

XEROX

XE SERIES PARTS GUIDE

XE60/XE62 XE80/XE82/XE84

CONTENTS

- [1] Exteriors
- [2] Operation Panel
- [3] General
- [4] Upper Frame Section (No. 1)
- [5] Lower Frame Section (No. 2)
- [6] Lower Frame (No. 2)
- [7] Fusing Unit
- [8] Scanner Unit
- [9] Carriage 1 Unit
- [10] Carriage 2 Unit
- [11] Packing Material & Accessories
- [12] MCU PWB Unit
- [13] Operation Panel PWB Unit
- [14] ICU PWB Unit (XE80, XE82, XE84)
- { 15 } Power Supply Unit
- Index

701P14330
9/98

DEFINITION

The definition of each Rank is as follows and also noted in the list

- A : Parts necessary to be stocked as High usage parts.
- B : Parts necessary to be stocked as Standard usage parts.
- C : Low usage parts.
- D : Parts necessary for refurbish.
- E : Unit parts recommended to be stocked for efficient after sales service.

Please note that the lead time for the said parts may be longer than normal parts.

S : Consumable parts.

Please note that the following parts used in Copier under the same description are classified into A or B Rank depending upon the place used.

Example: Gear made of Metal, Sprocket, Bearing, Belt made of Rubber, Spring clutch mechanism.

A Rank : The parts which may be with the revolution or loading.

B Rank : Parts similar to A Rank parts, but are not included in Rank A.

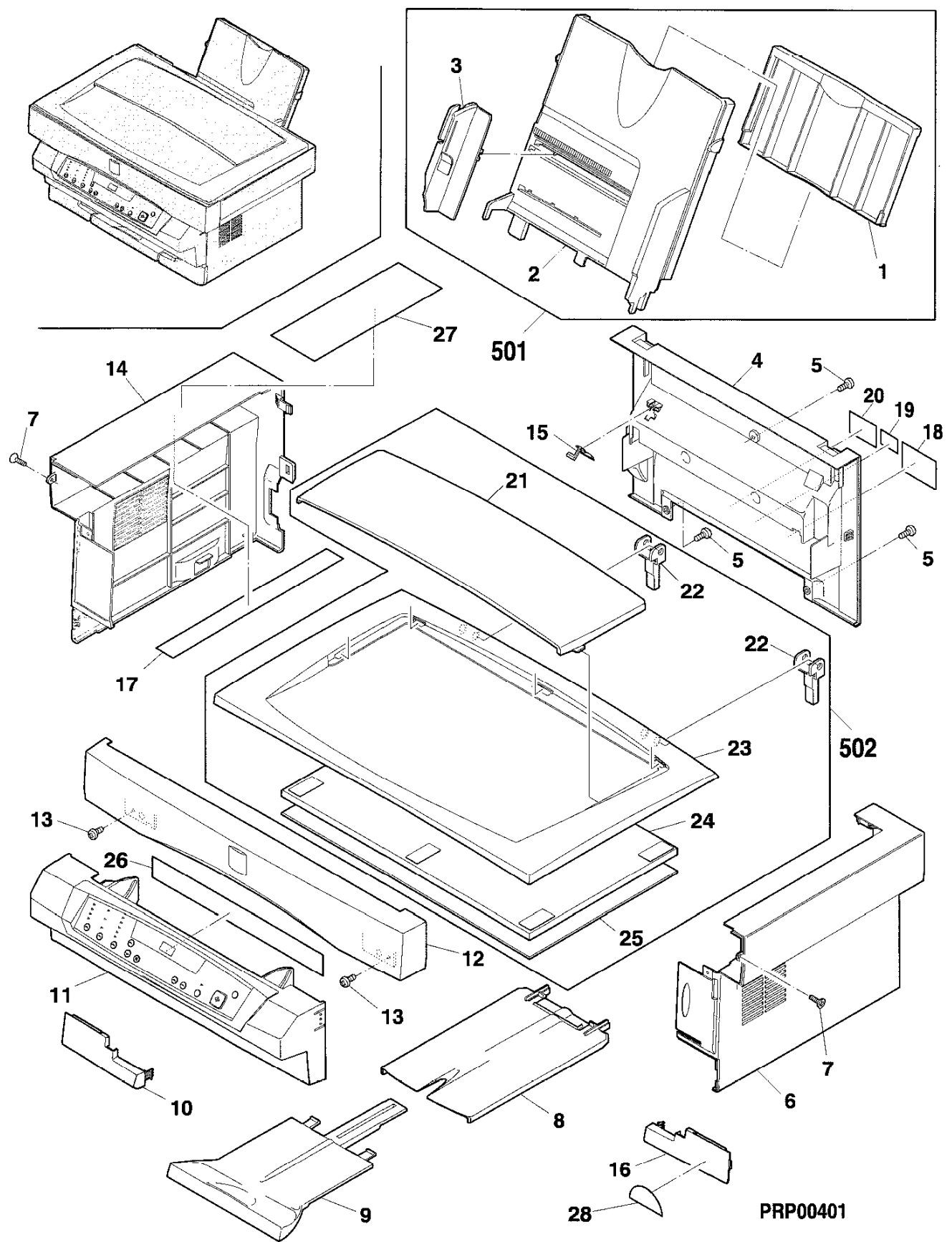
Because parts marked with "△" is indispensable for the machine safety maintenance and operation, it must be replaced with the parts specific to the product specification.

- Other than this Parts Guide, please refer to documents Service Manual of this model.
- Please use the 13 digit code described in the right hand corner of front cover of the document, when you place and order.
- For U.S. only-Use order codes provided in advertising literature. Do not order from parts department.

1 Exteriors

NO.	PARTS CODE	OEM CODE	PRICE RANK	NEW MARK	PART RANK	DESCRIPTION
1			AK		C	PU EX tray
2			AQ		C	PU tray
3		038E22360	AG	N	C	Paper guide
4		802E01010	AT	N	C	Rear cabinet (120V series)
			AX	N	C	Rear cabinet (230V series)
5			AA	N	C	Screw (3x8)
6		802E00990	AV	N	C	Rigth Cabinet (120V series)
			AZ	N	C	Rigth Cabinet (230V series)
7					C	Screw
8		050E15070	AM	N	C	Delivery Tray
9		050E15080	AN	N	C	Derivery extension Tray
10		802E01030	AK	N	C	Left Cabinet Lower (120V series)
			AL	N	C	Left Cabinet Lower (230V series)
		053E06010	BK	N	E	Operation panel unit (XE-60 120V series)
				N	E	Operation Panel unit (XE-60 230V series)
				N	E	Operation Panel unit (XE-62 120V series)
				N	E	Operation Panel unit (XE-62 230V series)
				N	E	Operation Panel unit (XE-80 120V series)
				N	E	Operation Panel unit (XE-80 230V series)
				N	E	Operation Panel unit (XE-82 120V series)
				N	E	Operation Panel unit (XE-82 230V series)
				N	E	Operation Panel unit (XE-84 230V series)
12		802E00980	AT	N	C	Front Cabinet (120V series)
			AT	N	C	Front Cabinet (230V series)
13			AA		C	Screw (3x10)
14		802E01000	AV	N	C	Left cabinet (120V series)
			AZ	N	C	Left cabinet (230V series)
15		120E19140	AD	N	C	Paper size Actuator
16		802E01020	AK	N	C	Rigth Cabinet Lower (120V series)
			AL	N	C	Rigth Cabinet Lower (230V series)
17			AG	N	C	Sheet
18		891E00470	AE		C	Service caution label
19			AC		C	Service man label (230V series)
20			AD		C	Class 1 Label (230V series)
21			AN		C	OC stacker (XE-60,XE-80,XE-84)
22			AE	N	C	OC hinge
23			AV	N	C	Original Cover (XE-60,XE-80,XE-84)
			AV	N	C	Original Cover (XE-62,XE-82)
24			AT	N	C	OC Mat
25		090E02150	AX	N	B	Original Table glass
26		891E75440	AH		C	Operation Label
27			AH	N	C	Platen Labcl
28		891E27220	AC		C	Energy star Label (XE80,XE82 U.S.A only)
501			AU	N	E	Paper feed unit (Include No.1 ~3)
502			BA	N	E	Original Cover unit (Include No.21 ~25)(XE-60/XE-80/XE-84)
			BA		E	Original Cover unit (Include NO.21 ~25)(XE-62,XE-82)

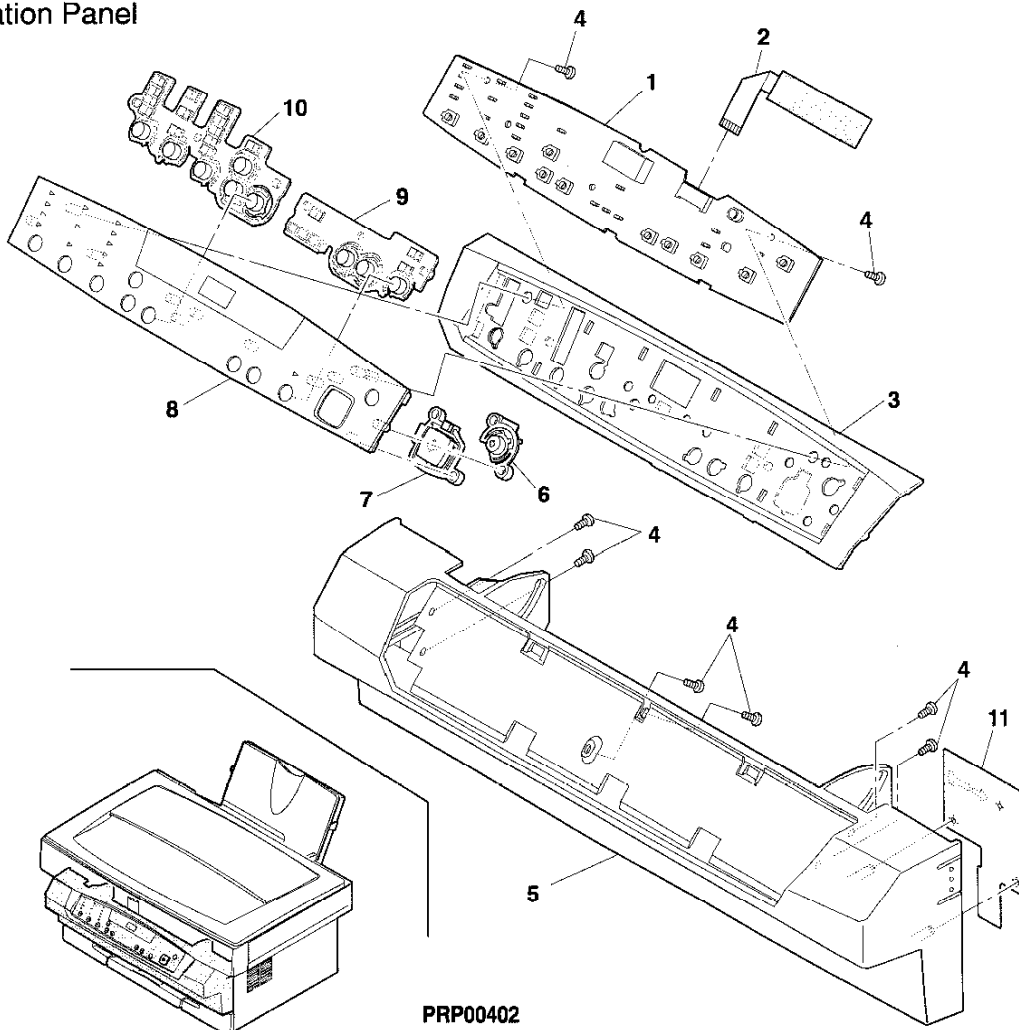
1 Exteriors



2 Operation Panel

NO.	PARTS CODE	OEM CODE	PRICE RANK	NEW MARK	PART RANK	DESCRIPTION
1			BA	N	E	Operation panel PWB unit (XE-60,XE-62)
			BA	N	E	Operation panel PWB unit (XE-80,XE-82,XE-84)
2		160K65790	AK	N	C	Operation FFC
3			AP	N	C	Filter Holder (120V series)
			AP	N	C	Filter Holder (230V series)
4		026E6413/	AA	N	C	Screw (3x8)
5			AU	N	C	Operation panel Cabinet (120V series)
			AY	N	C	Operation panel Cabinet (230V series)
6		003N00669	AF	N	C	Clear Key
7		003N00673	AF	N	C	Copy Key
			AR	N	C	Operation Panel (XE-60)
			AR	N	C	Operation Panel (XE-62)
8			AR	N	C	Operation Panel (XE-80)
			AR	N	C	Operation Panel (XE-82)
				N	C	Operation Panel (XE-84)
9			AG	N	C	Operation Key R
10			AK	N	C	Operation Key L
11			AF	N	C	Cable cover sheet
		053E06010	BK	N	E	Operation Panel unit (XE-60 120V series)
				N	E	Operation Panel unit (XE-60 230V series)
				N	E	Operation Panel unit (XE-62 120V series)
				N	E	Operation Panel unit (XE-62 230V series)
901				N	E	Operation Panel unit (XE-80 120V series)
				N	E	Operation Panel unit (XE-80 230V series)
				N	E	Operation Panel unit (XE-82 120V series)
				N	E	Operation Panel unit (XE-82 230V series)
				N	E	Operation Panel unit (XE-84 230V series)

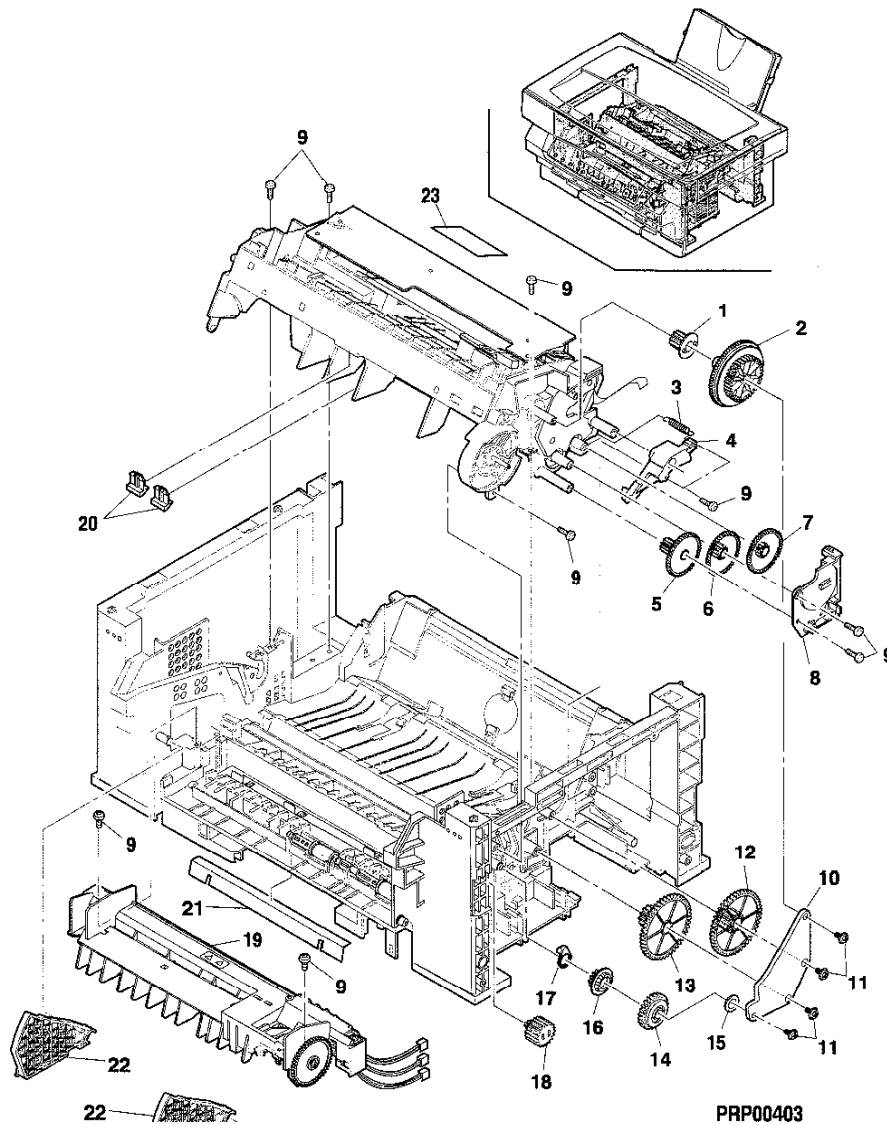
2 Operation Panel



3 General

NO.	PARTS CODE	OEM CODE	PRICE RANK	NEW MARK	PART RANK	DESCRIPTION
1			AC		C	DV idle gear B
2			AG	N	C	DV idle gear A
3			AA		C	Lock lever spring
4	011E09070		AG	N	C	Release Lever
5			AC		C	PU idle gear C
6			AD		C	PU idle gear B2
7			AC		C	PU idle gear A
8			AD		C	PU gear cover
9	026E6413/		AA		C	Screw (3x8)
10			AD		C	Gear plate
11	026E64270		AA		C	Screw (3x8X)
12			AC		C	Motor idle gear
13			AD		C	DR idle gear A
14	007E55490		AC		C	FU clutch gear A
15			AA		C	Washer (φ6.2-12 t=0.25)
16	007E55480		AC		C	FU clutch gear B
17			AB		C	FU clutch lever
18			AF		C	FU idle gear
19			BK	N	E	Fusing unit (120V series)
20			BK	N	E	Fusing unit (230V series)
21			AD		C	DV protect
22	011E09040		AG	N	C	Delivery tray sheet
23			AC		C	Laser Label (230V series)

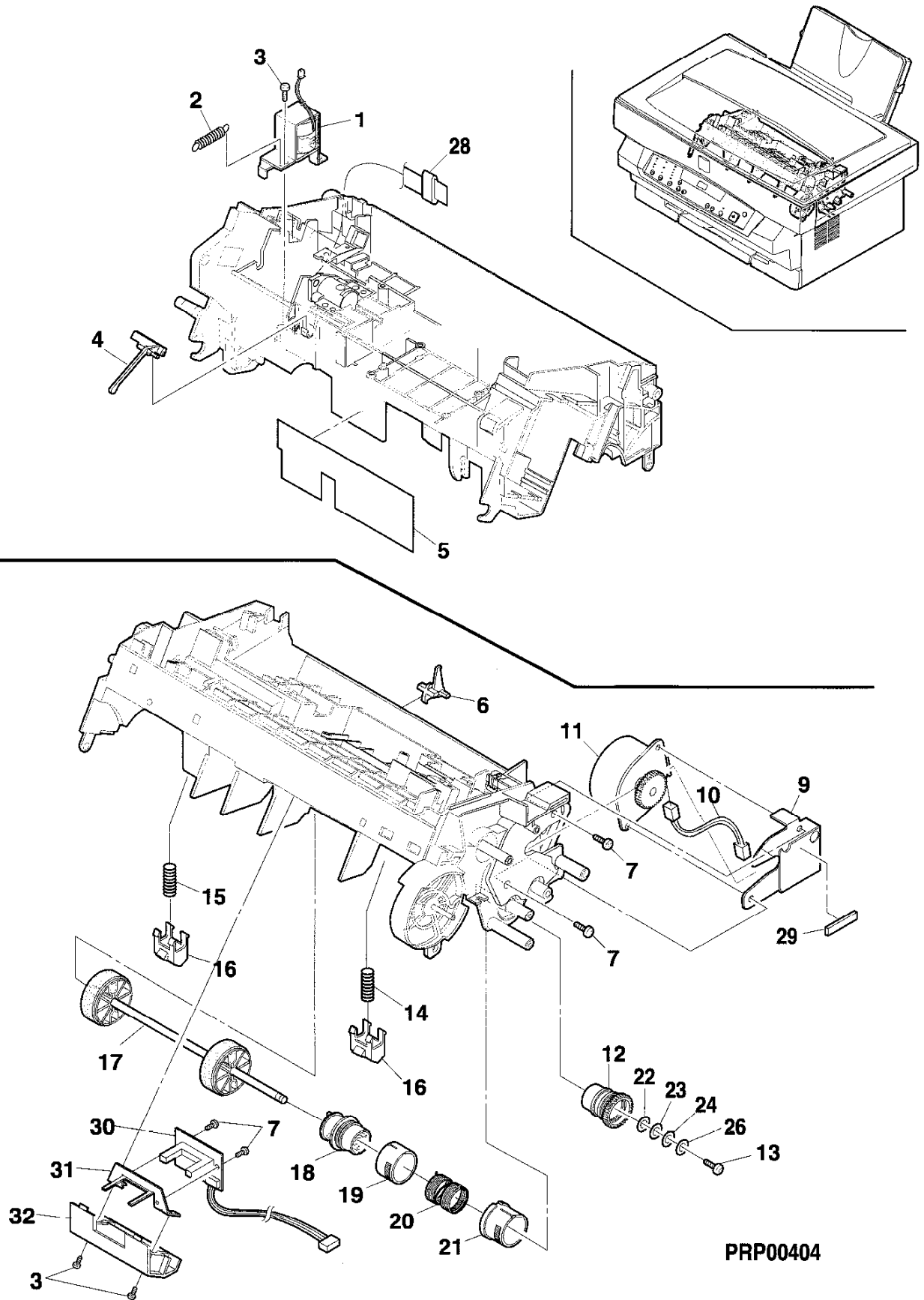
3 General



4 Upper Frame Section

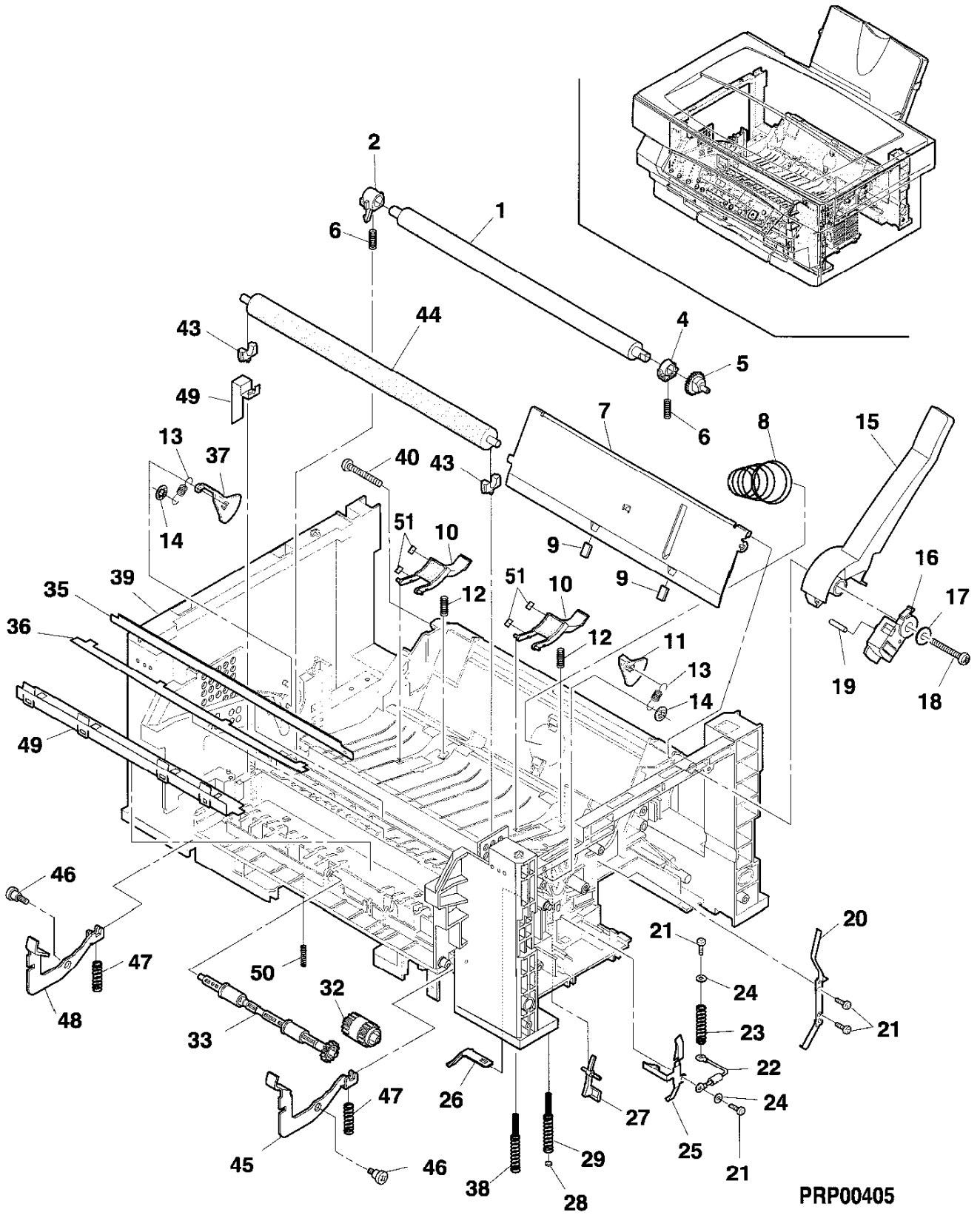
NO.	PARTS CODE	OEM CODE	PRICE RANK	NEW MARK	PART RANK	DESCRIPTION
1			AN		B	PU solenoid 24V
2			AB		C	Release lever spring
3		026E6413/	AA		C	Screw (3x8)
4		011E07890	AC		C	PE lever
5			AF		C	Shading sheet 1
6			AE		C	Sleeve release lever
7			AA		C	Screw (3x6)
9			AF		C	MM heat sink
10			AF		C	MM harness
11		127E11880	AZ		B	Main motor
12		007E55460	AE		C	PU roller gear
13		026E46000	AA		C	Screw (3x8KS)
14			AB		C	DV press spring
15			AA		C	DV press spring
16			AC		C	DV fixer plate
17		022E22650	AR		C	PU roller N
18		022E22660	AE		C	PU roller boss
19		016E14130	AC		C	R sleeve
20		809E14150	AC		C	PU clutch spring
21		016E14120	AC		C	PU clutch sleeve
22			AC		C	Washer (T0.133)
23			AC		C	Washer (T0.25)
24			AC		C	Washer (T0.5)
26			AC		C	Spacer (T0.1)
28			AH		C	Core (NQF25/20)
29			AB		C	FFC Protector
30			AQ	N	E	Toner sensor PWB unit
31			AC	N	C	Toner sensor plate
32			AK	N	C	Toner sensor cover
901			BV	N	E	Upper Frame unit (120V series)
		1K72070	BV	N	E	Upper Frame unit (230V series)

4 Upper Frame Section



PRP00404

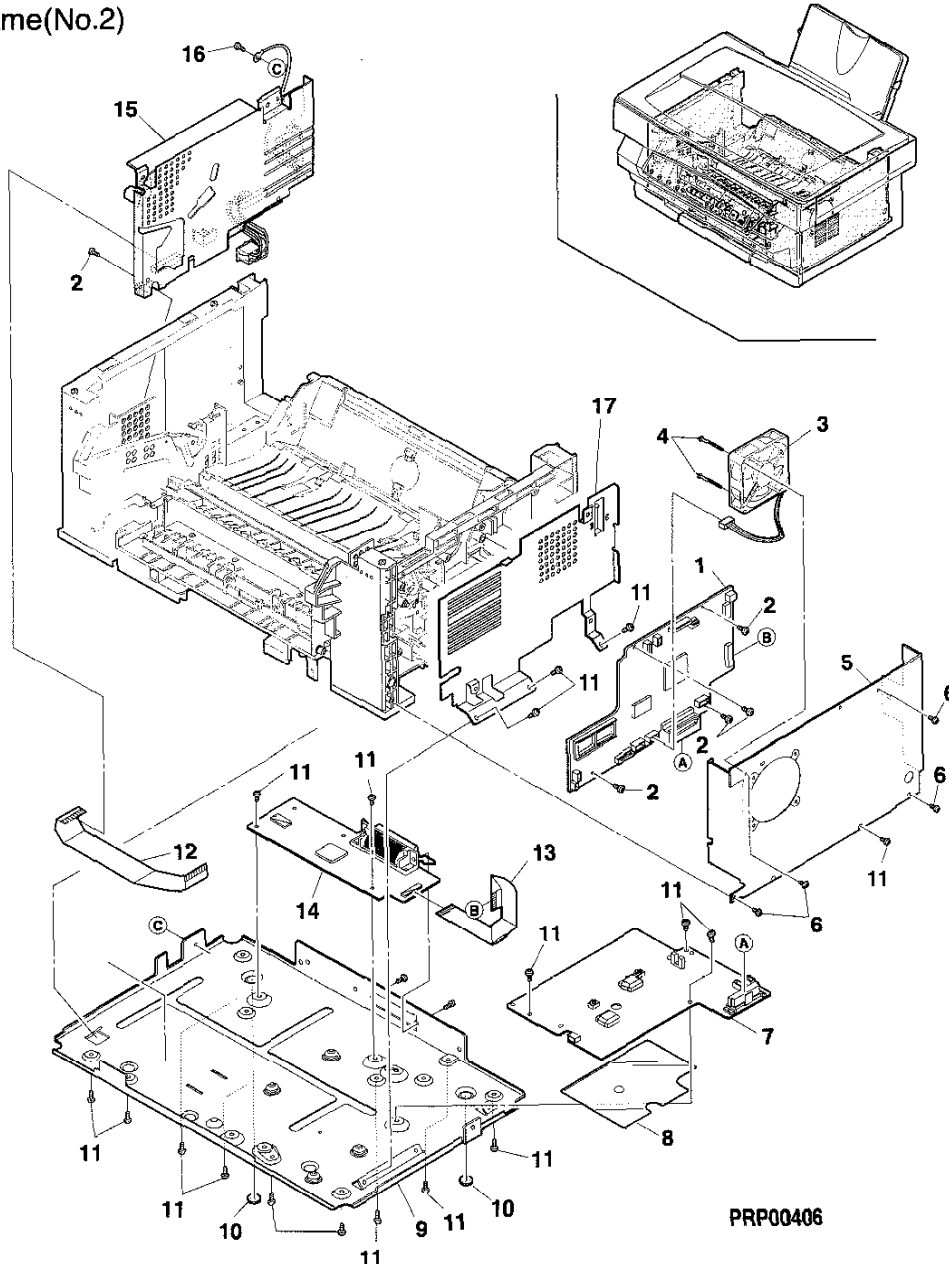
5 Lower Frame Section(No.1)



6 Lower Frame(No.2)

NO.	PARTS CODE	OEM CODE	PRICE RANK	NEW MARK	PART RANK	DESCRIPTION	
1				BT	N	E	MCU PWB unit
2		026E64180		AA		C	Screw (3x8)
3				AY	N	D	Fan Motor
4					N	C	Screw (3x28)
5				AL	N	C	PWB Shield plate
6		026E6413/		AA		C	Screw (3x8)
7				BE	N	E	High voltage PWB unit
8				AD	N	C	Shield Sheet
9				AQ	N	C	Bottom Plate (XE-60,XE-62)
				AQ	N	C	Bottom Plate (XE-80,XE-82,XE-84)
10				AB		C	Rubber foot
11				AA		C	Screw (3x6)
12		160K55800		AF	N	C	Power Supply PWB FFC
13		162K50360		AG	N	C	ICU-FFC (XE-80,XE-82,XE-84)
14				CF	N	E	ICU PWB unit (XE-80,XE-82,XE-84)
15		160K55740		BM	N	E	Power Supply unit (120V series)
		160K55750		BP	N	E	Power Supply unit (230V series)
16				AA		C	Screw (4x6K)
17				AL	N	C	Main PWB Shield angle

6 Lower Frame(No.2)

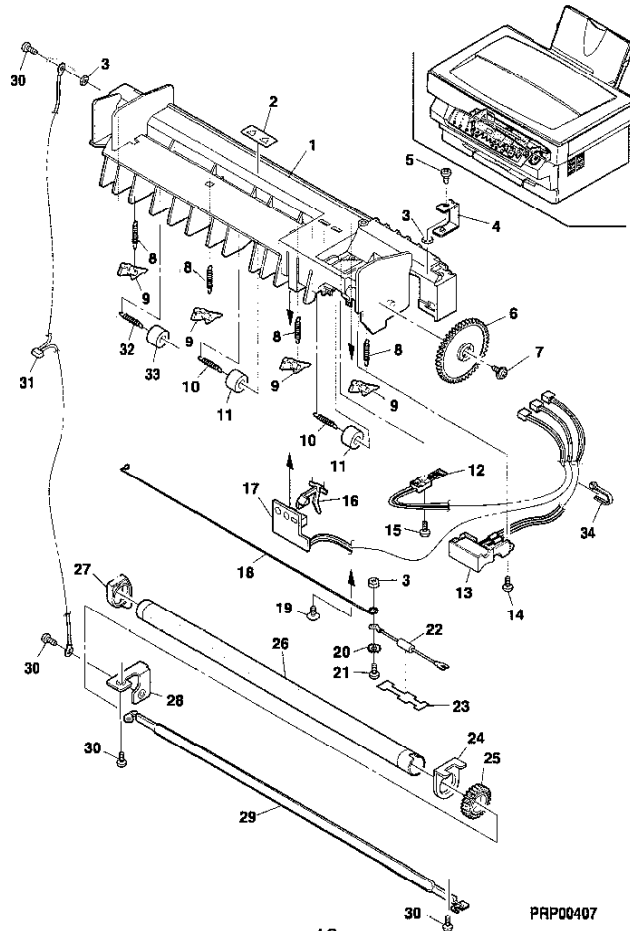


PRP00406

7 Fusing unit

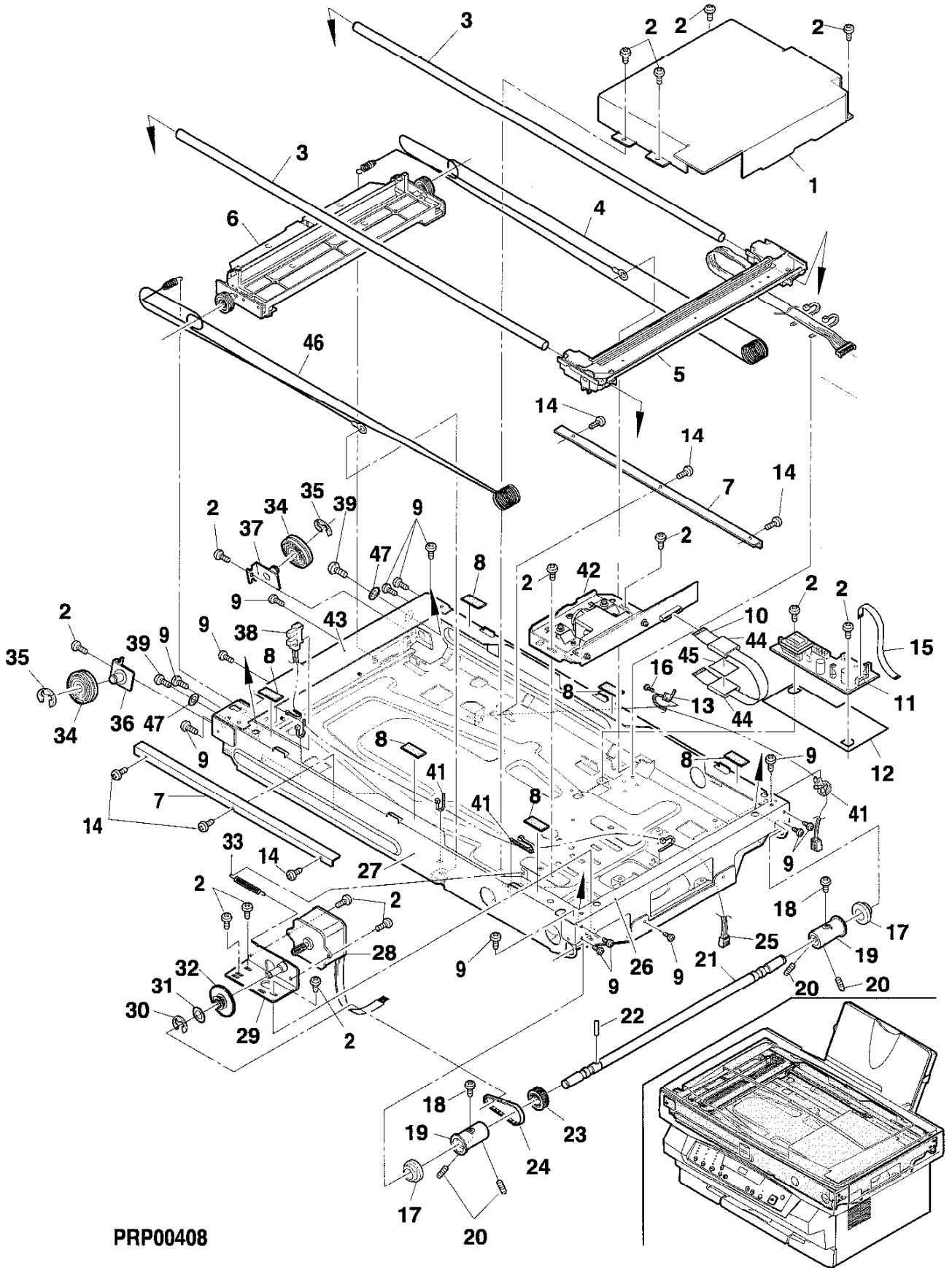
NO.	PARTS CODE	OEM CODE	PRICE RANK	NEW MARK	PART RANK	DESCRIPTION
1			AV	N	C	Fusing Cover
2			AC		C	H.THP Label
3			AC		C	Nut (M3)
4			AD		C	FU terminal
5			AA		C	Screw (3x6KS)
6			AD		C	PO idle gear
7		026E64260	AA		C	Screw (3x8X)
8			AA		C	FU separator spring
9			AF		C	Separator pawl
10			AC		C	FU roller spring
11		022E22670	AC		C	FU roller-B
12			AP		B	Thermistor
13				N	E	Fuse Ass'y
14		026E6413/	AA		C	Screw (3x8)
15			AA		C	Screw (3x10)
16		011E09050	AE	N	C	PO Actuator
17			AH	N	E	POD PWB unit
18			AD		C	FU bar
19			AA		C	Screw (3x4X)
20			AA		C	Washer (3W)
21			AB		C	Screw (3x5)
22			AQ		A	Fuse
23			AC		C	FU sheet C
24			AE		C	FU bearing R
25			AC		C	Fusing gear (27T)
26			AW		C	FU roller
27			AB		C	FU bearing
28			AD		C	AC terminal C
29			AX		B	FU lamp (120V series)
30			AW		B	FU Lamp (230V series)
31			AA		C	Screw (3x5K)
32			AH	N	C	Lamp Harness (120V series)
33			AG	N	C	Lamp Harness (230V series)
34			AA		C	PF guide Spring
			AD		C	PU guide roller
			AA		C	Wire band
901			BK	N	E	Fusing unit (120V series)
			BK	N	E	Fusing unit (230V series)

7 Fusing unit



PRP00407

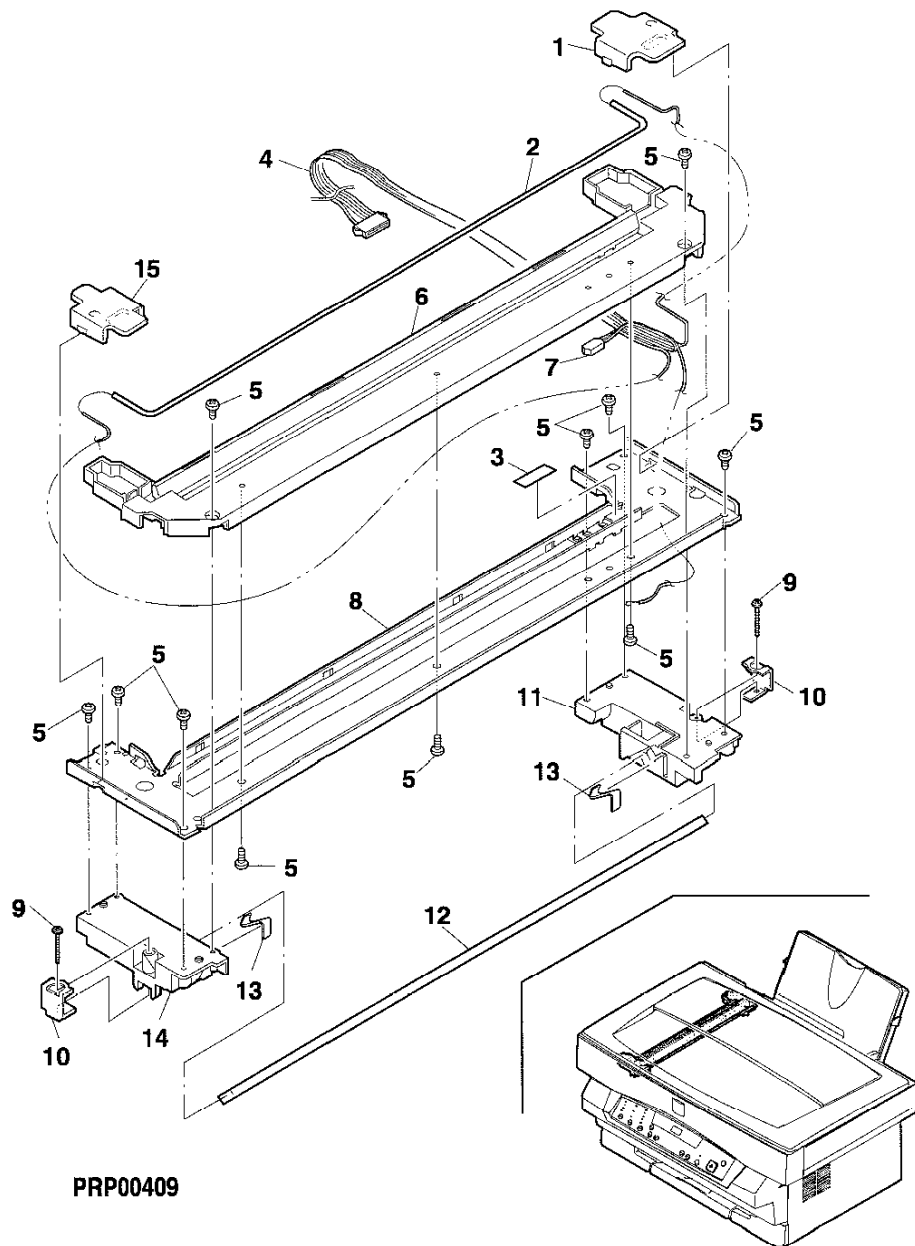
8 Scanner unit



9 Carriage 1 unit

NO.	PARTS CODE	OEM CODE	PRICE RANK	NEW MARK	PART RANK	DESCRIPTION
1			AE	N	C	Lamp Terminal Protect Sheet L
2			AU	N	B	Lamp
3			AA	N	C	Protect Sheet
4			BA	N	C	Lamp Harness
5			AA	N	C	Screw (2x5)
6			AL	N	C	Lamp Base
7			AL	N	B	Photo transistor (BS520)
8			AH	N	C	Carriage 1
9				N	C	Screw (2x16KS)
10			AD	N	C	Wire Holder
11			AE	N	C	Carriage 1 base L
12		062E09070	AL	N	B	Mirror 1
13			AC	N	C	Mirror 1 Holder Spring
14			AE	N	C	Carriage 1 Base R
15			AE	N	C	Lamp Terminal Protect Sheet R
901			BE	N	E	Carriage 1 unit

9 Carriage 1 unit

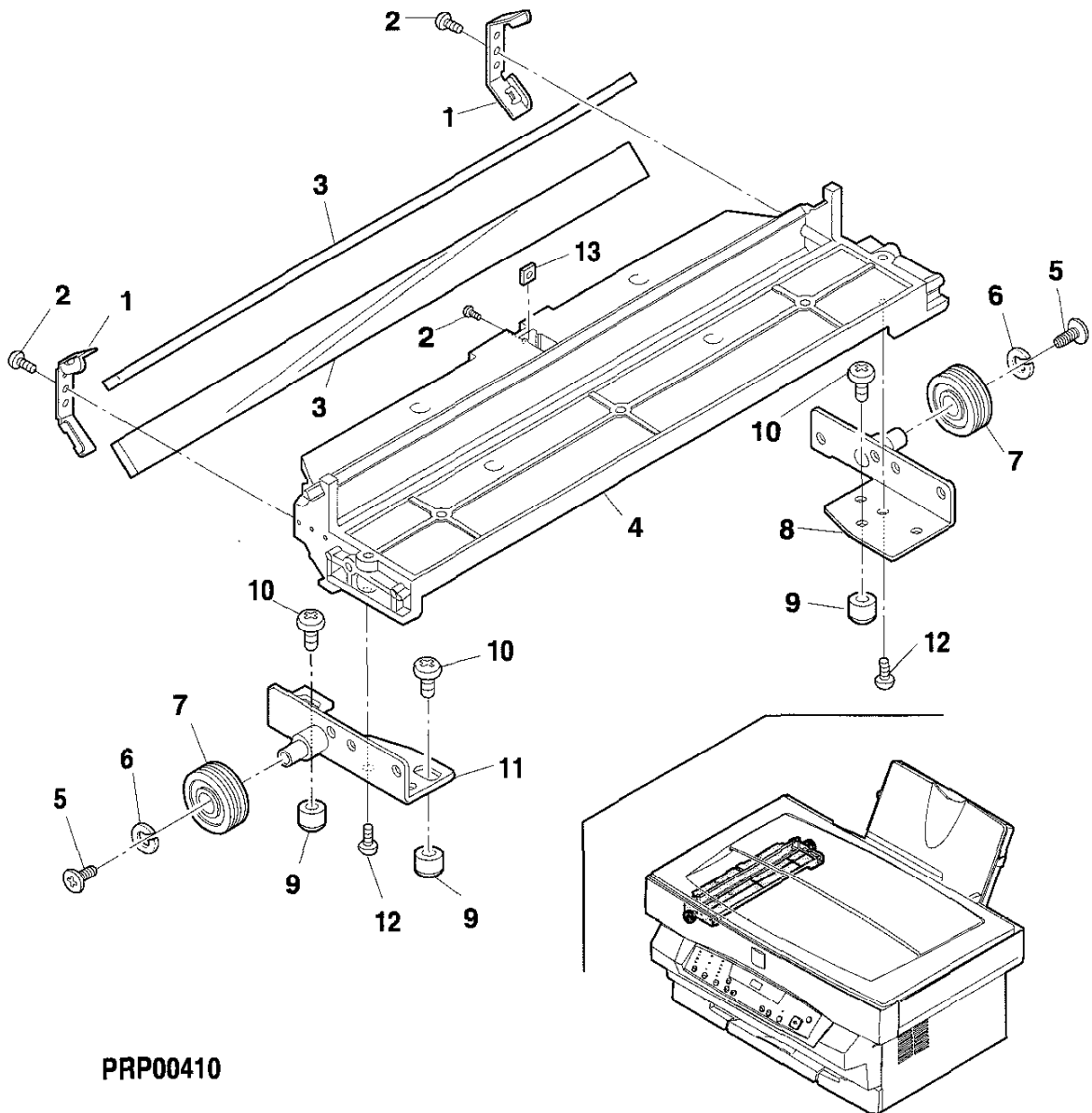


PRP00409

10 Carriage 2 unit

NO.	PARTS CODE	OEM CODE	PRICE RANK	NEW MARK	PART RANK	DESCRIPTION
1			AD	N	C	2,3 Mirror Holder
2			AA		C	Screw (2x5)
3		062C09080	AN	N	B	3rd Mirror
4			AP	N	C	Carriage 2
5			AA		C	Screw (4x6)
6			AA		C	Washer
7			AG		C	W Pulley
8			AH	N	C	Carriage 2 Base L
9			AF		C	Slider (4pcs/set)
10		026E64140	AA		C	Screw (4x6)
11			AH	N	C	Carriage 2 Base R
12			AA		C	Screw (3x8)
13			AA	N	C	Nut
901			BC	N	E	Carriage 2 unit

10 Carriage 2 unit

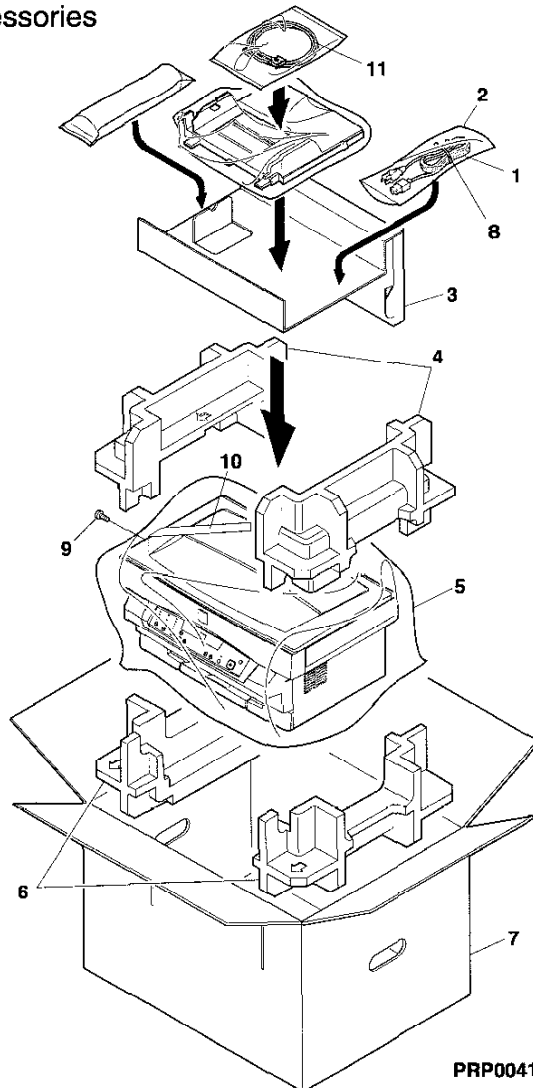


PRP00410

11 Packing Material & Accessories

NO.	PARTS CODE	OEM CODE	PRICE RANK	NEW MARK	PART RANK	DESCRIPTION
1		117E19330	AQ		B	AC Cable (120V series)
2			AA		D	Vinyl bag (140x260mm)(120V series)
3			AF	N	D	Packing add for Accessories
4			AM	N	D	Packing add Upper
5			AG		D	Body vinyl sheet
6			AM	N	D	Packing add Lower
7			AS	N	D	Packing Case (XE-60 U.S.A)
			AS	N	D	Packing Case (XE-60 Europe)
			AS	N	D	Packing Case (XE-60 other countries)
			AS	N	D	Packing Case (XE-62 U.S.A)
			AS	N	D	Packing Case (XE-62 Europe)
			AS	N	D	Packing Case (XE-62 other countries)
			AS	N	D	Packing Case (XE-80 U.S.A)
			AS	N	D	Packing Case (XE-80 Europe)
			AS	N	D	Packing Case (XE-80 other countries)
			AS	N	D	Packing Case (XF-82 U.S.A)
			AS	N	D	Packing Case (XE-82 Europe)
			AS	N	D	Packing Case (XE-82 other countries)
		AS	N	D	Packing Case (XE-84 Europe)	
		AS	N	D	Packing Case (XE-84 other countries)	
8			AA		C	Cable band (120V series)
9		026E72770	AC		C	Screw for scanner
10			AH	N	D	Scanner Lock tag
11		117E19340	AY		C	Centro Cable (XE-80,XE-82,XE-84)
101		695S01415	AC	N	D	Shipping Protection for CRU
102				N	D	Operation manual (XE-60,62)
				N	D	Operation manual (XE-80,82,84)

11 Packing Material & Accessories



PRP00411

12 MCU PWB unit

NO.	PARTS CODE	OEM CODE	PRICE RANK	NEW MARK	PART RANK	DESCRIPTION
1			AA		C	Capacitor (16WV 22μF) [C001-5]
2			AA		C	Capacitor (35WV 10μF) [C006]
3			AA		C	Capacitor (16WV 22μF) [C007]
4			AB		C	Capacitor (50WV 47μF) [C008]
5			AA		C	Capacitor (35WV 10μF) [C009-15,C17]
6			AB		C	Capacitor (25WV 47μF) [C016]
7			AA		C	Capacitor (35WV 10μF) [C017]
8			AA		C	Capacitor (50WV 1000pF) [C101-103]
9			AA		C	Capacitor (25WV 0.10μF) [C104]
10			AA		C	Capacitor (50WV 1000pF) [C105-115]
11			AA		C	Capacitor (25WV 0.10μF) [C116]
12			AA		C	Capacitor (50WV 0.022μF) [C117]
13			AA		C	Capacitor (50WV 1000pF) [C118]
14			AA		C	Capacitor (25WV 0.10μF) [C119]
15			AA		C	Capacitor (50WV 1000pF) [C120]
16			AA		C	Capacitor (25WV 0.10μF) [C121]
17			AA		C	Capacitor (50WV 0.10μF) [C122,123]
18			AA		C	Capacitor (25WV 0.10μF) [C124-126]
19			AA		C	Capacitor (50WV 100pF) [C127,128]
20			AA		C	Capacitor (50WV 33PF) [C129,130]
21			AA		C	Capacitor (50WV 1000pF) [C131]
22			AA		C	Capacitor (25WV 0.10μF) [C132,133]
23			AA		C	Capacitor (50WV 0.022μF) [C134]
24			AA		C	Capacitor (50WV 100pF) [C135]
25			AA		C	Capacitor (50WV 10PF) [C136,137]
26			AA		C	Capacitor (50WV 1000pF) [C138,139]
27			AA		C	Capacitor (50WV 0.10μF) [C140]
28			AA		C	Capacitor (50WV 100pF) [C141,142]
29			AA		C	Capacitor (50WV 0.022μF) [C143]
30			AA		C	Capacitor (25WV 0.10μF) [C144]
31			AA		C	Capacitor (50WV 100pF) [C145-156]
32			AA		C	Capacitor (25WV 0.10μF) [C157]
33			AA		C	Capacitor (50WV 1000pF) [C159]
34			AA		C	Capacitor (50WV 100pF) [C160]
35			AA		C	Capacitor (25WV 0.10μF) [C161]
36			AA		C	Capacitor (50WV 4700PF) [C162]
37			AA		C	Capacitor (25WV 0.10μF) [C163-165]
38			AA		C	Capacitor (25WV 0.10μF) [C168,169]
39			AA		C	Capacitor (50WV 100pF) [C170,171]
40			AA		C	Capacitor (25WV 0.10μF) [C172,173]
41			AA		C	Capacitor (50WV 100pF) [C174-181]
42			AA		C	Capacitor (25WV 0.10μF) [C182-186]
43			AA		C	Capacitor (50WV 0.10μF) [C187]
44			AA		C	Capacitor (50WV 12PF) [C188]
45			AA		C	Capacitor (25WV 0.10μF) [C189]
46			AA		C	Capacitor (50WV 0.022μF) [C191-193]
47			AA		C	Capacitor (25WV 0.10μF) [C192]
48			AA		C	Capacitor (25WV 0.10μF) [C194-199]
49			AB		C	Capacitor (50WV 470PF) [C200]
50			AA		C	Capacitor (50WV 2200PF) [C201]
51			AA		C	Capacitor (50WV 0.10μF) [C202]
52			AA		C	Capacitor (25WV 0.10μF) [C205-209]
53			AA		C	Capacitor (50WV 0.10μF) [C210]
54			AA		C	Capacitor (25WV 0.10μF) [C212-214]
55			AA		C	Capacitor (50WV 2200PF) [C215]
56			AB		C	Capacitor (50WV 470PF) [C216]
57			AA		C	Capacitor (50WV 1000pF) [C217,218]
58			AA		C	Capacitor (25WV 0.10μF) [C219]
59			AA		C	Capacitor (50WV 1000pF) [C220-223]
60			AA		C	Capacitor (25WV 0.10μF) [C224]
61			AA		C	Capacitor (50WV 0.10μF) [C225]
62			AA		C	Capacitor (50WV 1000pF) [C227]
63			AA		C	Capacitor (50WV 2200PF) [C228]
64			AA		C	Capacitor (50WV 1000pF) [C229-234]
65			AA		C	Capacitor (25WV 0.10μF) [C235]
66			AA		C	Capacitor (50WV 0.10μF) [C236]
67			AA		C	Capacitor (50WV 1000pF) [C237,238]
68			AA		C	Capacitor (25WV 0.10μF) [C239,240]
69			AA		C	Capacitor (50WV 2200PF) [C241]
70			AA		C	Capacitor (50WV 33PF) [C243]
71			AA		C	Capacitor (50WV 100pF) [C244]
72			AC		C	Connector (12pin) [CN01]
73			AD		C	Connector (2pin) [CN02]
74			AB		C	Connector (6pin) [CN03]
75			AB		C	Connector (5pin) [CN04]
76			AB		C	Connector (5pin) [CN06]
77			AA		C	Connector (3pin) [CN07]
78			AE	N	C	Connector (20pin) [CN08]
79			AD		C	Connector (9pin) [CN09]
80			AB		C	Connector (4pin) [CN10]

12 MCU PWB unit

NO.	PARTS CODE	OEM CODE	PRICE RANK	NEW MARK	PART RANK	DESCRIPTION	
81			AE	N	C	Connector (5pin)	[CN11]
82			AA		C	Connector (3pin)	[CN12]
83			AB		C	Connector (2pin)	[CN13]
84			AE		C	Connector (22pin)	[CN14]
85			AG	N	C	Connector	[CN15]
86			AB		B	Diode (1SS355)	[D001]
87			AB	N	B	Diode (IN4005E)	[D002]
88			AC		B	Diode (DA204K)	[D101-104]
89			AC		B	Diode (DAN217)	[D105,106]
90			AC		B	Diode (DA204K)	[D107-111]
91			AB		B	Diode (DAN202K)	[D112]
92			AC		B	Diode (DA204K)	[D113-115]
93			AB		B	Diode (1SS355)	[D117]
94			AE		C	EMI filter (NFM839R02C470R101)	[EF1-3]
95			AG		B	IC (M24C02WBN6)	[IC001]
96			AN	N	B	IC (341256SJ12)	[IC002,3]
97			AF		B	IC (M51953BL)	[IC004]
98			AY		B	IC (H8S/2350FP)	[IC005]
99			AD		C	IC socket (40pin)	[IC006]
100			AW		B	IC (27C1024-80)	[IC006]
101			BE		B	IC (HG73C025FD)	[IC008]
102			AN	N	B	IC (341256SJ12)	[IC011,12]
103			AQ		B	IC (SLA7027MU)	[IC013]
104			AM		B	IC (TC74HC244F)	[IC101]
105			AD		B	IC (TC74HC04FN)	[IC102]
106			AE		B	IC (TC74HC08F1)	[IC103]
107			AC		B	IC (TC74HC32AF)	[IC104]
108			AT		B	IC (M66236FP)	[IC105]
109			AD		B	IC (NJM2903M)	[IC106]
110			AC		B	IC (LM358PS)	[IC107]
111			AF		B	IC (NJM3414M)	[IC108]
112			AF		B	IC (SN74LS07NS)	[IC109]
113			AQ	N	B	IC (LM7121)	[IC110]
114			AD		B	IC (74HC4066AF)	[IC111]
115			AU		B	IC (LH50506N)	[IC112]
116		108N00367	AF	N	B	IC Protector (ICPN38)	[ICP1]
117			AD		C	Coil (SBO 02SAN)	[L1-5]
118			AB		B	Transistor (2SA1036KQRC)	[Q101]
119			AB		C	Resistor (2W 1.0Ω ±5%)	[R001,2]
120			AA		C	Resistor (1/8W 4.7KΩ ±5%)	[R101]
121			AA		C	Resistor (1/16W 47KΩ ±5%)	[R102]
122			AA		C	Resistor (1/16W 10KΩ ±5%)	[R103]
123			AA		C	Resistor (1/16W 20KΩ ±5%)	[R104]
124			AA		C	Resistor (1/16W 10KΩ ±5%)	[R105,106]
125			AA		C	Resistor (1/16W 1KΩ ±5%)	[R107-109]
126			AA		C	Resistor (1/16W 10KΩ ±5%)	[R110,111]
127			AA		C	Resistor (1/16W 1KΩ ±5%)	[R112]
128			AA		C	Resistor (1/16W 100Ω ±5%)	[R113]
129			AA		C	Resistor (1/16W 10KΩ ±5%)	[R114]
130			AA	N	C	Resistor (1/8W 4.3KΩ ±5%)	[R115]
131			AA		C	Resistor (1/8W 180Ω ±5%)	[R116]
132			AA		C	Resistor (1/16W 10Ω ±5%)	[R117]
133			AA		C	Resistor (1/16W 1KΩ ±5%)	[R118]
134			AA		C	Resistor (1/16W 9.1KΩ ±5%)	[R119]
135			AA		C	Resistor (1/16W 33KΩ ±5%)	[R120]
136			AA		C	Resistor (1/16W 1KΩ ±5%)	[R121]
137			AA		C	Resistor (1/16W 20KΩ ±5%)	[R122]
138			AA		C	Resistor (1/16W 910Ω ±5%)	[R123]
139			AA		C	Resistor (1/16W 10KΩ ±5%)	[R124]
140			AA		C	Resistor (1/16W 100Ω ±5%)	[R125]
141			AA		C	Resistor (1/16W 20KΩ ±5%)	[R126]
142			AA		C	Resistor (1/16W 10KΩ ±5%)	[R127]
143			AA		C	Resistor (1/16W 330Ω ±5%)	[R128]
144			AA		C	Resistor (1/16W 1KΩ ±5%)	[R129]
145			AA		C	Resistor (1/16W 3.3KΩ ±5%)	[R130]
146			AA		C	Resistor (1/16W 68Ω ±5%)	[R131]
147			AA		C	Resistor (1/16W 3.3KΩ ±5%)	[R132]
148			AA		C	Resistor (1/16W 10KΩ ±5%)	[R134-141]
149			AA		C	Resistor (1/16W 47Ω ±5%)	[R142]
150			AA		C	Resistor (1/16W 22Ω ±5%)	[R143]
151			AA		C	Resistor (1/16W 2.0MΩ ±5%)	[R144]
152			AA		C	Resistor (1/16W 1.8KΩ ±5%)	[R145]
153			AA		C	Resistor (1/16W 10KΩ ±5%)	[R146]
154			AA		C	Resistor (1/16W 2.0MΩ ±5%)	[R147]
155			AA		C	Resistor (1/16W 1.2KΩ ±5%)	[R148]
156			AA		C	Resistor (1/16W 7.5KΩ ±5%)	[R149]
157			AA		C	Resistor (1/16W 1.65KΩ ±1%)	[R150]
158			AA		C	Resistor (1/16W 1KΩ ±5%)	[R151]
159			AA		C	Resistor (1/16W 100Ω ±5%)	[R152]
160			AA		C	Resistor (1/16W 10KΩ ±5%)	[R153]

12 MCU PWB unit

NO.	PARTS CODE	OEM CODE	PRICE RANK	NEW MARK	PART RANK	DESCRIPTION
161			AA		C	Resistor (1/16W 47KΩ ±5%) [R157]
162			AA	N	C	Resistor (1/16W 2.4KΩ ±5%) [R158]
163			AA		C	Resistor (1/16W 620Ω ±5%) [H159,160]
164			AA		C	Resistor (1/16W 0Ω ±5%) [R161,162]
165			AA		C	Resistor (1/16W 270Ω ±5%) [R163]
166			AA		C	Resistor (1/16W 10KΩ ±5%) [R167-174]
167			AA	N	C	Resistor (1/16W 2.4KΩ ±5%) [R175]
168			AA		C	Resistor (1/16W 100Ω ±5%) [R176]
169			AA		C	Resistor (1/16W 750Ω ±5%) [R177]
170			AA		C	Resistor (1/16W 10KΩ ±5%) [R179]
171			AA		C	Resistor (1/16W 100Ω ±5%) [R180]
172			AA		C	Resistor (1/16W 0Ω ±5%) [R181]
173			AA		C	Resistor (1/16W 47KΩ ±5%) [R182]
174			AA		C	Resistor (1/16W 1KΩ ±5%) [R183]
175			AA		C	Resistor (1/16W 20KΩ ±5%) [R184]
176			AA		C	Resistor (1/16W 0Ω ±5%) [R185,186]
177			AA		C	Resistor (1/8W 100Ω ±5%) [R188]
178			AA		C	Resistor (1/16W 100Ω ±5%) [R189]
179			AA		C	Resistor (1/16W 1KΩ ±5%) [R190]
180			AA		C	Resistor (1/16W 680Ω ±5%) [R191]
181			AA		C	Resistor (1/16W 0Ω ±5%) [R192]
182			AA		C	Resistor (1/16W 20KΩ ±5%) [R193]
183			AA		C	Resistor (1/16W 0Ω ±5%) [R194]
184			AA		C	Resistor (1/16W 1KΩ ±5%) [R195]
185			AA		C	Resistor (1/16W 10KΩ ±5%) [R196]
186			AA		C	Resistor (1/16W 10KΩ ±1%) [R197,198]
187			AA		C	Resistor (1/16W 10Ω ±5%) [R199]
188			AA		C	Resistor (1/16W 680Ω ±5%) [R200]
189			AA		C	Resistor (1/16W 0Ω ±5%) [R201]
190			AB		B	Block resistor (47Ω×4 1/32W ±5%) [RA01]
191			AB		B	Block resistor (10kΩ×4 ±5%) [RA02-5]
192			AB		B	Block resistor (47Ω×4 1/32W ±5%) [RA06]
193			AB		B	Block resistor (10kΩ×4 ±5%) [RA07-9]
194			AB		B	Block resistor (47Ω×4 1/32W ±5%) [RA10]
195			AB		B	Block resistor (10kΩ×4 ±5%) [RA11]
196			AB		B	Block resistor (47Ω×4 1/32W ±5%) [RA12]
197			AB		B	Block resistor (10kΩ×4 ±5%) [RA13,14]
198			AB		B	Block resistor (47Ω×4 1/32W ±5%) [RA15,16]
199			AB		B	Block resistor (10kΩ×4 ±5%) [RA17]
200			AB		B	Block resistor (47Ω×4 1/32W ±5%) [RA18,19]
201			AB		B	Block resistor (10kΩ×4 ±5%) [RA20]
202			AB		B	Block resistor (47Ω×4 1/32W ±5%) [RA21]
203			AB		B	Block resistor (10kΩ×4 ±5%) [RA22-24]
204			AB		B	Block resistor (47Ω×4 1/32W ±5%) [RA25-28]
205			AB		B	Block resistor (10kΩ×4 ±5%) [RA29]
206			AB		B	Block resistor (47Ω×4 1/32W ±5%) [RA30]
207			AB		B	Block resistor (10kΩ×4 ±5%) [RA31-34]
208			AB		B	Block resistor (22Ω×4 ±5%) [RA35,36]
209			AG	N	B	Crystal [X1]
210			AP	N	B	Crystal [X2]
211			AB		B	Zener diode (RLZ2.0A) [ZD3]
901			BT	N	E	MCU PWB unit

13 Operation Panel PWB unit

NO.	PARTS CODE	OEM CODE	PRICE RANK	NEW MARK	PART RANK	DESCRIPTION
1			AC		B	LED (MPG3864K) [1ENH]
2			AC		B	LED (MPG3864K) [1RE]
3			AC		B	LED (MPG3864K) [2ENR]
4			AC		B	LED (MPG3864K) [2RE]
5			AC		B	LED (MPG3864K) [AE]
6			AC		B	LED (MPG3864K) [BPL]
7			AA		C	Capacitor (50WV 0.022μF) [C901]
8			AB		C	Capacitor (16WV 47μF) [C902]
9			AA		C	Capacitor (50WV 0.022μF) [C903]
10			AA	N	C	Capacitor (50WV 200pF) [C904-906]
11			AA		C	Capacitor (25WV 0.10μF) [C907,908]
12			AA		C	Capacitor (50WV 1000PF) [C909-918]
13			AC		B	Tact Switch [CLK]
14			AC	N	C	Connector (12pin) [CN901]
15			AC		B	Tact Switch [CRSK]
16			AA		B	Diode (DSS133) [D901-D910]
17			AC		B	LED (MPG3864K) [DATL XE-80,82,84]
18			AC		B	LED (MRV3864K) [DPL]
19			AC		B	Tact Switch [DZWK]

13 Operation Panel PWB unit

NO.	PARTS CODE	OEM CODE	PRICE RANK	NEW MARK	PART RANK	DESCRIPTION
20			AC		B	LED (MPG3864K) [EXD]
21			AC		B	LED (MPG3864K) [EXL]
22			AC		B	Tact Switch [EXMODK]
23			AC		B	LED (MPG3864K) [EXN]
24			AC		B	Tact Switch [EXUDK]
25			AN		B	IC (LC7935) [IC902]
26			AG	N	B	IC (TC74HC151F) [IC902]
27			AC		B	IC (MC74HC00AF) [IC903]
28			AC		B	Tact Switch [IOUPK]
29			AC		B	Tact Switch [IUPK]
30			AA		C	Resistor (1/8W 0Ω ±5%) [J900-944]
31			AA		C	Resistor (1/8W 0Ω ±5%) [J946-953]
32			AA		C	Resistor (1/8W 0Ω ±5%) [J955-966]
33			AC		B	LED (MRV3864K) [JPL]
34			AC		C	Spacer [LEDM]
35			AQ		B	LED (LTC3650G01) [LEDM]
36			AC		B	Tact Switch [MAGK]
37			AC		B	LED (MPG3864K) [ME]
38			AC		B	LED (MPG3864K) [NOR]
39			AC		B	Tact Switch [OLK XE-80,82,84]
40			AC		B	LED (MPG3864K) [ONLL XE-80,82,84]
41			AC		B	LED (MPG3864K) [PE]
42			AC		B	Tact Switch [PSW]
43			AD		B	Transistor (DTB113ZK) [Q901-903]
44			AA		C	Resistor (1/10W 120Ω ±5%) [R902-918]
45			AA		C	Resistor (1/10W 4.7KΩ ±5%) [R919-926]
46			AA		C	Resistor (1/10W 4.7KΩ ±5%) [R928]
47			AA		C	Resistor (1/10W 4.7KΩ ±5%) [R930]
48			AA		C	Resistor (1/10W 1KΩ ±5%) [R932-935]
49			AA		C	Resistor (1/10W 1.5KΩ ±5%) [R936-938]
50			AA		C	Resistor (1/10W 150Ω ±5%) [R939-941]
51			AA		C	Resistor (1/10W 510Ω ±5%) [R942,943]
52			AA		C	Resistor (1/10W 1KΩ ±5%) [R944-946]
53			AA		C	Resistor (1/10W 100Ω ±5%) [R948-957]
54			AA		C	Resistor (1/10W 10KΩ ±5%) [R962]
55			AC		B	LED (MPG3864K) [RPL]
56			AC		B	LED (MRV3864K) [TPL]
57			AC		B	LED (MPG3864K) [TSL]
58			AC		B	LED (MPG3864K) [ZPL]
59			AC		B	Tact Switch [ZUPK]
901			BA	N	E	Operation Panel PWB unit (XE-60,XE-62)
			BA	N	E	Operation Panel PWB unit (XE-80,XE-82,XE-84)

14 ICU PWB unit(XE-80,XE-82,XE-84)

NO.	PARTS CODE	OEM CODE	PRICE RANK	NEW MARK	PART RANK	DESCRIPTION
1			AA		C	Capacitor (25WV 0.10μF) [C201]
2			AB		C	Capacitor (10WV 47μF) [C202]
3			AA		C	Capacitor (25WV 0.10μF) [C203,204]
4			AC	N	C	Capacitor (50WV 1800pF) [C205]
5			AA		C	Capacitor (50WV 47PF) [C206]
6			AA		C	Capacitor (25WV 0.10μF) [C207]
7			AA		C	Capacitor (50WV 100PF) [C208]
8			AA		C	Capacitor (50WV 390PF) [C209]
9			AA		C	Capacitor (50WV 100PF) [C210]
10			AA		C	Capacitor (50WV 390PF) [C211]
11			AA		C	Capacitor (50WV 100PF) [C212]
12			AA		C	Capacitor (50WV 390PF) [C213]
13			AA		C	Capacitor (50WV 100PF) [C214-216]
14			AA		C	Capacitor (50WV 680PF) [C217]
15			AA		C	Capacitor (50WV 47PF) [C218]
16			AB		C	Capacitor (50WV 0.010μF) [C219]
17			AA		C	Capacitor (25WV 0.10μF) [C220-232]
18			AA		C	Capacitor (25WV 0.10μF) [C242]
19			AG		C	Connector (36pin) [CN202]
20			AE	N	C	Connector (20pin) [CN203]
21			BB		B	IC (4M20SOJ-70) [IC201]
22			AY		B	IC (SLA303T) [IC202]
23			AC	N	C	Coil [L202,203]
24			AC	N	C	Coil [L207,208]
25			AC	N	C	Coil [L214-216]
26			AC	N	C	Coil [L219-227]
27			AC		C	Coil [L228]
28			AC	N	C	Coil [L233]
29			AC	N	C	Coil [L235,236]

14 ICU PWB unit(XE-80,XE-82,XE-84)

NO.	PARTS CODE	OEM CODE	PRICE RANK	NEW MARK	PART RANK	DESCRIPTION
30			AC	N	C	Coil [L241]
31			AA		C	Resistor (1/10W 10KΩ ±5%) [R201-208]
32			AA		C	Resistor (1/10W 220Ω ±5%) [R209]
33			AA		C	Resistor (1/10W 10KΩ ±5%) [R210]
34			AA		C	Resistor (1/10W 2.2KΩ ±5%) [R211]
35			AA		C	Resistor (1/10W 1.2KΩ ±5%) [R212]
36			AA		C	Resistor (1/10W 3.3KΩ ±5%) [R213]
37			AA		C	Resistor (1/10W 1.2KΩ ±5%) [R214-216]
38			AA		C	Resistor (1/10W 220Ω ±5%) [R217]
39			AA		C	Resistor (1/10W 1.2KΩ ±5%) [R218]
40			AA		C	Resistor (1/10W 220Ω ±5%) [R219]
41			AA		C	Resistor (1/10W 1.2KΩ ±5%) [R220]
42			AA		C	Resistor (1/10W 220Ω ±5%) [R221]
43			AA		C	Resistor (1/10W 1.2KΩ ±5%) [R222]
44			AA		C	Resistor (1/10W 220Ω ±5%) [R223]
45			AA		C	Resistor (1/10W 1.2KΩ ±5%) [R224]
46			AA		C	Resistor (1/10W 220Ω ±5%) [R225]
47			AA		C	Resistor (1/10W 1.2KΩ ±5%) [R226]
48			AA		C	Resistor (1/10W 220Ω ±5%) [R227]
49			AA		C	Resistor (1/10W 1.2KΩ ±5%) [R228]
50			AA		C	Resistor (1/10W 220Ω ±5%) [R229]
51			AA		C	Resistor (1/10W 1.2KΩ ±5%) [R230]
52			AA		C	Resistor (1/10W 220Ω ±5%) [R231]
53			AA		C	Resistor (1/10W 1.2KΩ ±5%) [R232]
54			AA		C	Resistor (1/10W 220Ω ±5%) [R233]
55			AA		C	Resistor (1/10W 1MΩ ±5%) [R234]
56			AA		C	Resistor (1/10W 1.2KΩ ±5%) [R235-248]
57			AA		C	Resistor (1/10W 1.2KΩ ±5%) [R250-252]
58			AA		C	Resistor (1/10W 220Ω ±5%) [R253,254]
59			AA		C	Resistor (1/10W 1.2KΩ ±5%) [R255,256]
60			AA		C	Resistor (1/10W 220Ω ±5%) [R257,258]
61			AA		C	Resistor (1/10W 1.2KΩ ±5%) [R259,260]
62			AA		C	Resistor (1/10W 220Ω ±5%) [R261,262]
63			AA		C	Resistor (1/10W 1.2KΩ ±5%) [R263,264]
64			AA		C	Resistor (1/10W 220Ω ±5%) [R265,266]
65			AH		B	Crystal (35.5721237MHz) [X201]
901			CF	N	E	ICU PWB unit (XE-80,XE-82,XE-84)

15 Power Supply unit

NO.	PARTS CODE	OEM CODE	PRICE RANK	NEW MARK	PART RANK	DESCRIPTION
△	1		AE		A	Fuse (125V/5A)(100V series)
△					A	Fuse (250V/3.15A)(200V series)
△	2		AD		A	Fuse (125V/10A)(100V series)
△					A	Fuse (240V/5A)(200V series)
	901	160K55740	BM	N	E	Power Supply unit (120V series)
		160K55750	BP	N	E	Power Supply unit (230V series)

Index

PARTS CODE	OEM CODE	NO.	PRICE RANK	NEW MARK	PART RANK
802E00980		1- 12	AT	N	C
		1- 12	AT	N	C
		1-502	BA		E
		1-502	BA	N	E
		10- 8	AH	N	C
		10- 11	AH	N	C
062E09060		8- 42	BR	N	E
		4-901	BV	N	E
		4-901	BV	N	E
		7- 13		N	E
		8- 36	AG	N	C
		8- 37	AG	N	C
		8- 29	AH	N	C
		5- 10	AH	N	E
		1- 11		N	E
		2-901		N	E
		1- 11		N	E
		2-901		N	E
		1- 11		N	E
		2-901		N	E
053E06010		1- 11	BK	N	E
053E06010		2-901	BK	N	E
		1- 11		N	E
		2-901		N	E
		1- 11		N	E
		2-901		N	E
		1- 11		N	E
		2-901		N	E
		1- 11		N	E
		2-901		N	E
		4- 30	AQ	N	E
		7- 17	AH	N	E
		6- 14	CF	N	E
		14-901	CF	N	E
		6- 7	BE	N	E
		2- 1	BA	N	E
		13-901	BA	N	E
		2- 1	BA	N	E
		13-901	BA	N	E
160K55740		6- 15	BM	N	E
160K55740		15-901	BM	N	E
160K55750		6- 15	BP	N	E
160K55750		15-901	BP	N	E
		6- 1	BT	N	E
		12-901	BT	N	E
		10- 9	AF	N	C
		8- 5	BE	N	E
		9-901	BE	N	E
		8- 6	BC	N	E
		10-901	BC	N	E
		1-501	AU	N	E
		8- 13	AN	N	B
		4- 10	AF		C
152P05690		8- 25	AL	N	C
		9- 4	BA	N	C
160K55780		8- 10	AF	N	C
152P05691		8- 15	AC	N	C
160K55790		2- 2	AK	N	C
		7- 31	AH	N	C
		7- 31	AG	N	C
162K50360		6- 13	AG	N	C
160K55800		6- 12	AF	N	C
		5- 22		N	E
160K55810		8- 11	BB	N	E
		3- 19	BK	N	E
		7-901	BK	N	E
		3- 19	BK	N	E
		7-901	BK	N	E
		1- 6	AZ	N	C
802E00990		1- 6	AV	N	C
		1- 14	AZ	N	C
802E01000		1- 14	AV	N	C
		1- 4	AX	N	C
802E01010		1- 4	AT	N	C

PARTS CODE	OEM CODE	NO.	PRICE RANK	NEW MARK	PART RANK
		2- 5	AY	N	C
		2- 5	AU	N	C
		1- 16	AL	N	C
802E01020		1- 16	AK	N	C
		1- 10	AL	N	C
802E01030		1- 10	AK	N	C
		1- 23	AV	N	C
		1- 23	AV	N	C
		6- 10	AB		C
		2- 8	AR	N	C
		2- 8	AR	N	C
		2- 8	AR	N	C
		2- 8		N	C
		2- 8	AR	N	C
003N00673		2- 7	AF	N	C
003N00669		2- 6	AF	N	C
		2- 9	AG	N	C
		2- 10	AK	N	C
		6- 17	AL	N	C
		11- 8	AA		C
		7- 34	AA		C
		8- 41	AA		C
022E22660		4- 18	AE		C
		9- 11	AE	N	C
		9- 14	AE	N	C
		9- 6	AL	N	C
		4- 16	AC		C
		9- 10	AD	N	C
		10- 1	AD	N	C
		8- 27	AX	N	C
		5- 39	BB	N	C
		8- 26	AK	N	C
		8- 43	AK	N	C
		2- 3	AP	N	C
		2- 3	AP	N	C
		3- 10	AD		C
015E67270		5- 35	AE		C
		4- 31	AC	N	C
		4- 9	AF		C
		5- 7	AK	N	C
015E72570		5- 49	AG	N	C
		6- 9	AQ	N	C
		6- 9	AQ	N	C
		1- 1	AK		C
		8- 7	AE	N	C
		1- 2	AQ		C
050E15070		1- 8	AM	N	C
050E15080		1- 9	AN	N	C
		3- 20	AD		C
		7- 21	AB		C
026E46000		4- 13	AA		C
		10- 5	AA		C
		7- 19	AA		C
026E72770		11- 9	AC		C
026E72690		5- 46	AC	N	C
		8- 20	AC	N	C
		8- 18	AB	N	C
		8- 16	AA	N	C
		1- 7			C
		10- 13	AA	N	C
		4- 22	AC		C
		4- 23	AC		C
		4- 24	AC		C
		5- 14	AA		C
		3- 15	AA		C
		8- 31	AA		C
		1- 22	AE	N	C
		5- 48	AF	N	C
		5- 45	AF	N	C
		3- 17	AB		C
		5- 11	AC		C
		5- 37	AC		C
		4- 6	AE		C
011E07890		4- 4	AC		C
		5- 16	AC		C
011E09040		3- 22	AG	N	C
011E09050		7- 16	AE	N	C

PARTS CODE	OEM CODE	NO.	PRICE RANK	NEW MARK	PART RANK
		5- 27	AD	N	C
	011E09060	5- 15	AG	N	C
	011E09070	3- 4	AG	N	C
	120E19140	1- 15	AD	N	C
		9- 8	AH	N	C
		10- 4	AP	N	C
		5- 29	AB		C
		4- 15	AA		C
		5- 6	AB		C
		4- 2	AB		C
		4- 14	AB		C
		5- 8	AD		C
		5- 38	AB		C
		5- 23	AB		C
		5- 12	AB	N	C
	809E18510	5- 50	AB	N	C
	809E18520	5- 47	AB	N	C
		5- 13	AB		C
		5- 26	AC		C
		9- 13	AC	N	C
	809E14150	4- 20	AC		C
		3- 3	AA		C
		7- 8	AA		C
		7- 32	AA		C
	809E18530	8- 33	AC	N	C
		7- 10	AC		C
	023E17760	8- 24	AG	N	C
		7- 24	AE		C
		8- 17	AE		C
		7- 27	AB		C
	013E14310	5- 4	AC		C
	013E14320	5- 2	AC		C
	013E14330	5- 43	AF		C
		3- 12	AC		C
		3- 13	AD		C
		3- 1	AC		C
	007E55490	3- 14	AC		C
	007E55480	3- 16	AC		C
	007E55460	4- 12	AE		C
		7- 25	AC		C
		3- 7	AC		C
		3- 5	AC		C
	007E55470	5- 5	AC		C
		3- 18	AE		C
		3- 6	AD		C
		7- 6	AD		C
	007E59410	8- 32	AH	N	C
	007E59420	5- 32	AE	N	C
		3- 2	AG	N	C
		10- 7	AG		C
		8- 23	AG	N	C
		8- 19	AM	N	C
		8- 34	AG	N	C
		7- 26	AW		C
	022E23300	5- 33	AG	N	C
	022E22670	7- 11	AC		C
		5- 1	AW		C
	022E22690	5- 44	AY		C
	022E22650	4- 17	AR		C
		7- 33	AD		C
		8- 21		N	C
		8- 3		N	C
		7- 18	AD		C
		8- 1	AK	N	C
		5- 28	AA		C
		4- 32	AK	N	C
		3- 8	AD		C
		7- 1	AV	N	C
		5- 36	AM		C
	038E22360	1- 3	AG	N	C
	090E02150	1- 25	AX	N	B
		8- 8	AB	N	C
		9- 1	AE	N	C
		9- 15	AE	N	C
	062E09070	9- 12	AL	N	B
	062E09080	10- 3	AN	N	B
		5- 51	AB		C
		4- 29	AB		C
	016E14120	4- 21	AC		C

PARTS CODE	OEM CODE	NO.	PRICE RANK	NEW MARK	PART RANK
	016E14130	4- 19	AC		C
		7- 23	AC		C
		4- 5	AF		C
		1- 17	AG	N	C
		6- 8	AD	N	C
		8- 12	AE	N	C
		9- 3	AA	N	C
		5- 9	AC		C
		1- 24	AT	N	C
		2- 11	AF	N	C
		3- 21	AD		C
		6- 5	AL	N	C
		13- 34	AC		C
		4- 26	AC		C
		1- 21	AN		C
		7- 9	AF		C
		8- 45	AA		C
	117K32320	8- 4	AR	N	C
		8- 46	AQ	N	C
	117E19330	11- 1	AQ		B
		12- 73	AD		C
		12- 77	AA		C
		12- 82	AA		C
		12- 75	AB		C
		12- 76	AB		C
		12- 74	AB		C
		12- 83	AB		C
		12- 81	AE	N	C
		12- 79	AD		C
		12- 80	AB		C
		12- 72	AC		C
		13- 14	AC	N	C
		12- 84	AE		C
		14- 19	AG		C
		12- 78	AE	N	C
		14- 20	AE	N	C
		12- 85	AG	N	C
	117E19340	11- 11	AY		C
		15- 2			A
		15- 1			A
		15- 2	AD		A
		15- 1	AE		A
		7- 22	AQ		A
		5- 25	AE		C
		7- 4	AD		C
		7- 28	AD		C
		5- 20	AD		C
		12- 99	AD		C
		13- 13	AC		B
		13- 15	AC		B
		13- 19	AC		B
		13- 22	AC		B
		13- 24	AC		B
		13- 28	AC		B
		13- 29	AC		B
		13- 36	AC		B
		13- 39	AC		B
		13- 42	AC		B
		13- 59	AC		B
		12- 94	AE		C
		14- 27	AC		C
		12-117	AD		C
		8- 44	AM		C
		4- 28	AH		C
		14- 65	AH		B
		12-210	AP	N	B
		12-209	AG	N	B
		7- 12	AP		B
		14- 23	AC	N	C
		14- 24	AC	N	C
		14- 25	AC	N	C
		14- 26	AC	N	C
		14- 28	AC	N	C
		14- 29	AC	N	C
		14- 30	AC	N	C
		7- 29	AX		B
		7- 29	AW		B
		9- 2	AU	N	B
	127E11880	4- 11	AZ		B

PARTS CODE	OEM CODE	NO.	PRICE RANK	NEW MARK	PART RANK
		12-100	AW		B
		12- 96	AN	N	B
		12-102	AN	N	B
		14- 21	BB		B
		12-114	AD		B
		12- 98	AY		B
		12-101	BE		B
		13- 25	AN		B
		12-115	AU		B
		12-110	AC		B
		12-113	AQ	N	B
		12- 95	AG		B
		12- 97	AF		B
		12-108	AT		B
		13- 27	AC		B
		12-109	AD		B
		12-111	AF		B
		14- 22	AY		B
		12-103	AQ		B
		12-112	AF		B
		12-105	AD		B
		12-106	AE		B
		13- 26	AG	N	B
		12-104	AM		B
		12-107	AC		B
		9- 7	AL		B
	107E07470	8- 38	AG		B
		13- 35	AQ		B
		13- 1	AC		B
		13- 2	AC		B
		13- 3	AC		B
		13- 4	AC		B
		13- 5	AC		B
		13- 6	AC		B
		13- 17	AC		B
		13- 20	AC		B
		13- 21	AC		B
		13- 23	AC		B
		13- 37	AC		B
		13- 38	AC		B
		13- 40	AC		B
		13- 41	AC		B
		13- 55	AC		B
		13- 57	AC		B
		13- 58	AC		B
		13- 18	AC		B
		13- 33	AC		B
		13- 56	AC		B
	108N00367	12-116	AF	N	B
		12-164	AA		C
		12-172	AA		C
		12-176	AA		C
		12-181	AA		C
		12-183	AA		C
		12-189	AA		C
		12-132	AA		C
		12-187	AA		C
		12-128	AA		C
		12-140	AA		C
		12-159	AA		C
		12-168	AA		C
		12-171	AA		C
		12-178	AA		C
		12-125	AA		C
		12-127	AA		C
		12-133	AA		C
		12-136	AA		C
		12-144	AA		C
		12-158	AA		C
		12-174	AA		C
		12-179	AA		C
		12-184	AA		C
		12-122	AA		C
		12-124	AA		C
		12-126	AA		C
		12-129	AA		C
		12-139	AA		C
		12-142	AA		C
		12-148	AA		C
		12-153	AA		C
		12-160	AA		C

PARTS CODE	OEM CODE	NO.	PRICE RANK	NEW MARK	PART RANK
		12-166	AA		C
		12-170	AA		C
		12-185	AA		C
		12-155	AA		C
		12-152	AA		C
		12-123	AA		C
		12-137	AA		C
		12-141	AA		C
		12-175	AA		C
		12-182	AA		C
		12-151	AA		C
		12-154	AA		C
		12-150	AA		C
		12-162	AA	N	C
		12-167	AA	N	C
		12-165	AA		C
		12-149	AA		C
		12-145	AA		C
		12-147	AA		C
		12-135	AA		C
		12-149	AA		C
		12-121	AA		C
		12-161	AA		C
		12-173	AA		C
		12-163	AA		C
		12-146	AA		C
		12-180	AA		C
		12-188	AA		C
		12-169	AA		C
		12-156	AA		C
		12-138	AA		C
		12-134	AA		C
		12-119	AB		C
		13- 30	AA		C
		13- 31	AA		C
		13- 32	AA		C
		12-177	AA		C
		12-131	AA		C
		12-130	AA	N	C
		12-120	AA		C
		13- 53	AA		C
		13- 48	AA		C
		13- 52	AA		C
		13- 54	AA		C
		14- 31	AA		C
		14- 33	AA		C
		14- 55	AA		C
		13- 44	AA		C
		14- 35	AA		C
		14- 37	AA		C
		14- 39	AA		C
		14- 41	AA		C
		14- 43	AA		C
		14- 45	AA		C
		14- 47	AA		C
		14- 49	AA		C
		14- 51	AA		C
		14- 53	AA		C
		14- 56	AA		C
		14- 57	AA		C
		14- 59	AA		C
		14- 61	AA		C
		14- 63	AA		C
		13- 50	AA		C
		13- 49	AA		C
		14- 32	AA		C
		14- 38	AA		C
		14- 40	AA		C
		14- 42	AA		C
		14- 44	AA		C
		14- 46	AA		C
		14- 48	AA		C
		14- 50	AA		C
		14- 52	AA		C
		14- 54	AA		C
		14- 58	AA		C
		14- 60	AA		C
		14- 62	AA		C
		14- 64	AA		C
		14- 34	AA		C
		14- 36	AA		C

