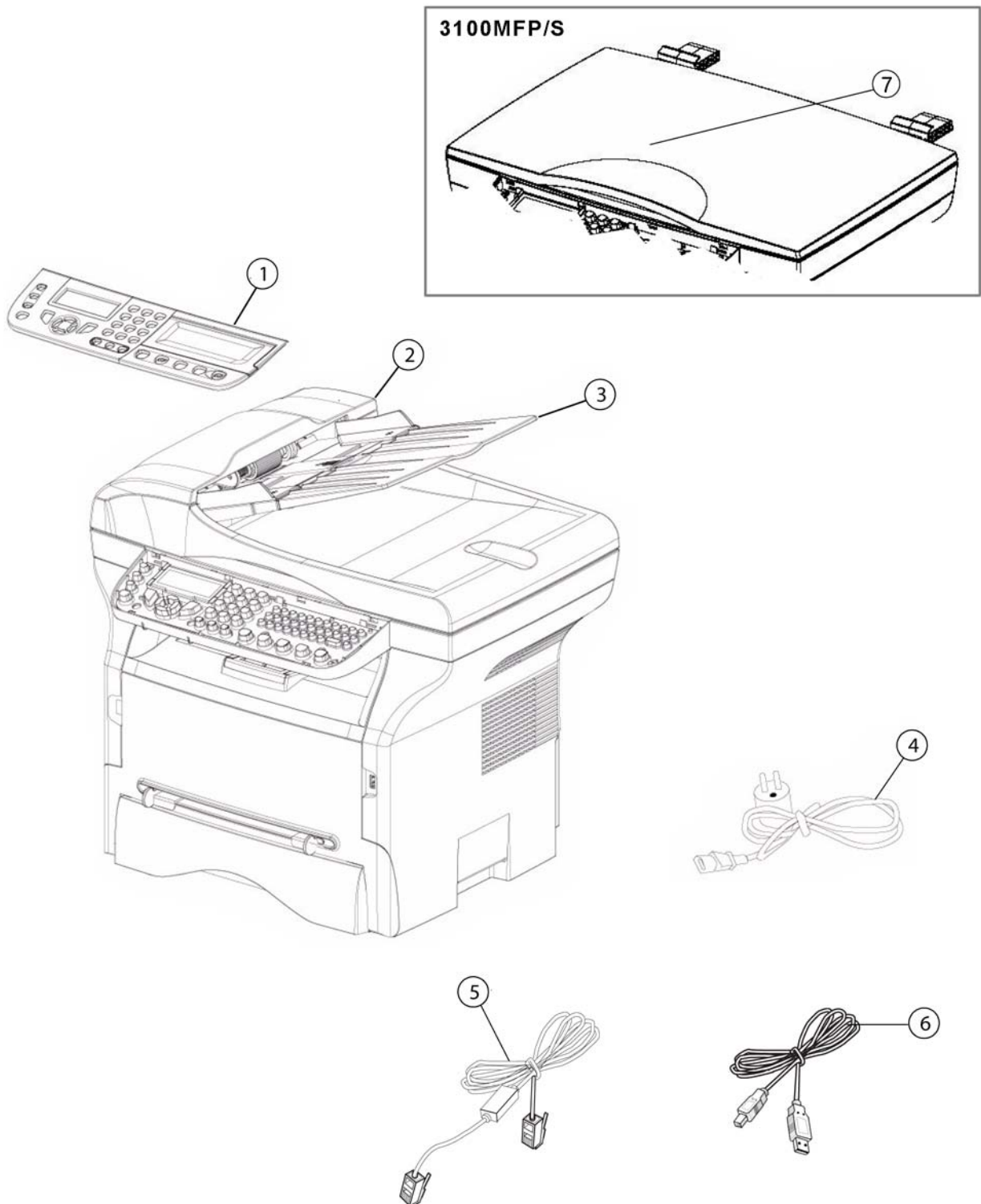

5 Parts List

PL 1 Controls and Cables	5-2
PL 2 Covers	5-4
PL 3 Paper Exit and Rear Cover	5-6
PL 4 Output Tray Assembly	5-8
PL 5 Scanner	5-10
PL 6 CIS Support	5-12
PL 7 Automatic Document Feeder (3100MFP/X only) (1 of 3)	5-14
PL 8 Automatic Document Feeder (3100MFP/X only) (2 of 3)	5-16
PL 9 Automatic Document Feeder (3100MFP/X only) (3 of 3)	5-18
PL 10 Paper Tray	5-20
PL 11 Rollers and Drives	5-22
PL 12 Fuser	5-24
PL 13 Power Supply and Laser Unit	5-26

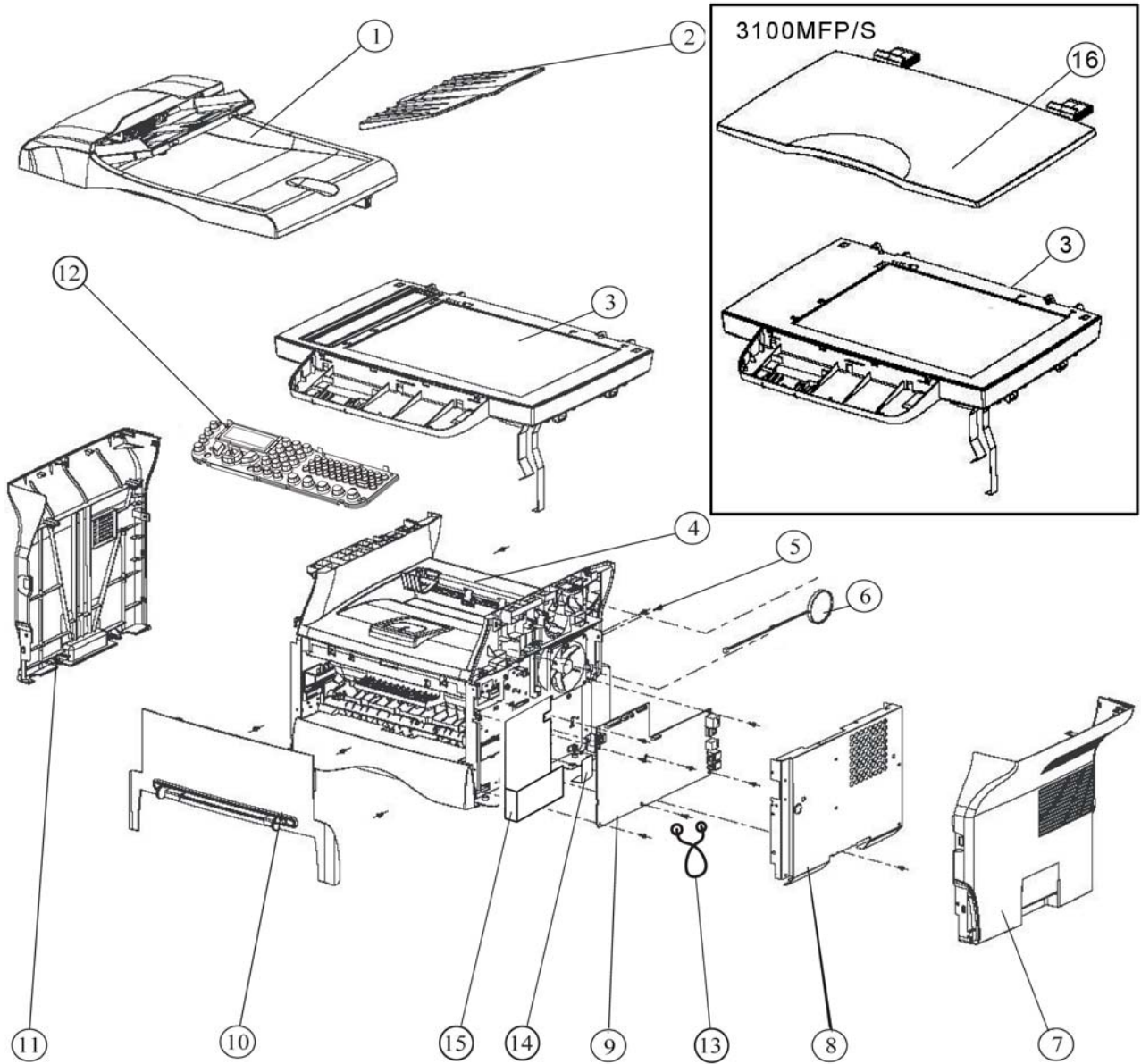
PL 1 Controls and Cables



PL 1 Controls and Cables

ITEM No.	REFERENCE	DESCRIPTION	QTY	R
1	002N02742	Pupitre PHASER Assemble Control panel assembly (3100 MFP/X)	1	REP 1
1	002N02751	Pupitre PHASER Assemble Control panel assembly (3100MFP/S)	1	REP 1
2	Refer to PL 2	Flap équipé V2 ADF cover (3100MFP/X)	1	
3	Refer to PL 2	ADF doc tray D7N coloré ADF doc tray D7N coloured	1	
4	117N01799	Cordon d'alimentation secteur AC Power cord (220V)	1	
4	177N01773	Cordon d'alimentation secteur AC Power cord (110V)	1	
5	117N01774	Cordon ligne téléphonique Phone line cord (3100MFP/X USSG/XCL)	1	
6	117N01800	Cordon USB types A+B L=1,50m + étiquette A+B types USB cable L=1,50m with label	1	
7	Refer to PL 2	Platen cover (3100 MFP/S)	1	

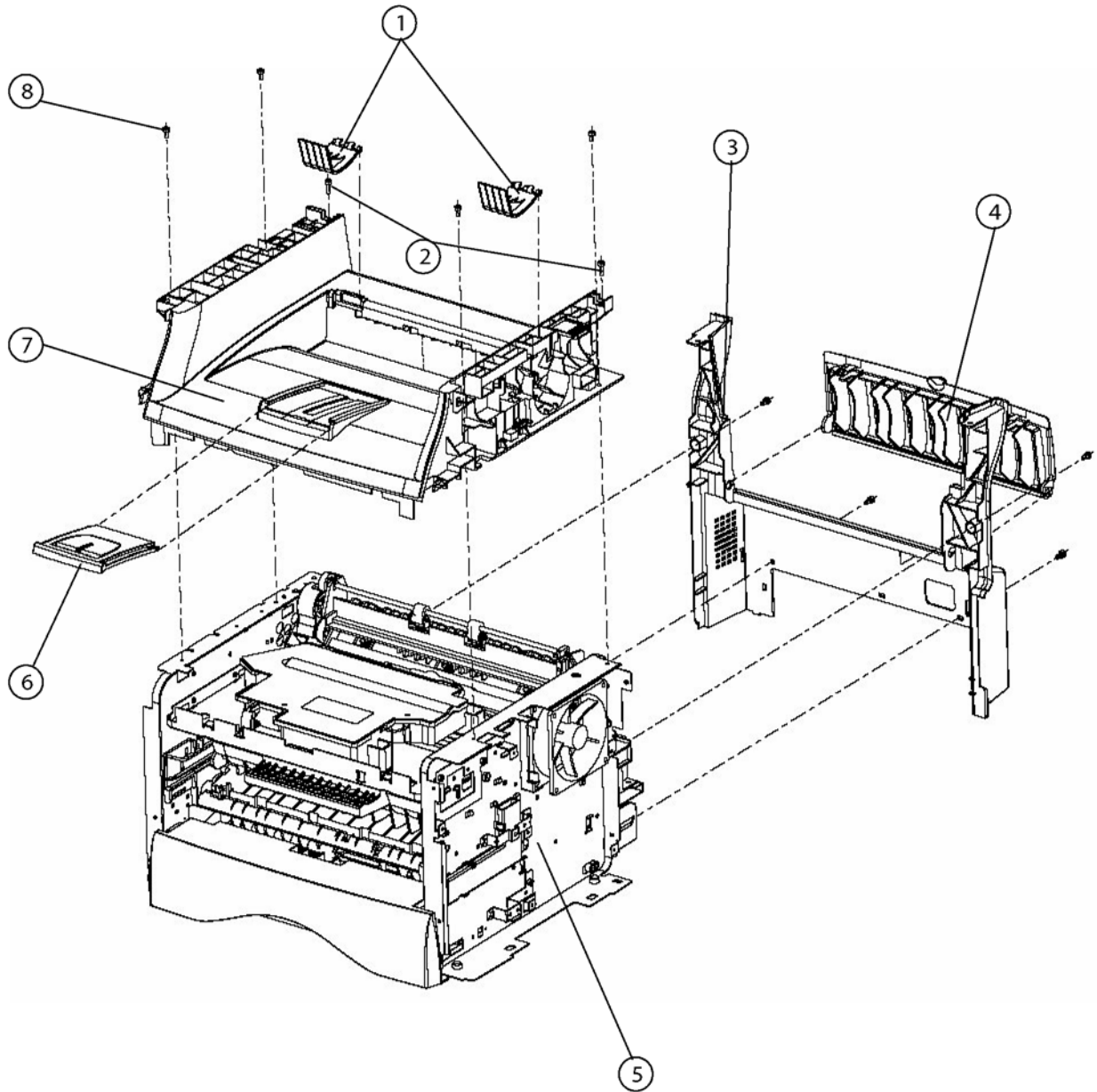
PL 2 Covers



PL 2 Covers

ITEM No.	REFERENCE	DESCRIPTION	QTY	R
1	022N02364	Flap équipé V2 ADF assembly (3100MFP/X)	1	REP 2
2	050N00523	ADF doc tray D7N coloré (3100MFP/X only) ADF doc tray D7N coloured (3100MFP/X only)	1	
3	109N00690	Scanner à plat LFF3 assemblé V2 Scanner assembly V2 (3100MFP/X)	1	REP 16
3	002N00691	Scanner à plat LFF1 assemblé V2 Scanner assembly V2 (3100MFP/S)		REP 16
4	Not spared	Equipement Imprimante V2 Grey White Output tray assembly	1	
5	Not spared	Vis AUTAR.M3X6 steel swch16A Screw M3X6 steel	15	
6	Not spared	Haut-parleur Speaker	1	
7	002N02743	Capot droit imprimante LFF V2 Coloré Right cover	1	REP 3
8	015N00619	Tôle de blindage carte UC Shield plate of UC Board	1	REP 11
9	140N63328	Carte UC Main PCB board (3100MFP/S) (220V)	1	REP 11
9	140N63327	Carte UC Main PCB board (3100MFP/S) (110V)	1	REP 11
9	140N63326	Carte UC Main PCB board (3100MFP/X) (110V)	1	REP 11
9	140N63325	Carte UC Main PCB board (3100MFP/X) (220V)	1	REP 11
10	002N02748	Porte façade avant imprimante assemblé Front door assembly	1	REP 3
11	002N02744	Capot gauche imprimante LFF V2 Coloré Left cover	1	REP 3
12	002N02749	Support Pupitre ASS.LFF3/4V2 XEROX Control Panel (3100MFP/X)	1	REP 1
12	002N02753	Support Pupitre ASS.LFF1V2 XEROX Control Panel (3100MFP/S)	1	REP 1
13	120N00526	Serre câble Twist-lok nylon Serre câble Twist-lok nylon	1	
14	102N13562	Mylar condensateur (3100MFP/X only) Capacitor mylar (3100MFP/X only)	1	
15	063N00112	Mylar de sécurité Security mylar	1	
16	252N02752	Capot scanner a plat assemble grisclair Platen cover (3100MFP/S)	1	REP 38

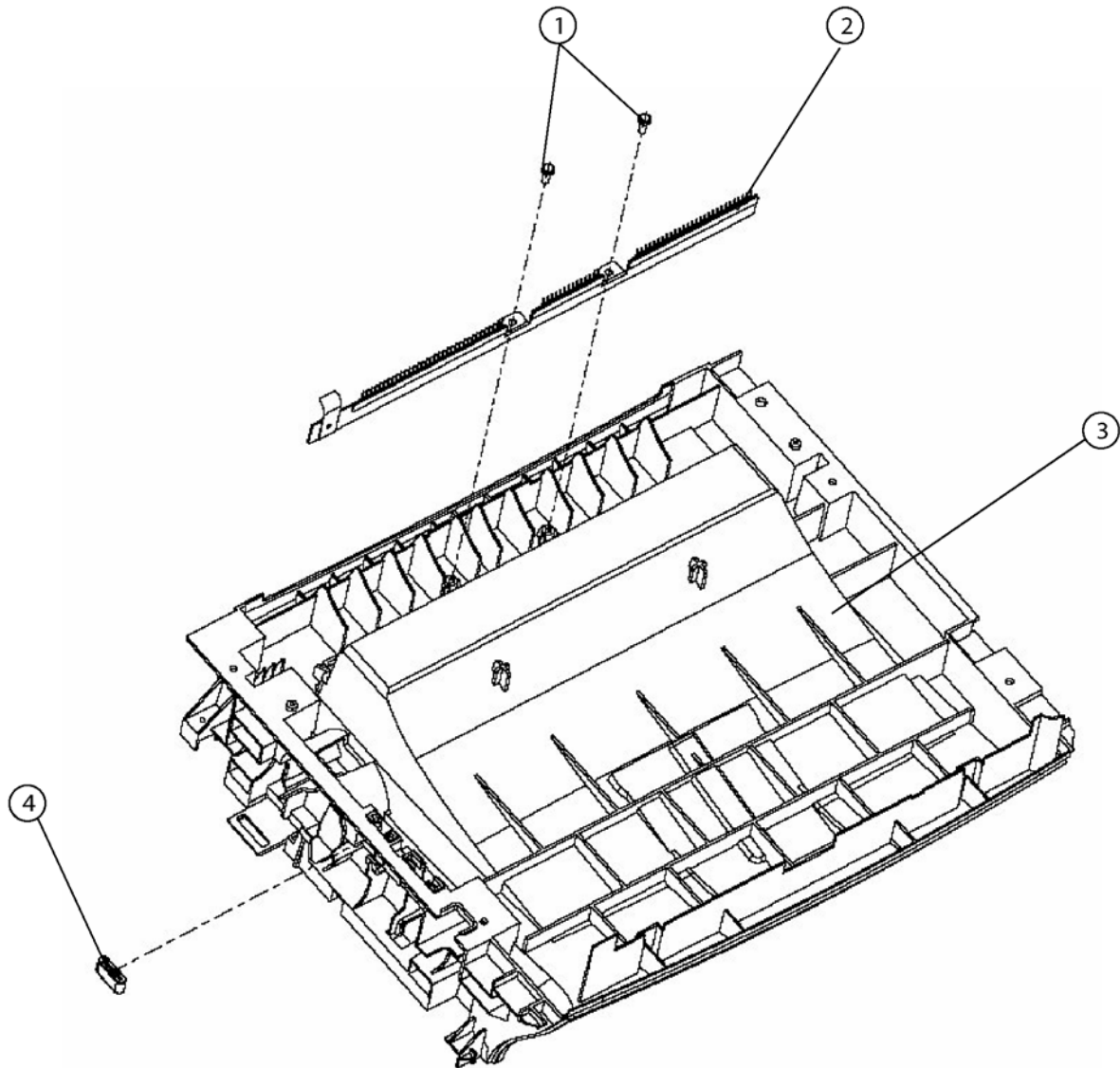
PL 3 Paper Exit and Rear Cover



PL 3 Paper Exit and Rear Cover

ITEM No.	REFERENCE	DESCRIPTION	QTY	R
1	038N00521	Guide papier sortie imprimante Exit paper guide	2	
2	Not spared	VIS 3x10 self tapping screw for plastic Screw 3x10 Self tapping screw for plastic	2	
3	002N02745	Capot arrière imprimante LFX V2 coloré Lower rear cover	1	REP 13
4	002N02746	Trappe arrière Upper rear cover	1	REP 13
5	Not spared	Imprimante Machine	1	
6	050N00522	Tirette imprimante + extension Tray exit+ extend	1	
7	050N00525	Interface équipée Gray White V2 (voir planche 4) Output tray assembly (refer to PL 4)	1	REP 14
8	Not spared	Vis autar. M3x6 steel swch16A Screw M3x6 steel	6	

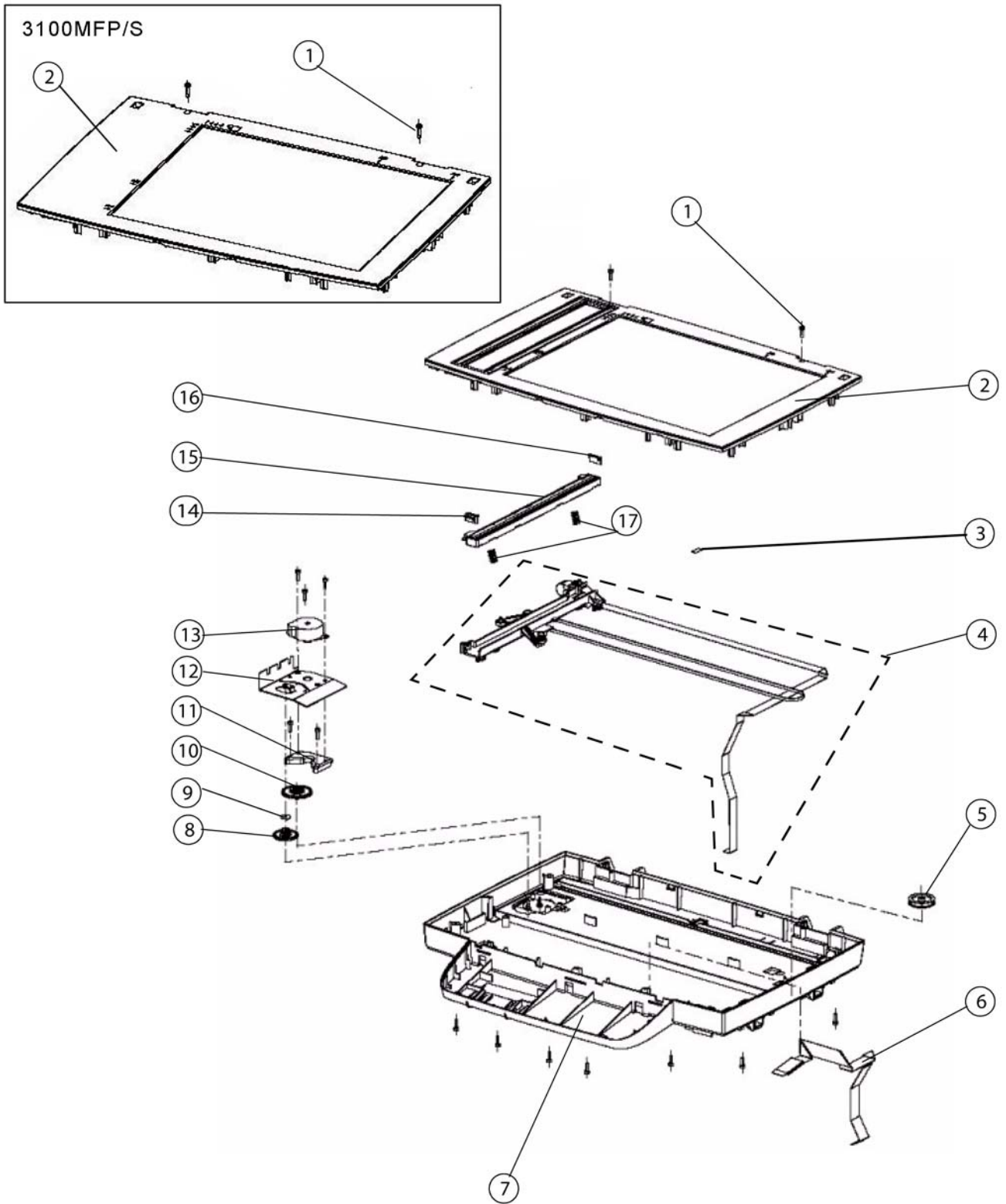
PL 4 Output Tray Assembly



PL 4 Output Tray Assembly

ITEM No.	REFERENCE	DESCRIPTION	QTY	R
1	Not spared	VIS 3x10 self tapping screw for plastic Screw 3x10 self tapping screw for plastic	2	
2	115N00872	Brosse antistatique Discharge brush	1	
3	050N00526	Interface LFX V2 Colorée Grey White Output tray	1	REP 14
4	117N01797	Ferrite p.cable plat 3W800 10 cond. SP Ferrite p.cable plat 3W800 10 cond. SP		

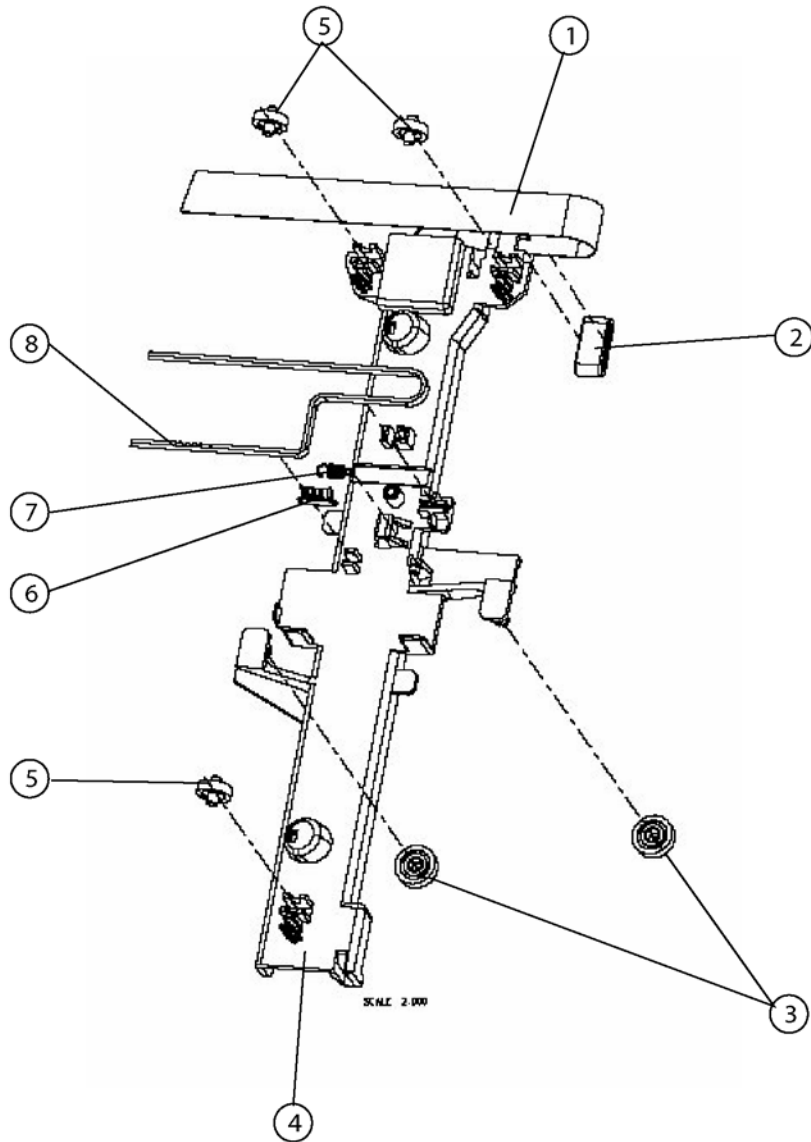
PL 5 Scanner



PL 5 Scanner

ITEM No.	REFERENCE	DESCRIPTION	QTY	R
1	Not spared	Vis 3x10 self tapping screw for plastic Screw 3x10 Self tapping screw for plastic	14	
2	Not spared	Cadre vitre scanner LFF3 assemblé Scanner frame LFF3 assembly (3100 MFP/X)	1	REP 18
2	Not spared	Cadre vitre scanner LFF1 assemblé Scanner frame LFF1 assembly (3100 MFP/S)	1	REP 18
3	Not spared	Adhésif double face ferrite Ferrite D-tape	2	
4	Not spared	Support CIS LFX CIS support LFX	1	REP 21
5	Not spared	Poulie renvoi courroie CIS colorée CIS drive pulley colored	1	
6	Not spared	Nappe console 16 points Ribbon cable	1	
7	Not spared	Fond scanner coloré V2 Scanner bottom colored V2	1	
8	Not spared	Pignon 55 dents scanner à plat coloré Scanner gear 55 teeth colored	1	
9	Not spared	Disque pignon 15-55 dents coloré CIS drive disc colored	1	
10	Not spared	Pignon 32/70 dents scanner à plat coloré Scanner gear 32/70 teeth colored	1	
11	Not spared	Interface support moteur colorée CIS drive adaptor colored	1	
12	Not spared	Tôle moteur scanner à plat CIS drive heat sink	1	
13	Not spared	Moteur scanner à plat LFF Scanner motor LFF	1	REP 22
14	Not spared	Glissière CIS gauche colorée CIS slider left colored	1	
15	Not spared	CIS A4 600 DPI 1.5MS 3.3V SP CIS A4 600 DPI 1.5MS 3.3V LF	1	
16	Not spared	Glissière CIS droite colorée CIS slider right colored	1	
17	Not spared	Ressort CIS CIS spring	2	

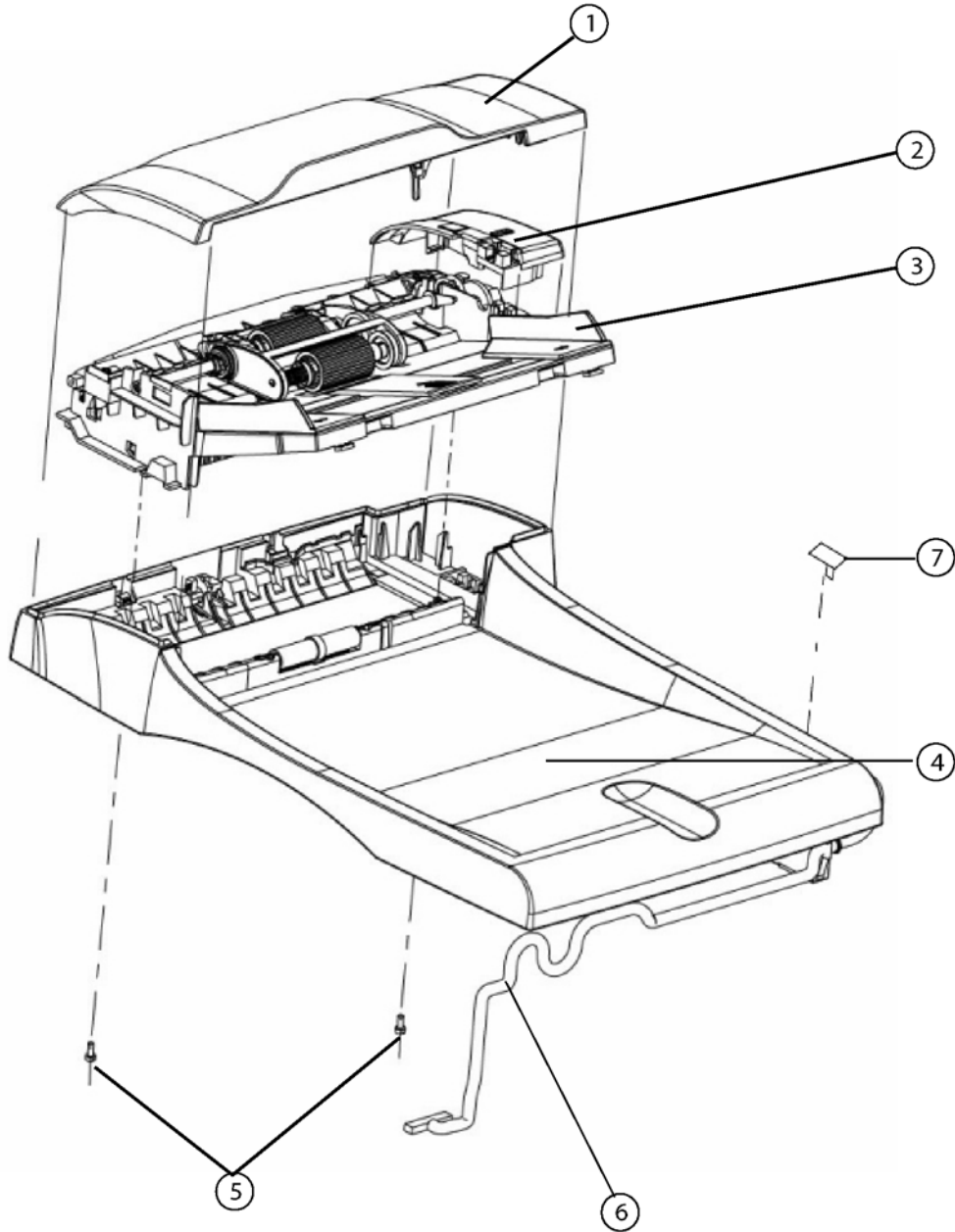
PL 6 CIS Support



PL 6 CIS Support

ITEM No.	REFERENCE	DESCRIPTION	QTY	R
1	117N01798	Nappe CIS 12 points 50 microns 12 pin 50 micrometers CIS flat cable	1	REP 20
2	117N01797	Ferrite p.cable plat 3W800 10 cond. SP Ferrite p.cable plat 3W800 10 cond. SP	1	
3	Not spared	Guidage central chariot CIS coloré Central roller of CIS support colored	2	
4	Not spared	CIS support coloré CIS support colored	1	
5	Not spared	Guidage latéral chariot CIS coloré Lateral roller of CIS support colored	3	
6	Not spared	Connecteur courroie CIS CIS drive belt connection	1	
7	Not spared	Ressort courroie CIS belt spring	1	
8	Not spared	Courroie CIS drive belt	1	

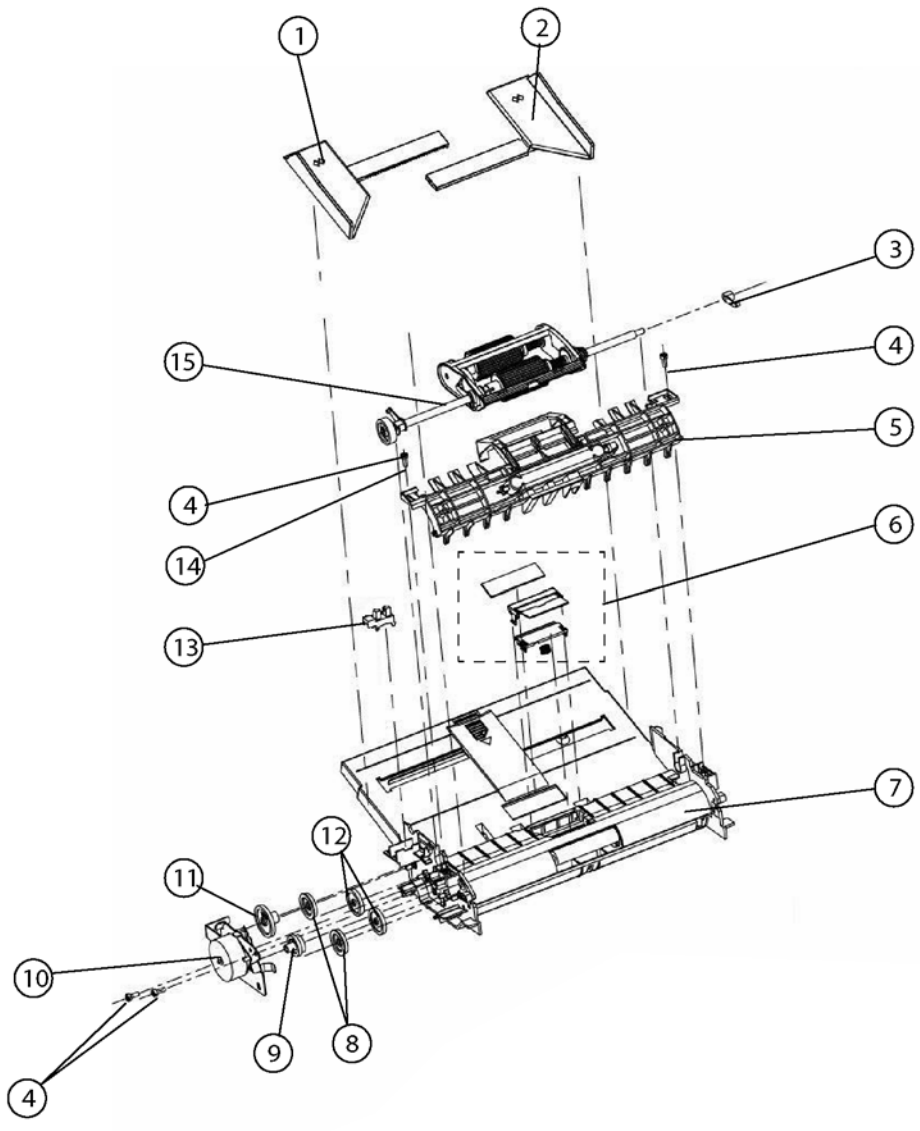
PL 7 Automatic Document Feeder (3100MFP/X only) (1 of 3)



PL 7 Automatic Document Feeder (3100MFP/X only) (1 of 3)

ITEM No.	REFERENCE	DESCRIPTION	QTY	R
1	002N02750	Capot ADF assemblé V2 ADF cover assembly V2	1	
2	002N02747	Capot moteur coloré Motor cover	1	
3	038N00522	Chemin papier interne deflect. ass V2 Document input tray	1	
4	050N00527	Flap assemblé V2 Document output tray	1	
5	Not spared	Vis autotartête large pour plast. 3x8 3x8 self tap. screw large for head plas	2	
6	Not spared	ADF motor&sensor wires overmolded LFX V2 ADF motor & sensor wires overmolded LFX V2	1	
7	Not spared	Cache charnière coloré Hide hinge colored	1	

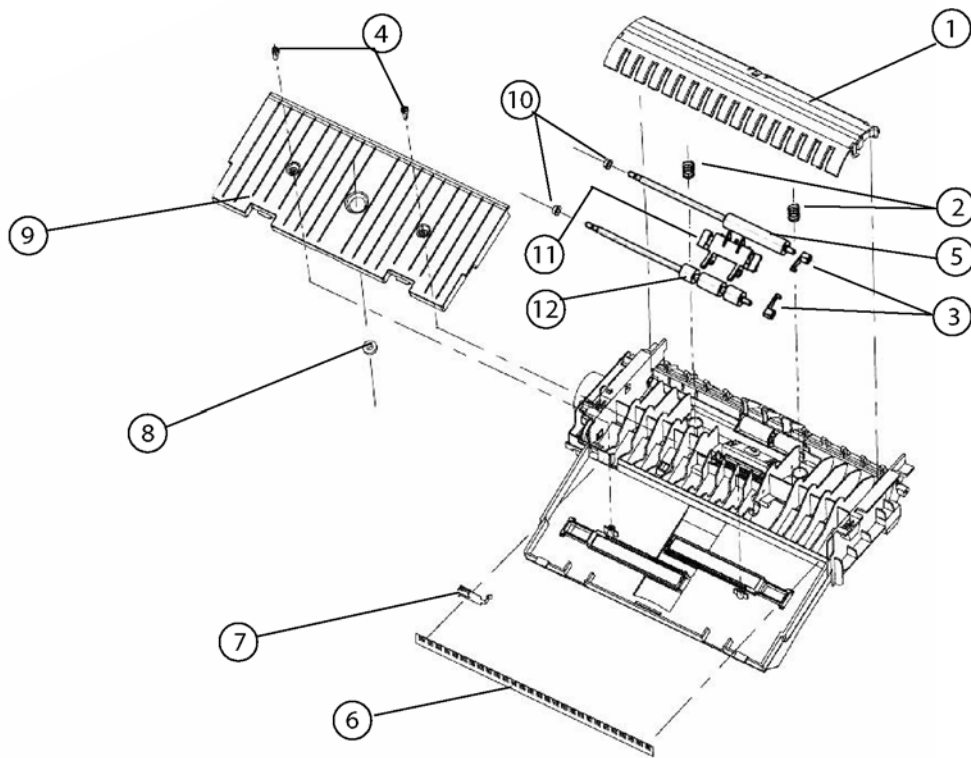
PL 8 Automatic Document Feeder (3100MFP/X only) (2 of 3)



PL 8 Automatic Document Feeder (3100MFP/X only) (2 of 3)

ITEM No.	REFERENCE	DESCRIPTION	QTY	R
1	Not spared	ADF slider left D7N coloré Left document guide	1	REP 10
2	Not spared	ADF slider right D7N coloré Right document guide	1	REP 10
3	Not spared	Palier quart de tour rouleau coloré Roller bearing	3	
4	Not spared	Vis autotartête large pour plast. 3X8 3X8 self tapping screw large for plastic	6	
5	Not spared	Guide papier supérieur assemblé Upper paper guide assembly	1	REP 7
6	019N00958	Kit déliasseur pour LFX Retard pad assembly	1	REP 5
7	Not spared	Introduceur papier deflect colorée Paper input guide	1	REP 6
8	Not spared	Pignon 38 dents coloré 38 teeth analysis roller gear colored	2	
9	007N01602	Pignon 27-33 dents coloré 27-33 teeth gear colored	1	
10	001N00501	Support moteur assemblé Motor frame assembly	1	REP 22
11	007N01603	Pignon 16-51 dents coloré 16-51 teeth gear colored	1	
12	007N01604	Pignon 42 dents coloré 42 teeth gear colored	2	
13	Not spared	Photo interrupter opic GP1A73A sp Sensor	1	
14	Not spared	Rondelles M3X0,6 Washer M3X0.6	2	
15	Not spared	Chargeur assemble Feeder assembly	1	REP 4

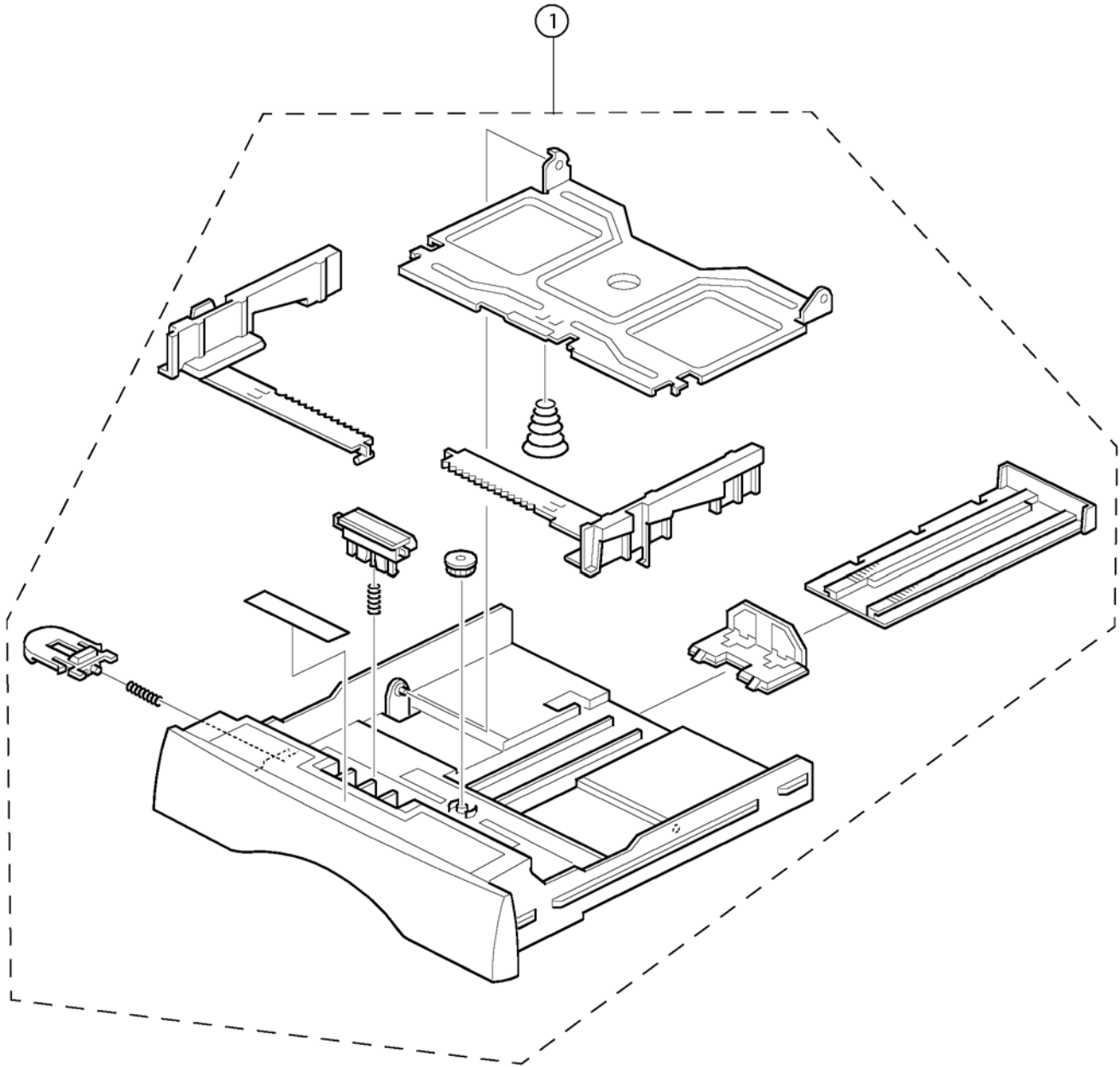
PL 9 Automatic Document Feeder (3100MFP/X only) (3 of 3)



PL 9 Automatic Document Feeder (3100MFP/X only) (3 of 3)

ITEM No.	REFERENCE	DESCRIPTION	QTY	R
1	Not spared	Chassis blanc coloré White frame plate colored	1	REP 9
2	Not spared	Ressort palette blanche White frame plate spring	2	
3	Not spared	Palier quart de tour rouleau coloré Roller bearing turning colored	3	
4	Not spared	Vis autotartête large pour plast. 3X8 3X8 self tap.screw large for head plas	6	
5	022N02361	Rouleau analyse Registration roller	1	REP 9
6	115N00873	Brosse antistatique auto adhésive 224 mm Antistatic brush	1	
7	Not spared	Reprise de masse balayette Brush ground plate	1	
8	Not spared	Pignon bac papier coloré Gear document tray colored	1	
9	Not spared	ADF wheelbox D7N coloré ADF wheelbox D7N colored	1	
10	Not spared	Palier LFX coloré LFX bearing colored	2	
11	Not spared	Deflecteur chemin papier colouree Paper deflector colored	1	REP 9
12	Not spared	Rouleau analyse pour ejection Exit roller	1	REP 9

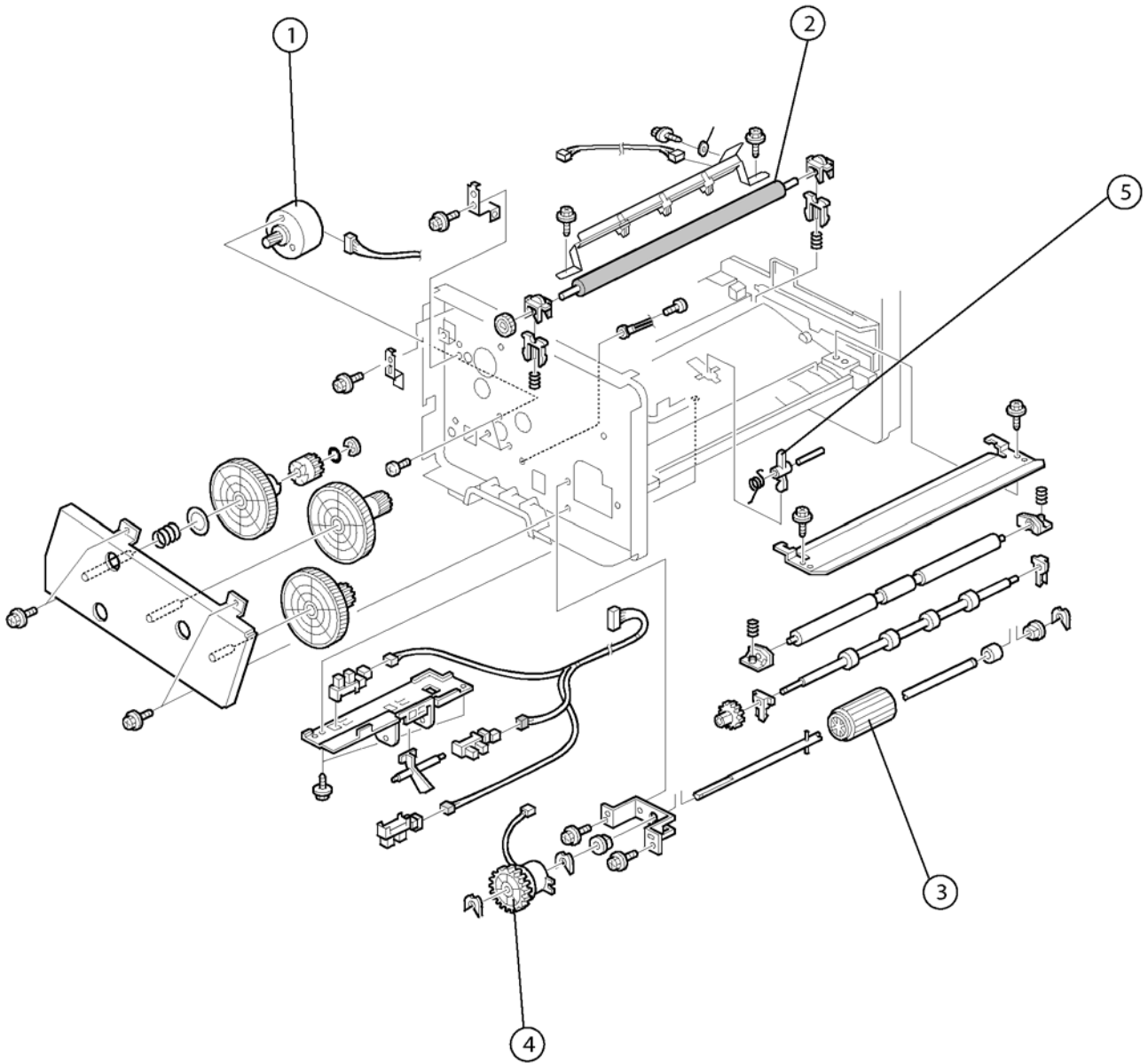
PL 10 Paper Tray



PL 10 Paper Tray

ITEM No.	REFERENCE	DESCRIPTION	QTY	R
1	050N00524	Bac papier Paper tray unit	1	REP 23

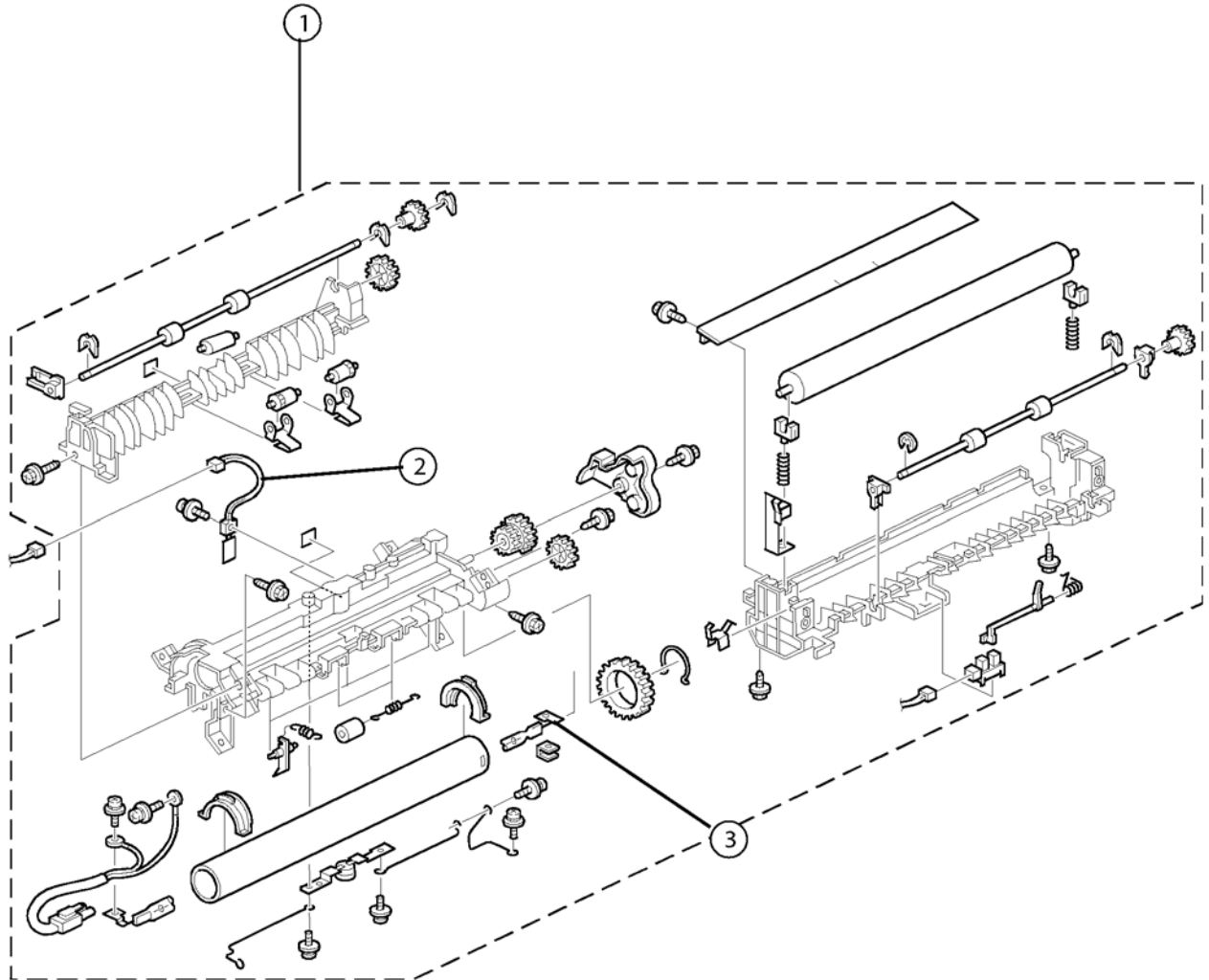
PL 11 Rollers and Drives



PL 11 Rollers and Drives

ITEM No.	REFERENCE	DESCRIPTION	QTY	R
1	127N07574	Brushless motor - DC24V	1	REP 36
2	022N02362	Transfer roller	1	REP 34
3	022N02363	Paper feed roller - MM32	1	REP 32
4	121N01171	Magnetic clutch -43z	1	
5	120N00525	Actuator - Paper pick-up sensor	1	

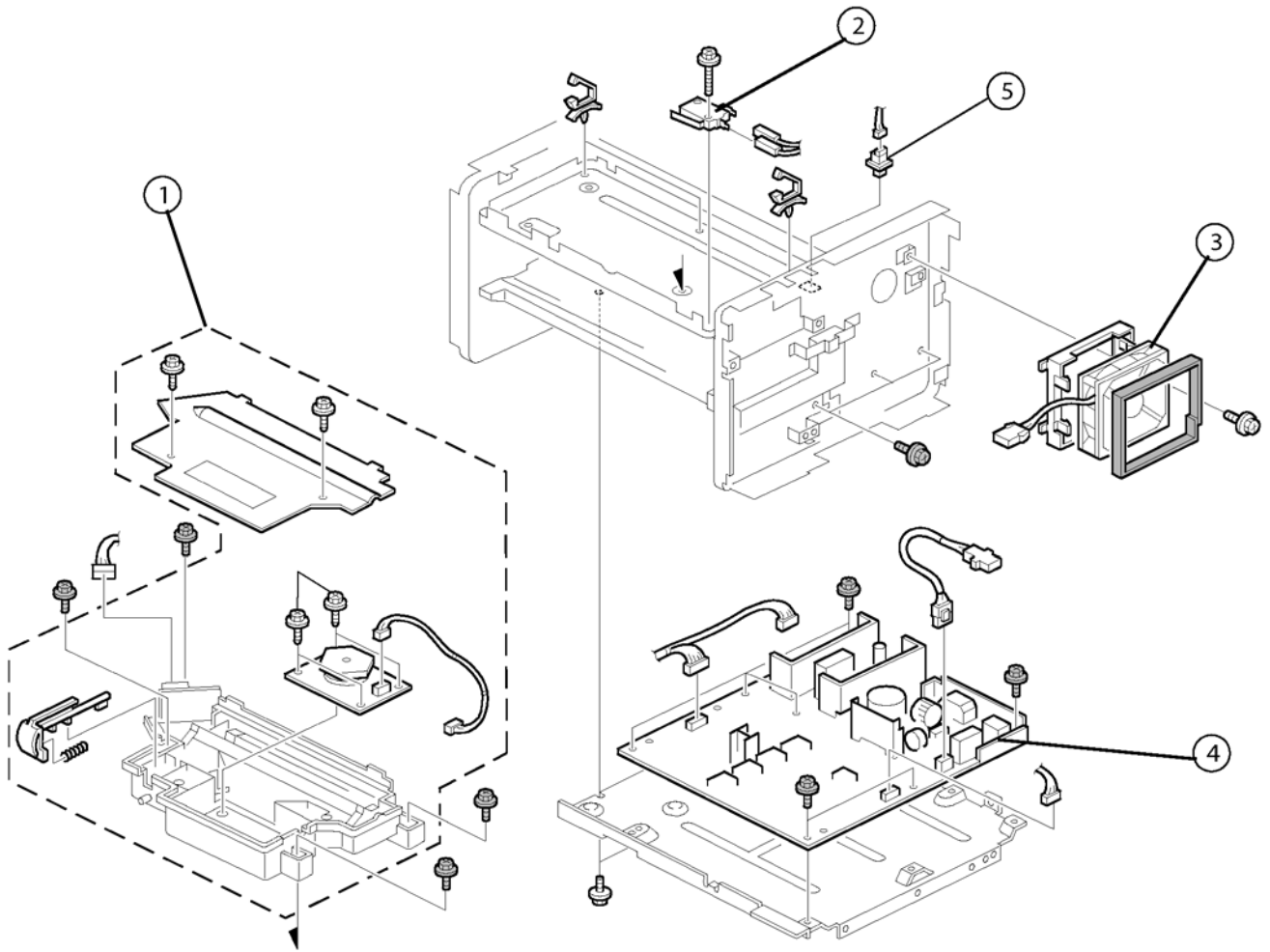
PL 12 Fuser



PL 12 Fuser

ITEM No.	REFERENCE	DESCRIPTION	QTY	R
1	126N00298	Unité de fusion Fuser (220V)	1	REP 25
1	126N00297	Unité de fusion Fuser (110V)	1	REP 25
2	130N01542	Fusing thermistor	1	REP 29
3	126N00300	Heater (220V)	1	REP 27
3	126N00299	Heater (110V)	1	REP 27

PL 13 Power Supply and Laser Unit



PL 13 Power Supply and Laser Unit

ITEM No.	REFERENCE	DESCRIPTION	QTY	R
1	122N00280	Laser unit	1	REP 24
2	110N01425	Micro switch	1	
3	127N07575	Fan assembly	1	REP 35
4	105N02149	Power supply unit (220V)	1	REP 17
	105N02148	Power supply unit (110)	1	REP 17
5	110N01426	Push switch	1	