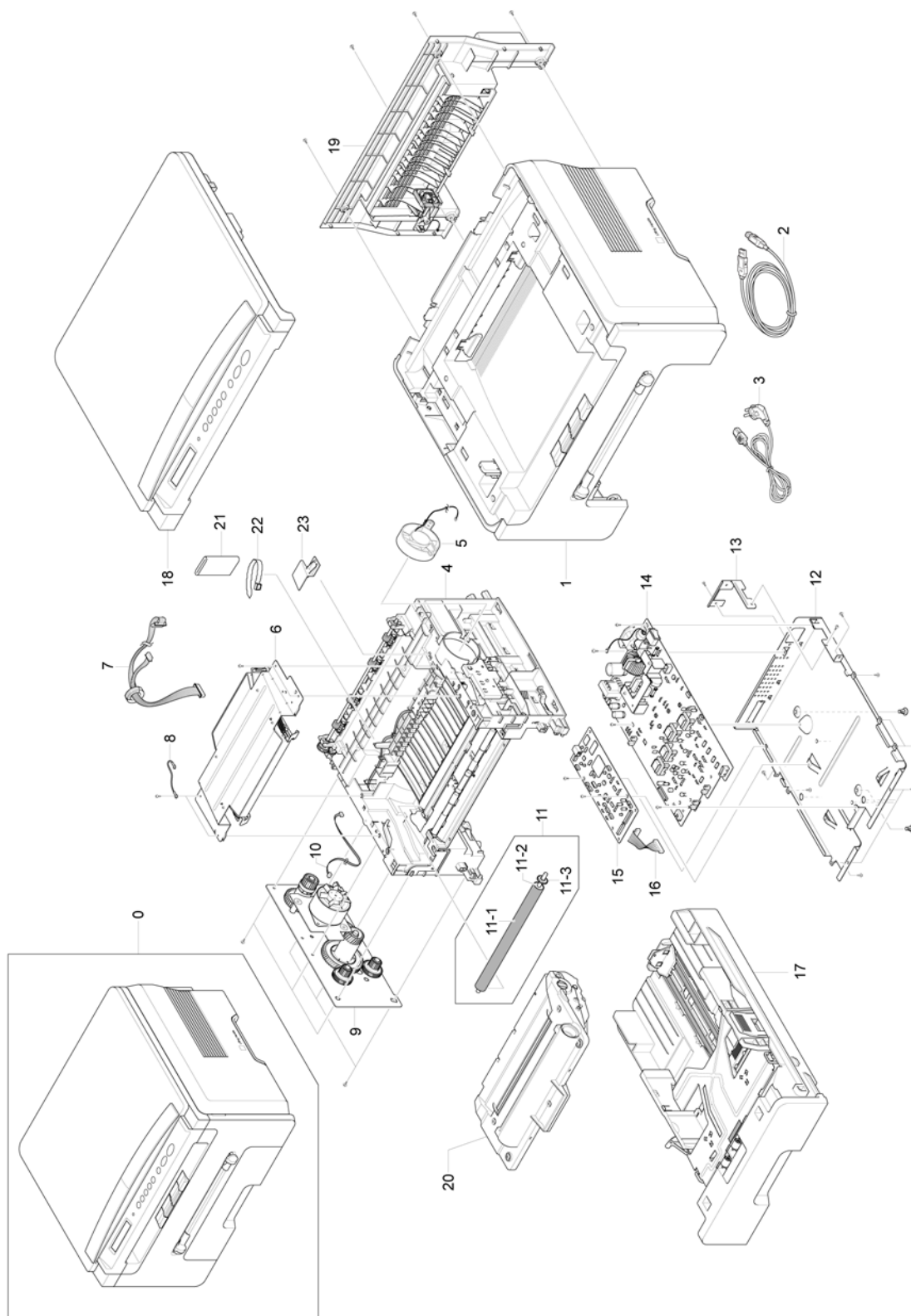


## 5. Перечень запасных частей

PL 1 Главный узел.....	5-2
PL 2 Узел основания корпуса.....	5-4
PL 3 Узел рамы (1).....	5-6
PL 4 Узел рамы (2).....	5-8
PL 5 Узел фьюзера.....	5-10
PL 6 Узел привода.....	5-12
PL 7 Узел сканера.....	5-14
PL 8 Узел панели оператора OPE.....	5-16
PL 9 Узел кассеты.....	5-18
PL 10 Крепежные детали и элементы сервисного обслуживания.....	5-20

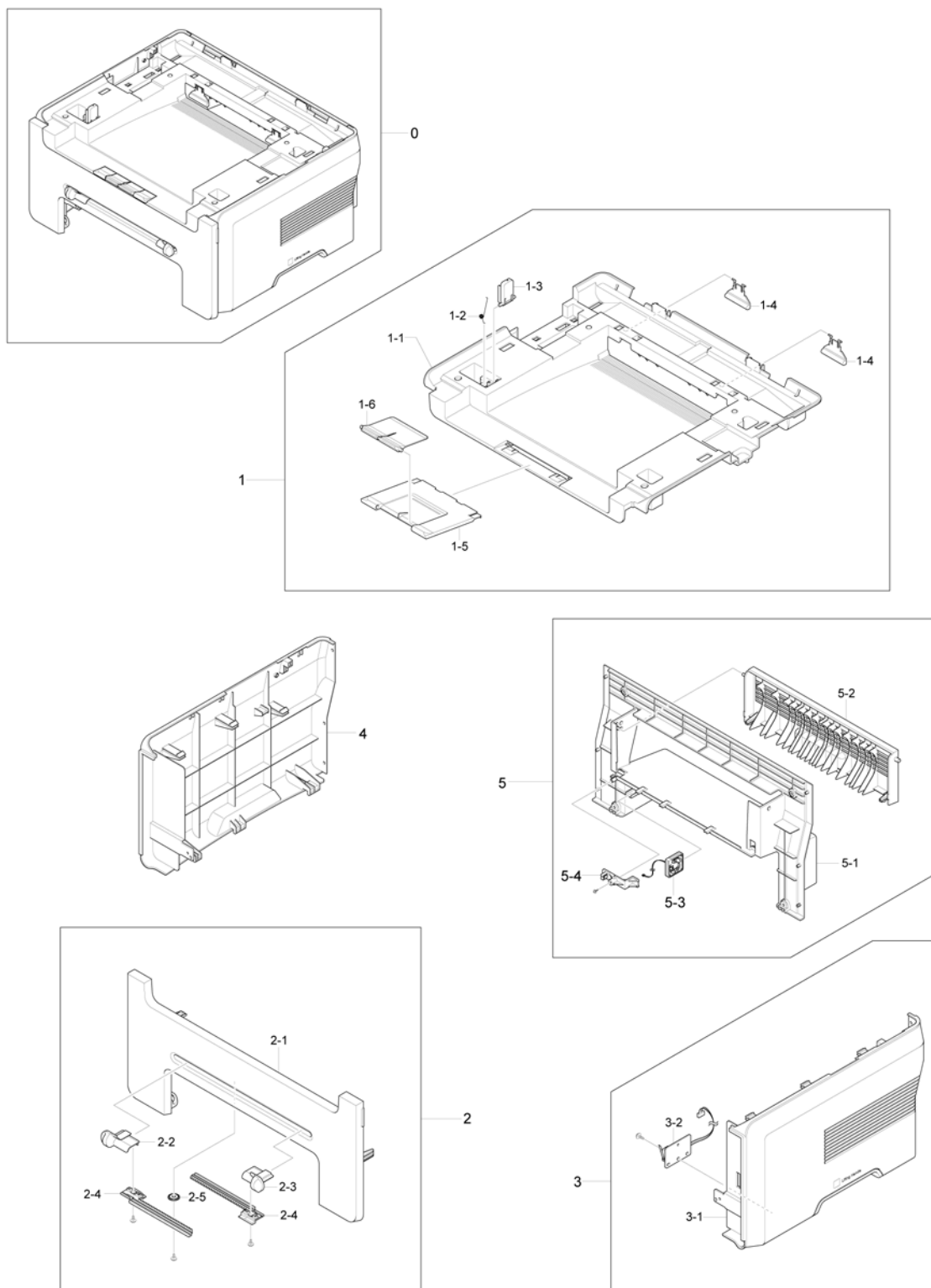
# PL 1 Главный узел



## PL 1 Главный узел

Номер	Номер по каталогу	Описание	Примечание
0		WORKCENTRE 3119	
1		ELA HOU BASE-HOUSING	
2		USB CABLE	REFER TO PL 10, ITEM 5
3	105N02072	CBF-POWER CORD	
4		FRAME ASSEMBLY	REFER TO PL 3, ITEM 0
5	127N07521	TONER FAN (DC_HAWK)	REP 11
6	062N00274	UNIT-HUMMING_VE LSU	REP 10
7		CBF HARNESS-OPE	
8	152N11596	CBF HARNESS-LSU	
9		DRIVE ASSEMBLY	REFER TO PL 6, ITEM 0
10		MOTOR HARNESS	
11		TRANSFER ROLLER	REP 16
11-1	022N02266	ROLLER TRANSFER SPONGE	
11-2		PPR-SPACER_TR	
11-3	007N01548	GEAR_TRANSFER	
12	055N00289	SHIELD ENGINE ASSEMBLY	REP 12
13	030N00705	BRACKET-P-INLET	
14	105N02110	SMPS/HVPS 220V	REP 14
	105N02050	SMPS/HVPS 110V	REP 14
15	140N63204	MAIN PBA	REP 13
16	152N11597	CBF HARNESS-ENGINE	
17		CASSETTE ASSEMBLY	REFER TO PL 9, ITEM 0
18		SCAN ASSEMBLY	REFER TO PL 7, ITEM 0
19	002N02611	REAR COVER	REFER TO PL 2, ITEM 5
20		ELA UNIT-DEVE	
21		CIS HARNESS BRACKET	
22		ADJUSTABLE CABLE TIE	
23	021N02254	CAP M LSU	

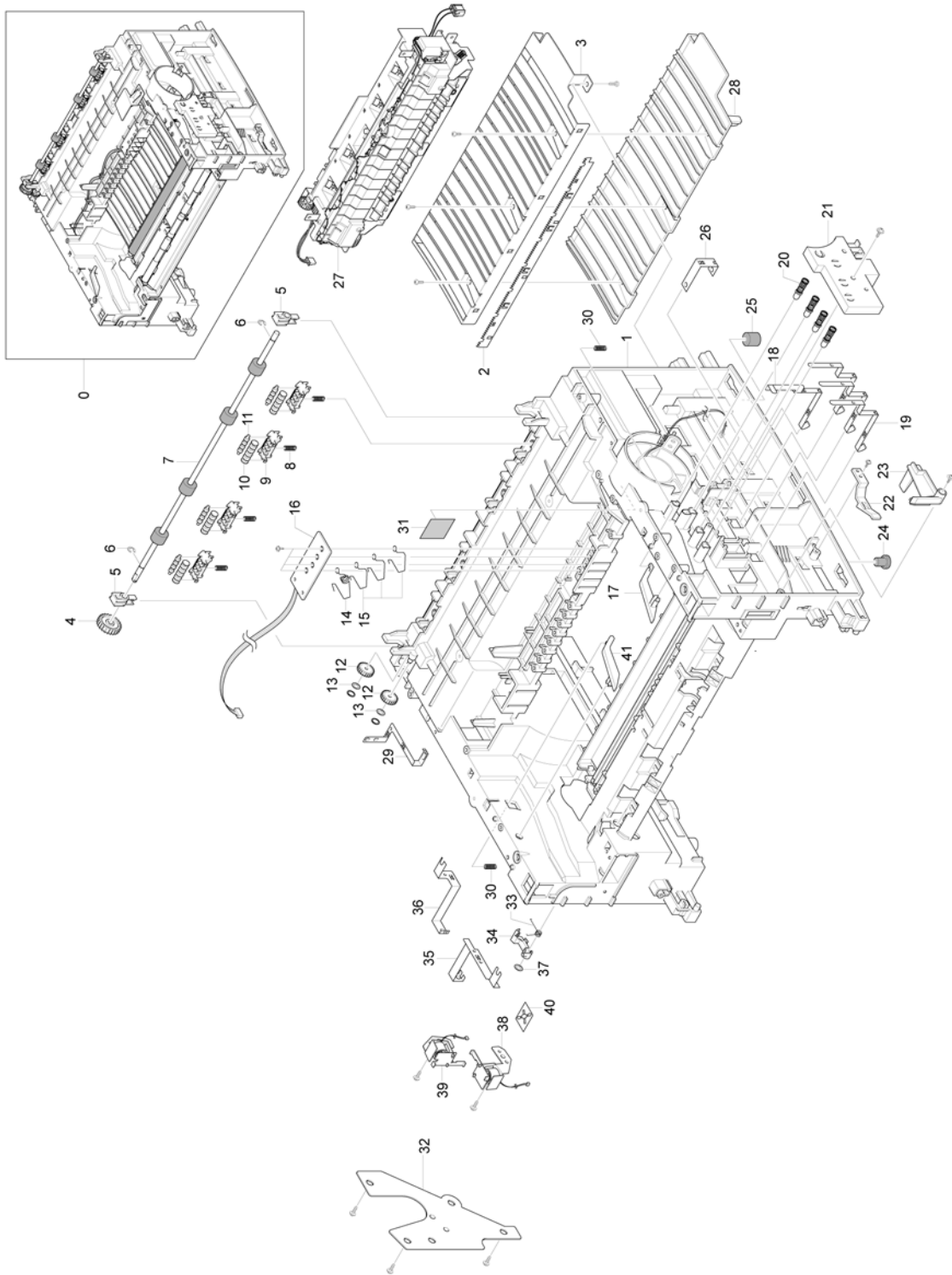
## PL 2 Узел основания корпуса



## PL 2 Узел основания корпуса

Номер	Номер по каталогу	Описание	Примечание
0		HOUSING BASE ASSEMBLY	
1	002N02610	MIDDLE COVER UNIT	REP 8
1-1		MIDDLE_COVER-MAIN_FRAME	
1-2		SPRING ETC-TS-CHARGE APOLLO	
1-3		STOPPER-M-LEVER	
1-4		PMO-SUB_M_STACKER	
1-5	038N00500	STACKER-M-LARGE	
1-6	038N00501	STACKER-M-SMALL	
2	002N02614	FRONT COVER	REP 1
2-1		COVER-M-FRONT	
2-2		ADJUST-M_MANUAL_L	
2-3		ADJUST-M_MANUAL_R	
2-4		ADJUST RACK-M-MANUAL	
2-5		GEAR-RACK_PINION	
3	002N02613	RIGHT SIDE COVER	REP 4
3-1		COVER-M-SIDE R	
3-2		COVER OPEN MICRO SWITCH	
4	002N02612	LEFT SIDE COVER	REP 5
5	002N02611	REAR COVER	REP 2
5-1		COVER-M-REAR	
5-2		COVER-M-REAR DOOR	
5-3	127N07354	FUSER FAN (DC 24V)	REP 3
5-4	152N11729	HOLDER-M_HARNESS	

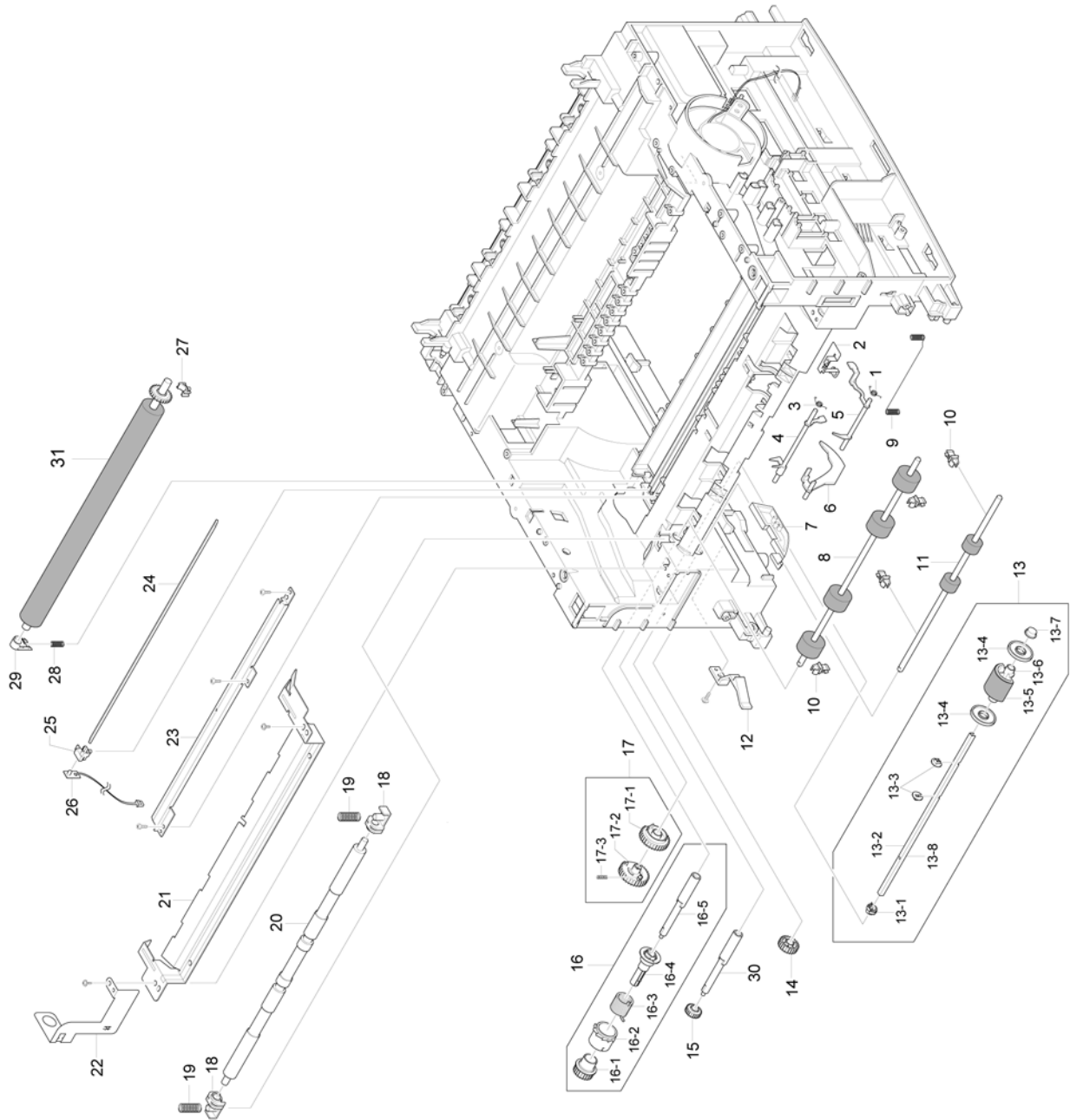
# PL 3 Узел рамы (1)



## PL 3 Узел рамы (1)

Номер	Номер по каталогу	Описание	Примечание
0	001N00487	ELA UNIT-FRAME LOWER (220V)	
	001N00488	ELA UNIT-FRAME LOWER (110V)	
1		FRAME_M_BASE	
2	015N00548	PLATE_P_SAW	
3	038N00408	PLATE-M-TR	
4		GEAR-EXIT	
5		HOLDER BEARING EXIT	
6		E-CLIP	
7	022N02269	EXIT ROLLER	REP 19
8	009N01522	SPRING-CS	
9	019N00819	HOLDER-M_EXIT	
10		PMO-M-ROLLER EXIT MAIN	
11		PMO-M-ROLLER EXIT FR	
12		PMO-GEAR_EXIT_DRV16	
13		WASHER	
14		GUIDE-M-KNOCK UP	
15		IPR-P-TERMINAL DEV KEY	
16		CRUM PBA	REP 15
17	032N00433	PMO-PLATE GUIDE DEV RIGHT	
18		PLATE-P-TERMINAL CR	
19		IPR-P-TERMINAL CON	
20	116N00241	MEC-TERMINAL	
21	115N00870	HOUSING-M-TERMINAL	
22	003N00947	PMO-LOCKER CST	
23	120N00460	PMO ACTUATOR CVR OPEN	
24		FOOT-FRONT	
25		FOOT-BACK	
26		IPR-P-GROUND_TR	
27		FUSER UNIT	REFER TO PL 5, ITEM 0
28		GUIDE-M-TR LOWER	
29		IPR-P-GROUND_FUSER	
30		SPRING ETC-GUIDE DEV	
31		LABEL(R)-HV FUSER	
32	022N02131	BRACKET-P-FEED	
33		SPRING-TS	
34	130N01375	CAM-M-PICK_UP	
35		IPR-GROUND_DRIVE	
36		IPR-GROUND_DRIVE2	
37		RING-CS	
38	121N01088	SOLENOID HB (BYPASS)	REP 18
39	130N01376	SOLENOID HB (PICKUP)	REP 18
40		RUBBER SEAT	
41	032N00434	PMO-PLATE GUIDE DEV LEFT	

## PL 4 Узел рамы (2)

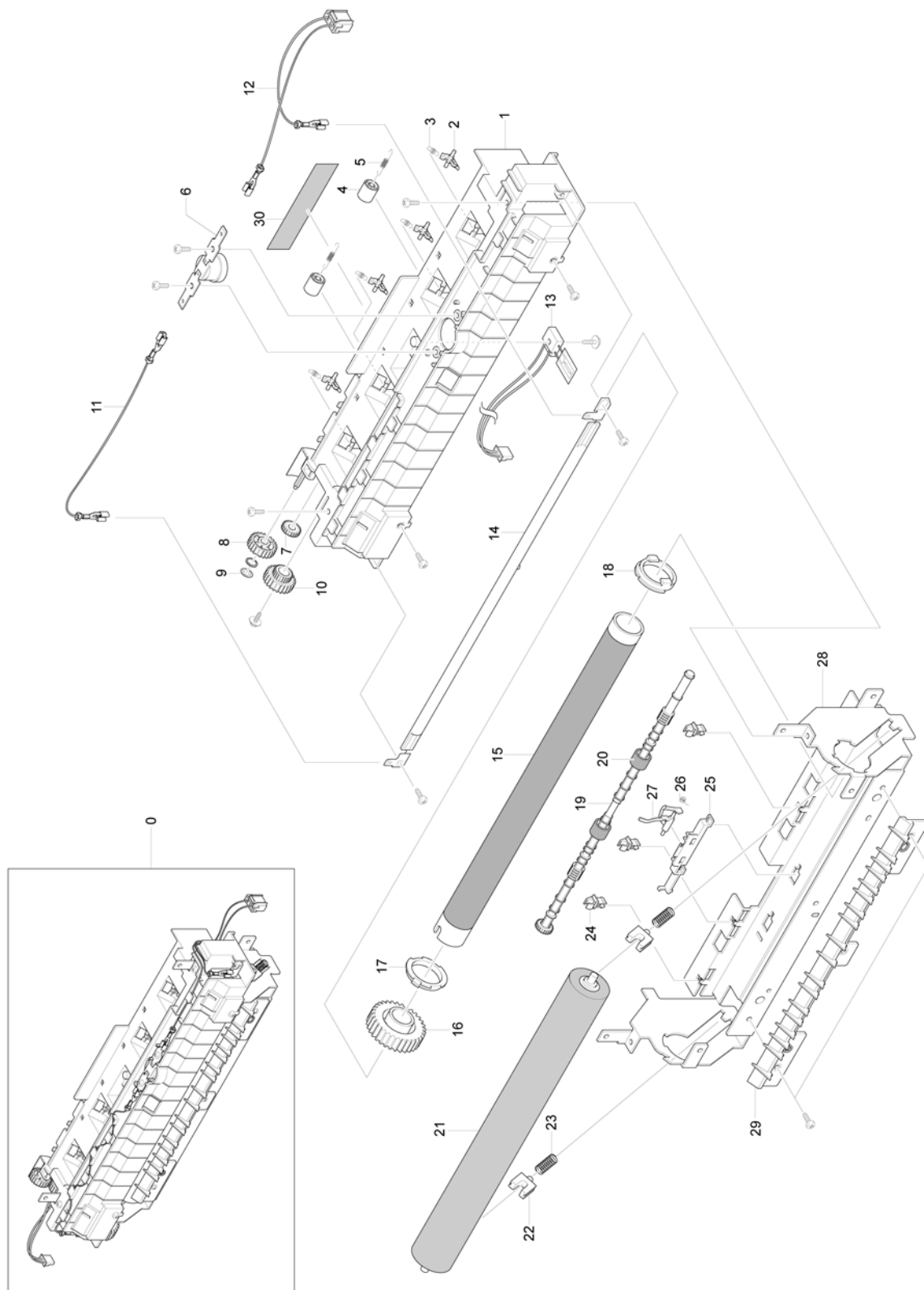




## PL 4 Узел рамы (2)

Номер	Номер по каталогу	Описание	Примечание
1		SPRING TS	
2		IPR-P-GROUND EARTH TR	
3		SPRING TS	
4	022N02127	FEED SENSOR ACTUATOR	
5	709N00007	BYPASS SENSOR ACTUATOR	
6	121N01087	PAPER SENSOR ACTUATOR	
7		FRAME EXT	
8	022N02128	FEED ROLLER 1	REP 17
9		SPRING-ETC	
10	022N02129	PMO-BUSHING FEED	
11	022N02130	FEED ROLLER	REP 17
12		PMO-LOCKER CST	
13	130N01378	PICKUP ROLLER	REP 18
13-1		BUSH-M-PICKUP LEFT	
13-2		SHAFT-P-PICKUP	
13-3		STOPPER-PICKUP	
13-4		PMO-IDLE-PICKUP	
13-5		SPONGE-ROLLER-PICKUP	
13-6		BUSH-M-PICKUP RIGHT	
13-7		HOUSING-M-PICKUP	
13-8		REINFORCEMENT BAR	
14		GEAR IDLE 23	
15		GEAR FEED 2	
16	121N01141	MEA-UNIT_CLUTCH	
16-1		GEAR FEED 1	
16-2		PMO-COLLAR SPRING	
16-3		SPRING TS	
16-4		PMO-HUB CLUTCH	
16-5		FEED1 SHAFT	
17	130N01377	AS GEAR PICKUP	
17-1		PMO-GEAR PICKUP B	
17-2		PMO-GEAR PICKUP A	
17-3		SPRING-CS	
18		BUSH-M-FEED_IDLE	
19		SPRING-ETC TR	
20		SHAFT-FEED IDLE	
21	038N00409	GUIDE PAPER	
22		IPR-P-GROUND_GUIDE PAPER	
23	115N00854	IPR-P-EARTH TRANSFER	
24	062N00259	PTL LENS	
25		HOLDER-PTL	
26	140N62968	PTL PBA	
27		PMO-BUSHING TR R	
28		SPRING ETC-TR LEFT HAWK	
29		BUSH-M-TR-LEFT	
30		SHAFT FEED	

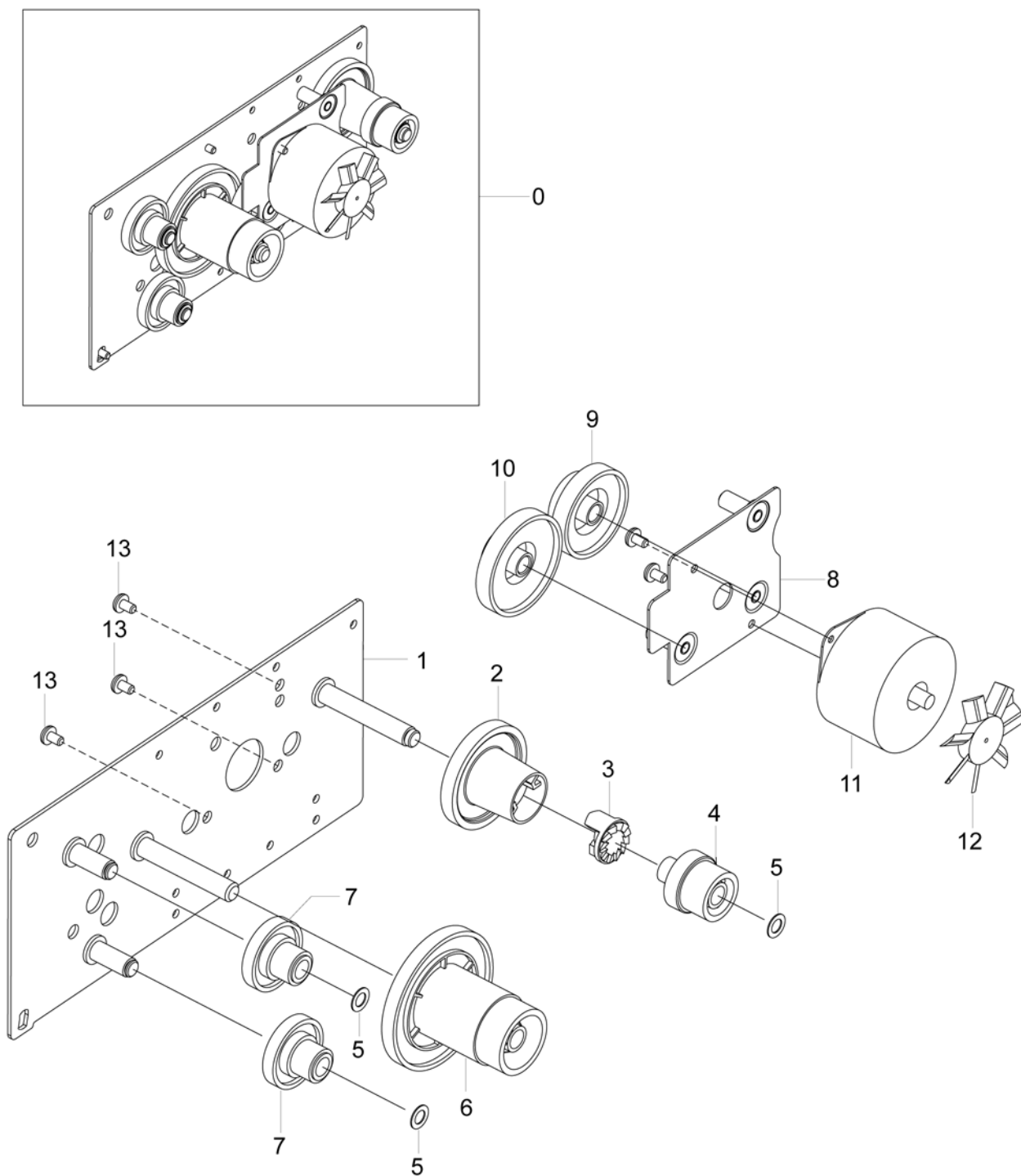
## PL 5 Узел фьюзера



## PL 5 Узел фьюзера

Номер	Номер по каталогу	Описание	Примечание
0	126N00259	FUSER 220V	REP 9
0	126N00260	FUSER 110V	REP 9
1		COVER-M-FUSER	
2		STRIPPER FINGER	
3		STRIPPER FINGER SPRING	
4		PMO-ROLLER_EXIT	
5		SPRING ETC-FUSER EXIT	
6	130N01485	THERMOSTAT	
7		GEAR 25	
8		GEAR 15	
9		E-CLIP	
10	007N01550	GEAR-RDCN 25/15	
11	152N11628	CBF HARNESS-FUSER JOINT	
12	152N11728	HARNESS-FUSER (220V)	
	152N11730	HARNESS-FUSER (110V)	
13	130N01380	THERMISTOR	
14	122N00256	LAMP-HALOGEN 220V	
	122N00246	LAMP-HALOGEN 110V	
15	022N02267	HEAT ROLLER	
16		GEAR-FUSER	
17		BUSH-M-HR R	
18		BUSH-M-HR L	
19		ROLLER-M-EXIT F/UP	
20		RMO-RUBBER_EXIT	
21	022N02268	PRESSURE ROLLER	
22		BEARING-PRESSURE	
23		SPRING-CS	
24		PMO-BUSHING TX	
25		HOLDER-ACTUATOR	
26		SPRING	
27	120N00461	EXIT SENSOR ACTUATOR	
28		IPR-P-FRAME_FUSER	
29		GUIDE-M-INPUT	
30		LABEL(P)-CAUTION HOT	

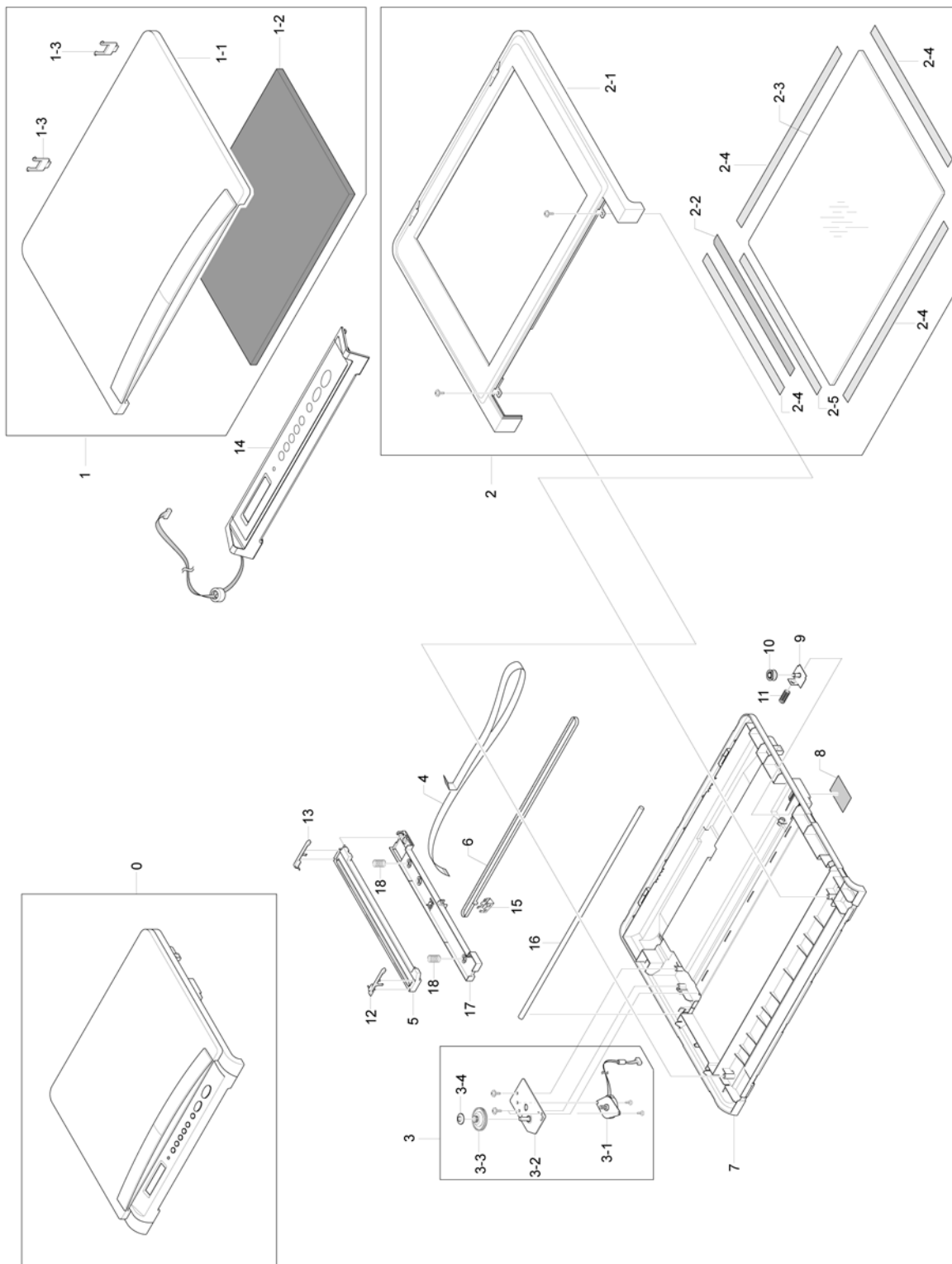
## PL 6 Узел привода



## PL 6 Узел привода

Номер	Номер по каталогу	Описание	Примечание
0	007N01551	DRIVE ASSEMBLY	REP 20
1		BRACKET-P-GEAR 1400	
2		GEAR-DRV FUSER IN	
3		GEAR-HUB CLUTCH	
4		GEAR-DRV FUSER OUT	
5		WASHER PLAIN	
6		GEAR-RDCN 113/33	
7		GEAR-RDCN 57/18	
8		BRACKET-P-MOTOR 1400	
9		GEAR-RDCN 90/31	
10		GEAR RDCN 103/41	
11		STEPPER MOTOR (DRIVE)	
12		PMO-IMPELLER_DRV	
13		MACHINE SCREW	

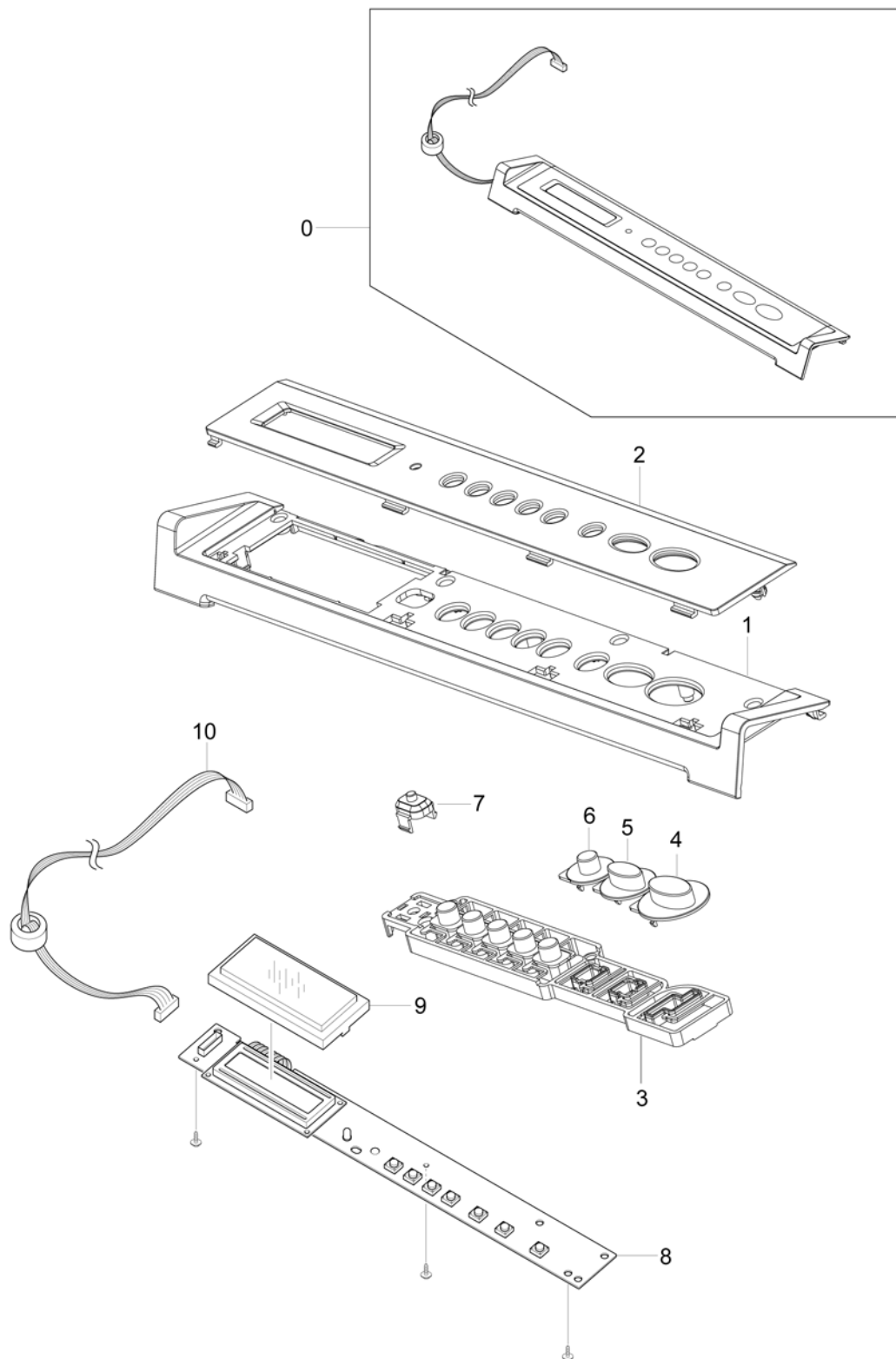
## PL 7 Узел сканера



## PL 7 Узел сканера

Номер	Номер по каталогу	Описание	Примечание
0	062N00275	SCAN ASSEMBLY	REP 6
1	002N02615	PLATEN COVER	
1-1	002N02616	COVER-M-PLATEN	
1-2		SHEET-WHITE SPONGE	
1-3		HINGE-M_PIVOT	
2		ELA UNIT- SCAN UPPER ASSEMBLY	
2-1	002N02617	ELA-UNIT-SCAN UPPER	
2-2		LABEL(P)-SHADING	
2-3		GLASS-PLATEN	
2-4		TAPE	
2-5		GLASS-PLATEN TAPE	
3	007N01552	SCAN MOTOR ASSEMBLY	
3-1		MOTOR STEP-SCAN UPPER	
3-2		BRACKET MOTOR-P-SCAN	
3-3	007N01549	BELT-TIMING GEAR	
3-4		GEAR-M_PULLEY	
4		CBF SIGNAL-CIS HARNESS	
5	130N01484	CIS (CONTACT IMAGE SENSOR)	
6		BELT	
7	002N02618	COVER SCAN LOWER	
8		SHEET-SCAN LOWER	
9		BRACKET-P-PULLEY	
10		PULLEY-M_IDLE	
11		SPRING-CS	
12		SLIDER-M_CIS R	
13		SLIDER-M_CIS L	
14		ELA UNIT-OPE	
15		BELT CLIP	
16		CIS SUPPORT BAR	
17		CIS BRACKET	
18		SPRING	

## PL 8 Узел панели оператора OPE

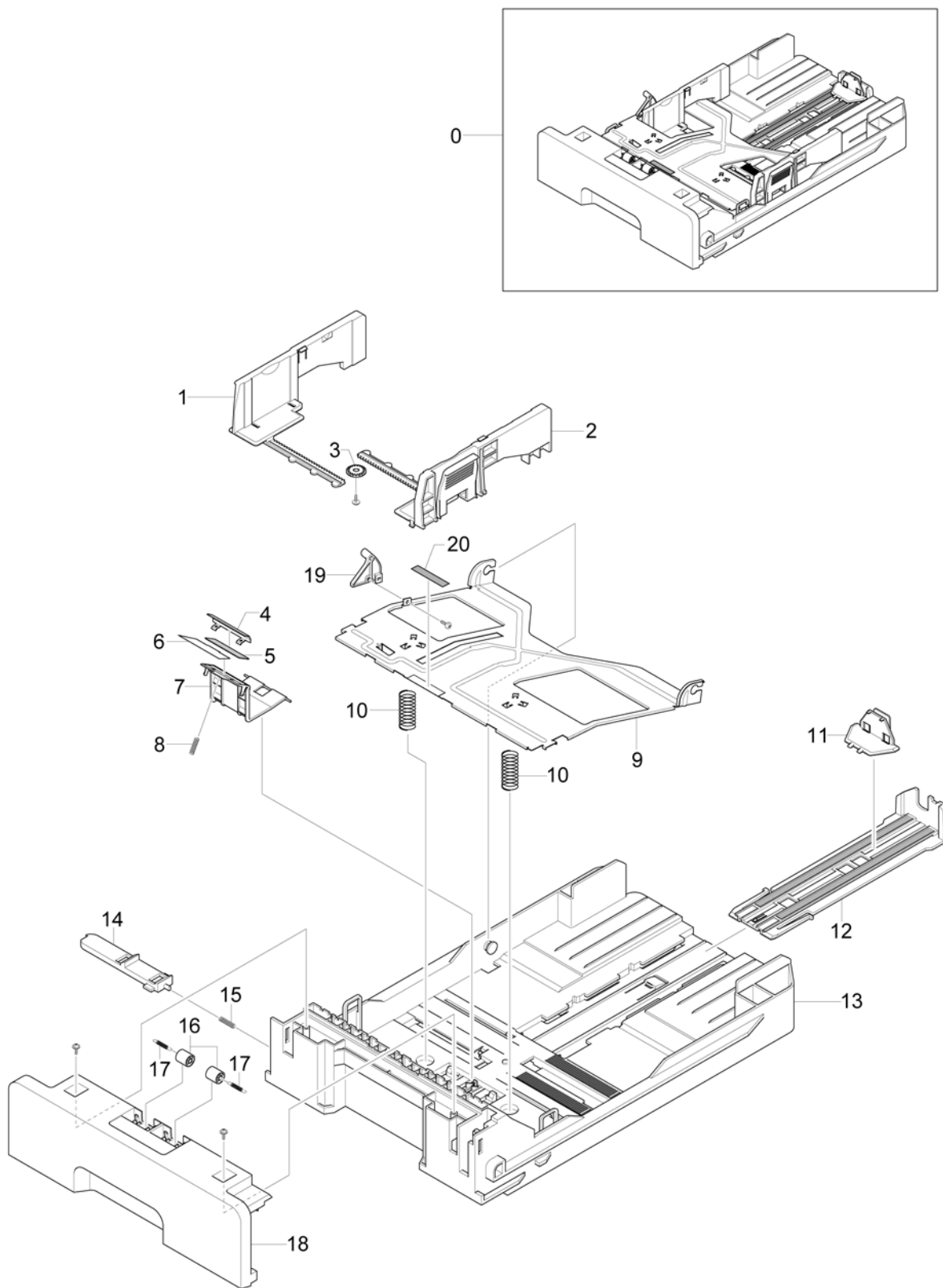




## PL 8 Узел панели оператора OPE

Номер	Номер по каталогу	Описание	Примечание
0		OPE ASSEMBLY	REP 7
1	002N02619	COVER-M-PANEL	
2	002N02620	OPE PANEL	
3	003N01015	KEY-M-MENU	
4	003N01013	KEY-M-START	
5	003N01014	KEY-M-STOP	
6		KEY-M-COPIES	
7	021N02253	CAP-M-LED	
8	101N01405	PBA SUB-PANEL	
9		DISPLAY SCREEN	
10		HARNES OPE	

## PL 9 Узел кассеты



## PL 9 Узел кассеты

Номер	Номер по каталогу	Описание	Примечание
0	050N00497	CASSETTE ASSEMBLY	
1		ADJUST-M-CASSETTE_L	
2		ADJUST-M-CASSETTE_R	
3		GEAR-PINION	
4	019N00820	IPR-PLATE	
5	019N00821	RPR-FRICTION PAD	
6		SHEET-HOLDER PAD	
7	019N00822	HOLDER-M-PAD	
8		SPRING ETC-LOCKER	
9		PLATE-P-KNOCK_UP	
10		SPRING-CS	
11		PMO-EXTENSION SMALL	
12		GUIDE-M-EXTENSION	
13		FRAME-M_CASSETTE	
14		BRACKET	
15		SPRING	
16		ROLLER	
17		SPRING	
18		CASSETTE-COVER_SIDE	

## PL 10 Крепежные детали и элементы сервисного обслуживания

### PL 10 Крепежные детали и элементы сервисного обслуживания

Номер	Номер по каталогу	Описание	Примечание
0	038N00483	QUICK SETUP GUIDE (Краткое руководство по установке)	
1	095N00286	MAIN PACKAGING BOX	
2	705N00022	ELECT USER GUIDE	
3	705N00023	PRINT DRIVE CD	
4	705N00024	SCANSOFT CD	
5	095N00280	CABLE BAG DMO-W	
	095N00281	CABLE BAG BRAZIL	