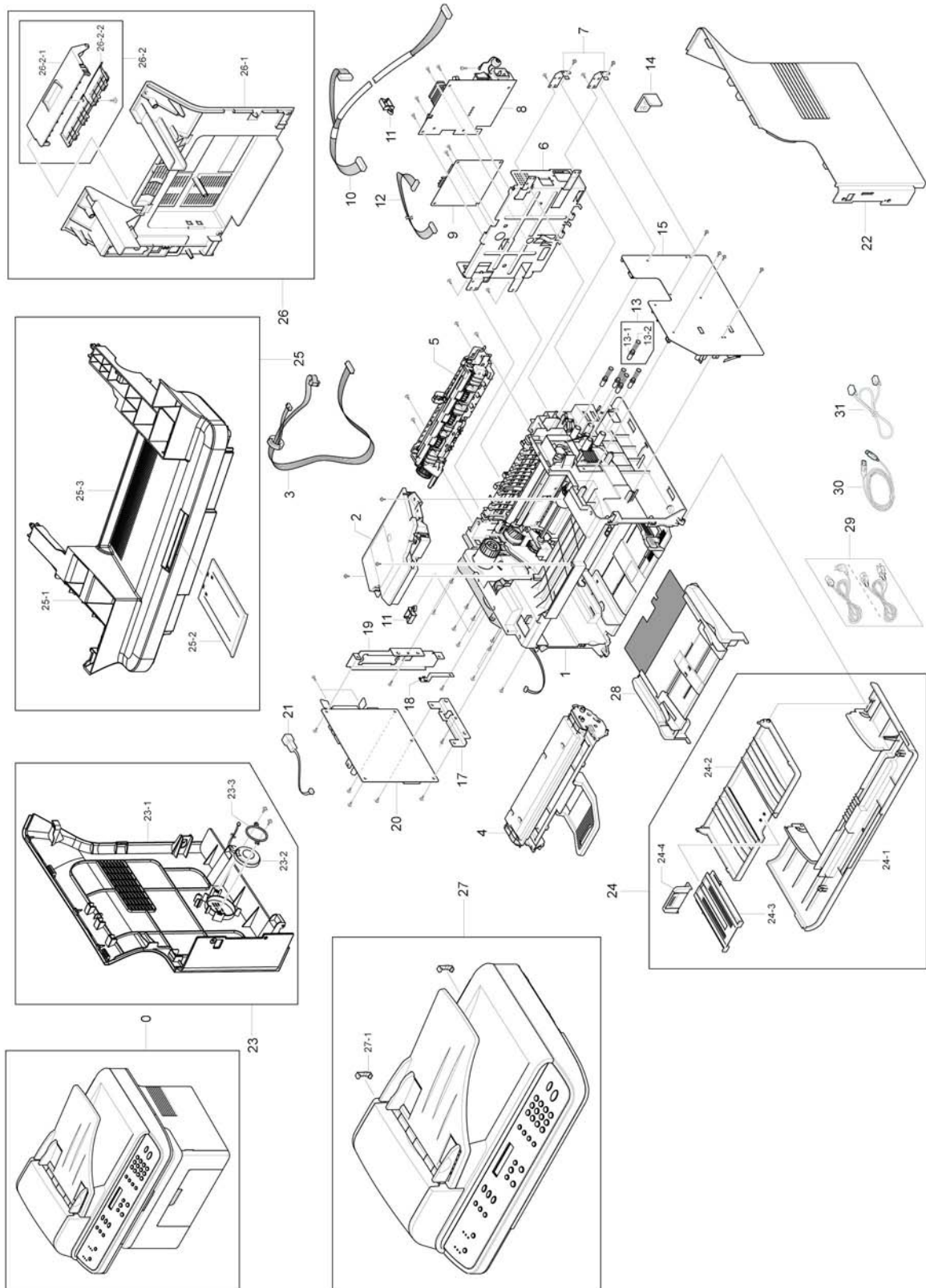


5. Spare Parts List

PL 1 Main Assembly [5-2](#)
PL 2 ADF Assembly [5-4](#)
PL 3 Platen Cover Assembly [5-6](#)
PL 4 ADF Platen Assembly [5-8](#)
PL 5 OPE Unit [5-10](#)
PL 6 Paper Path Assembly [5-12](#)
PL 7 Fuser Unit [5-14](#)
PL 8 Main Frame Assembly [5-16](#)
PL 9 MP Tray Assembly [5-18](#)
PL 10 Common Hardware & General Service Items [5-20](#)

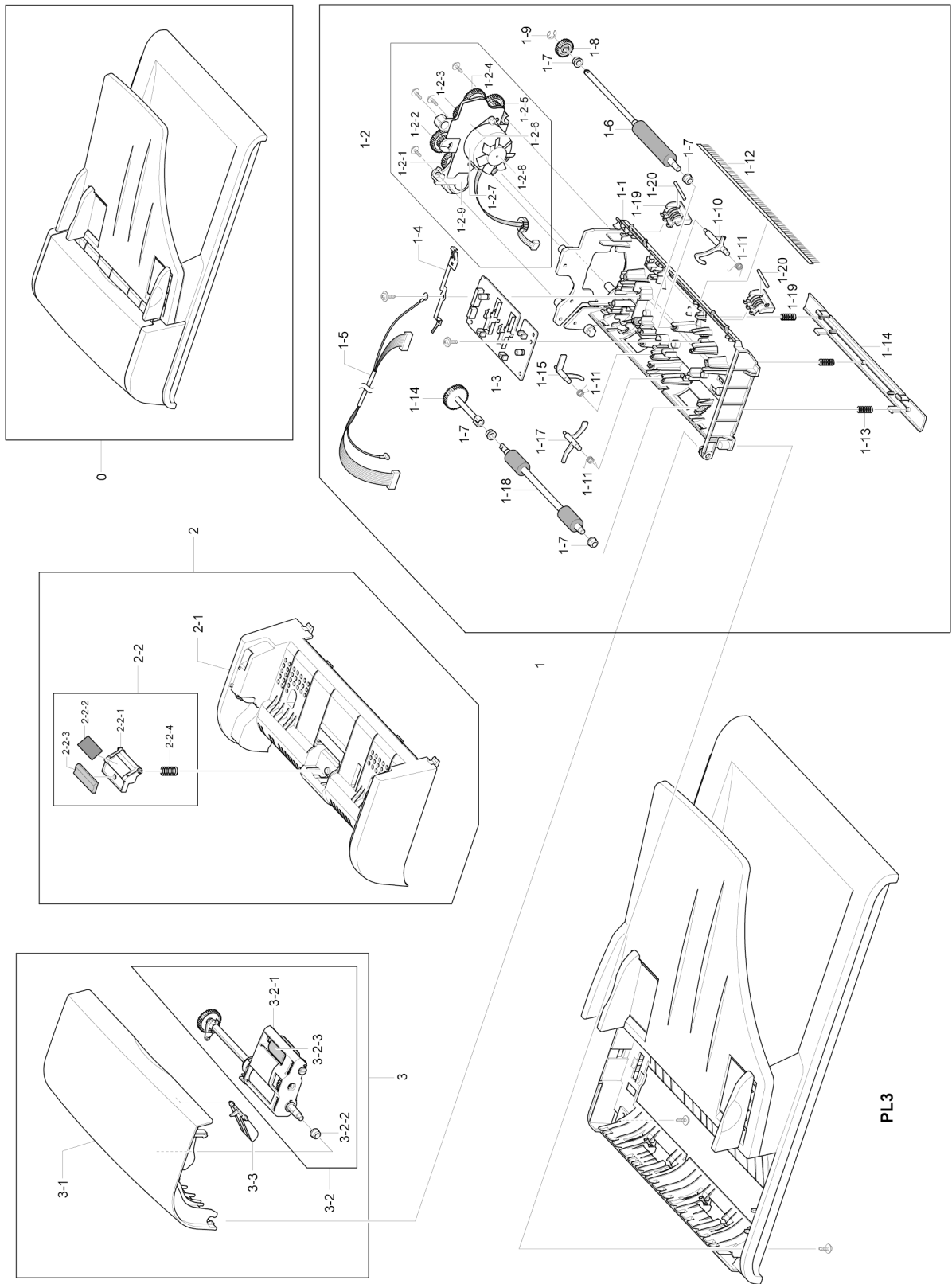
PL 1 Main Assembly



PL 1 Main Assembly

Item	Part Number	Description	Qt'y	Remark
0		SET		
1		ELA HOU-FRAME LOWER (REFER TO PL 8)	1	
2	122N00243	UNIT-LSU	1	
3		CBF HARNESS-LSU	1	
4		INITIAL(1K) PRINT CARTRIDGE	1	
5	101N01380	FUSER_110V (REFER TO PL 7)	1	
5	101N01381	FUSER_220V (REFER TO PL 7)	1	
6		SHEILD-P-ENGINE	1	
7		GROUND-P-HVPS	2	
8	105N02066	SMPS 110V	1	
8	105N02067	SMPS 220V	1	
9	140N63039	PBA SUB-LIU WESTERN EUROPE	1	
9	140N63038	PBA SUB-LIU US/CANADA/SAUDI ARABIA/RUSSIA...	1	
10		CBF HARNESS HVPS	1	
11		HARNESS CLAMP	1	
12		CBF HARNESS LIU	1	
13	116N00244	ELA UNIT-TERMINAL TR L	5	
13-1		SPRING ETC-HV LARGE	1	
13-2		ICT-SHAFT HV LARGE	1	
14	015N00557	PLATE-P-CHANNEL	1	
15	105N02068	HVPS	1	
16	NOT USED			
17		BRACKET-P-MAIN BOARD	1	
18	117N01691	GROUND-P-MAIN BOARD	1	
19	030N00711	BRACKET-P-PORT	1	
20	140N63040	PBA MAIN	1	
21		ELA HOU-FULL SENSOR HARNESS	1	
21-1		PHOTO INTERRUPTER	1	
21-2		CBF HARNESS-JAM_SENSOR	1	
22	002N02429	COVER-M-SIDE R	1	
23	002N02430	ELA HOU-COVER SIDE L	1	
23-1	002N02431	COVER-M-SIDE L	1	
23-2	130N01412	SPEAKER	1	
23-3		IPR-UNIT FIXING BRACKET	1	
24	002N02432	MEA-COVER FRONT	1	
24-1		COVER-M-FRONT	1	
24-2	050N00480	TRAY-M-CASSETTE	1	
24-3		TRAY-M-EXTENSION LARGE	1	
24-4		TRAY-M-EXTENSION SMALL	1	
25	002N02433	ELA HOU-COVER MIDDLE	1	
25-1		COVER-M-MIDDLE	1	
25-2		PMO-M-STACKER	1	
25-3		SHEET-FAN	1	
26	002N02435	MEA UNIT-COVER REAR	1	
26-1		COVER-M-REAR	1	
26-2		MEA UNIT-COVER JAM	1	
26-2-1		COVER-M-JAM	1	
26-2-2		COVER-M-JAM DUMMY	1	
27	002N02435	ELA HOU-SCAN (ALSO REFER TO PL 2 , PL 3 & PL 4)	1	
27-1	021N02251	CAP-M-HINGE	2	
28		MEA UNIT-MP TRAY (REFER TO PL 9)	1	
29		AC POWER CORD (US VER.) (REFER TO PL 10)	1	
30		USB CABLE (REFER TO PL 10)	1	
31		TELEPHONE LINE CORD (US VER.) (REFER TO PL 10)	1	

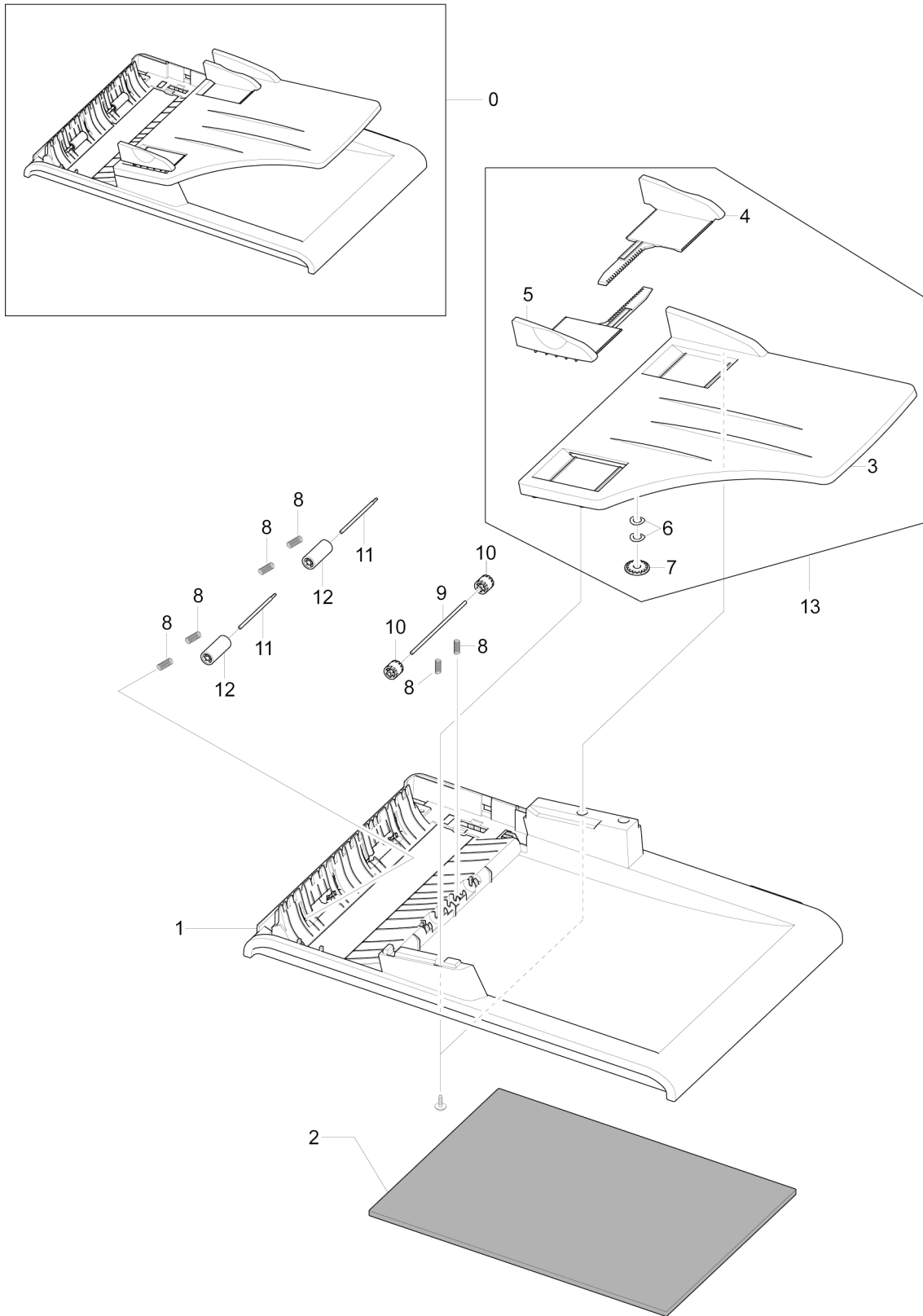
PL 2 ADF Assembly



PL 2 ADF Assembly

Item	Part Number	Description	Qt'y	Remark
0	002N02441	ELA HOU-ADF	1	
1	002N02444	ELA HOU-ADF LOWER	1	
1-1		COVER-M-ADF LOWER	1	
1-2	002N02445	ELA HOU-ADF MOTOR	1	
1-2-1		GEAR-IDLE 35 ADF	3	
1-2-2	007N01369	GEAR-CLUTCH 39	1	
1-2-3		GEAR-SWING 31/20 ADF	1	
1-2-4		GEAR-58/25 ADF	1	
1-2-5	007N01370	GEAR-40/21 ADF	2	
1-2-6		BRACKET-P-MOTOR	1	
1-2-7		MOTOR STEP-ADF	1	
1-2-8		IMPELLER-ADF	1	
1-2-9		BRACKET-M-GEAR	1	
1-3	140N63041	PBA SUB-ADF	1	
1-4		GROUND-P-ADF	1	
1-5		CBF HARNESS-ADF	1	
1-6		ROLLER-DRIVE	1	
1-7	013N13842	PMO-BUSH	4	
1-8	007N01368	SHAFT-M-FEED GEAR 38	1	
1-9		RING-C	1	
1-10	130N01413	PMO-ACTUATOR SCAN SENSOR	1	
1-11	009N01512	SPRING-CS	3	
1-12	115N00856	MEC-BRUSH ANTISTATIC	1	
1-13	009N01513	SPRING ETC-TORSION DOC (CC2-F)	3	
1-14	015N00559	PLATE-M_WHITE BAR	1	
1-15		PMO-ACTUATOR DOC SENSOR	1	
1-16		GEAR-CLUTCH 29	1	
1-17		PMO-ACTUATOR REGI SENSOR	1	
1-18		ROLLER-EXIT	1	
1-19		GUIDE-STACKER SUB	2	
1-20		SHAFT-IDLE FEED	2	
2	002N02446	MEA-ADF UPPER	1	
2-1		COVER-M-ADF UPPER	1	
2-2	500N00107	MEA UNIT-HOLDER ADF	1	
2-2-1		HOLDER-M-ADF	1	
2-2-2	019N00842	SHEET-ADF HOLDER	1	
2-2-3	019N00566	ADF RUBBER	1	
2-2-4	019N00843	SPRING ETC-PAD	1	
3	002N02447	MEA-COVER OPEN	1	
3-1		COVER-M-ADF OPEN	1	
3-2	130N01414	MEA UNIT PICKUP ADF	1	
3-2-1	022N02190	MEC-ADF ROLLER ASSEMBLY	1	
3-2-2	013N13842	PMO-BUSH	1	
3-2-3	022N02191	MEC-PICK UP ROLLER ASSEMBLY	1	
3-3	038N00462	PMO-GUIDE PAPER	1	

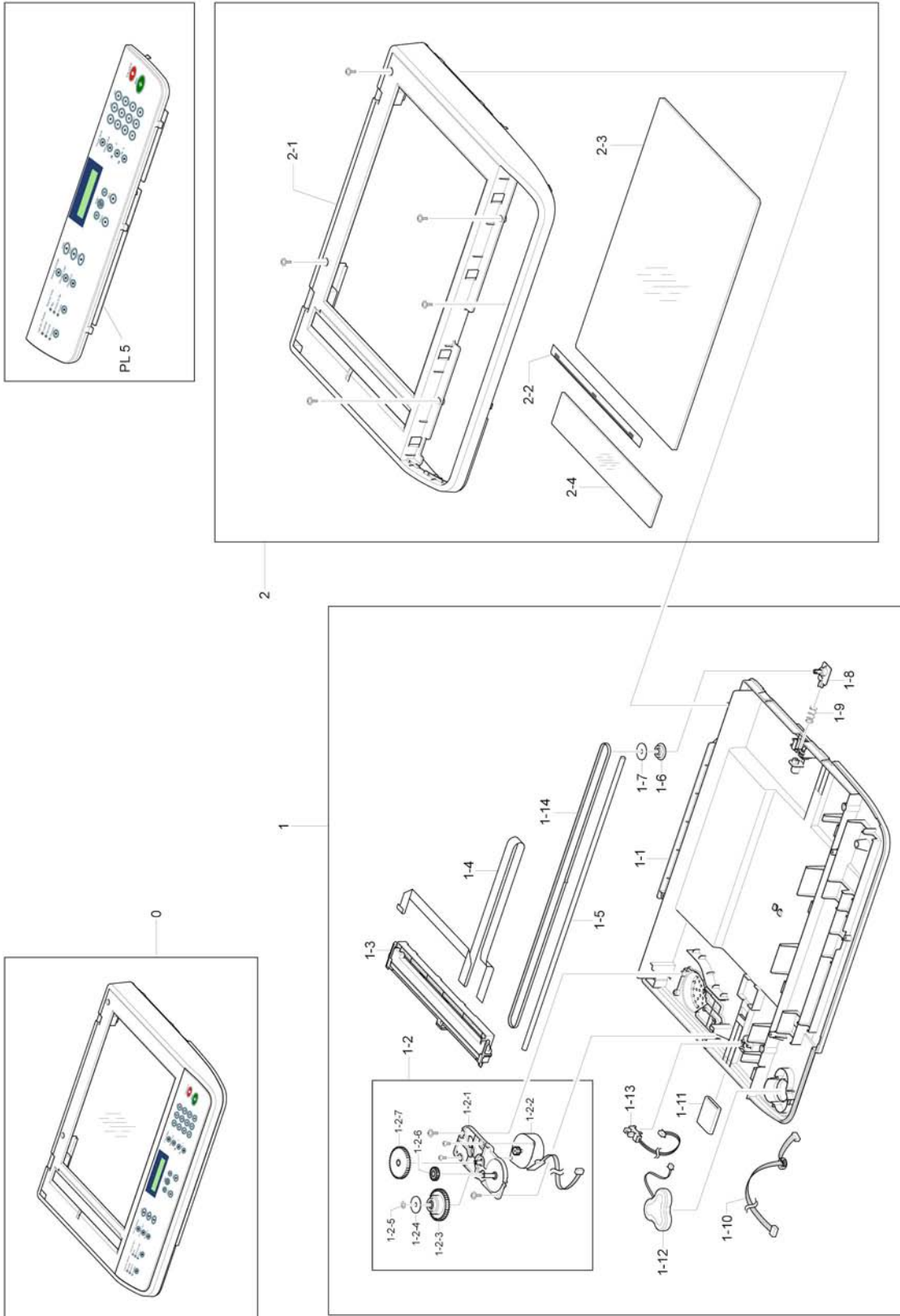
PL 3 Platen Cover Assembly



PL 3 Platen Cover Assembly

Item	Part Number	Description	Qt'y	Remark
0	002N02448	MEA-COVER PLATEN	1	
1	002N02436	COVER-M-PLATEN	1	
2	095N00274	SHEET-WHITE SPONGE	1	
3	038N00405	PMO-TX STACKER	1	
4	38N00410	PMO-DOC GUIDE(R)	1	
5	38N00406	PMO-DOC GUIDE(L)	1	
6	028N00321	IPR-WASHER SPRING CU	2	
7	007N01178	GEAR-PINION	1	
8	009N01514	SPRING ETC-FEED	6	
9		SHAFT PINCH	1	
10	022N02014	PMO-ROLL PINCH	2	
11		SHAFT-IDLE FEED	2	
12	022N02019	RPR-ROLLER EXIT IDLE	2	
13	050N00479	MEA-TX STACKER	1	

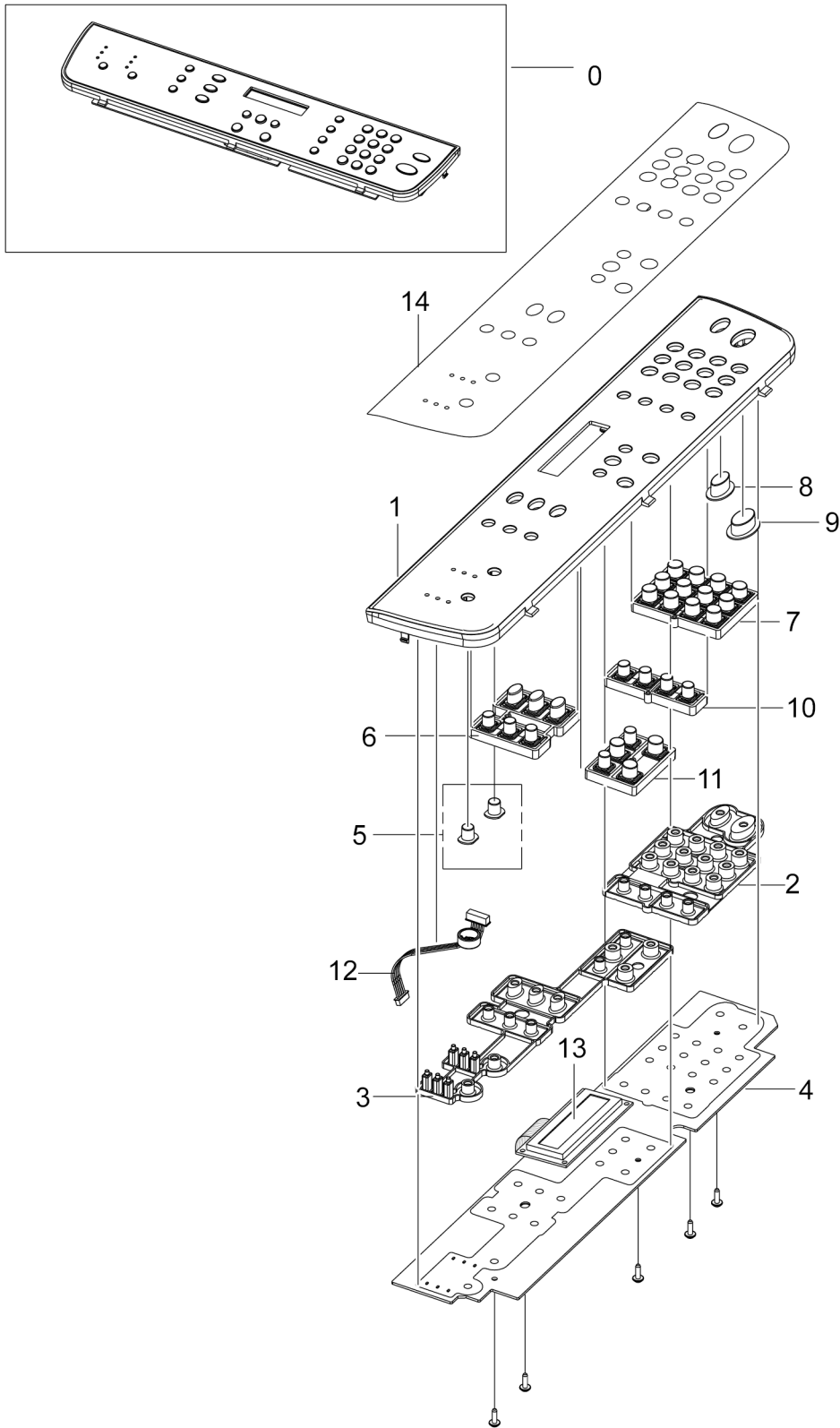
PL 4 ADF Platen Assembly



PL 4 ADF Platen Assembly

Item	Part Number	Description	Qt'y	Remark
0	002N02443	ELA HOU-PLATEN	1	
1	002N02449	ELA HOU-SCAN LOWER	1	
1-1	002N02450	COVER-M-SCAN LOWER	1	
1-2	101N01345	ELA HOU-SCAN MOTOR	1	
1-2-1		BRACKET-M-SCAN MOTOR	1	
1-2-2	127N07398	MOTOR STEP-SCAN	1	
1-2-3		GEAR-TIMING	1	
1-2-4		PMO-HOLDER BELT	1	
1-2-5		RING-E	1	
1-2-6		GEAR-IDLE	1	
1-2-7		GEAR-REDUCTION	1	
1-3	130N01415	CONTACT IMAGE SENSOR (CIS)	1	
1-4		CBF SIGNAL-CIS FFC	1	
1-5		SHAFT-CIS	1	
1-6	023N01140	PMO-HOLDER BELT_1	1	
1-7		PMO-HOLDER BELT_2	1	
1-8		PMO-PULLEY	1	
1-9	009N01515	SPRING ETC-BELT	1	
1-12	121N01112	BATTERY	2	
1-13	152N11632	ELA HOME-FULL SENSOR HARNESS	1	
1-14	109N00542	BELT-TIMING GEAR	1	
2	109N00650	MEA-SCAN UPPER	1	
2-1	002N02438	COVER-M-SCAN UPPER	1	
2-2	091N80223	LABEL(P)-SHADING	1	
2-3	062N00266	GLASS-ADF	1	
2-4	090N00161	GLASS-PLATEN	1	

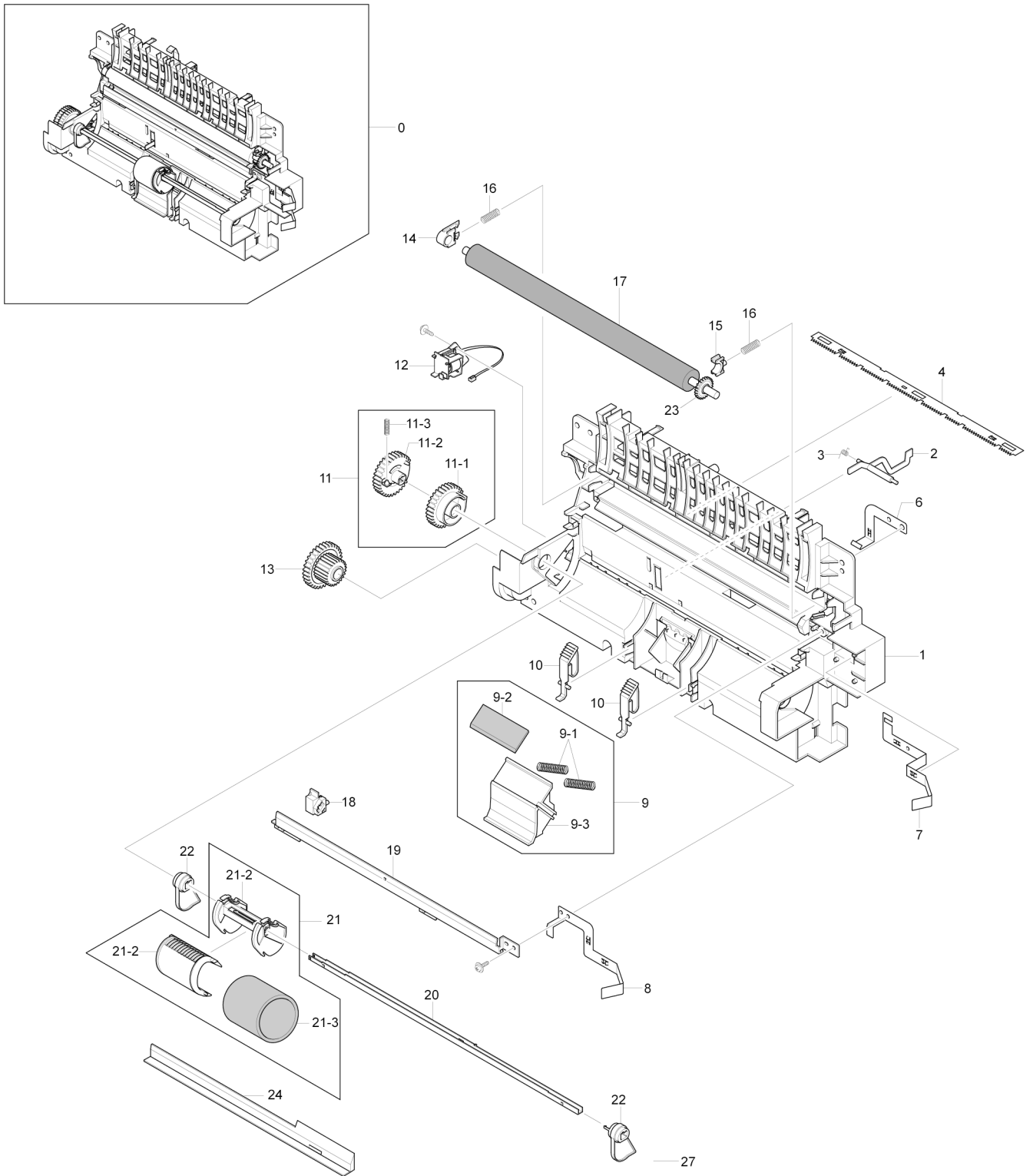
PL 5 OPE Unit



PL 5 OPE Unit

Item	Part Number	Description	Qt'y	Remark
0	002N02442	ELA HOU-OPE(XEROX)	1	
1	002N02437	COVER-M-OPE	1	
2	110N01390	RUBBER-TEL	1	
3	110N01391	RUBBER-SCROLL	1	
4	140N63042	PBA SUB-OPE	1	
5	003N00972	KEY-M_SHIFT	1	
6	029N00367	KEY-M_STATUS	1	
7	003N00969	KEY-M_TEL_R2_XRX	1	
8	003N00893	KEY-M-STOP	1	
9	003N00970	KEY-M_START_XRX	1	
10	029N00368	KEY-M_FAX	1	
11	003N00971	KEY-M_SCROLL_R2X	1	
12	152N11627	CBF HARNESS-OPE	1	
13		LCD DISPLAY	1	
14...	002N02421	SHEET-OVERLAY ENGLISH	1	
14...	002N02422	SHEET-OVERLAY SPANISH	1	
14...	002N02423	SHEET-OVERLAY BRAZILIAN PORTUGUESE	1	
14...	002N02424	SHEET-OVERLAY FRENCH	1	
14...	002N02425	SHEET-OVERLAY RUSSIAN	1	

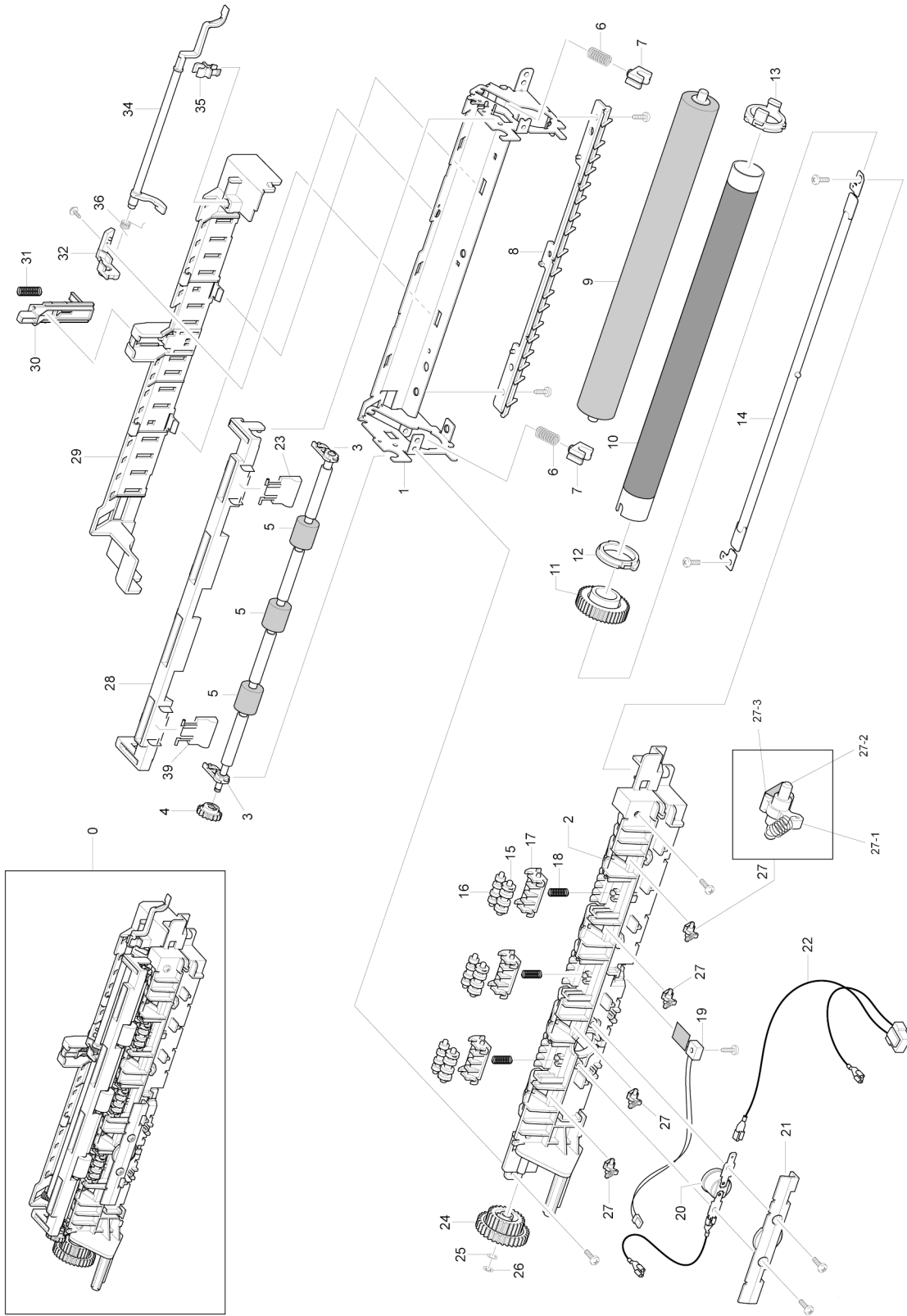
PL 6 Paper Path Assembly



PL 6 Paper Path Assembly

Item	Part Number	Description	Qt'y	Remark
0		PAPER-PATH ASSEM	1	
1	038N00463	GUIDE-M-PAPER PATH	1	
2	130N01408	LEVER-ACTUATOR FEED SENSOR	1	
3	009N01519	SPRING ETC-LEVER SENSOR	1	
4	015N00558	IPR-PLATE SAW	1	
5	NOT USED			
6		GROUND-P-ZENER	1	
7		GROUND-P-THV	1	
8		GROUND-P-SAW	1	
9	019N00841	MEA UNIT-HOLDER_PAD	1	
9-1	009N01520	SPRING ETC-EXIT ROLL FD	2	
9-2	019N00836	PAD-FRICTION	1	
9-3	019N00837	HOLDER-M-PAD	1	
10		LEVER-M-KICKER P/U	2	
11	130N01419	MEA UNIT-PICK UP GEAR	1	
11-1		GEAR-PICK_UP B	1	
11-2		GEAR-PICK_UP A	1	
11-3		SPRING-CS	3	
12	121N01078	SOLENOID-MP_R2	3	
13	007N01375	GEAR-FEED 35/19	3	
14	016N00261	BUSH-M-TR L	1	
15	016N00281	PMO-BUSHING_TR(L)	1	
16	009N01521	SPRING ETC-TR(12)	2	
17	022N02126	ROLLER-TRANSFER	1	
18	019N00838	HOLDER-PTL	1	
19		IPR-P-EARTH TRANSFER	1	
20		SHAFT-P-PICK_UP	1	
21	130N01424	MEA UNIT PICK_UP	1	
21-1		HOUSING-M-PICK_UP B	1	
21-2		HOUSING-M-PICK_U	1	
21-3	130N01416	RUBBER-PICK_UP	1	
22	130N01410	CAM-M-PICK_UP	2	
23	007N01376	GEAR-TRANSFER	1	
24		BRACKET-P-BAR_PICK_UP	1	

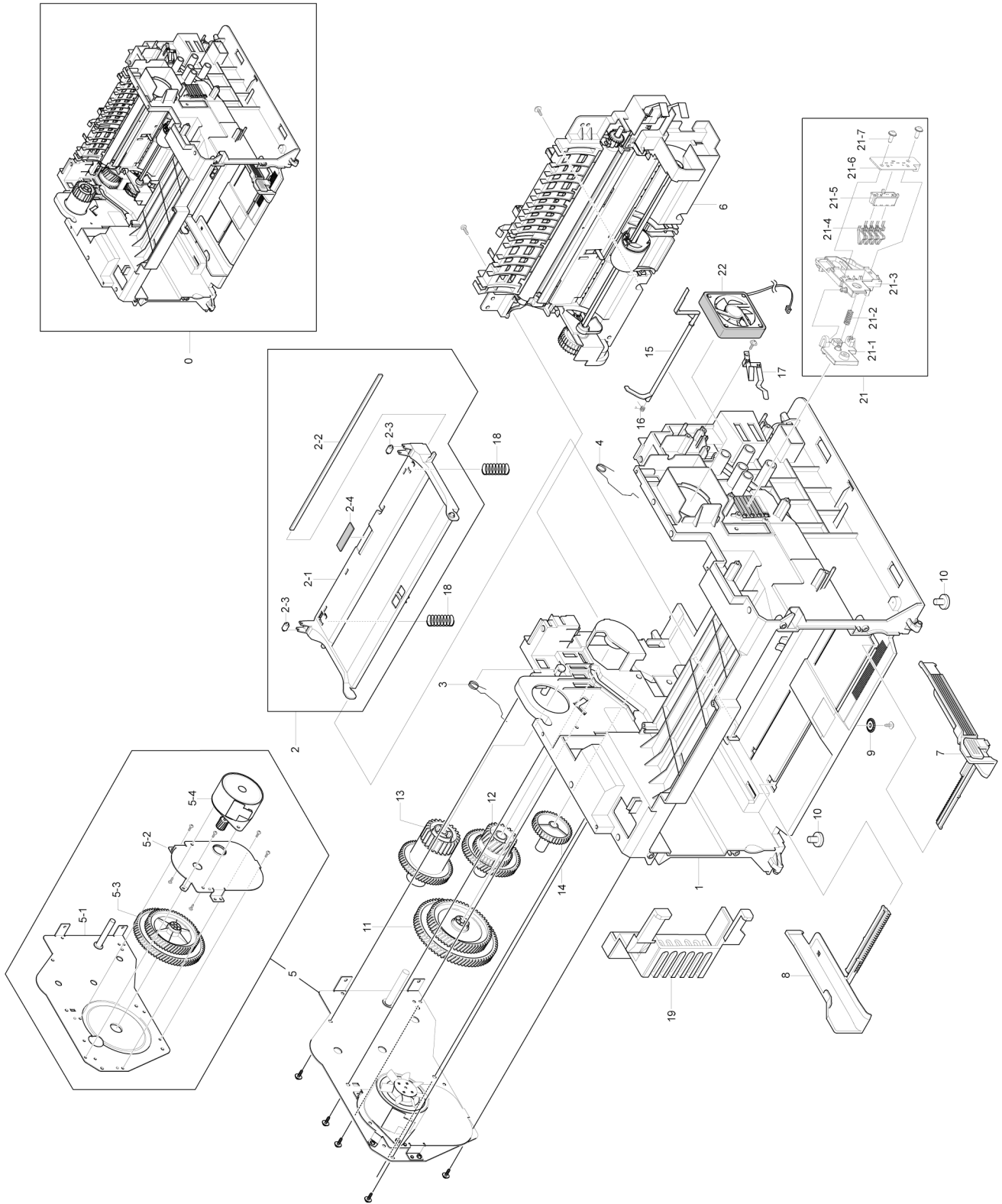
PL 7 Fuser Unit



PL 7 Fuser Unit

Item	Part Number	Description	Qt'y	Remark
0	101N01381	FUSER_220V	1	
0	101N01380	FUSER_110V	1	
1		FRAME-P-FUSER	1	
2		COVER-M_FUSER	1	
3	019N00839	HOLDER-M-EXIT R	2	
4	007N01377	GEAR-EXIT_DRV17	1	
5		HOLDER-M-EXIT F/DOWN	3	
6		SPRING-CS	2	
7	013N13843	BEARING-PRESSURE/R	2	
8		GUIDE-M-INPUT	1	
9	022N01611	ROLLER-PRESSURE	1	
10	022N01610	ROLLER-HEAT	1	
11	007N01205	GEAR-FUSER, Z37	1	
12	016N00282	BUSH-M-HR L	1	
13	016N00262	BUSH-M-HR R	1	
14	122N00245	LAMP-HALOGEN_220V	1	
14	122N00246	LAMP-HALOGEN_110V	1	
15		ROLLER-M-EXIT MAIN	3	
16		ROLLER-M_EXIT FR	3	
18	009N01522	SPRING-CS	3	
19	130N01417	THERMISTOR-NTC	1	
20	130N01411	THERMOSTAT-150	1	
21	152N11628	CBF HARNESS-FUSER JOINT	1	
22	152N11626	CBF HARNESS-FUSER (220V)	1	
22	152N11631	CBF HARNESS-FUSER (110V)	1	
23		PADDLE	2	
24		GEAR EXIT-DR38/25	4	
25		WASHER-PLAIN	4	
26		E-CLIP	1	
27		STRIPPER FINGER	1	
27-1	009N01523	SPRING ETC-STRIPPER FINGER	4	
27-2	019N00840	HOLDER_M_PLATE STRIPPER FINGER	4	
27-3		PLATE-P-STRIPPER FINGER	4	
28		COVER-M-GUIDE EXIT	1	
29		COVER-M-SAFETY FUSER	1	
30		LEVER-M_ACT EXIT	1	
31		SPRING ETC-TR(KOR)	1	
32		HOLDER-M_ACTUATOR	1	
33		CBF HARNESS-THERMISTOR	1	
34		LEVER-M-ACTUATOR JAM	1	
35		PMO-BUSHING TX(B4)	1	
36		SPRING ETC-TORSION DOC (CC2-F)	1	

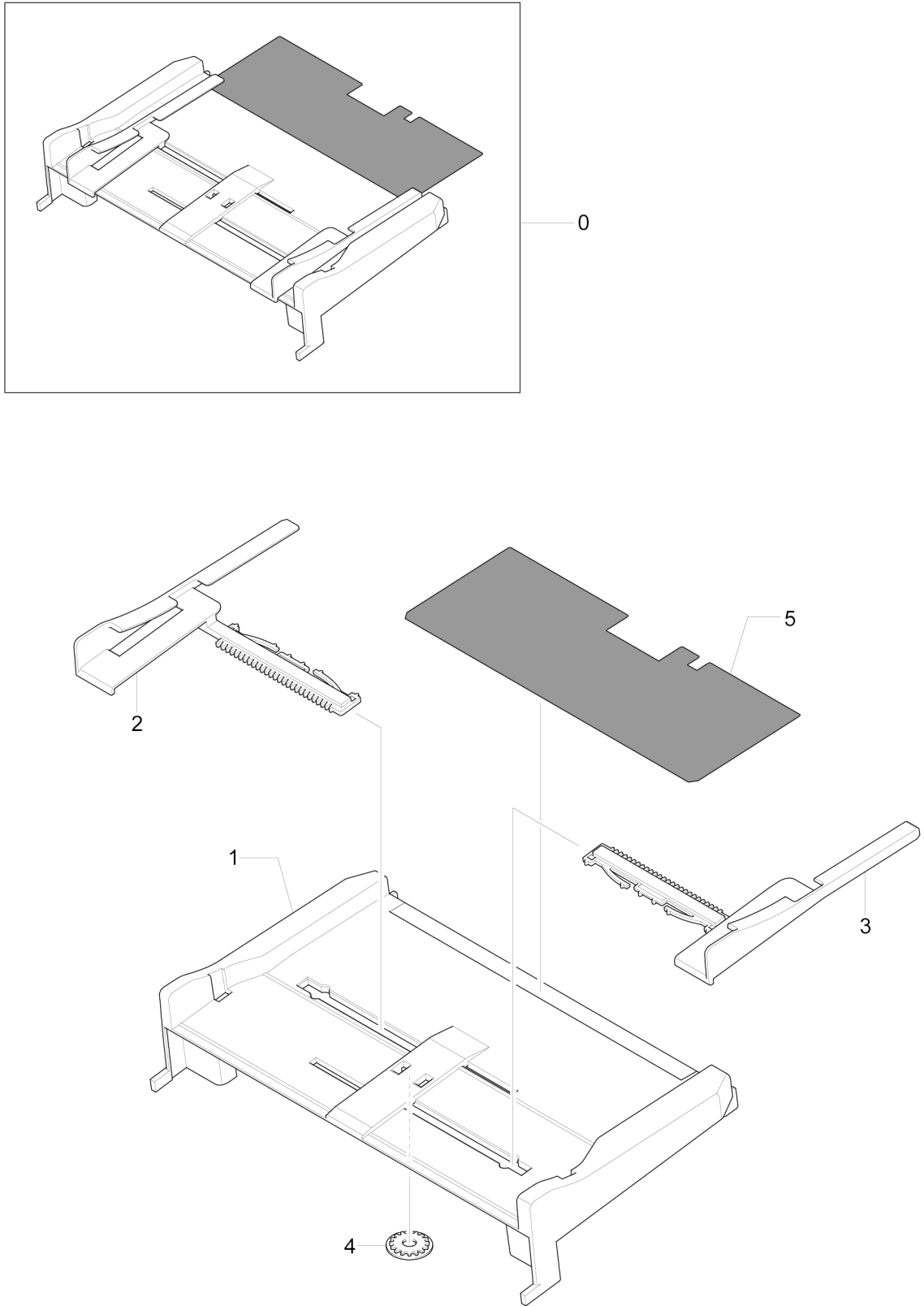
PL 8 Main Frame Assembly



PL 8 Main Frame Assembly

Item	Part Number	Description	Qt'y	Remark
0		ELA HOU-FRAME LOWER	1	
1		FRAME-M-BASE	1	
2	015N00560	MEA UNIT-PLATE KNOCK_UP	1	
2-1	015N00561	PLATE-M-KNOCK_UP	1	
2-2		SHAFT-P-CORE	1	
2-3		PMO-IDLE KNOCK UP MP	2	
2-4	019N00835	MPR-PAD KNOCK UP MR	1	
3	009N01516	SPRING ETC-TORSION DEVE_L	1	
4	009N01517	SPRING ETC-TORSION DEVE_R	1	
5	126N00247	ELA HOU-RX DRIVE	1	
5-1		BRACKET-P-GEAR	1	
5-2		BRACKET-P-MOTOR	1	
5-3		GEAR-RDCN 139/83	1	
5-4	127N07405	MOTOR STEP-MAIN	1	
5-5		PMO-IMPELLER_DRV	1	
6		PAPER PATH ASSEMBLY (REFER TO PL 6)	1	
7	026N00764	ADJUST-M-CASSETTE_R	1	
8	026N00765	ADJUST-M-CASSETTE_L	1	
9	007N01178	GEAR-PINION	1	
10	017N00251	FOOT-FRONT	2	
11	007N01371	GEAR-RDCN 113/83	1	
12	007N01372	GEAR-OPC DR 76/38/29	1	
13	007N01373	GEAR-FUSER DR 63/35	1	
14	007N01374	GEAR-FEED DR 41	1	
15	120N00481	LEVER-M-ACTUATOR_EMPTY	1	
16	009N01513	SPRING ETC-TORSION DOC (CC2-F)	1	
17	115N00857	GROUND-P-OPC	1	
18		NOT USED		
19		CAP-M-MOTOR	1	
20	009N01518	SPRING ETC-CS-CHARGE APOLLO	2	
21		CRUM ASSEMBLY	1	
21-1	003N00973	PLATE-M-HINGE	1	
21-2		SPRING ETD-FEED	1	
21-3	015N00564	PLATE-M-CRUM	1	
21-4		TERMINAL-CRUM	8	
21-5		TERMINAL-M_BLOCK	1	
21-6	140N63043	PBA-CRUM_P	1	
22	127N01453	FAN-DC	1	

PL 9 MP Tray Assembly



PL 9 MP Tray Assembly

Item	Part Number	Description	Qt'y	Remark
0	050N00478	MEA UNIT-MP TRAY	1	
1	015N00562	PLATE-M_MP	1	
2	026N00766	ADJUST-M_MP L	1	
3	026N00767	ADJUST-M_MP R	1	
4	007N01178	GEAR-PINION	1	
5	002N02451	SHEET-MP	1	

PL 10 Common Hardware & General Service Items

PL 10 Common Hardware & General Service Items

Item	Part Number	Description	Qt'y	Remark
0	026N00768	SCREW TAPTITE	3	
1	026N00769	SCREW TAPTITE	1	
2	105N02072	AC POWER CORD (US VER)	1	
3	117N01620	TELEPHONE LINE CORD (US VER)	1	
4	117N01313	USB CABLE	1	
5	004N00244	CUSHION-MAIN	1	
6	060N00030	BOX(P) MAIN	1	
7	705N00013	CD-ROM DRIVERS	1	
8	705N00012	CD-ROM EUG	1	
9	705N00014	CD-ROM SCANSOFT	1	