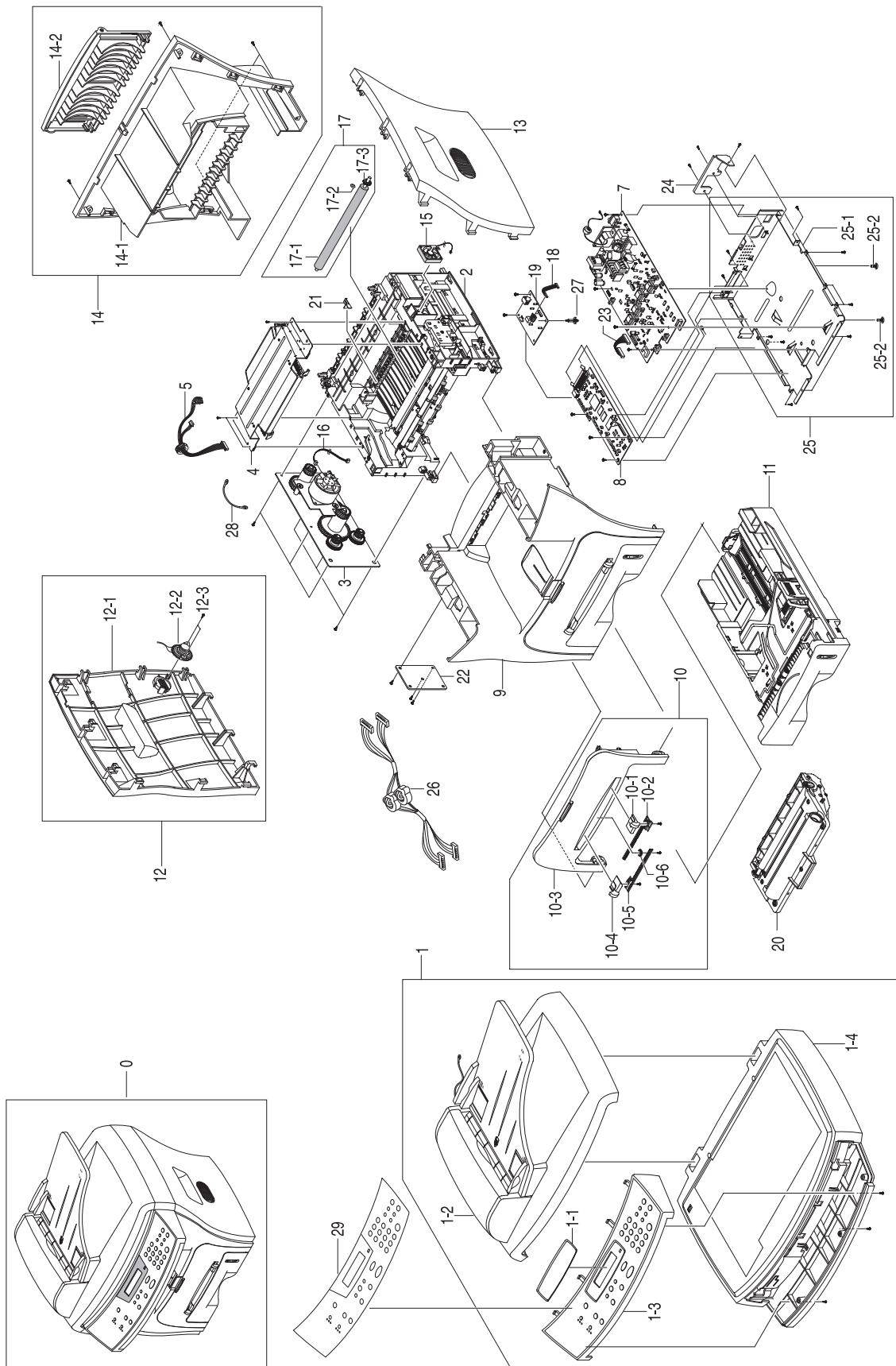


## 8.1 Главный узел



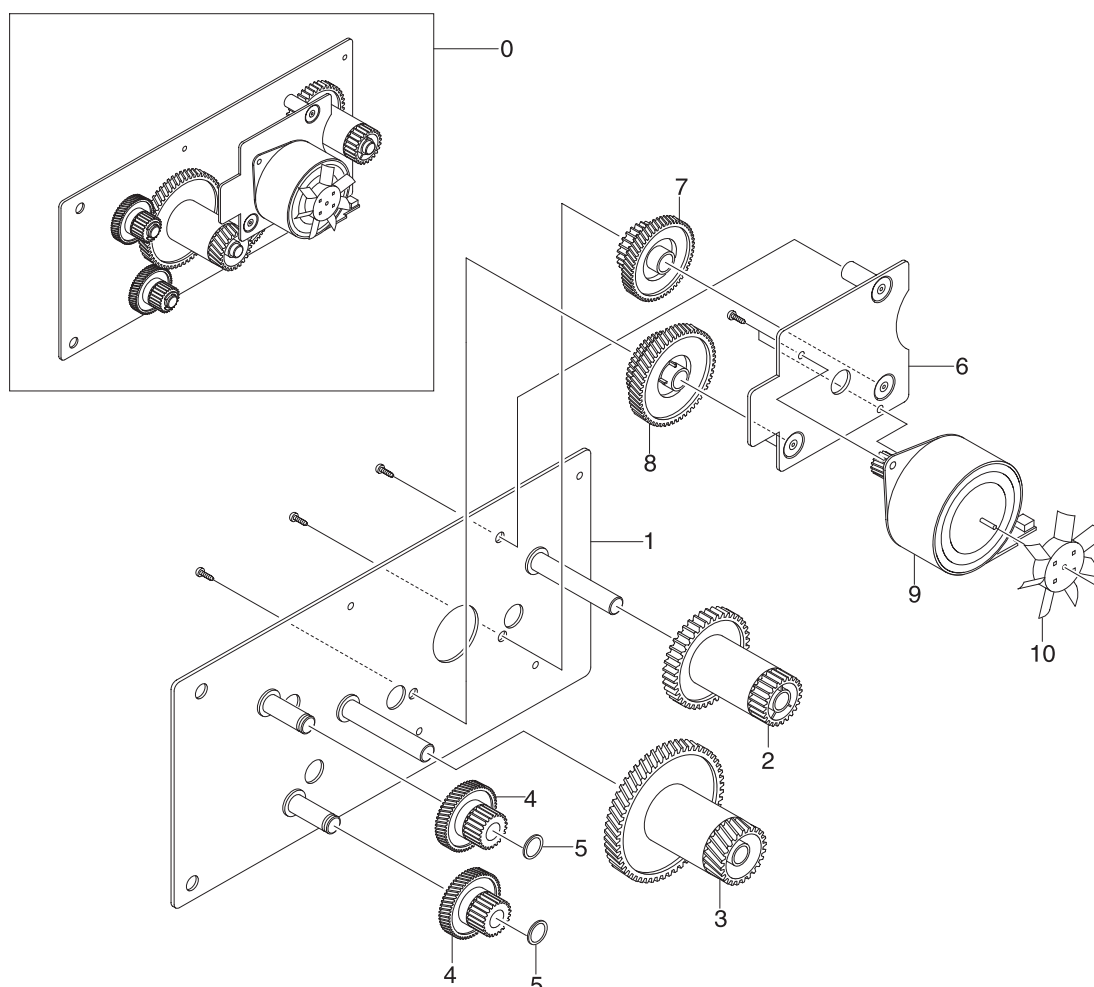
## Перечень частей главного узла

Позиция	Описание	Номер	Количество	Примечания
0	WorkCentre PE16			
1	ELA HOU-UNIT SCAN	500 N 00105	1	
1-1	COVER-LCD WINDOW	*	1	Not Spared
1-2	ELA HOU-ADF	101 N 01337	1	
1-3	AS-ELA HOU-OPE(XEROX)	101 N 01338	1	
1-4	ELA HOU-PLATEN	101 N 01339	1	
2	ELA HOU-UNIT FRAME_110V	001 N 00407	1	110V
	ELA HOU-UNIT FRAME_220V	001 N 00408	1	220V
3	ELA UNIT-RX DRIVE	126 N 00211	1	
4	UNIT-LSU	122 N 00228	1	
5	CBF HARNESS-LSU	152 N 02010	1	
7	SMPS-SMPS(V1)+HVPS	105 N 02005	1	110V
	SMPS-SMPS(V2)+HVPS	105 N 02006	1	220V
8	PBA MAIN-MAIN	140 N 62743	1	
9	MEA UNIT-COVER MIDDLE	101 N 01334	1	
10	MEA UNIT-COVER FRONT(XEROX)	101 N 01335	1	
10-1	ADJUST-M-MANUAL_R	*	1	Not Spared
10-2	ADJUST RACK-M-MANUAL	*	2	Not Spared
10-3	COVER-M_FRONT(ROCKY)	*	1	Not Spared
10-4	ADJUST-M-MANUAL_L	*	1	Not Spared
10-5	GEAR-RACK_PINION	*	1	Not Spared
11	MEA UNIT-CASSETTE, USA	050 N 00427	1	
12	ELA HOU-COVER SIDE L	101 N 01336	1	
12-1	COVER-M-SIDE L	*	1	Not Spared
12-2	SPEAKER	*	1	Not Spared
12-3	SCREW-TAPTITE	*	2	Not Spared
13	COVER-M-SIDE R	002 N 02191	1	
14	MEA UNIT-COVER REAR	002 N 02192	1	
14-1	COVER-M-REAR	*	1	Not Spared
14-2	COVER-M-FACE UP	*	1	Not Spared
15	FAN-DC	127 N 01453	1	
16	CBF HARNESS-MOTOR	152 N 02009	1	
17	MEA ETC-TR	022 N 01606	1	
17-1	ROLLER-TRANSFER ROLLER	022 N 02017	1	
17-2	GEAR-TRANSFER	*	1	Not Spared
17-3	PPR-SPACER_TR	*	1	Not Spared

## Перечень частей главного узла (продолжение)

Позиция	Описание	Номер	Количество	Примечания
18	CBF SIGNAL-LIU	140 N 62744	1	
19	PBA-LIU_USA/CANADA	140 N 62758	1	
	PBA-LIU_WESTERN EUROPE	140 N 62745	1	
	PBA-LIU_RUSSIA	140 N 62759	1	
	PBA-LIU_SOUTH AFRICA	140 N 62760	1	
20	ELA-TONER UNIT	*	1	Not Spared
21	PLATE-P-CHANNEL	015 N 00495	1	
22	PBA SUB-CONN	140 N 62750	1	
23	CBF HARNESS-ENGINE	152 N 02012	1	
24	"BRACKET-P-INLET, ROCKY"	030 N 00654	1	
25	MEA UNIT-SHIELD ENGINE	055 N 00277	1	
25-1	"SHIELD-ENGINE, ROCKY"	*	1	Not Spared
25-2	SUPPORTER	*	2	Not Spared
26	CBF HARNESS-SCAN	152 N 11462	1	
27	SUPPORTER	030 N 00655	1	
28	CBF-HARNESS-DUPLEX GND	152 N 11463	1	
29	SHEET-OVERLAY(XEROX)	002 N 02194	1	

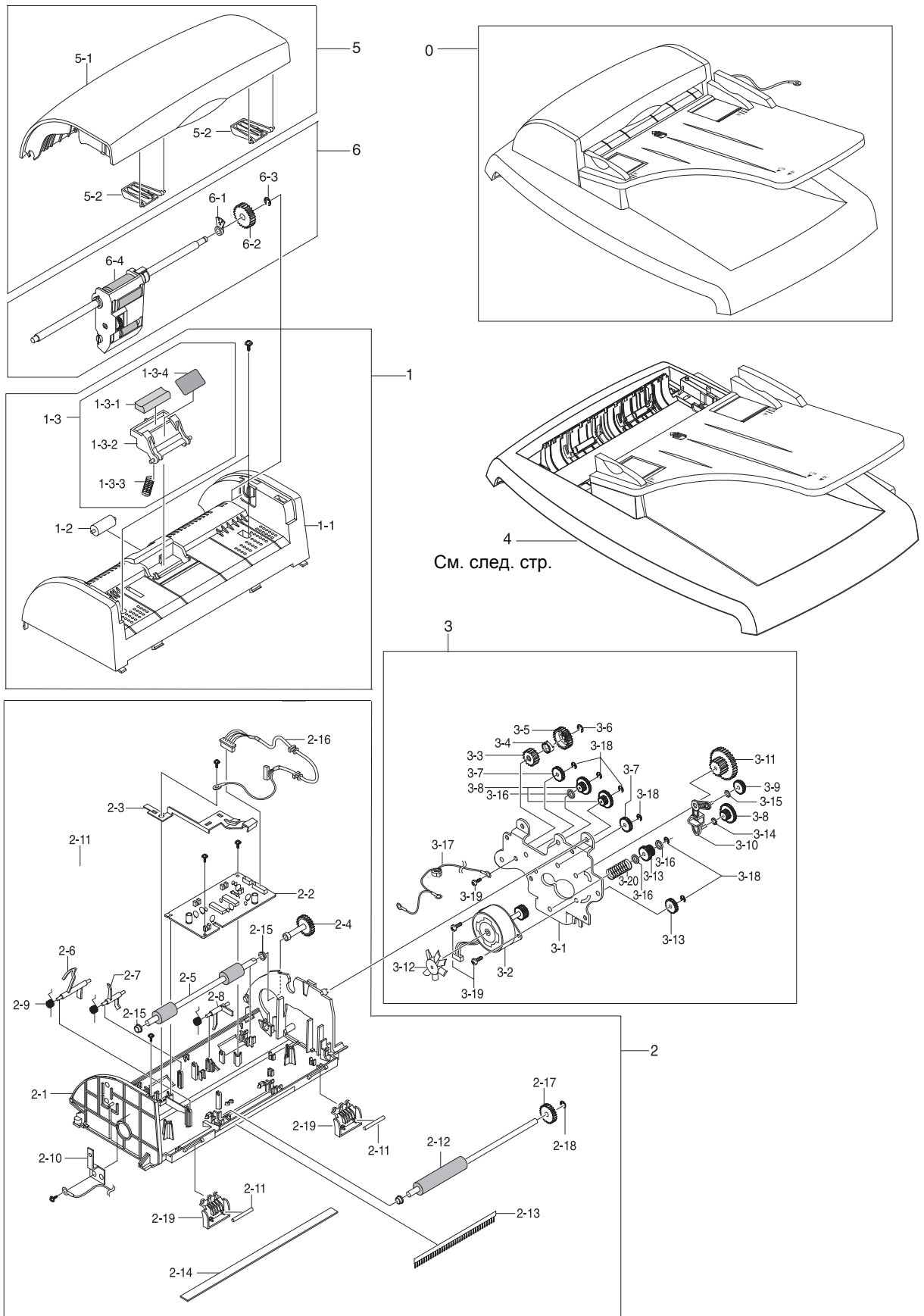
## 8.2 Узел привода RX

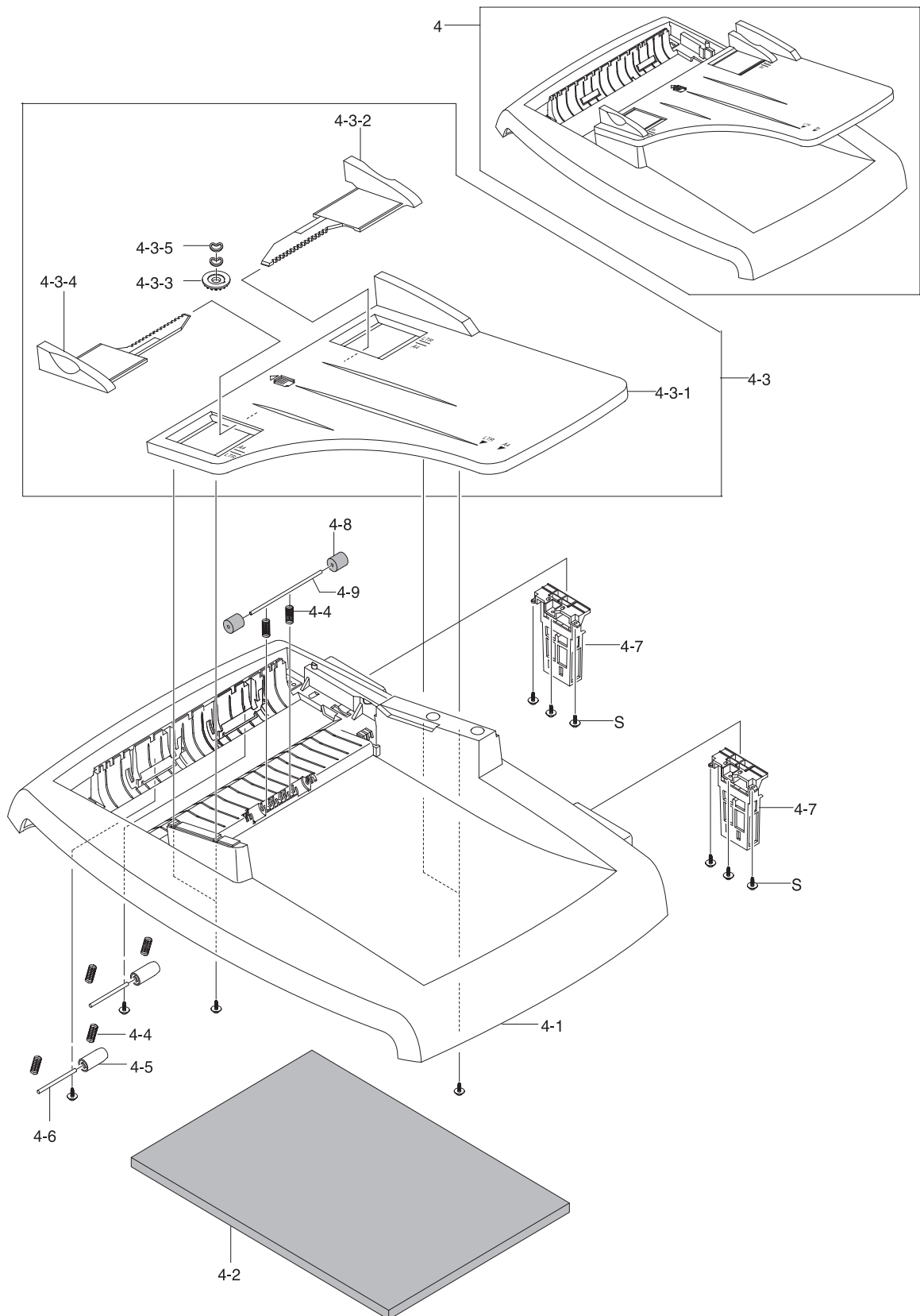


### Перечень частей узла привода RX

Позиция	Описание	Номер	Количество	Примечания
0	• ELA UNIT-RX DRIVE	126 N 00211	1	
1	BRACKET-P-GEAR 1400	*	1	Not Spared
2	GEAR-RDCN 53/26	*	1	Not Spared
3	GEAR-RDCN 113/33	*	1	Not Spared
4	GEAR-RDCN 57/18	*	2	Not Spared
5	WASHER-PLAIN	*	2	Not Spared
6	BRACKET-P-MOTOR 1400	*	1	Not Spared
7	GEAR-RDCN 103/41	*	1	Not Spared
8	GEAR-RDCN 90/31	*	1	Not Spared
9	MOTOR STEP-HUMMINGBIRD	*	1	Not Spared
10	PMO-IMPELLER_DRV	*	1	Not Spared

## 8.3 Узел ADF





## Перечень частей узла ADF

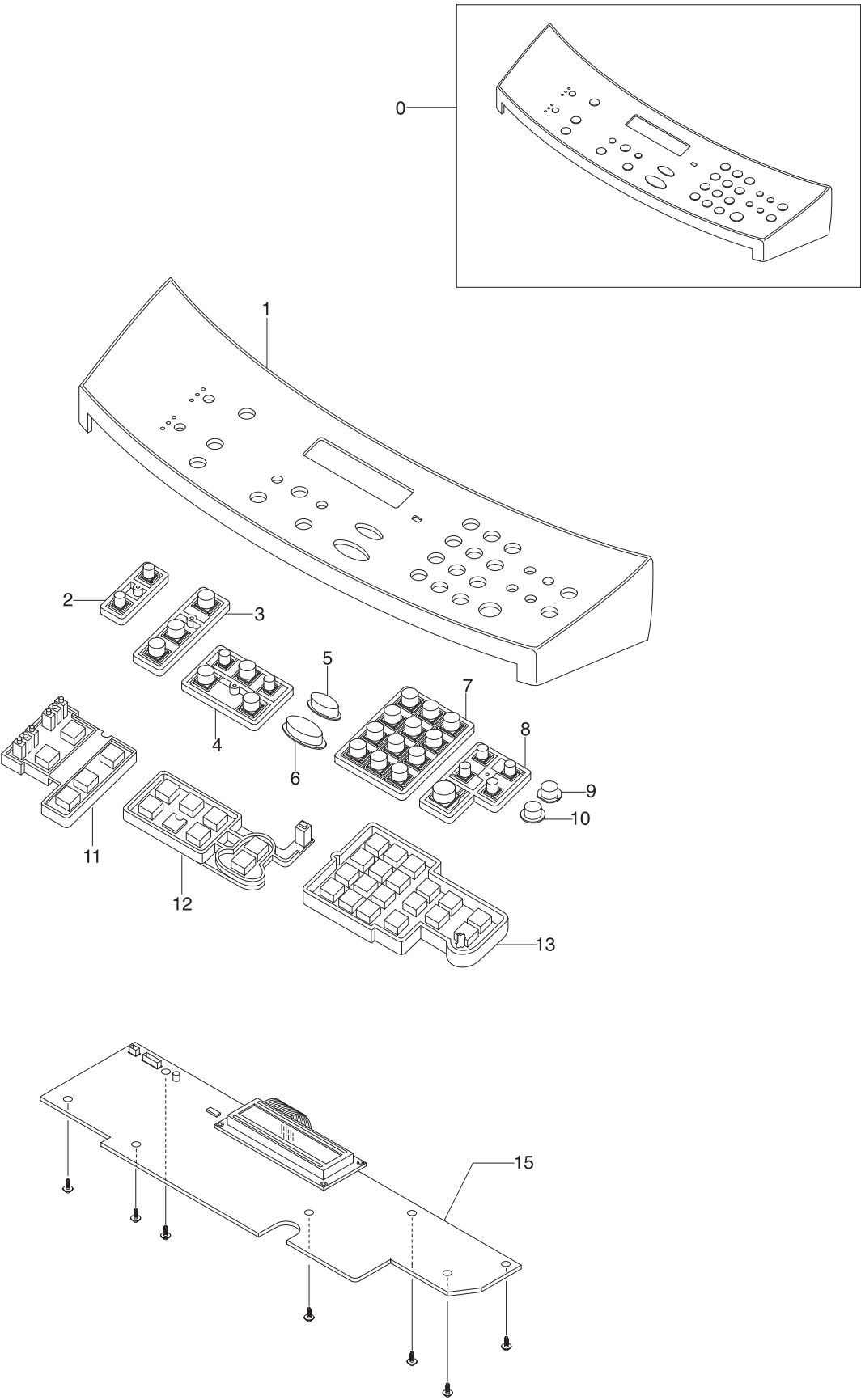
Позиция	Описание	Номер	Количество	Примечания
0	ELA HOU-ADF	101 N 01337	1	
1	MEA UNIT-ADF UPPER	500 N 00106	1	
1-1	COVER-M-ADF UPPER	002 N 02195	1	
1-2	ROLLER-M-ADF IDLE	022 N 02012	1	
1-3	MEA UNIT-HOLDER ADF	500 N 00107	1	
1-3-1	RMO-ADF RUBBER	019 N 00566	1	
1-3-2	HOLDER-M-ADF	*	1	Not Spared
1-3-3	SPRING ETC-PAD	*	1	Not Spared
1-3-4	SHEET-ADF HOLDER	*	1	Not Spared
2	ELA HOU-ADF LOWER	101 N 01340	1	
2-1	COVER-M-ADF LOWER	*	1	Not Spared
2-2	PBA SUB-ADF	*	1	Not Spared
2-3	GROUND-P-ADF	*	1	Not Spared
2-4	SHAFT-M-FEED GEAR 38	*	1	Not Spared
2-5	ROLLER-DRIVE	*	1	Not Spared
2-6	PMO-ACTUATOR DOC SENSOR	*	1	Not Spared
2-7	PMO-ACTUATOR REGI SENSOR	*	1	Not Spared
2-8	PMO-ACTUATOR SCAN SENSOR	*	1	Not Spared
2-9	SPRING ETC-TORSION DOC (CC2-F)	*	3	Not Spared
2-10	IPR-GROUND_ROLLER	*	1	Not Spared
2-11	SHAFT-IDLE FEED	*	2	Not Spared
2-12	ROLLER-EXIT	*	1	Not Spared
2-13	MEC-BRUSH ANTISTATIC	*	1	Not Spared
2-14	SHEET-WHITE BAR	*	1	Not Spared
2-15	PMO-BUSH	*	4	Not Spared
2-16	CBF HARNESS-ADR	*	1	Not Spared
2-17	GEAR-AGITATOR-2	*	1	Not Spared
2-18	RING-C	*	1	Not Spared
2-19	GUIDE-STACKER SUB	*	2	Not Spared
2-S	SCREW-TAPTITE	*	9	Not Spared
3	ELA HOU-ADF MOTOR	101 N 01341	1	
3-1	BRACKET-GEAR	*	1	Not Spared
3-2	MOTOR BLOWER-ADF	*	1	Not Spared
3-3	GEAR-CLUTCH 29	*	1	Not Spared
3-4	PMO-WHITE CLUTCH SUB 29	*	1	Not Spared
3-5	GEAR-CLUTCH 39	*	1	Not Spared
3-6	RING-C	*	1	Not Spared
3-7	GEAR-IDLE 35 ADF	*	3	Not Spared
3-8	GEAR-40/21 ADF	*	3	Not Spared

## Перечень частей узла ADF (продолжение)

Позиция	Описание	Номер	Количество	Примечания
3-9	GEAR-SWING 31/20 ADF	*	1	Not Spared
3-10	LINK-M-SWING ADF	*	1	Not Spared
3-11	GEAR-58/25 ADF	*	1	Not Spared
3-12	IMPELLER-ADF	*	1	Not Spared
3-13	GEAR-REMOVE ADF	*	1	Not Spared
3-14	WASHER-PLAIN	*	2	Not Spared
3-15	IPR-WASHER WAVE	*	1	Not Spared
3-16	WASHER-PLAIN	*	3	Not Spared
3-17	CBF HARNESS-MOTOR GND	*	1	Not Spared
3-18	RING-E	*	6	Not Spared
3-19	SCREW-TAPTITE	*	3	Not Spared
3-20	SPRING ETC PAD	*	1	Not Spared
4	MEA UNIT-COVER PLATEN	*	1	Not Spared
4-1	COVER-M-PLATEN(4IN1)	002 N 02196	1	
4-2	SHEET-WHITE SPONGE	*	1	Not Spared
4-3	MEA-TX STACKER(XEROX)	*	1	Not Spared
4-3-1	PMO-TX STACKER(XEROX)	038 N 00405	1	
4-3-2	PMO-DOC GUIDE(L)	038 N 00406	1	
4-3-3	GEAR-PINION	007 N 01210	1	
4-3-4	PMO-DOC GUIDE(R)	038 N 00410	1	
4-3-5	IPR-WASHER SPRING CU	028 N 00321	2	
4-4	SPRING ETC-FEED	*	6	Not Spared
4-5	PMO-ROLL PINCH	022 N 02014	2	
4-6	SHAFT-STACKER	006 N 01217	2	
4-7	MEA UNIT-HINGE	003 N 00888	2	
4-8	RPR-ROLLER EXIT IDLE	022 N 02019	2	
4-9	ICT-SHAFT PINCH	006 N 01218	1	
4-S	SCREW-TAPTITE	*	14	Not Spared
5	MEA UNIT-COVER OPEN	002 N 02197	1	
5-1	COVER-M-OPEN	*	1	Not Spared
5-2	PMO-GUIDE PAPER	*	2	Not Spared
6	MEA UNIT-PICKUP	130 N 01270	1	
6-1	PMO-BUSHING WHITE	*	1	Not Spared
6-2	GEAR-ADF 38	*	1	Not Spared
6-3	RING-C	*	1	Not Spared
6-4	ADF-ROLLER	022 N 02018	1	



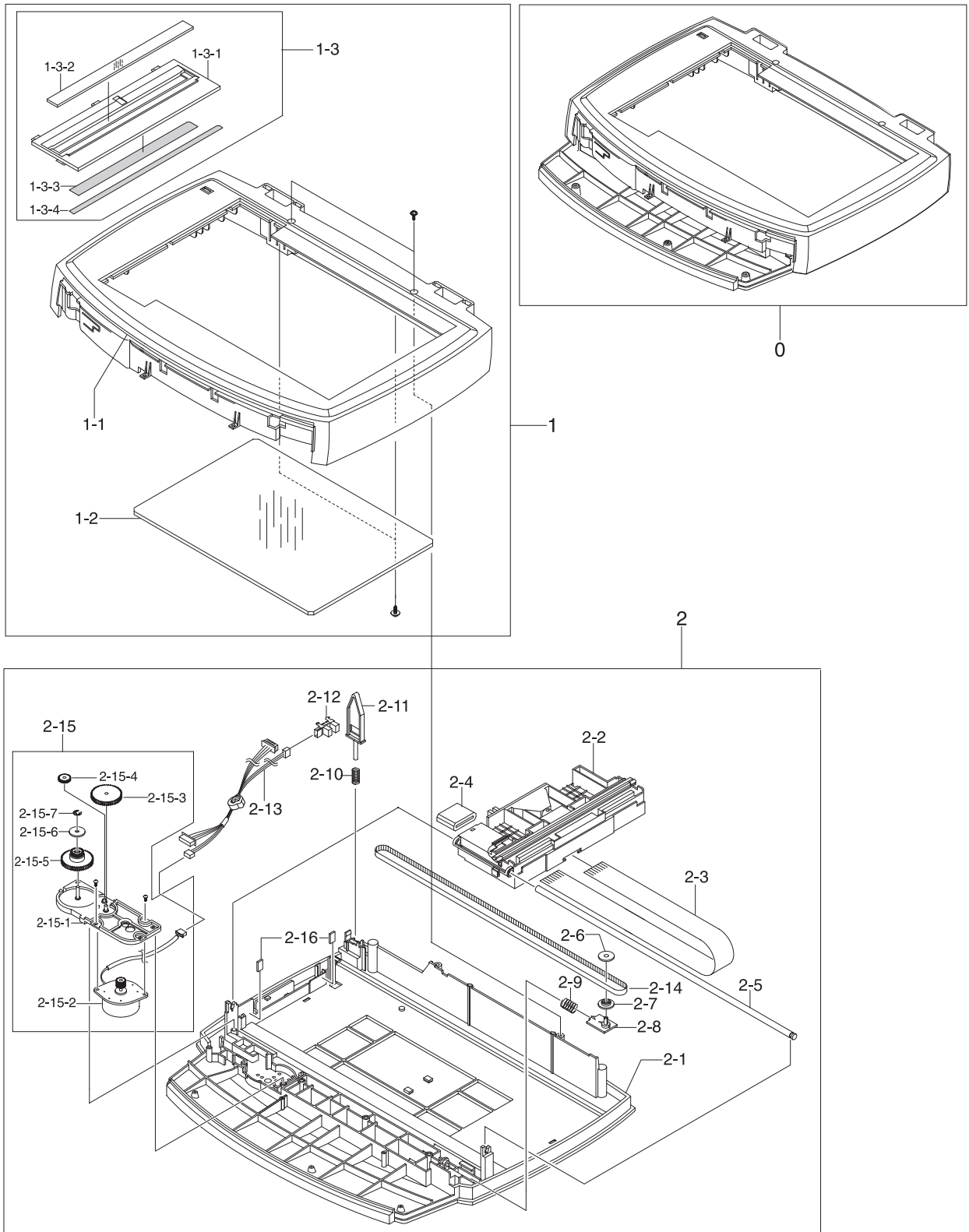
# 8.4 Узел панели управления



## Перечень частей панели управления

Позиция	Описание	Номер	Количество	Примечания
0	ELA HOU-OPE	101 N 01338	1	
1	COVER-M-OPE(4IN1)	002 N 02198	1	
2	KEY-M-RESOLUTION	003 N 00890	1	
3	KEY-M-COPY	003 N 00891	1	
4	KEY-M-SCROLL	003 N 00892	1	
5	KEY-M-STOP	003 N 00893	1	
6	KEY-M-START	003 N 00894	1	
7	KEY-M-TEL	003 N 00895	1	
8	KEY-M-FAX	003 N 00896	1	
9	KEY-M-TONER SAVE	003 N 00897	1	
10	KEY-M-TOLL SAVE	003 N 00898	1	
11	RUBBER-COPY	003 N 00899	1	
12	RUBBER-SCROLL	003 N 00900	1	
13	RUBBER-TEL/FAX	003 N 00901	1	
15	PBA SUB-OPE	140 N 62754	1	
S	SCREW-TAPTITE	*	7	Not spared

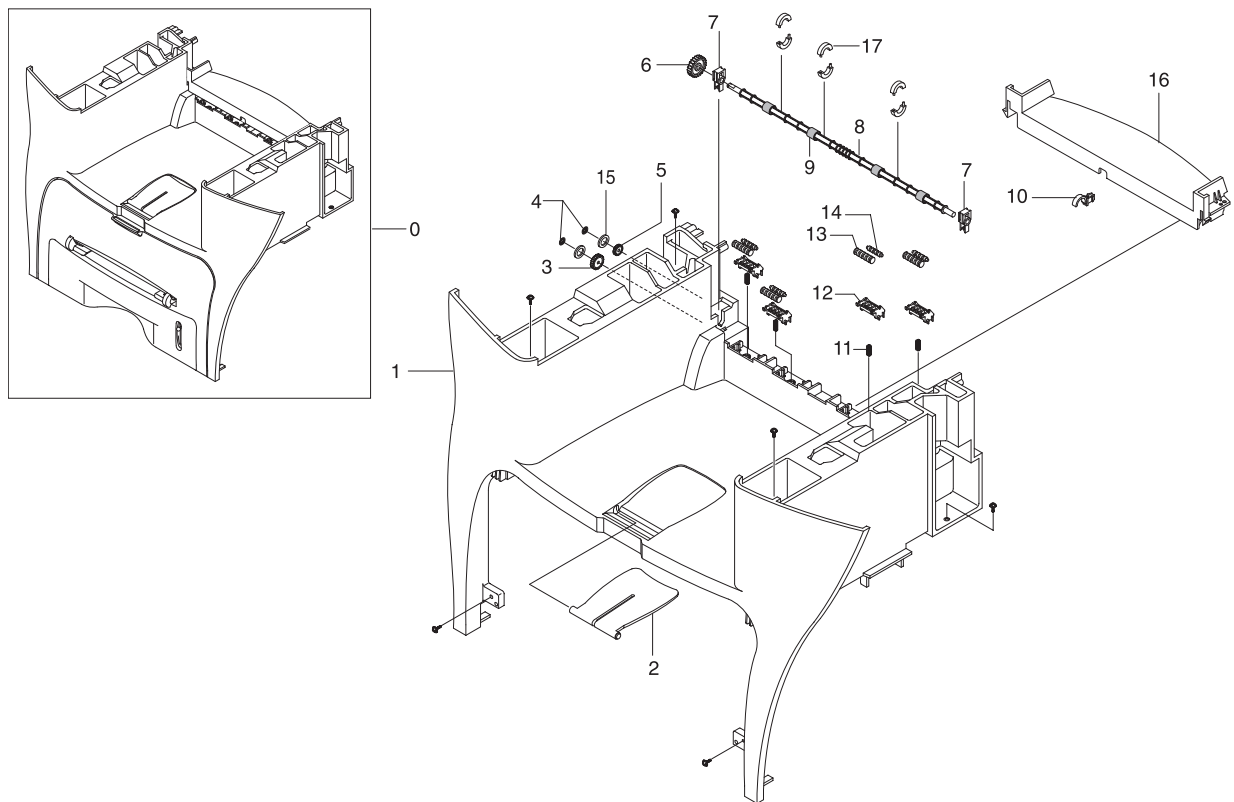
## 8.5 Узел сканера



## Перечень частей узла сканера

Позиция	Описание	Номер	Количество	Примечания
0	ELA HOU-PLATEN	101 N 01339	1	
1	MEA UNIT-SCAN UPPER	*	1	Not Spared
1-1	COVER-M-SCAN UPPER	002 N 02199	1	
1-2	GLASS-SCAN	118 N 00500	1	
1-3	MEA UNIT-SCAN DUMMY	500 N 00108	1	
1-3-1	COVER-M-SCAN DUMMY(4IN1)	*	1	Not Spared
1-3-2	MCT-GLASS ADF	*	1	Not Spared
1-3-3	TAPE-DOUBLE FACE	*	1	Not Spared
1-3-4	LABEL(P)-SHADING	*	1	Not Spared
2	ELA HOU-SCAN LOWER	101 N 01342	1	
2-1	COVER-M-SCAN LOWER	*	1	Not Spared
2-2	ELA HOU-CCD MODULE	101 N 01343	1	
2-3	CBF SIGNAL-CCD FFC	130 N 01271	1	
2-4	ELA UNIT-CORE	*	2	Not Spared
2-5	ICT-SHAFT CCD	130 N 01272	1	
2-6	PMO-HOLDER BELT	*	1	Not Spared
2-7	PMO-PULLEY	*	1	Not Spared
2-8	PMO-HOLDER BELT	*	1	Not Spared
2-9	SPRING ETC-BELT	*	1	Not Spared
2-10	SPRING-CS	*	1	Not Spared
2-11	PMO-LEVER SENSOR	130 N 01273	1	
2-12	PHOTO-INTERRUPTER	130 N 01274	1	
2-13	CBF HARNESS-OPE/FLAT_COVER	101 N 01344	1	
2-14	BELT-TIMING GEAR	109 N 00542	1	
2-15	ELA HOU-SCAN MOTOR	101 N 01345	1	
2-15-1	BRACKET-M-SCAN MOTOR	*	1	Not Spared
2-15-2	MOTOR STEP-SCAN	*	1	Not Spared
2-15-3	GEAR-REDUCTION	*	1	Not Spared
2-15-4	GEAR-IDLE	*	1	Not Spared
2-15-5	GEAR-TIMING	*	1	Not Spared
2-15-6	PMO-HOLDER BELT	*	1	Not Spared
2-15-7	RING-E	*	1	Not Spared
2-16	DUMPER-CCD	*	2	Not Spared

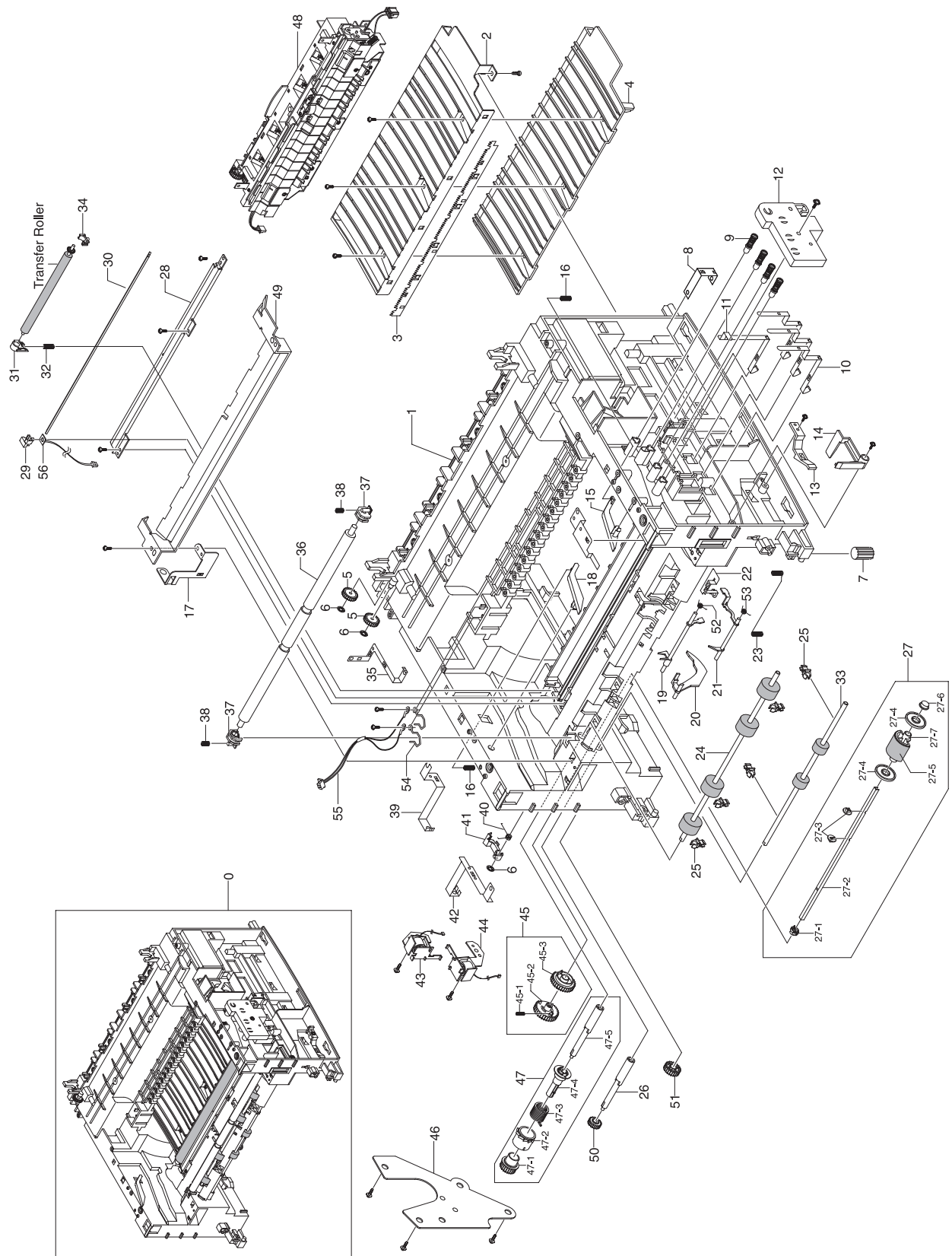
## 8.6 Узел средней крышки



### Перечень частей узла средней крышки

Позиция	Описание	Номер	Количество	Примечания
0	MEA UNIT-COVER MIDDLE	101 N 01334	1	
1	COVER-M-MIDDLE	*	1	Not Spared
2	PMO-STACKER_RX(XEROX)	*	1	Not Spared
3	RING-CS	*	2	Not Spared
4	GEAR-IDLE 23	*	1	Not Spared
5	PMO-GEAR_EXIT_DRV16	*	1	Not Spared
6	GEAR-EXIT F/DOWN	*	1	Not Spared
7	MEC-BEARING, EXIT	013 N 13802	2	
8	ROLLER-EXIT F/DOWN	*	1	Not Spared
9	RMO-RUBBER EXIT	*	4	Not Spared
10	PMO-BUSHING_F/DOWN	*	1	Not Spared
11	SPRING-CS	*	4	Not Spared
12	HOLDER-M-EXIT F/DOWN	*	4	Not Spared
13	PMO-ROLLER_EXIT, MAIN	*	4	Not Spared
14	PMO-ROLLER_EXIT, FR	*	4	Not Spared
15	WASHER-PLAIN	*	2	Not Spared
16	COVER-M-REAR UPPER	*	1	Not Spared
17	ROLLER-M_DECURL	*	6	Not Spared

## 8.7 Узел основной рамы



## Перечень частей узла основной рамы

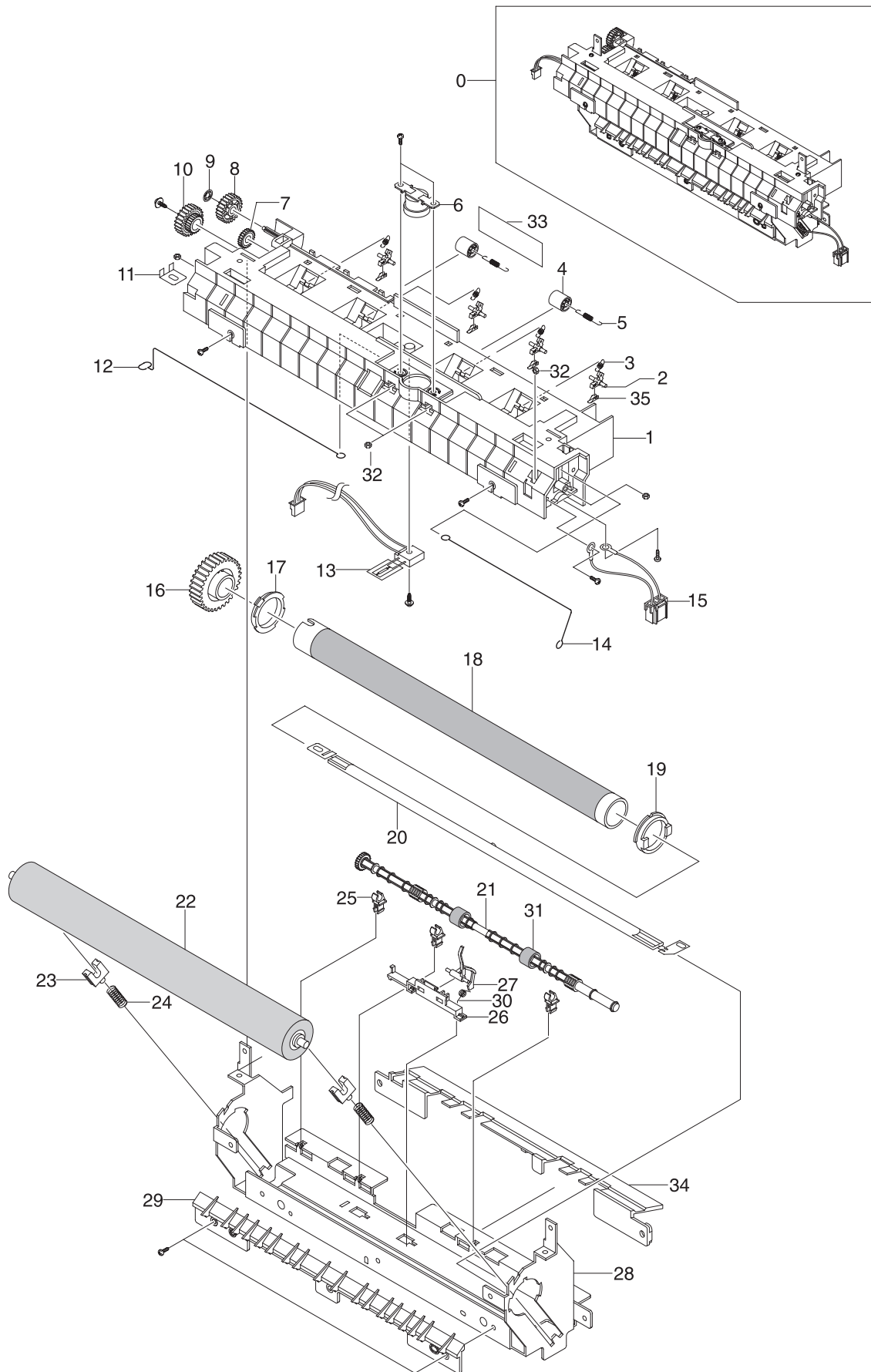
Позиция	Описание	Номер	Количество	Примечания
0	ELA HOU-UNIT FRAME_110V	001 N 00407	1	110V
	ELA HOU-UNIT FRAME_220V	001 N 00408	1	220V
1	FRAME-M-BASE	*	1	Not Spared
2	GUIDE-P-TR	038 N 00407	1	
3	PLATE-P-SAW	015 N 00500	1	
4	GUIDE-M-TR RIB	038 N 00408	1	
5	PMO-GEAR_EXIT_DRV16	*	2	Not Spared
6	RING-CS	*	3	Not Spared
7	RMO-RUBBER_FOOT	*	2	Not Spared
8	IPR-P-GROUND_TR	*	1	Not Spared
9	MEC-TERMINAL	*	4	Not Spared
10	IPR-P-TERMINAL CON	*	3	Not Spared
11	IPR-P-TERMINAL CR	*	1	Not Spared
12	HOUSING-TERMINAL	101 N 01346	1	
13	PMO-LOCKER CST	120 N 00427	2	
14	PMO-ACTUATOR CVR OPEN	120 N 00423	1	
15	PMO-PLATE GUIDE DEVE_R	032 N 00390	1	
16	SPRING ETC-GUIDE DEVE	*	2	Not Spared
17	IPR-P-GROUND_GUIDE PAPER	*	1	Not Spared
18	PMO-PLATE GUIDE DEVE_L	032 N 00391	1	
19	PMO-ACTUATOR FEED	120 N 00424	1	
20	PMO-ACTUATOR EMPTY	120 N 00425	1	
21	PMO-ACTUATOR MANUAL	700 N 00093	1	
22	IPR-P-GROUND_EARTH TR	*	1	Not Spared
23	SPRING-ETC	009 N 01428	1	
24	ROLLER-FEED ROLLER 1	*	1	Not Spared
25	PMO-BUSHING FEED	*	5	Not Spared
26	SHAFT-FEED	*	1	Not Spared
27	AS-PICK UP	022 N 01608	1	
27-1	BUSH-M-PICK_UP L	*	1	Not Spared
27-2	SHAFT-P-PICK_UP	*	1	Not Spared
27-3	STOPPER-PICK_UP	*	2	Not Spared
27-4	PMO-IDLE PICK_UP	*	2	Not Spared
27-5	SPONGE-ROLLER PICK_UP	022 N 02016	1	
27-6	BUSH-M-PICK_UP R	*	1	Not Spared
27-7	HOUSING-M-PICK_UP	*	1	Not Spared
28	IPR-P-EARTH TRANSFER	117 N 01616	1	
29	HOLDER-PTL	*	1	Not Spared
30	LENS-PTL	062 N 00246	1	

## Перечень частей узла основной рамы (продолжение)

Позиция	Описание	Номер	Количество	Примечания
31	BUSH-M-TR L	016 N 00261	1	
32	SPRING ETC-TR L HAWK	*	1	Not Spared
33	ROLLER-FEED	022 N 01607	1	
34	PMO-BUSHING_TR(L)	016 N 00254	1	
35	IPR-P-GROUNG_FUSER	*	1	Not Spared
36	SHAFT-FEED IDLE	*	1	Not Spared
37	BUSH-M-FEED IDLE	*	2	Not Spared
38	SPRING ETC-TR	*	2	Not Spared
39	IPR-P_GROUND_DRIVE2	007 N 01211	1	
40	SPRING-TS	*	1	Not Spared
41	CAM-M-PICK_UP	008 N 01738	1	
42	IPR-P-GROUND_DRIVE	*	1	Not Spared
43	SOLENOID-HB (PICK-UP)	121 N 00631	1	
44	SOLENOID HB (MANUAL)	700 N 00094	1	
45	AS-GEAR PICK_UP	007 N 01212	1	
45-1	PMO-GEAR PICK_UP B	*	1	Not Spared
45-2	PMO-GEAR PICK_UP A	*	1	Not Spared
45-3	SPRING-CS	*	1	Not Spared
46	BRACKET-P-FEED	030 N 00656	1	
47	MEA UNIT-CLUTCH	022 N 01609	1	
47-1	GEAR-FEED 1	*	1	Not Spared
47-2	PMO-COLLAR_SPRING	*	1	Not Spared
47-3	SPRING-TS	*	1	Not Spared
47-4	PMO-HUB CLUTCH	*	1	Not Spared
47-5	SHAFT-FEED	*	1	Not Spared
48	ELA HOU-FUSER 110V, ROCKY	126 N 00214	1	110V
	ELA HOU-FUSER 220V, ROCKY	126 N 00215	1	220V
49	GUIDE-P-PAPER	038 N 00409	1	
50	GEAR-FEED 2	*	1	Not Spared
51	GEAR-IDLE 23	*	1	Not Spared
52	SPRING-TS	*	1	Not Spared
53	SPRING-TS	*	1	Not Spared
54	IPR-P-TERMINAL DEVE KEY	*	2	Not Spared
55	CBF HARNESS-OPC_FUSE	*	1	Not Spared
56	PBA MAIN-PTL	140 N 62757	1	
S	SCREW-TAPTITE	*	9	Not Spared
S	SCREW-TAPTITE	*	12	Not Spared
S	SCREW-ASS? TAPT	*	3	Not Spared



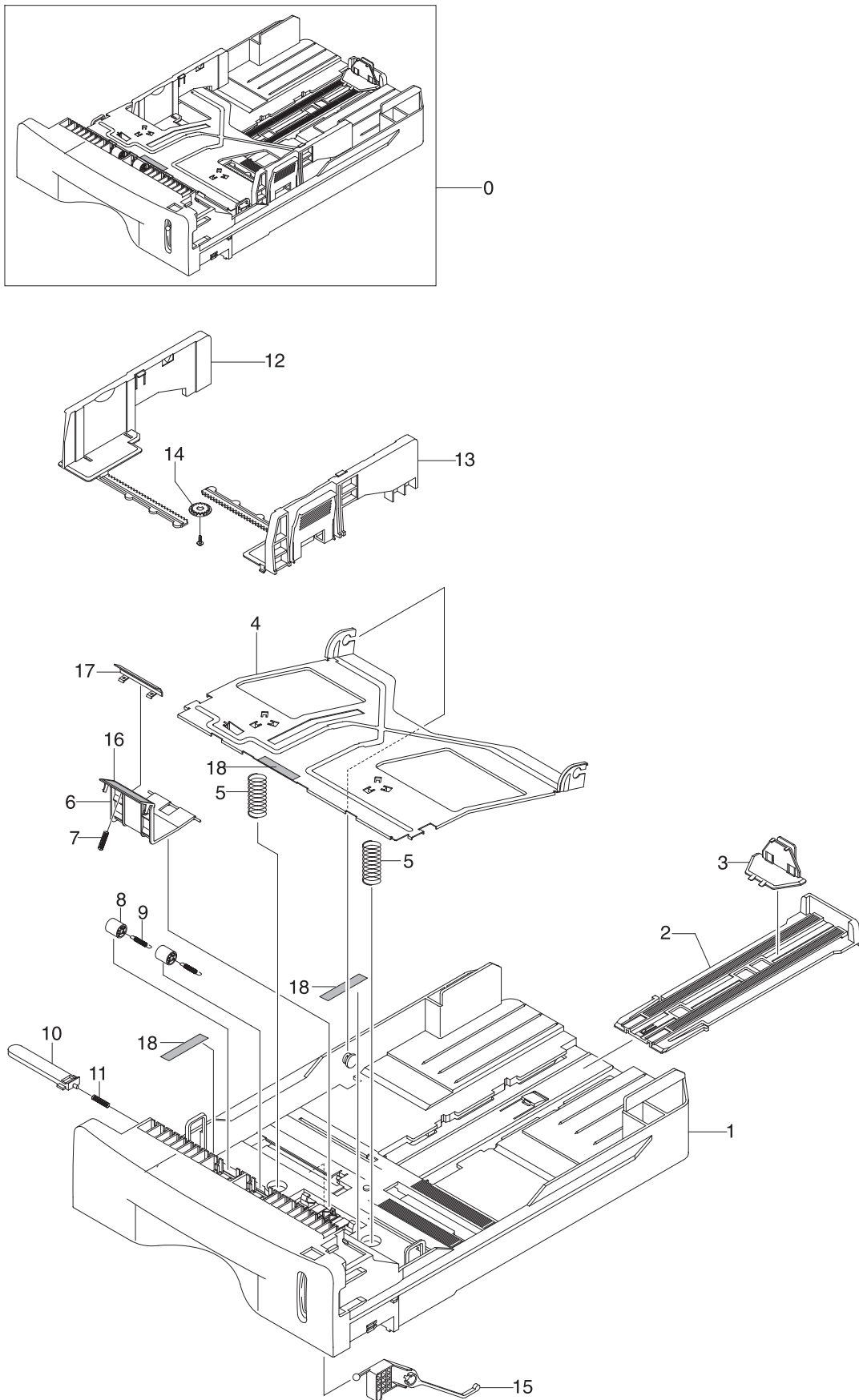
## 8.8 Узел фьюзера



## Перечень частей узла фьюзера

Позиция	Описание	Номер	Количество	Примечания
0	AS-FUSER 110V	126 N 00214	1	110V
	AS-FUSER 220V	126 N 00215	1	220V
1	COVER-M-FUSER	*	1	Not Spared
2	HOLDER-M-PLATE CLAW	*	4	Not Spared
3	SPRING ETC-CLAW	*	4	Not Spared
4	PMO-ROLLER EXIT	*	2	Not Spared
5	SPRING ETC-FUSER EXIT	*	2	Not Spared
6	THERMOSTAT 150	130 N 01265	1	
7	PMO-GEAR_EXIT_DRV16	*	1	Not Spared
8	GEAR-IDLE 23	*	1	Not Spared
9	RING-CS	*	1	Not Spared
10	GEAR-RDCN 25/15	007 N 01213	1	
11	IPR-ELECTRODE_LAMP	*	1	Not Spared
12	ELECTRODE-WIRE_L	*	1	Not Spared
13	THERMISTOR-NTC	130 N 01266	1	
14	ELECTRODE-WIRE_R	*	1	Not Spared
15	CBF HARNESS-FUSER 110V	152 N 11464	1	110V (WHITE)
	CBF HARNESS-FUSER 220V	152 N 02013	1	220V (BLACK)
16	GEAR-FUSER, Z37	007 N 01205	1	
17	BUSH-M-HR L	*	1	Not Spared
18	ROLLER-HEAT	022 N 01610	1	
19	BUSH-M-HR R	016 N 00262	1	
20	LAMP-HALOGEN	122 N 00231	1	110V
	LAMP-HALOGEN	122 N 00229	1	220V
21	ROLLER-M-EXIT F/UP	*	1	Not Spared
22	ROLLER-PRESSURE	022 N 01611	1	
23	BEARING-PRESSURE/R	*	2	Not Spared
24	SPRING-CS	*	2	Not Spared
25	PMO-BUSHING TX	*	3	Not Spared
26	HOLDER-ACTUATOR	*	1	Not Spared
27	PMO-ACTUATOR_EXIT	120 N 00428	1	
28	IPR-P-FRAME_FUSER	*	1	Not Spared
29	GUIDE-M-INPUT	*	1	Not Spared
30	SPRING-TS	*	1	Not Spared
31	RMO-RUBBER_EXIT	*	2	Not Spared
32	NUT-HEXAGON	*	5	Not Spared
33	LABEL(P)-CAUTION, HOT_FUSER	*	1	Not Spared
34	COVER-M-EXIT LOWER	*	1	Not Spared
35	PLATE-P-CLAW	*	4	Not Spared

## 8.9 Узел лотка



## Перечень частей узла лотка

Позиция	Описание	Номер	Количество	Примечания
0	MEA UNIT-CASSETTE, USA	050 N 00427	1	
1	FRAME-M_CASSETTE	*	1	Not Spared
2	PMO-EXTENSION LARGE	*	1	Not Spared
3	PMO-EXTENSION SMALL	*	1	Not Spared
4	PLATE-P-KNOCK_UP	*	1	Not Spared
5	SPRING-CS	*	2	Not Spared
6	HOLDER-M-PAD	*	1	Not Spared
7	SPRING ETC-EXIT ROLL FD	*	1	Not Spared
8	ROLLER-M-IDLE FEED	*	2	Not Spared
9	SPRING-ES	*	2	Not Spared
10	PMO-PLATE_LOCKER	*	1	Not Spared
11	SPRING ETC-LOCKER, PLATE	*	1	Not Spared
12	ADJUST-M-CASSETTE_L	*	1	Not Spared
13	ADJUST-M-CASSETTE_R	*	1	Not Spared
14	GEAR-PINION	*	1	Not Spared
15	INDICATOR-M-LEVER INDICATOR	018 N 00182	1	
16	RPR-FRICTION PAD	019 N 00742	1	
17	IPR-PLATE PAD	*	1	Not Spared
18	RPR-PAD CASSETTE	*	3	Not Spared