

# Parts List

## In this chapter...

- Serial Number Format
- Using the Parts List
- Print Engine
- Optional 1100-Sheet Feeder
- Optional 550-Sheet Feeder
- Xerox Supplies and Accessories

Section

9



# Serial Number Format

Changes to Xerox products are made to accommodate improved components as they become available. As improvements are made, part numbers may change from those appearing in this section. To get the latest part, provide the following information when ordering:

- Component's part number
- Product type or configuration number
- Serial number of the printer

## The serial number is coded as follows:

- The text “S/N” followed by the serial number in the barcode.
- The barcode **does not** include a field identifier.
- The nine digit serial number format **PPPRSSSSS** where:

**PPP** - Is the alphanumeric Product Code

Product	Configuration	Voltage	Product Code
6300	N, DN	110 V	WHH
6300	N, DN	220 V	WHK
6350	DP, DT, DX	110 V	WNN
6350	DP, DT, DX	220 V	WNP

**R** - Is the numeric revision digit. Changes at major product updates or when the serial number is reset to a starting value or (30001, 60001, or 90001).

**SSSSS** - Is the five digit numeric serial number.

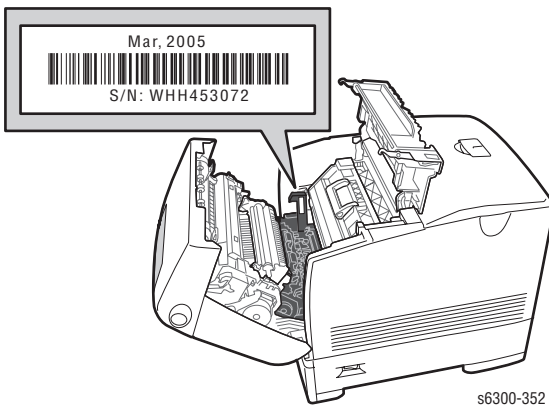
## For example:

**S/N WHH453072**

**WHH** = Product code for the 6300, configuration N or DN, 110 V Printer

**4** = Revision level

**53072** = Serial number for 6300 N



s6300-352

# Using the Parts List

Only those parts listed with part numbers are available for order. Parts listed without part numbers are only available as part of a parent assembly or Service Kit.

1. **No.:** The callout number from the exploded part diagram.
2. **Part Number:** The material part number used to order specific parts.

## Note

An asterisk following the part number identifies parts common to the Phaser 6250 and Phaser 6300/6350. All other parts are unique to the Phaser 6300/6350 printers.

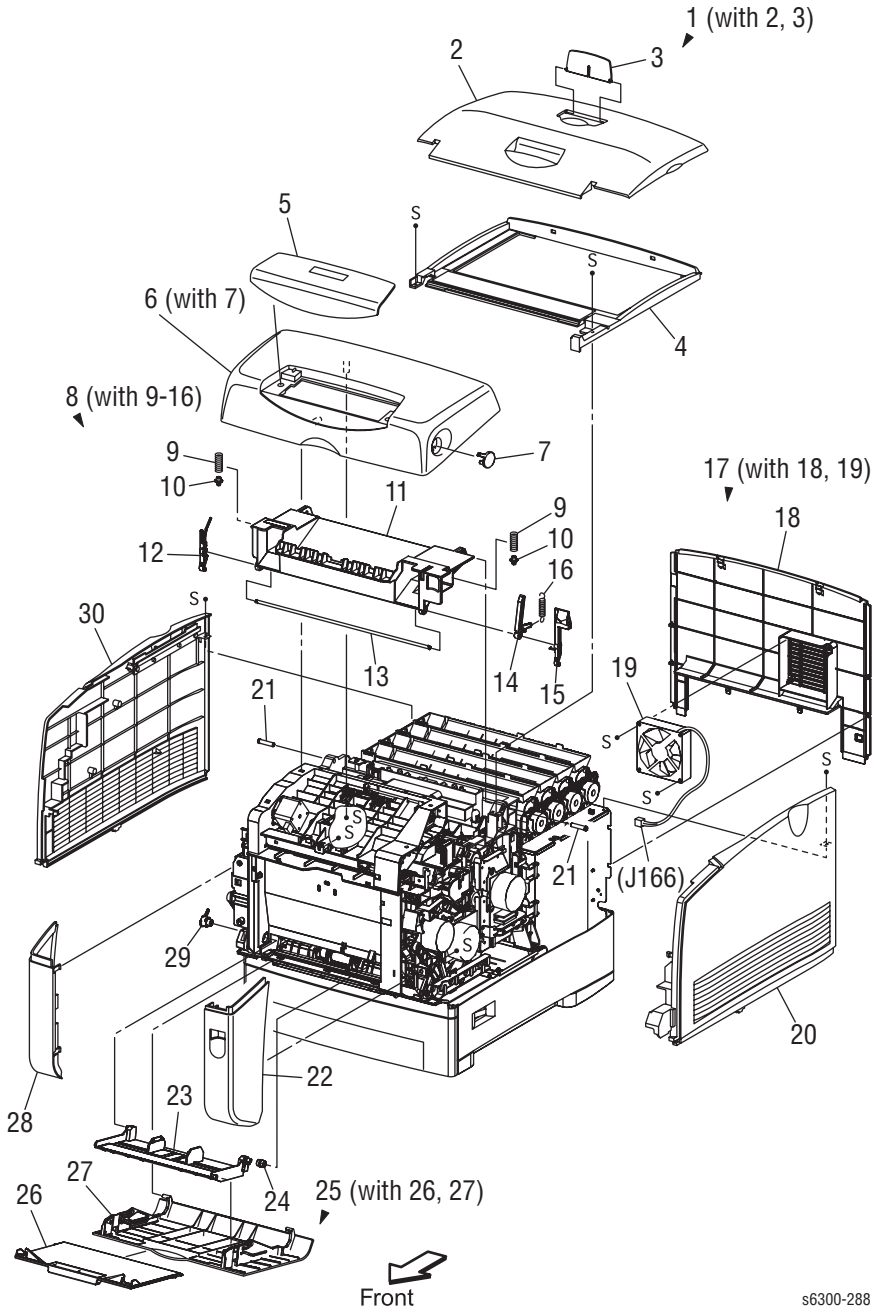
3. **Name/Description:** Name of the part and number supplied per order.
4. Parts throughout this manual are referenced **PL#.#.#**; For example, PL3.1.10 means the part is item 10 of Parts List 3.1.
5. A black triangle preceding a number followed by a parenthetical statement indicates the item is a parent assembly, made up of the parts listed in parentheses and enclosed by a dashed line.
6. The notation “**(with X~Y)**” following a part name indicates an assembly includes components X through Y. For example, “1 (with 2~4)” means part 1 consists of parts 2, 3, and 4.
7. The notation “**J1<>J2 and P2**” is attached to a wire harness. It indicates that connector Jack 1 is attached to one end of the wire harness and connector J2 is attached to the other end that is plugged into P2.

## Legend:

Identifier	Meaning
C	C-ring
E	E-ring
KL	K-clip
S	Screw

# Print Engine Parts

## Parts List 1.1 Covers

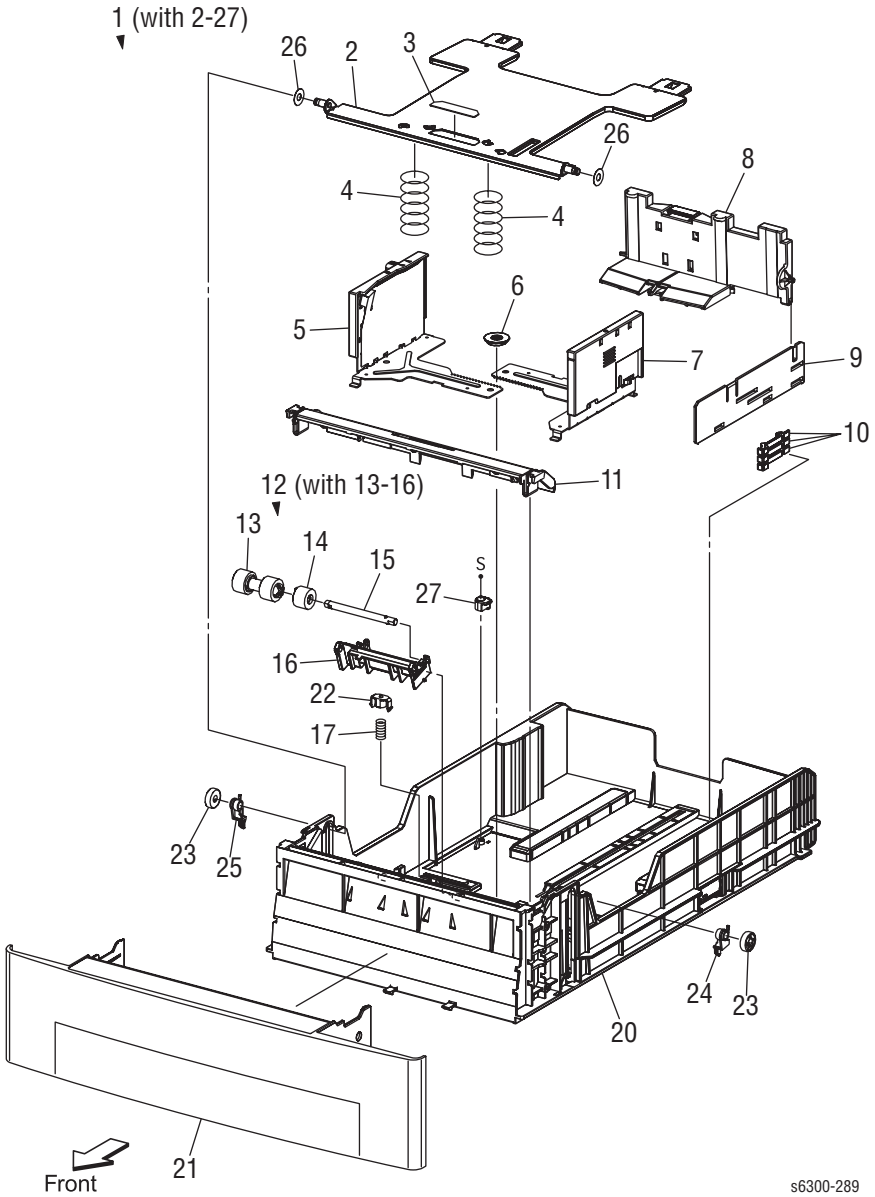


s6300-288

## Parts List 1.1 Covers - Service Parts List

No.	Part Number	Name/Description
1.	116-1964-00	Cover Assy Top (with 2,3)
2.		Cover, Top
3.	116-2044-00	Cover Top Stopper
4.	116-1965-00	Cover Top Main
5.	333-4419-00 333-4424-00	Control Panel, Phaser 6300 Control Panel, Phaser 6350
6.	116-1966-00	Cover Assy Front (with 7)
7.		Lever Out
8.	116-1967-00	Cover Assy Top (Door C) Imaging Unit (with 9~16)
9.		Spring L/R
10.		Plunger
11.		Cover Top Phd
12.		Latch Top L
13.		Shaft Latch
14.		Latch Top Ir R
15.		Latch Top R
16.		Spring Stopper Bottom
17.		Cover Assy Rear (with 18,19)
18.	116-1968-00	Cover Rear
19.	116-1969-00	Fan Rear
20.	116-1970-00	Cover Side Right
21.		Stud Top
22.	116-1971-00	Cover Front Right
23.	116-1972-00	Tray 1 (MPT) Base
24.	Part of Tray Holder Kit	Holder Tray Right
25.	116-1973-00	Tray 1 (MPT) (with 26, 27)
26.		Tray 1 (MPT) Slide
27.		Cover Tray 1 (MPT)
28.	116-1974-00	Cover Front Left
29.	Part of Tray Holder Kit	Holder, Tray Left
30.	116-1975-00	Cover Side Left

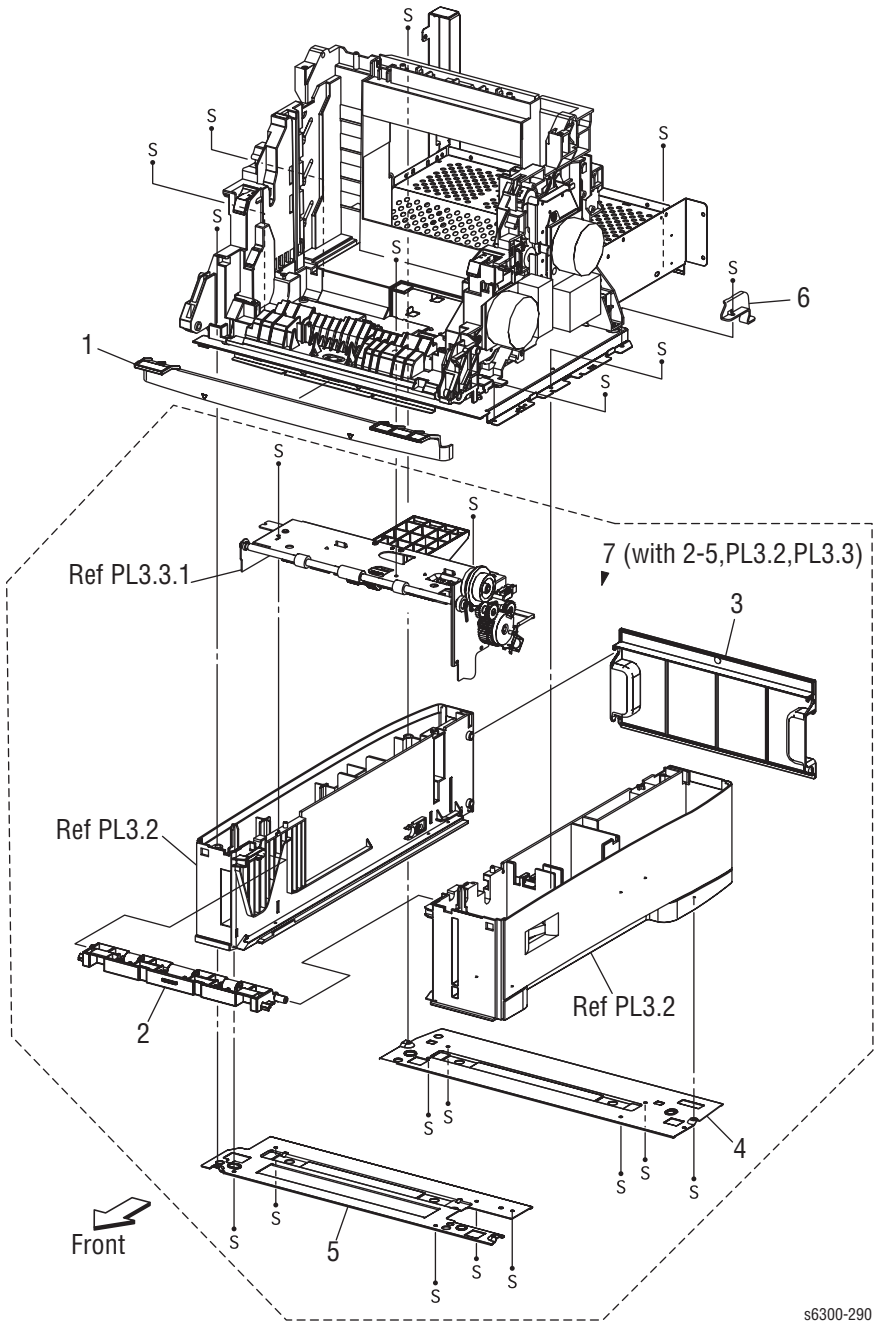
# Parts List 2.1 Tray 2



## Parts List 2.1 Cassette, Paper - Service Parts List

ID No.	Part Number	Name/Description
1.	116-1976-00	Universal Paper Tray (with 2~26)
2.		Plate Bottom
3.		Pad Bottom
4.		Spring N/f
5.		Guide Side Assy L
6.		Gear Manual
7.		Guide Side Assy R
8.		Guide End Assy
9.		Actuator Guide End
10.		Actuator Size
11.	116-1977-00	Chute Turn
12.	Part of Paper Feed Roller Kit	Universal Tray Retard Roller Assy (With 13~16)
13.		Roll Assy
14.		Clutch Assy Friction
15.		Shaft Retard
16.		Holder Retard
17.		Spring Retard
18.		
19.		
20.		Housing Cst 500
21.		Handle Cst
22.		Holder Spring Retard
23.		Roll PB
24.		Stopper Link PB R
25.		Stopper Link PB L
26.		Spacer Plate BTM
27.		Stopper Block

# Parts List 3.1 Feeder (1/3)



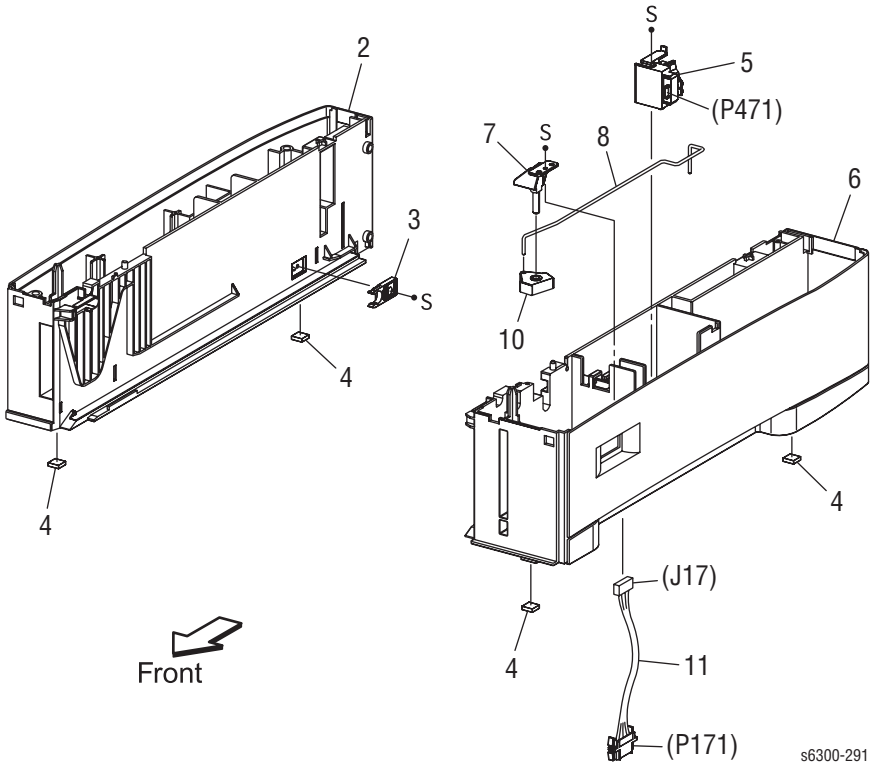
s6300-290



### Parts List 3.1 Feeder (1/3) - Service Parts List

<b>ID No.</b>	<b>Part Number</b>	<b>Name/Description</b>
1.	116-1978-00	Frame Feeder Front
2.	116-1979-00	Feeder Chute Assy
3.	116-1980-00	Cover Paper Tray Rear
4.		Frame Feeder Bottom Rear
5.		Frame Feeder Bottom Front
6.		Support Link SW
7.	116-1981-00	Feeder Assy (With 2-5,PL3.2,PL3.3)

# Parts List 3.2 Paper Feeder (2/3)

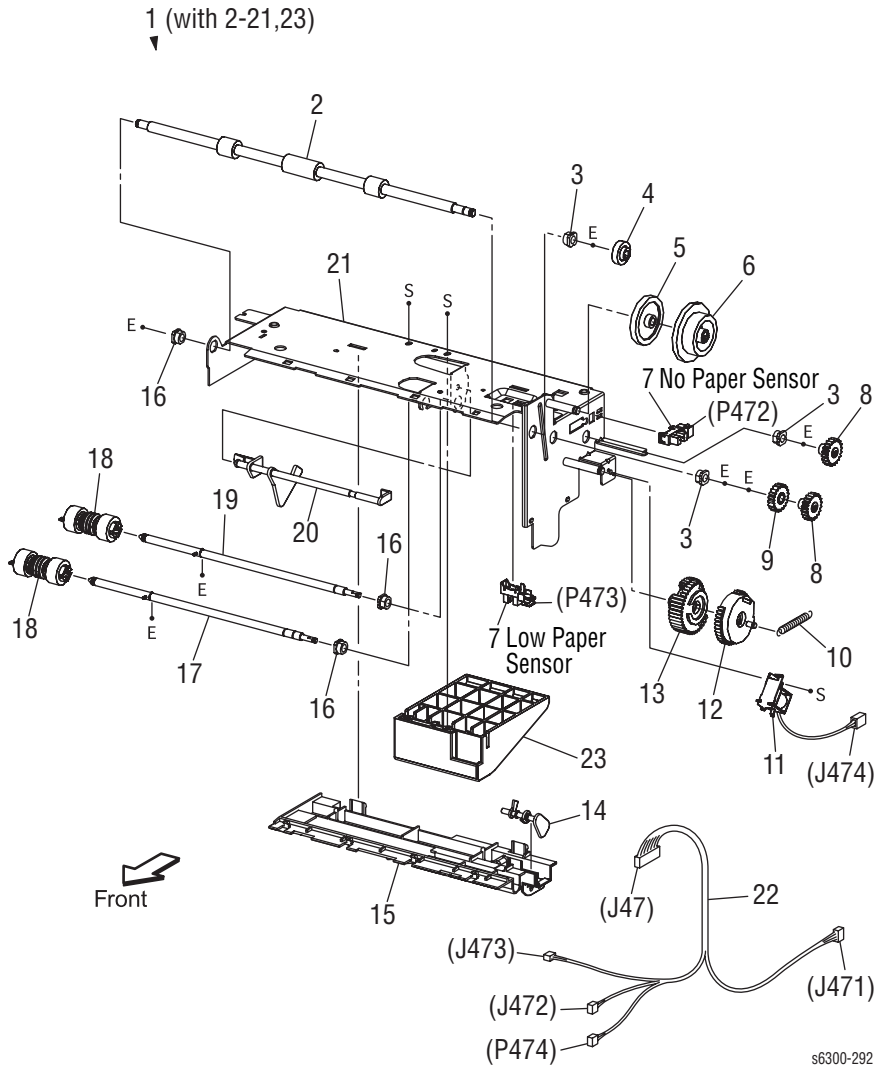


s6300-291

### Parts List 3.2 Paper Feeder (2/3) - Service Parts List

<b>ID No.</b>	<b>Part Number</b>	<b>Name/Description</b>
1.		--
2.		Feeder L
3.	116-1351-00 *	Stopper, Paper Tray
4.	116-1625-00 *	Printer Feet (4 ea. per order)
5.	116-2045-00	Paper Size Switch
6.		Feeder R
7.		S/W Holder
8.		Power Switch Link Shaft
9.		--
10.		Power Switch Actuator
11.	Part of Wiring Harness Kit	Harness Assy OPFPLG (J17-P171)

# Parts List 3.3 Paper Feeder (3/3)

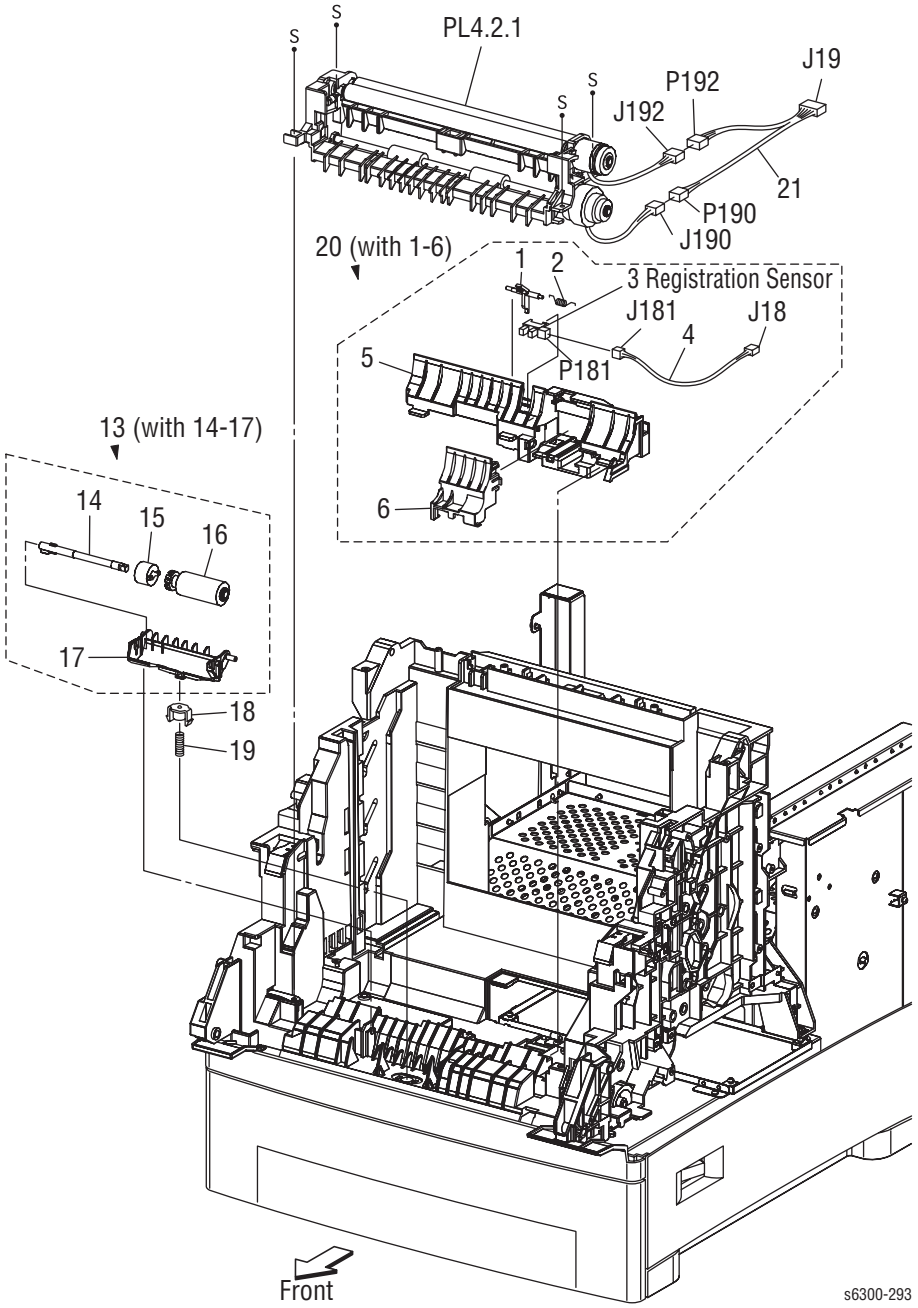


s6300-292

### Parts List 3.3 Paper Feeder (3/3) - Service Parts List

<b>ID No.</b>	<b>Part Number</b>	<b>Name/Description</b>
1.	116-1982-00	Paper Pick (Pickup Assy) Assembly (with 2~21, 23)
2.		Roll Assy Turn
3.		Bearing metal
4.		Gear Turn
5.		Gear Idler Turn
6.		Gear Idler In
7.	116-1354-00 *	Sensor Photo (Low Paper, No Paper Sensor)
8.		Gear Feed 2
9.		Gear Idler Feed
10.	Part of Spring Kit	Spring Feed H
11.		Solenoid Feed
12.		Gear Feed H2
13.		Gear Feed H1
14.	Part of Actutor Kit	Actuator Low Paper
15.		Chute Upper
16.		Bearing black
17.		Shaft Assy Feed
18.	Part of Paper Feed Roller Kit	Roll Assy Feed x 2
19.		Shaft Assy Nudger
20.	Part of Actutor Kit	Actuator No Paper
21.		Frame Assy Drive
22.	Part of Wiring Harness Kit	Harness Assy FDR (J47-J471,J472,J473,P474)
23.		Guide Paper

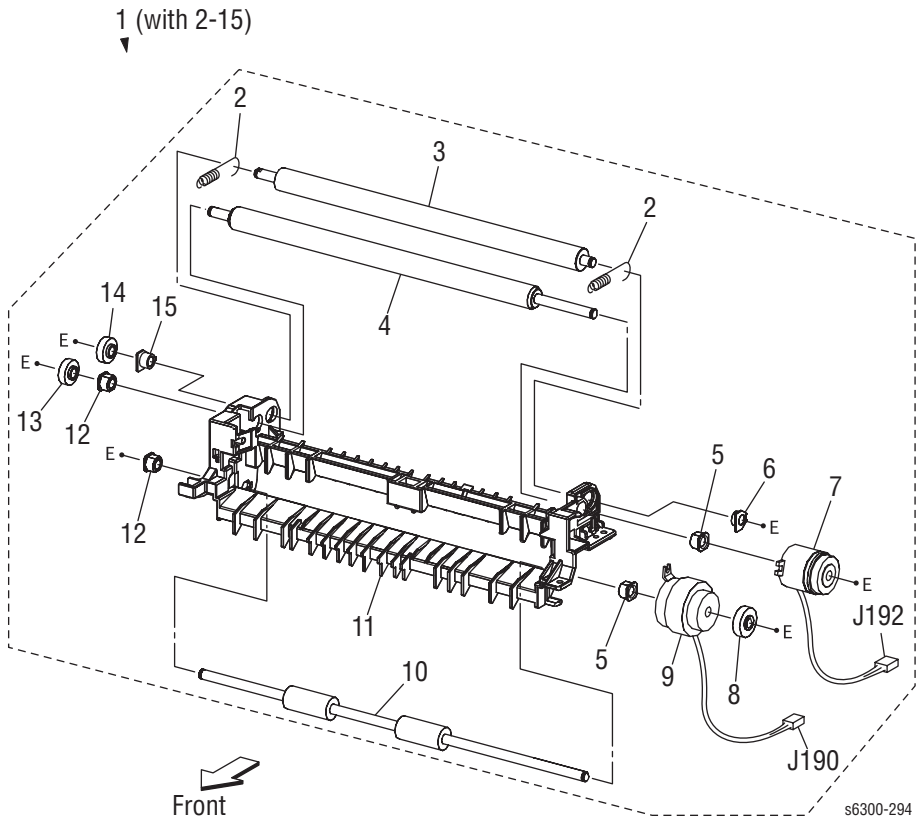
# Parts List 4.1 Retard and Registration Assemblies



## Parts List 4.1 Retard and Registration Assemblies - Service Parts List

<b>ID No.</b>	<b>Part Number</b>	<b>Name/Description</b>
1.	Part of Actuator Kit	Actuator Regi
2.	Part of Spring Kit	Spring Sensor Regi
3.	116-1983-00	Sensor Photo (Registration Sensor)
4.		Harness Assy Regi SNS(J18-J181)
5.		Chute Regi In
6.		Chute Cover Media
7.		
8.		
9.		
10.		
11.		
12.		
13.	116-1985-00	Tray 1 (MPT) Retard Roller Assembly (With 14~17)
14.		Shaft Retard
15.		Clutch Assy Friction
16.		Roll Assy Retard
17.		Holder Retard
18.		Holder Spring Retard
19.		Spring Retard
20.	116-1986-00	Registration Chute Assy (with 1~6)
21.	Part of Wiring Harness Kit	Harness Assy FRONTCLH (J19-J191,J192)

## Parts List 4.2 Registration Roller Assembly

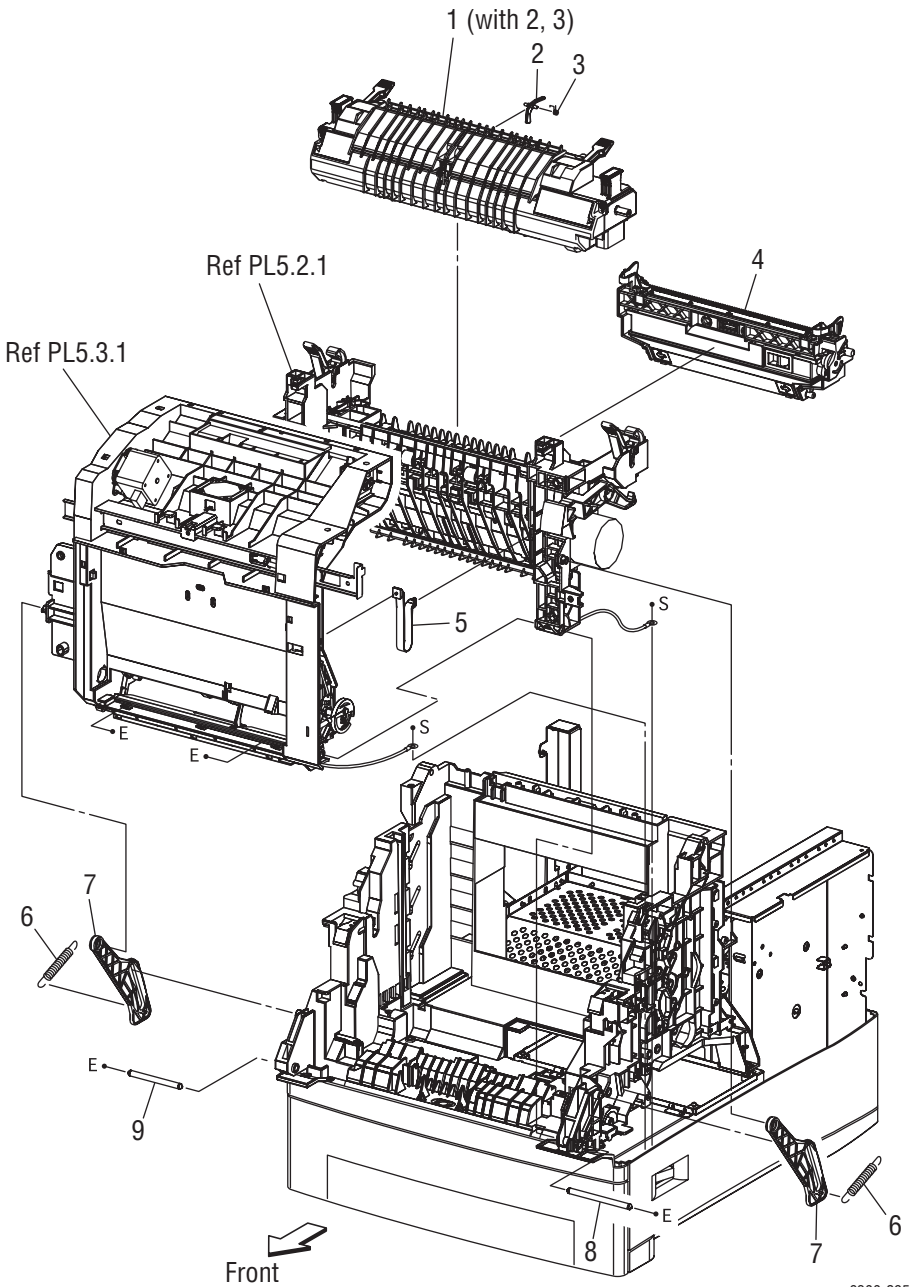




## Parts List 4.2 Registration Roller Assembly - Service Parts List

<b>ID No.</b>	<b>Part Number</b>	<b>Name/Description</b>
1.	116-1987-00	Registration Roller Assembly (With 2~15)
2.		Spring Regi
3.		Roll Regi Metal
4.		Roll Regi Rubber
5.		Bearing
6.		Bearing Metal R
7.		Clutch Regi
8.		Gear P1
9.		Turn Clutch MPT
10.		Roll Turn MPT
11.		Chute Regi
12.		Bearing Earth
13.		Gear Regi Rubber
14.		Gear Regi Metal
15.		Bearing Metal L

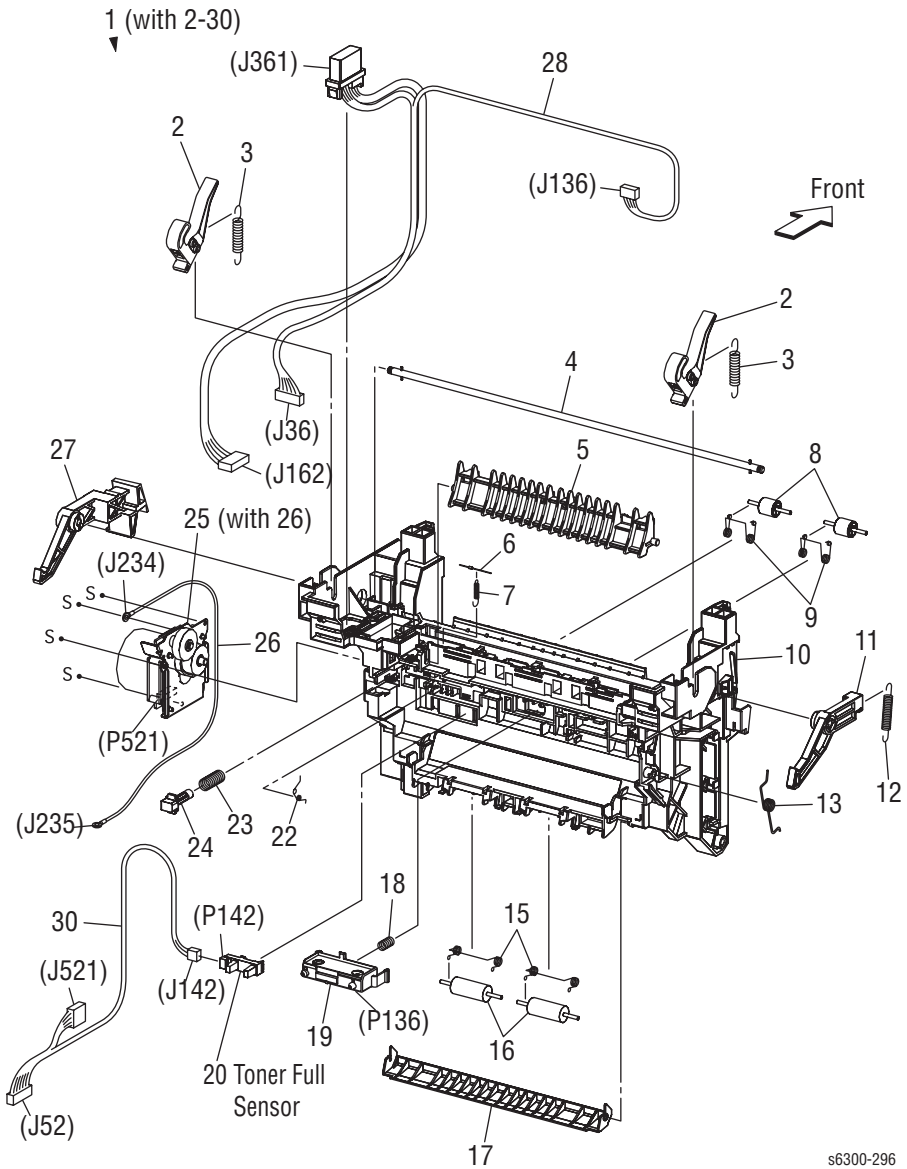
# Parts List 5.1 Chute Assembly In and Out



## Parts List 5.1 Chute Assembly In and Out - Service Parts List

ID No.	Part Number	Name/Description
1.	115R00035 115R00036	Fuser Assy 110V (with 2,3) Fuser Assy 220V (with 2,3)
2.	Part of Actuator Kit	Actuator Exit
3.	116-1448-00 *	Spring Actuator
4.	108R00646	Transfer Roller (Unit) (BTR)
5.	116-2042-00	Stopper Strap
6.	Part of Spring Kit	Spring Link
7.	116-1988-00	Link
8.		Shaft Pivot R
9.		Shaft Pivot L

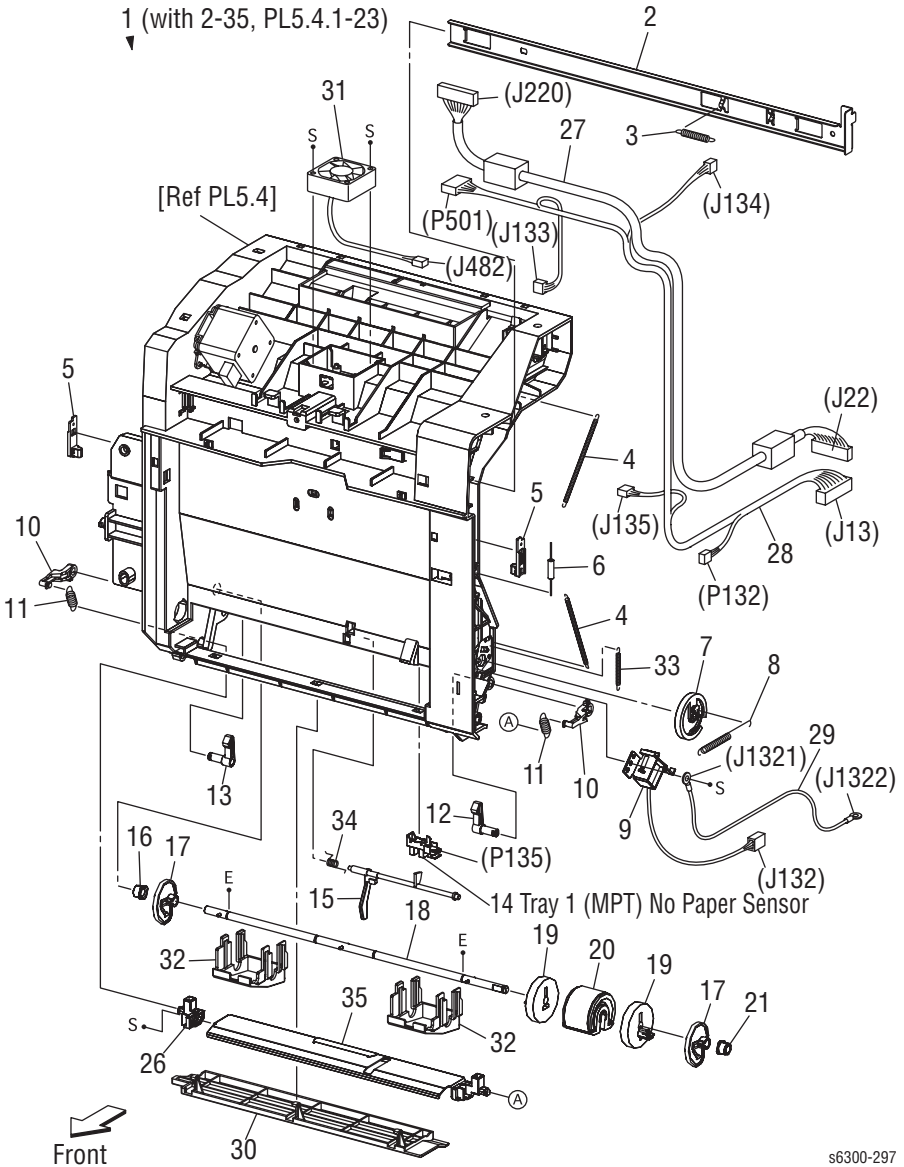
# Parts List 5.2 Chute Assembly In



## Parts List 5.2 Chute Assembly In - Service Parts List

<b>ID No</b>	<b>Part Number</b>	<b>Name/Description</b>
1.	116-1989-00	Chute Assy In (with 2~30)
2.	116-2058-00	Fuser Lock Lever
3.	Part of Spring Kit	Spring Lever
4.		Shaft Latch
5.		Chute FSR In
6.	116-1990-00	Diode F
7.	Part of Spring Kit	Spring Diode F
8.		Roll Pinch Dup
9.		Spring Pinch Dup
10.		Chute Dup In
11.		Latch L
12.	Part of Spring Kit	Spring Latch
13.		Spring BTR L
14.		--
15.		Spring Pinch T
16.		Roll Pinch Turn
17.		Chute Turn In
18.	Part of Spring Kit	Spring ADC
19.	116-1991-00	CDT (ADC) Sensor Holder Assy (includes sensor)
20.	116-1992-00	Toner Full Sensor
21.		--
22.	Part of Spring Kit	Spring Bias DTC
23.		Spring BTR R
24.		Stopper BTR R
25.	116-1993-00	Fuser Drive Assembly (with 26)
26.		Wire Assy FSR Earth
27.		Latch R
28.	Part of Wiring Harness Kit	Harness Assy FSR/ADC (J36-J136,J162,J361)
29.		--
30.	Part of Wiring Harness Kit	Harness Assy TNRFULL/FSR (J52-J142,J521)

# Parts List 5.3 Chute Assembly Out

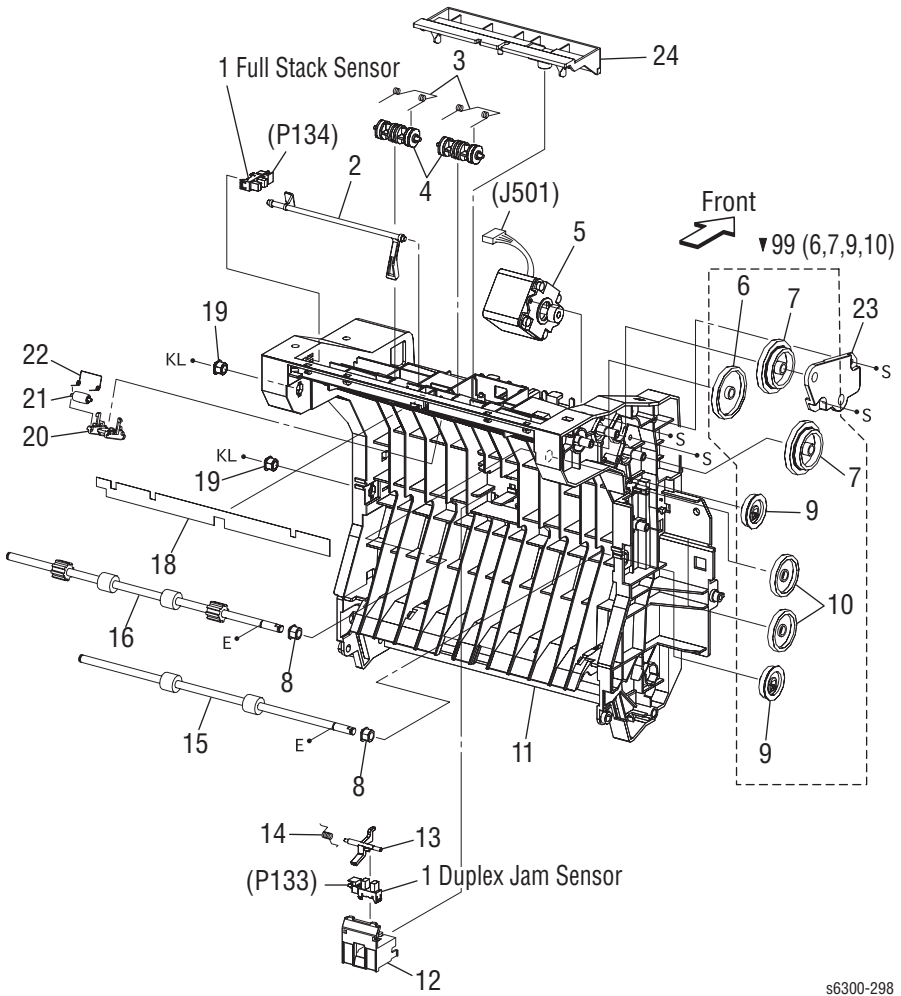


s6300-297

## Parts List 5.3 Chute Assembly Out - Service Parts List

ID No.	Part Number	Name/Description
1.	116-1994-00	Chute Assy Out (With 2~35,PL5.4)
2.		Plate Latch
3.		Spring Latch
4.	Part of Spring Kit	Spring Bias IDT1-I
5.		Latch MPT
6.	116-1995-00	Resistor Gs1 50m
7.		Gear MPT
8.	Part of Spring Kit	Spring Feed MPT
9.	116-1996-00	Feed Solenoid MPT
10.		Arm MPT
11.	Part of Spring Kit	Spring N/F MPT
12.		Follower R
13.		Follower L
14.	116-1983-00	Sensor Photo No Paper (MPT)
15.	Part of Actuator Kit	Actuator No Paper MPT
16.		Bearing
17.		Cam MPT
18.		Shaft MPT
19.		Roll Core MPT
20.	116-1997-00	Feed Roller Assy MPT
21.		Bearing Earth
22.		-
23.		--
24.		--
25.		--
26.		Holder MPT L
27.	116-2049-00	Harness Assy Control Panel (OPEPANE2) (J22-J220)
28.	Part of Wiring Harness Kit	Harness Assy FRONT/DUP (J13-P132,J133,J134,J135,P501)
29.		Wire Assy Dup Earth (J1321-J1322)
30.	116-1998-00	Lower Cover
31.	116-1999-00	Fuser Fan
32.	116-2000-00	Feed Chute
33.	Part of Spring Kit	Spring Earth Out2
34.	Part of Spring Kit	Spring No Paper MPT
35.	116-2001-00	Assy, Plate Bottom

# Parts List 5.4 Chute Assembly Duplex



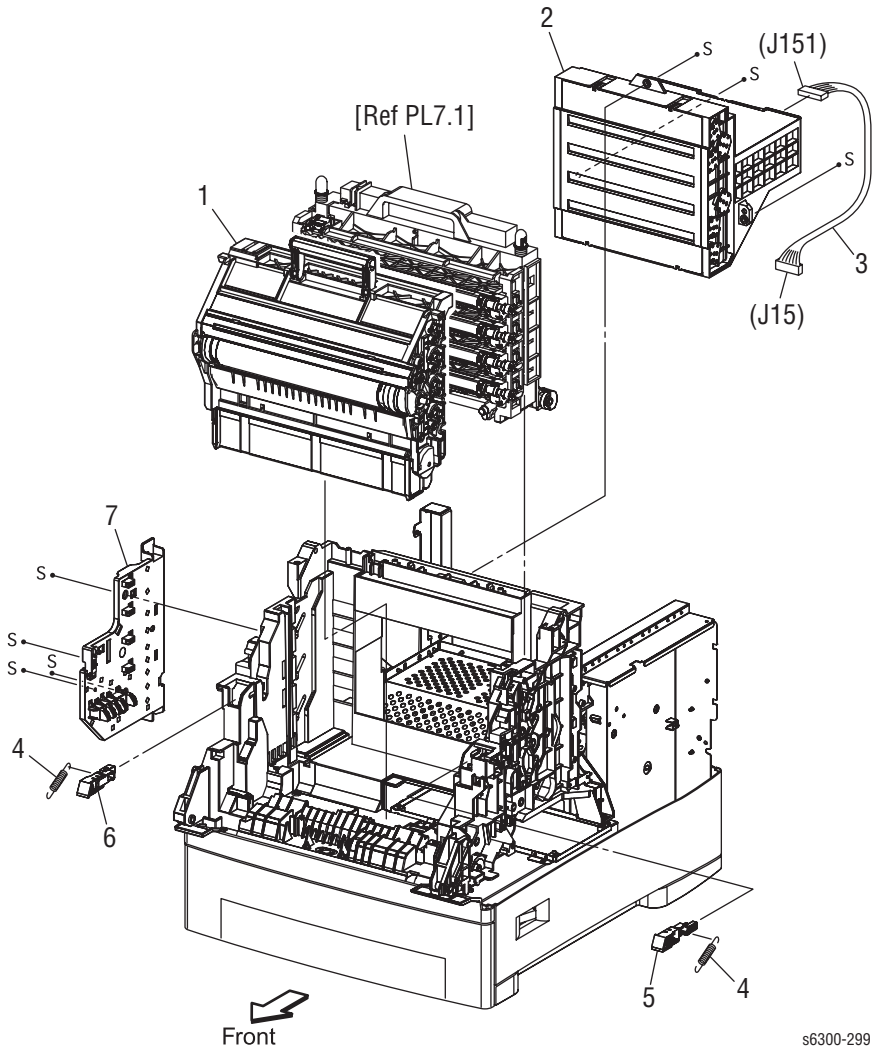
s6300-298



## Parts List 5.4 Chute Assembly Duplex - Service Parts List

ID No.	Part Number	Name/Description
1.	116-1983-00	Sensor Photo (Full Stack Sensor)
2.	Part of Actuator Kit	Actuator Full Stack
3.	Part of Spring Kit	Spring Pinch Exit
4.		Roll Pinch Exit
5.	116-2002-00	Duplex Motor Assy
6.		Gear 52
7.		Gear 40/66h
8.		Bearing
9.		Gear Exit/dup
10.		Gear 41
11.		Chute Dup Out
12.		Holder Sensor Dup
13.	116-1421-00 *	Actuator Duplex Jam
14.	116-1423-00 *	Actuator Spring Duplex Jam
15.		Roll Dup
16.		Roll Exit
17.		- -
18.		Eliminator Exit
19.		Bearing Earth
20.		Holder Roll
21.		Roll Corrugate
22.		Spring Corrugate
23.		Cover Gear Dupout
24.		Upper Exit Cover - Not included with PL5.3.1
99.	116-2039-00	Chute Assy Gear Kit (with 6,7,9, 10)

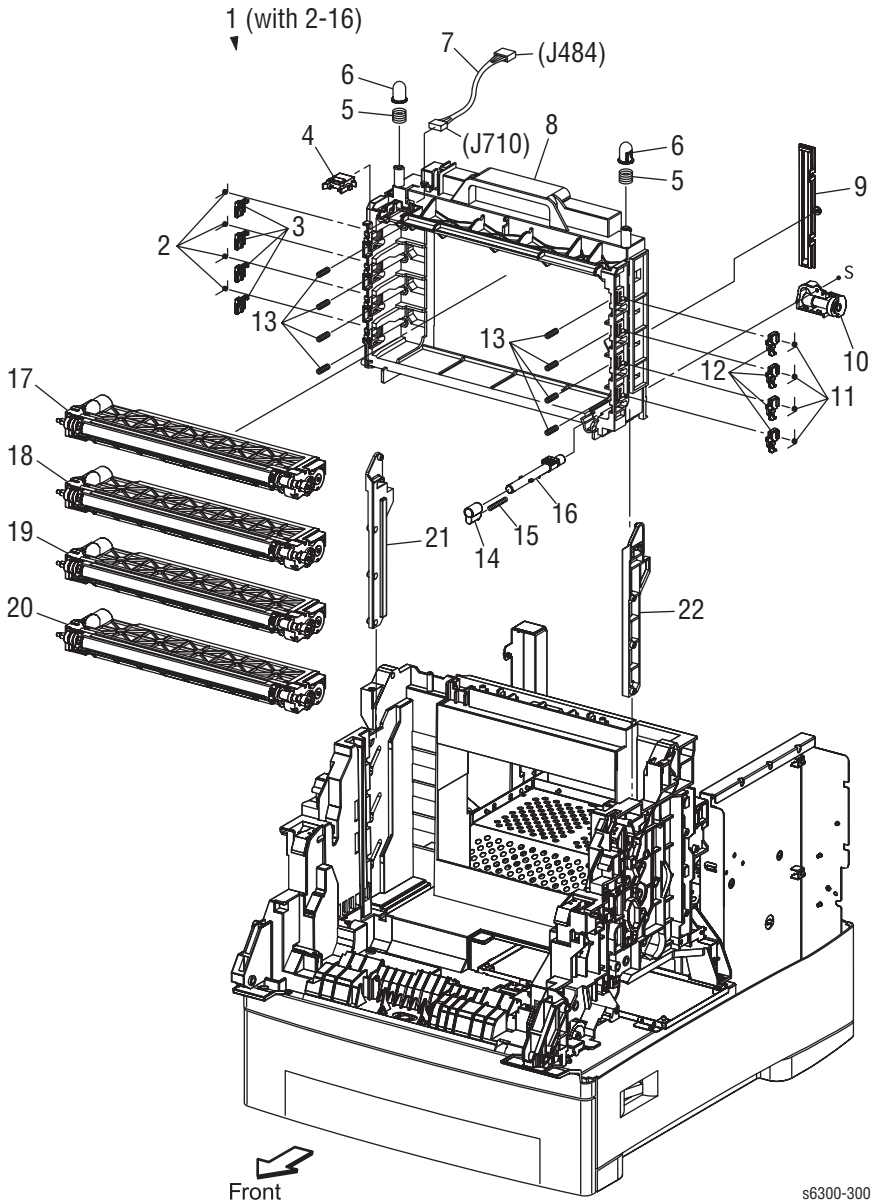
# Parts List 6.1 Xerographics



## Parts List 6.1 Xerographics - Service Parts List

<b>ID No.</b>	<b>Part Number</b>	<b>Name/Description</b>
1.	108R00645	Imaging Unit (PHD)
2.	116-2003-00	Laser Unit (ROS)
3.	116-2047-00	Harness Assy Ros (J15-J151)
4.	Part of Spring Kit	Spring Release
5.	116-2004-00	Lever Stopper Right
6.	116-2005-00	Lever Stopper Left
7.	116-2006-00	Housing Assy Bias

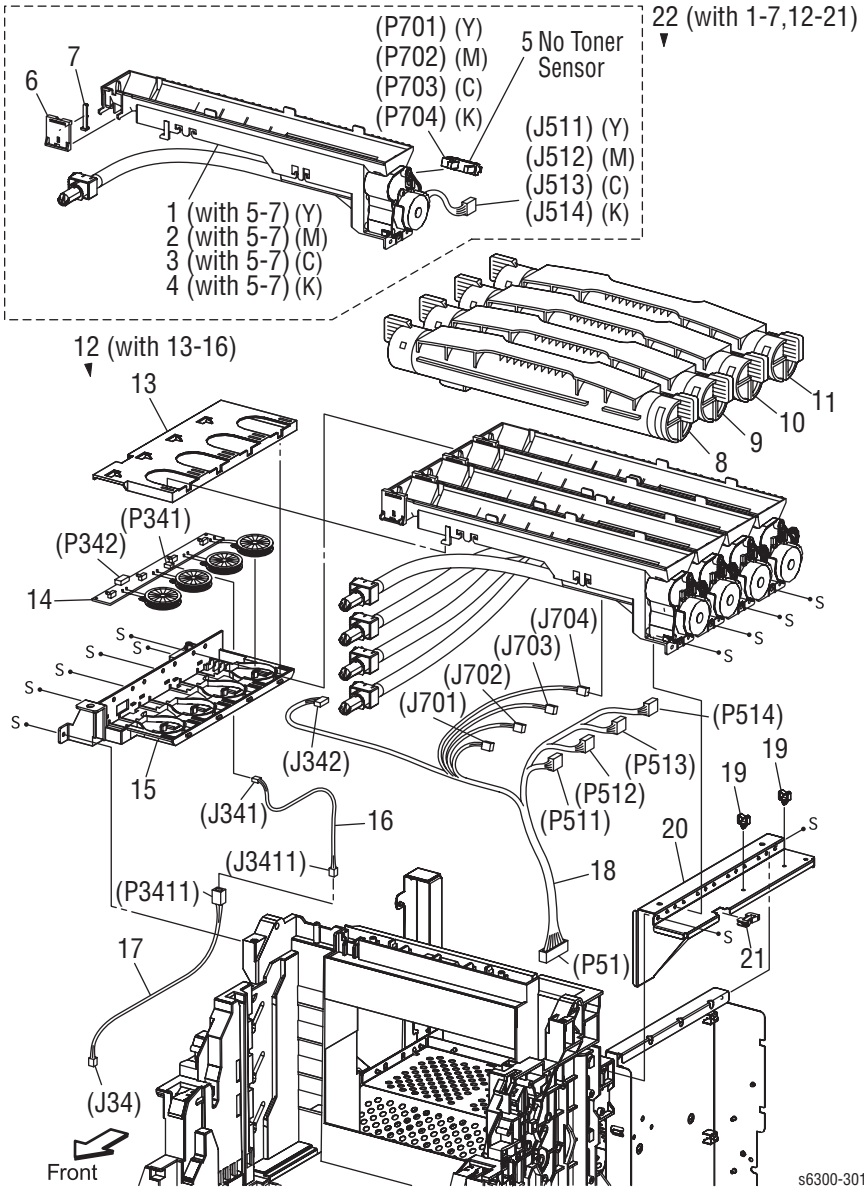
# Parts List 7.1 Development (1/2)



## Parts List 7.1 Development (1/2) - Service Parts List

<b>ID No.</b>	<b>Part Number</b>	<b>Name/Description</b>
1.	116-2007-00	Developer Frame Assy (with 2~16)
2.		Spring L
3.		Stopper Deve L
4.	116-2048-00	CRUM Connector
5.		Spring Plunger
6.		Plunger Frame
7.	116-2051-00	Harnass Assy PHD2 (J484-J710)
8.		Frame Deve
9.		Cover Assy Frame
10.		Gear Assy Duct
11.		Spring R
12.		Stopper Deve R
13.	116-2052-00	Spring Tracking (Qty. 1)
14.		Shutter Duct
15.		Spring Shutter Duct
16.		Nozzle Assy Duct
17.	116-2008-00	Developer Assy (Y)
18.	116-2009-00	Developer Assy (M)
19.	116-2010-00	Developer Assy (C)
20.	116-2011-00	Developer Assy (K)
21.	116-2012-00	Guide Frame Deve Left
22.	116-2013-00	Guide Frame Deve Right

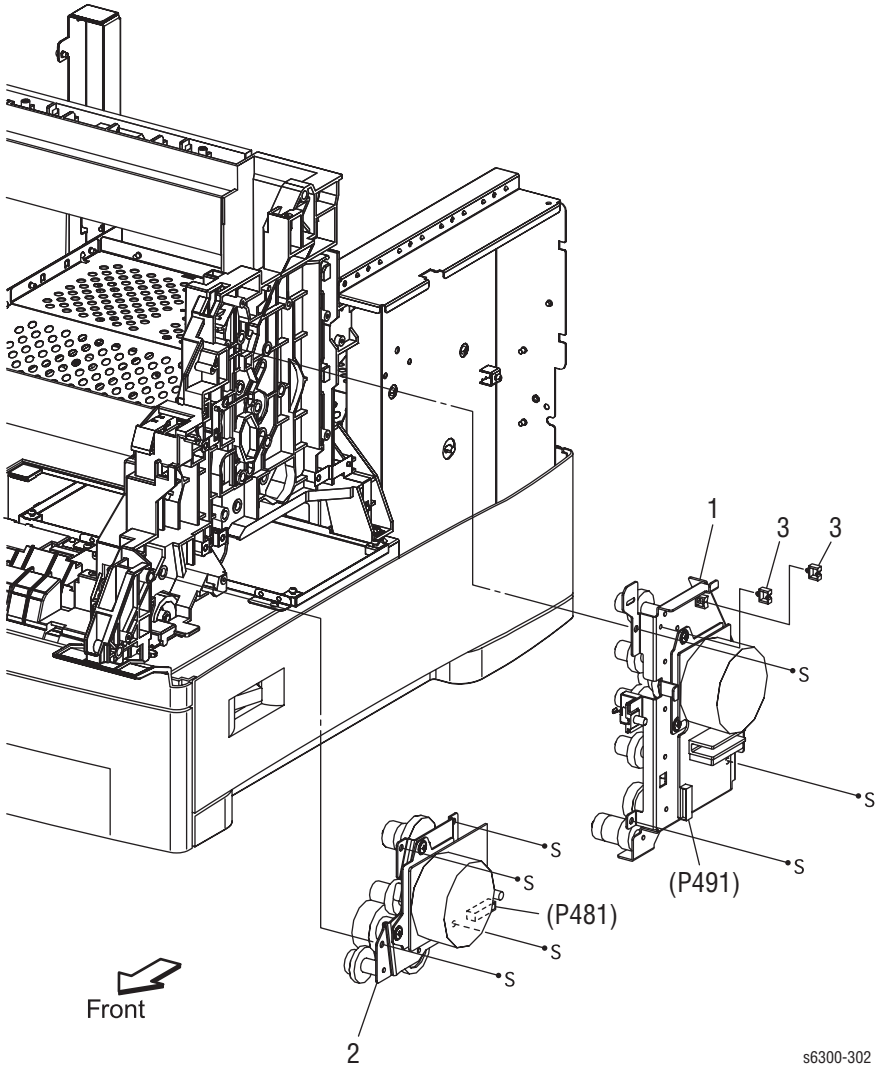
# Parts List 7.2 Development (2/2)



## Parts List 7.2 Development (2/2) - Service Parts List

ID No.	Part Number	Name/Description
1.	116-2014-00	Holder, Toner Cartridge Assy, Yellow (with 5~7)
2.	116-2015-00	Holder, Toner Cartridge Assy, Magenta (with 5~7)
3.	116-2016-00	Holder, Toner Cartridge Assy, Cyan (with 5~7)
4.	116-2017-00	Holder, Toner Cartridge Assy, Black (with 5~7)
5.	116-2046-00	Sensor No Toner
6.	116-1604-00 *	Switch Bracket, Toner CTG-IN
7.	116-1605-00 *	Actuator Toner CTG-IN
8.	See (page 9-60)	Toner Cartridge (Y)
9.	See (page 9-60)	Toner Cartridge (M)
10.	See (page 9-60)	Toner Cartridge (C)
11.	See (page 9-60)	Toner Cartridge (K)
12.	116-2018-00	Box Assy CRUM Reader (With 13~16)
13.		Cover Holder CRUM
14.		Coil Assy CRUM Reader
15.		Hsg Base CRUM
16.		Harness Assy RFID2 (J341-J3411)
17.	116-2053-00	Harness Assy RFID(J34-P3411)
18.	Part of Wiring Harness Kit	Harness Assy TNR (J51-J342,P511,P512,P513,P514,J701,J702,J703,J704) )
19.		Clamp Mini-sdl
20.		Bracket Holder Dsp
21.		Saddle Bush
22.		Dispenser Toner Hi Assy (With 1-7,12-21)

# Parts List 8.1 Drive



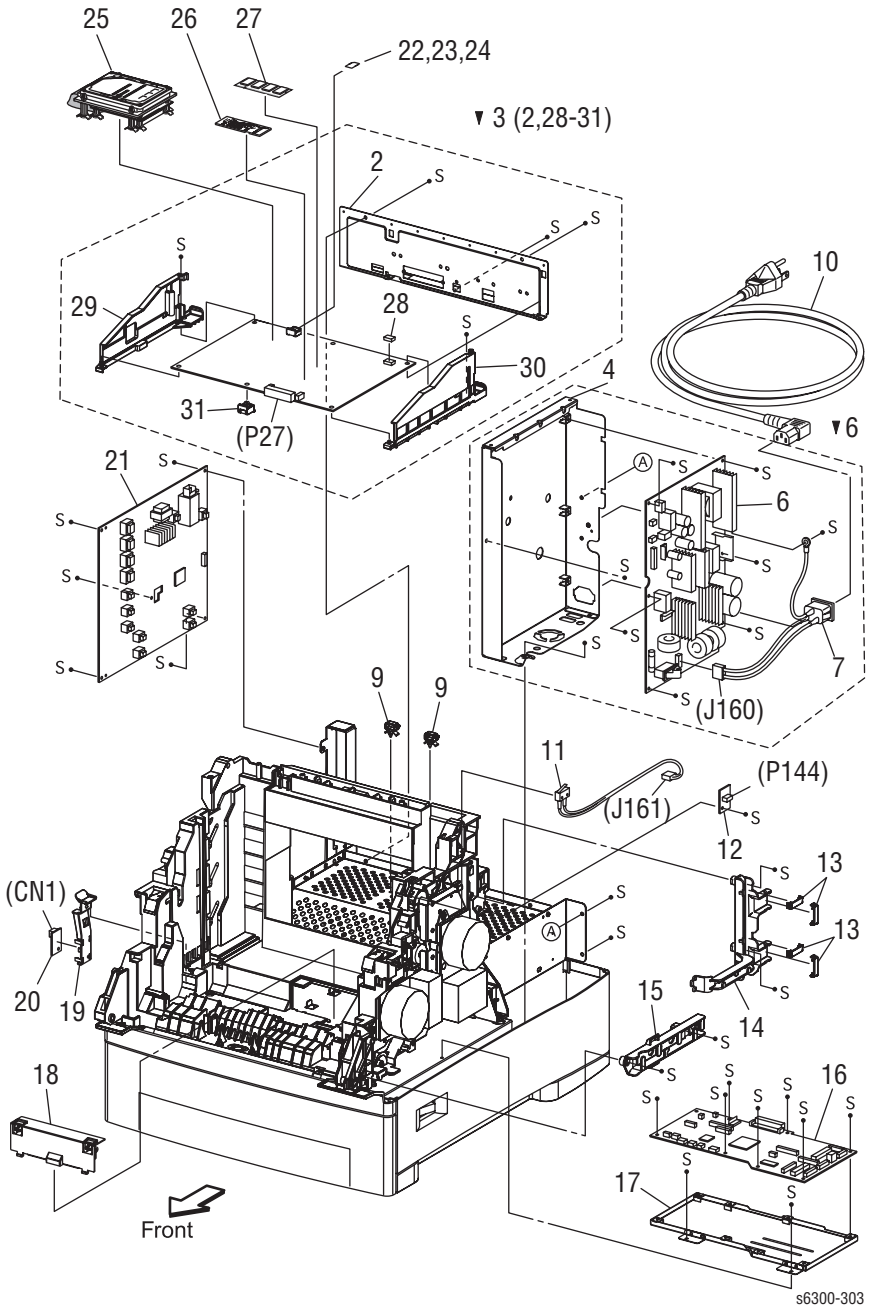
s6300-302



## Parts List 8.1 Drive - Service Parts List

<b>ID No.</b>	<b>Part Number</b>	<b>Name/Description</b>
1	116-2019-00	Developer Drive Assembly
2	116-2020-00	Main Drive Assembly
3		Clamp

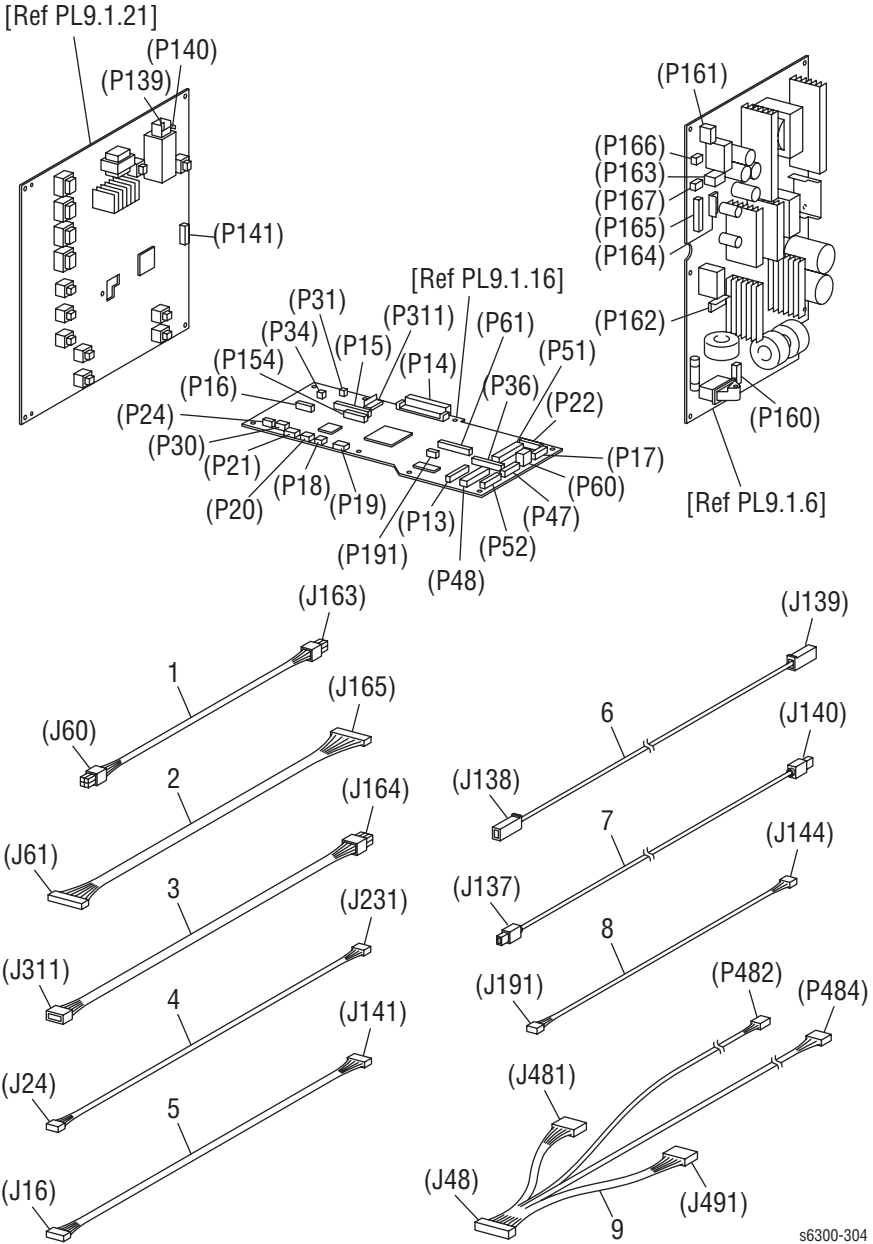
# Parts List 9.1 Electrical



## Parts List 9.1 Electrical - Service Parts List

ID No.	Part Number	Name/Description
1.		- -
2.		Plate Assy Rear
3.	650-4365-00	Image Processor Board (with 2, 28~31)
4.		Box Assy LVPS
5.		-
6a.	116-2037-00	Low Voltage Power Supply (LVPS), 110V (with 4, 7)
6b.	116-2038-00	Low Voltage Power Supply (LVPS), 220V (with 4, 7)
7.		Harness Assy AC Inlet
8.		- -
9.		Clamp
10.	161-0312-00	Power Cord - Unique to Phaser 6300/ 6350
11.	116-2021-00	Interlock Switch Assy
12.	116-2022-00	EEPROM Circuit Board
13.	116-1489-00 *	Clamp Guide Harness
14.		Guide Harness R
15.		Guide Harness F
16.	116-2036-00	Engine Control (MCU) Circuit Board (with 17)
17.		Bracket Assy MCU
18.		Cover Elec
19.		Bracket Temp
20.	116-2023-00	Temperature/Humidity Sensor
21.	116-2041-00	High Voltage Power Supply (HVPS) Board
22.	163-1521-00	Configuration Card, N configuration - Phaser 6300 Only
23.	163-1525-00	Configuration Card, DN configuration - Phaser 6300 Only
24.	163-1522-00	Configuration Card, DP configuration - Phaser 6350 Only
25.	650-4364-00	Internal 20 GB Hard Drive
26.	856-0003-00	256 MB, 16M x 64, PC133; Memory DIMM
27.	856-0004-00	512 MB, 32M x 64, PC133; Memory DIMM
28.	116-1459-00	IP Board NVRAM
29.		PWB Bracket Left
30.		PWB Bracket Right
31.		Block PWB

# Parts List 10.1 Harness Assemblies

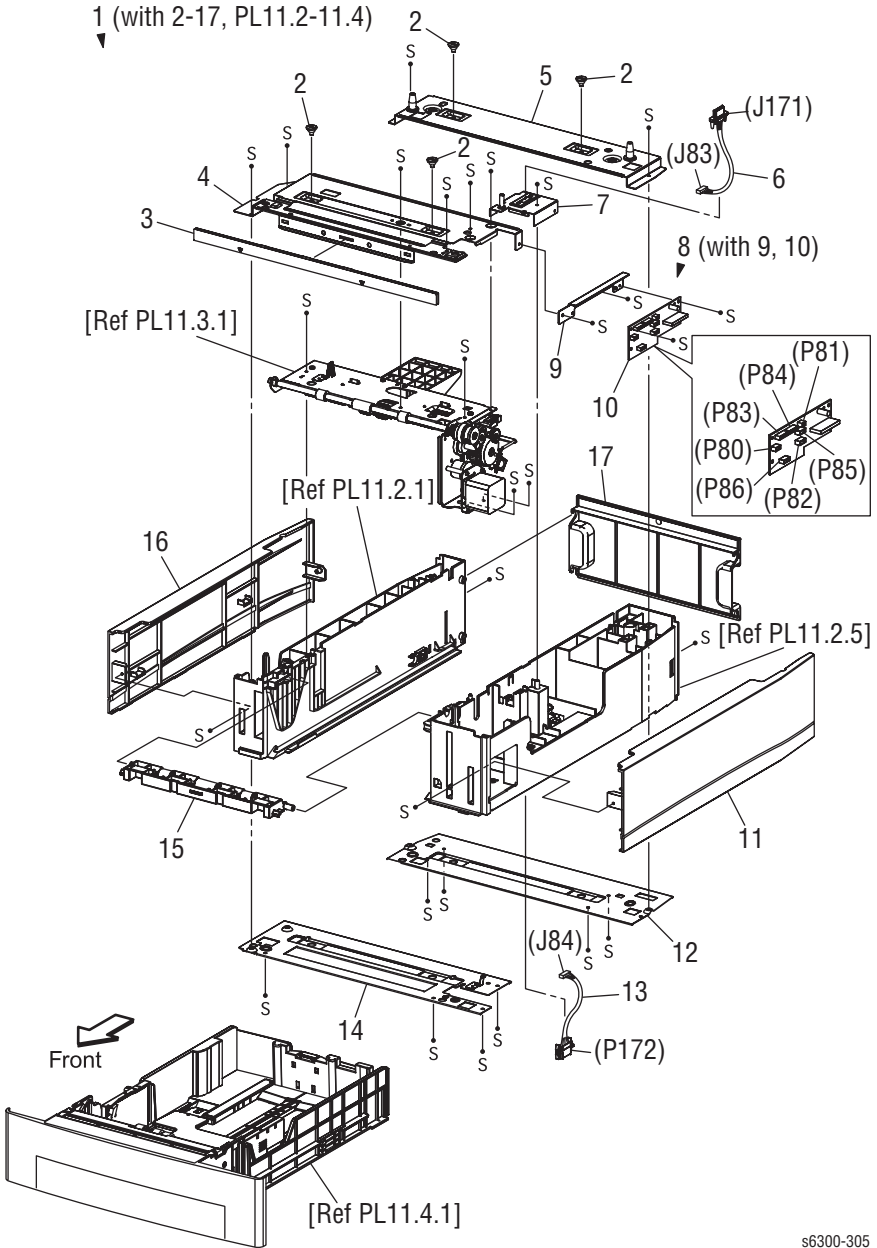


## Parts List 10.1 - Harness Assemblies - Service Parts List

<b>ID No.</b>	<b>Part Number</b>	<b>Name/Description</b>
1.	Part of Wiring Harness Kit	Harness Assy 24V (J60-J163)
2.	Part of Wiring Harness Kit	Harness Assy LV (J61-J165)
3.	Part of Wiring Harness Kit	Harness Assy LV RPG (J164-J311)
4.	Part of Wiring Harness Kit	Harness Assy TMP (J24-J231)
5.	Part of Wiring Harness Kit	Harness Assy HVPS (J16-J141)
6.	Part of Wiring Harness Kit	Wire Assy BTR (J138-J139)
7.	Part of Wiring Harness Kit	Wire Assy Regi (J137-J140)
8.	Part of Wiring Harness Kit	Harness Assy EEPROM (J191-J1911)
9.	Part of Wiring Harness Kit	Harness Assy FAN/PHD/MOT (J48-J481,J482,J484,J491)

# Optional 550-Sheet Feeder

## Parts List 11.1 550-Sheet Feeder (1/2)

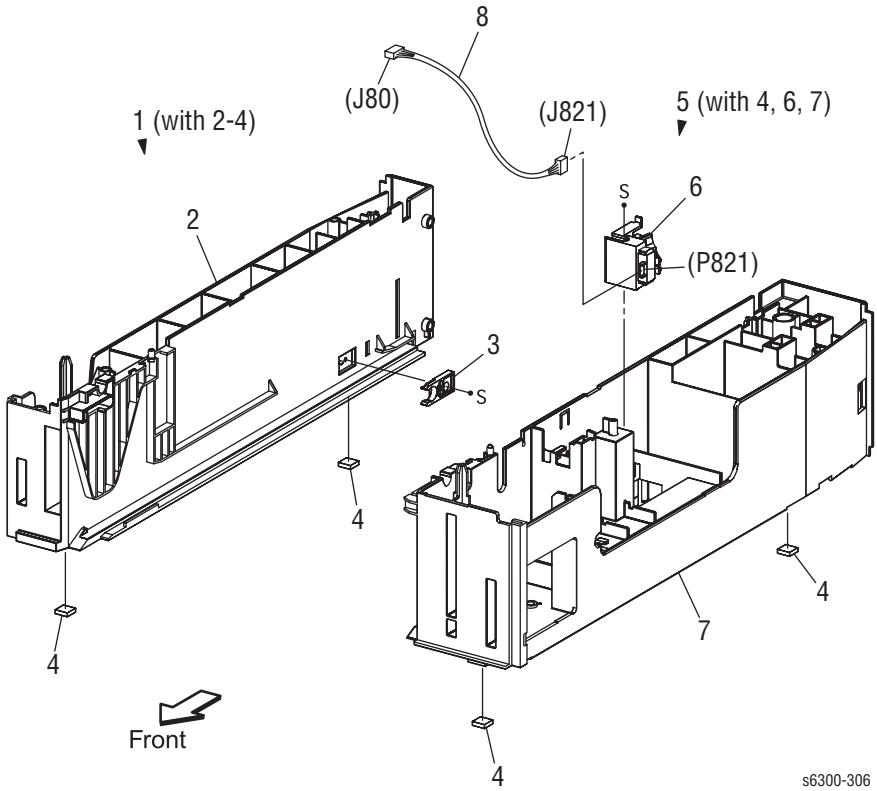


s6300-305

## Parts List 11.1 550-Sheet Feeder (1/2) - Service Parts List

<b>ID No.</b>	<b>Part Number</b>	<b>Name/Description</b>
1.	119-6561-00	550-Sheet Feeder (with 2-17,PL11.2~11.4)
2.		Screw Joint
3.		Cover Front
4.		Frame Assy Top Front
5.		Frame Assy Top Rear
6.	Part of Wiring Harness Kit	Harness Assy OPFREC (J83-J171)
7.		Plate Connector
8.		PWB Assy (with 9,10)
9.		Plate PWBA
10.		PWBA OPTFDR
11.		Cover Right
12.		Plate Bottom Rear
13.		Harness Assy OPFPLG2 (J84-P172)
14.		Plate Bottom Front
15.	116-1979-00	Feeder Chute
16.		Cover Left
17.	116-1980-00	Cover, Paper Tray Rear

# Parts List 11.2 550-Sheet Feeder (2/2)



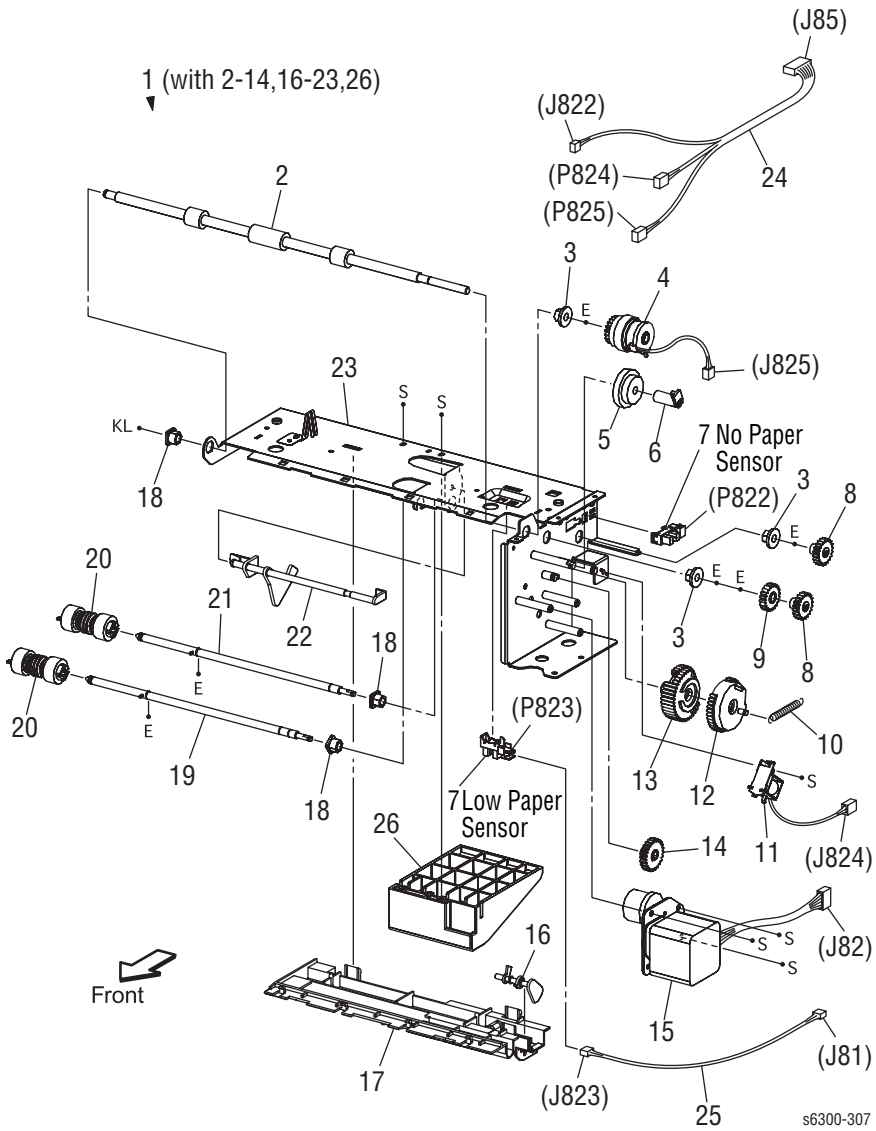
s6300-306



## Parts List 11.2 550-Sheet Feeder (2/2) - Service Parts List

<b>ID No.</b>	<b>Part Number</b>	<b>Name/Description</b>
1.		Feeder Assy Left (with 2~4)
2.		Housing Left
3.	116-1351-00 *	Stopper, Paper Tray
4.	116-1625-00 *	Printer Feet (4 ea. per order)
5.		Feeder Assy Right (with 4,6,7)
6.	116-2045-00	Paper Size Switch Assy
7.		Housing Right
8.		Harness Assy SIZE (J80-J821)

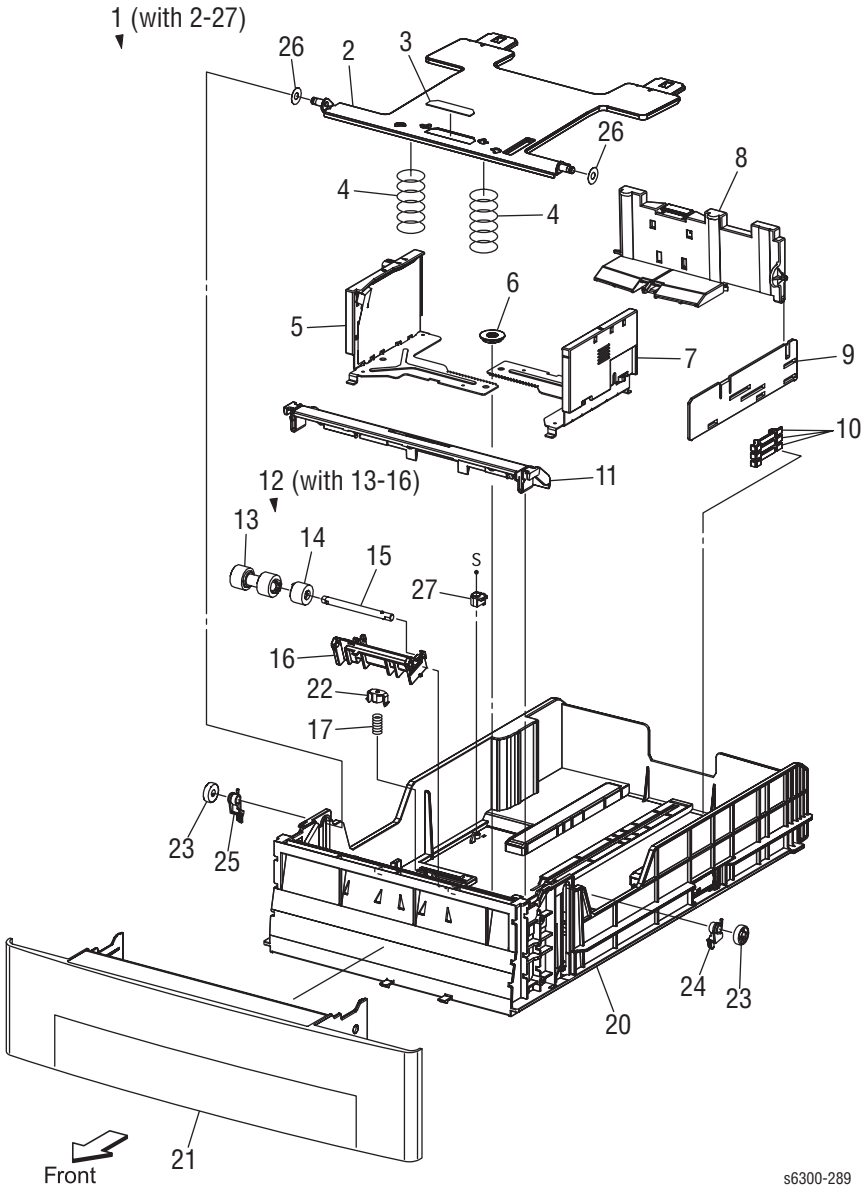
# Parts List 11.3 Tray 3 Paper Pick Assembly



## Parts List 11.3 Tray 3 Paper Pick Assembly - Service Parts List

ID No.	Part Number	Name/Description
1.		Paper Pick (Pickup Assy) Assembly (with 2~14,16~23, 26)
2.		Roll Assy Turn
3.		Bearing (F6xL8)/Metal
4.		Clutch Assy
5.		Gear Idle 21/29
6.		Stopper Clutch
7.	116-1354-00 *	Sensor Photo (No Paper, Low Paper Sensor)
8.		Gear Feed2
9.		Gear Idler Feed
10.	Part of Spring Kit	Spring Feed H
11.		Solenoid Feed
12.		Gear Feed H2
13.		Gear Feed H1
14.		Gear 24
15.		Drive Assy
16.	Part of Actuator Kit	Actuator Low Paper
17.		Chute Upper
18.		Bearing (F6xL8)/Black
19.		Shaft Assy Feed
20.	Part of Paper Feed Roller Kit	Roll Assy Nudger x 2
21.		Shaft Assy Nudger
22.	Part of Actuator Kit	Actuator No Paper
23.		Frame Assy Pickup
24.		Harness Assy OPFDR (J85-J822,P824,P825)
25.		Harness Assy LOWP (J81-J823)
26.		Guide Paper

# Parts List 11.4 Universal Paper Tray



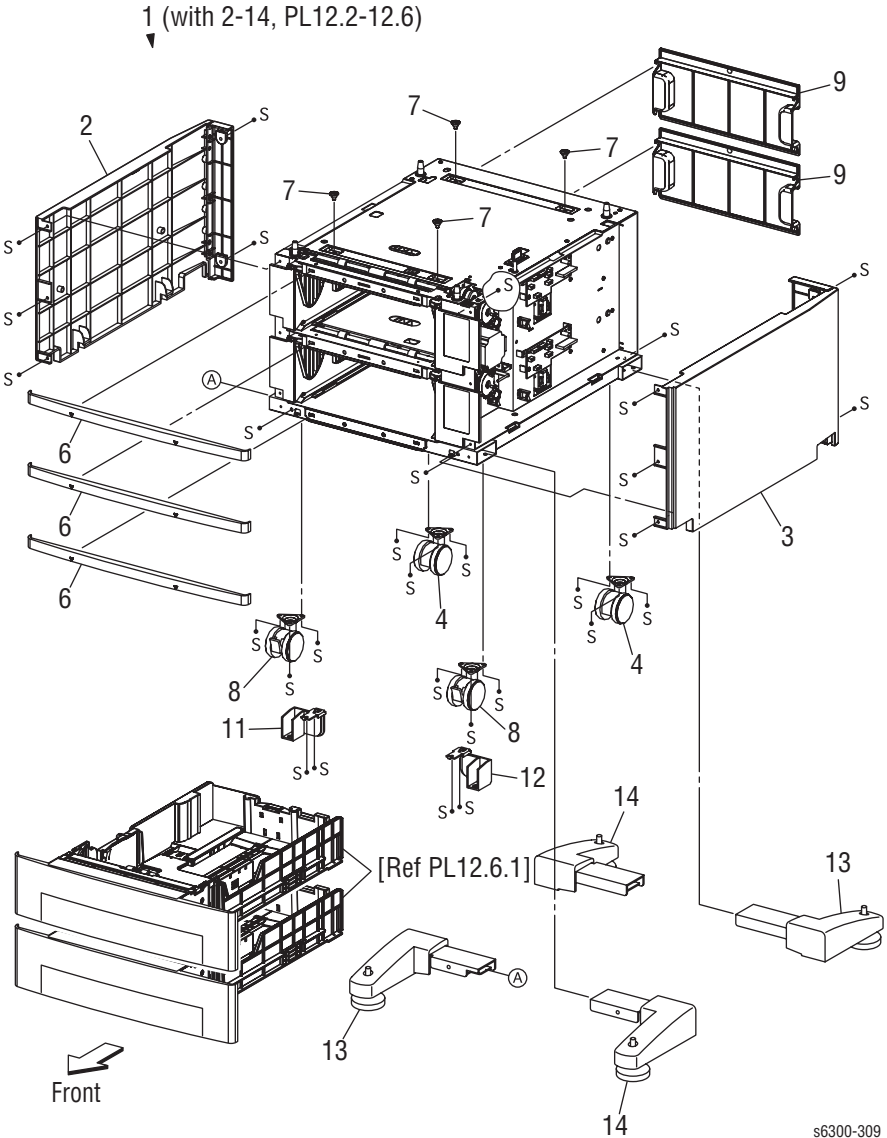
s6300-289

## Parts List 11.4 Universal Paper Tray - Service Parts List

ID No.	Part Number	Name/Description
1.	116-1976-00	Universal Paper Tray (with 2~26)
2.		Plate Assy Btm
3.		Pad Bottom
4.		Spring N/F
5.		Guide Assy Side L
6.		Gear Manual
7.		Guide Assy Side R
8.		Guide Assy End
9.		Actuator Guide End
10.		Actuator Size
11.	116-1977-00	Chute Turn
12.	Part of Paper Feed Roller Kit	Retard Assy (with 13~16)
13.		Roll Assy Retard
14.		Clutch Assy Friction
15.		Shaft Assy Retard
16.		Holder Retard
17.		Spring Retard
18.		--
19.		--
20.		Housing Cst 500
21.		Handle Cst
22.		Holder Spring Retard
23.		Roll PB
24.		Stopper Link PB R
25.		Stopper Link PB L
26.		Spacer Plate Btm
27.		Stopper Block

# Optional 1100-Sheet Feeder

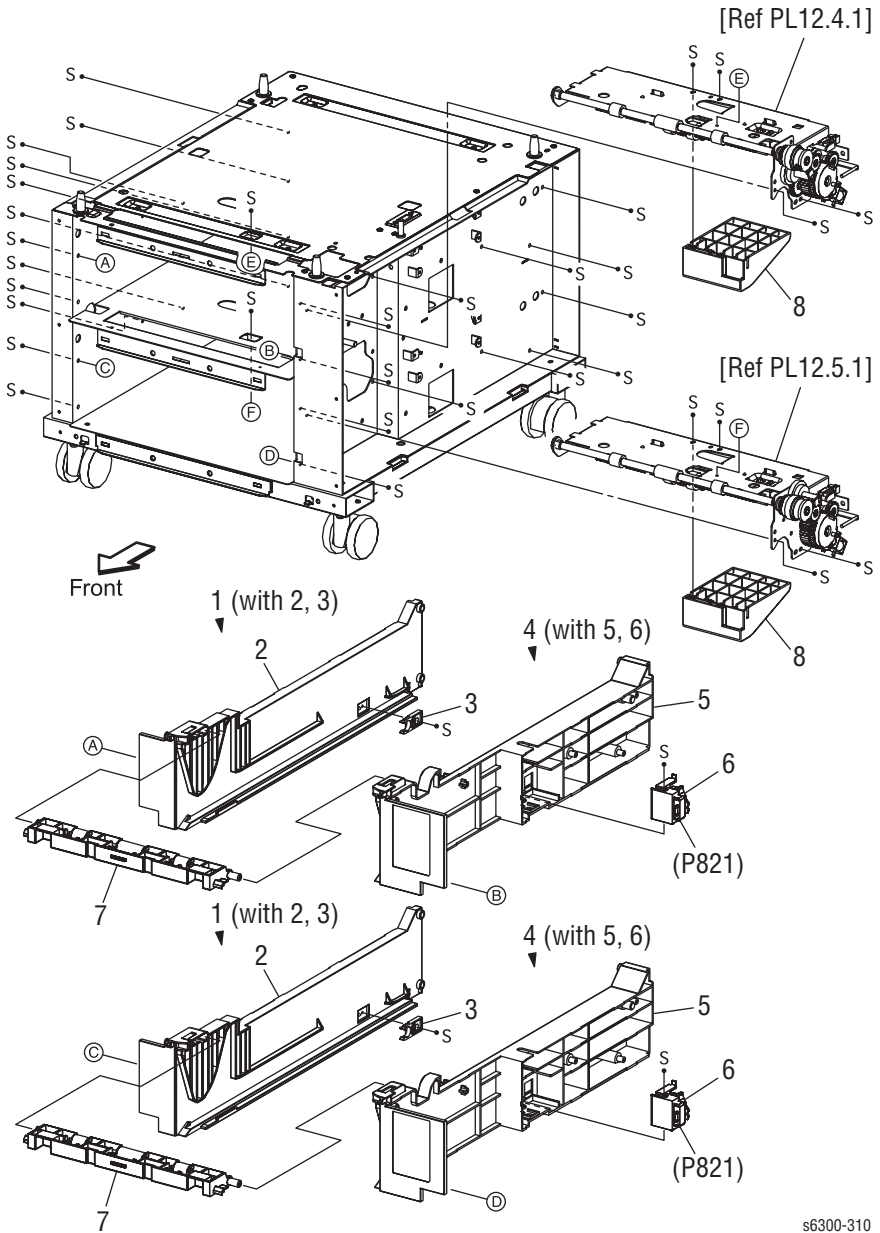
## Parts List 12.1 1100-Sheet Feeder Covers



## Parts List 12.1 1100-Sheet Feeder Covers - Service Parts List

<b>ID No.</b>	<b>Part Number</b>	<b>Name/Description</b>
1.	119-6562-00	1100-Sheet Feeder (with 2~12,PL12.2~PL12.6)
2.	116-2024-00	Cover Left
3.	116-2025-00	Cover Right
4.	116-2054-00	Caster (Non-locking)
5.		- -
6.		Cover Front
7.		Screw Joint
8.	116-2055-00	Caster (Locking)
9.	116-1980-00	Cover, Paper Tray Rear
10.		
11.		Caster Stopper 1
12.		Caster Stopper 2
13.	116-2056-00	Foot Assy A
14.	116-2057-00	Foot Assy B

# Parts List 12.2 Feeders



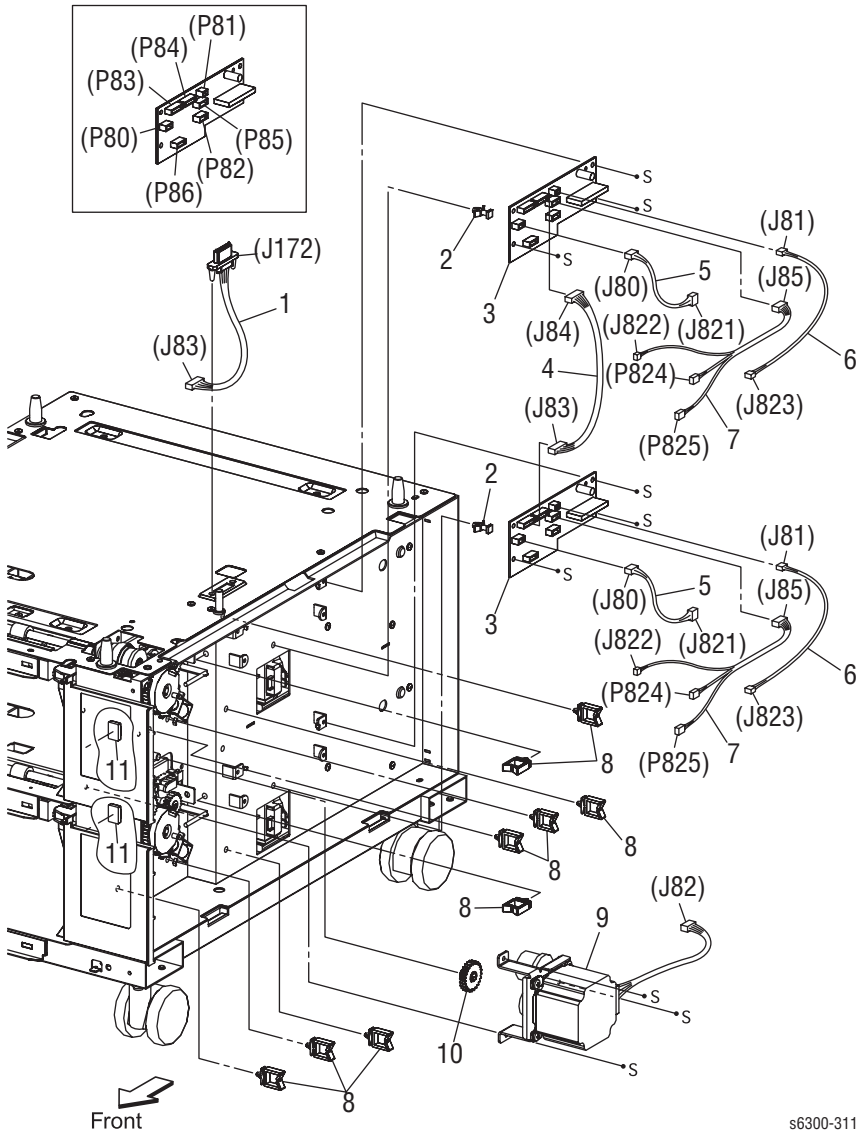
s6300-310



## Parts List 12.2 Feeders - Service Parts List

<b>ID No.</b>	<b>Part Number</b>	<b>Name/Description</b>
1.		Feeder Assy Left (with 2,3)
2.		Guide Cst L
3.	116-1351-00 *	Stopper Paper Tray
4.		Feeder Assy Right (with 5,6)
5.		Guide Cst R
6.	116-1625-00	Paper Size Switch Assy
7.	116-1979-00	Feeder Chute
8.		Guide Paper

# Parts List 12.3 Harness

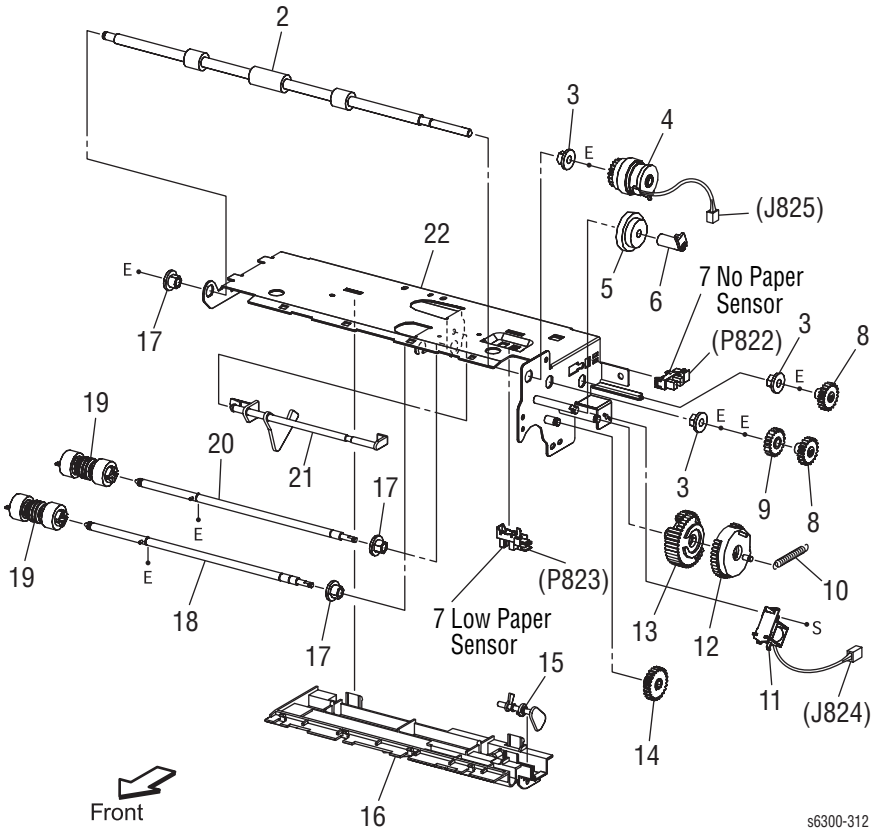


### Parts List 12.3 Harness - Service Parts List

<b>ID No.</b>	<b>Part Number</b>	<b>Name/Description</b>
1.	Part of Wiring Harness Kit	Harness Assy OPFREC2 (J83-J172)
2.		Spacer
3.	116-2027-00	Circuit Board HCF (OPTFDR 2 PWBA)
4.		Harness Assy OPF23 (J83-J84)
5.		Harness Assy SIZE2 (J80-J821)
6.		Harness Assy LOWP2 (J81-J823)
7.		Harness Assy OPFDR2 (J85-J822, P824, P825)
8.		Clamp Saddle
9.	116-2028-00	Drive Assy HCF
10.		Gear 24
11.		Clamp

# Parts List 12.4 Paper Pick Assembly HCF T1

1 (with 2-22)  
 ▼

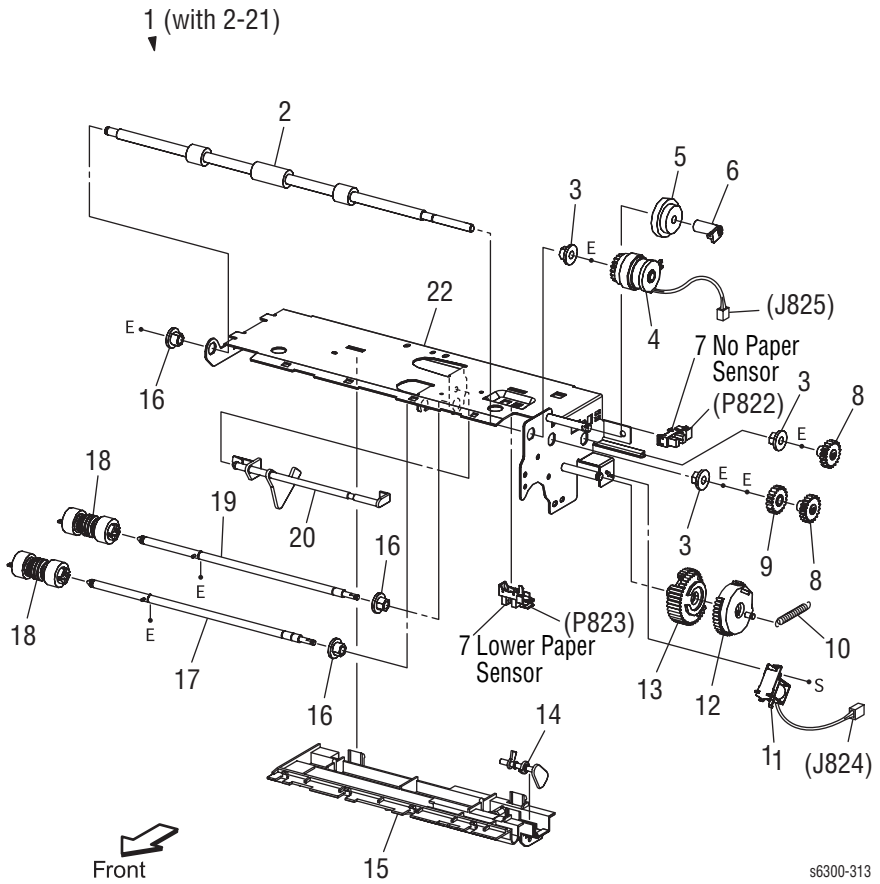


s6300-312

## Parts List 12.4 Paper Pick Assembly HCF T1 - Service Parts List

ID No.	Part Number	Name/Description
1.	116-2029-00	Paper Pick (Pickup Assy) Assembly HCF T1 (with 2~22)
2.		Roll Assy Turn
3.		Bearing (F6xL8)/Metal
4.		Clutch Assy
5.		Gear Idle 21/29
6.		Stopper Clutch
7.	116-1354-00 *	Sensor Photo (No Paper, Low Paper Sensor)
8.		Gear Feed2
9.		Gear Idler Feed
10.	Part of Spring Kit	Spring Feed H
11.		Solenoid Feed
12.		Gear Feed H2
13.		Gear Feed H1
14.		Gear 24
15.	Part of Actuator Kit	Actuator Low Paper
16.		Chute Upper
17.		Bearing (F6xL8)/Black
18.		Shaft Assy Feed
19.	Part of Paper Feed Roller Kit	Roll Assy Nudger x 2
20.		Shaft Assy Nudger
21.	Part of Actuator Kit	Actuator No Paper
22.		Frame Assy Pickup

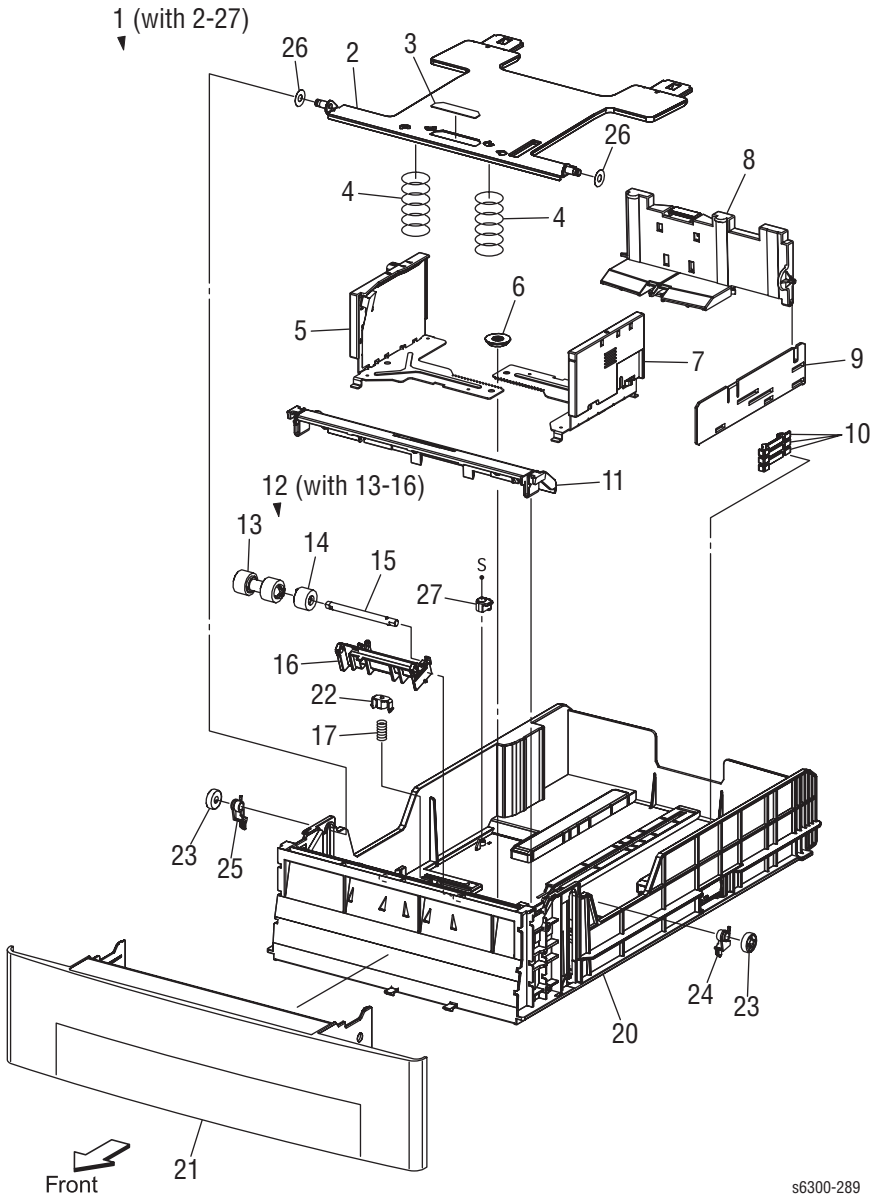
# Parts List 12.5 Paper Pick Assembly HCF T2



## Parts List 12.5 Paper Pick Assembly HCF T2 - Service Parts List

<b>ID No.</b>	<b>Part Number</b>	<b>Name/Description</b>
1.	116-2030-00	Paper Pick (Pickup Assy) Assembly HCF T2 (with 2~21)
2.		Roll Assy Turn
3.		Bearing (F6xL8)/Metal
4.		Clutch Assy
5.		Gear Idle 21/29
6.		Stopper Clutch
7.	116-1354-00 *	Sensor Photo (No Paper, Low Paper Sensor)
8.		Gear Feed2
9.		Gear Idler Feed
10.		Spring Feed H
11.		Solenoid Feed
12.		Gear Feed H2
13.		Gear Feed H1
14.	Part of Actuator Kit	Actuator Low Paper
15.		Chute Upper
16.		Bearing (F6xL8)/Black
17.		Shaft Assy Feed
18.	Part of Paper Feed Roller Kit	Roll Assy Nudger x 2
19.		Shaft Assy Nudger
20.	Part of Actuator Kit	Actuator No Paper
21.		Frame Assy Pickup 4th

# Parts List 12.6 Universal Paper Tray



s6300-289



## Parts List 12.6 Universal Paper Tray - Service Parts List

ID No.	Part Number	Name/Description
1.	116-1976-00	Universal Paper Tray (with 2~26)
2.		Plate Assy Btm
3.		Pad Bottom
4.		Spring N/F
5.		Guide Assy Side L
6.		Gear Manual
7.		Guide Assy Side R
8.		Guide Assy End
9.		Actuator Guide End
10.		Actuator Size
11.	116-1977-00	Chute Turn
12.	Part of Paper Feed Roller Kit	Universal Retard Roller Assy (with 13~16)
13.		Roll Assy Retard
14.		Clutch Assy Friction
15.		Shaft Assy Retard
16.		Holder Retard
17.		Spring Retard
18.		--
19.		--
20.		Housing Cst 500
21.		Handle Cst
22.		Holder Spring Retard
23.		Roll PB
24.		Stopper Link PB R
25.		Stopper Link PB L
26.		Spacer Plate Btm
27.		Stopper Block

# Xerox Supplies and Accessories

## Repair Kits, World Kits and Repacking Kits

Description	Part Number
Kit, Spring	116-2031-00
Kit, Sensor Actuator	116-2032-00
Kit, Tray Holder	116-2033-00
Kit, Assorted Hardware (screws, E-rings)	116-2034-00
Kit, Paper Feed Roller	116-2035-00
Kit, Chute Assy Gear	116-2039-00
Kit, Harness	116-2040-00
World Kit	061-4511-00
Long-Life Maintenance Kit	650-4363-00
Main Shipping Box, Phaser 6300/6350	004-5506-00
Repackaging Kit, Phaser 6300/6350	065-0637-00
Repackaging Kit, High-Capacity Feeder, Phaser 6300/6350	065-0638-00
Repackaging Kit, 550-Sheet Feeder, Phaser 6300/6350	065-0639-00
Developer Assembly Shipping Restraint	116-2043-00

## Phaser 6300/6350 Maintenance Items

Description	Part Number
Imaging Unit	108R00645
Fuser, Phaser 6300/6350	
110 V	115R00035
220 V	115R00036
Transfer Roller	108R00646
Universal Paper Tray (2, 3, 4, 5)	116-1976-00
Paper Feed Roller Kit	116-2035-00
Long-Life Maintenance Kit	650-4363-00

## Power Cords

Description	Part Number
Cable PWR, 115 V, 98, 0L	161-0312-00
Cable PWR EURO 220V , 99L	161-0066-09
Cable PWR U.K. 240 V, 96L	161-0066-10
Cable PWR AUST 240 V, 96L	161-0066-11
Cable Assy SWISS 220/240 V, 50 Hz	161-0154-00
Cable Assy PWR. DANISH, 250 V	161-0240-00
Cable Assy PWR, PRC	161-0304-00
Power, 240 V, ARGENTINA	161-0307-00

## Upgrade Kits and Options

Description	Part Number
Internal Hard Drive	650-4364-00
Memory:	
256 MB, 16M x 64, PC133; Memory DIMM	856-0003-00
512 MB, 32M x 64, PC133; Memory DIMM	856-0004-00
1100-Sheet Feeder w/ Trays	119-6562-00
1100- Sheet Feeder Casters Non-Locking	116-2054-00
1100- Sheet Feeder Casters Locking	116-2055-00
550-Sheet Feeder w/ Tray	119-6561-00
Optional Feeder Label Kit (3, 4, and 5)	116-2066-00
Printer Feet	116-1344-00
Configuration Card, N configuration - Phaser 6300 Only	163-1521-00
Configuration Card, DN configuration - Phaser 6300 Only	163-1525-00
Configuration Card, DP configuration - Phaser 6350 Only	163-1522-00
I/P Board NVRAM	163-1459-00*

## Toner Cartridge Consumables

Description (capacity)	Part Number
Yellow Toner Cartridge, Standard-Capacity 6300/6350 (4K)	106R01075
Yellow Toner Cartridge, High-Capacity 6300 (7K)	106R01084
Yellow Toner Cartridge, High-Capacity 6350 (10K)	106R01146
Yellow Toner Cartridge, Metered 6300/6350 (10K)	106R01088
Magenta Toner Cartridge, Standard Capacity 6300/6350 (4K)	106R01074
Magenta Toner Cartridge, High-Capacity 6300 (7K)	106R01083
Magenta Toner Cartridge, High-Capacity 6350 (10K)	106R01145
Magenta Toner Cartridge, Metered 6300/6350 (10K)	106R01087
Cyan Toner Cartridge, Standard-Capacity 6300/6350 (4K)	106R01073
Cyan Toner Cartridge, High-Capacity 6300 (7K)	106R01082
Cyan Toner Cartridge, High-Capacity 6350 (10K)	106R01144
Cyan Toner Cartridge, Metered 6300/6350 (10K)	106R01086
Black Toner Cartridge, Standard-Capacity 6300/6350 (4K)	106R01076*
Black Toner Cartridge, High-Capacity 6300 (7K)	106R01085
Black Toner Cartridge, High-Capacity 6350 (10K)	106R01147
Black Toner Cartridge, Metered 6300/6350 (10K)	106R01089

### Note

Toner Cartridges installed at the time of manufacture contain sufficient additional toner to prime the Auger Tubes without reducing the 4K life expectancy.

## Service Kits

Service kits are developed to provide an easy means to obtain spare parts normally associated with larger assemblies. A number of Service Kits have been developed for the Phaser 6300/6350. The following tables list each kit's contents.

### Feed Roller Kit

The Feed Roller Kit provides replacement rollers for the Paper Pick Assemblies and a universal Retard Roller Assembly.

#### Feed Roller Kit Contents - 116-2035-00

Part Reference	Name/Description	Quantity
PL2.1.12	Universal Retard Roller Assembly	1
PL3.3.18	Feed Rollers	2
071-0942-00	Installation Instructions	1

# Spring Kit

## Spring Kit Contents - 116-2031-00

<b>Part Reference</b>	<b>Name/Description</b>	<b>Quantity</b>
PL3.3.10	Feed Spring H	2
PL4.1.2	Registration Roller Spring	1
PL5.1.6	Link Spring	1
PL5.2.3	Fuser Lock Lever Spring	1
PL5.2.7	Diode Spring F	1
PL5.2.12	Latch Spring	1
PL5.2.18	CTD (ADC) Sensor Spring	1
PL5.2.22	DTC Bias Spring	1
PL5.3.4	IDT1-1 Bias Spring	1
PL5.3.8	MPT Feed Spring	1
PL5.3.11	MPT N/F Spring	1
PL5.3.33	Earth Out2 Spring	1
PL5.3.34	MPT No Paper Sensor Actuator Spring	1
PL5.4.3	Exit Pinch Roller Springs	2
PL5.4.14	Duplex Jam Sensor Actuator Spring	1
PL6.1.4	Stopper Lever Release Spring	1

# Sensor Acuator Kit

The Sensor Actuator Kit provides replacement actuators for the key paper path sensors. Replacement springs for most of these actuators are included in the Kit.

## Sensor Actuator Kit Contents - 116-2032-00

Part Reference	Name/Description	Quantity
PL3.3.14	Low Paper Sensor Actuator	2
PL3.3.20	No Paper Sensor Actuator	2
PL4.1.1	Registration Sensor Actuator	1
PL5.1.2	Fuser Exit Sensor Actuator	1
PL5.3.15	Tray 1 (MPT) No Paper Sensor Actuator	1
PL5.4.2	Full Stack Sensor Actuator	1
PL5.4.13	Duplex Jam Sensor Actuator	1

# Long-Life Maintenance Kit

Install the Long-Life Maintenance Kit when the printer displays the Replace Maintenance Kit error message.

## Long-Life Maintenance Kit Contents - 650-4363-00

Part Reference	Part Number	Name/Description	Quantity
PL2.1.12	116-2035-00	Universal Tray Retard Roller Assembly	1
PL4.1.13	116-1985-00	Tray 1 (MPT) Retard Roller Assembly	1
PL4.2.1	116-1987-00	Registration Roller Assembly	1
PL5.3.20	116-1997-00	Tray 1 (MPT) Feed Roller	1
PL7.1.17	116-2008-00	Developer Assembly - Y	1
PL7.1.18	116-2009-00	Developer Assembly - M	1
PL7.1.19	116-2010-00	Developer Assembly - C	1
PL7.1.20	116-2011-00	Developer Assembly - K	1

# Hardware Kit

## Hardware Kit Contents - 116-2034-00

<b>Part Number</b>	<b>Name/Description</b>	<b>Quantity</b>
112W27678	Screw Deltite S	4
112W27698	SEMS Machine Screw	2
158W35878	Screw DEL TP	2
153W17888	Screw Tap WP	2
153W27878	Screw-Tap BIND	4
153W28078	Screw-Tap BIND	8
826E10100	Screw Set	2
826E12480	Screw M3X6B	6
826E12570	Screw-DT FL4X10J	2
826E12580	Screw Round Tip	2
354W21278	E-ring	2
354W24251	E-ring	2
354W24254	KL-ring	2
354W27278	E-ring	4

# Harness Kit

## Harness Kit Contents - 116-2040-00

Part Reference	Name/Description	Quantity
PL3.2.11	Harness Assy OPFPLG (J17-P171)	1
PL3.3.22	Harness Assy FDR (J47-J471,J472,J473,P474)	1
PL4.1.21	Harness Assy FRONTCLH (J19-J191,J192)	1
PL5.2.28	Harness Assy FSR/ADC (J36-J136,J162,J361)	1
PL5.2.30	Harness Assy TNRFULL/FSR (J52-J142,J521)	1
PL5.3.28	Harness Assy FRONT/DUP (J13-P132, J133, J134, J135, P501)	1
PL7.2.18	Harness Assy TNR (J51-J342, P511, P512, P513, P514, J701,J702,J703,J704)	1
PL10.1.1	Harness Assy 24V (J60-J163)	1
PL10.1.2	Harness Assy LV (J61-J165)	1
PL10.1.3	Harness Assy LV RPG (J164-J311)	1
PL10.1.4	Harness Assy TMP (J24-J231)	1
PL10.1.5	Harness Assy HVPS (J16-J141)	1
PL10.1.6	Wire Assy BTR (J138-J139)	1
PL10.1.7	Wire Assy Regi (J137-J140)	1
PL10.1.8	Harness Assy EEPROM (J191-J1911)	1
PL10.1.9	Harness Assy FAN/PHD/MOT (J48-J481, J482, J484, J491)	1
PL11.1.6	Harness Assy OPFREC (J83-P171)	1
PL12.3.1	Harness Assy OPFREC2 (J83-J172)	1