

FRU Parts List

Parts List Contents

Print Engine

	Page
PL 1.1 Covers	256
PL 2.1 Universal Paper Tray	258
PL 3.1 Paper Feed I	260
PL 3.2 Paper Feed II	262
PL 3.3 Paper Feed III	264
PL 4.1 Housing Assembly Retard	266
PL 5.1 Chute Assembly In	268
PL 6.1 Chute Assembly Out	270
PL 7.1 Chute Assembly Exit	272
PL 8.1 Transfer Roller & Fuser Assembly (CRCs)	274
PL 9.1 Xerographics	276
PL 10.1 Holder Toner Cartridge Assembly	278
PL 11.1 Frame and Drive Assemblies	280
PL 12.1 Electrical	282
PL 13.1 Harness Assemblies	284

Optional High-Capacity Feeder

PL 14.1 High-Capacity Feeder Paper Trays 2 & 3	286
PL 14.2 High-Capacity Feeder Covers	288
PL 14.3 High-Capacity Feeder Guides and Turn Chute Assembly	290
PL 14.4 Paper Pick Assembly Trays 2 & 3	292
PL 14.5 High-Capacity Feeder Harness, Board and Motor	294

Supplies and Accessories

PL 15.1 Xerox Supplies and Accessories	296
--	-----

Changes to Xerox products are made to accommodate improved components as they become available. It is important when ordering parts to include the following information:

- Component's part number
- Product type or model number
- Serial number of the printer

Serial numbering. Particular fields in the serial number indicate the modification level of the printer, the date of its manufacture and the sequence number of the printer produced on that day. The serial number is coded as follows:

- The text “S/N” followed by the serial number in the barcode.
- The barcode **does not** include a field identifier.
- The nine digit serial number is based on the following format:

PPPRSSSSS

PPP = Three digit alphanumeric product code

Product	Model	Voltage	Product Code
6200	N	110V	LPH
6200	DP	110V	LPH
6200V	N	220V	LPK
6200V	DP	220V	LPK

R - Single digit numeric revision digit. To be rolled when a major product change occurs. Initiated with a change request.

SSSSS - Five digit numeric serial number.

Serial Number Example:

LPH453072:

LPH = Product code for the 110V Printer

4 = Revision level

53072 = Serial number

Using the Parts List

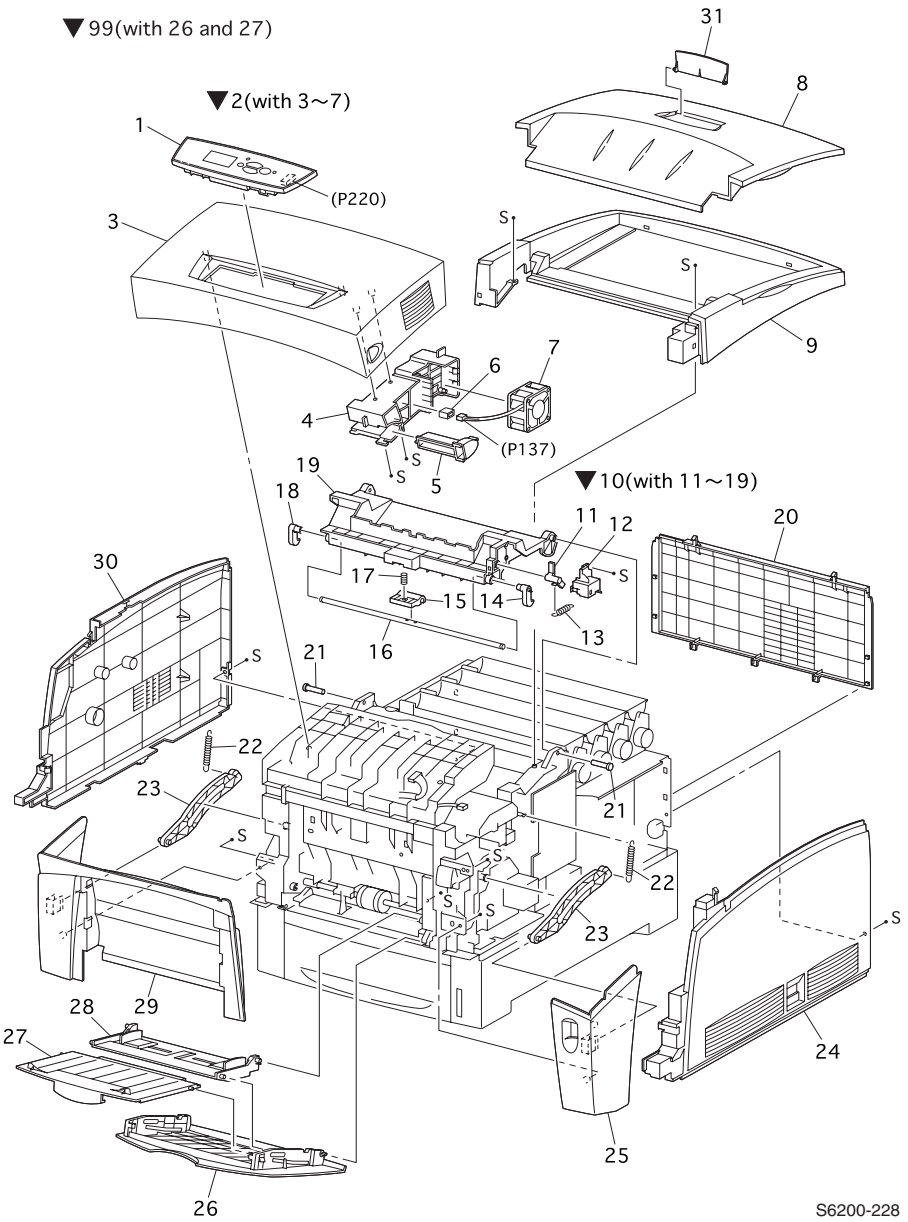
1. **No.** = The callout number from the exploded part diagram.
2. **Part Number** = The material part number used to order specific parts.
3. **Qty** = This number represents the parts per printer, not the number of parts supplied in the actual part order.
4. **Name/Description** = Details the name of the part to be ordered and the number of parts supplied per order.
5. Parts identified throughout this manual are referenced **PL#.#.#**; For example, PL3.1.10 means the part is item 10 of Parts List 3.1.
6. A black triangle preceding a number followed by a parenthetical statement in an illustrated parts list means the item is a parent assembly, made up of the individual parts called out in parentheses.
7. The notation “**with X~Y**” following a part name indicates an assembly that is made up of components X through Y. For example, “1 (with 2~4)” means part 1 consists of part 2, part 3, and part 4.
8. An asterisk (*) following a part name indicates the page contains a note about this part.
9. The notation (NS) next to a part indicates that particular part is not spared, but contained in a kit or major assembly.
10. The notation “**J1<>J2 and P2**” is attached to a wire harness. It indicates that connector Jack 1 is attached to one end of the wire harness and connector J2 is attached to the other end that is plugged into P2.

Note: Only parts showing part numbers are available for support. Parts not showing part numbers are available on the parent assembly.

Legend:

Identifier	Meaning
C	C-ring
E	E-ring
KL	K-clip
S	Screw

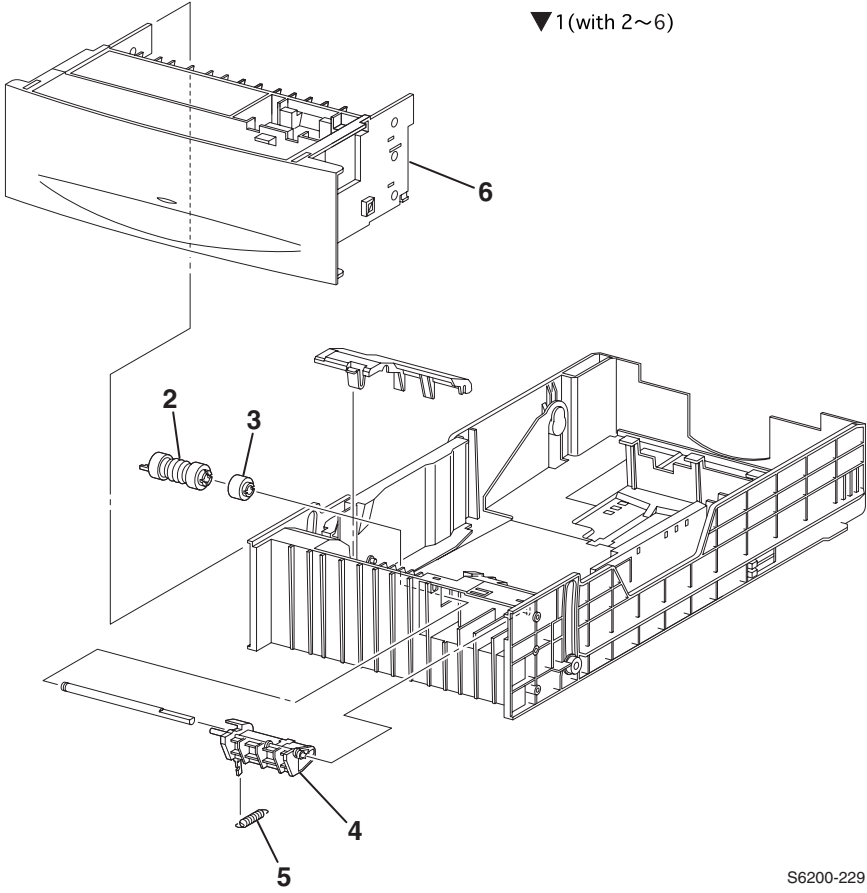
PL 1.1 Covers



PL 1.1 - Covers - FRU Parts List Table

No.	Part Number	Qty	Name/Description
1	333-4382-00	1	Control Panel (Front Panel Display)
2	116-0003-00	1	Cover Assembly, Front (with 3-7)
3		1	Cover, Front (NS, part of PL 1.1.2)
4		1	Holder, Lever Out (NS)
5		1	Lever Out (NS)
6		1	Con. Amp 175694-3 (NS)
7	116-0004-00	1	Fan, Fuser
8	116-0005-00	1	Cover Assembly, Top
9	116-0006-00	1	Cover, Top Main
10	116-0007-00	1	Cover Assembly, Top Image Unit (with11-19) (Door C)
11		1	CAM I/R (NS)
12		1	Cover, CAM (NS)
13	116-0010-00	1	Spring, CAM I/R
14	116-0011-00	1	Latch, Top Right
15		1	Handle, Top (NS)
16		1	Shaft Latch, Top (NS)
17		1	Spring, Handle (NS)
18	116-0014-00	1	Latch, Top Left
20	116-0016-00	1	Cover, Rear
21	116-0492-00	2	Stud, Top (1 per order)
22	116-0586-00	2	Spring, Link (1 per order)
23	116-0963-00	2	Link (1 per order)
24	116-0974-00	1	Cover, Side, Right
25	116-1322-00	1	Cover Assembly, Front Right
26		1	Cover, Multi-Purpose Tray (NS, part of Multi-Purpose Tray 99)
27		1	Multi-Purpose Tray Slide (NS, part of Multi-Purpose Tray 99)
28	116-1325-00	1	Assembly, MPT ,Base
29	116-1326-00	1	Cover Assembly, Front Left
30	116-1327-00	1	Cover, Side, Left
31		1	Cover, Top Stopper (NS)
99	116-1329-00	1	Tray, MPT(with 26 and 27)

PL 2.1 Universal Paper Tray

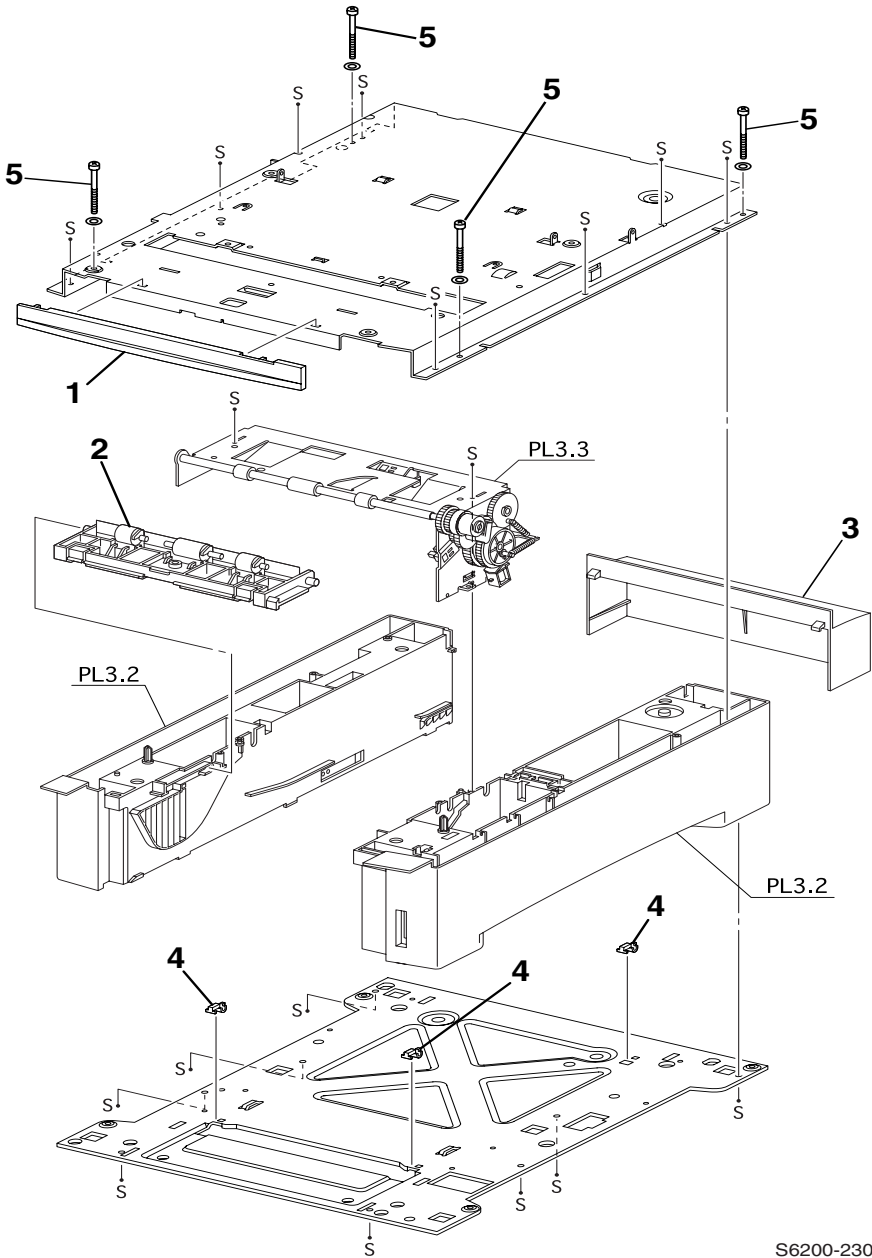


S6200-229

PL 2.1 Tray, Universal Paper - FRU Parts List Table

ID No.	Part Number	Qty	Name/Description
1	116-1330-00	1	Universal Paper Tray (with 2~6)
2	116-1331-00	2	Paper Feed Roller Kit* *(2 interchangeable rollers per order)
3	116-1332-00	1	Assembly, Friction Clutch
4		1	Holder, Retard (NS)
5	116-1334-00	1	Spring, Retard
6		1	Cover, Front Tray (NS)

PL 3.1 Paper Feed I

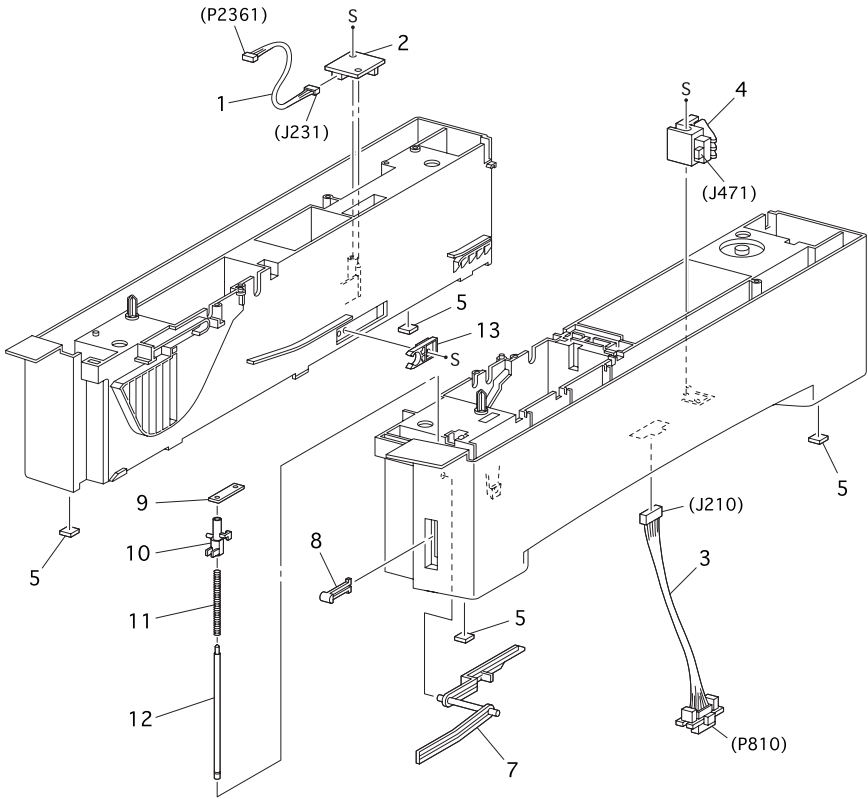


S6200-230

PL 3.1 Paper Feed - FRU Parts List Table

ID No.	Part Number	Qty	Name/Description
1	116-1335-00	1	Cover, Feeder, Front
2	116-1336-00	1	Assembly, Turn Chute
3	116-1337-00	1	Cover, Paper Tray, Rear
4	116-1338-00	3	Block (1 per order)
5	212-0237-00	4	Long Screw (M3 x 85) Kit (2 per order)

PL 3.2 Paper Feed II



S6200-231

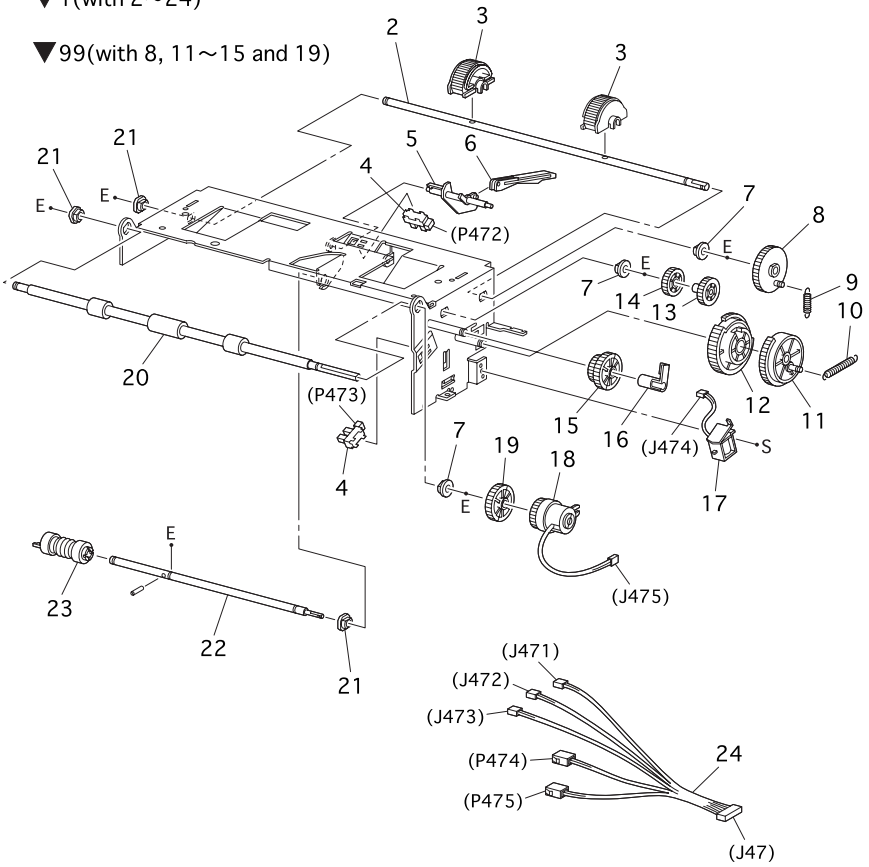
PL 3.2 Paper Feed II - FRU Parts List Table

ID No.	Part Number	Qty	Name/Description
1	116-1340-00	1	Assembly, Harness, Temperature/Humidity (J231~J2361)
2	116-1341-00	1	Sensor, Temperature/Humidity
3	116-1342-00	1	Assembly, Harness, LTA (HCF) (J210~P810)
4	116-1343-00	1	Assembly, Paper Size Switch
5	116-1344-00	4	Printer Feet (4 per order)
7	116-1345-00	1	Lever, Low Paper
8	116-1346-00	1	Indicator, Paper Level
9	116-1347-00	1	Indicator, Holder, Shaft
10	116-1348-00	1	Indicator, Guide
11	116-1349-00	1	Indicator, Spring
12	116-1350-00	1	Indicator, Shaft
13	116-1351-00	1	Paper Tray Stopper

PL 3.3 Paper Feed III

▼1(with 2~24)

▼99(with 8, 11~15 and 19)

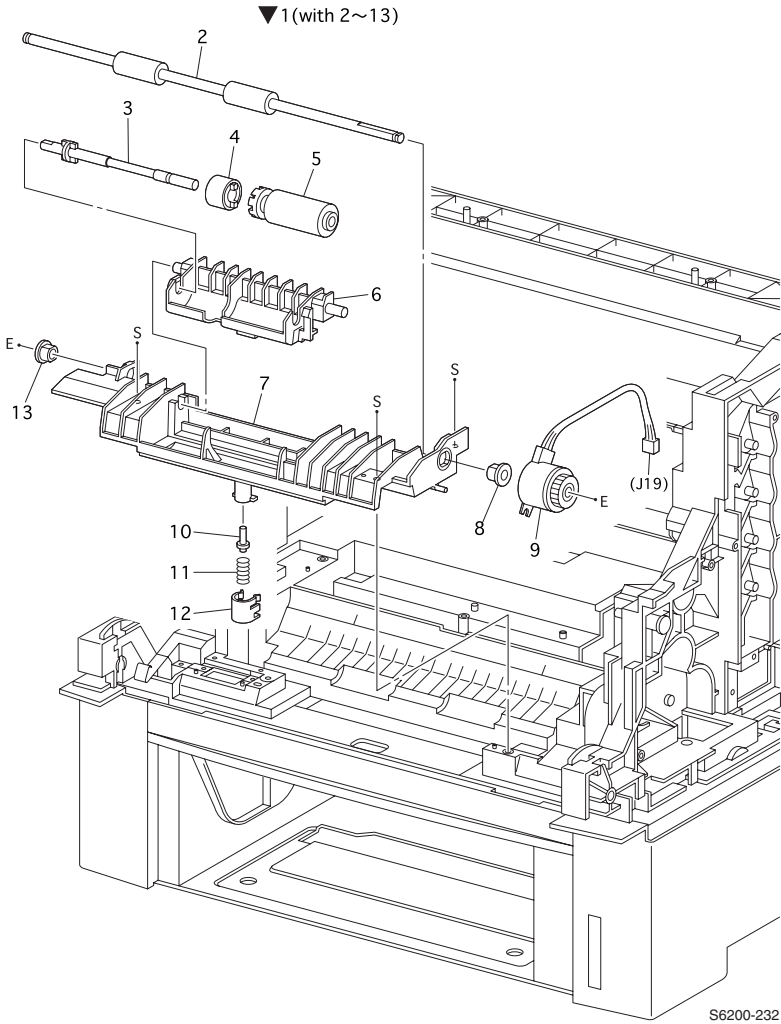


S6200-247

PL 3.3 Paper Feeder III - FRU Parts List Table

ID No.	Part Number	Qty	Name/Description
1	116-1352-00	1	Assembly, Paper Pick (with 2~24)
2		1	Shaft, Feed 1 (NS)
3	116-1353-01	2	Paper Pick Roller Kit (2 per order)
4	116-1354-00	1	Sensor, (No Paper, Low Paper)
5	116-1355-00	1	Actuator, No Paper
6	116-1356-00	1	Actuator, Link
7		3	Bearing - Metal (NS)
8		1	Gear, Feed 1 (NS)
9		1	Spring, Feed 1 (NS)
10		1	Spring, Feed H (NS)
11		1	Gear, Feed H2 (NS part of 99)
12		1	Gear, Feed H1 (NS part of 99)
13		1	Gear, Feed 2 (NS part of 99)
14		1	Gear, Idler Feed (NS part of 99)
15		1	Gear, Idler (NS part of 99)
16		1	Clutch Stopper (NS)
17	116-1361-00	1	Feed Solenoid
18	116-1362-00	1	Assembly, Clutch Turn
19		1	Gear, Idler In (NS part of 99)
20	116-1363-00	1	Assembly, Roll Turn
21		3	Bearing - Black (NS)
22		1	Shaft, Feed 2 (NS)
23	116-1331-00	2	Paper Feed Roller Kit* *(2 interchangeable rollers per order)
24	116-1366-00	1	Assembly, Harness, Feeder (J47-J471/J472/J473/P474/P475)
99	116-1367-00	1	Paper Feed Gear Kit (with 8, 11~15 and 19)

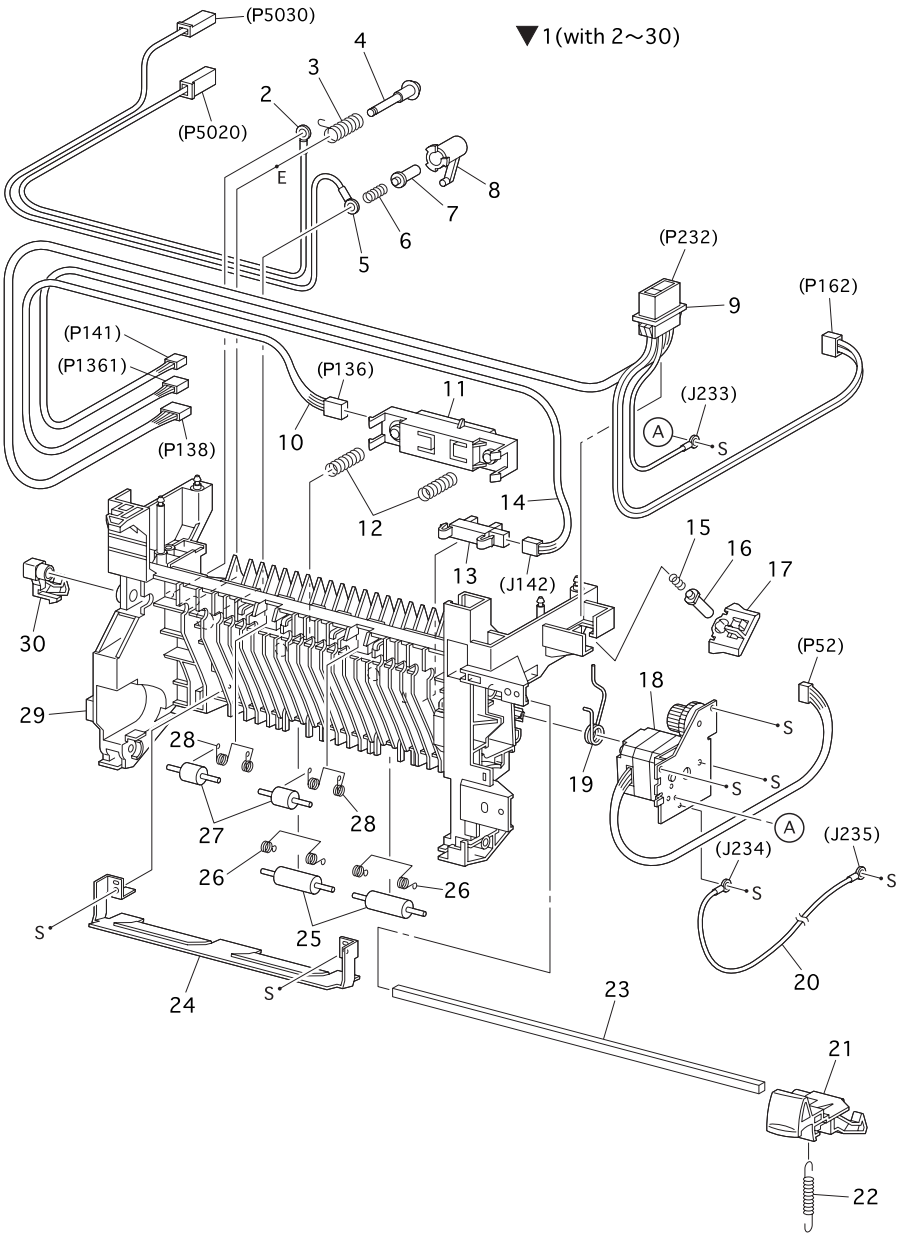
PL 4.1 Housing Assembly Retard



PL 4.1 Assembly, Housing Retard - FRU Parts List Table

ID No.	Part Number	Qty	Name/Description
1	116-1368-00	1	Assembly, Housing Retard (with 2~13)
2		1	Roll, Turn (NS)
3		1	Shaft, Retard (NS)
4	116-1370-00	1	Assembly, Friction Clutch
5	116-1371-00	1	Assembly, RetardRoll
6		1	Holder, Retard (NS)
7		1	Housing, Retard (NS)
8		1	Bearing (NS)
9	116-1374-00	1	Turn Clutch
10		1	Stud, Retard (NS)
11		1	Spring, Retard 370 (NS)
12		1	Cap, Retard (NS)
13		1	Bearing, Ground (NS)

PL 5.1 Chute Assembly In

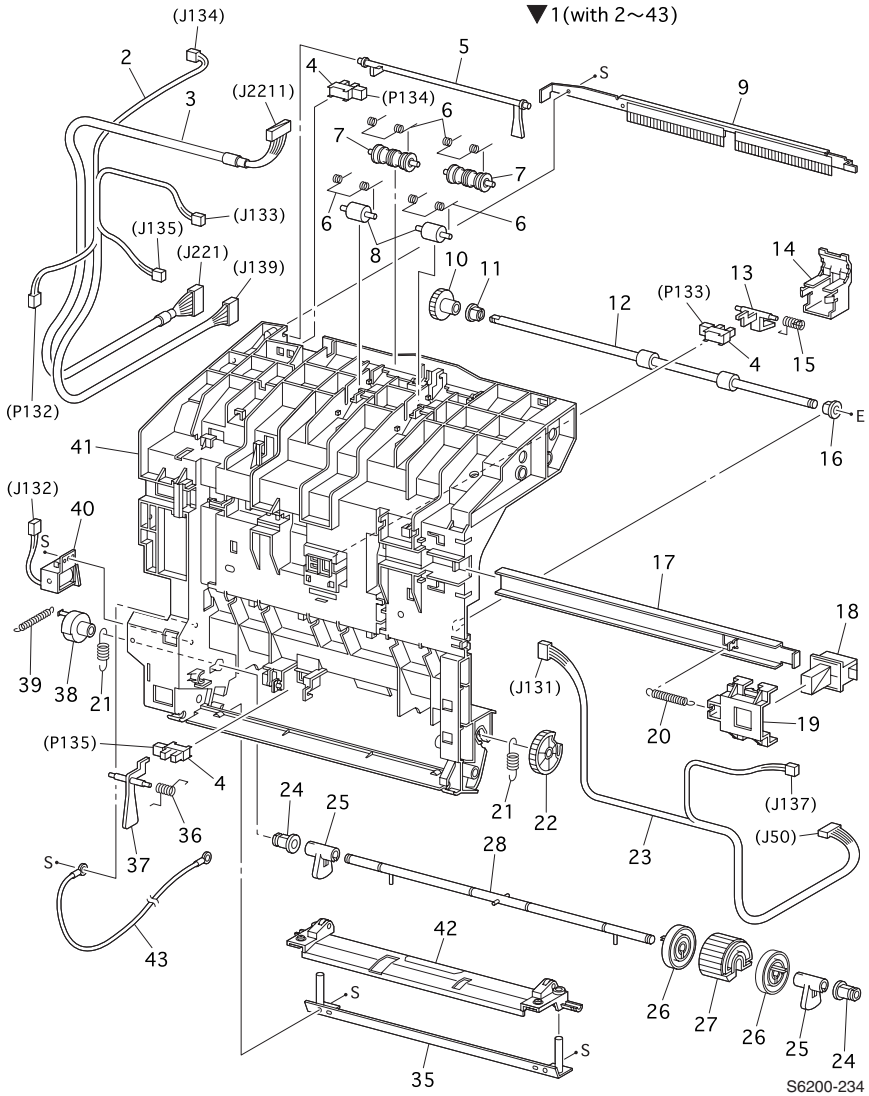


S6200-233

PL 5.1 Chute Assembly, In - FRU Parts List Table

ID No.	Part Number	Qty	Name/Description
1	116-1379-00	1	Chute Assembly, In (with 2~30)
1a	116-1380-00	1	120 V
1b		1	220 V
2	116-1381-00	1	Assembly, Wiring 2nd BTR (J5020)(Transfer Roller)
3	116-1382-00	1	Spring, 2nd BTR
4	116-1383-00	1	Shaft, BTR IN
5	116-1384-00	1	Assembly, Wire Disk (J5030)
6	116-1385-00	1	Spring, DTC
7	116-1386-00	1	Stud, 2nd BTR
8	116-1387-00	1	Spring, Holder BTR
9	116-1388-00	1	Assembly, Harness Fuser 100 V / 120 V (FSR 2)
9a	116-1389-00	1	Assembly, Harness Fuser 220 V (FSR 22)
9b			
10	116-1390-00	1	Assembly, Harness CTD (ADC)
11	116-1391-00	1	Assembly, Sensor CTD (ADC)
12	116-1392-00	1	Spring, ADC
13	116-1393-00	1	Sensor, Toner Full
14	116-1394-00	1	Assembly, Harness Toner Full SNS
15	116-1395-00	1	Spring, IDT
16	116-1396-00	1	Stud, IDT
17	116-1397-00	1	Holder, IDT
18	116-1398-00	1	Assembly, Drive Fuser
19	116-1399-00	1	Spring, BTR
20	116-1400-00	1	Wire Assembly, FSR Earth GRND
21	116-1401-00	1	Right Latch
22	116-1402-00	1	Spring, Latch
23		1	Shaft, Latch (NS)
24	116-1403-00	1	Plate, In T/R
25	116-1404-00	2	Roll, Pinch Turn (1 per order)
26	116-1405-00	2	Spring, Pinch Turn (1 per order)
27	116-1406-00	2	Roll, Pinch Dup (Duplex) (1 per order)
28	116-1407-00	1	Spring, Pinch Dup (Duplex)
29	116-1408-00	1	Chute, In (Duplex)
30	116-1409-00	1	Left Latch

PL 6.1 Chute Assembly Out



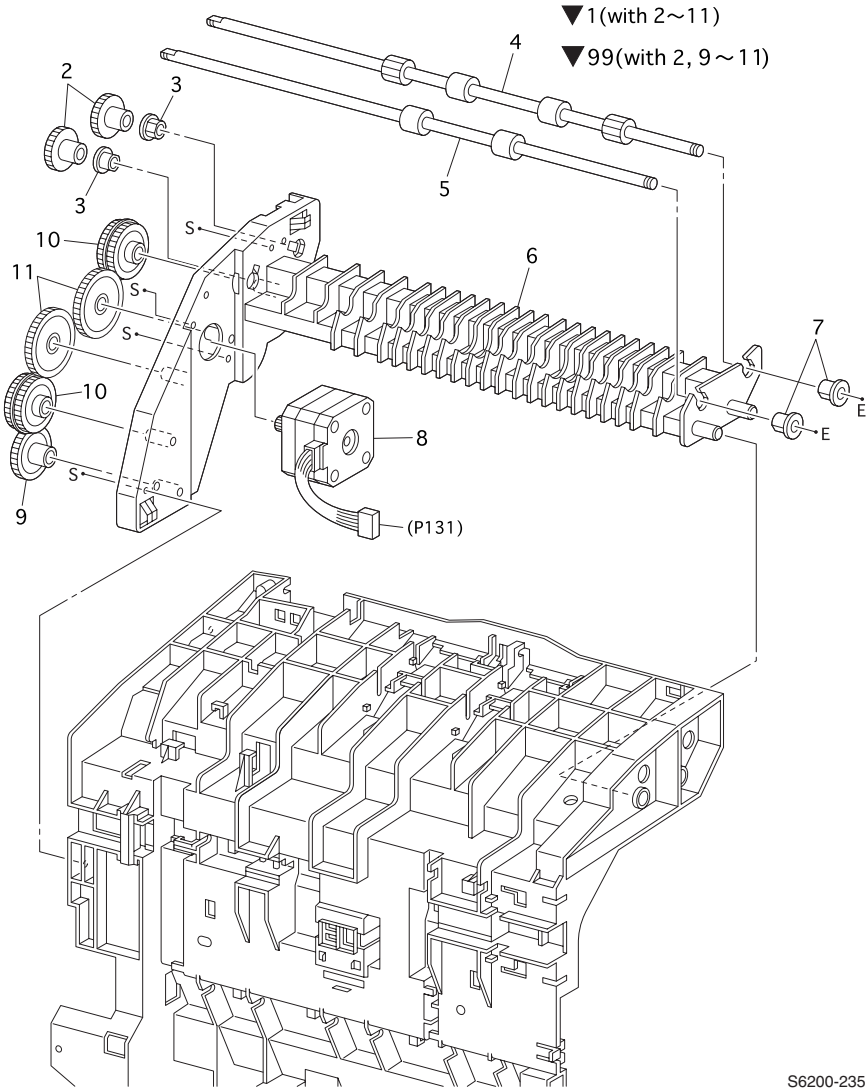
PL 6.1 Chute Assembly, Out - FRU Parts List Table

ID No	Part Number	Qty	Name/Description
1	116-1410-00	1	Assembly, Chute Out (with 2~43)
2	116-1411-00	1	Assembly, Harness, Front 2

PL 6.1 Chute Assembly, Out - FRU Parts List Table

ID No	Part Number	Qty	Name/Description
3	116-1412-00	1	Assembly, Harness, Front Panel
4	116-1413-00	3	Sensor, (Full Stack, Paper Present) (1 per order)
5	116-1414-00	1	Actuator, Output Tray Full (Full Stack)
6	116-1415-00	4	Spring, Pinch Exit (1 per order)
7	116-1416-00	2	Roll, Pinch Exit (1 per order)
8	116-1417-00	2	Roll, Pinch (1 per order)
9	116-1418-00	1	Eliminator Assembly
10	116-1419-00	1	Gear 30
11		1	Bearing Ground (NS)
12	116-1420-00	1	Roll, Dup (Duplex)
13	116-1421-00	1	Actuator, Duplex
14	116-1422-00	1	Actuator, Cover
15	116-1423-00	1	Spring, Sensor Dup (Duplex)
16		1	Bearing (NS)
17		1	Latch, Plate (NS)
18		1	Latch, Out (NS)
19		1	Latch, Holder (NS)
20	116-1425-00	1	Latch, Spring Out
21	116-1426-00	2	Spring, N/F MPT 250GF (1 per order)
22	116-1427-00	1	Gear, MPT
23	116-1428-00	1	Assembly, Harness Duplex
24		2	Bearing, MPT (NS)
25	116-1430-00	2	CAM, MPT (1 per order)
26	116-1431-00	2	Core, Roll, MPT (1 per order)
27	116-1432-00	1	Assembly, Feed Roll
28		1	Shaft MPT (NS)
35	116-1433-00	1	Plate, Out MPT
36	116-1434-00	1	Sensor, Spring MPT
37	116-1435-00	1	Actuator, MPT
38	116-1436-00	1	Solenoid Stopper
39	116-1437-00	1	Solenoid, Spring
40	116-1438-00	1	Feed Solenoid, MPT
41		1	Chute, Out (NS)
42	116-1439-00	1	Assembly, Bottom Plate, MPT
43	116-1440-00	1	Assembly, Wire, Earth GRND

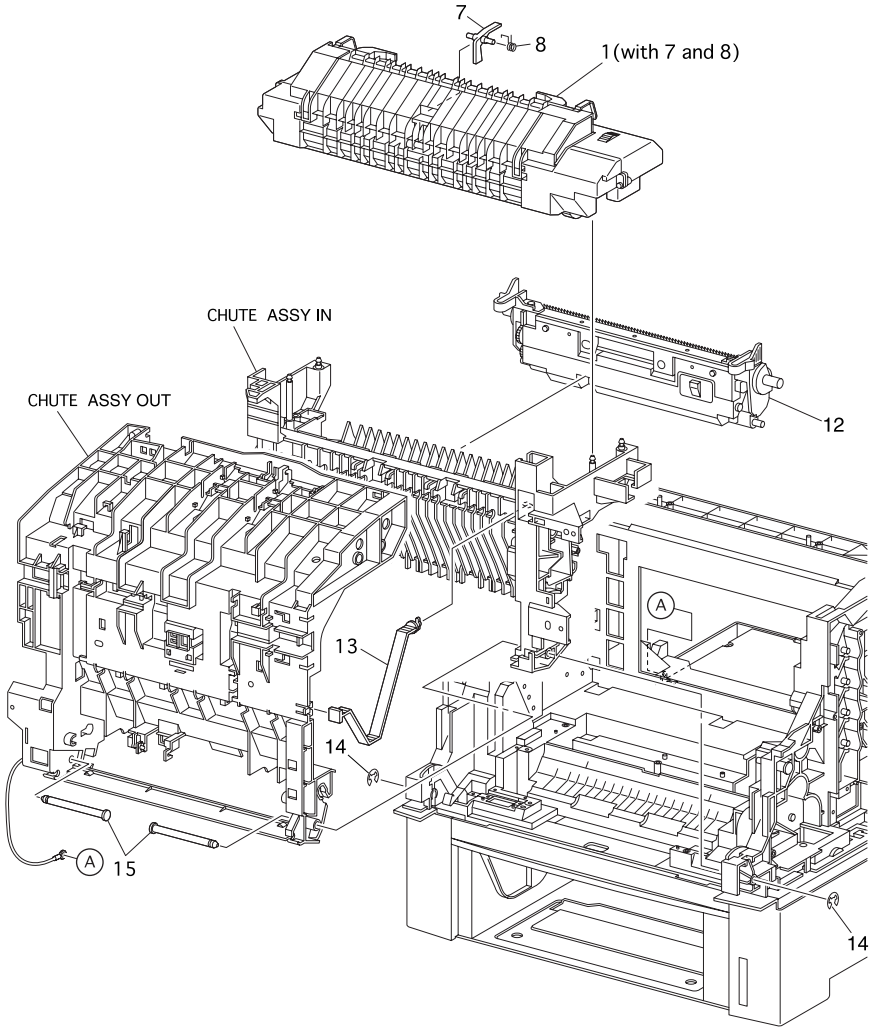
PL 7.1 Chute Assembly Exit



PL 7.1 Chute Assembly, Exit - FRU Parts List Table

ID No.	Part Number	Qty	Name/Description
1	116-1441-00	1	Chute Assembly, Exit (with 2~11)
2		2	Gear Roll (NS, part of PL 7.1.99)
3		2	Bearing Earth (NS)
4	116-1442-00	1	Roll, Exit
5	116-1443-00	1	Roll, Mid
6	116-1444-00	1	Chute, Exit Lower
7		2	Bearing (NS)
8	116-1445-00	1	Assembly, Duplex Motor
9		1	Gear, 42 (NS, part of PL 7.1.99)
10		2	Gear, 40/42 (NS, part of PL 7.1.99)
11		2	Gear, 48 (NS, part of PL 7.1.99)
99	116-1446-00	1	Chute Assembly, Exit Gear Kit (with 2,9~11)

PL 8.1 Transfer Roller & Fuser Assembly (CRCs)

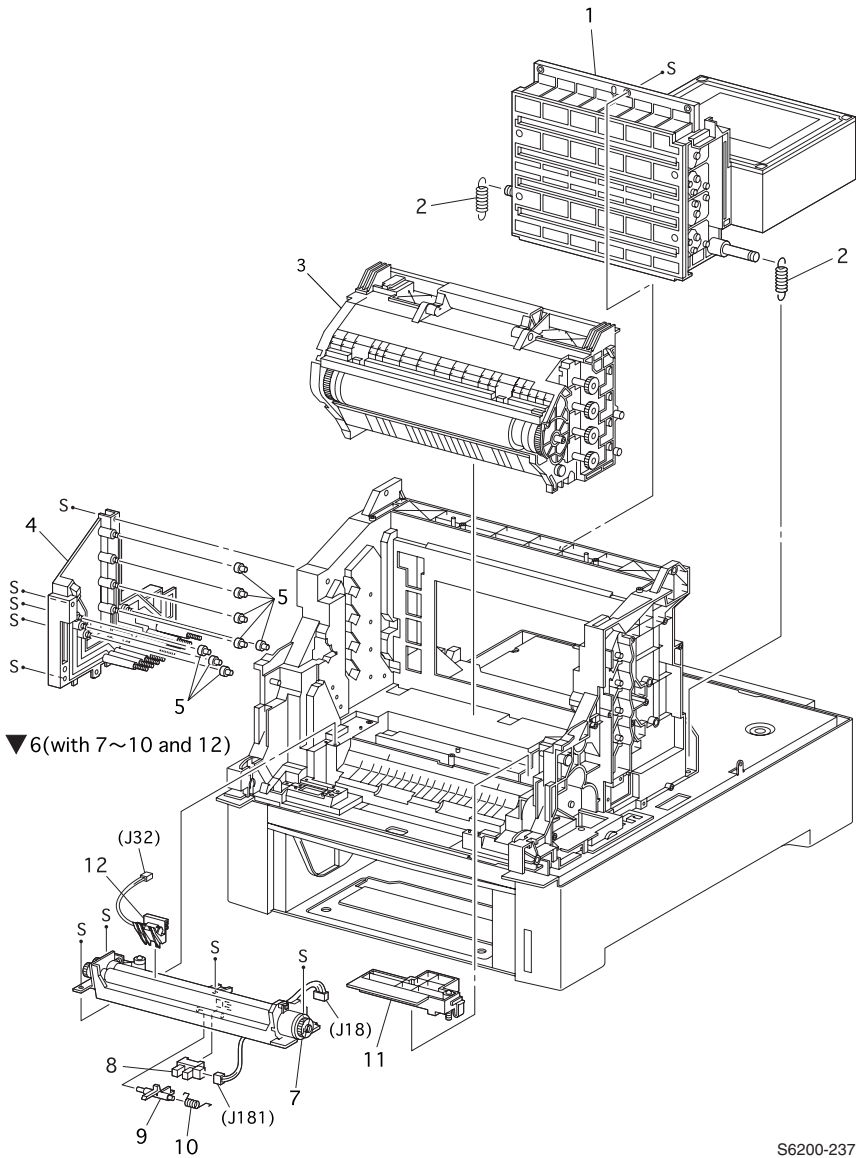


S6200-236

PL 8.1 Transfer Roller and Fuser - FRU Parts List Table

ID No.	Part Number	Qty	Name/Description
1	016-2014-00	1	110 V Fuser, Phaser 6200 (with 7 and 8)
1a 1b	016-2015-00	1	220 V Fuser, Phaser 6200 (with 7 and 8)
7	116-1447-00	1	Actuator, Exit
8	116-1448-00	1	Actuator, Spring
12	016-2013-00	1	Transfer Roller, (BTR)
13	116-1449-00	1	Strap
14	116-1528-00	2	E-Ring (part of E-Ring Kit)
15	116-1450-00	2	Shaft, Pivot (1 per order)

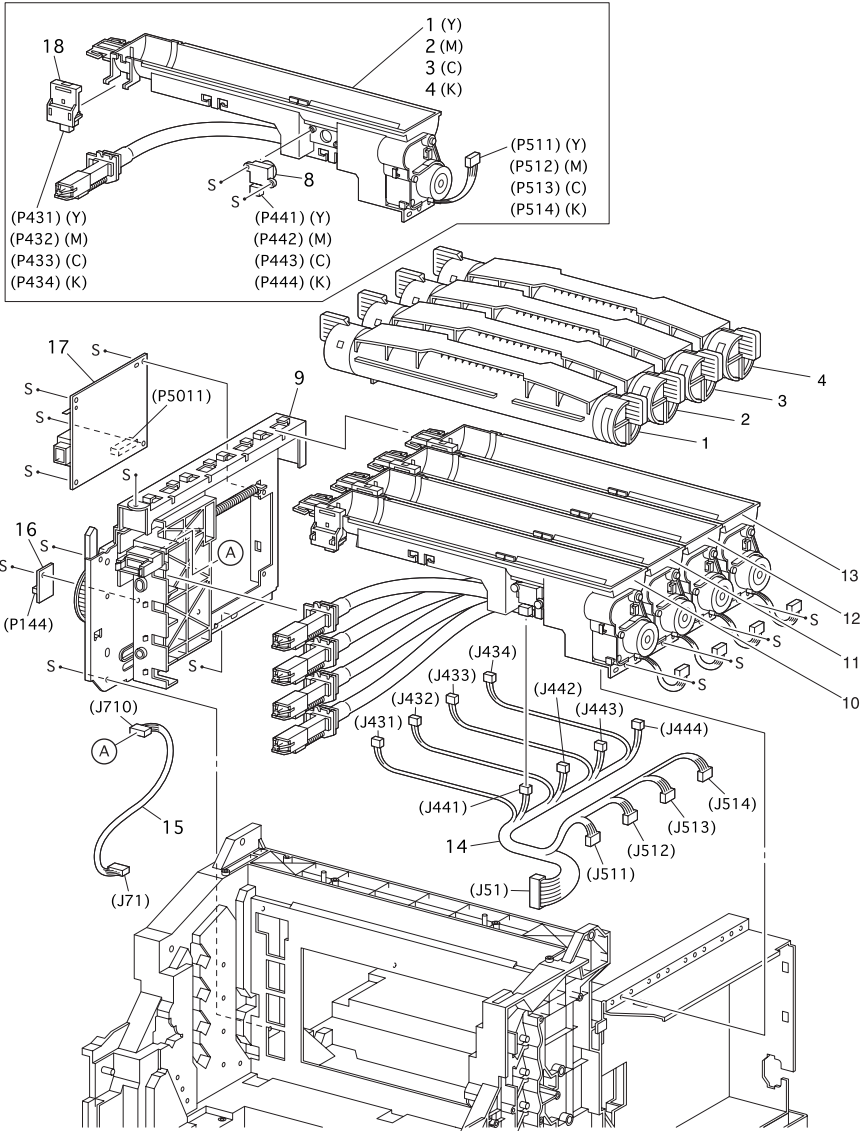
PL 9.1 Xerographics



PL 9.1 Xerographics - FRU Parts List Table

ID No.	Part Number	Qty	Name/Description
1	116-1451-00	1	Laser Unit
2	116-1452-00	2	Spring, ROS (1 per order)
3	016-2012-00	1	Imaging Unit
4	116-1453-00	1	Bias Housing Assembly
5	116-1454-00	8	Plunger, Stud (1 per order)
6	116-1455-00	1	Assembly, Chute Registration (with 7~10 and 12)
7		1	Registration Clutch (NS)
8	116-1413-00	1	Sensor, Registration
9	116-1456-00	1	Actuator, Registration
10	116-1457-00	1	Actuator Spring, Registration
11	116-1458-00	1	Assembly, Housing, Electric
12	116-1459-00	1	OHP Sensor (with Harness) Kit

PL 10.1 Holder Toner Cartridge Assembly



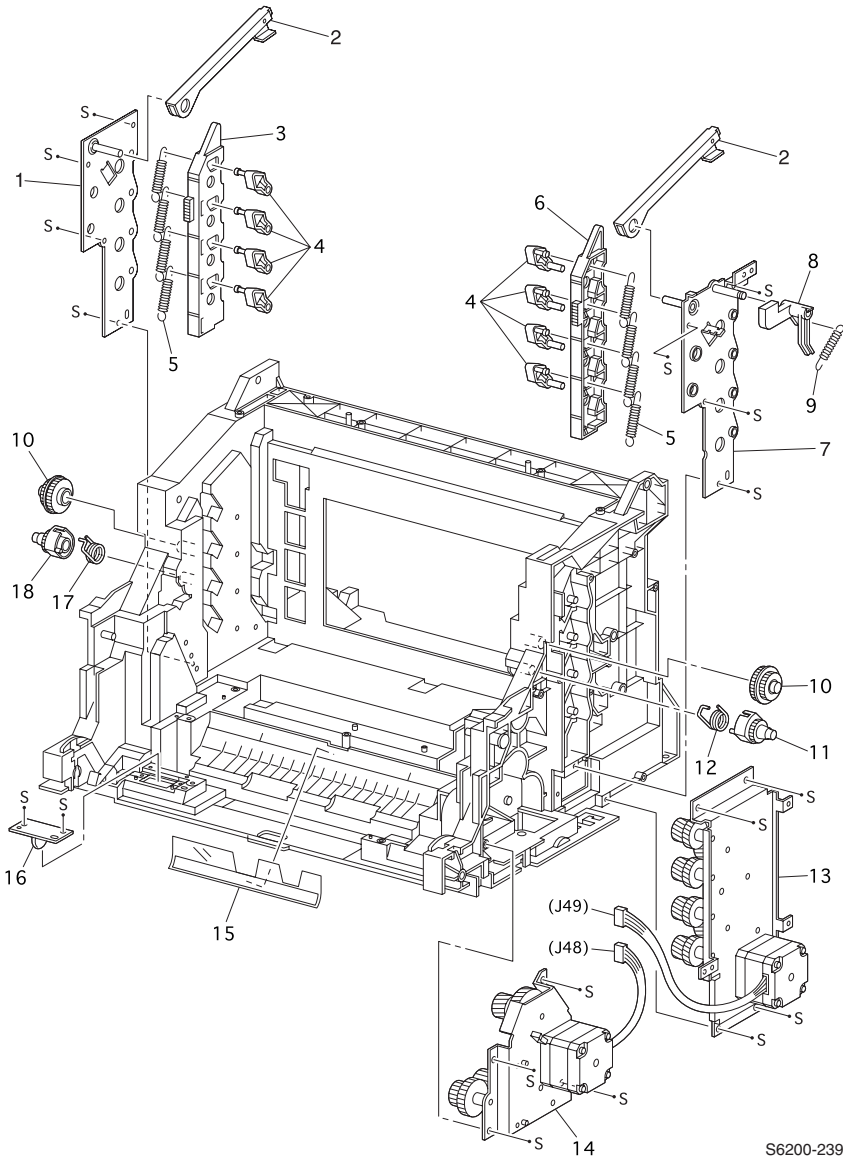
S6200-238

PL 10.1 Toner Cartridge Holder Unit Assemblies - FRU Parts List

ID No.	Part Number	Qty	Name/Description
1	016-2003-00 016-2007-00	1 1	Yellow Toner Cartridge, Standard-Capacity Yellow Toner Cartridge, High-Capacity
2	016-2002-00 016-2006-00	1 1	Magenta Toner Cartridge, Standard-Capacity Magenta Toner Cartridge, High-Capacity
3	016-2001-00 016-2005-00	1 1	Cyan Toner Cartridge, Standard-Capacity Cyan Toner Cartridge, High-Capacity
4	016-2004-00 016-2008-00	1 1	Black Toner Cartridge, Standard-Capacity Black Toner Cartridge, High-Capacity
8	116-1464-00	1	Sensor, Toner Low
9	116-1465-00	1	Assembly, Plate Dispenser, Left
10	116-1460-00	1	Holder, Toner Cartridge Assembly, Yellow
11	116-1461-00	1	Holder, Toner Cartridge Assembly, Magenta
12	116-1462-00	1	Holder, Toner Cartridge Assembly, Cyan
13	116-1463-00	1	Holder, Toner Cartridge Assembly, Black
14	116-1466-00	1	Assembly, Harness Toner (J51-J431/J432/J433/J434/J441/J442/J443/J444/ J511/J512/J13/J514)
15	116-1467-00	1	Assembly , Harness CRUM (J71-J710)
16	116-1468-00	1	*Circuit Board, EEPROM
17	116-1469-00	1	Sub-High-Voltage Power Supply
18	116-1470-00	1	Switch, Toner CTG-IN (Present)

* When a new EEPROM Board is installed in the printer, the CRUM data written to the EEPROM makes it unique to that printer. The EEPROM board cannot be re-used in another printer.

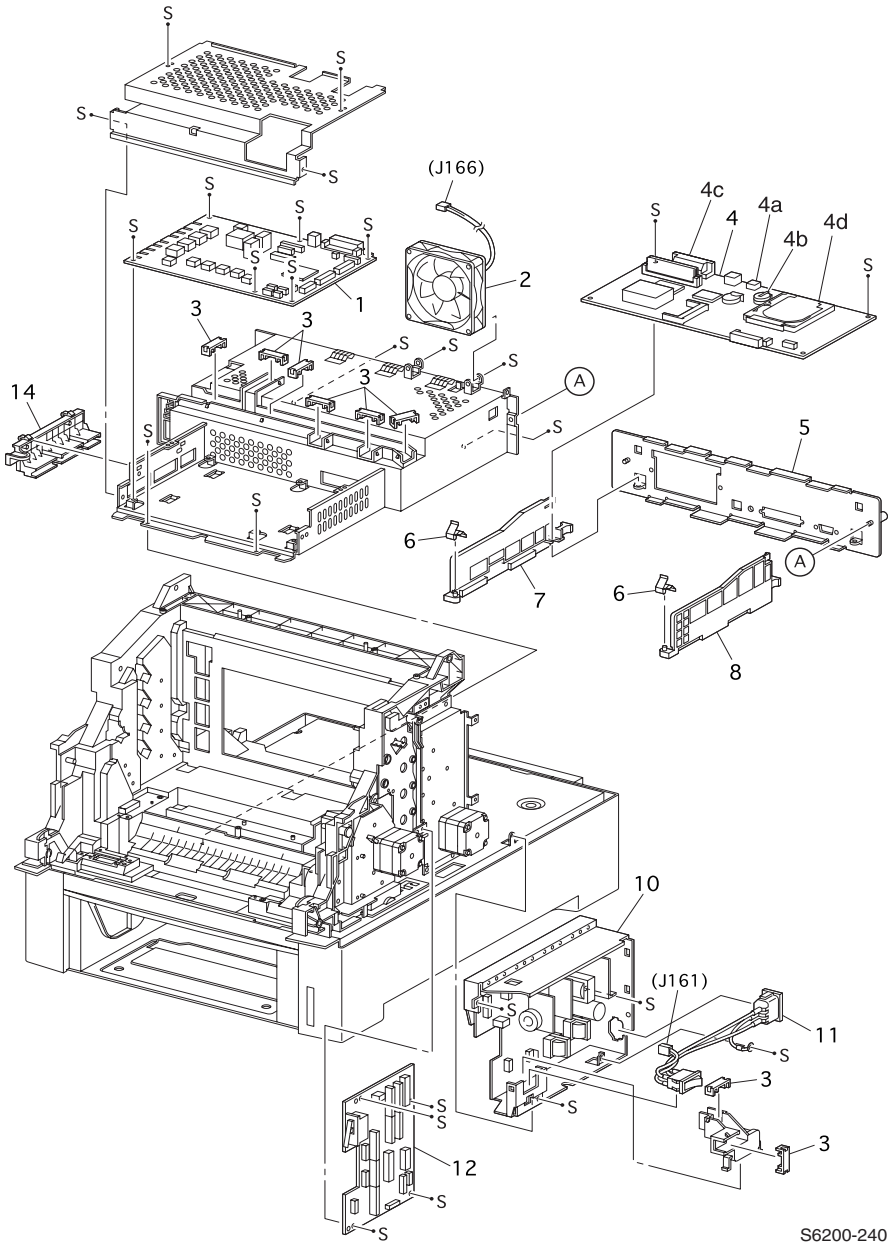
PL 11.1 Frame and Drive Assemblies



PL 11.1 Frame and Drive Assemblies - FRU Parts List Table

ID No.	Part Number	Qty	Name/Description
1		1	Lever, Plate Left (NS)
2	116-1471-00	2	Lever, Bracket (1 per order)
3	116-1472-00	1	Lever, Link , Left
4	116-1473-00	8	Lever, Drum (1 per order)
5	116-1474-00	8	Lever, Spring (1 per order)
6	116-1475-00	1	Link Lever, Right
7		1	Lever, Plate Right (NS)
8	116-1476-00	1	Actuator, I/L
9	116-1477-00	1	Spring, I/L
10	116-1478-00	2	Press, Gear IDL (1 per order)
11	116-1479-00	1	Press, Gear Right
12	116-1480-00	1	Spring, IDT Right
13	116-1481-00	1	Assembly, Developer Drive
14	116-1482-00	1	Assembly, Main Drive
15	116-1483-00	1	Registration, Film
16	116-1484-00	1	Circuit Board, Earth GRND (Ground)
17	116-1485-00	1	Spring, IDT Left
18	116-1486-00	1	Press, Gear, Left

PL 12.1 Electrical



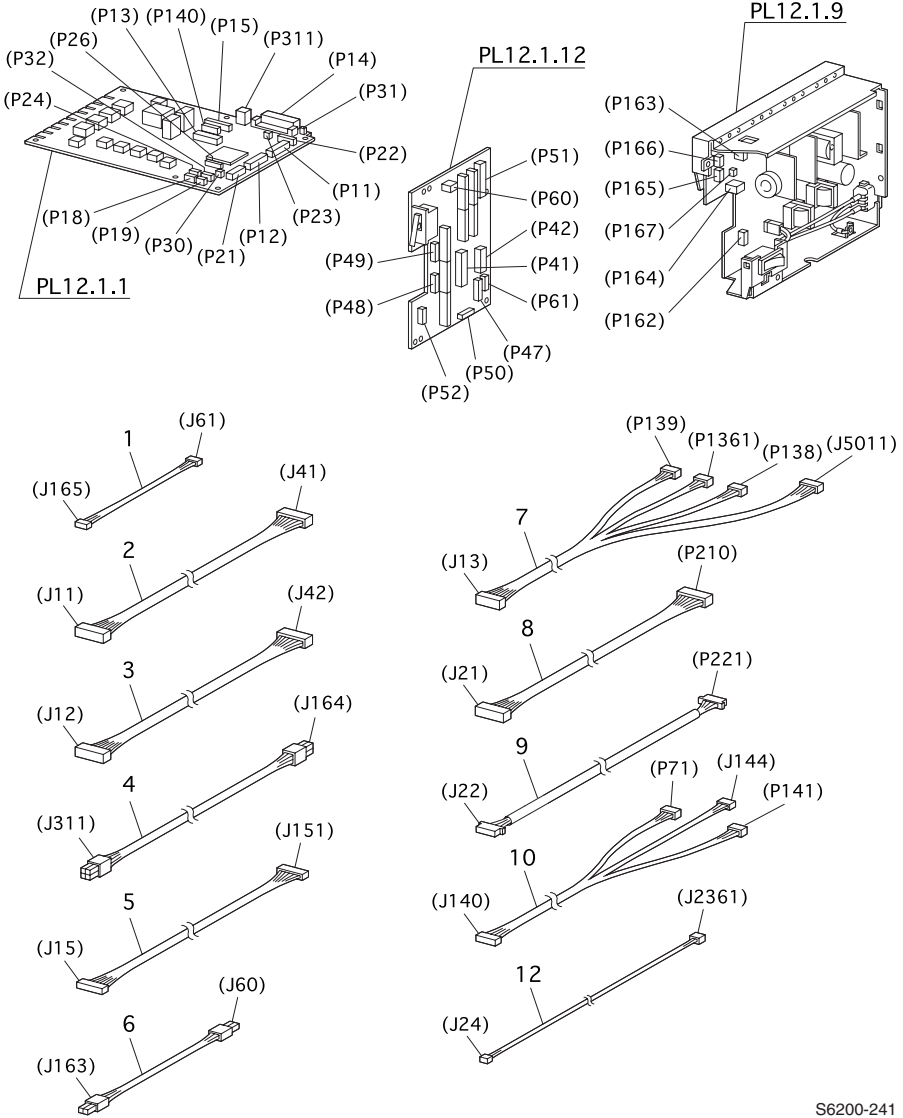
S6200-240

PL 12.1 Electrical - FRU Parts List Table

ID No.	Part Number	Qty	Name/Description
1	116-1487-00	1	Circuit Board, Engine Control
2	116-1488-00	1	Rear Fan
3	116-1489-00	2	Harness, Clamp Guide (1 per order)
4	671-5290-81	1	Image Processor Board, no configuration chip, no memory, no NVRAM, no Hard Drive
4a	163-1459-00		IC, Memory NVRAM
4b	163-1458-00 163-1474-00 163-1475-00		Configuration Chip = "i" button IC, Base Configuration Chip IC, Network Configuration Upgrade Chip IC, DP/DX Configuration Upgrade Chip
4c	650-4237-00		Internal Hard Drive, FRU
4d	156-4838-00 156-4837-00 156-4663-00		Memory 64 MB, 8M x 64, PC133; Memory DIMM 128 MB, 16M x 64, PC133; Memory DIMM 256 MB, 32M x 64, PC133; Memory DIMM
5		1	Plate, Rear, Image Processor Board (NS)
6		2	Spring, Ground, Image Processor Board (NS)
7		1	Guide Right - Engine Control Board (NS)
8		1	Guide Left - Engine Control Board (NS)
10			
10a	116-1494-00	1	Low-Voltage Power Supply 110 V
10b	116-1495-00	1	Low-Voltage Power Supply 220 V
11	116-1496-00	1	Assembly, Harness, AC Switch
12	116-1497-00	1	Circuit Board, Motor Driver
14	116-1498-00	1	Housing Assembly Contact

PL 13.1 Harness Assemblies

▼ 99



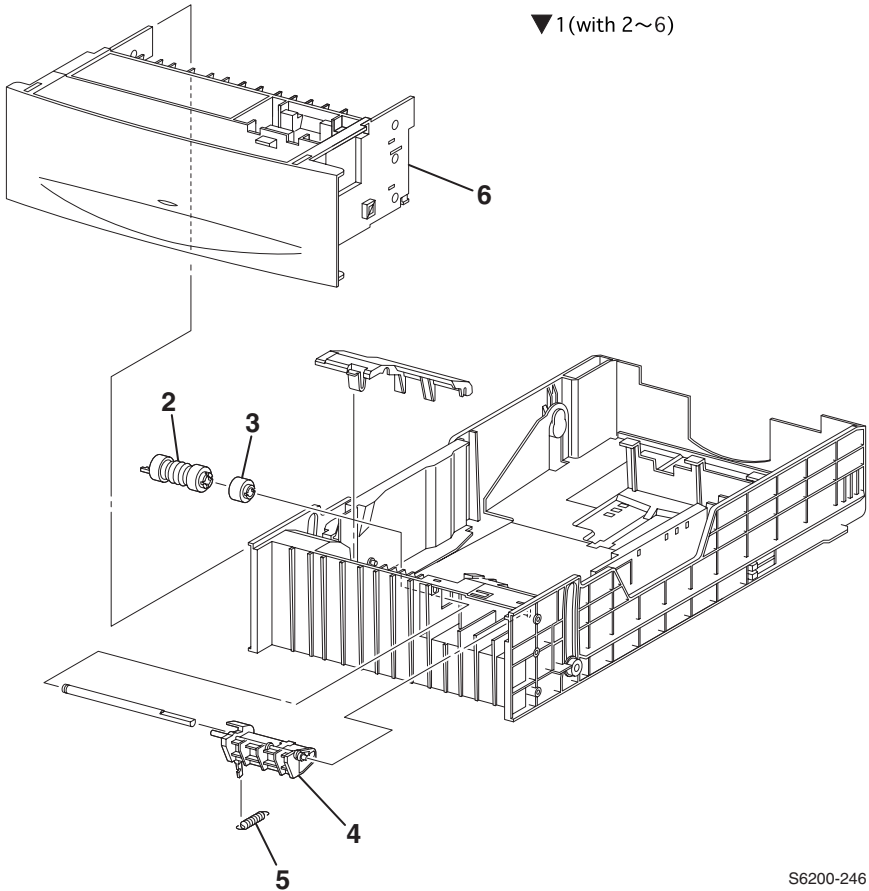
S6200-241

PL 13.1 - Harness Assemblies - FRU Parts List Table

ID No.	Part Number	Qty	Name/Description
1	116-1499-00	1	Assembly, Harness, LVNC (J165-61)
2	116-1500-00	1	Assembly, Harness, DRV 1 (J11-J41)
3	116-1501-00	1	Assembly, Harness, DRV 2 (J12-J42)
4	116-1502-00	1	Assembly, Harness, LVRPG (J164-311)
5	116-1503-00	1	Assembly, Harness, ROSKA (J15-J151)
6	116-1504-00	1	Assembly, Harness, 24 V (J60-J163)
7	116-1505-00	1	Assembly, Harness, FRONT 1A (J13-P139/P1361/P1381/P5011)
8	116-1506-00	1	Assembly, Harness, OPF MAIN (J121-P210)
9	116-1507-00	1	Assembly, Harness, OPEPANE OPA (J22-P221)
10	116-1508-00	1	Assembly, Harness, EEPROM (J140-P71/J144/P141)
12	116-1509-00	1	Assembly, Harness, TMPB (J24-2361)

High Capacity Feeder FRU Parts List

PL 14.1 High-Capacity Feeder Paper Trays 2 & 3

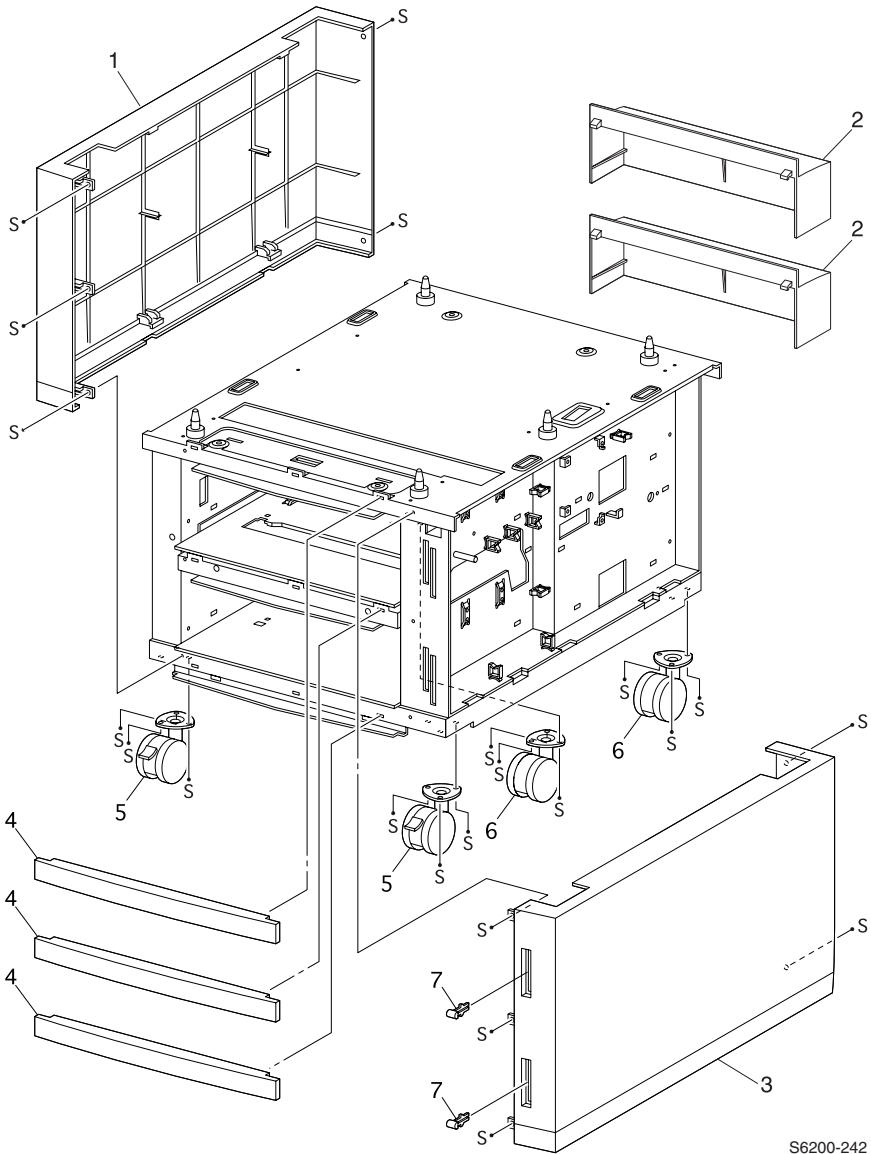


S6200-246

PL 14.1 Tray 2 & 3, Univeral Paper - FRU Parts List Table

ID No.	Part Number	Qty	Name/Description
1	116-1330-00	1	Universal Paper Tray (with 2-5)
2	116-1331-00	2	Paper Feed Roller Kit* *(2 interchangeable rollers per order)
3	116-1332-00	1	Assembly, Friction Clutch
4		1	Holder, Retard (NS)
5	116-1334-00	1	Spring, Retard
6		1	Cover, Front Tray(NS)

PL 14.2 High-Capacity Feeder Covers

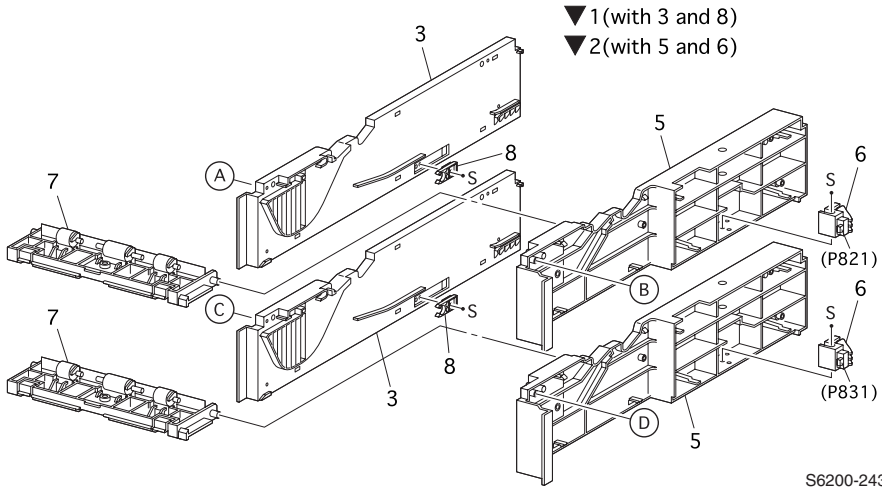
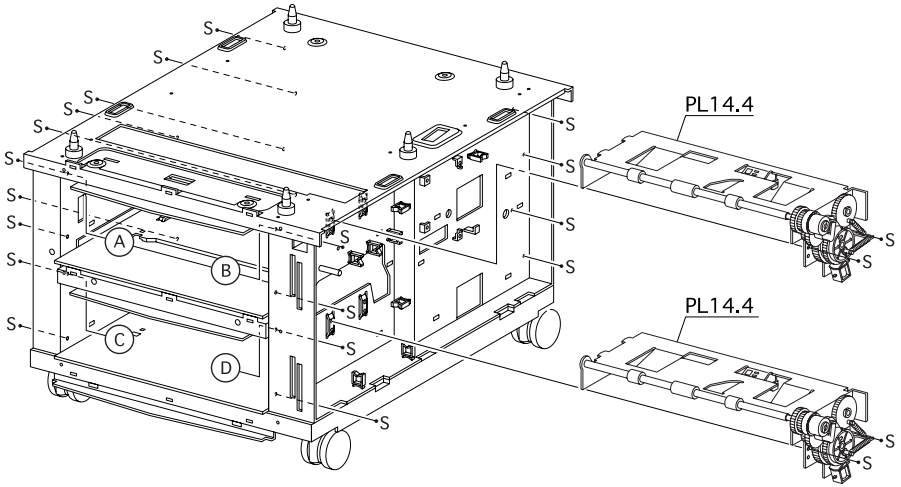


S6200-242

PL 14.2 High-Capacity Feeder Covers- FRU Parts List Table

ID No.	Part Number	Qty	Name/Description
1	116-1510-00	1	Cover, Left
2	116-1337-00	2	Cover, Rear (1 per order)
3	116-1511-00	1	Cover, Right
4	116-1512-00	3	Cover, Front (1 per order)
5	116-0009-00	2	Casters, Locking (1 per order)
6	116-0008-00	2	Casters, Non-Locking (1 per order)
7	116-1514-00	2	Indicator, Paper (1per order)

PL 14.3 High-Capacity Feeder Guides and Turn Chute Assembly



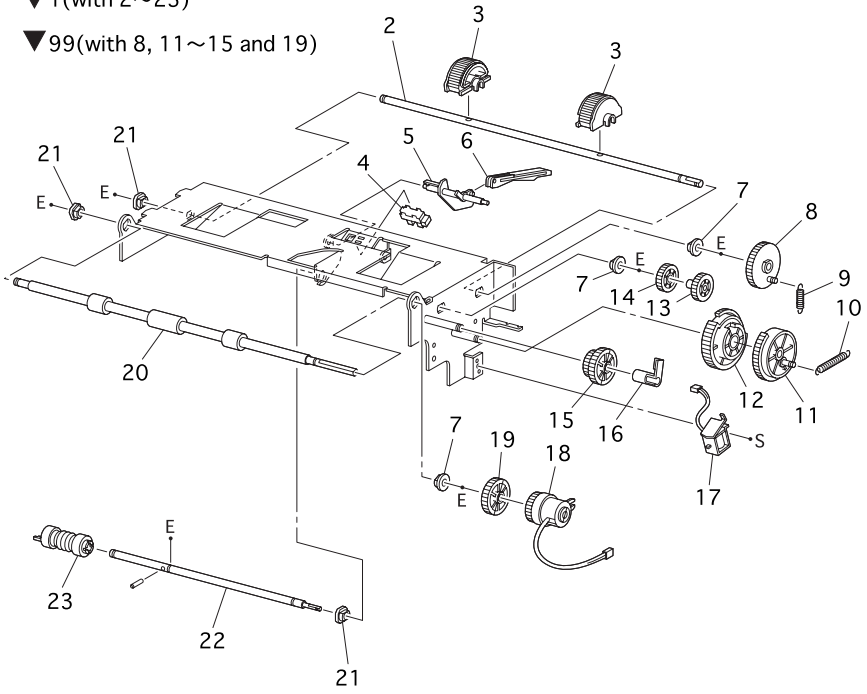
PL 14.3 High-Capacity Feeder Guides and Chute - FRU Parts List Table

ID No.	Part Number	Qty	Name/Description
1			Guide Assembly (with 3 and 8) (NS)
2			Guide Assembly (with 5 and 6) (NS)
3	116-1515-00	2	Guide, Tray Left (1 per Tray)
5	116-1516-00	2	Guide, Tray Right (1 per Tray)
6	116-1343-00	2	Assembly, Paper Size Switch (1 per Tray)
7	116-1336-00	2	Assembly, Turn Chute (1 per Tray)
8	116-1351-00	2	Paper Tray Stopper(1 per Tray)

PL 14.4 Paper Pick Assembly Trays 2 & 3

▼ 1 (with 2~23)

▼ 99 (with 8, 11~15 and 19)

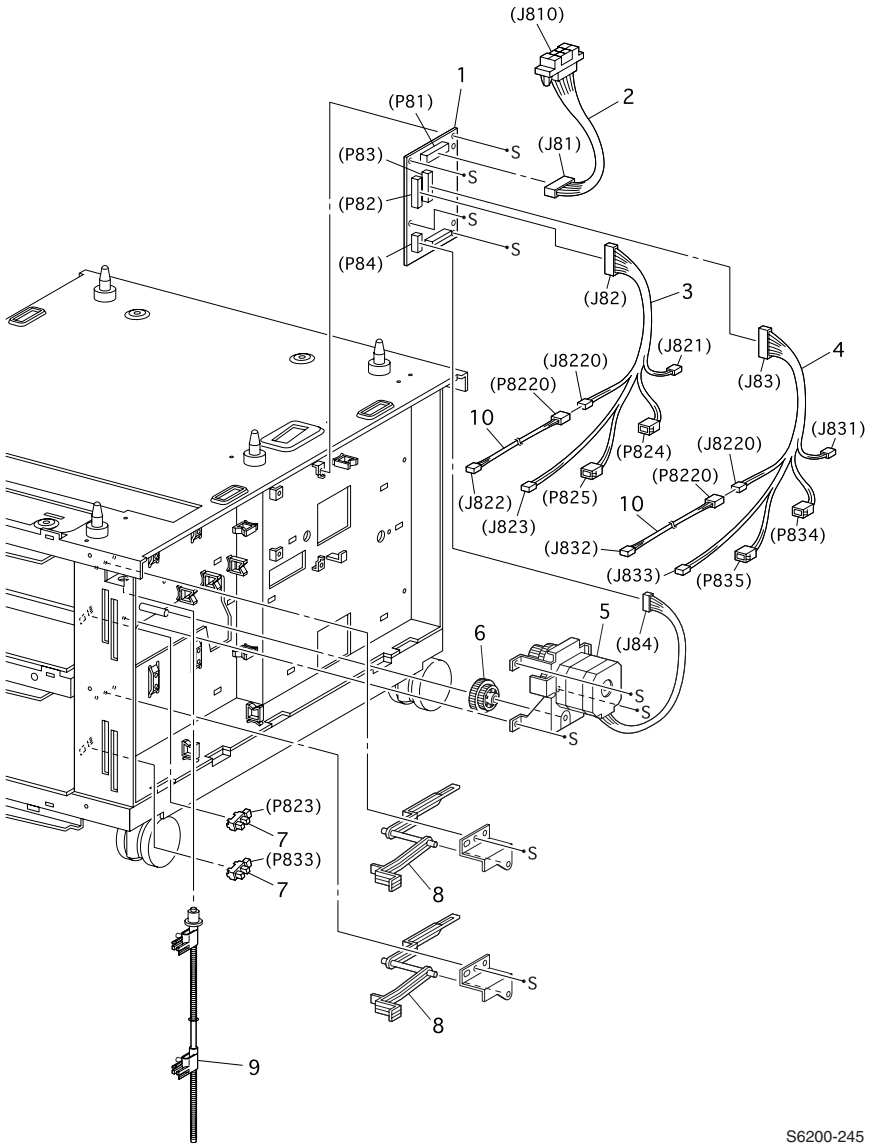


S6200-244

PL 14.4 Paper Pick Assembly Trays 2 & 3 - FRU Parts List Table

ID No.	Part Number	Qty	Name/Description
1	116-1517-00	1	Paper Pick Assembly, LTA (with 2~24)
2		1	Shaft, Feed 1 (NS)
3	116-1353-01	2	Paper Pick Roller Kit (2 per order)
4	116-1354-00	1	Sensor, No Paper, Low Paper
5	116-1355-00	1	Actuator, No Paper
6	116-1356-00	1	Actuator, Link
7		3	Bearing - Metal (NS)
8		1	Gear, Feed 1 (NS)
9		1	Spring, Feed 1 (NS)
10		1	Spring, Feed H (NS)
11		1	Gear, Feed H2 (NS part of 99)
12		1	Gear, Feed H1 (NS part of 99)
13		1	Gear, Feed 2 (NS part of 99)
14		1	Gear, Idler Feed (NS part of 99)
15		1	Gear, Idler (NS part of 99)
16		1	Clutch Stopper (NS)
17	116-1361-00	1	Feed Solenoid,
18	116-1362-00	1	Assembly, Turn Clutch
19		1	Gear, Idler In (NS part of 99)
20	116-1363-00	1	Assembly, Roll Turn
21		2	Bearing, Black (NS)
22		1	Shaft, Feed 2 (NS)
23	116-1331-00	2	Paper Feed Roller Kit* *(2 interchangeable rollers per order)
99	116-1367-00	1	Paper Feed Gear Kit (with 8, 11~15 and 19)

PL 14.5 High-Capacity Feeder Harness, Board and Motor



S6200-245

PL 14.5 High-Capacity Feeder Harness, Board, Motor - FRU Parts List Table

ID No.	Part Number	Qty	Name/Description
1	116-1518-00	1	Circuit Board, Lower Feeder
2	116-1519-00	1	Assembly, OPT Feeder Plug
3	116-1520-00	1	Assembly, Harness, Tray 2
4	116-1521-00	1	Assembly, Harness, Tray 3
5	116-1522-00	1	Assembly, Drive, Feeder
6		1	Gear, Idler (NS, part of PL 3.3.99)
7	116-1354-00	2	Sensor, No Paper, Low Paper (1 per order)
8	116-1524-00	2	Lever, Low Paper (1 per order)
9	116-1525-00		Assembly, Indicator
10	116-1526-00		Assembly, Harness, NPRSJ

PL 15.1 Xerox Supplies and Accessories

Repair Kits, World Kits and Repacking Kits

Description	Part Number
Kit, Gear, Paper Feed	116-1367-00
Kit, Gear, Exit Chute	116-1446-00
Kit, OHP Sensor with Harness	116-1459-00
Printer Feet	116-1344-00
Kit Screw, Assorted	116-1527-00
Kit, Long Screw (M3 x 85) (2 each)	212-0237-00
Kit, E-Rings, Assorted	116-1528-00
Kit, Sensor Actuator, Assorted Actuators	116-1529-00
Kit, Paper Feed Rollers (2 interchangeable Rollers per)	116-1331-00
Paper Pick Rollers (2 interchangeable Rollers per)	116-1353-01
Main Shipping Box	004-5258-00
Lower Tray Deck Shipping Box	004-5278-00
Phaser 6200, World Kit Plus Standard Media Sample Pack	061-4462-00
Phaser 6200, World Kit Plus Metric Media Sample Pack	061-4463-00
Repackaging Kit, Phaser 6200	065-0610-00
Repackaging Kit, High-Capacity Feeder, Phaser 6200	065-0620-00
Cleaning Kit, 5 Texwipes	016-1845-00

Power Cords

Description	Part Number
Cable Assy, 3,18AWG, 115 V, 98, 0L	161-0066-00
Cable PWR EURO 220V , 99L	161-0066-09
Cable PWR U.K. 240 V, 96L	161-0066-10
Cable PWR AUST 240 V, 96L	161-0066-11
Cable Assy SWISS 220/240 V, 50Hz	161-0154-00
Cable Assy PWR. DANISH, 250 V	161-0240-00
Cable Assy PWR, PRC	161-0304-00
Power, 240V , ARGENTINA	161-0307-00

Upgrade Kits and Options

Description	Part Number
Internal Hard Drive, FRU	650-4237-00
Memory 64 MB, 8M x 64, PC133; Memory DIMM 128 MB, 16M x 64, PC133; Memory DIMM 256 MB, 32M x 64, PC133; Memory DIMM	156-4838-00 156-4837-00 156-4663-00
High-Capacity Feeder w/ Trays	119-6415-00
Casters Non-Locking	116-0008-00
Casters Locking	116-0009-00
IC, Base Configuration Chip	163-1458-00
IC, Network Configuration Upgrade Chip	163-1474-00
IC, DP/DX Configuration Upgrade Chip	163-1475-00
IC, Memory NVRAM	163-1459-00

Customer-Replaceable Consumables (CRCs)

Description	Part Number
Toner Cartridges - Phaser 6200 all Yellow Toner Cartridge, Standard-Capacity Yellow Toner Cartridge, High-Capacity	016-2003-00 016-2007-00
Magenta Toner Cartridge, Standard-Capacity Magenta Toner Cartridge, High-Capacity	016-2002-00 016-2006-00
Cyan Toner Cartridge, Standard-Capacity Cyan Toner Cartridge, High-Capacity	016-2001-00 016-2005-00
Black Toner Cartridge, Standard-Capacity Black Toner Cartridge, High-Capacity	016-2004-00 016-2008-00
Imaging Unit	016-2012-00
Fuser 110 V 220 V	016-2014-00 016-2015-00
Transfer Roller	016-2013-00

Customer-Replaceable Units (CRUs)

Description	Part Number
Universal Paper Tray (1, 2, 3)	016-1330-00
Paper Feed Roller Kit	116-1331-00

Software and Documentation

Description	Part Number
Product CD	063-3414-00
Printer Management CD	063-3415-00
Interactive Documentation CD	063-3419-01
Service Manual	071-0784-00

Print Media

Description	Part Number
Premium Paper, A, 500 Sheets	016-1368-00
Premium Paper, A4, 500 Sheets	016-1369-00
Glossy Coated Paper, A, 100 Sheets	016-1704-00
Glossy Coated Paper, A4 100 Sheets	016-1705-00
Color Printing Labels, A, 30 per, 100 Sheets	016-1812-00
Color Printing Labels, A, 6 per, 100 Sheets	016-1813-00
Color Printing Labels, A4, 14 per, 100 Sheets	016-1814-00
Color Printing Labels, A4, 8 per, 100 Sheets	016-1815-00
Premium Cover Paper, A, 100 Sheets	016-1823-00
Premium Cover Paper, A4, 100 Sheets	016-1824-00
CD/DVD Label and Applicator; contains 1 Applicator & 1 Jewel Case	016-1885-00
CD/DVD Labels and Inserts, 1 Insert/Sheet, Letter (8.5 x 11 in.), 20 Sheets, 2 Labels per Sheet, 10 Sheets	016-2011-00
CD/DVD Labels and Inserts, A4, (210 x 297mm) 1 Insert/Sheet, 20 Sheets, 2 Labels per Sheet, 10 Sheets	016-2026-00
Premium Business Card Media, A, 10 per 25 Sheets	016-1898-00
Premium Business Card Media, A4, 10 per 25 Sheets	016-1899-00
Phaser 6200 Premium Transparency, Letter (8.5 x 11 in.), 50 Sheets	016-1948-00
Phaser 6200 Premium Transparency, A4 (210 x 297mm), 50 Sheets	016-1949-00
Premium Greeting Card Media w/ Envelopes, A, 50 sheets	016-1987-00

Print Media (cont'd.)

Description	Part Number
Premium Greeting Card Media w/ Envelopes, A4, 50 sheets	016-1988-00
Digital Photo Paper, A, 50 Sheets	016-2009-00
Digital Photo Paper, A4, 50 Sheets	016-2010-00