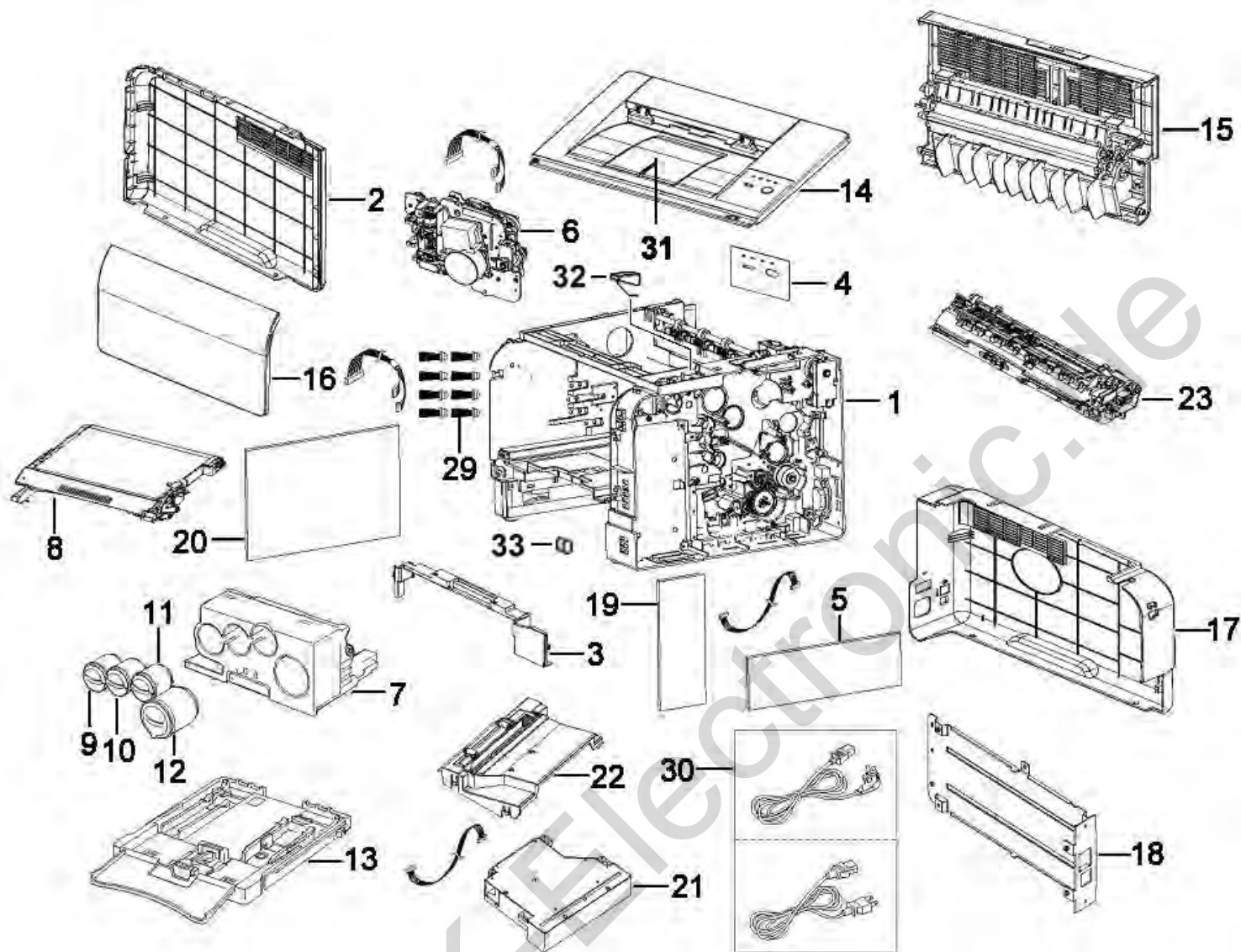


Printer Exploded View Parts List

Item	Description	Part Number
1	Electrical Assembly Frame 110v/220v	001N00489
2	Left Cover	002N02631
3	Cassette Surround Panel	002N02635
4	Control Panel Label	N/A
5	Printer USB PWB	140N63219
5	Printer Network PWB	140N63220
6	Main Drive	007N01563
7	Toner Dispenser/Photoreceptor Unit	064N00058
8	InterTransfer Belt Module (ITB)	023N01169
9	Yellow Toner Cartridge	NA
10	Magenta Toner Cartridge	NA
11	Cyan Toner Cartridge	NA
12	Black Toner Cartridge	NA
13	Paper Cassette	050N00506
14	Top Cover	002N02629
15	Rear Cover	002N02630
16	Front Cover	002N02633
17	Right Cover	002N02632
18	Main PWB Mounting Frame (USB)	095N00277
18	Main PWB Mounting Frame (Network)	096N00278
19	Switching Mode Power Supply (SMPS) 110v	105N02119
19	Switching Mode Power Supply (SMPS) 220v	105N02118
20	High Voltage Power Supply (HVPS)	105N02136
21	Laser Scanning Unit (LSU)	122N00263
22	Laser Scanning Unit Cover	002N02634
23	Fuser 110v	126N00279
23	Fuser 220v	126N00269
29	HVPS Contacts	116N00251
30	Power Cord 110v	N/A
30	Power Cord 220v	N/A
31	Guide Stacker	038N00503
32	Tray Empty Actuator	120N00503
33	Feed Roll-Rubber Pick Up	130N01409

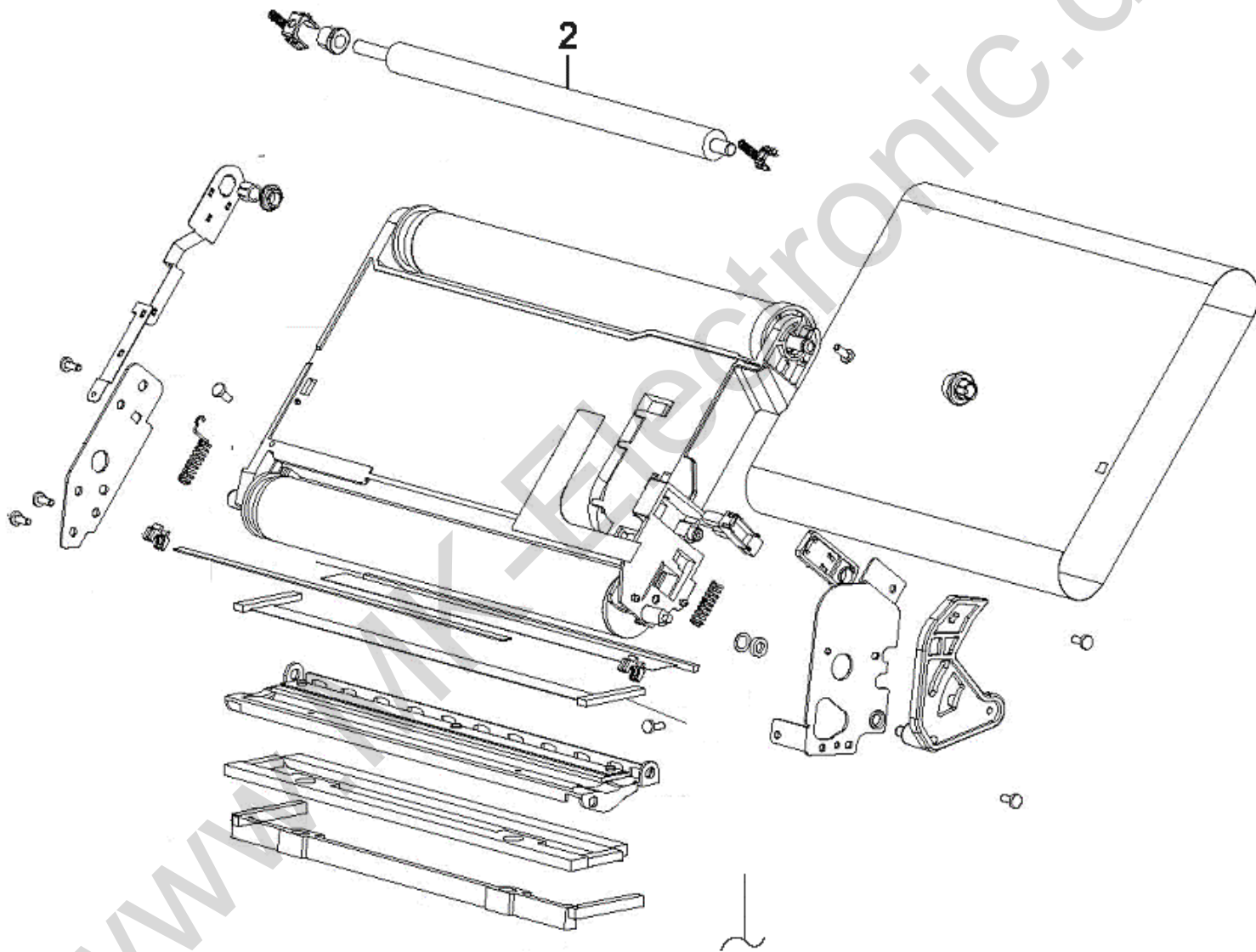
N/A – Not available at time of publication

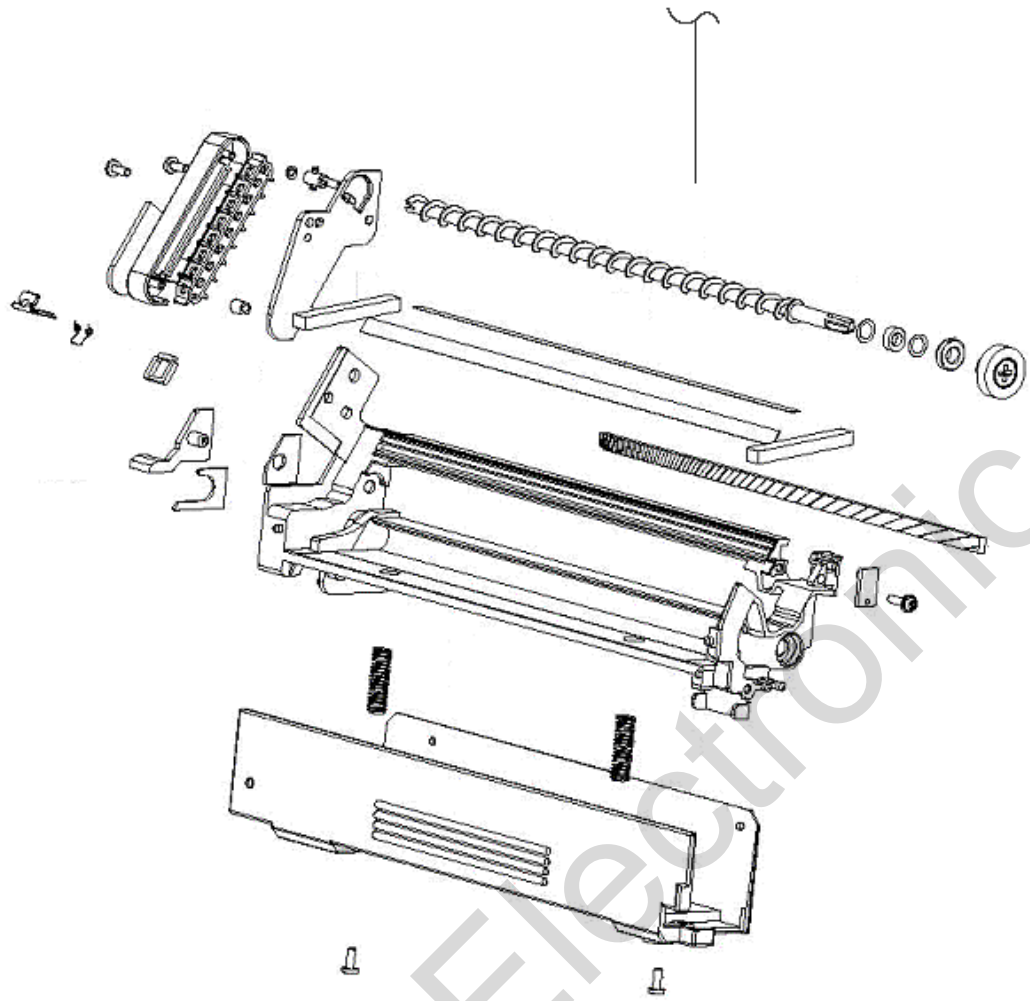


www.mk

InterTransfer Belt Parts List

Item	Description	Part Number
2	Transfer Roller	022N02299
All except Item 2	InterTransfer Belt Module (ITB)	023N01169

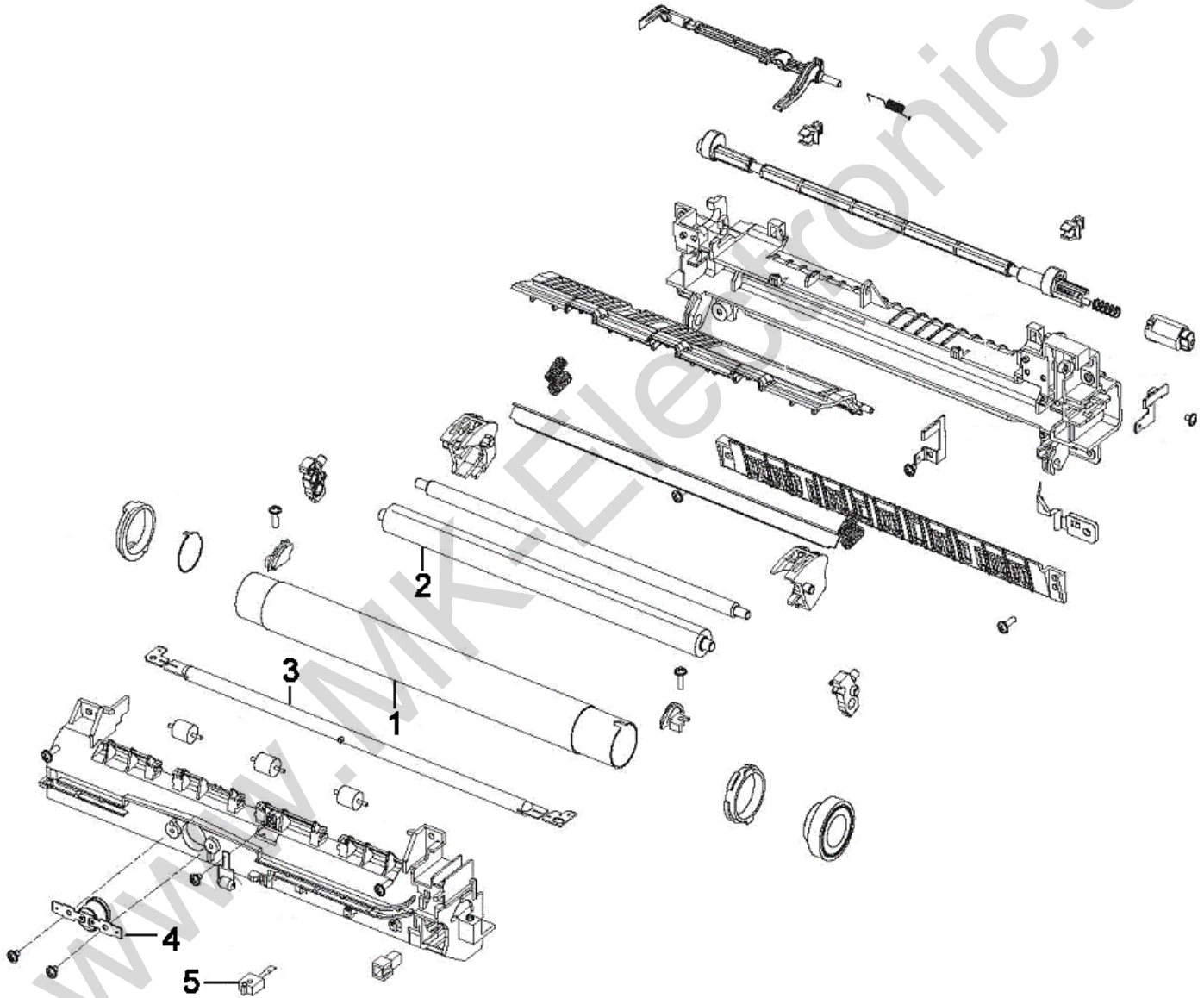


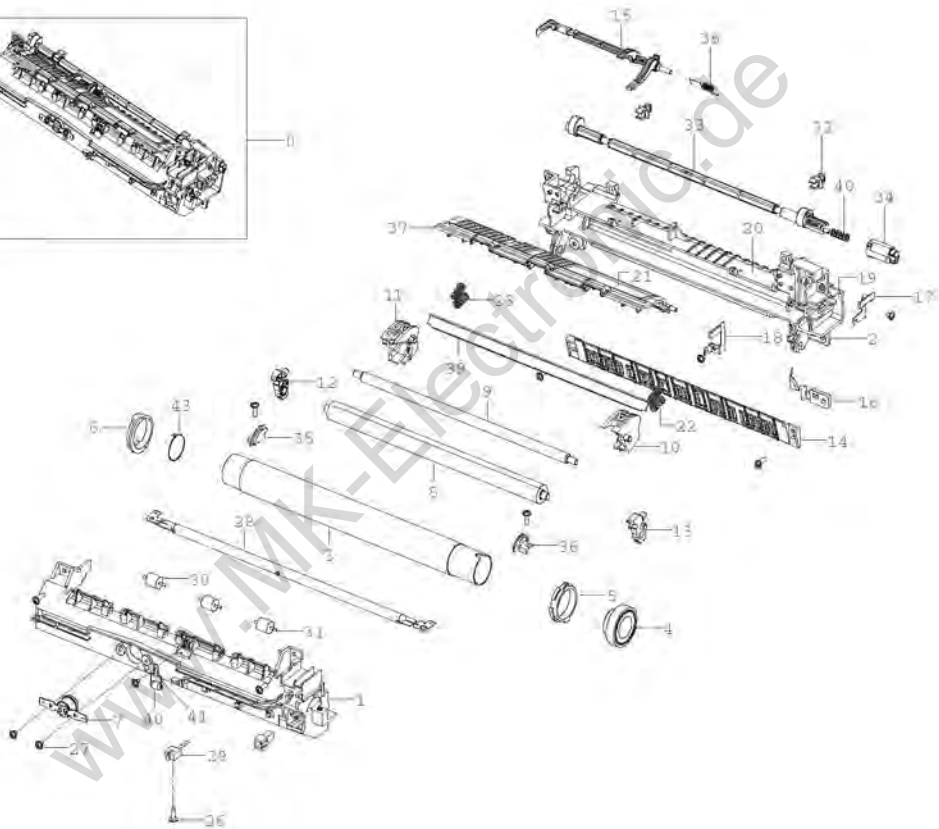
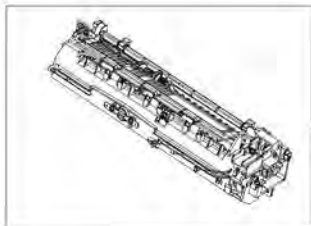


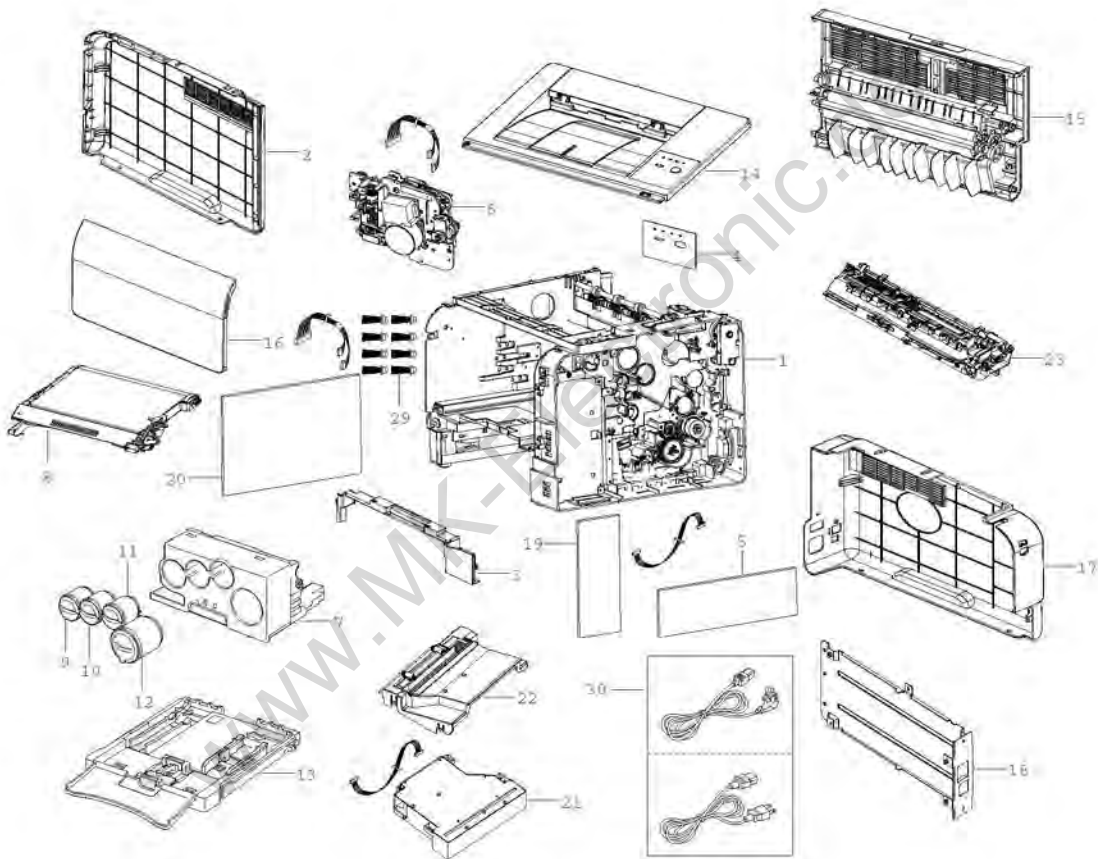
www.MK-Electronic.de

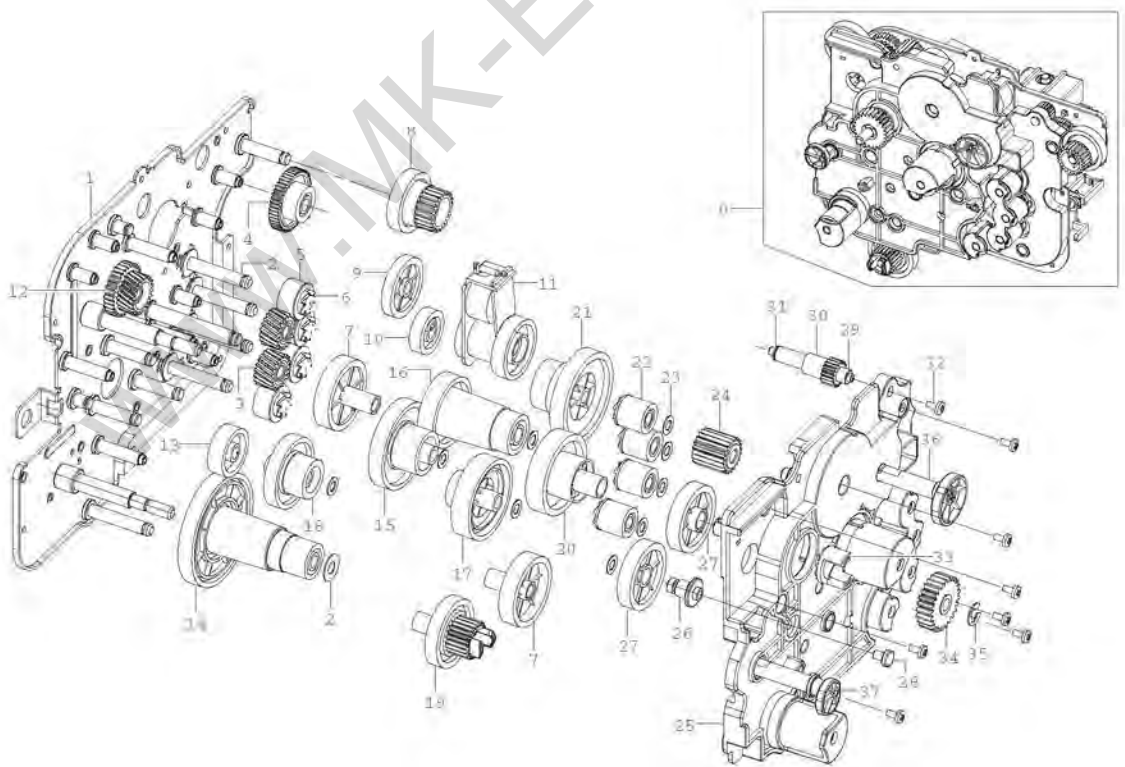
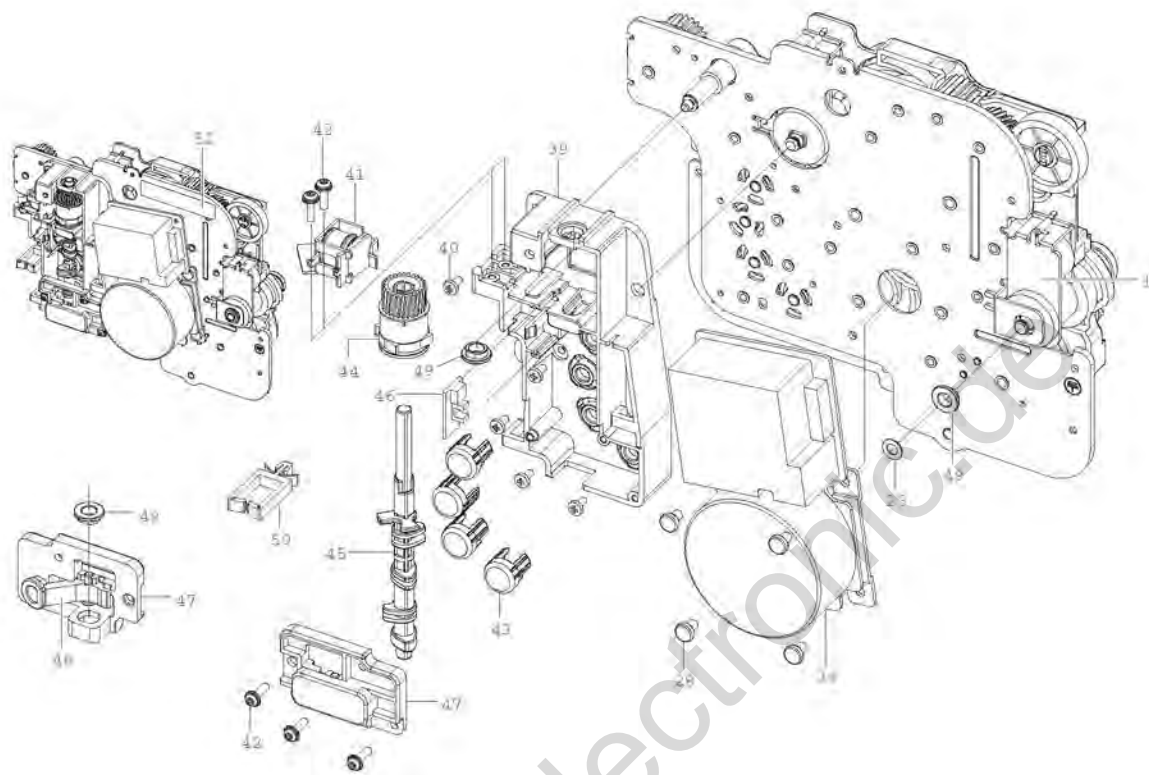
Fuser Parts List

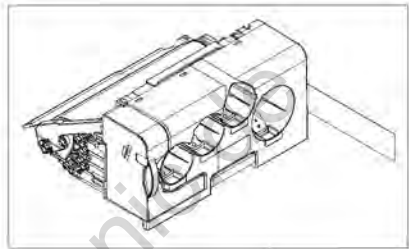
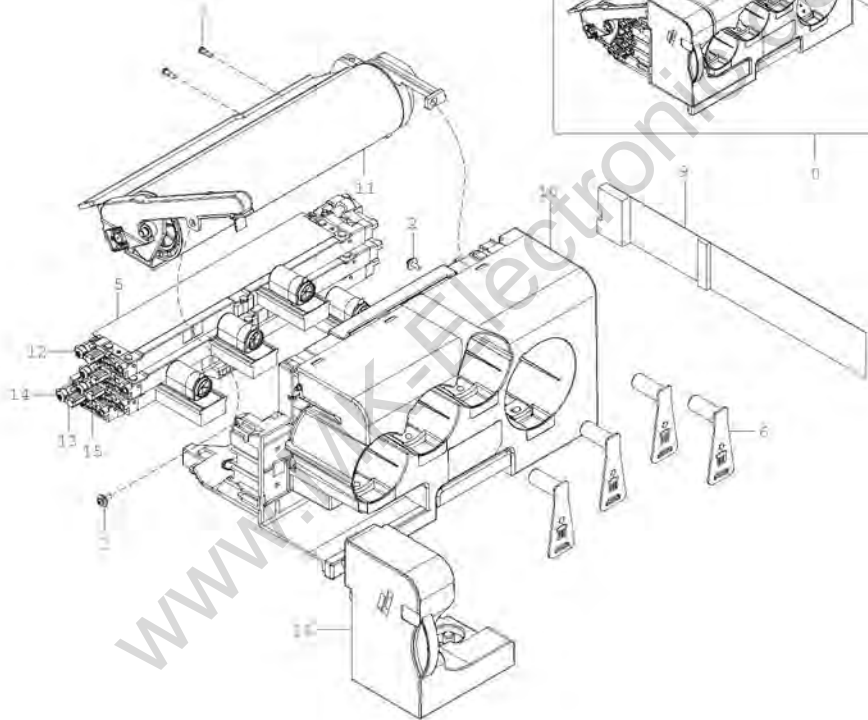
	Description	Part Number
1	Heat Roller	022N02300
2	Pressure Roller	022N02301
3	Heat Lamp 220v	122N00264
3	Heat Lamp 110v	122N00271
4	Thermostat	130N01491
5	Thermistor	130N01492

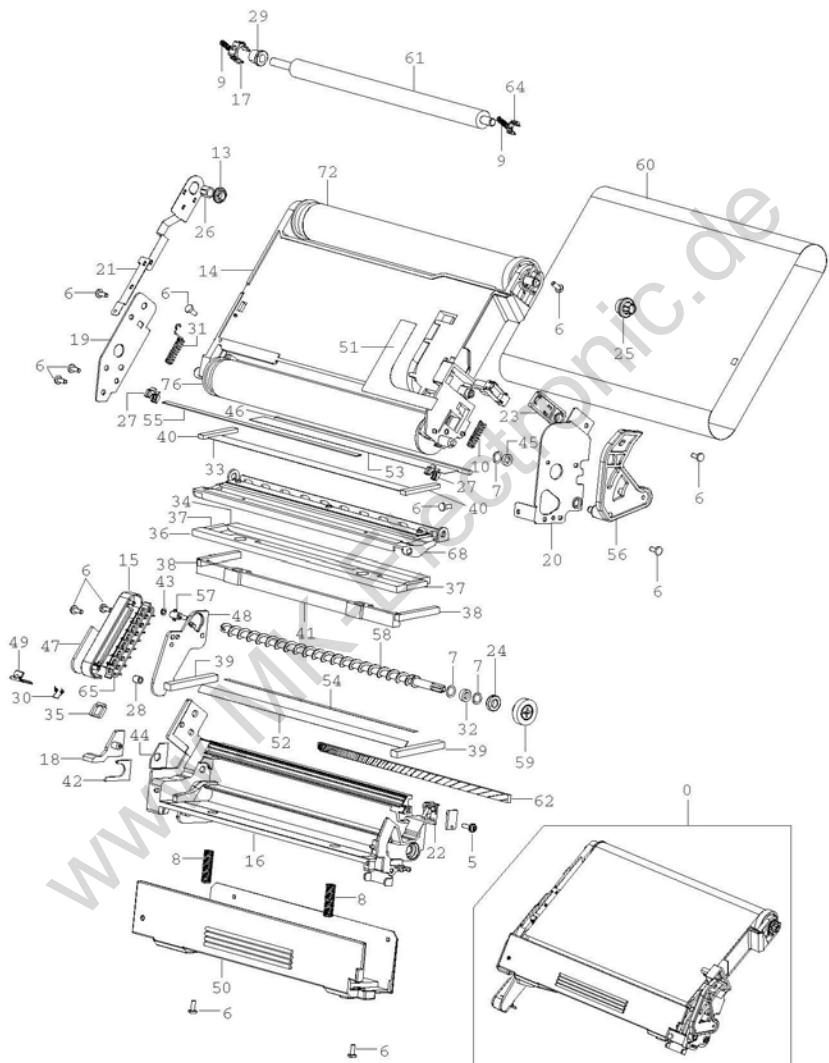


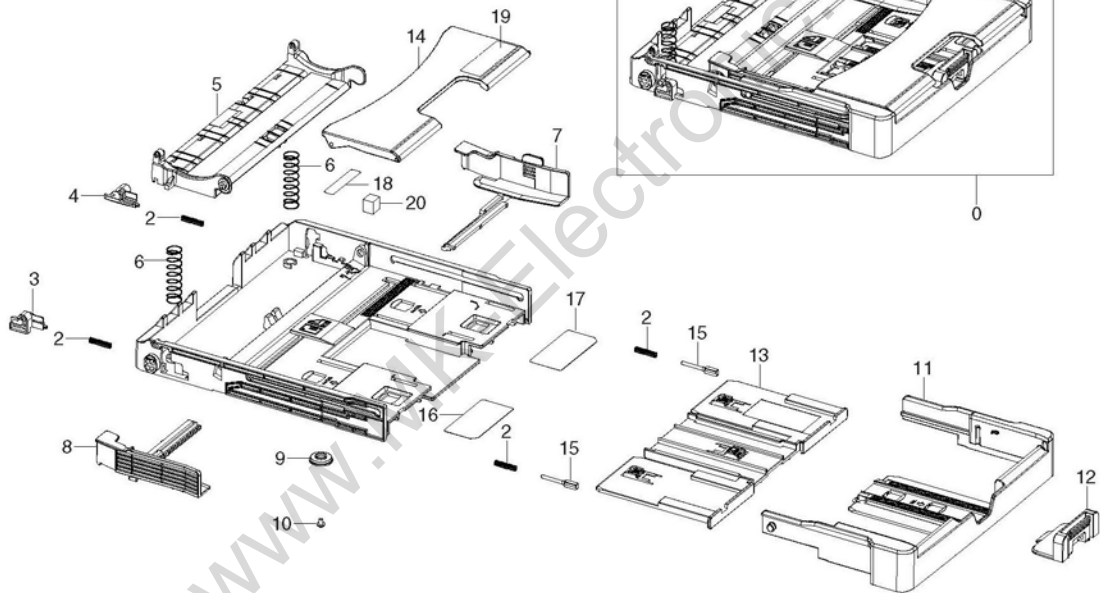


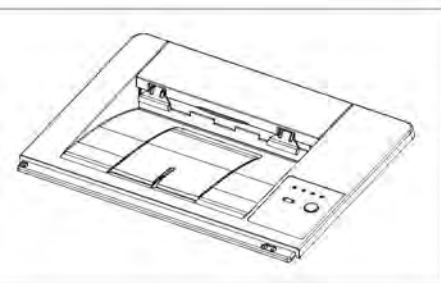




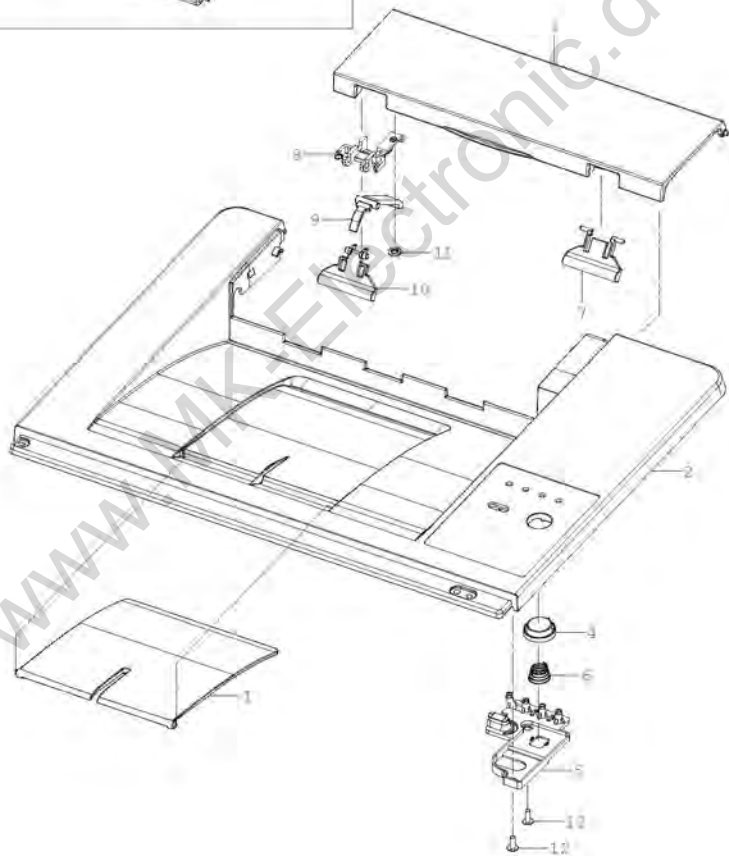




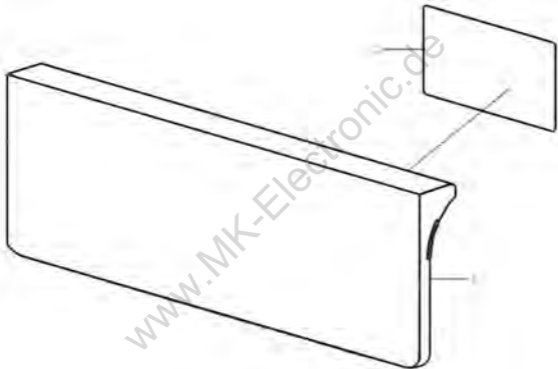


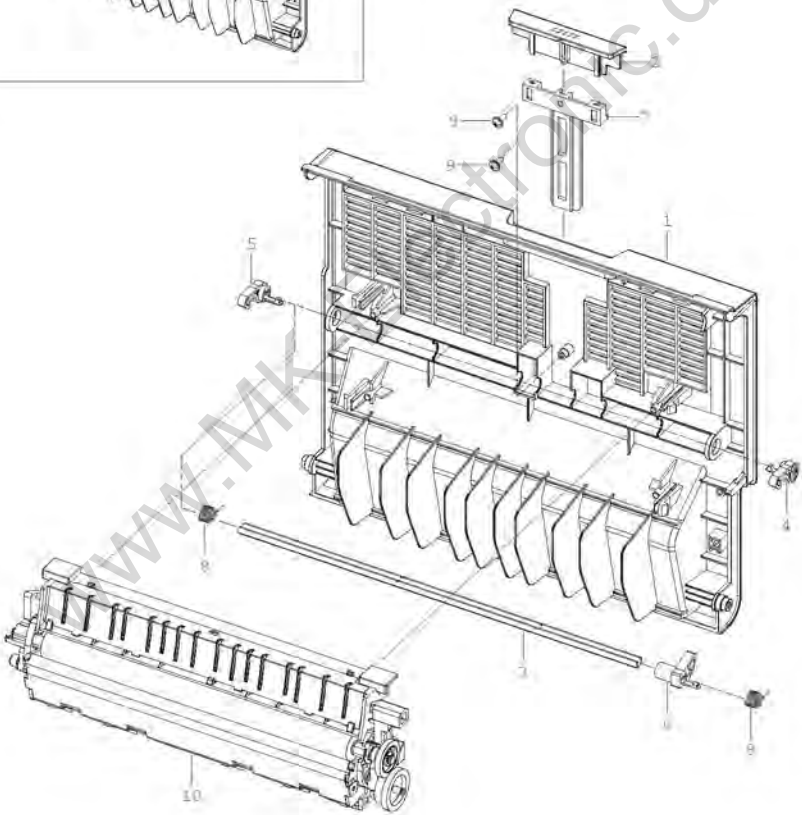
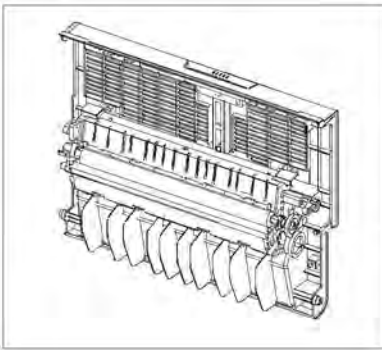


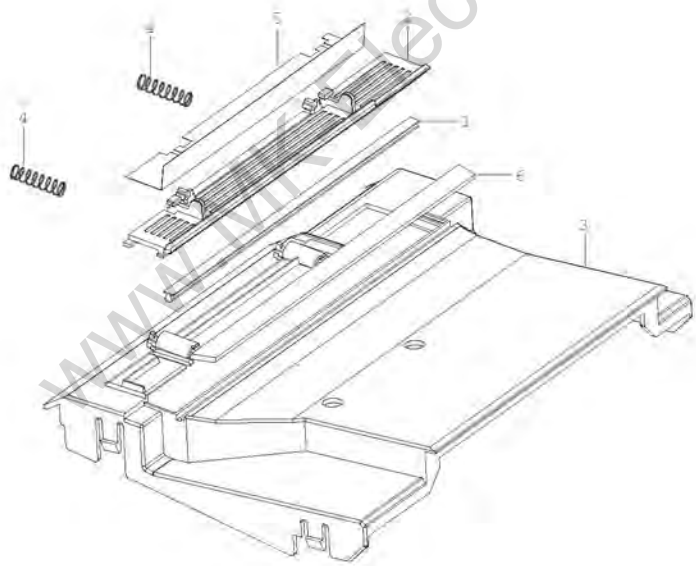
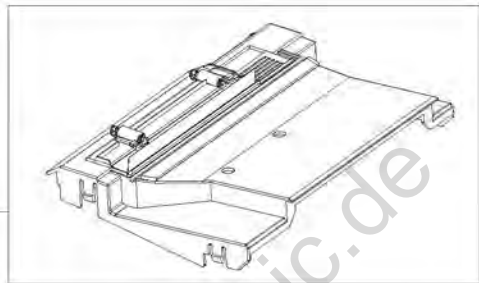
0



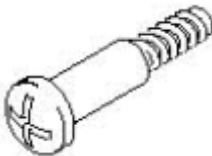





www.makerelectronic.de












Hardware (Screws)

Type/Style	Size/ Length (mm)
	M3 x 10
	M3 x 6
	M3 x 10
	M3 x 12
	M3 x 6
	M3 x 8

Type/Style	Size/ Length (mm)
	M4 x 10
	M4 x 6
	M2 x 6
	M3 x 10
	M3 x 6