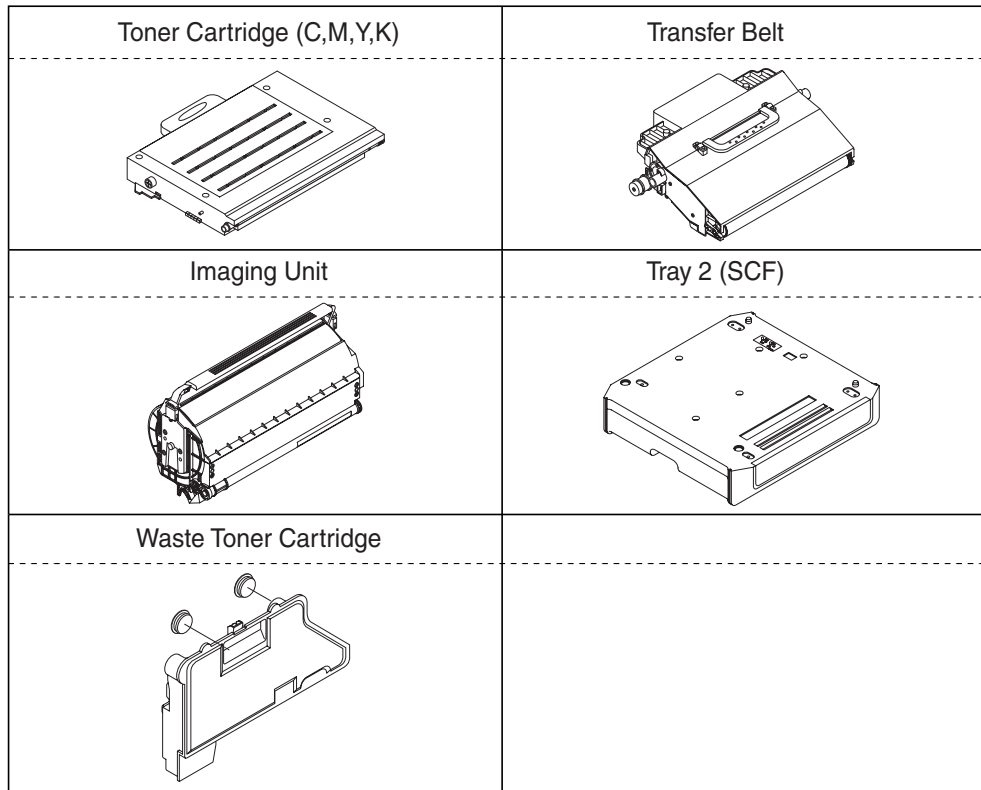


9 Parts List

Contents

- 9.0 Consumables, Routine Maintenance Items and Options
- 9.1 Main Exploded View
- 9.2 Front Cover
- 9.3 Top Cover
- 9.4 DEVE Cover (Door A)
- 9.5 Exit Assembly
- 9.6 Duplex Assembly
- 9.7 DEVE Drive Assembly
- 9.8 Main Drive Assembly
- 9.9 Fuser Assembly
- 9.10 Paper Tray, Tray 1 (FCT)
- 9.11 Paper Tray, Tray 2 (SCT)
- 9.12 Optional 500-Sheet Feeder (SCF)
- 9.13 Main Frame
- 9.14 Front Frame Assembly
- 9.15 Rear Frame Assembly
- 9.16 Base Frame Assembly
- 9.17 MPT Assembly
- 9.18 Pickup Assembly
- 9.19 Feeder Assembly
- 9.20 Paper Guide Assembly
- 9.21 Transfer Belt Cam Assembly
- 9.22 Fuser Base Assembly
- 9.23 Xerox Kits and Accessories


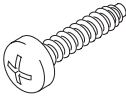








9.0 Consumables, Routine Maintenance Items and Options





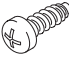
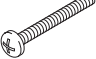



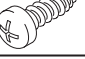



Item	Life based on 5% coverage	Part No.	Replaceable by
Black Standard Toner Cartridge	3,000	106R00679	User replaceable
Black High capacity	7,000	106R00684	
Cyan Standard Toner Cartridge	2,000	106R00676	User replaceable
Cyan High capacity	5,000	106R00680	
Yellow Standard Toner Cartridge	2,000	106R00678	User replaceable
Yellow High capacity	5,000	106R00682	
Magenta Standard Toner Cartridge	2,000	106R00677	User replaceable
Magenta High capacity	5,000	106R00681	
Imaging Unit	50,000 images	108R00593	User replaceable
Transfer Belt	50,000 images	108R00594	User replaceable
500-Sheet Feeder	N/A	119650600	
Waste Toner Cartridge	3,000 to 5,000 pages (color 5%)	106R00683	User replaceable

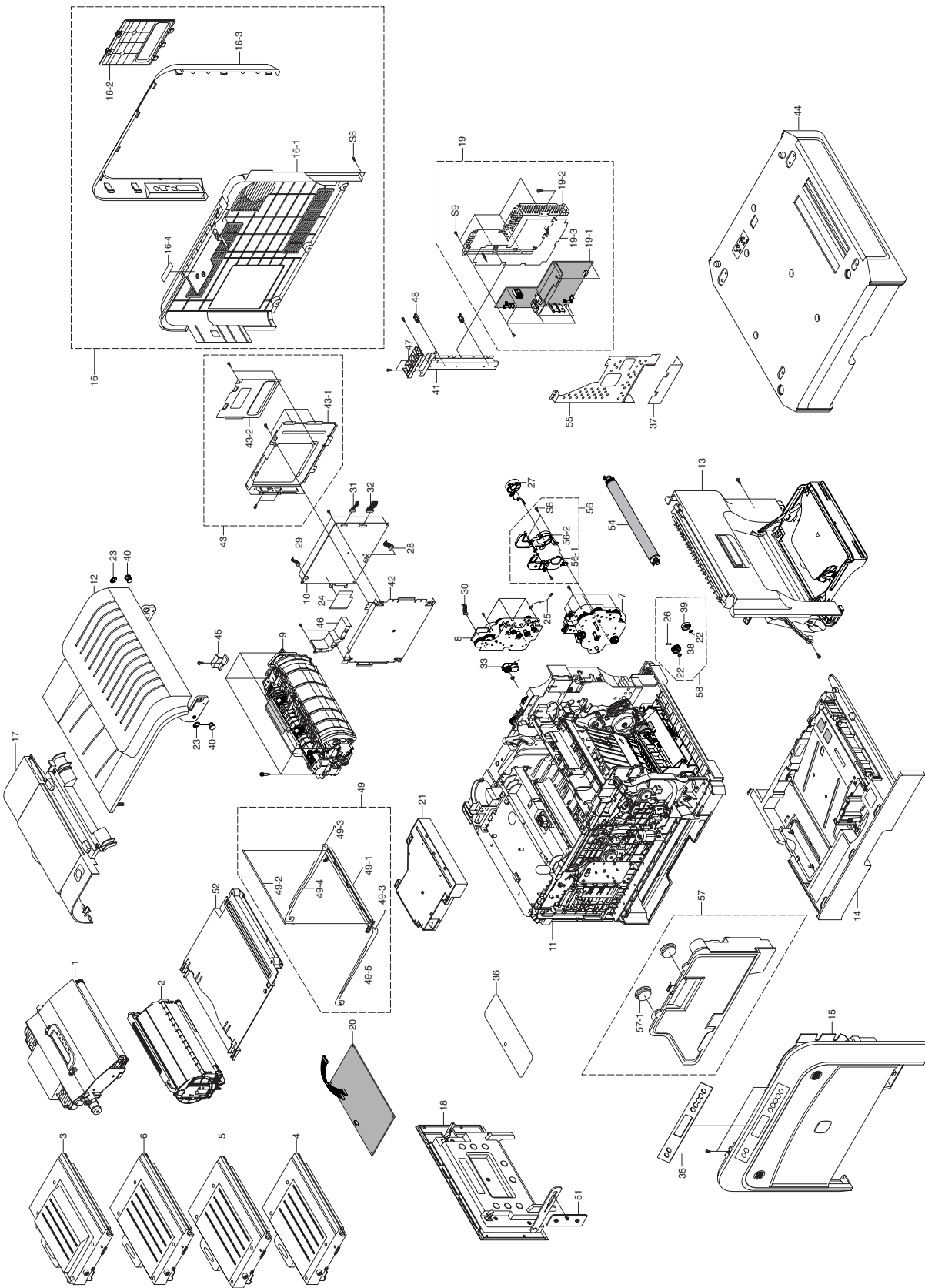
***The Fuser and Transfer Roller are Customer Replaceable Spare Parts, See 9.1 Main Exploded View**

Screws Used in the Printer (Hardware Kit)

NO	DESCRIPTION		SPEC
S1	SCREW-MACHINE		2.6*4, GOLD
S2	SCREW-TAPPING		4*15, GOLD
S3	SCREW-TAPPING		3*8, GOLD
S4	SCREW-TAPTITE		2.6*6, GOLD
S5	SCREW-TAPTITE		3*8, BLACK
S6	SCREW-TAPTITE		2*10, GOLD
S7	SCREW-TAPTITE		3*6, GOLD
S8	SCREW-TAPTITE		3*10 SILVER
S9	SCREW-TAPTITE		3*6, GOLD
S10	SCREW-ASSY MACH		3*6, GOLD

NO	DESCRIPTION		SPEC
S11	SCREW-TAPTITE		3*6, GOLD
S12	SCREW-TAPTITE		3*8, BLACK
S13	SCREW-MACHINE		3*8, SILVER
S14	SCREW-TAPTITE		4*10 SILVER
S15	SCREW-TAPTITE		3*6, GOLD
S16	SCREW-MACHINE		2*16, BLACK
S17	SCREW-TAPTITE		4*6, YELLOW
S18	SCREW-SPICIAL		3*10, BLACK
S19	SCREW-TAPTITE		4*6, SILVER
S20	SCREW-TAPTITE		3*12, YELLOW
S21	COVER DIME SCREW		EMBERGOLD

9.1 Main Exploded View



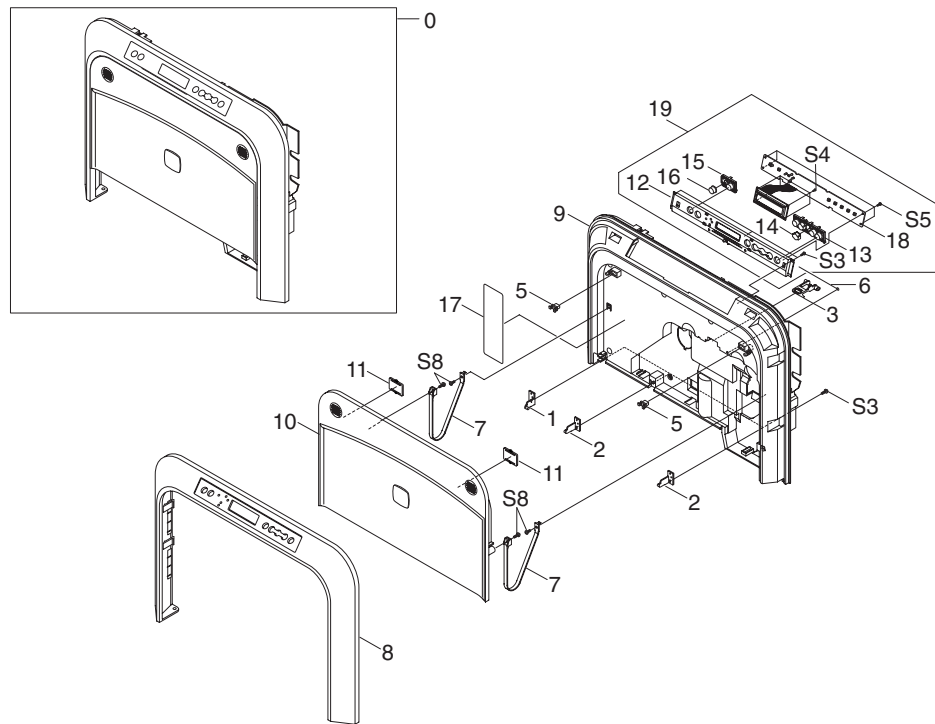
Main Assembly Parts List 9.1

No.	Part number	Qty	Part Name and (part description)
0	N/S		Set_Xerox
1	108R00594	1	Transfer Belt
2	108R00593	1	Imaging Unit
3	106R00679	1	Standard Capacity Black Toner Cartridge
	106R00684	1	High Capacity Black Toner Cartridge
4	106R00676	1	Standard Capacity Cyan Toner Cartridge
	106R00680	1	High Capacity Cyan Toner Cartridge
5	106R00677	1	Standard Capacity Magenta Toner Cartridge
	106R00681	1	High Capacity Black Magenta Cartridge
6	106R00678	1	Standard Capacity Yellow Toner Cartridge
	106R00682	1	High Capacity Yellow Toner Cartridge
7	116-1850-00	1	Main Drive ASM
8	116-1851-00	1	DEVE Drive ASM
9	116-1579-00	1	Fuser 230V (Customer Replaceable Spare)
	116-1567-00	1	Fuser 110V (Customer Replaceable Spare)
10	116-1852-00	1	Main Controller Board
11		1	Main Frame
12	116-1853-00	1	Exit ASM
13	116-1928-00	1	Duplex ASM
14	116-1854-00	1	Paper Tray, Tray 1 (FCT)
15		1	Front Cover
16	116-1855-00	1	Rear Cover ASM
16-1		1	Cover Rear
16-2		1	Cover Rear Deco
16-3		1	Cover Open Board
16-4		1	Label (P)-Rear
16-S8		1	Screw
17	116-1856-00	1	Top Cover ASM
18	116-1857-00	1	DEVE Cover ASM
19	116-1859-00	1	LVPS (SMPS) ASM, 230 V
	116-1858-00	1	LVPS (SMPS) ASM, 110 V
19-1		1	LVPS (SMPS) V2-220V
		1	LVPS (SMPS) V1-110V
19-2		1	Bracket LVPS (SMPS)
19-3		1	Shield - LVPS (SMPS)
19-S9		1	Screw-Taptite
20	116-1860-00	1	HVPS
21	116-1861-00	1	Laser Unit (LSU)
22		2	Plain Washer
23	P/O hardware kit	2	E-ring
24	116-1915-00	1	Sheet ECU Board (Main Board Shield)
25		1	Ground Harness LIU
26		1	ICT-PIN ADF
27	116-1863-00	1	Fuser Fan
28	116-1929-00	1	CBF Harness-Main Laser (LSU)
29	116-1930-00	1	CBF Harness-Main Panel (Control Panel)
30	116-1931-00	1	CBF Harness-DEVE Motor
31	116-1932-00	1	CBF Harness-Main Motor

Parts List

No.	Part number	Qty	Part Name and (part description)
32	116-1933-00	1	Harness-Main LVPS (SMPS)
33	116-1934-00	1	Clutch Cam Solenoid
34		1	Bushing 8/5
35	116-1864-00	1	Sheet Cover Front OPE (Control Panel Cover)
36		1	HVPS Shield
37		1	LVPS (SMPS) Cover
38		1	OPC Drive Gear 2_Z40
39		1	Cam-T2 Engage
40		2	Shaft Cover Exit Hinge
41		1	Bracket Guide
42		1	Bracket Upper
43		1	Bracket Lower
43-1		1	Bracket Bracket Upper
43-2		1	Bracket Option
43-S9		2	Screw
44	119-6506-00	1	500-Sheet Feeder (SCF)
45		1	Cover Sensor Base
46		1	Harness C
47	116-1936-00	1	Harness D
48		1	Cable Clamp
49	116-1868-00	1	Laser (LSU) Cleaner ASM
49-1		1	Shutter Laser Cleaner
49-2		1	Shaft Laser Cleaner
49-3		1	E-Ring Laser Cleaner
49-4		1	Plate-Link Rear
49-5		1	Plate-Link Front
50		1	DEVE Open Link
51		1	DEVE Open Link Guide
52	116-1865-00	1	Cover-LSU (Laser Cover)
53	116-1885-00	1	Terminals
54	116-1566-00	1	Transfer Roller (T2) (Customer Replaceable Spare)
55		1	Bracket LVPS (SMPS) Cover
56		1	Fuser Unit Duct
56-1		1	Fuser Duct Lower
56-2		1	Fuser Duct Upper
56-S8		1	Screw-Taptite
57		1	Waste Toner Cartridge
57-1		1	Waste Toner Cover Upper
57-2		1	Waste Toner Cover Lower
57-3		2	Toner Cap OPC
58	116-1910-00	1	Main Drive Hardware Kit
S2	P/O Screw Kit	2	Screw-Tapping
S5	P/O Screw Kit	6	Screw-Taptite
S8	P/O Screw Kit	50	Screw-Taptite
S9	P/O Screw Kit	21	Screw-Taptite
S14	P/O Screw Kit	11	Screw-Taptite
S15	P/O Screw Kit	2	Screw-Machine

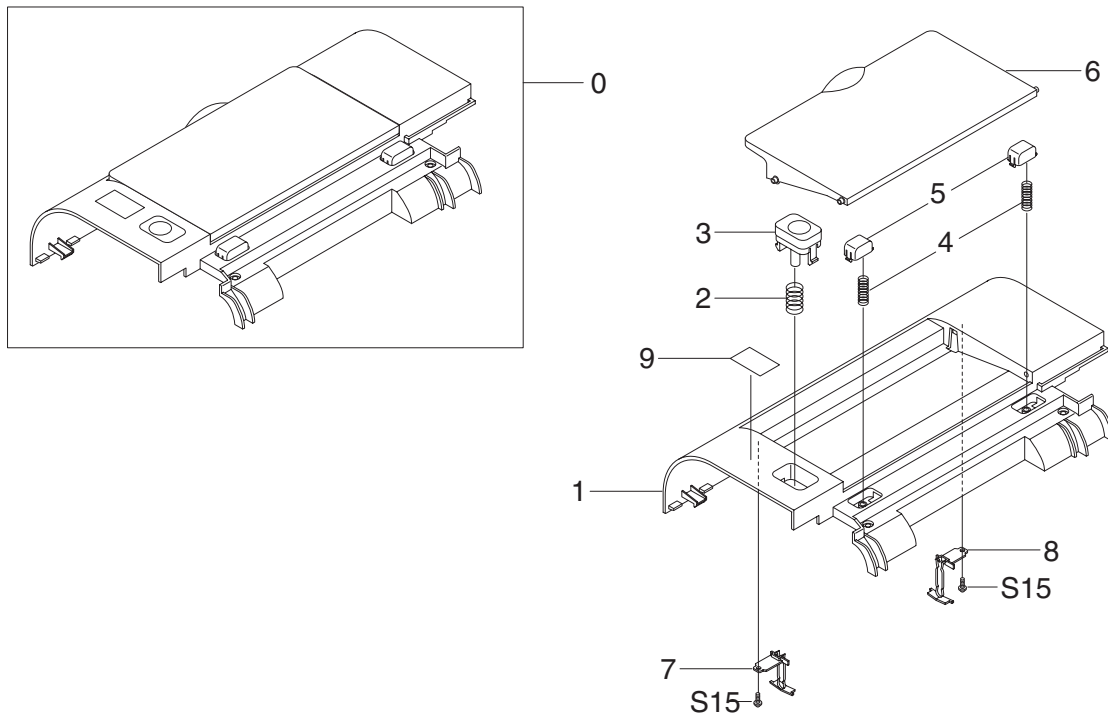
9.2 Front Cover



Front Cover 9.2

No.	Part number	Qty	Part Name and (part description)
0		1	Xerox Front Cover
1		1	Cover-Front Hinge F
2		2	Cover Front Hinge R
3	116-1917-00	1	Waste Cartridge Lock
5	116-1937-00	2	Front Cover Lock
6	116-1918-00	1	Waste Cartridge Lock Spring
7		2	Strap
8	116-1938-00	1	Front Cover Deco
9	116-1869-00	1	Front Cover Inner
10	116-1870-00	1	Front Cover
11	116-1871-00	2	Front Cover Latch
12		1	Cover OPE Frame
13		1	OPE Key 1
14		1	OPE Key 1 Cap
15		1	OPE Key 2
16		1	OPE Key 2 Cap
17		1	Label(P) Front Inner
18		1	Sub-Panel Board
19	333-4414-00	1	Front Panel Assembly (Control Panel)
S4	P/O Screw Kit	2	Screw-Taptite
S5	P/O Screw Kit	6	Screw-Taptite
S8	P/O Screw Kit	4	Screw-Taptite
S3	P/O Screw Kit	4	Screw-Tapping

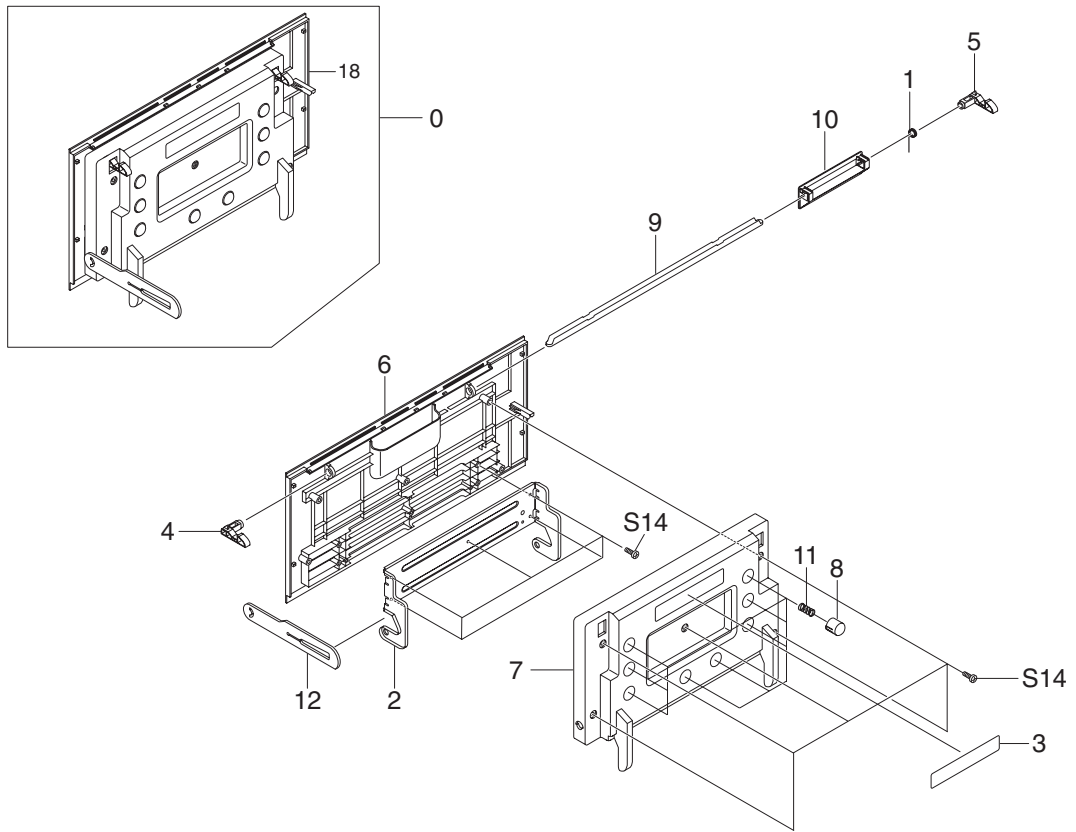
9.3 Top Cover



Top Cover 9.3

No.	Part number	Qty	Part Name and (part description)
0	116-1856-00	1	Top Cover ASM
1		1	Cover Top
2		1	Spring-CS
3		1	Cover Top Button
5		2	Cover Top Opener
6		2	Cover Top Stacker
7		1	Stopper-Stacker F
8		1	Stopper-Stacker R
9		1	Lavel(P)-Top
S15	P/O Screw Kit	2	Screw-Taptite

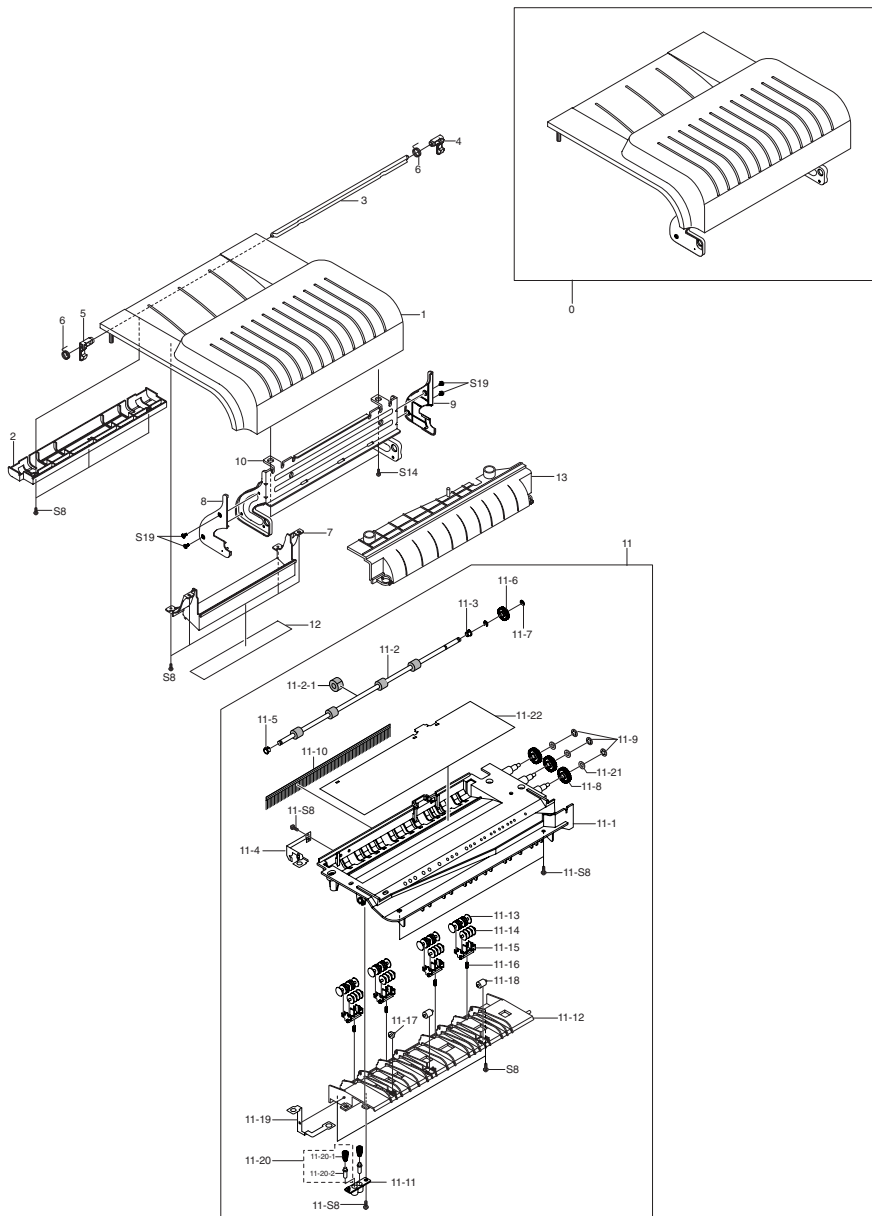
9.4 DEVE Cover (Door A)



DEVE Cover (Door A) 9.4

No.	Part number	Qty	Part Name and (part description)
0	116-1857-00	1	DEVE Cover ASM (Door A)
1		1	Spring TS
2		1	Cover DEV Lock Bar
3		1	Label(P) DEVE Cover
4		1	Cover Dup Locker F
5		1	Cover Dup Locker R
6		1	Cover DEVE
7		1	Cover DEVE Inner
8		8	Cover DEV Spring CAp
9		1	Cover DEVE Hinge
10		1	Cover Duplex Handle
11		8	Spring CS
12		1	DEVE Open Link
S14	P/O Screw Kit	10	Screw-taptite

9.5 Exit Assembly

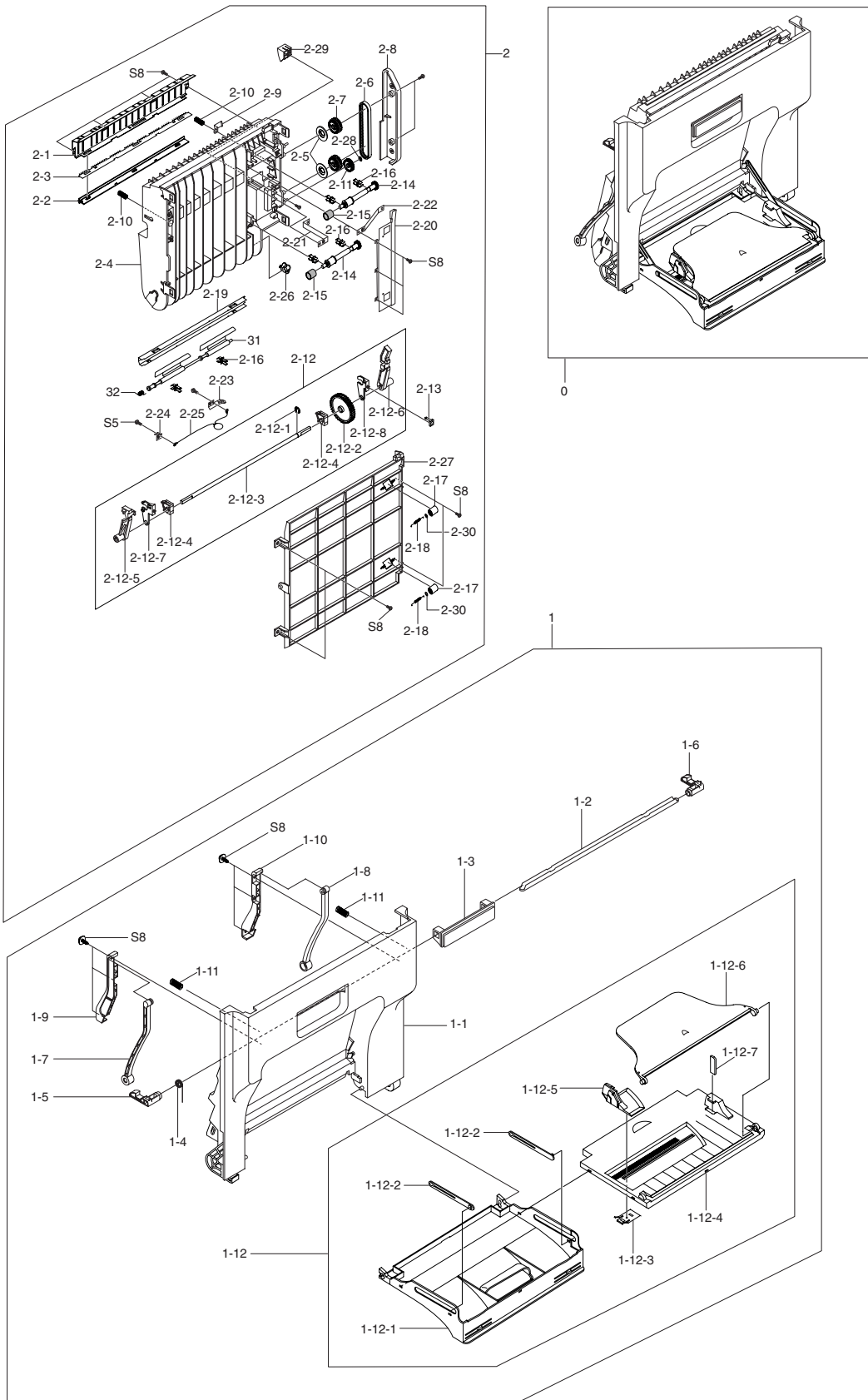


Exit Assembly 9.5

No.	Part number	Qty	Part Name and (part description)
0	116-1853-00	1	Exit ASM
1		1	Cover Exit
2		1	C/Exit Lock Cover
3		1	Cover Exit Bar
4		1	Cover Dup Locker F
5		1	Cover Dup Locker R
6		2	Spring TS
7		1	Cover Exit Guide
8		1	Cover Exit F Cap

No.	Part number	Qty	Part Name and (part description)
9		1	Cover Exit R Cap
10		1	Cover Exit Hinge
11	116-1939-00	1	Exit Frame ASM
11-1		1	Guide Exit Upper
11-2		1	Roller Exit Drive
11-2-1		1	Roller Exit Drive Idle
11-3		1	Bearing Large DP
11-4		1	Ground Exit
11-5		1	Bearing Large DP
11-6		1	Gear Duplex
11-7	P/O Hardware Kit	1	C-Ring
11-8		3	Gear-Dup Idle
11-9	P/O Hardware Kit	3	CS Ring
11-10		1	Brush Antistatic
11-11		1	Holder Ground Ball
11-12		1	Guide Exit Lower
11-13		4	Roller FD F
11-14		4	Roller FD R
11-15		4	Holder Exit
11-16		4	Spring ETC Exit Lower Idle
11-17		1	Roller Exit Idle
11-18		2	Roller Exit F_up
11-19		1	Ground Exit Plate
11-20		2	Unit-Terminal:L
11-20-1		1	Spring ETC-HV Small
11-20-2		1	Shaft HV Large
11-21		3	Spring-ETC Clutch
11-22		1	Sheet-Exit Upper
11-S8		4	Screw-Taptite
12		1	Label(P)-Exit
13		1	Guide-Exit Rear
S8	P/O Screw Kit	12	Screw-Taptite
S14	P/O Screw Kit	2	Screw-Taptite
S19	P/O Screw Kit	4	Screw-Taptite

9.6 Duplex Assembly



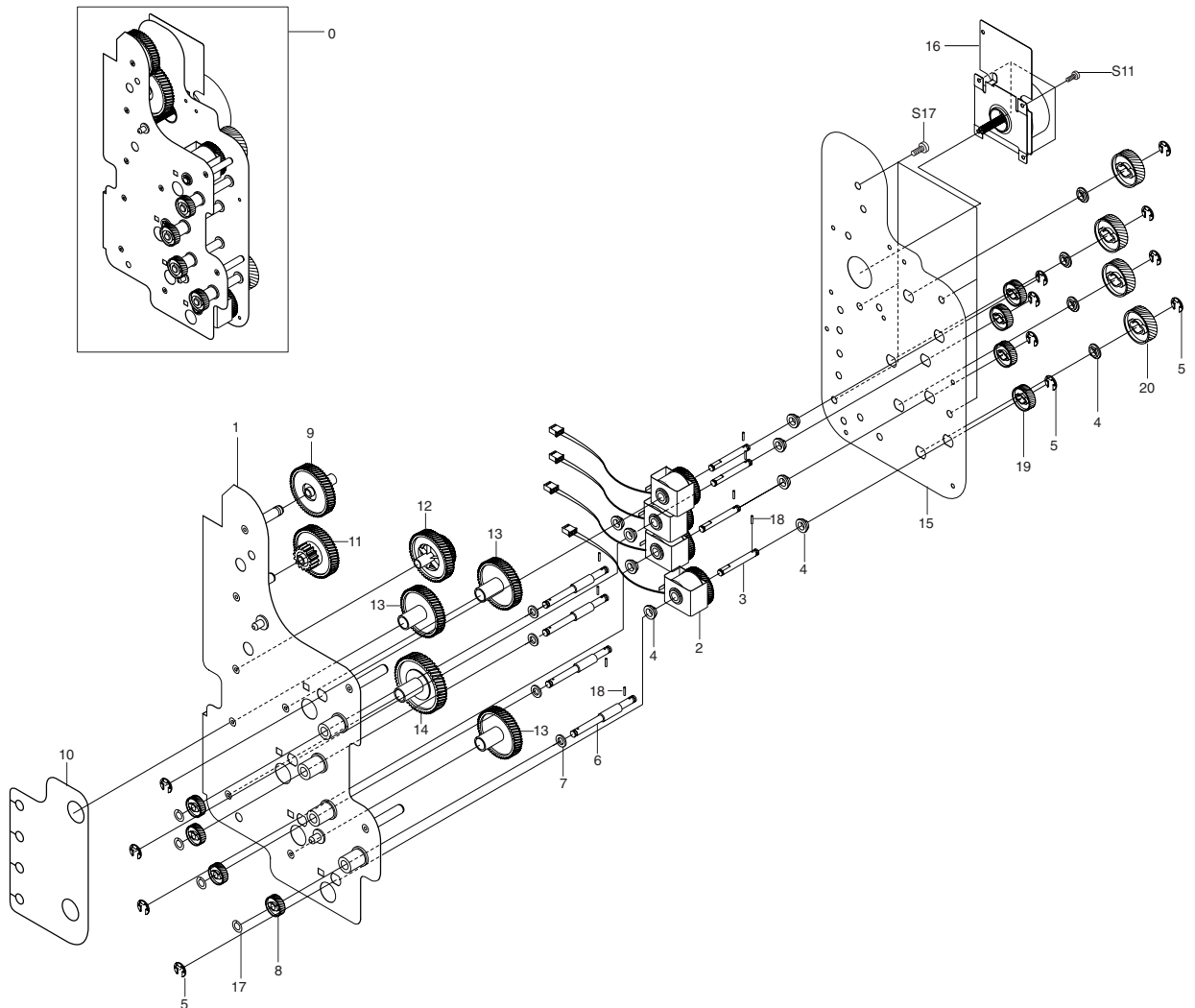
Duplex Assembly 9.6

No.	Part number	Qty	Part Name and (part description)
0	116-1928-00	1	Duplex ASM
1		1	Cover Right
1-1		1	Cover Duplex
1-2		1	Cover Dup Lock Shaft
1-3		1	Cover Duplex Handle
1-4		1	Spring TS
1-5		1	Cover Dup Locker F
1-6		1	Cover Dup Locker R
1-7		1	Cover Duplex Link
1-8		1	Cover Duplex Link R
1-9		1	Cover Duplex Rail
1-10		1	Cover Duplex Rail R
1-11		2	Spring EX
1-12	116-1877-00	1	MPT Tray ASM (Multi-Purpose Tray)
1-12-1		1	Tray Case MPT
1-12-2		2	Tray Link MPT
1-12-3		1	Guide Latch
1-12-4		1	Tray Cover MPT
1-12-5		1	Side Guide MPT
1-12-6		1	Tray Exit MPT
1-12-7		1	Label(R)Height MPT
2	116-1878-00	1	Duplex Unit
2-1		1	Bracket Guide A
2-2		1	Holder Saw
2-3		1	Plate Saw
2-4		1	Frame Duplex
2-5		2	Pulley Belt
2-6		1	Belt Timing
2-7		2	Gear-Duplex Idler_Z25
2-8		1	Cover Belt
2-9		1	Bracket Ground TR
2-10		2	Spring ES
2-11		1	Gear-MPT/Dup Drive
2-12		1	Unit-T2_Assy
2-12-1		1	E-Ring
2-12-2		1	Gear Transfer Idler Z47
2-12-3		1	Shaft Guide TR
2-12-4		2	Holder Transfer
2-12-5		1	Lever TR Front
2-12-6		1	Lever TR Rear
2-12-7		1	Link TR Front
2-12-8		1	Link TR Rear
2-13		1	Bracket Ground TR1
2-14		2	Shaft Dup Driver
2-15		2	Rubber Exit RPR
2-16		2	Bushing TX(B4)
2-17		2	Roller Exit

Parts List

No.	Part number	Qty	Part Name and (part description)
2-18		2	Fuser Exit Spring
2-19		1	Bracket Guide B
2-20		1	Bracket Guide Duplex
2-21		1	Bracket Ground B
2-22		1	Bracket Ground A
2-23		1	Bracket Ground D
2-24		1	Bracket Ground C
2-25		1	CBF-Harness Control Panel Ground (OPE)
2-26		1	Bushing Feed
2-27		1	Guide Lower Duplex
2-28	P/O Hardware Kit	1	Ring CS
2-29		1	Guide Feed
2-30		1	Poly Washer
S5	P/O Screw Kit	19	Screw-Taptite
S8	P/O Screw Kit	19	Screw-Taptite

9.7 DEVE Drive Assembly



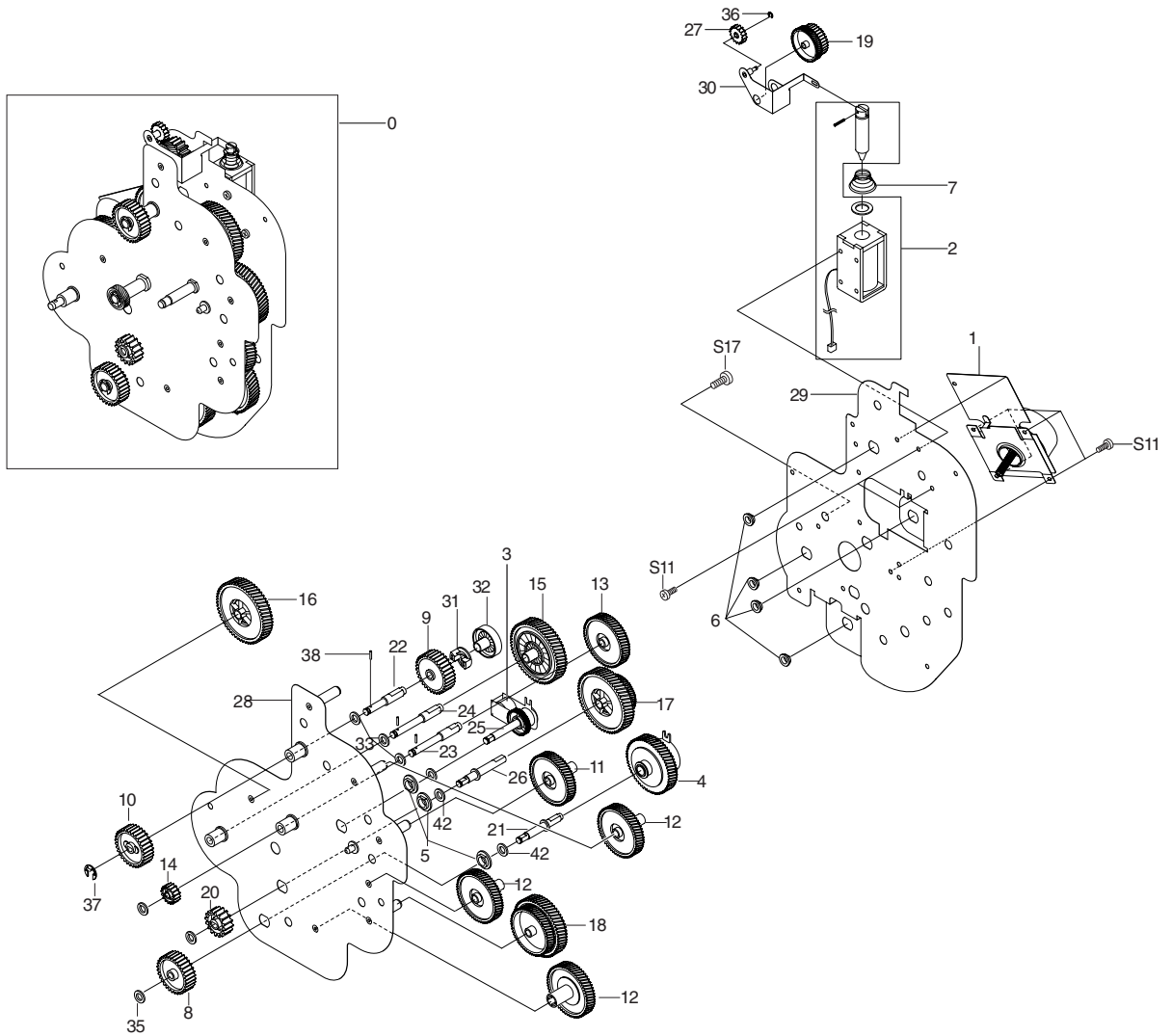
DEVE Drive Assembly 9.7

No.	Part number	Qty	Part Name and (part description)
0	116-1851-00	1	DEVE Drive ASM
1		1	Bracket DEVE Front
2		4	Clutch Spring DEVE
3		4	Shaft DEVE Clutch
4		12	Bushing D6/L4
5	P/O Hardware Kit	12	E-ring
6		4	Shaft DEVE Drive
7		4	Washer plain
8		4	Gear DEVE DDrive 2_Z20
9		1	Gear Idle Z51
10		1	Harness Guide
11		1	Gear ITB Clean RDCN
12		1	Gear DEVE RDCN

Parts List

No.	Part number	Qty	Part Name and (part description)
13		3	Gear DEVE Idle_Z41
14		1	Gear DEVE Idle_Z53
15		1	Bracket DEVE Rear
16	116-1880-00	1	Motor BLDC-DEVE (DEVE Motor)
17		4	Washer Plain
18		12	PIN ADF
19		4	Gear DEVE Drive 1_Z25
20		4	Gear DEVE Clutch 2_Z33
S11		4	Screw-Taptite
S17		5	Screw-Taptite

9.8 Main Drive Assembly



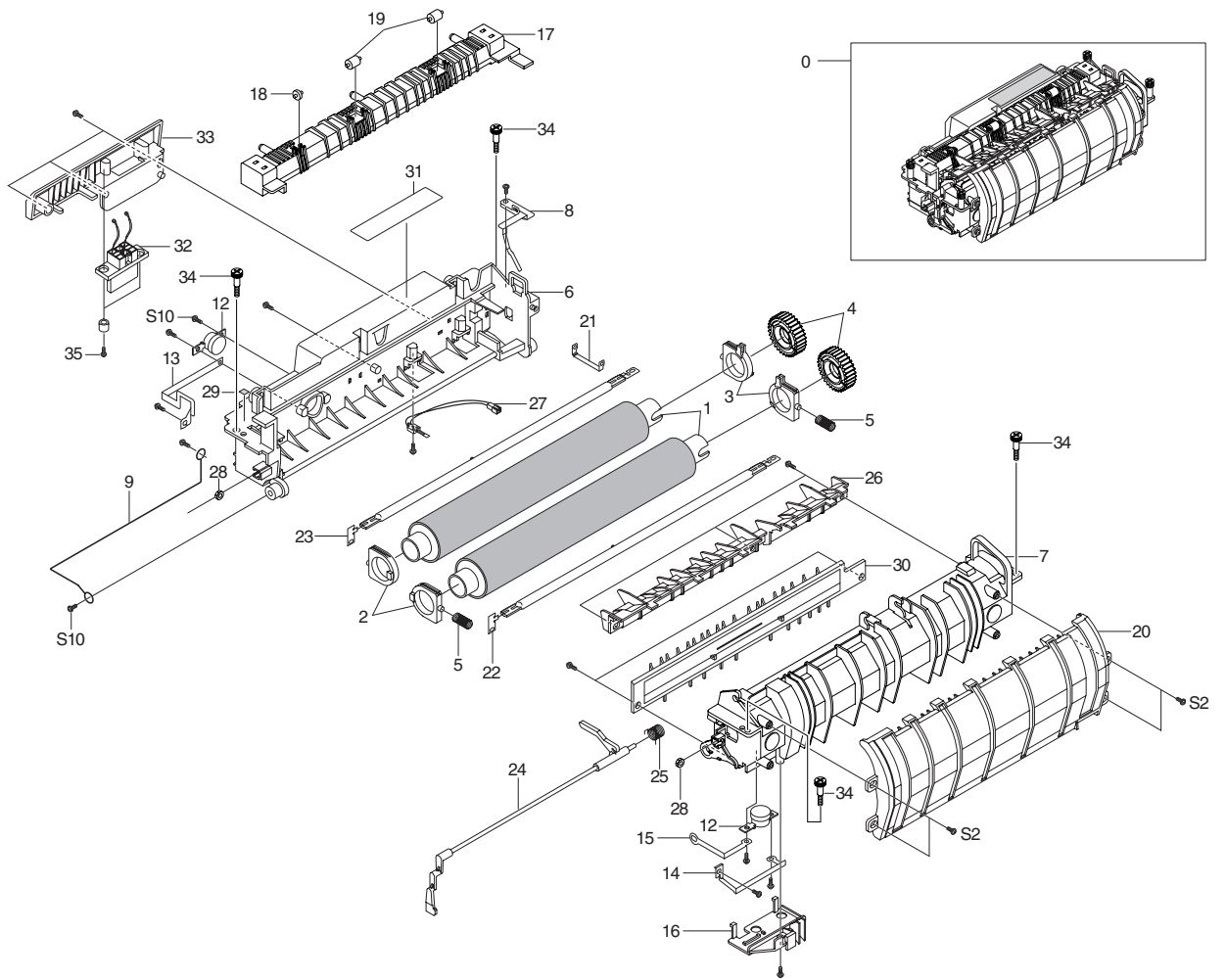
Main Drive Assembly 9.8

No.	Part number	Qty	Part Name and (part description)
0	116-1850-00	1	Main Drive ASM
1	116-1880-00	1	Motor BLDC-Main Drive (Main Motor)
2		1	Duplex Solenoid
3	116-1934-00	1	Clutch Cam Solenoid
4		1	Clutch Electric Feed
5		3	Busing 8/5
6		6	Bushing D6/L4
7	P/O Hardware Kit	1	Spring ETC Solenoid DP
8		1	Gear Feed Drive_Z37
9		1	Gear Fuser Drive 1_Z47
10		1	Gear Fuser Drive 2_Z30

Parts List

No.	Part number	Qty	Part Name and (part description)
11		1	Gear Idle Z51
12		3	Gear Idle Z53
13		1	Gear ITB (Transfer Belt) Drive 1_Z90
14		1	Gear ITB Drive 2_Z30
15		1	Gear OPC Drive 1_Z120
16		1	Gear OPC RDCN_Z120/Z60
17		1	Gear RDCN Z110/Z37
18		1	Gear RDCN Z120/Z60
19		1	Gear Swing Drive
20		1	Gear T2 Drive Z_25
21		1	Shaft Feed Drive
22		1	Shaft Fuser Drive
23		1	Shaft ITB (Transfer Belt) Drive
24		1	Shaft OPC (Imaging Unit) Drive
25		1	Shaft T2 Cam
26		1	Shaft T2 Drive
27		1	Gear Exit/ U,ID
28		1	Bracket Main Front
29		1	Bracket Main Rear
30		1	Link Solenoid
31		1	Hub Clutch
32		1	Clutch
33		3	Washer Plain
34		3	Washer Plain
35		3	Washer Plain
36	P/O Hardware Kit	1	C-Ring
37		1	E-Ring
38		2	ICT-PIN ADF
S11	P/O Screw Kit	6	Screw-Taptite
S17	P/O Hardware Kit	4	Screw-Taptite

9.9 Fuser Assembly



Fuser Assembly 9.9

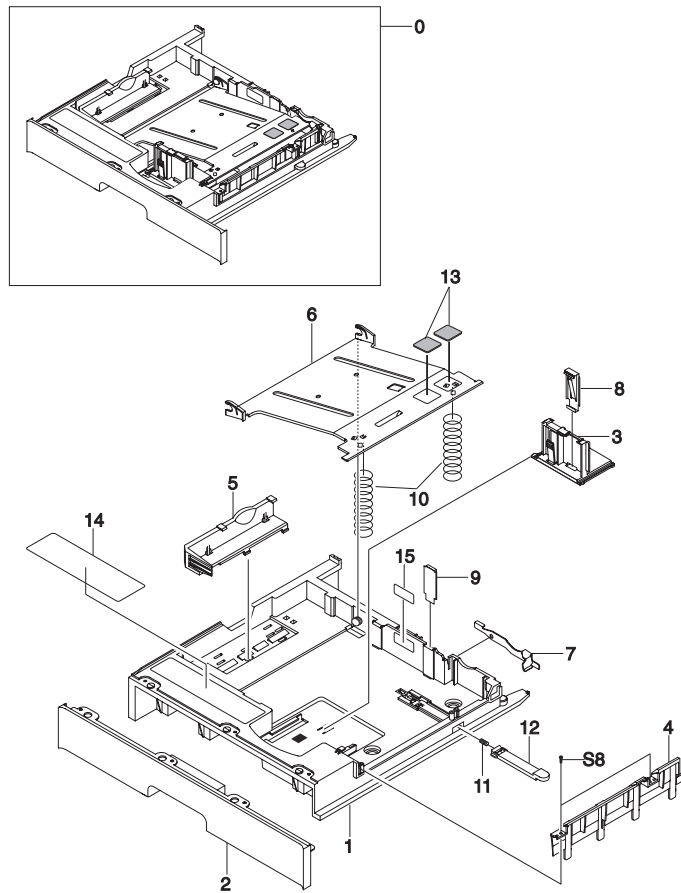
No.	Part number	Qty	Part Name and (part description)
0	119-1579-00	1	230V Fuser Assembly
	116-1567-00	1	110V Fuser Assembly
1		2	Roller-Heat
2		2	Bearing Fuser F
3		2	Bearing Fuser Gear
4		2	Gear Fuser Z35
5		2	Spring-ETC-PR
6		1	Fuser Upper
7		1	Fuser Lower
8		1	Ground Fuser
9		1	NPR Electrode AC Wire
12		2	Thermostat
13		1	NPR Electrode F
14		1	NPR Electrode PR
15		1	NPR Electrode AC Plate

Parts List

No.	Part number	Qty	Part Name and (part description)
16		1	Cover Thermostat
17		1	Cover Cleaning
18		1	Roller Exit Idle
19		2	Roller Exit F_Up
20		1	Guide DP Side
21		1	NPR Electrode Connector
22		1	Halogen Lamp 300w (110V/220V)
23		1	Halogen Lamp 500W (110V/220V)
24		1	Actuator Exit
25		1	Spring ETC Actuator
26		1	Guide Output
27		1	Thermistor NTC
28		4	Nut Hexagon
30		1	Guide Input
31		1	Label(P) Fuser 110V/220V
32		1	CBF Harness Fuser
33		1	Frame Drawer Connector
34		4	*Cover Dime Screw
35		2	Screw-Taptite
S10	P/O Screw Kit	10	Screw-Assembly Machine
S8	P/O Screw Kit	13	Screw-Taptite

* 4 Cover Dime Screws are included with a replacement Fuser.

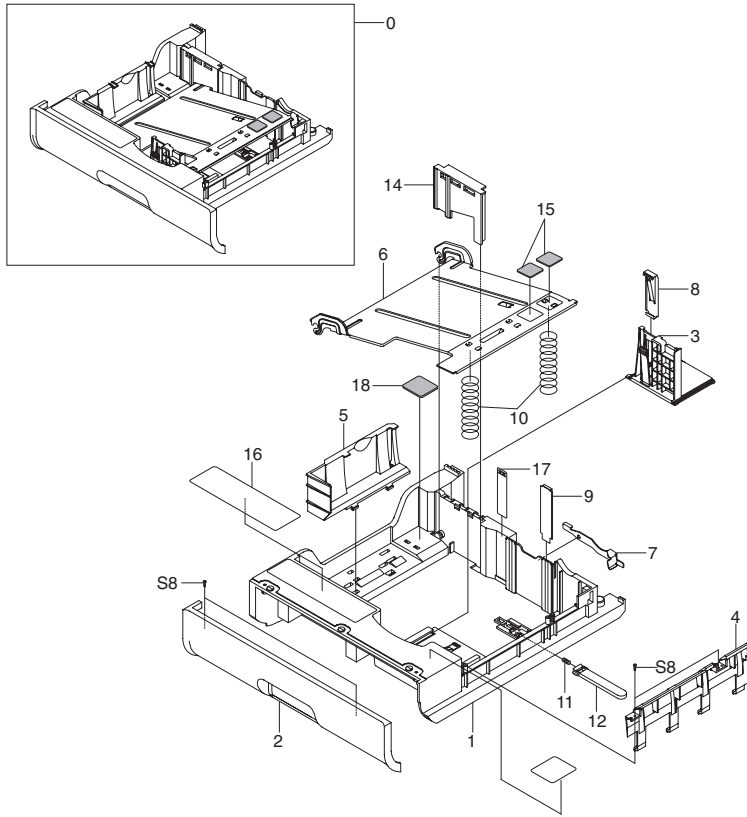
9.10 Paper Tray, Tray 1 (FCT)



Paper Tray, Tray 1 (FCT) Assembly 9.10

No.	Part number	Qty	Part Name and (part description)
0	116-1854-00	1	Paper Tray, Tray 1 (FCT)
1		1	Frame Cassette
2		1	Cover Cassette
3		1	Guide Side CST
4		1	Guide Front CST
5		1	Guide Rear
6		1	Plate K/UP
7		1	Finger
8		1	Spring Plate Guide
9		1	Guide Plate Paper
10		2	Spring
11		1	Spring Locker
12		1	Locker Plate
13		2	RPR Pad CST
14		1	Label(R)-Height Xerox
15		1	Label(P)-Instruction
S8	P/O Screw Kit	2	Screw_Taptite

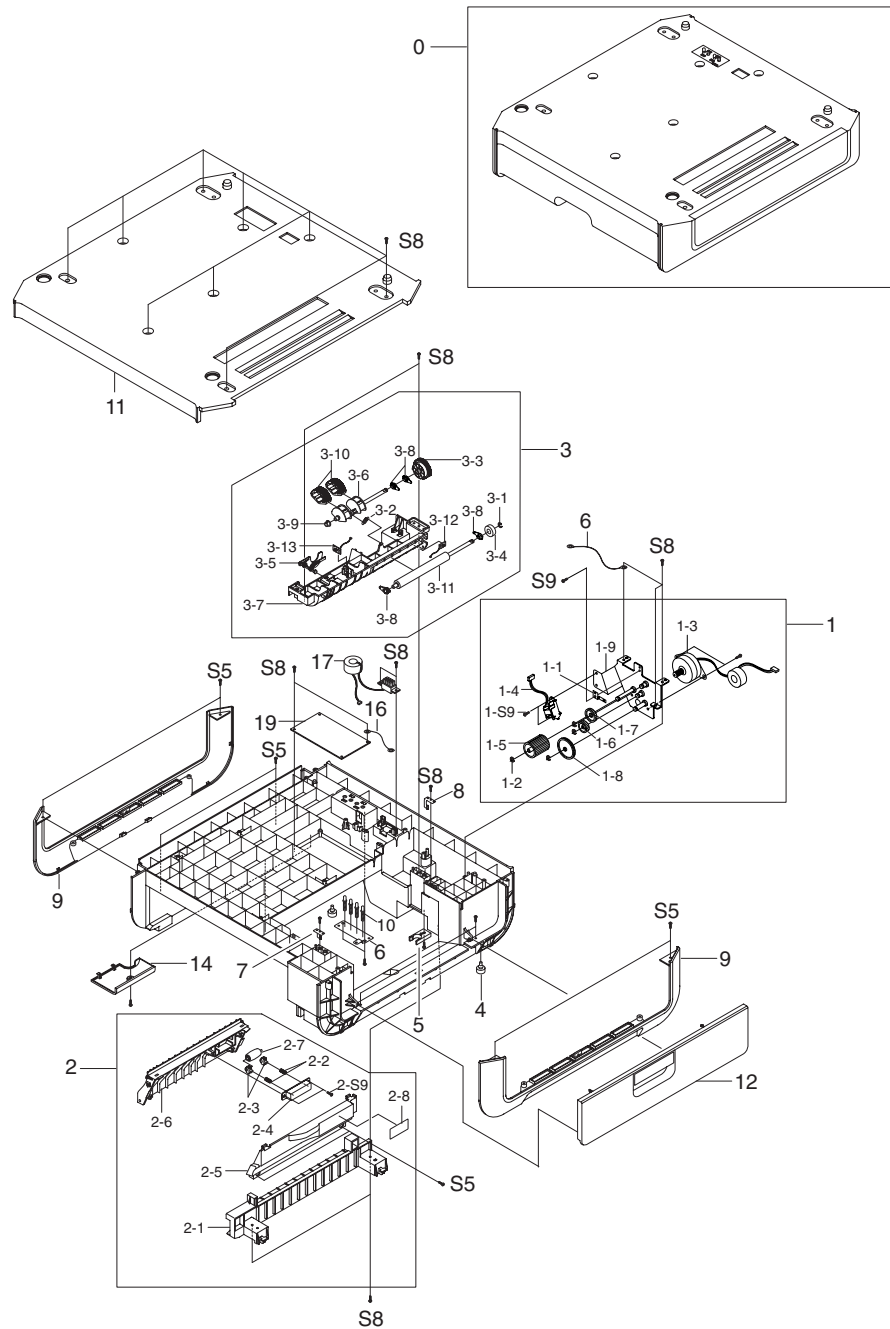
9.11 Paper Tray, Tray 2 (SCT)



Paper Tray, Tray 2 (SCF) Assembly 9.11

No.	Part number	Qty	Part Name and (part description)
0	116-1940-00	1	Paper Tray, Tray 2 (SCT)
1		1	Frame Cassette
2		1	Cover Cassette
3		1	Guide Side CST
4		1	Guide Front CST
5		1	Guide Rear
6		1	Plate K/UP
7		1	Finger
8		1	Spring Plate Guide
9		1	Guide Plate Paper
10		4	Spring CS
11		1	Spring Locker Plate
12		1	Locker Plate
14		1	Side Guide
15		2	RPR Pad CST
16		1	Label(P) Instruction
17		1	Label(R)-Height CST
18		1	Label(P)-LTR/A4
19		1	Label(P)-Load CST
S8		4	Screw_Taptite

9.12 Optional 500-Sheet Feeder (SCF)



(SCF) Optional 500-Sheet Feeder Assembly 9.12

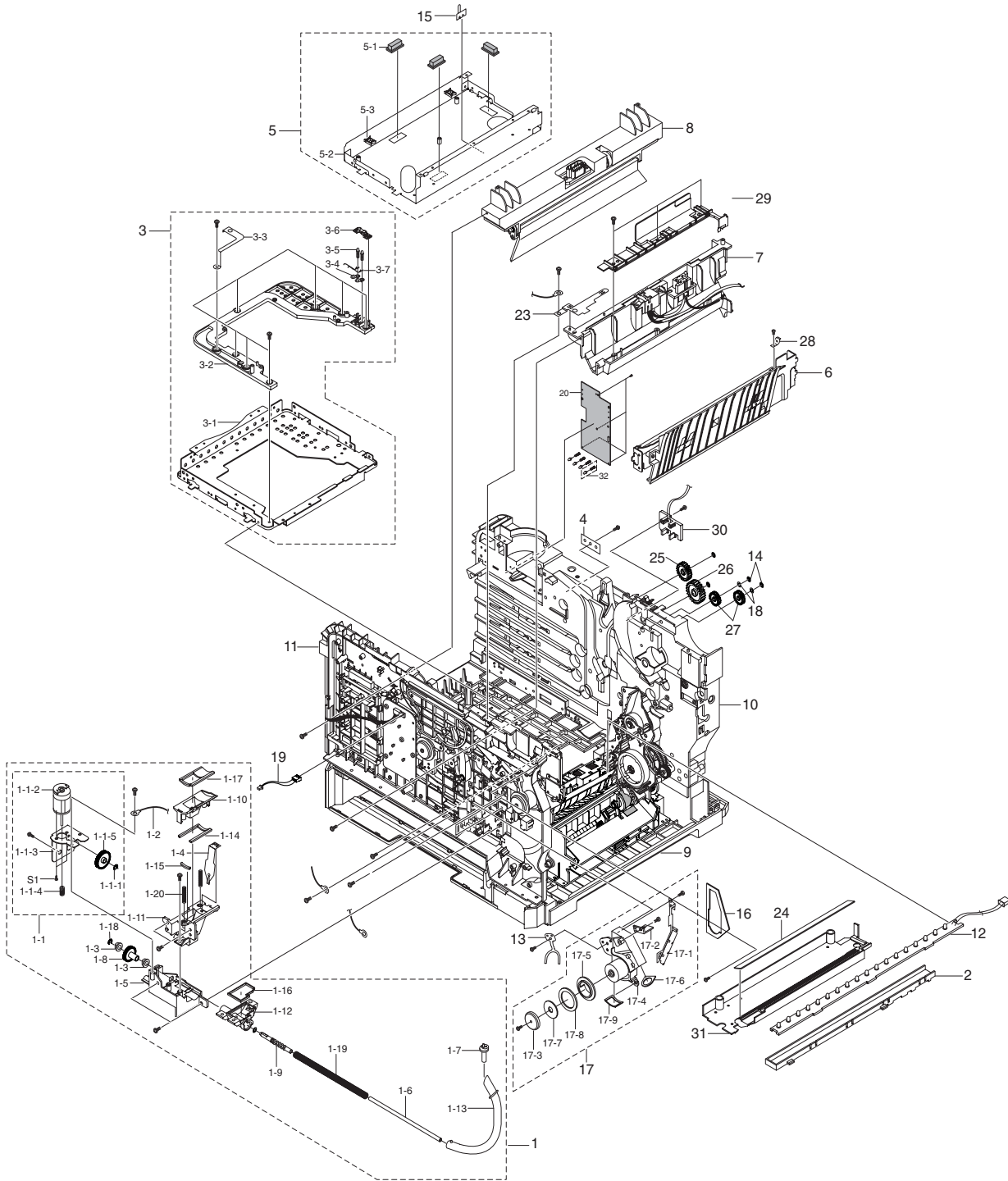
No.	Part number	Qty	Part Name and (part description)
0	119-6506-00	1	500-Sheet Feeder
1		1	HOU-Motor
1-1		1	Ground_Roller
1-2	P/O Hardware Kit	4	E-ring

Parts List

No.	Part number	Qty	Part Name and (part description)
1-3		1	Motor Step
1-4		1	Pick-up Solenoid
1-5		1	Gear P/UP DRV SCF
1-6		1	Gear idler Option
1-7		1	Gear idle Z30
1-8		1	Gear Idle SCF
1-9		1	Bracket Gear
S9		5	Screw_Taptite
2		1	Hou-Guide Lower SCF
2-1		1	Guide Lower Rail
2-2		2	Spring CS
2-3		2	Bushing Idle Roll-SCF-16
2-4		1	Holder Idle Roll-16
2-5		1	Cover Guide Lower
2-6		1	Guide Lower
2-7		1	Roller Idle
2-8		1	Label(P) Jam
S5		4	Screw-Taptite
3		1	HOU-Guide Upper SCF
3-1		1	E-ring
3-2		1	Spring Pickup
3-3		1	Gear-Pickup
3-4		1	Gear Feed
3-5		1	Actuator Empty
3-6		1	Shaft Pickup
3-7		1	Guide Upper
3-8		4	Bearing Shaft
3-9		1	Bushing P/U MPT
3-10		2	Rubber Pickup
3-11		1	Roller Feed
3-12		1	Board Sub SCF Cover Sensor
3-13		1	Board Sub SCF P_Empty Sensor
4		2	Foot ML80
5		1	Cam Catch
6		1	Plate Ground (A)
7		1	Plate Locker (L)
8		1	Plate Locker (R)
9		9	Base Deco
10		4	Unit Terminal TR L
11		1	Cover Top
12		1	Door Side
13		1	Frame Base
14		1	Cover Sensor

No.	Part number	Qty	Part Name and (part description)
16		1	Harness Driver Ground
17		1	Harness SCF_8P
18		1	Board SUB-SCF
S5	P/O Screw Kit	8	Screw-Taptite
S8	P/O Screw Kit	26	Screw-Taptite

9.13 Main Frame



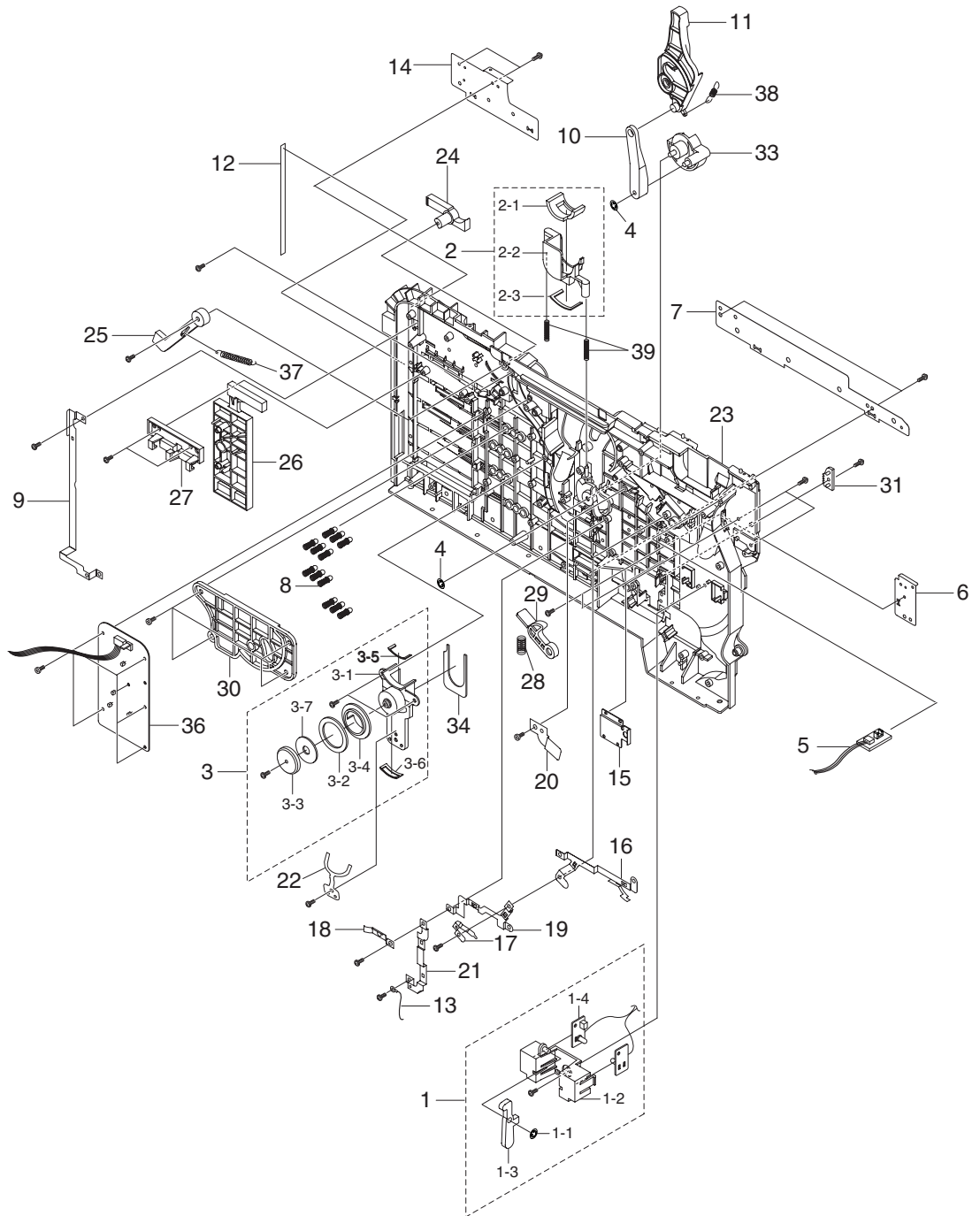
Main Frame 9.13

No.	Part number	Qty	Part Name and (part description)
1	116-1872-00	1	OPC Waste Toner Duct
1-1	116-1956-00	1	Waste Toner Motor ASM
1-1-S1		2	Screw-Machine
1-1-1	116-1957-00	1	E-ring (also in hardware kit)
1-1-2	116-1958-00	1	Waste Toner Motor-DC
1-1-3		1	Bracket Waste Toner Motor
1-1-4		1	Gear Worm Wheel Idle
1-1-5		1	Gear Worm Waste Toner
1-2		1	Harness Toner Ground
1-3		2	Bushing D6/L4
1-4		1	Vibrator Inlet Plate
1-5		1	Base M Waster Toner
1-6		1	Pipe Waste Bar
1-7		1	Cam M Waste Duct Outlet
1-8		1	Gear Worm Wheel Z35
1-9		1	Shaft M Waste Duct Inlet
1-10		1	Duct M Waste Lifter
1-11		1	Duct M Waste Toner Inlet 1
1-12		1	Duct M Waste Toner Inlet 2
1-13		1	Pipe Waste Transfer
1-14		1	Sponge Waste Lifter 1
1-15		1	Sponge Waste Lifter 2
1-16		1	Sponge Waste Duct OPC
1-17		1	Sponge Waste Cover
1-18	116-1957-00	1	E-Ring (also in hardware kit)
1-19		1	Spring CS
1-20		2	Spring CS
1-S8		6	Screw Taptite
2		1	Holder Eraser
3		1	LSU Guide Bracket
3-1		1	Bracket LSU
3-2		1	LSU Base
3-3		1	Ground LSU
3-4		2	IPR Plate OPC OEM
3-5	116-1885-00	2	Unit Terminals
3-6		1	Cover OEM Upper
3-7	116-1950-00	1	Harness Main OPC_OEM
3-S5	P/O Screw Kit	2	Screw-Taptite
3-S9	P/O Screw Kit	5	Screw-Taptite
4		1	Sheet HV Harness
5		1	Bracket HVPS
5-1		3	Guide HVPS Board
5-2		1	Bracket HVPS Lower
5-3		2	Cable Clamp
6		1	Guide paper T2
7		1	Fuser Base
8	116-1873-00	1	ITB Cam ASM (Transfer Belt Cam)

Parts List

No.	Part number	Qty	Part Name and (part description)
9		1	Frame Base
10		1	Frame Rear
11		1	Frame Front
12	116-1874-00	1	Erase Lamp
13		1	ShutterTension
14	P/O Hardware Kit	4	Ring CS
15		1	Cable Clamp
16	116-1919-00	1	Dust Cover OPC
17	116-1920-00	1	OPC Toner Housing
17-1		1	Vibration Plate Outlet
17-2		1	Bushing Waste Cam M
17-3		1	Cap Shutter Transfer Belt
17-4		1	Housing Transfer
17-5		1	Shutter Transfer OPC
17-6		1	Sponge Toner Cartridge
17-7		1	Sponge Cap Shutter
17-8		1	Sponge Duct Toner OPC
17-9		1	Sponge Tank Toner OPC
17-S5	P/O Screw Kit	2	Screw-Taptite
17-S8	P/O Screw Kit	1	Screw-Taptite
18		2	Spring Clutch
19	116-1949-00	1	CBF Harness Waste Motor
20	116-1866-00	1	SUB DEVE Drive Board
21		1	Harness Main FSR Roll
22	116-1941-00	1	CBF Harness Main Eraser
23		1	Ground Fuser Frame
24		1	Sheet Eraser Lamp
25		1	Gear Fuser DRV Outer
26		1	Gear-DP Idle
27		2	Gear Exit Idle Z17
28		1	Ground Paper Guide
29		1	Cover Fuser Base
30		1	Cover Harness Fuser
31		1	Laser Shutter Cover
32	116-1885-00	4	Terminals
33		1	Washer Plain
S5	P/O Screw Kit	8	Screw-Taptite
S6	P/O Screw Kit	1	Screw-Taptite
S7	P/O Screw Kit	2	Screw-Taptite
S8	P/O Screw Kit	29	Screw-Taptite
S9	P/O Screw Kit	2	Screw-Taptite
S14	P/O Screw Kit	7	Screw-Taptite

9.14 Front Frame Assembly



Front Frame Assembly 9.14

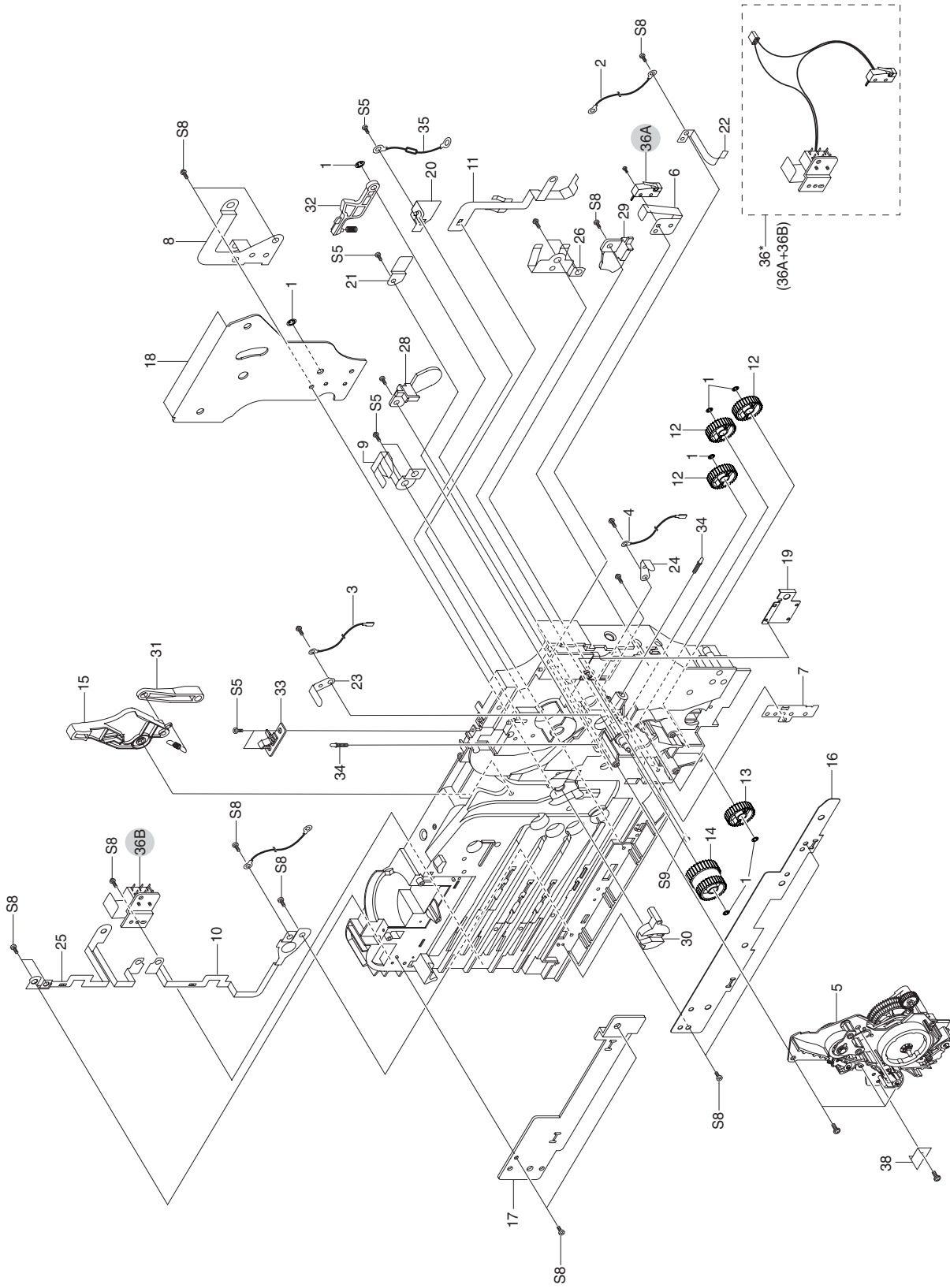
No.	Part number	Qty	Part Name and (part description)
0		1	Frame Front
1	116-1879-00	1	Waste Toner Sensor
1-1	P/O Hardware Kit	1	Ring CS
1-2		1	Holder M Waste Toner Sensor

Parts List

No.	Part number	Qty	Part Name and (part description)
1-3	116-1881-00	1	Waste Toner Sensor Actuator
1-4		1	Sub Waste Sensor
2		1	Transfer Belt Lifter
2-1		1	Sponge Duct Toner Transfer Belt Lift
2-2		1	Duct Toner Transfer Belt Lifter
2-3		1	Sponge Transfer Belt Duct
3	116-1883-00	1	Transfer Belt Waste Toner Housing
3-1		1	Housing M Waste Toner Transfer Belt
3-2		1	Sponge Duct Toner OPC
3-3		1	Cap Shutter Transfer Belt
3-4		1	Shutter Transfer Belt
3-5		1	Sponge Transfer Belt Tank Dust
3-6		1	Sponge Transfer Belt Tank Toner
3-7		1	Sponge Cap Shutter
3-S8		1	Screw-Taptite
4	P/O Hardware Kit	3	Ring CS
5	116-1875-00	1	Exit Sensor
6		1	Plate Guide T2 Front
7		1	Bracket Laser F
8	116-1885-00	12	Terminals
9		1	Ground HVPS Laser
10		1	Link Lock OPC F
11		1	Lever Transfer Belt Lock Front
12		1	Label(R) Color Bar
13		1	Harness Bushing Ground
14		1	Bracket Guide HVPS R
15		1	Bracket Exit Hinge F
16		1	Transfer Belt Hinge Ground
17		1	Transfer Belt Guide Tortion
18		1	OPC Guide Tortion
19		1	OPC/Transfer Belt Bround
20		1	OPC Lock Front
21		1	OPC/Laser Ground
22		1	Shutter Tortion
23		1	Frame Front
24		1	Cover Top Lever In
25		1	Cover Top Lever Out
26		1	DEVE Open Plate
27		1	DEVE Open Plate Guide
28	116-1921-00	1	Spring CS (Belt)
29		1	Lock Transfer Belt Front
30		1	Lock Cover Front
31		1	Rack OPC
32		2	Spring CS
33		1	Guide Lock OPE F
34		1	Sponge Dust Transfer Belt Cover
35		1	Sponge Dust Imaging Unit Cover
36	116-1922-00	1	DEVE OEM Board
37	116-1923-00	2	Spring CS (Frame)

No.	Part number	Qty	Part Name and (part description)
38		1	Spring Transfer Belt Lock (ITB)
39		1	Spring Toner Duct Housing
S5	P/O Screw Kit	6	Screw-Taptite
S7	P/O Screw Kit	6	Screw-Taptite
S8	P/O Screw Kit	26	Screw-Taptite

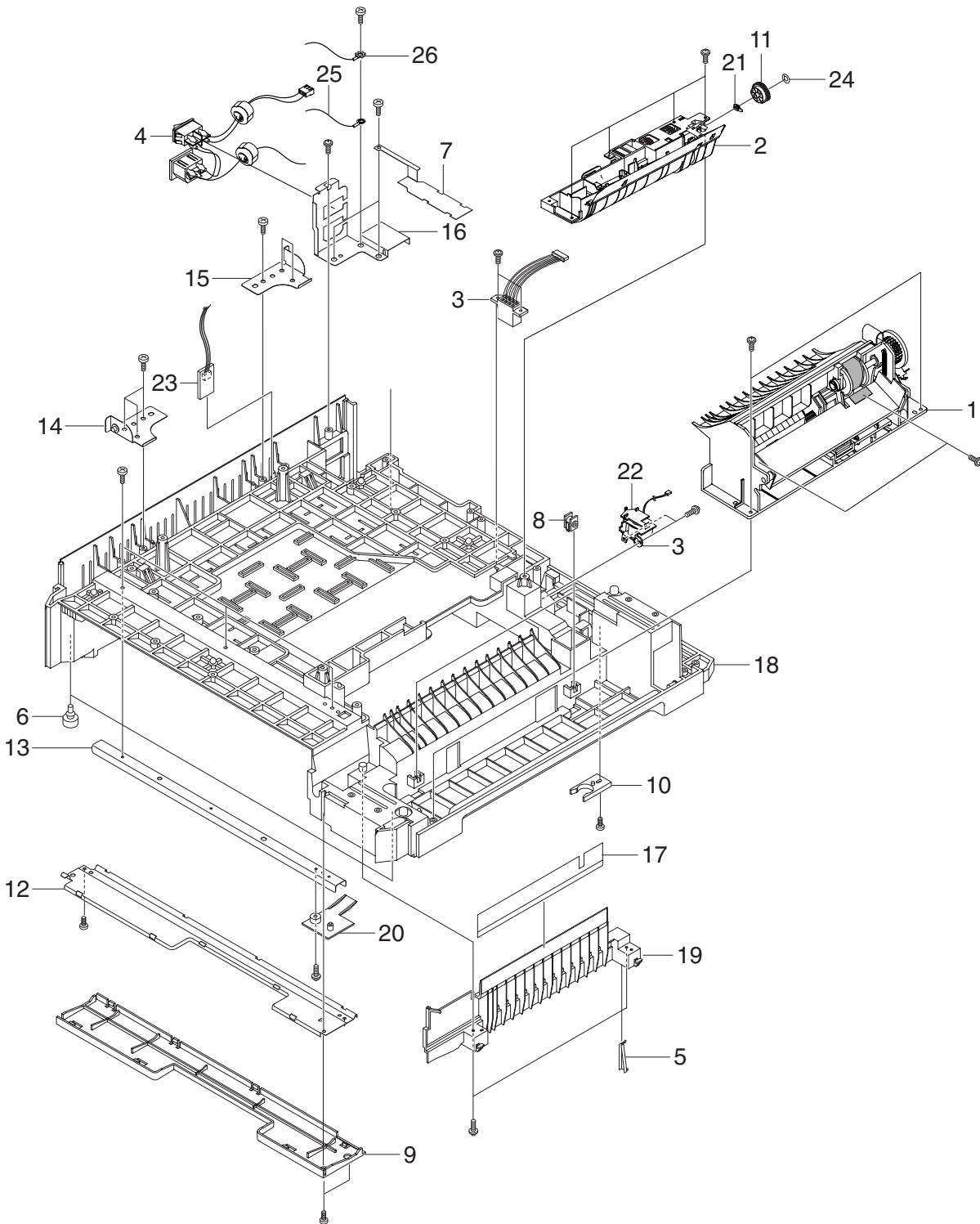
9.15 Rear Frame Assembly



Rear Frame Assembly 9.15

No.	Part number	Qty	Part Name and (part description)
0		1	Frame Rear
1	P/O Hardware Kit	7	Ring CS
2	116-1942-00	1	CBF Harness HVPS Charge
3	116-1943-00	1	CBF Harness HVPS T1
4	116-1944-00	1	CBF Harness HVPS T2
5		1	Feed Unit
6		1	Plate Switch Duplex
7		1	Plate Guide T2 Rear
8		1	Ground Main Transfer Belt Drive
9		1	Ground Laser DEVE Drive
10		1	Ground HVPS Laser Lower
11		1	Ground Exit Drive
12		1	Gear RDCN Feed Outer
13		1	Gear T2 Idle Z27
14		1	Gear T2 RDCN Z32/Z23
15		1	Lever Transfer Unit Lock Rear
16		1	Bracket Laser R
17		1	Bracket Guide HVPS F
18		1	Bracket Lock Transfer Belt
19		1	Bracket Exit Hinge R
20		1	Plate Fuser
21		1	Plate Lock Transfer Belt
22		1	Plate OPC HV
23		1	Plate T1
24		1	Plate T2
25		1	Ground HVPS
26		1	Ground Main
27		1	Frame Rear
28		1	Cover T1 HV
29		1	Cover T2 HV
30		1	Guide Lock Imaging Unit
31		1	Link Lock Imaging Unit
32		1	Lock Transfer Belt
33	116-1884-00	1	Holder Guide Exit
34	116-1885-00	2	Terminals
35	116-1886-00	1	Harness 100M Ground
36	116-1887-00	1	Cover Open Sensor ASM
S5	P/O Screw Kit	1	Screw-Taptite
S6	P/O Screw Kit	1	Screw-Taptite
S8	P/O Screw Kit	1	Screw-Taptite
S9	P/O Screw Kit	1	Screw-Taptite

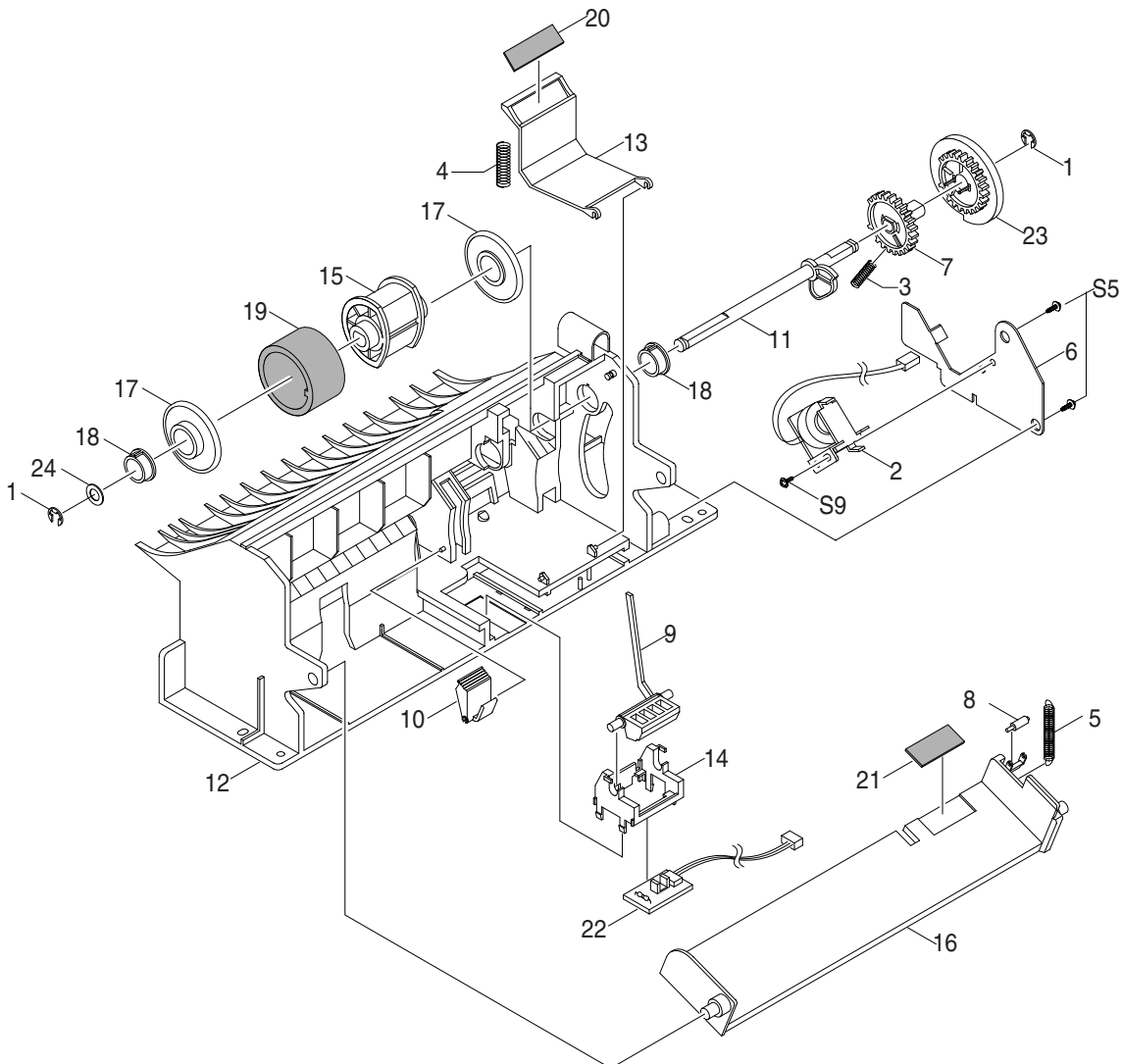
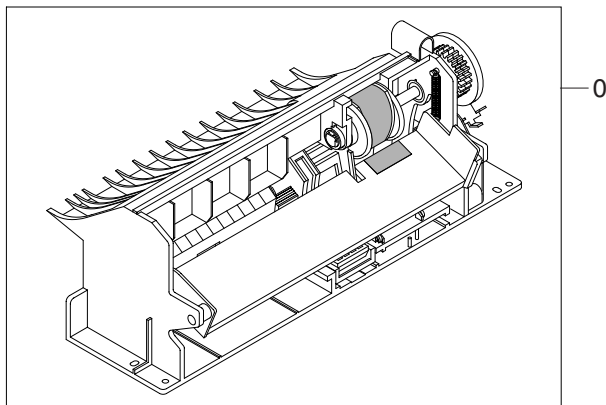
9.16 Base Frame Assembly



Base Frame Assembly 9.16

No.	Part number	Qty	Part Name and (part description)
0	116-1925-00	1	Base Frame
1	116-1889-00	1	MPT Pickup ASM
2	116-1890-00	1	Tray 1 Pickup ASM
3	116-1891-00	1	Harness SCF
4	116-1926-00	1	Assembly, AC Switch
5		1	Guide Rail
6		2	Foot ML80
7		1	Ground Tray 2 (SCF)
8		2	Screw Cover Locking Cap
9		1	Cover M Base Bar
10		1	Cam Catch
11		1	Gear-Pickup
12		1	Bracket Base Bar
13		1	Channel Frame Base
14		1	Bracket DEVE Hinge F
15		1	Bracket DEVE Hinge R
16		1	Bracket Power
17		1	Sheet Guide Paper
18		1	Frame Base
19		1	Guide Tray 2 (SCF) Paper
20		1	Paper Guide
21	116-1959-00	1	Bearing
22	116-1892-00	1	Solenoid Pickup
23	116-1893-00	1	Temp Sensor
24		1	Washer Plain
25		1	Laser Harness Ground
26		1	Washer
S7	P/O Screw Kit	4	Screw-Taptite
S8	P/O Screw Kit	15	Screw-Taptite
S14	P/O Screw Kit	12	Screw-Taptite

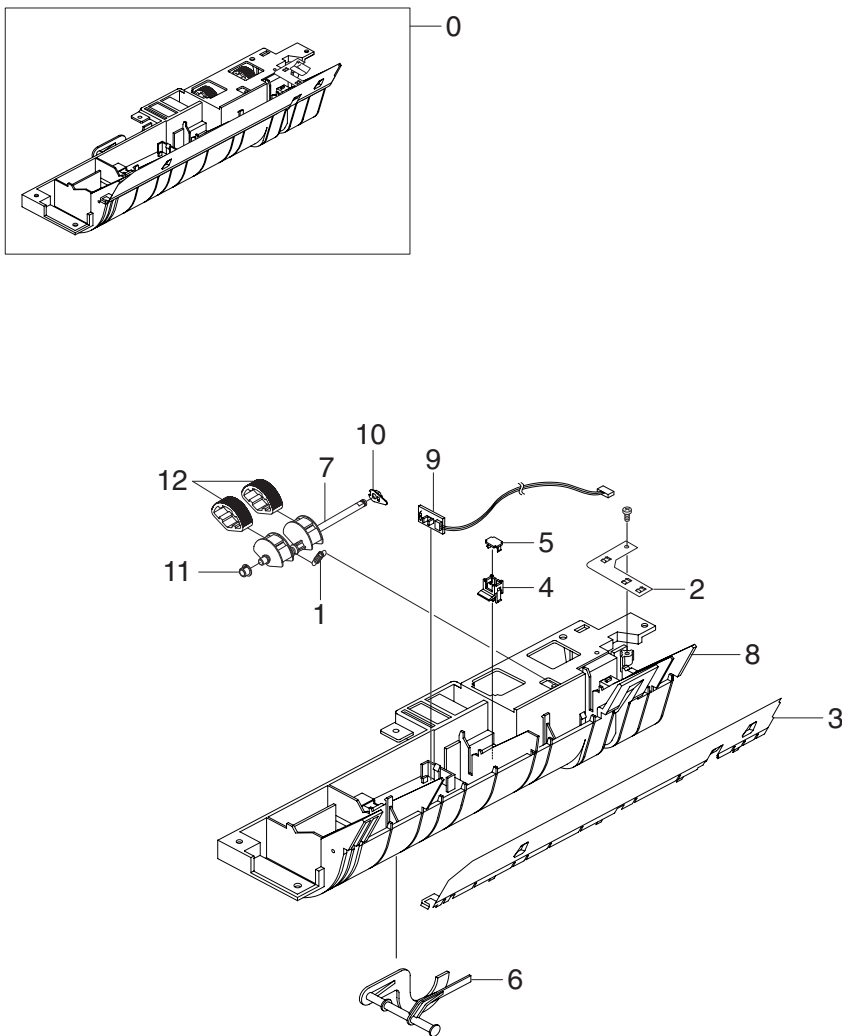
9.17 MPT Assembly



MPT Assembly 9.17

No.	Part number	Qty	Part Name and (part description)
0	116-1889-00	1	MPT Pickup ASM
1	P/O Hardware Kit	2	E Ring
2	116-1894-00	1	MPT Solenoid
3		1	Spring Cam MPT
4		1	Spring Pickup MPT
5		1	Spring MPT
6		1	Bracket Solenoid
7		1	Holer Cam MPT
8		1	Roller Cam MPT
9	116-1895-00	1	Actuator, MPT Empty
10		1	MPT Adjuster
11		1	MPT Cam Pickup
12		1	MPT Frame
13		1	MPT Holder Pad
14		1	MPT Holder Sensor
15	116-1945-00	1	PMO-Housing Pickup MPT
16	116-1946-00	1	PMO-Lift Plate, MPT
17		2	MPT Idle Pickup
18	116-1947-00	2	Bushing
19	116-1948-00	1	Pick Roller, MPT
20		1	Pad MPT (PLUS)
21		1	Pad Lift Up MPT
22	116-1896-00	1	MPT Empty Sensor
23		1	Gear P/U MPT
24		1	Washer Plain
S5	P/O Screw Kit	2	Screw-Taptite
S9	P/O Screw Kit	1	Screw-Taptite

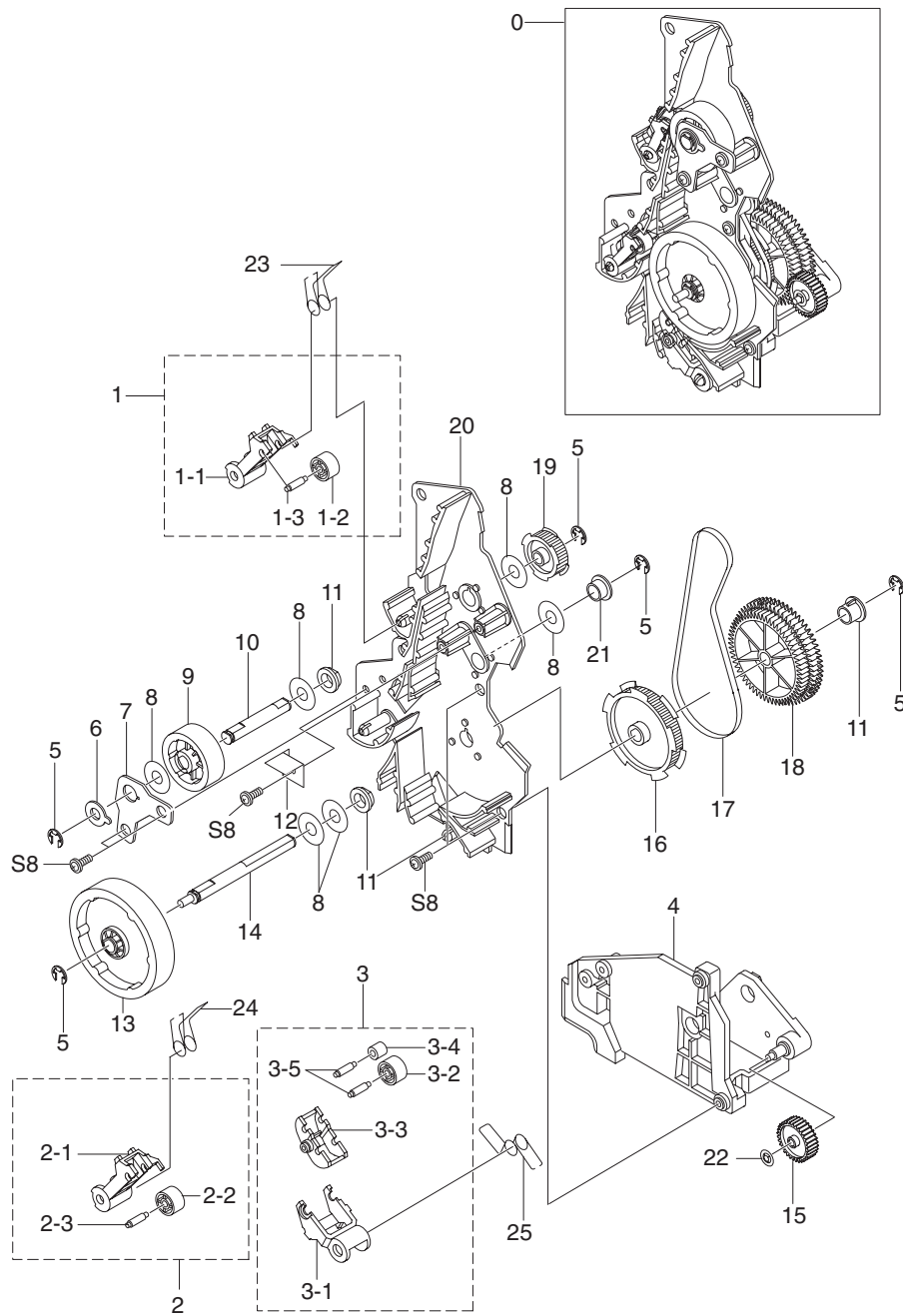
9.18 Pickup Assembly



Pickup Assembly 9.18

No.	Part number	Qty	Part Name and (part description)
0	116-1890-00	1	Tray 1 Pickup ASM
1		1	Pickup Spring
2		1	Ground Feed
3		1	Guide Input
4		1	Cap Connector L
5		1	Cap Connector U
6	116-1897-00	1	Actuator Tray 1 Empty
7		1	Pickup Shaft
8		1	Guide Paper
9	116-1898-00	1	Tray 1 Empty Sensor
10		1	Bearing Shaft
11	116-1947-00	1	Bushing
12	116-1951-00	2	Pick Rollers Tray 1

9.19 Feeder Assembly



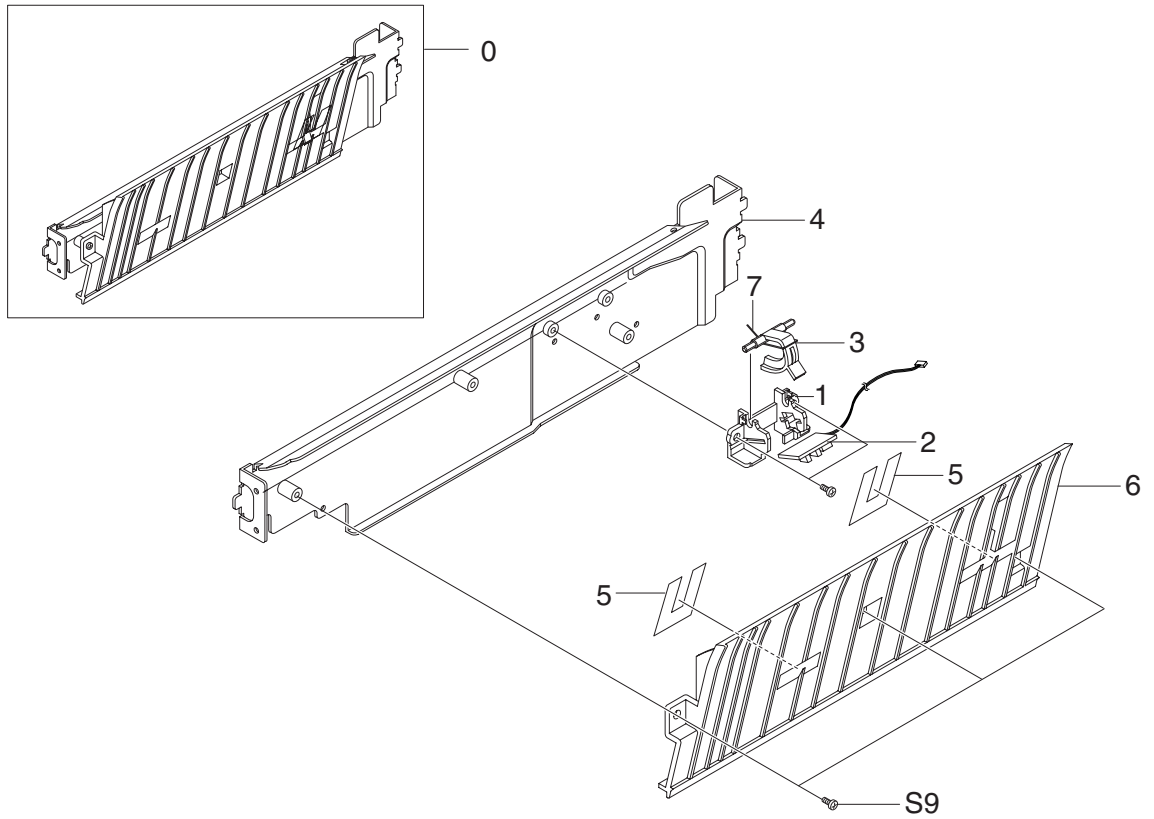
Feeder Assembly 9.19

No.	Part number	Qty	Part Name and (part description)
0		1	Feed Unit
1		1	Holder Pinch C3
1-1		1	Holder Pinch C3
1-2		1	Roller Feed L
1-3		1	Feed Idler Shaft

Parts List

No.	Part number	Qty	Part Name and (part description)
2		1	Holder Pinch C5
2-1		1	Holder Pinch C5
2-2		1	Roller Feed L
2-3		1	Feed Idler Shaft
3		1	Holder Pinch M
3-1		1	Holder Pinch M
3-2		1	Roller Feed L
3-3		1	Holder Feed
3-4		1	Roller Feed S
3-5		2	Feed Idler Shaft
4		1	Frame Feed
5	P/O Hardware Kit	4	E Ring
6		1	Bushing Feed Mid
7		1	Bracket Feed Mid
8		6	Washer Plain
9	116-1890-00	1	Roller Feed Mid
10		1	Shaft Feed Mid
11		3	Bushing Pickup MPT
12		1	Ground Pickup Plate
13	116-1900-00	1	Roller Feed
14		1	Shaft Feed
15		1	Gear MPT/DUP Drive
16		1	Pulley Feed L
17		1	Gelt Timing Gear
18		1	Gear Feed
19		1	Pulley Feed S
20		1	Bracket Feed
21		1	Pulley Idle
22	P/O Hardware Kit	1	Ring CS
23		1	Spring Feed MID
24		1	Spring Feed MID A
25		1	Spring Feed MPT
S8	P/O Screw Kit	5	Screw-Taptite

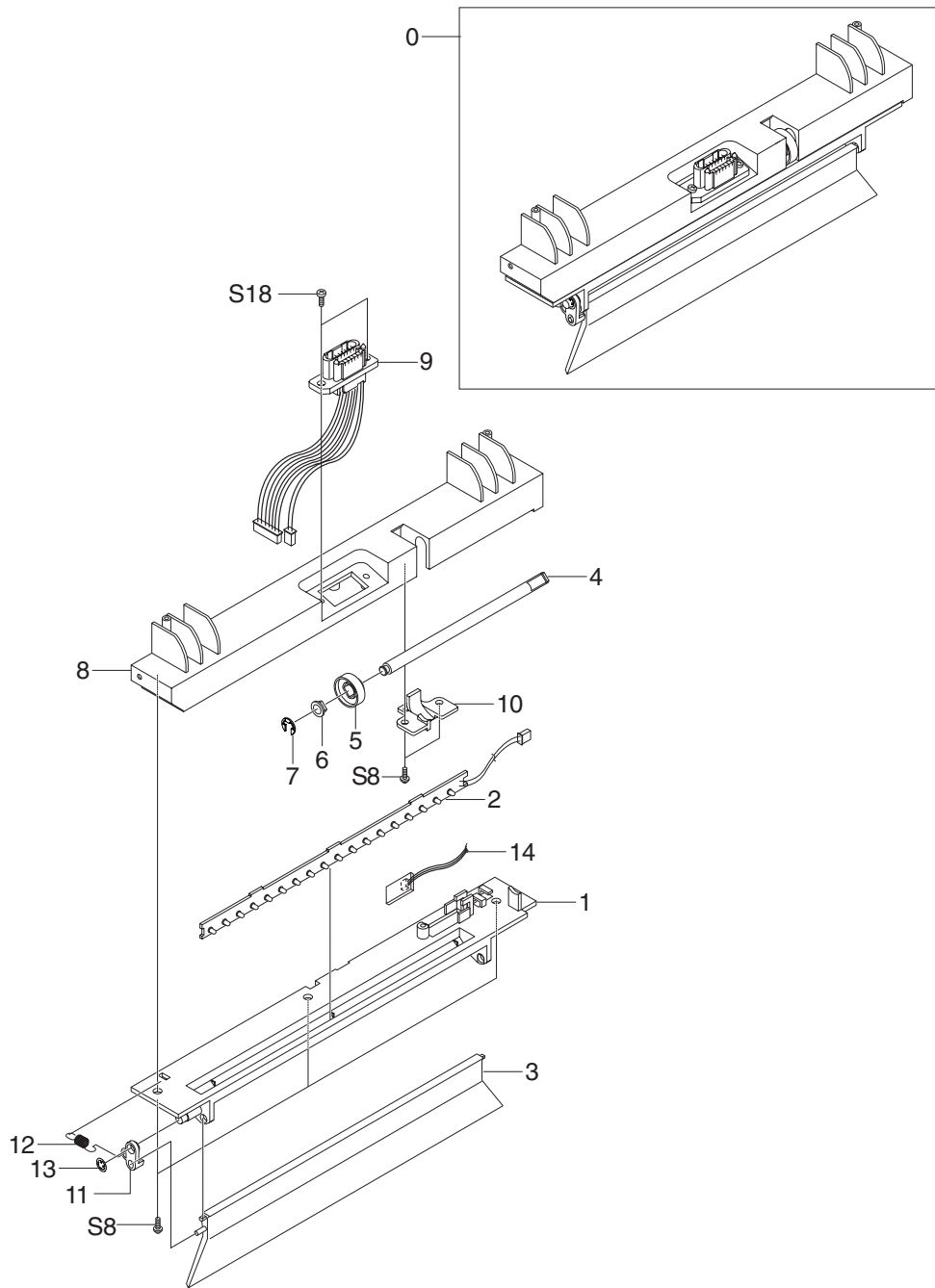
9.20 Paper Guide Assembly



Paper Guide Assembly 9.20

No.	Part number	Qty	Part Name and (part description)
0		1	Paper Guide
1	116-1901-00	1	Feed Sensor Cover
2	116-1902-00	1	Feed Sensor
3	116-1903-00	1	Feed Sensor Actuator
4		1	Paper Guide Bracket
5	116-1952-00	2	Sheet - Paper Guide
6	116-1953-00	1	Guide Paper Path
7		1	Actuator Spring
S9	P/O Screw Kit	5	Screw-Taptite

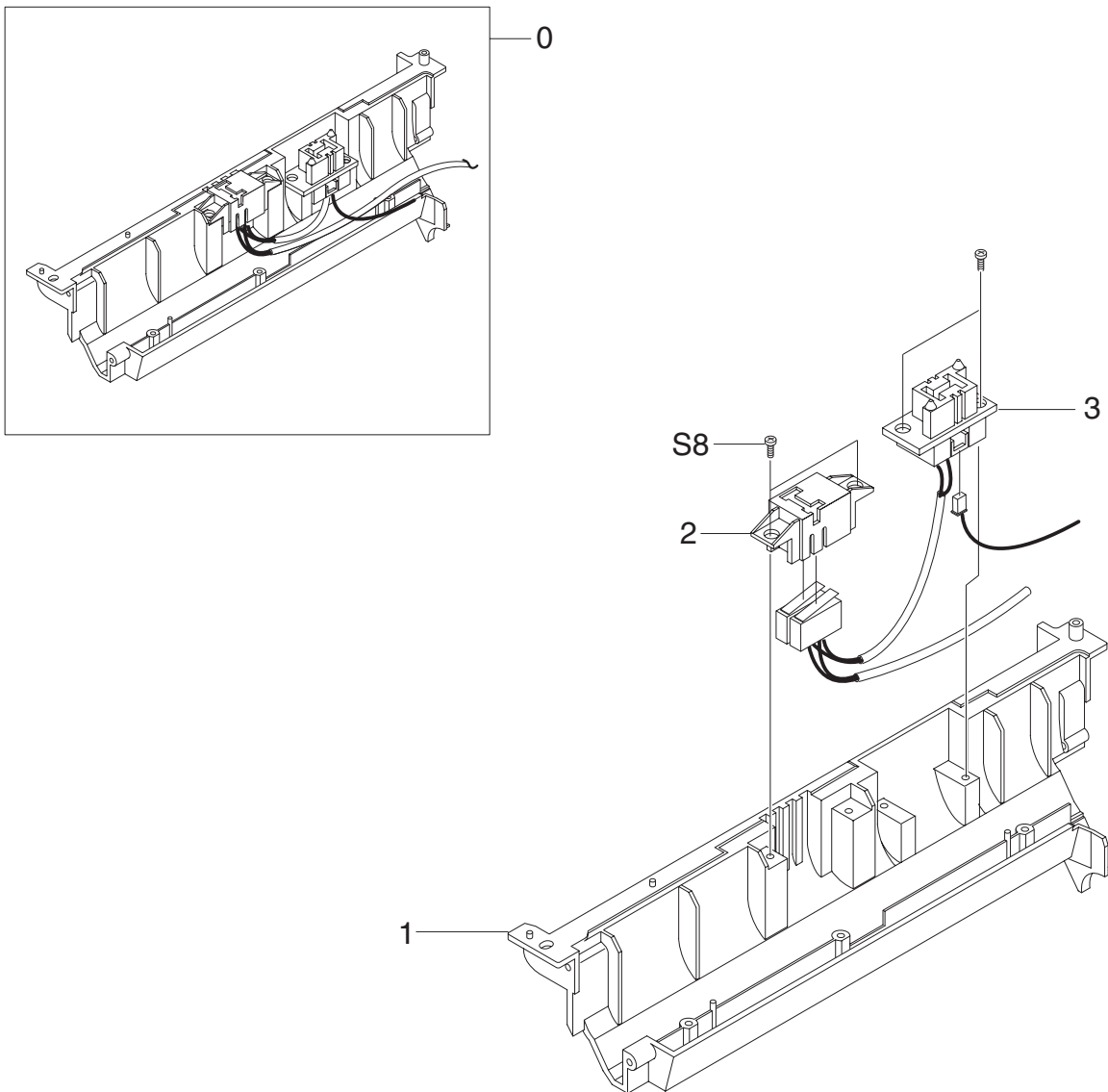
9.21 Transfer Belt Cam Assembly



Transfer Belt Cam Assembly 9.21

No.	Part number	Qty	Part Name and (part description)
0	116-1873-00	1	ITB Cam ASM (Transfer Belt Cam)
1		1	Transfer Belt Cam Lower
2	116-1904-00	1	PTL SensorUpper Erase Lamp (PTL)
3	116-1905-00	1	PTL Path
4		1	Shaft Transfer Belt Cleaning Cam
5		1	Transfer Belt Cleaning Cam
6		1	Bushing D6/L4
7	P/O Hardware Kit	1	E Ring
8		1	Transfer Belt Cam Upper
9		1	Harness Set Drawer
10		1	Cover Cam Shaft
11		1	Guide Erase Lamp Spring
12	P/O Hardware Kit	1	Erase Lamp Spring
13	P/O Hardware Kit	1	Ring CS
14	116-1955-00	1	Temp Sensor
S9	P/O Screw Kit	5	Screw-Taptite
S18	P/O Screw Kit	2	Screw-Special

9.22 Fuser Base Assembly



Fuser Base Assembly 9.22

No.	Part number	Qty	Part Name and (part description)
0		1	Fuser Base
1		1	Fuser Base
2	116-1907-00	1	Housing Switch AC
3	116-1906-00	1	Switch AC
S8	P/O Screw Kit	2	Screw

9.23 Xerox Kits and Accessories

Kits

Description	Part Number
Screw/Washer Kit (See page 9-3)	116-1908-00
Hardware Kit	116-1909-00
Main Drive Hardware Kit	116-1910-00
LVPS Fuse Kit	116-1960-00

Miscellaneous Items

Description	Part Number
Network Interface Board (DN Model Only)	116-1916-00
128 Mbytes, 16M x 64, PC133; Memory DIMM (Phaser 3540 Laser Printer)	097S03136
World Kit	061450400
Printer Repackaging Kit	065062600

Power Cords

Description	Part Number
Cord, Power, Standard, 115V	161-0066-00
Cord, Power, Euro, 220V	161-0066-09
Cord, Power, UK, 240V	161-0066-10
Cord, Power, Aust, 240V	161-0066-11
Cord, Power, Swiss, 220V	161-0154-00
Cord, Power, Danish, 250V	161-0240-00
Cord, Power, Chinese, 250V	161-0304-00
Cord, Power, Argentina, 240V	161-0307-00