



## *Parts Catalog* - SCX-3200/3205/3205W



1. Print / Copy Speed  
• 17 ppm in letter

2. Processor  
• Jupiter5 375 Mhz

3. Printer Language Emulations  
• SPL, PCL5e

4. Memory  
• 32 MB (SCX-3200/3205)  
• 128 MB (SCX-3205W)

5. Interfaces  
• One USB port  
• One 10/100 Base TX network connector (SCX-3205W)  
• One 802.11b/g/n wireless module (SCX-3205W)

6. Toner cartridge  
• Initial : 700 pages  
• Sales : 1,500 pages

7. Machine life  
• 30,000 sheets or 3 years  
(whichever comes first)

**This Parts Catalog is a property of Samsung Electronics Co.,Ltd.  
Any unauthorized use of this manual can be punished under  
applicable International and/or domestic law.**


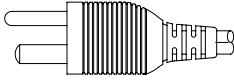
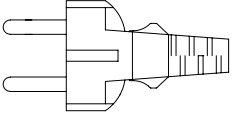
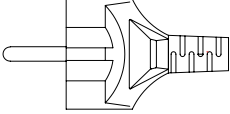
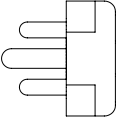
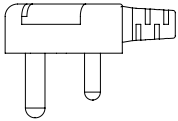
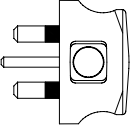
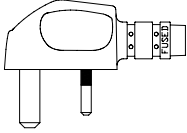
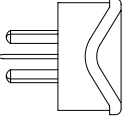
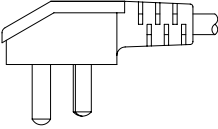
# Exploded View and Parts List

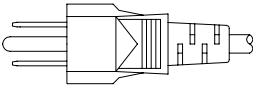
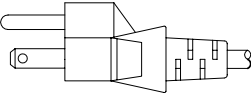
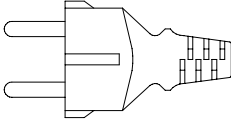
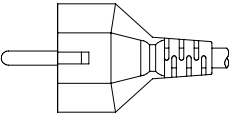
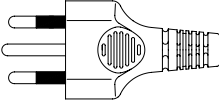
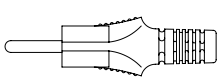
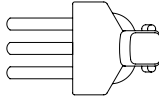
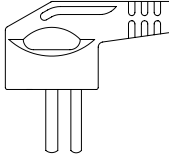
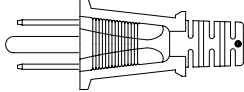
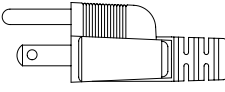
## *Contents*

Power Cord .....	4
Thumbnail .....	5
0. MAIN .....	6
1. COVER .....	8
2. SCANNER.....	10
2A. PLATEN .....	13
3. FRAME .....	15
3A. FUSER .....	17
3B. FRAME-PAPER PATH .....	19
3C. FRAME MAIN-LEFT .....	21
3D. FRAME MAIN-RIGHT and MIDDLE .....	23
3E. FRAME MAIN-BOTTOM .....	25

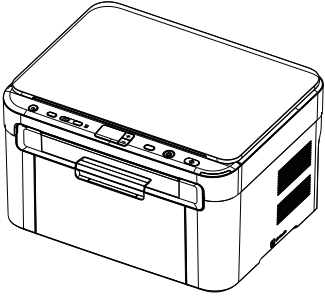
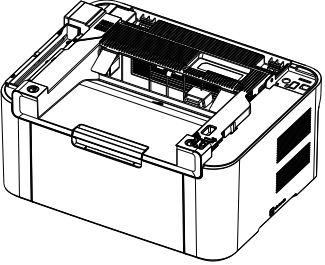
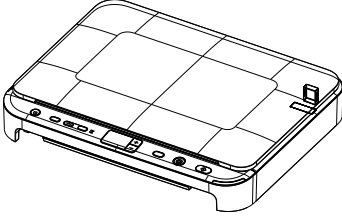
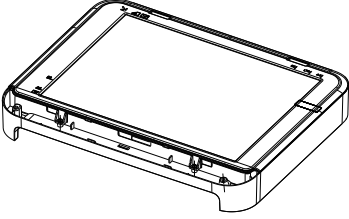
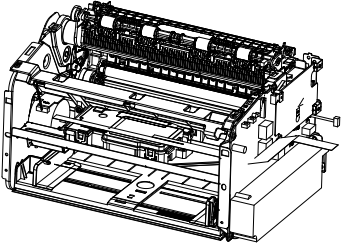
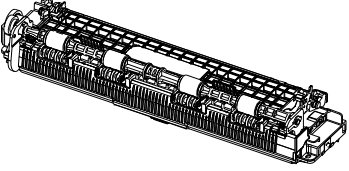
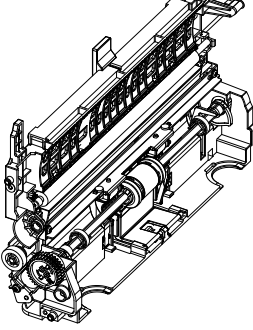
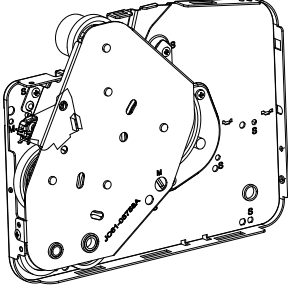
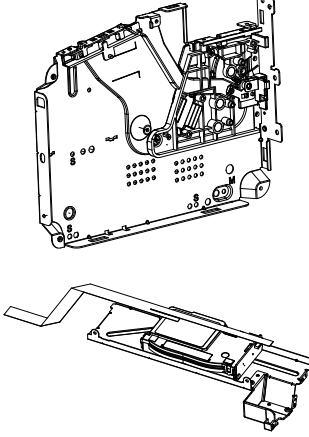
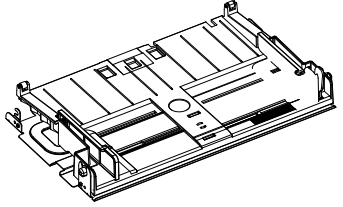
# Power Cord

Power Cord differs by countries. Please check your country code.

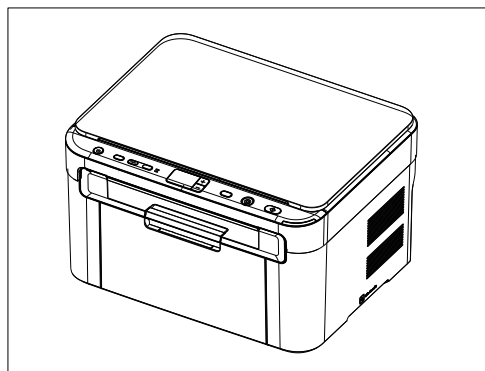
Top View	Side View	Part Code
		Usable Country Code
		3903-000020
		XAZ
		3903-000042
		SEE / STS / XSA / XSG XSS / XEV / XEG
		3903-000050
		XFA / XIP
		3903-000067
		XEU / XSS
		3903-000082
		XIL

Top View	Side View	Part Code
		Usable Country Code
		3903-000085
		XAA / XAX
		3903-000133
		KOR
		3903-000146
		XBH
		3903-000182
		ETS
		3903-000227
		TED

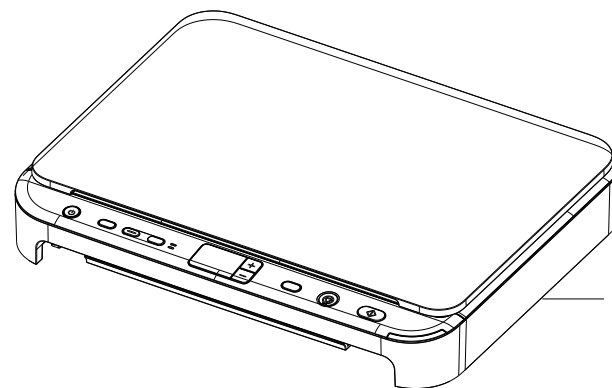
# Thumbnail

				
<p>0. MAIN</p>	<p>1. COVER</p>	<p>2. SCANNER</p>	<p>2A. PLATEN</p>	<p>3. FRAME</p>
				
<p>3A. FUSER</p>	<p>3B. FRAME-PAPER PATH</p>	<p>3C. FRAME MAIN-LEFT</p>	<p>3D. FRAME MAIN-RIGHT and MIDDLE</p>	<p>3E. FRAME MAIN-BOTTOM</p>

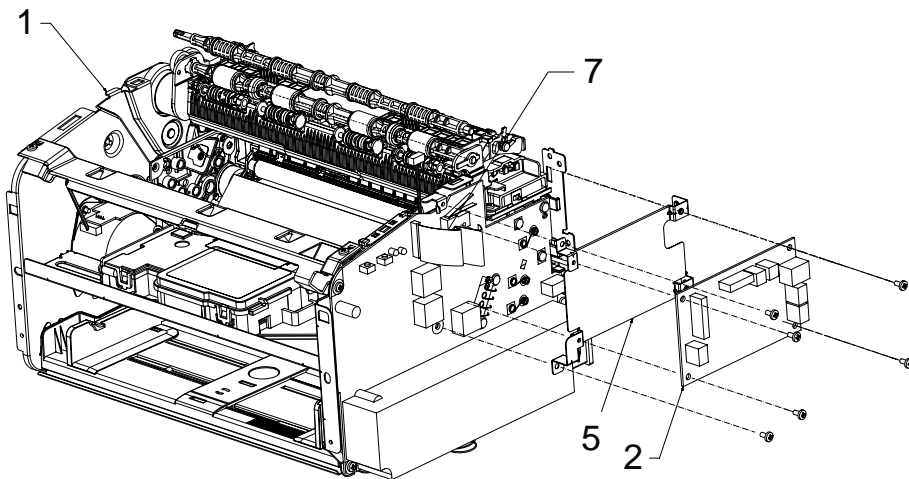
# 0. MAIN



0



4



1

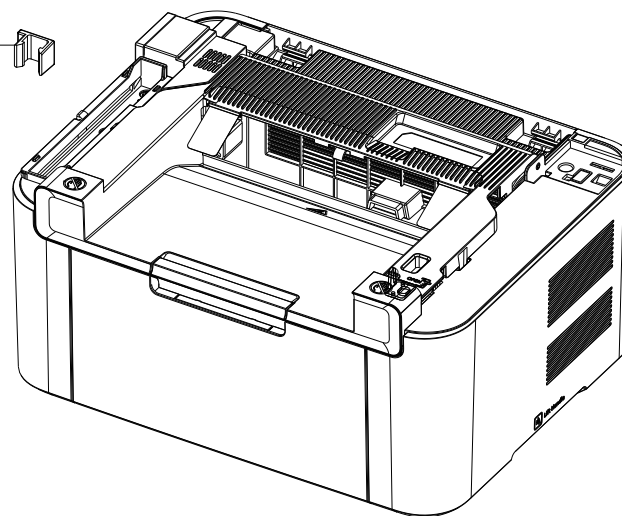
7

5

2



6



3

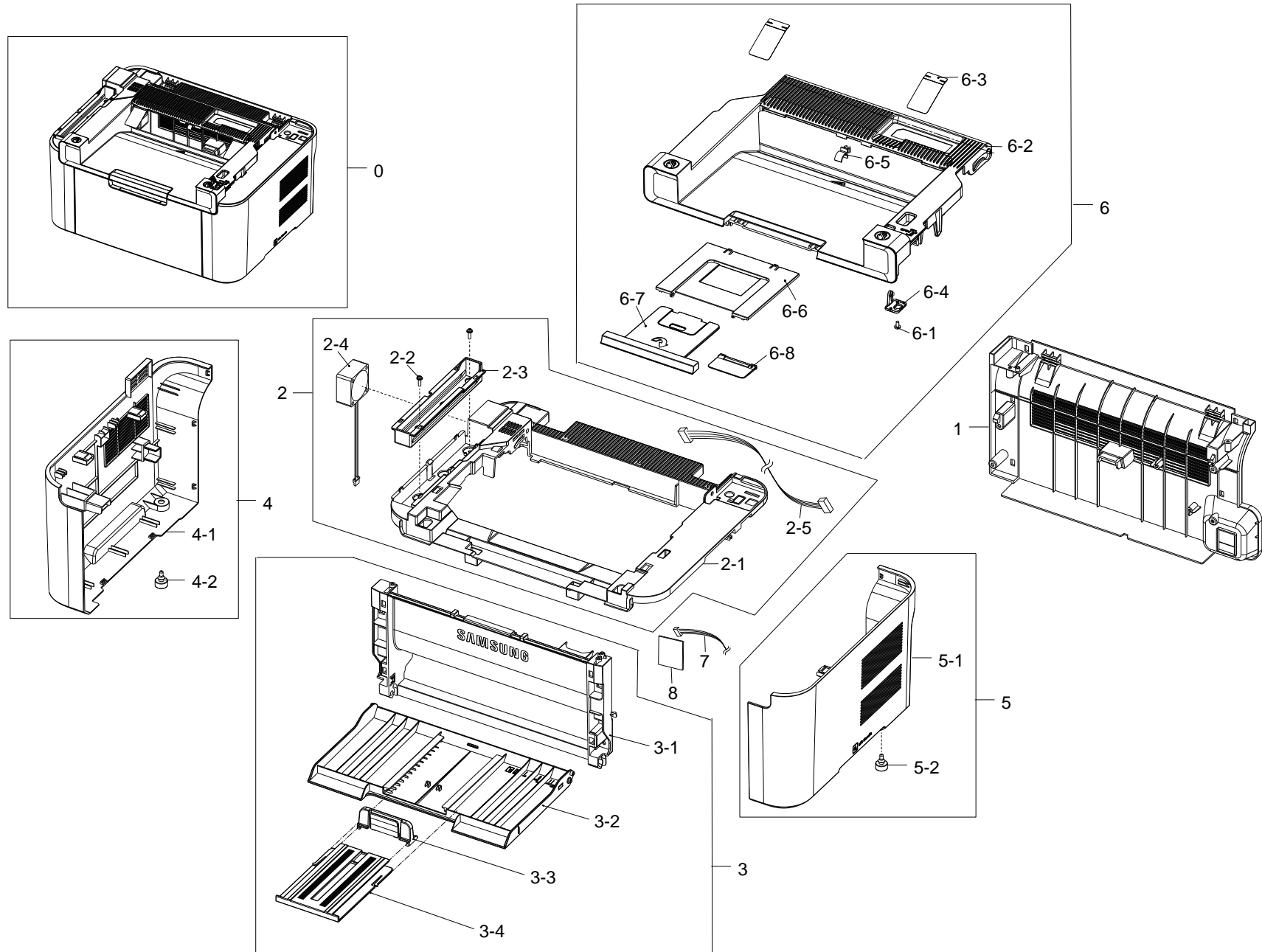
## MAIN Parts List

SA : SERVICE AVAILABLE, SNA : SERVICE not AVAILABLE

Drawer#	SEC-Code	Description	Qty	Service	Remark
0	SCX-3200 series	SET	1	SNA	
1	JC93-00262A~C	FRAME	1	SNA	Refer to 3. FRAME
2	JC92-02317A~E	PBA-MAIN	1	SA	SCX-3200/3205 A : SEE (UK) B : XAA(USA) C : KOR D : XSS(Singapore), XFA(South Africa) E : XEC(Germany,Spain)
2	JC92-02318A~E	PBA-MAIN-WIRELESS	1	SA	SCX-3205W A : SEE (UK) B : XAA(USA) C : KOR D : XSS(Singapore), XFA(South Africa) E : XEC(Germany,Spain)

Drawer#	SEC-Code	Description	Qty	Service	Remark
3	JC95-01230A~B	COVER	1	SNA	Refer to 1. COVER.
4	JC97-03821A~P	SCANNER	1	SNA	Refer to 2. SCANNER
5	JC63-02798A	SHIELD-CONTROLLER	1	SNA	
6	JC61-02549A	HOLDER-LINK	1	SA	
7	JC39-01419A	FLAT CABLE	1	SA	

# 1. COVER





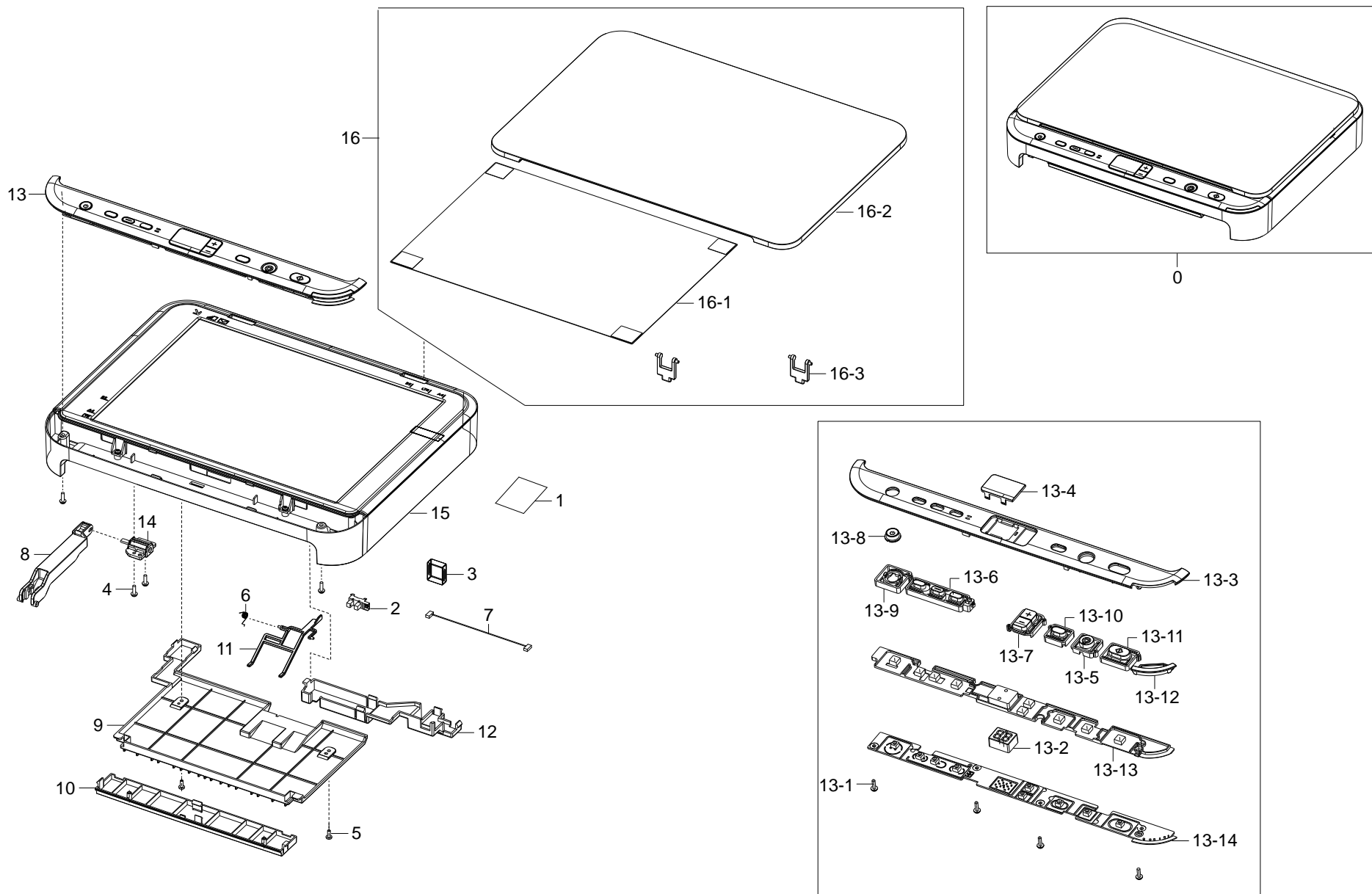
## COVER Parts List

SA : SERVICE AVAILABLE, SNA : SERVICE not AVAILABLE

Drawer#	SEC_Code	Description	QT'y	Service	Remark
0	JC95-01230A	COVER	1	SNA	SCX-3200/3205
0	JC95-01230B	COVER	1	SNA	SCX-3205W
1	JC63-02784A	COVER-REAR	1	SA	
2	JC95-01231A	COVER-MIDDLE	1	SA	
2-1	JC63-02783A	COVER-MIDDLE	1	SNA	
2-2	6003-000196	SCREW-TAPTYPE	2	SA	
2-3	JC61-04002A	HOLDER-LINK-RAIL	1	SA	
2-4	JC31-00085A	FAN-DC	1	SA	
2-5	JC39-01415A	HARNESS FAN	1	SA	
3	JC95-01232A	COVER-FRONT	1	SA	
3-1	JC63-02785A	COVER-INNER	1	SNA	
3-2	JC63-02781A	COVER-CASSETTE	1	SA	
3-3	JC63-02624A	TRAY-EXTENSION S	1	SNA	
3-4	JC63-02623A	TRAY-EXTENSION L	1	SNA	
4	JC95-01234A	COVER-LEFT	1	SA	
4-1	JC63-02786A	COVER-LEFT	1	SA	
4-2	JC61-40001A	FOOT-ML80	1	SA	

Drawer#	SEC_Code	Description	QT'y	Service	Remark
5	JC95-01235A	COVER-RIGHT	1	SA	SCX-3200/3205
5	JC95-01235B	COVER-RIGHT	1	SA	SCX-3205W
5-1	JC63-02787A	COVER-RIGHT	1	SA	SCX-3200/3205
5-1	JC63-02787B	COVER-RIGHT	1	SA	SCX-3205W
5-2	JC61-40001A	FOOT-ML80	1	SA	
6	JC95-01251A	COVER-OPEN	1	SA	
6-1	6003-000261	SCREW-TAPTYPE	1	SNA	
6-2	JC63-02790A	COVER-OPEN	1	SNA	
6-3	JC63-02629A	SHEET-STACKING	2	SA	
6-4	JC72-41398B	PMO-LOCKER_MP	1	SNA	
6-5	JC61-03973A	HOLDER-SHAFT	1	SA	
6-6	JC61-03997A	STACKER-LARGE	1	SNA	
6-7	JC61-03996A	STACKER-SMALL	1	SNA	
6-8	JC61-04015A	STACKER-SECOND_SMALL	1	SNA	
7	JC39-01414A	HARNESS WLAN	1	SA	SCX-3205W ONLY
8	JC92-02308A	PBA-WNPC	1	SA	SCX-3205W ONLY

## 2. SCANNER



## SCANNER Parts List

SA : SERVICE AVAILABLE, SNA : SERVICE not AVAILABLE

Drawer#	SEC_Code	Description	QT'y	Service	Remark
0	JC97-03821A~P	SCANNER	1	SA	A : ENGLISH, SCX-3200 B : PORTUGUESE, SCX-3200 C : SPANISH, SCX-3200 D : RUSSIAN, SCX-3200 E : TURKISH, SCX-3200 F : S.CHINESE, SCX-3200 G : T.CHINESE, SCX-3200 H : KOREAN, SCX-3200 J : ENGLISH, SCX-3205W K : SPANISH, SCX-3205W L : KOREAN, SCX-3205W M : ENGLISH, SCX-3205 N : RUSSIAN, SCX-3205 P : KOREAN, SCX-3205
1	0203-005745	TAPE ACETATE	0.04	SNA	
2	0604-001415	PHOTO-INTERRUPTER	1	SA	
3	3301-001741	CORE-FERRITE	1	SNA	
4	6003-000196	SCREW-TAPTYPE	1	SA	
5	6003-000282	SCREW-TAPTYPE	1	SNA	
6	JB61-00076A	SPRING ETC-TORSION DOC (CC2-F)	1	SA	
7	JC39-01413A	HARNESS-BINFULL	1	SA	
8	JC61-04001A	HOLDER-LINK_HINGE	1	SA	
9	JC63-02782A	COVER-SCAN-DUMMY	1	SA	
10	JC63-02792A	COVER-DECO_SCAN	1	SA	
11	JC66-02734A	ACTUATOR-BIN_FULL	1	SA	
12	JC67-00479A	CAP-SENSOR	1	SA	

Drawer#	SEC_Code	Description	QT'y	Service	Remark
13	JC97-03813A~P	OPE	1	SA	A : ENGLISH, SCX-3200 B : PORTUGUESE, SCX-3200 C : SPANISH, SCX-3200 D : RUSSIAN, SCX-3200 E : TURKISH, SCX-3200 F : S.CHINESE, SCX-3200 G : T.CHINESE, SCX-3200 H : KOREAN, SCX-3200 J : ENGLISH, SCX-3205W K : SPANISH, SCX-3205W L : KOREAN, SCX-3205W M : ENGLISH, SCX-3205 N : RUSSIAN, SCX-3205 P : KOREAN, SCX-3205
13-1	6003-000196	SCREW-TAPTYPE	4	SA	
13-2	JC61-03999A	HOLDER-LED_MAIN	1	SNA	
13-3	JC63-02794A~P	COVER-OPE	1	SA	A : ENGLISH, SCX-3200 B : PORTUGUESE, SCX-3200 C : SPANISH, SCX-3200 D : RUSSIAN, SCX-3200 E : TURKISH, SCX-3200 F : S.CHINESE, SCX-3200 G : T.CHINESE, SCX-3200 H : KOREAN, SCX-3200 J : ENGLISH, SCX-3205W K : SPANISH, SCX-3205W L : KOREAN, SCX-3205W M : ENGLISH, SCX-3205 N : RUSSIAN, SCX-3205 P : KOREAN, SCX-3205
13-4	JC63-02797A	COVER-LED	1	SNA	
13-5	JC64-00586A	KEY-STOP	1	SNA	
13-6	JC64-00587A~B	KEY-EXTRA	1	SA	A : SCX-3200 B : SCX-3205, SCX-3205W
13-7	JC64-00588A	KEY-UP_DOWN	1	SNA	
13-8	JC64-00589A~B	KEY-POWER	1	SA	A : SCX-3200 B : SCX-3205, SCX-3205W

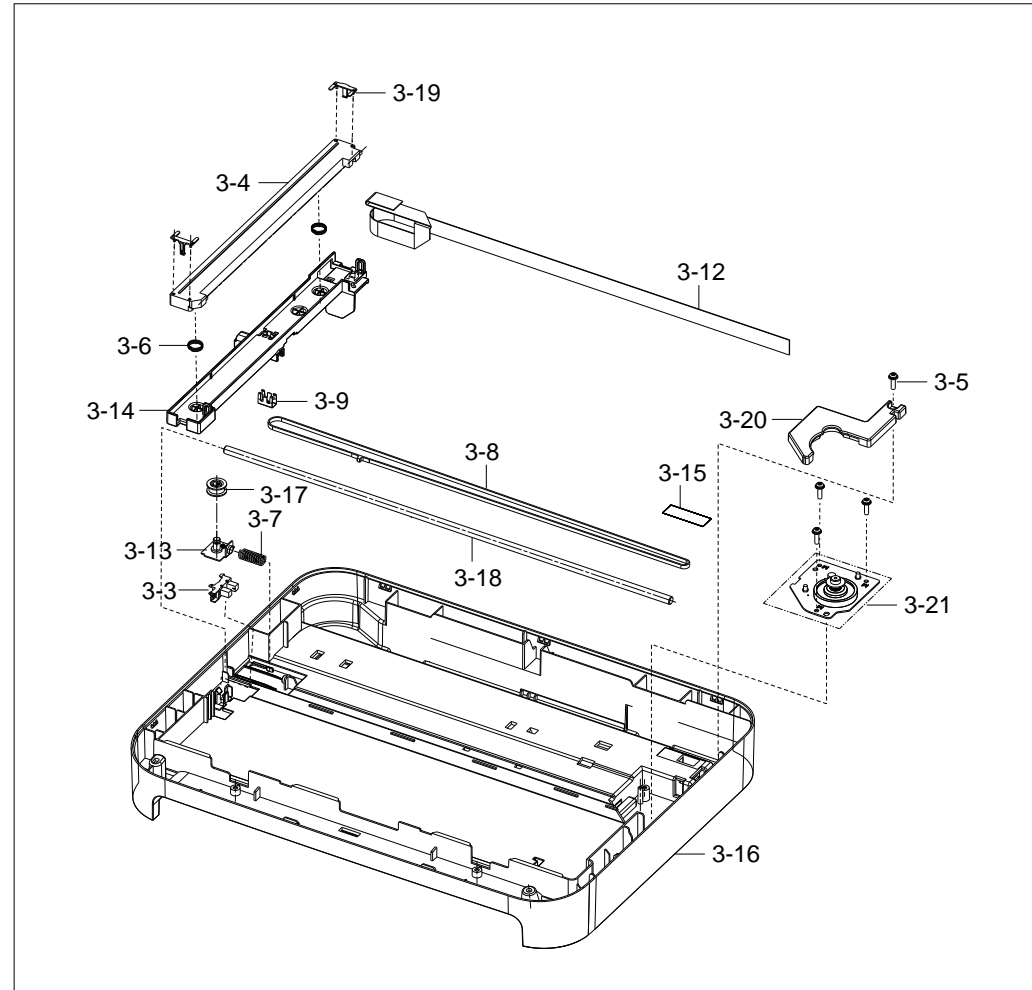
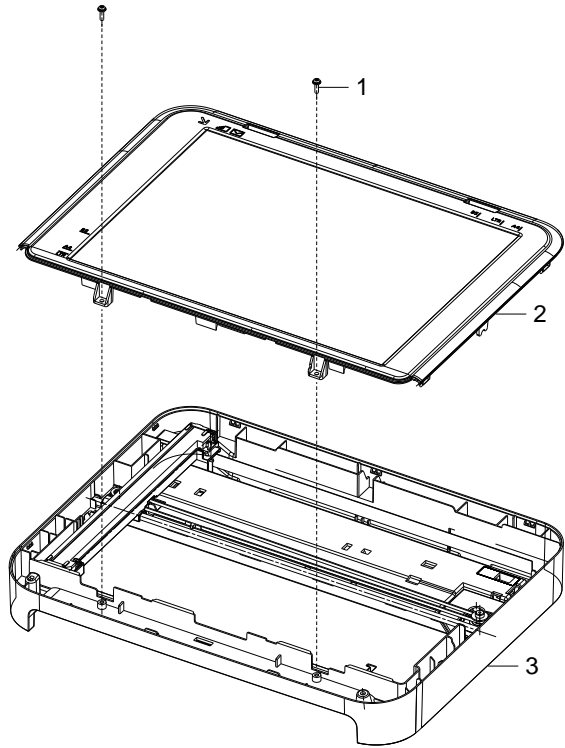
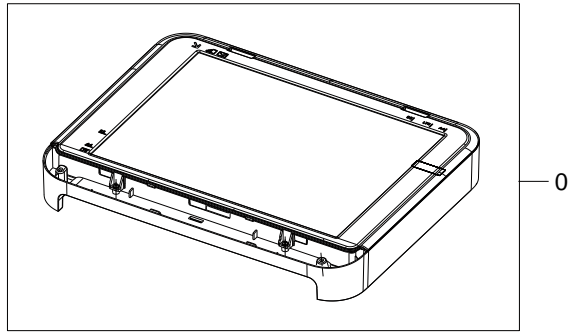
## SCANNER Parts List

SA : SERVICE AVAILABLE, SNA : SERVICE not AVAILABLE

Drawer#	SEC_Code	Description	QT'y	Service	Remark
13-9	JC64-00590A	KEY-POWER HOLDER	1	SNA	
13-10	JC64-00591A~C	KEY-PRINT_SCREEN	1	SA	A : SCX-3200 B : SCX-3205W C : SCX-3205
13-11	JC64-00592A	KEY-START	1	SNA	
13-12	JC67-00481A	LENS-STATUS	1	SNA	
13-13	JC73-00334A	RUBBER-OPE	1	SNA	
13-14	JC92-02319A~B	PBA-OPE	1	SA	A : SCX-3200,SCX-3205 B : SCX-3205W
14	JC97-03207A	MEA HOU-LINK	1	SNA	
15	JC97-03816A~B	PLATEN	1	SA	Refer to 2A. PLATEN

Drawer#	SEC_Code	Description	QT'y	Service	Remark
16	JC97-03817A~G	PLATEN-COVER	1	SA	A : SCX-3200 B : SCX-3201 C : SCX-3210K D : SCX-3205W E : SCX-3205WK F : SCX-3205 G : SCX-3205K
16-1	JB63-00482A	SHEET-WHITE	1	SA	
16-2	JC63-02791A~G	COVER-PLATEN	1	SA	A : SCX-3200 B : SCX-3201 C : SCX-3210K D : SCX-3205W E : SCX-3205WK F : SCX-3205 G : SCX-3205K
16-3	JC61-00929B	HINGE-PIVOT	2	SNA	

## 2A. PLATEN



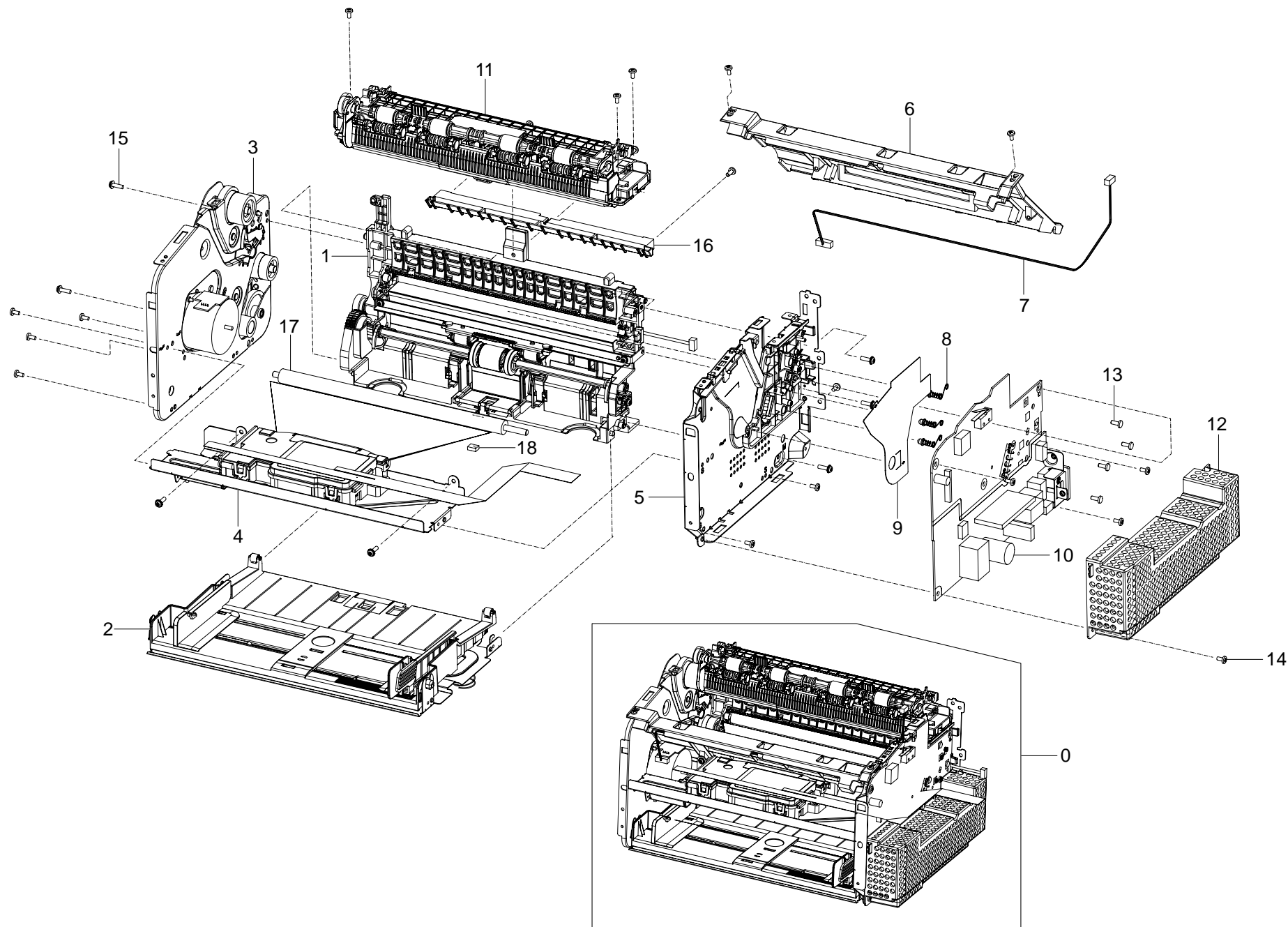
## PLATEN Parts List

SA : SERVICE AVAILABLE, SNA : SERVICE not AVAILABLE

Drawer#	SEC_Code	Description	QT'y	Service	Remark
0	JC97-03816A~B	PLATEN	1	SA	A : CREMAGRAY B : BLACK
1	6003-000196	SCREW-TAPTYPE	1	SA	
2	JC97-03818A~B	PLATEN-UPPER	1	SA	A : CREMAGRAY B : BLACK
3	JC97-03819A	PLATEN-LOWER	1	SA	
3-3	0604-001415	PHOTO-INTERRUPTER	1	SA	
3-4	0609-001396	CONTACT IMAGE SENSOR	1	SA	
3-5	6003-000196	SCREW-TAPTYPE	4	SA	
3-6	6107-001137	SPRING-CS	2	SA	
3-7	6107-001194	SPRING-CS	1	SA	
3-8	6602-001637	BELT-TIMING GEAR	1	SA	
3-9	JB61-00232A	CLIP-P-BELT	1	SA	

Drawer#	SEC_Code	Description	QT'y	Service	Remark
3-10	JC39-01059A	HARNESS-PAPER_SIZE	1	SA	
3-11	JC39-01412A	HARNESS-OPE	1	SA	
3-12	JC39-01420A	FLAT CABLE	1	SNA	
3-13	JC61-00931A	BRACKET-P-PULLEY	1	SNA	
3-14	JC61-02506A	BRACKET-CIS	1	SNA	
3-15	JC63-02633A	SHEET-BRACKET HINGE	1	SA	
3-16	JC63-02788A	COVER-SCAN_LOWER	1	SNA	
3-17	JC66-00713A	PULLEY-M_IDLE	1	SNA	
3-18	JC66-01448A	SHAFT-CIS	1	SA	
3-19	JC66-01580A	SLIDER-CIS	1	SA	
3-20	JC67-00485A	CAP-SCAN_MOTOR	1	SNA	
3-21	JC93-00263A	DRIVE PLATEN	1	SA	

### 3. FRAME



## FRAME Parts List

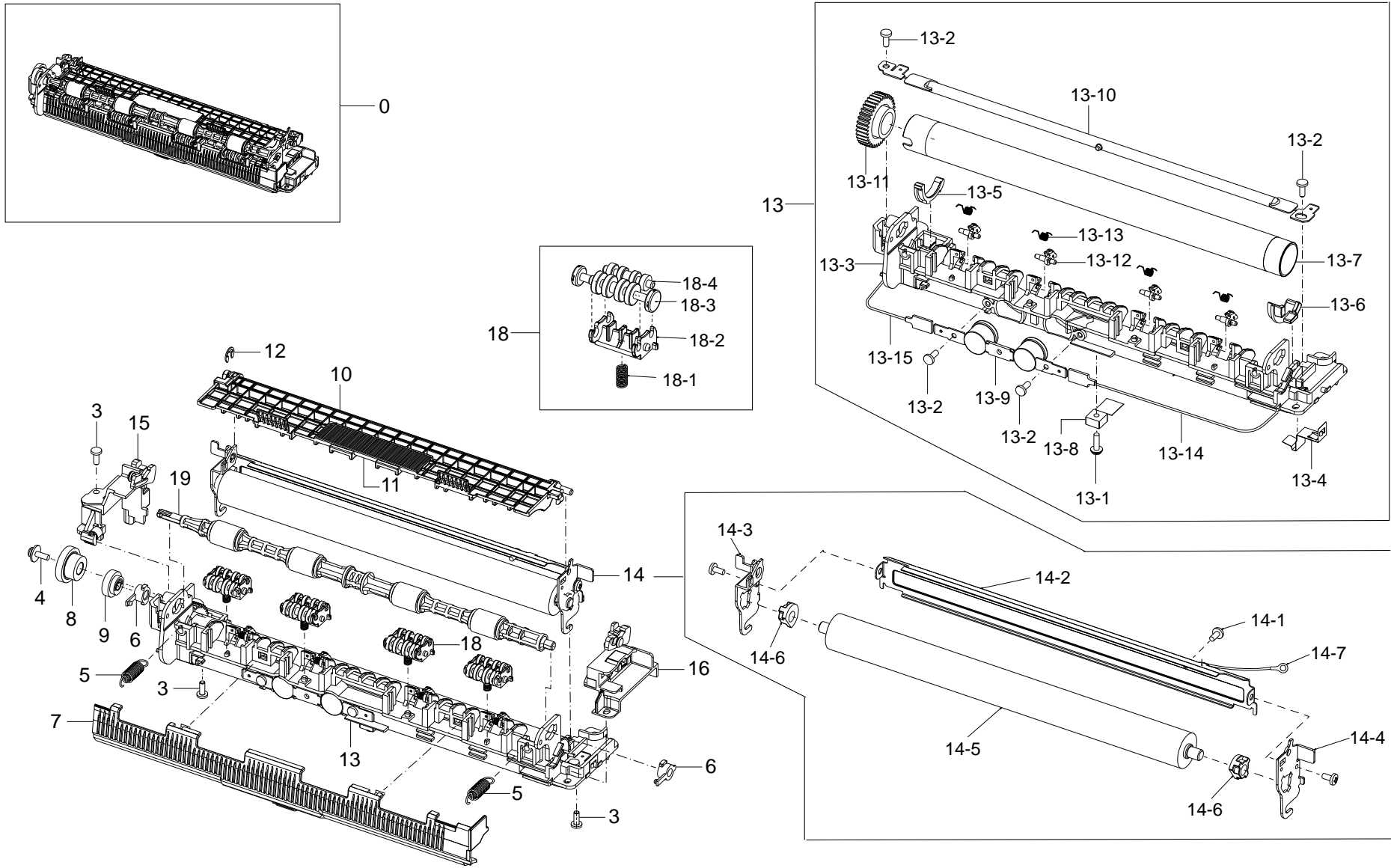
SA : SERVICE AVAILABLE, SNA : SERVICE not AVAILABLE

Drawer#	SEC_Code	Description	QT'y	Service	Remark
0	JC93-00262A~C	FRAME	1	SNA	A:220V,UK B:110V,USA C:220V,CHINA,KOREA
1	JC93-00214B	FRAME-PAPER PATH	1	SA	Refer to 3B
2	JC93-00221B	FRAME MAIN-BOTTOM	1	SNA	Refer to 3E
3	JC93-00218A	FRAME MAIN-LEFT	1	SA	Refer to 3C
4	JC93-00220A	FRAME MAIN-MIDDLE	1	SA	Refer to 3D
5	JC93-00219A	FRAME MAIN-RIGHT	1	SA	Refer to 3D
6	JC63-02608A	COVER-LSU	1	SA	
7	JC39-01354A	HARNESS-MOTOR	1	SNA	
8	JC93-00217A	FRAME-TERMINAL	3	SA	

Drawer#	SEC_Code	Description	QT'y	Service	Remark
9	JC63-02758A	SHEET-INSULATOR	1	SA	
10	JC44-00194A	SMPS/HVPS-V1	1	SA	110V
10	JC44-00195A	SMPS/HVPS-V2	1	SA	220V
11	JC91-00991A~C	FUSER	1	SA	Refer to 3A
13	6003-000282	SCREW-TAPTYPE	5	SNA	
14	6003-000269	SCREW-TAPTYPE	16	SA	
15	6003-000196	SCREW-TAPTYPE	8	SA	
16	JC61-03775A	GUIDE-INPUT	1	SA	
17	JC66-02709A	ROLLER-TRANSFER	1	SA	
18	JC72-01444A	SPONGE-GUIDE CHANGE	1	SNA	



### 3A. FUSER



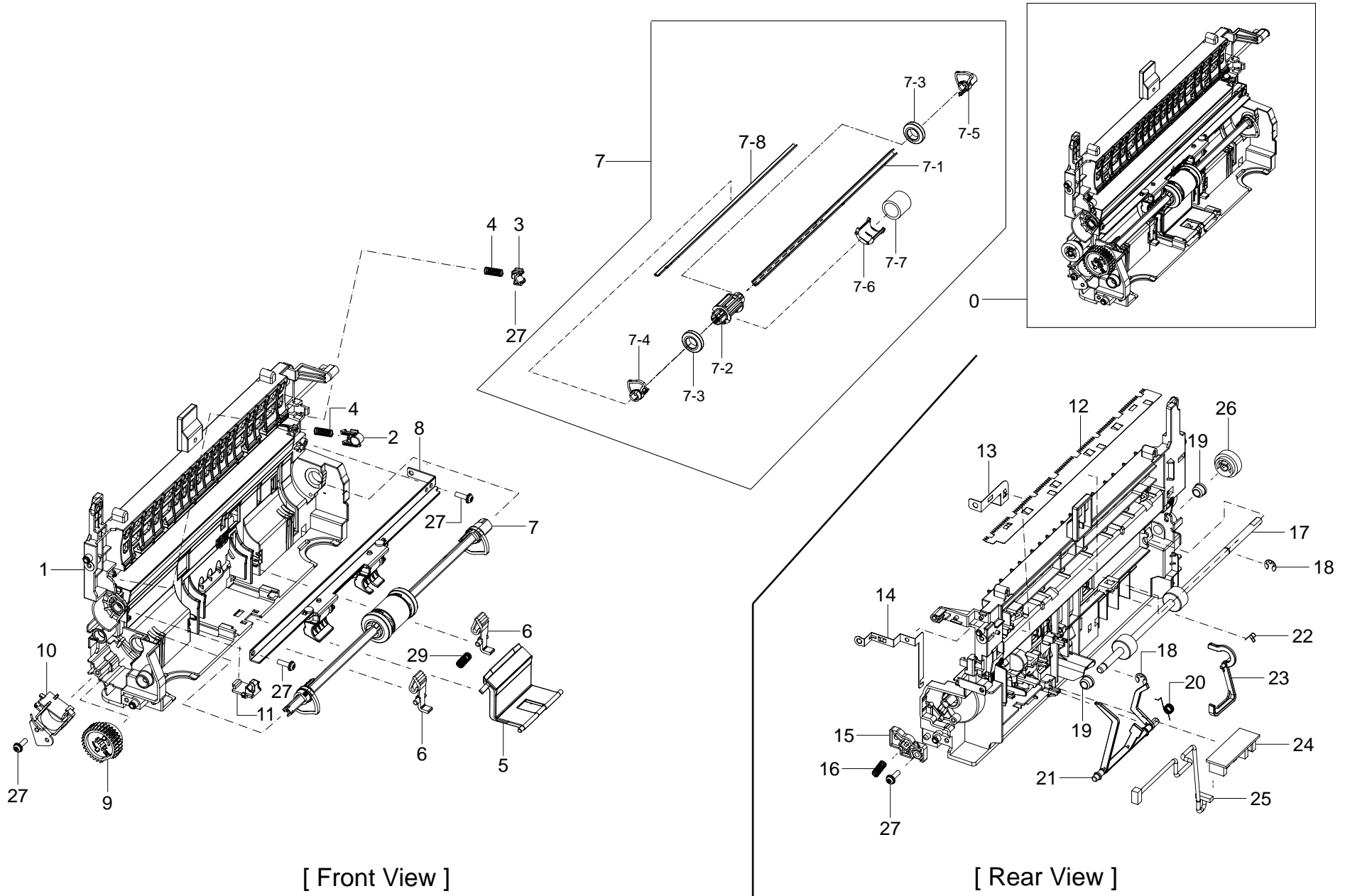
## FUSER Parts List

SA : SERVICE AVAILABLE, SNA : SERVICE not AVAILABLE

Drawer#	SEC_Code	Description	QT'y	Service	Remark
0	JC91-00991A	FUSER	1	SA	110V
0	JC91-00991B	FUSER	1	SA	220V
0	JC91-00991C	FUSER	1	SA	220V/China, Korea
3	6003-000282	SCREW-TAPTYPE	3	SNA	
4	6006-001078	SCREW-TAPTYPE	1	SA	
5	6107-002664	SPRING-ES	2	SA	
6	JC61-03782A	BUSH-SHAFT_EXIT	2	SNA	
7	JC63-02616A	COVER-EXIT	1	SNA	
8	JC66-02583A	GEAR-EXIT DRV	1	SNA	
9	JC66-02589A	GEAR-EXIT	1	SNA	
10	JC63-02613A	COVER-FUSER_DUMMY	1	SNA	
11	JC68-01581C	LABEL-CAUTION	1	SNA	
12	6044-000125	RING-E	1	SA	
13	JC91-00983A	FUSER-UPPER	1	SNA	110V
13	JC91-00983B	FUSER-UPPER	1	SNA	220V
13	JC91-00983C	FUSER-UPPER	1	SNA	220V/China, Korea
13-1	6003-000196	SCREW-TAPTYPE	1	SA	
13-2	6003-000282	SCREW-TAPTYPE	4	SNA	
13-3	JC63-02612A	COVER-FUSER	1	SNA	
13-4	JC63-02617A	GROUND-HR	1	SNA	
13-5	JC61-03754A	BUSH-HR_L	1	SA	
13-6	JC61-03755A	BUSH-HR_R	1	SA	
13-7	JC66-02715A	ROLLER-HEAT	1	SA	Others
13-7	JC66-00601C	ROLLER-HEAT	1	SA	220V/China, Korea
13-8	1404-001541	THERMISTOR-NTC ASSY	1	SA	
13-9	4712-001031	THERMOSTAT	1	SA	
13-10	4713-001519	LAMP-HALOGEN	1	SA	110V
13-10	4713-001520	LAMP-HALOGEN	1	SA	220V
13-11	JC66-00564A	GEAR-FUSER Z37	1	SA	

Drawer#	SEC_Code	Description	QT'y	Service	Remark
13-12	JC61-03970A	GUIDE-CLAW	4	SNA	Others
13-12	JC61-03970B	GUIDE-CLAW	4	SNA	220V/China, Korea
13-13	6107-002674	SPRING-TS	4	SA	
13-14	JC39-01355A	HARNESS-FUSER	1	SA	
13-15	JC39-01356A	HARNESS-FUSER_JOINT	1	SNA	
13-16	JC66-02828A	SHAFT-IDLE	3	SNA	220V/China, Korea Only
13-17	JC66-02010A	ROLLER-IDLE	3	SNA	220V/China, Korea Only
14	JC91-00984A	FUSER-LOWER	1	SNA	Others
14	JC91-00984B	FUSER-LOWER	1	SNA	220V/China, Korea
14-1	6003-000269	SCREW-TAPTYPE	3	SA	
14-2	JC61-03779A	FRAME-FUSER	1	SNA	
14-3	JC61-03783A	BRACKET-PR_L	1	SNA	
14-4	JC61-03784A	BRACKET-PR_R	1	SNA	
14-5	JC66-02716A	ROLLER-PRESSURE	1	SA	Others
14-5	JC66-02716B	ROLLER-PRESSURE	1	SA	220V/China, Korea
14-6	JC61-03756A	BUSH-PR	2	SA	
14-7	JB39-00017A	CBF HARNESS-EARTH (TX MOTOR)	1	SC	
15	JC91-00987A	FUSER-LEFT	1	SNA	
16	JC91-00986A	FUSER-RIGHT	1	SNA	
18	JC91-00988A	FUSER-GUIDE HOLDER R	4	SNA	Others
18	JC91-00989A	FUSER-GUIDE HOLDER L	4	SNA	220V/China, Korea
18-1	6107-002665	SPRING-CS	1	SA	
18-2	JC61-03781A	HOLDER-EXIT_F_DOWN	1	SA	
18-3	JC66-02742A	ROLLER-EXIT_MAIN	1	SA	
18-4	JC66-02551B	ROLLER-EXIT_FR	1	SNA	Others
18-4	JC66-00934A	ROLLER-EXIT_FR	1	SNA	220V/China, Korea
19	JC91-00985A	FUSER-EXIT ROLLER	1	SNA	

### 3B. FRAME-PAPER PATH



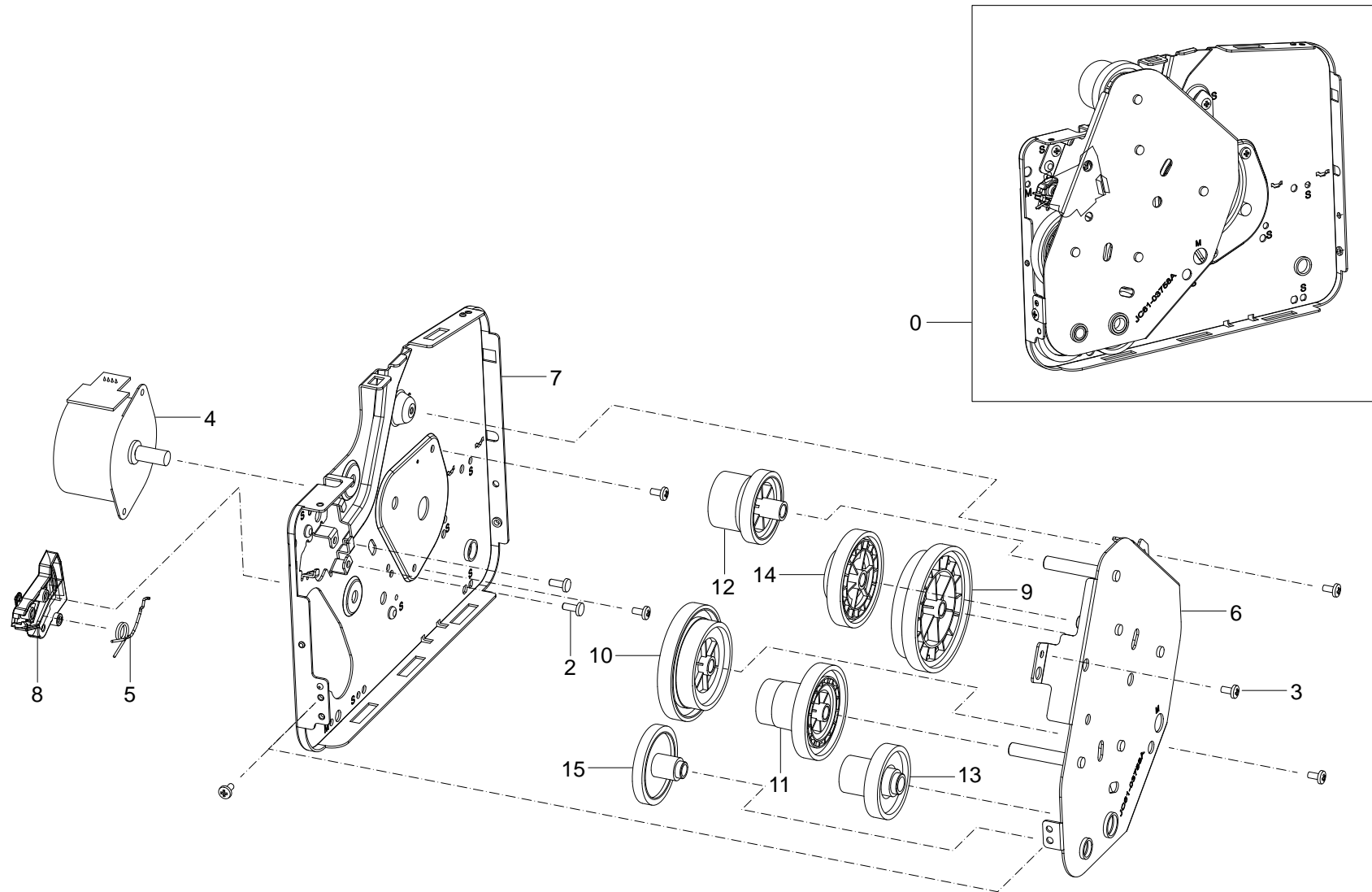
## FRAME-PAPER PATH Parts List

SA : SERVICE AVAILABLE, SNA : SERVICE not AVAILABLE

Drawer#	SEC_Code	Description	QT'y	Service	Remark
0	JC93-00214B	FRAME-PAPER PATH	1	SA	
1	JC61-03778A	GUIDE-PAPER PATH	1	SA	
2	JC61-03777A	BUSH-TR L	1	SNA	
3	JC61-03776A	BUSH-TR R	1	SNA	
4	JC61-70940A	SPRING-CS	2	SA	
5	JC93-00211A	FRAME-HOLDER PAD	1	SA	
6	JC66-02592A	LEVER-KICKER PU	2	SNA	
7	JC93-00212A	FRAME-PICKUP	1	SA	
7-1	JC61-03774A	BRACKET-SHAFT_PICKUP	1	SNA	
7-2	JC61-03763A	HOUSING-PICKUP A	1	SA	
7-3	JC61-03763A	ROLLER-PICKUP_IDLE	2	SNA	
7-4	JC66-02594A	CAM-PICKUP_L	1	SNA	
7-5	JC66-02593A	CAM-PICKUP_R	1	SNA	
7-6	JC61-03764A	HOUSING-PICKUP B	1	SA	
7-7	JC73-00321A	RUBBER-PICK UP	1	SA	
7-8	JC61-01281A	BRACKET-P-BAR_PICK UP	1	SNA	
8	JC93-00223A	FRAME-FEED IDLE	1	SA	
9	JC93-00213A	FRAME-PICKUP GEAR	1	SA	
10	JC33-00028C	SOLENOID-MP	1	SNA	

Drawer#	SEC_Code	Description	QT'y	Service	Remark
11	JC61-03969A	HINGE-HOLDER_PAD	1	SNA	
12	JC61-00604A	PLATE-P-SAW	1	SA	
13	JC63-02625A	GROUND-SAW	1	SNA	
14	JC63-02626A	GROUND-THV	1	SNA	
15	JC61-01548A	HOLDER-M-CAM	1	SA	
16	JC61-70940A	SPRING ETC-TR(12)	1	SA	
17	JC66-02598A	ROLLER-FEED	1	SNA	
18	6044-000125	RING-E	2	SA	
19	JB72-00819A	PMO-BUSH	2	SA	
20	6107-002634	SPRING-TS	1	SA	
21	JC66-02591A	ACTUATOR-EMPTY	1	SA	
22	6107-002633	SPRING-TS	1	SA	
23	JC66-02590A	ACTUATOR-FEED	1	SA	
24	JC92-02288A	PBA-FEED SENSOR	1	SA	
25	JC39-01411A	HARNESS-FEED SENSOR	1	SA	
26	JC66-02585A	GEAR-FEED	1	SNA	
27	6003-000196	SCREW-TAPTYPE	7	SA	
29	6107-002617	SPRING-CS	1	SA	

### 3C. FRAME MAIN-LEFT



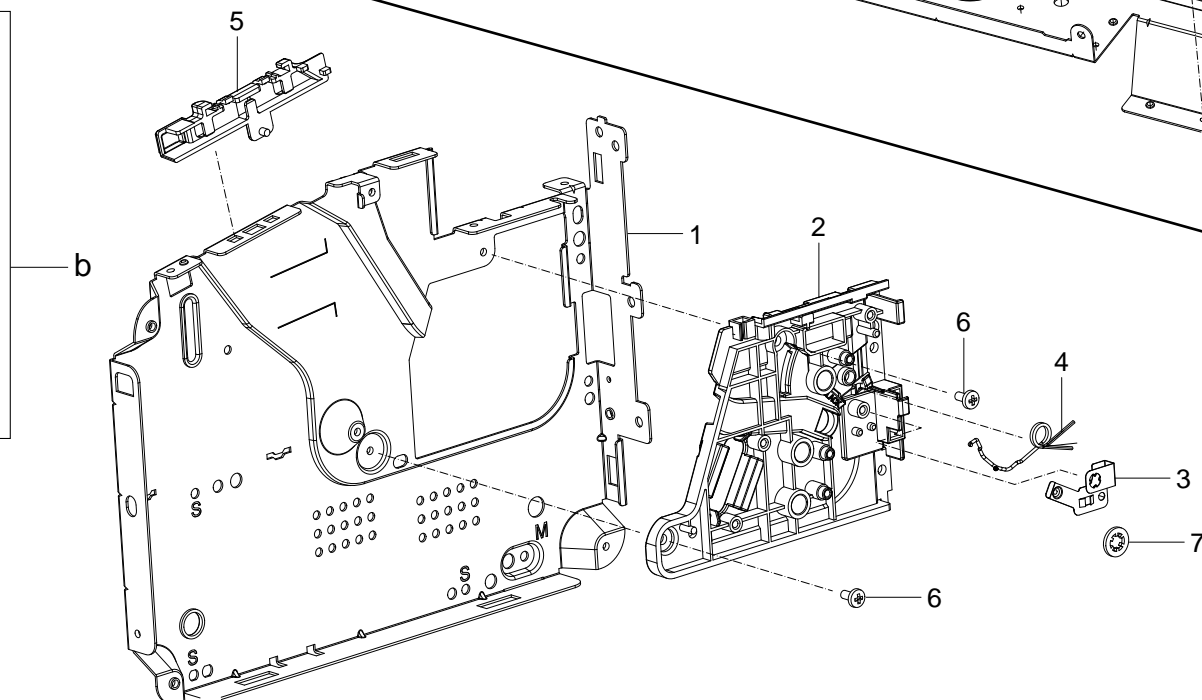
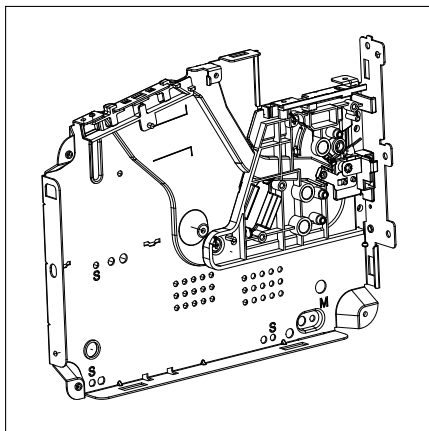
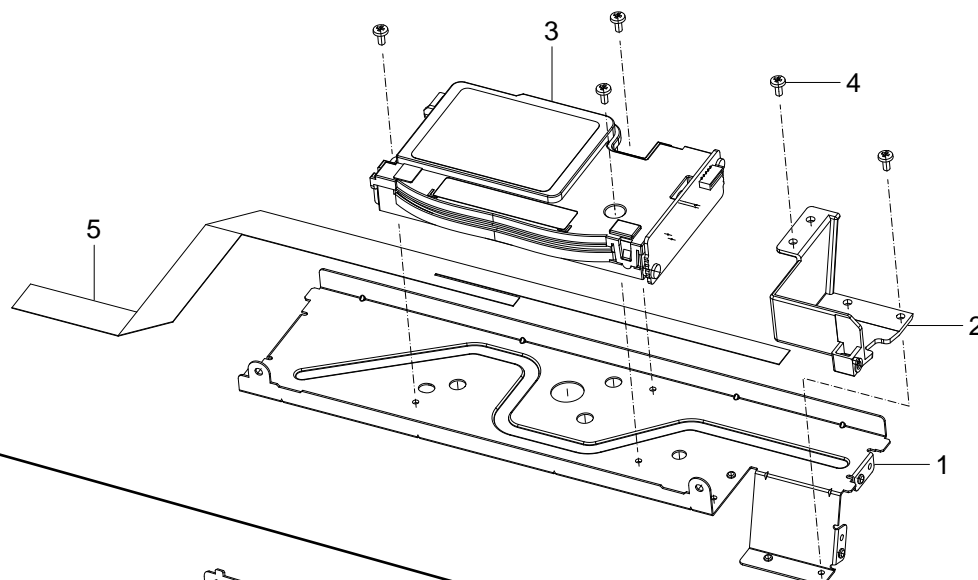
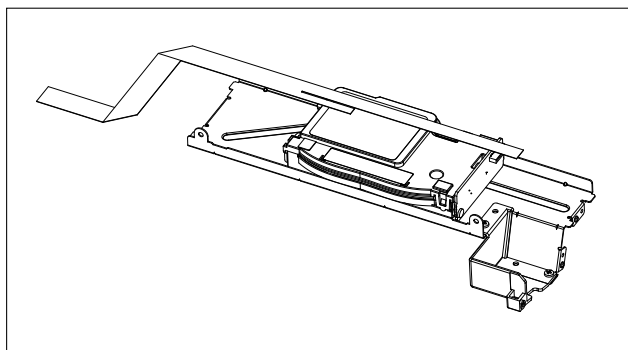
## FRAME MAIN-LEFT Parts List

SA : SERVICE AVAILABLE, SNA : SERVICE not AVAILABLE

Drawer#	SEC_Code	Description	QT'y	Service	Remark
0	JC93-00218A	FRAME MAIN-LEFT	1	SA	
2	6003-000282	SCREW-TAPTYPE	2	SNA	
3	6003-000269	SCREW-TAPTYPE	6	SA	
4	JC31-00134B	MOTOR STEP	1	SA	
5	6107-002626	SPRING-TS	1	SA	
6	JC61-03758A	BRACKET-GEAR	1	SNA	
7	JC61-03760A	FRAME-LEFT	1	SNA	
8	JC61-03766A	GUIDE-DEVE RAIL L	1	SA	

Drawer#	SEC_Code	Description	QT'y	Service	Remark
9	JC66-02578A	GEAR-RDCN A	1	SNA	
10	JC66-02586A	GEAR-RDCN OPC	1	SNA	
11	JC66-02581A	GEAR-OPC DRV	1	SNA	
12	JC66-02582A	GEAR-FUSER DRV	1	SNA	
13	JC66-02580A	GEAR-RDCN FEED	1	SNA	
14	JC66-02579A	GEAR-RDCN FUSER	1	SNA	
15	JC66-02584A	GEAR-FEED DRV	1	SNA	

### 3D. FRAME MAIN-RIGHT and MIDDLE



## FRAME MAIN-RIGHT and MIDDLE Parts List

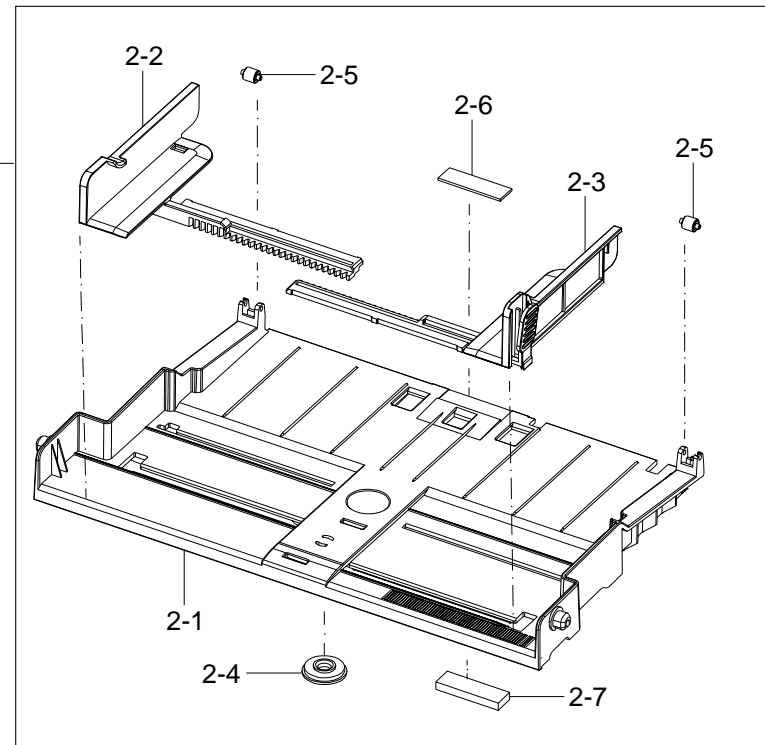
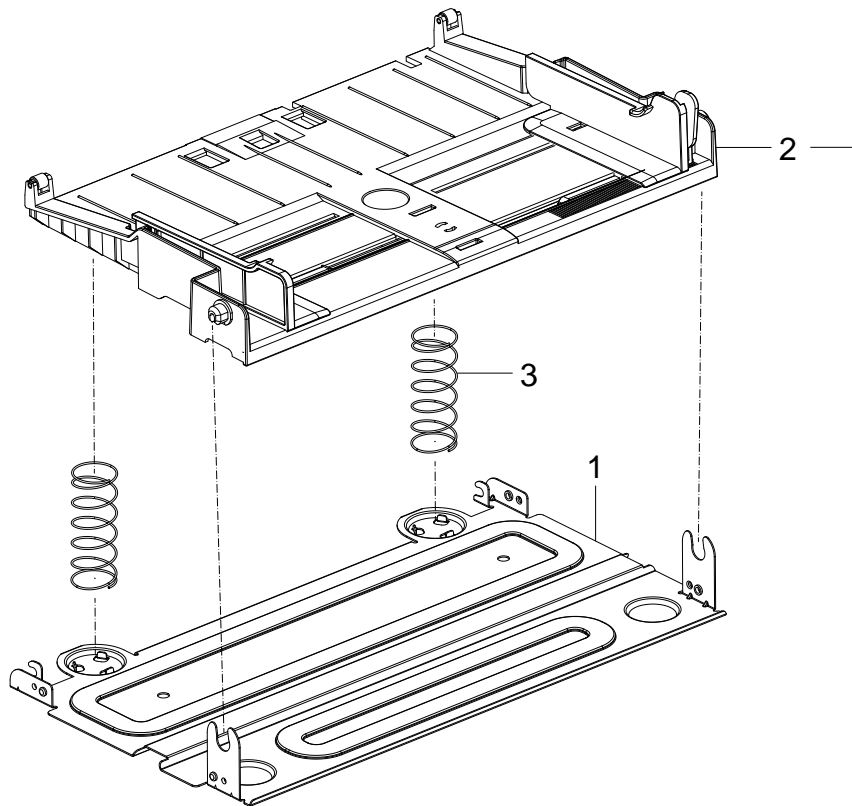
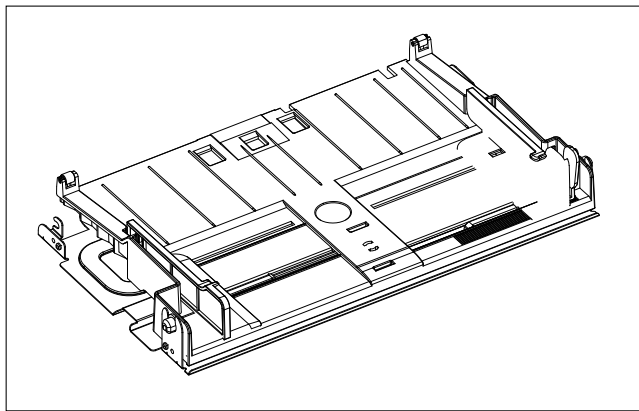
SA : SERVICE AVAILABLE, SNA : SERVICE not AVAILABLE

Drawer#	SEC_Code	Description	QT'y	Service	Remark
a	JC93-00220A	FRAME MAIN-MIDDLE	1	SA	
1	JC61-03769A	BRACKET-LSU	1	SA	
2	JC63-02609A	COVER-MOTOR	1	SA	
3	JC97-03775A	LSU	1	SA	
4	6003-000269	SCREW-TAPTYPE	5	SA	
5	JC39-01358A	FLAT CABLE	1	SNA	

Drawer#	SEC_Code	Description	QT'y	Service	Remark
b	JC93-00219A	FRAME MAIN-RIGHT	1	SA	
1	JC61-03761A	FRAME-RIGHT	1	SNA	
2	JC61-03767A	GUIDE-DEVE RAIL R	1	SA	
3	JC63-02606A	GROUND-OPC	1	SNA	
4	6107-002625	SPRING-TS	1	SA	
5	JC61-03765A	HOLDER-HARNESS	1	SA	
6	6003-000269	SCREW-TAPTYPE	2	SA	
7	6044-000001	CS-RING	1	SA	



### 3E. FRAME MAIN-BOTTOM



## FRAME MAIN-BOTTOM Parts List

SA : SERVICE AVAILABLE, SNA : SERVICE not AVAILABLE

Drawer#	SEC_Code	Description	QT'y	Service	Remark
0	JC93-00221B	FRAME MAIN-BOTTOM	1	SNA	
1	JC61-03762A	FRAME-BOTTOM	1	SA	
2	JC93-00216B	FRAME-PLATE KNOCK UP	1	SA	
2-1	JC61-03788A	PLATE-KNOCKUP	1	SNA	
2-2	JC70-00580A	ADJUST-CASSETTE_L	1	SA	
2-3	JC70-00588A	ADJUST-CASSETTE_R	1	SA	

Drawer#	SEC_Code	Description	QT'y	Service	Remark
2-4	JG66-40003A	GEAR-PINION	1	SA	
2-5	JC72-01585A	PMO-IDLE KNOCK UP MP	2	SA	
2-6	JC74-00011A	MPR-PAD KNOCK UP MP	1	SA	
2-7	JC72-01581A	SPONGE-PICKUP	1	SA	
3	6107-002592	SPRING-CS	2	SA	