

# 8. Exploded Views and Parts List

8.1 Main Assembly Exploded view .....	page(5-2)
8.2 Rx Drive Ass'y Exploded view .....	page(5-5)
8.3 ADF Assembly Exploded view .....	page(5-6)
8.4 OPE Assembly Exploded view(SCX-4216F) .....	page(5-10)
8.5 OPE Assembly Exploded view(SCX-4116/4016) .....	page(5-12)
8.6 Scanner Assembly Exploded view .....	page(5-14)
8.7 Middle Cover Assembly Exploded view .....	page(5-16)
8.8 Frame Ass'y Exploded view .....	page(5-17)
8.9 Fuser Ass'y Exploded view .....	page(5-20)
8.10 Cassette Ass'y Exploded view .....	page(5-22)

- Deal drawings and service parts are declared for the items with higher rate of inferiority and replaceable in the level of service description only.
- If inferiority occurs, you can replace the parts by the unit declared in deal drawings and service items.

## Way to observe Part Code & Description

Part code and Description is quoted and controlled by determined standard. Refer to this determined standard, it will help with ordering Part.

- There are two kinds of Part code inscription type.

●●●●●-●●●●●●●●	ex ) 2007-007961	R-CHIP
■●●●●-●●●●●■	ex ) JB96-01268A	ELA UNIT-COVER TOP

It shows part specific

( ● : figure, ■ : character (alphabet) )

**Type 1** : Controlled by Company : It can be commonly used for all kinds of product SEC produce. Mostly, electronics Parts.

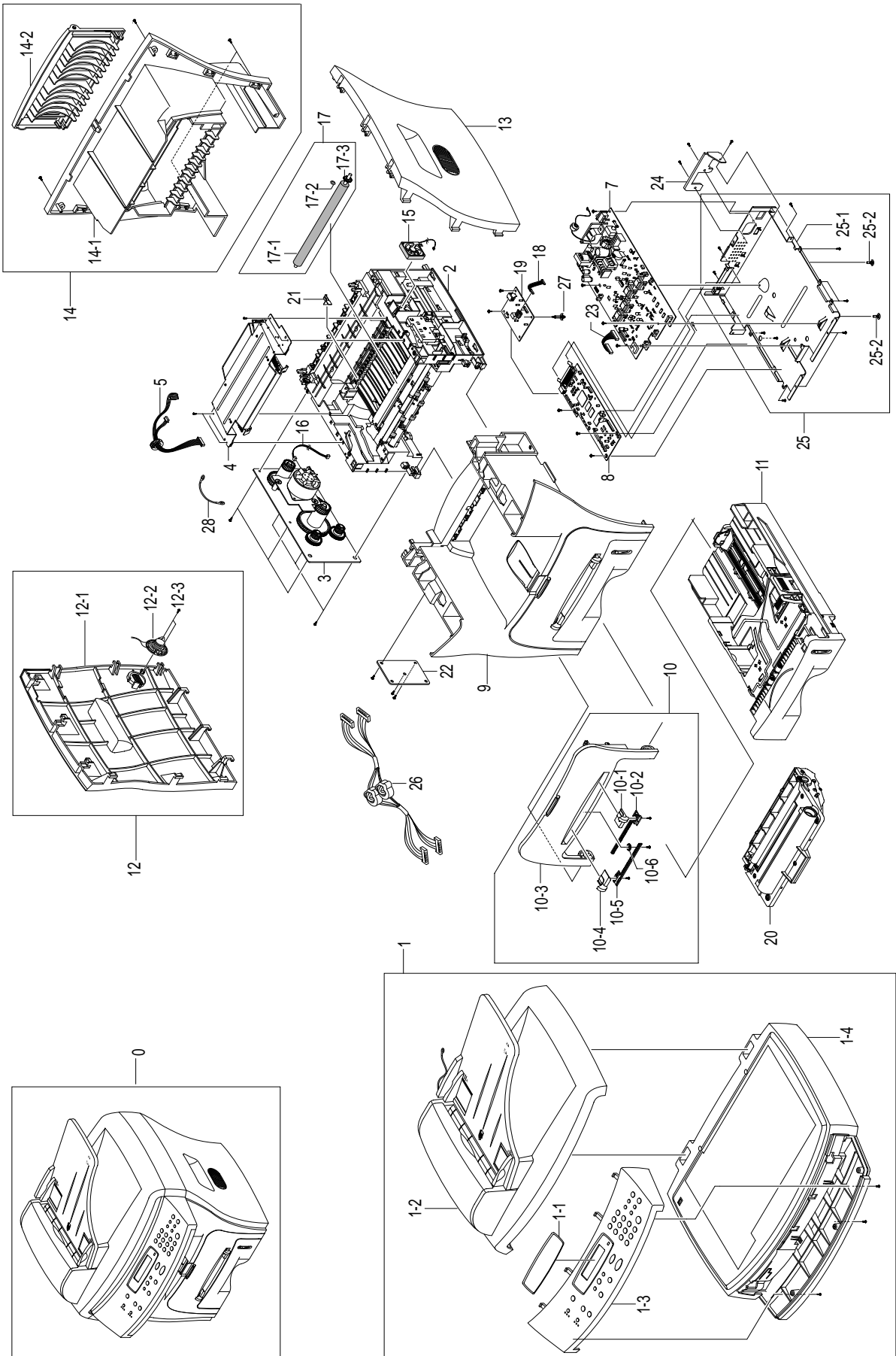
**Type 2** : Controlled by Division : It is used or one produce. Mostly, Mostly, mechanical Parts.

- **A/S privately used part** : It is only used for A/S .
- **Ass'y part** : Assembled by more than 2 Parts. If necessary part is not A/S Part, Ass'y part including necessary par can be used. It is shown in the diagram and drawing of SVC manual.

• Ass'y part and A/S privately used Part is distinguished by part Code and Description. The are inscription type 2. It is recognized by Part character and front side of description.

DIVISION	PART CODE	DESCRIPTION
A/S Private	**81-***** (JB81-00039A)	AS-***** (AS-USE)
ASS'Y Part	**75-***** (JB75-00068A)	MEC-***** (MEC-CHUTE)
ASS'Y Part	**92-***** (JB92-01131A)	PBA ***** (PBA MAIN-CONTROLLER)
ASS'Y Part	**97-***** (JB97-01089A)	MEA ***** (MEA UNIT-PULLEY IDLE)

# 8.1 Main Assembly



## Main Assembly Parts List

SA : Service Available

O : Service available X : Service not available

No.	Description	SEC.Code	Q'ty	SA	Remark
0	SCX-4216F / SCX-4116 / SCX-4016				
1	ELA HOU-UNIT SCAN	JC96-02669A	1	O	SCX-4216F
	ELA HOU-UNIT SCAN(4116)	JC96-02790A	1	O	SCX-4116
	ELA HOU-UNIT SCAN	JC96-02788A	1	O	SCX-4016
1-1	COVER-LCD WINDOW	JC63-00251A	1	O	
1-2	ELA HOU-ADF	JC81-01700A	1	O	
1-3	ELA HOU-OPE	JC81-01695A	1	O	SCX-4216F
	ELA HOU-OPE(3IN1)	JC81-01697A	1	O	SCX-4116
	ELA HOU-OPE(3IN1)	JC81-01698A	1	O	SCX-4016
1-4	ELA HOU-PLATEN	JC81-01703A	1	O	
2	ELA HOU-UNIT FRAME_110V	JC96-02731A	1	O	110V
3	ELA UNIT-RX DRIVE	JC96-02733A	1	O	
4	UNIT-HUMMINGBIRD LSU	JC59-00018A	1	O	
5	CBF HARNESS-LSU	JC39-00242A	1	O	
7	SMPS-SMPS(V1)+HVPS	JC44-00044A	1	O	110V
8	PBA MAIN-MAIN	JC92-01431A	1	O	SCX-4216F
	PBA MAIN-COPIER	JC92-01463A	1	O	SCX-4116 / 4016
9	MEA UNIT-COVER MIDDLE	JC97-01723A	1	O	
10	MEA UNIT-COVER FRONT(SEC)	JC97-01746F	1	O	
10-1	ADJUST-M-MANUAL_R	*	1	X	
10-2	ADJUST RACK-M-MANUAL	*	2	X	
10-3	COVER-M_FRONT(ROCKY)	*	1	X	
10-4	ADJUST-M-MANUAL_L	*	1	X	
10-5	GEAR-RACK_PINION	*	1	X	
11	MEA UNIT-CASSETTE, USA	JC97-01750A	1	O	
12	ELA HOU-COVER SIDE L	JC96-02709A	1	O	SCX-4216F
12-1	COVER-M-SIDE L	*	1	X	
12-2	SPEAKER	*	1	X	
12-3	SCREW-TAPTITE	*	2	X	
12	COVER-M-SIDE L	JC63-00137A	1	O	SCX-4116 / 4016
13	COVER-M-SIDE R	JC63-00138A	1	O	
14	MEA UNIT-COVER REAR	JC97-01724D	1	O	
14-1	COVER-M-REAR	JC63-00140D	1	O	
14-2	COVER-M-FACE UP	JC63-00142A	1	O	
15	FAN-DC_HUMMINGBIRD	JC31-00027A	1	O	
16	CBF HARNESS-MOTOR	JC39-00241A	1	O	
17	MEA ETC-TR	JC97-01793A	1	O	
17-1	ROLLER-TRANSFER ROLLER	JC66-00528A	1	O	
17-2	GEAR-TRANSFER	JC66-00395A	1	O	

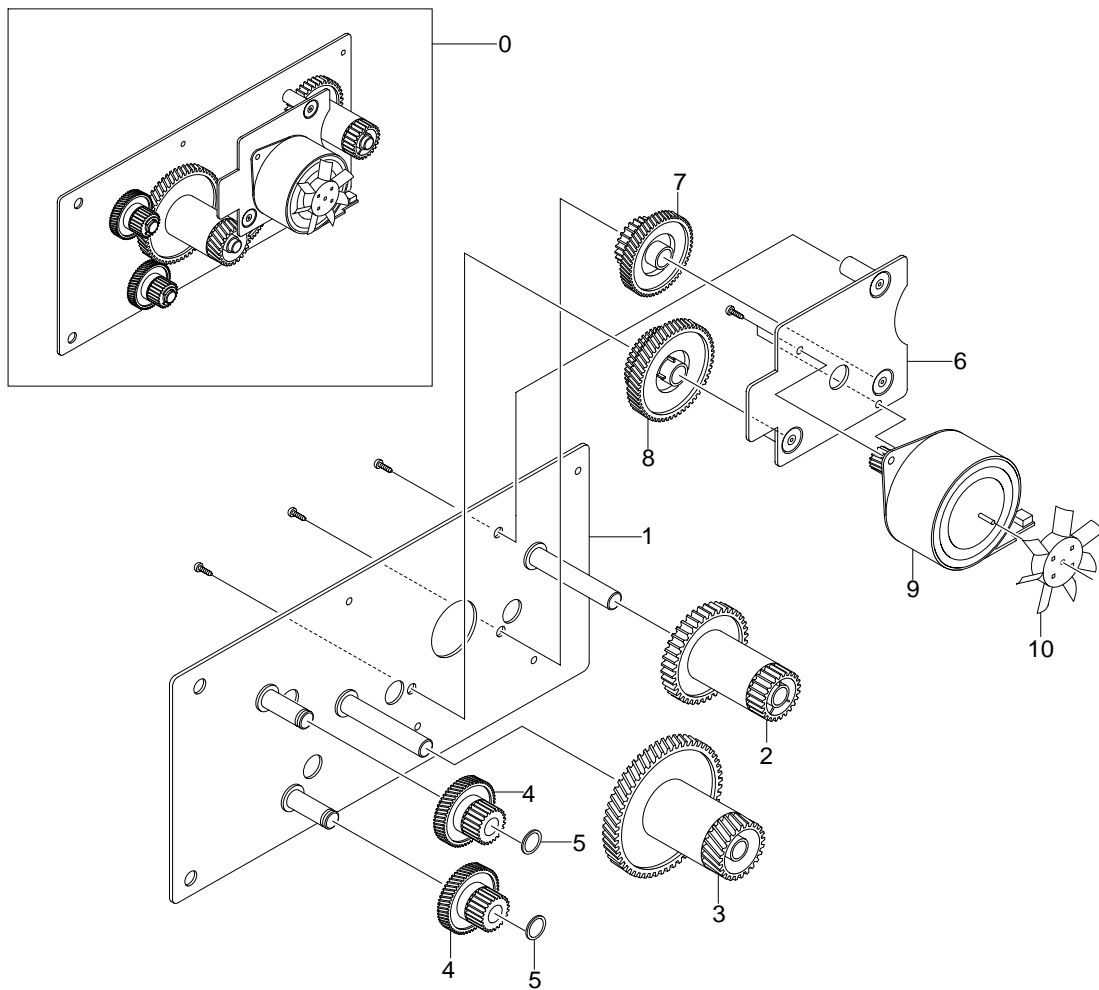
## Main Assembly Parts List(cont.)

SA : Service Available

O : Service available X : Service not available

No.	Description	SEC.Code	Q'ty	SA	Remark
17-3	PPR-SPACER_TR	JC72-00851A	1	O	
18	CBF SIGNAL-LIU	JC39-00270A	1	O	SCX-4216F Only
19	PBA SUB-LIU_USA_EXT	JC92-01481C	1	O	SCX-4216F Only
20	ELA-TONER UNIT	*	1	X	
21	PLATE-P-CHANNEL	JC61-00606A	1	O	
22	PBA SUB-CONN	JC81-01718A	1	O	
23	CBF HARNESS-ENGINE	JC39-00240B	1	O	
24	BRACKET-P-INLET, ROCKY	JC61-00693A	1	O	
25	MEA UNIT-SHIELD ENGINE	JC97-01794A	1	O	
25-1	SHIELD-ENGINE, ROCKY	JC63-00144A	1	O	
25-2	SUPPORTER	6103-001056	2	O	
26	CBF HARNESS-SCAN	JC39-00268A	1	O	
27	SUPPORTER	6103-001048	1	O	
28	CBF-HARNESS-DUPLEX GND	JC39-00090A	1	O	

## 8.2 RX Drive Assembly



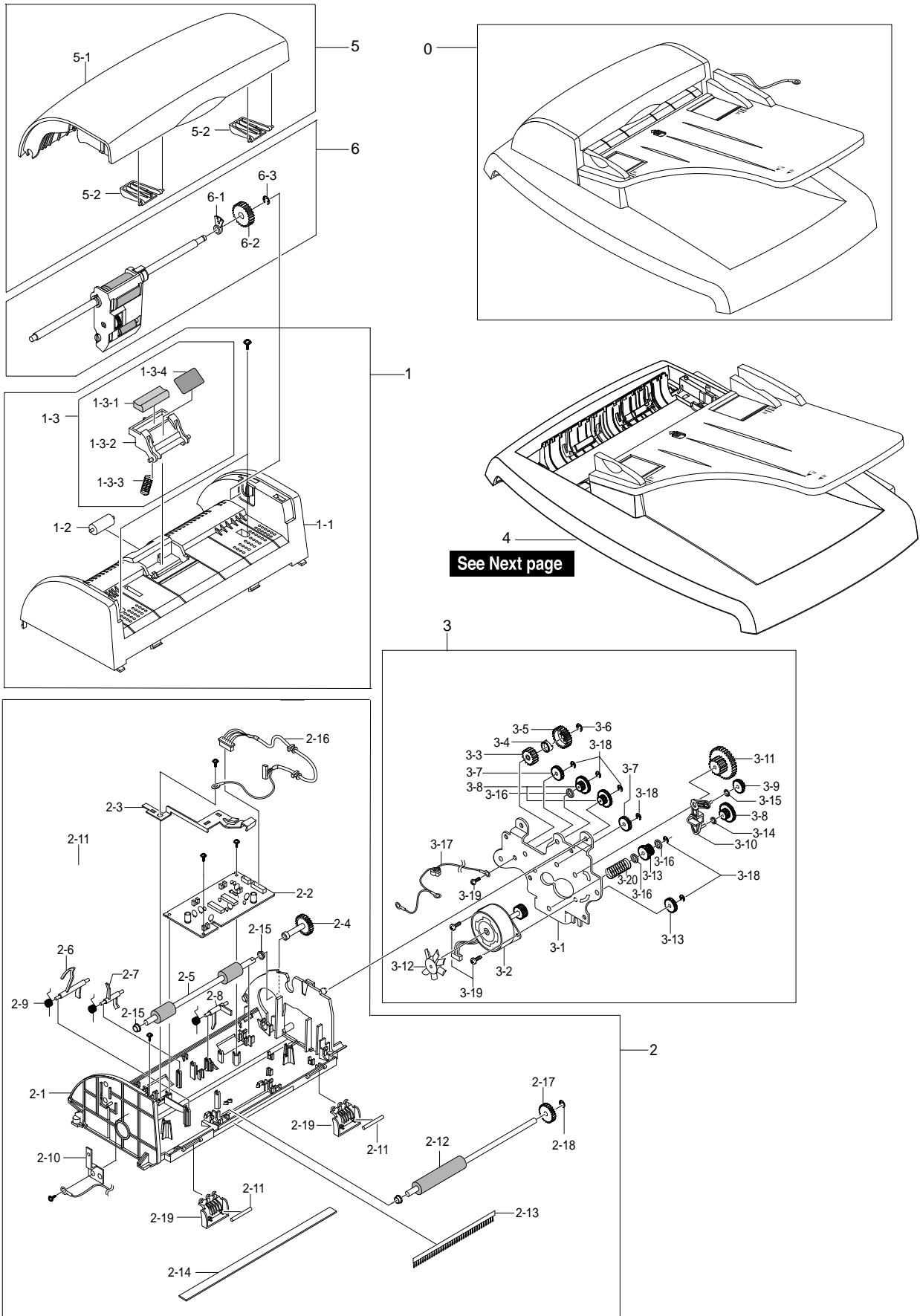
### RX Drive Assembly Parts List

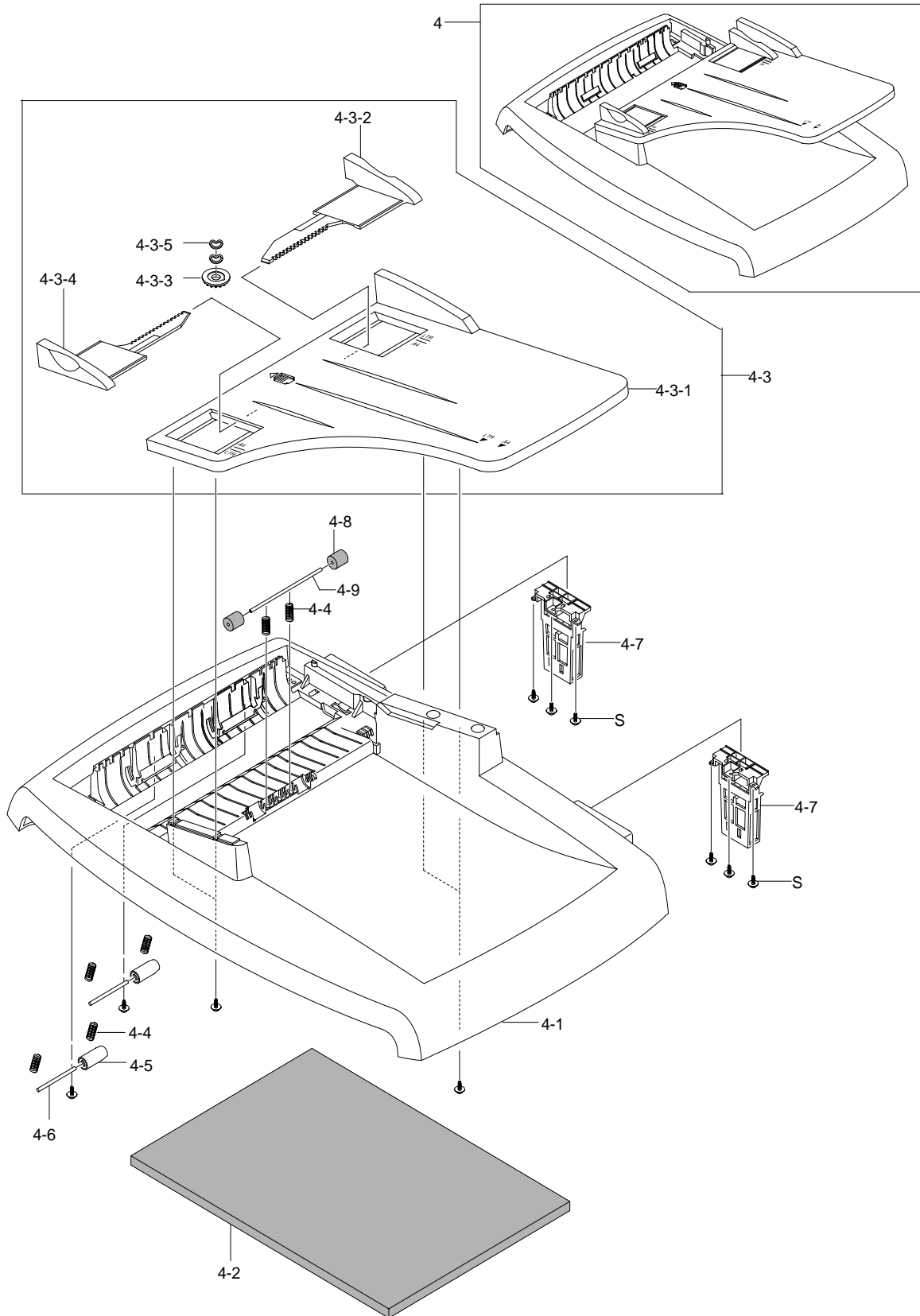
SA : Service Available

O : Service available X : Service not available

No.	Description	SEC.Code	Q'ty	SA	Remark
0	ELA UNIT-RX DRIVE	JC96-02733A	1	O	
1	BRACKET-P-GEAR 1400	*	1	X	
2	GEAR-RDCN 53/26	JC66-00388A	1	O	
3	GEAR-RDCN 113/33	JC66-00391A	1	O	
4	GEAR-RDCN 57/18	JC66-00389A	2	O	
5	WASHER-PLAIN	*	2	X	
6	BRACKET-P-MOTOR 1400	*	1	X	
7	GEAR-RDCN 103/41	JC66-00390A	1	O	
8	GEAR-RDCN 90/31	JC66-00392A	1	O	
9	MOTOR STEP-HUMMINGBIRD	JC31-00028A	1	O	
10	PMO-IMPELLER_DRV	*	1	X	

### 8.3 ADF Assembly





## ADF Assembly Parts List

SA : Service Available  
 O : Service available X : Service not available

No.	Description	SEC.Code	Q'ty	SA	Remark
0	ELA HOU-ADF	JC96-02654A	1	O	
1	MEA UNIT-ADF UPPER	JC97-01710A	1	O	
1-1	COVER-M-ADF UPPER	JC63-00145A	1	O	
1-2	ROLLER-M-ADF IDLE	JC66-00461A	1	O	
1-3	MEA UNIT-HOLDER ADF	JC97-01709A	1	O	
1-3-1	RMO-ADF RUBBER	*	1	X	
1-3-2	HOLDER-M-ADF	*	1	X	
1-3-3	SPRING ETC-PAD	*	1	X	
1-3-4	SHEET-ADF HOLDER	*	1	X	
2	ELA HOU-ADF LOWER	JC81-01702A	1	O	
2-1	COVER-M-ADF LOWER	JC63-00148A	1	O	
2-2	PBA SUB-ADF	JC81-01717A	1	O	
2-3	GROUND-P-ADF	JC63-00149A	1	O	
2-4	SHAFT-M-FEED GEAR 38	JC66-00460A	1	O	
2-5	ROLLER-DRIVE	JC66-00560A	1	O	
2-6	PMO-ACTUATOR DOC SENSOR	JC72-01009A	1	O	
2-7	PMO-ACTUATOR REGI SENSOR	JC72-01010A	1	O	
2-8	PMO-ACTUATOR SCAN SENSOR	JC72-01011A	1	O	
2-9	SPRING ETC-TORSION DOC (CC2-F)	JB61-00076A	3	O	
2-10	IPR-GROUND_ROLLER	JC70-10467A	1	O	
2-11	SHAFT-IDLE FEED	JC66-00558A	2	O	
2-12	ROLLER-EXIT	JC66-00559A	1	O	
2-13	MEC-BRUSH ANTISTATIC	JC75-00161A	1	O	
2-14	SHEET-WHITE BAR	JC63-00154A	1	O	
2-15	PMO-BUSH	JB72-00819A	4	O	
2-16	CBF HARNESS-ADR	JC39-00278A	1	O	
2-17	GEAR-AGITATOR-2	JC66-00310A	1	O	
2-18	RING-C	*	1	X	
2-19	GUIDE-STACKER SUB	JC61-00712A	2	O	
2-S	SCREW-TAPTITE	6003-000196	9	O	
3	ELA HOU-ADF MOTOR	JC81-01701A	1	O	
3-1	BRACKET-GEAR	JC61-00776A	1	O	
3-2	MOTOR BLOWER-ADF	JC31-00023A	1	O	
3-3	GEAR-CLUTCH 29	JB66-00101A	1	O	
3-4	PMO-WHITE CLUTCH SUB 29	JB72-00844A	1	O	
3-5	GEAR-CLUTCH 39	JC66-00322A	1	O	
3-6	RING-C	6044-000159	1	O	
3-7	GEAR-IDLE 35 ADF	JC66-00458A	3	O	
3-8	GEAR-40/21 ADF	JC66-00456A	3	O	



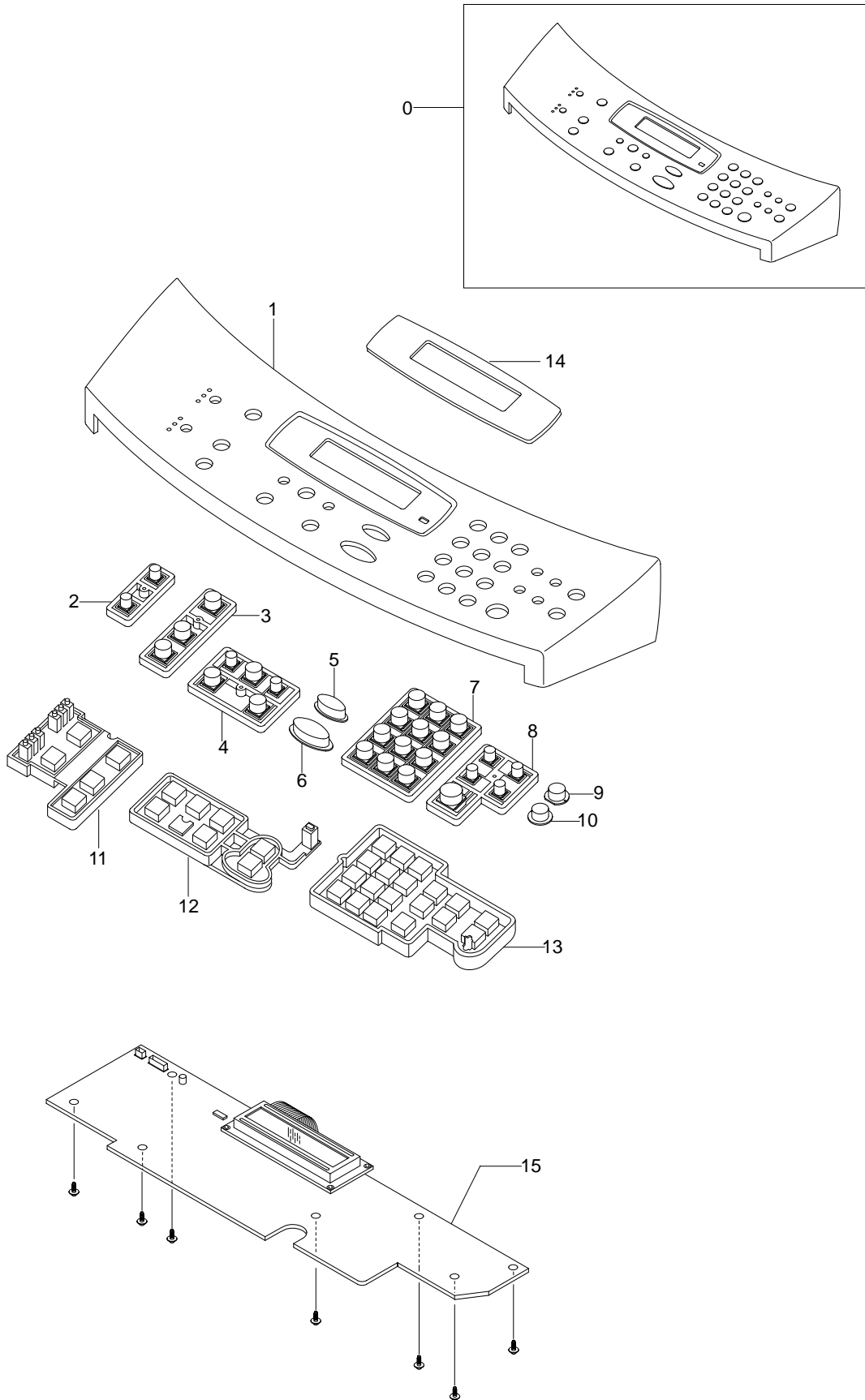
## ADF Assembly Parts List(cont.)

SA : Service Available

○ : Service available X : Service not available

No.	Description	SEC.Code	Q'ty	SA	Remark
3-9	GEAR-SWING 31/20 ADF	JC66-00457A	1	○	
3-10	LINK-M-SWING ADF	JC66-00454A	1	○	
3-11	GEAR-58/25 ADF	JC66-00455A	1	○	
3-12	IMPELLER-ADF	JC66-00556A	1	○	
3-13	GEAR-REMOVE ADF	JC66-00557A	1	○	
3-14	WASHER-PLAIN	6031-000023	2	○	
3-15	IPR-WASHER WAVE	JB70-00070A	1	○	
3-16	WASHER-PLAIN	6031-000019	3	○	
3-17	CBF HARNESS-MOTOR GND	JB39-00105A	1	○	
3-18	RING-E	6044-000125	6	○	
3-19	SCREW-TAPTITE	6003-000269	3	○	
3-20	SPRING ETC PAD	JC61-00387A	1	○	
4	MEA UNIT-COVER PLATEN	JC97-01708A	1	○	
4-1	COVER-M-PLATEN(4IN1)	JC63-00146A	1	○	
4-2	SHEET-WHITE SPONGE	*	1	X	
4-3	MEA-TX STACKER(SEC)	*	1	X	
4-3-1	PMO-TX STACKER(SEC)	JB72-01166B	1	○	
4-3-2	PMO-DOC GUIDE(L)	JB72-01171B	1	○	
4-3-3	GEAR-PINION	JG66-40003A	1	○	
4-3-4	PMO-DOC GUIDE(R)	JB72-01170B	1	○	
4-3-5	IPR-WASHER SPRING CU	JF70-10616A	2	○	
4-4	SPRING ETC-FEED	*	6	X	
4-5	PMO-ROLL PINCH	JG72-40663A	2	○	
4-6	SHAFT-STACKER	JC66-00594A	2	○	
4-7	MEA UNIT-HINGE	JC97-01707A	2	○	
4-8	RPR-ROLLER EXIT IDLE	JC73-00091A	2	○	
4-9	ICT-SHAFT PINCH	JF70-40521B	1	○	
4-S	SCREW-TAPTITE	6003-000196	14	○	
5	MEA UNIT-COVER OPEN(LEX)	JC97-01706A	1	○	
5-1	COVER-M-OPEN(LEX)	JC63-00147A	1	○	
5-2	PMO-GUIDE PAPER	JB72-00843A	2	○	
6	MEA UNIT-PICKUP	JC97-01705A	1	○	
6-1	PMO-BUSHING WHITE	JF72-41306A	1	○	
6-2	GEAR-ADF 38	JB66-00103A	1	○	
6-3	RING-C	6044-000159	1	○	

## 8.4 OPE Unit Assembly(SCX-4216F)



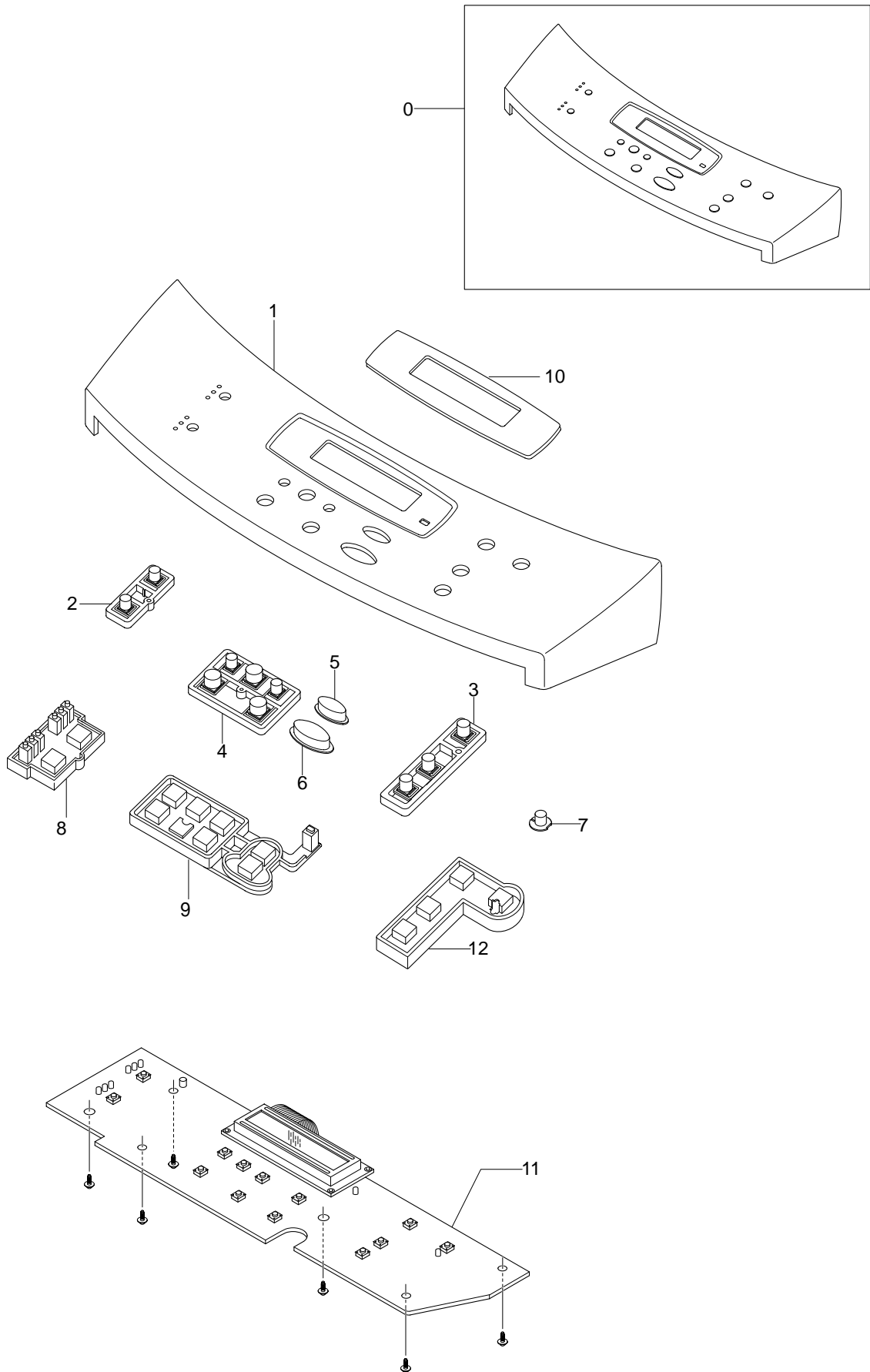
## OPE Unit Assembly Parts List(SCX-4216F)

SA : Service Available

O : Service available X : Service not available

No.	Description	SEC.Code	Q'ty	SA	Remark
0	ELA HOU-OPE	JC81-01695A	1	O	
1	COVER-M-OPE(4IN1)	JC63-00153A	1	O	
2	KEY-M-RESOLUTION	JC64-00059A	1	O	
3	KEY-M-COPY	JC64-00054A	1	O	
4	KEY-M-SCROLL	JC64-00056A	1	O	
5	KEY-M-STOP	JC64-00055A	1	O	
6	KEY-M-START	JC64-00057A	1	O	
7	KEY-M-TEL	JC64-00053A	1	O	
8	KEY-M-FAX	JC64-00060A	1	O	
9	KEY-M-TONER SAVE	JC64-00058A	1	O	
10	KEY-M-TOLL SAVE	JC64-00061A	1	O	
11	RUBBER-COPY	JC73-00139A	1	O	
12	RUBBER-SCROLL	JC73-00137A	1	O	
13	RUBBER-TEL/FAX	JC73-00138A	1	O	
14	SHEET-LCD	JC63-00155A	1	O	
15	PBA SUB-OPE	JC81-01720A	1	O	
S	SCREW-TAPTITE	6003-000196	7	O	

### 8.5 OPE Unit Assembly(SCX-4116/4016)



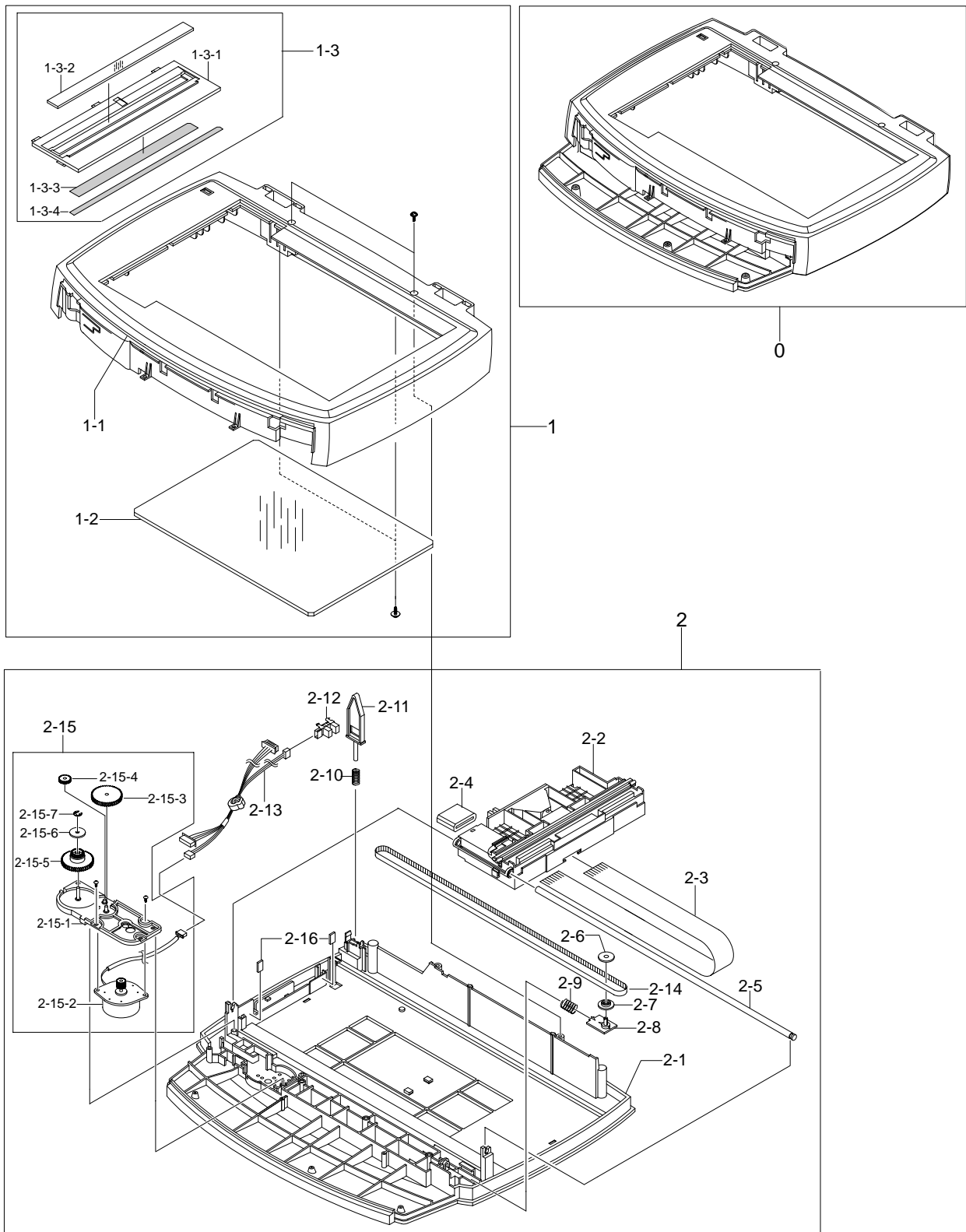
## OPE Unit Assembly Parts List(SCX-4116/4016)

SA : Service Available

O : Service available X : Service not available

No.	Description	SEC.Code	Q'ty	SA	Remark
0	ELA HOU-OPE(3IN1)	JC81-01697A	1	O	SCX-4116
	ELA HOU-OPE(3IN1)	JC81-01698A	1	O	SCX-4016
1	COVER-M-OPE(3IN1)	JC63-00135A	1	O	
2	KEY-M-RESOLUTION(3IN1)	JC64-00051A	1	O	
3	KEY-M-COPY(3IN1)	JC64-00050A	1	O	
4	KEY-M-SCROLL	JC64-00056A	1	O	
5	KEY-M-STOP	JC64-00055A	1	O	
6	KEY-M-START(3IN1)	JC64-00057B	1	O	
7	KEY-M-TONER SAVE(3IN1)	JC64-00052A	1	O	
8	RUBBER-COPY(3IN1)	JC73-00136A	1	O	
9	RUBBER-SCROLL	JC73-00137A	1	O	
10	SHEET-LCD(4116)	JC63-00155D	1	O	SCX-4116
	SHEET-LCD(3IN1)	JC63-00155B	1	O	SCX-4016
11	PBA SUB-OPE	JC81-01716A	1	O	
12	RUBBER-IMAGE(3IN1)	JC73-00135A	1	O	
S	SCREW-TAPTITE	6003-000196	6	O	

## 8.6 Scanner Assembly



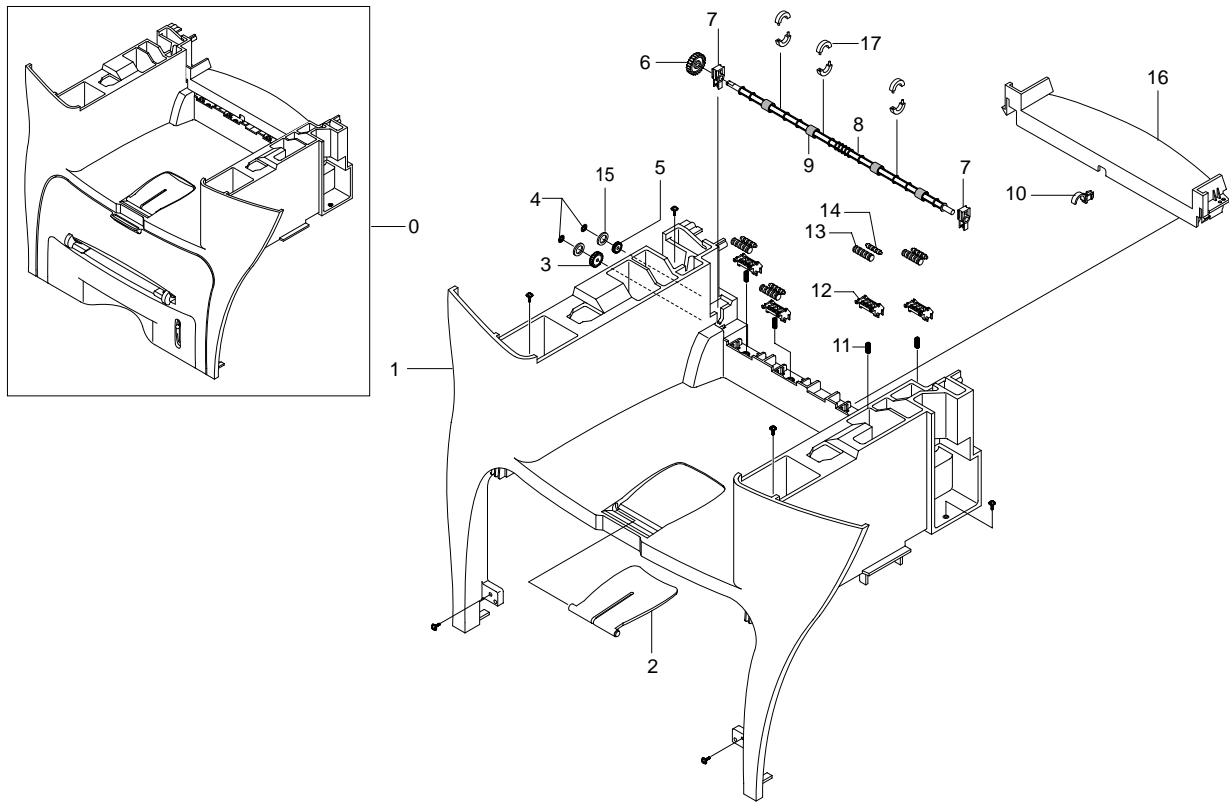
## Scanner Assembly Parts List

SA : Service Available

O : Service available X : Service not available

No.	Description	SEC.Code	Q'ty	SA	Remark
0	ELA HOU-PLATEN	JC81-01703A	1	O	
1	MEA UNIT-SCAN UPPER	JC97-01712A	1	O	
1-1	COVER-M-SCAN UPPER	JC63-00151A	1	O	
1-2	GLASS-SCAN	JC01-00001A	1	O	
1-3	MEA UNIT-SCAN DUMMY	JC97-01711A	1	O	
1-3-1	COVER-M-SCAN DUMMY(4IN1)	*	1	X	
1-3-2	MCT-GLASS ADF	*	1	X	
1-3-3	TAPE-DOUBLE FACE	*	1	X	
1-3-4	LABEL(P)-SHADING	*	1	X	
2	ELA HOU-SCAN LOWER	JC81-01704A	1	O	
2-1	COVER-M-SCAN LOWER	JC63-00150A	1	O	
2-2	ELA HOU-CCD MODULE	JC96-02821A	1	O	
2-3	CBF SIGNAL-CCD FFC	JC39-00269A	1	O	
2-4	ELA UNIT-CORE	3301-001413	2	O	
2-5	ICT-SHAFT CCD	JB70-00145A	1	O	
2-6	PMO-HOLDER BELT	JB72-00764A	1	O	
2-7	PMO-PULLEY	JB72-00763A	1	O	
2-8	PMO-HOLDER BELT	JB72-01136A	1	O	
2-9	SPRING ETC-BELT	JB61-00109A	1	O	
2-10	SPRING-CS	6107-001135	1	O	
2-11	PMO-LEVER SENSOR	JC72-00755A	1	O	
2-12	PHOTO-INTERRUPTER	0604-001095	1	O	
2-13	CBF HARNESS-OPE/FLAT_COVER	JC39-00267A	1	O	
2-14	BELT-TIMING GEAR	6602-001067	1	O	
2-15	ELA HOU-SCAN MOTOR	JC81-01705A	1	O	
2-15-1	BRACKET-M-SCAN MOTOR	*	1	X	
2-15-2	MOTOR STEP-SCAN	JB31-00011A	1	O	
2-15-3	GEAR-REDUCTION	*	1	X	
2-15-4	GEAR-IDLE	*	1	X	
2-15-5	GEAR-TIMING	*	1	X	
2-15-6	PMO-HOLDER BELT	*	1	X	
2-15-7	RING-E	*	1	X	
2-16	DUMPER-CCD	JC66-00665A	2	O	

## 8.7 Middle Cover Assembly



### Middle Cover Assembly Parts List

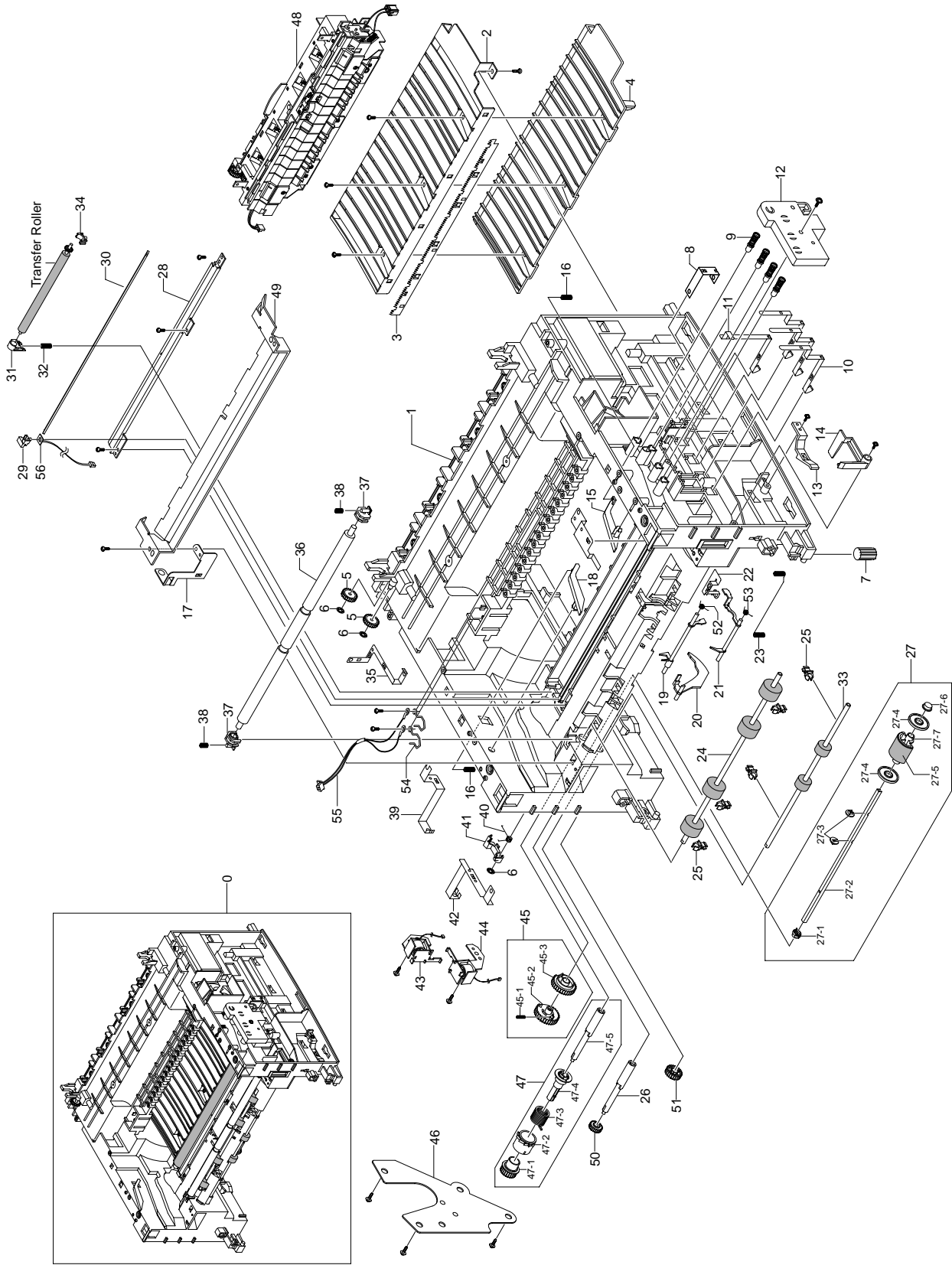
SA : Service Available

O : Service available X : Service not available

No.	Description	SEC.Code	Q'ty	SA	Remark
0	MEA UNIT-COVER MIDDLE	JC97-01723A	1	O	
1	COVER-M-MIDDLE	*	1	X	
2	PMO-STACKER_RX(SEC)	*	1	X	
3	RING-CS	*	2	X	
4	GEAR-IDLE 23	*	1	X	
5	PMO-GEAR_EXIT_DRV16	*	1	X	
6	GEAR-EXIT F/DOWN	*	1	X	
7	MEC-BEARING,EXIT	JC75-10529A	2	O	
8	ROLLER-EXIT F/DOWN	*	1	X	
9	RMO-RUBBER EXIT	*	4	X	
10	PMO-BUSHING_F/DOWN	*	1	X	
11	SPRING-CS	*	4	X	
12	HOLDER-M-EXIT F/DOWN	*	4	X	
13	PMO-ROLLER_EXIT,MAIN	*	4	X	
14	PMO-ROLLER_EXIT,FR	*	4	X	
15	WASHER-PLAIN	*	2	X	
16	COVER-M-REAR UPPER	*	1	X	
17	ROLLER-M_DECURL	*	6	X	



# 8.8 Frame Assembly



## Frame Assembly Parts List

SA : Service Available

O : Service available X : Service not available

No.	Description	SEC.Code	Q'ty	SA	Remark
0	ELA HOU-UNIT FRAME_110V	JC96-02731A	1	O	110V
1	FRAME-M-BASE	JC61-00579A	1	O	
2	GUIDE-P-TR	JC61-00607A	1	O	
3	PLATE-P-SAW	JC61-00604A	1	O	
4	GUIDE-M-TR RIB	JC61-00594A	1	O	
5	PMO-GEAR_EXIT_DRV16	*	2	X	
6	RING-CS	*	3	X	
7	RMO-RUBBER_FOOT	*	2	X	
8	IPR-P-GROUND_TR	*	1	X	
9	MEC-TERMINAL	JC75-00049A	4	O	
10	IPR-P-TERMINAL CON	JC70-00312A	3	O	
11	IPR-P-TERMINAL CR	JC70-00313A	1	O	
12	HOUSING-TERMINAL	JC61-00592A	1	O	
13	PMO-LOCKER CST	JC72-00983A	2	O	
14	PMO-ACTUATOR CVR OPEN	JC72-00974A	1	O	
15	PMO-PLATE GUIDE DEVE_R	JC72-00985A	1	O	
16	SPRING ETC-GUIDE DEVE	*	2	X	
17	IPR-P-GROUND_GUIDE PAPER	JC70-00458A	1	O	
18	PMO-PLATE GUIDE DEVE_L	JC72-00984A	1	O	
19	PMO-ACTUATOR FEED	JC72-00976A	1	O	
20	PMO-ACTUATOR EMPTY	JC72-00975A	1	O	
21	PMO-ACTUATOR MANUAL	JC72-00977A	1	O	
22	IPR-P-GROUND_EARTH TR	*	1	X	
23	SPRING-ETC	6107-001162	1	O	
24	ROLLER-FEED ROLLER 1	*	1	X	
25	PMO-BUSHING FEED	*	5	X	
26	SHAFT-FEED	*	1	X	
27	AS-PICK UP	JC81-01693A	1	O	
27-1	BUSH-M-PICK_UP L	*	1	X	
27-2	SHAFT-P-PICK_UP	*	1	X	
27-3	STOPPER-PICK_UP	*	2	X	
27-4	PMO-IDLE PICK_UP	JC72-00982A	2	O	
27-5	SPONGE-ROLLER PICK_UP	JC72-01231A	1	O	
27-6	BUSH-M-PICK_UP R	JC61-00587A	1	O	
27-7	HOUSING-M-PICK_UP	JC61-00591A	1	O	
28	IPR-P-EARTH TRANSFER	JC70-00307A	1	O	
29	HOLDER-PTL	JC61-00583A	1	O	
30	LENS-PTL	JC67-00027A	1	O	
31	BUSH-M-TR L	JC61-00588A	1	O	

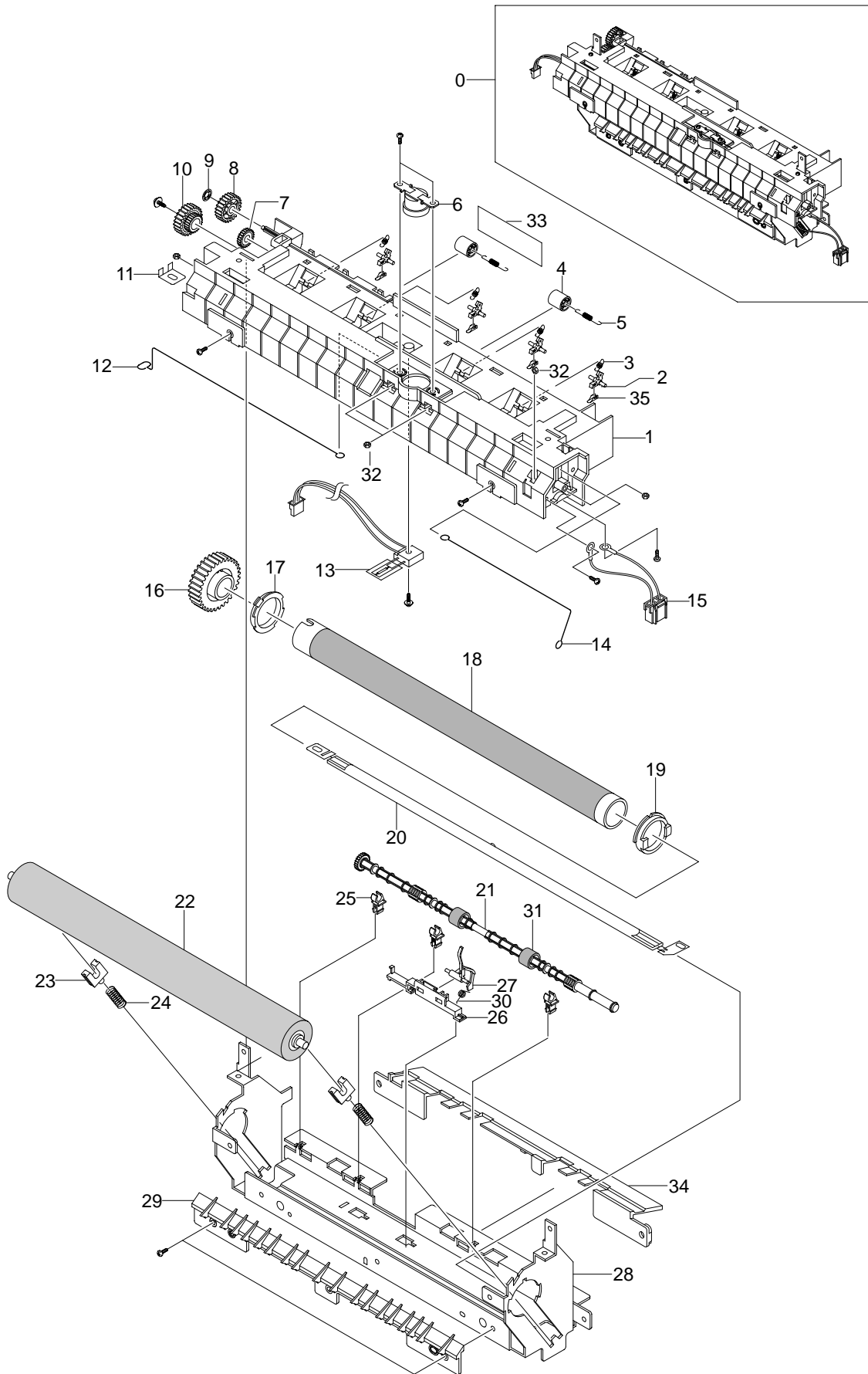
## Frame Assembly Parts List(Cont.)

SA : Service Available

O : Service available X : Service not available

No.	Description	SEC.Code	Q'ty	SA	Remark
32	SPRING ETC-TR L HAWK	*	1	X	
33	ROLLER-FEED	JC66-00598A	1	O	
34	PMO-BUSHING_TR(L)	JC72-00102A	1	O	
35	IPR-P-GROUND_FUSER	JC70-00310A	1	O	
36	SHAFT-FEED IDLE	JC66-00527A	1	O	
37	BUSH-M-FEED IDLE	*	2	X	
38	SPRING ETC-TR	*	2	X	
39	IPR-P_GROUND_DRIVE2	JC70-00335A	1	O	
40	SPRING-TS	6107-001170	1	O	
41	CAM-M-PICK_UP	JC66-00377A	1	O	
42	IPR-P-GROUND_DRIVE	JC70-00308A	1	O	
43	SOLENOID-HB (PICK-UP)	JC33-00009A	1	O	
44	SOLENOID-HB (MANUAL)	JC33-00010A	1	O	
45	AS-GEAR PICK_UP	JC81-01692A	1	O	
45-1	PMO-GEAR PICK_UP B	JC72-00980A	1	O	
45-2	PMO-GEAR PICK_UP A	JC72-00979A	1	O	
45-3	SPRING-CS	*	1	X	
46	BRACKET-P-FEED	JC61-00602A	1	O	
47	MEA UNIT-CLUTCH	JC97-01788A	1	O	
47-1	GEAR-FEED 1	JC66-00393A	1	O	
47-2	PMO-COLLAR_SPRING	JC72-00978A	1	O	
47-3	SPRING-TS	*	1	X	
47-4	PMO-HUB CLUTCH	JC72-00981A	1	O	
47-5	SHAFT-FEED	*	1	X	
48	ELA HOU-FUSER 110V, ROCKY	JC81-01696A	1	O	110V
49	GUIDE-P-PAPER	JC61-00718A	1	O	
50	GEAR-FEED 2	JC66-00394A	1	O	
51	GEAR-IDLE 23	JC66-00396A	1	O	
52	SPRING-TS	*	1	X	
53	SPRING-TS	*	1	X	
54	IPR-P-TERMINAL DEVE KEY	*	2	X	
55	CBF HARNESS-OPC_FUSE	*	1	X	
56	PBA MAIN-PTL	JC92-01440B	1	O	
S	SCREW-TAPTITE	6003-000119	9	O	
S	SCREW-TAPTITE	6003-000196	12	O	
S	SCREW-ASS'Y TAPT	6006-001078	3	O	

# 8.9 Fuser Assembly



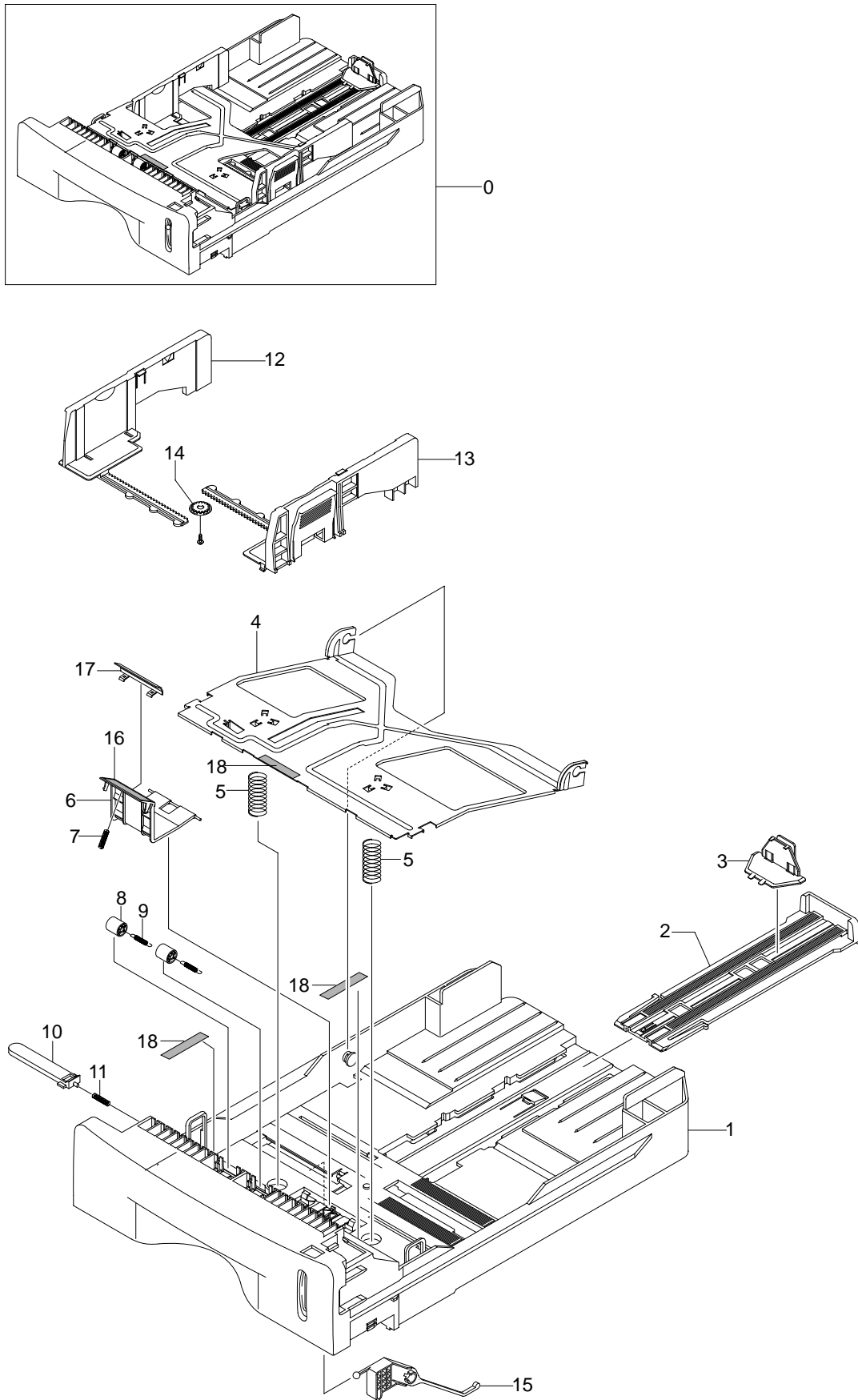
## Fuser Assembly Parts List

SA : Service Available

O : Service available X : Service not available

No.	Description	SEC.Code	Q'ty	SA	Remark
0	AS-FUSER 110V	JC81-01696A	1	O	110V
1	COVER-M-FUSER	*	1	X	
2	HOLDER-M-PLATE CLAW	*	4	X	
3	SPRING ETC-CLAW	*	4	X	
4	PMO-ROLLER EXIT	*	2	X	
5	SPRING ETC-FUSER EXIT	*	2	X	
6	THERMOSTAT-150	JC47-00005A	1	O	
7	PMO-GEAR_EXIT_DRV16	*	1	X	
8	GEAR-IDLE 23	*	1	X	
9	RING-CS	*	1	X	
10	GEAR-RDCN 25/15	JC66-00397A	1	O	
11	IPR-ELECTRODE_LAMP	*	1	X	
12	ELECTRODE-WIRE_L	*	1	X	
13	THERMISTOR-NTC	1404-001298	1	O	
14	ELECTRODE-WIRE_R	*	1	X	
15	CBF HARNESS-FUSER 110V	JC39-00239A	1	O	110V (WHITE)
16	GEAR-FUSER, Z37	JC66-00564A	1	O	
17	BUSH-M-HR L	*	1	X	
18	ROLLER-HEAT	JC66-00601A	1	O	
19	BUSH-M-HR R	JC61-00590A	1	O	
20	LAMP-HALOGEN	4713-001182	1	O	110V
21	ROLLER-M-EXIT F/UP	*	1	X	
22	ROLLER-PRESSURE	JC66-00600A	1	O	
23	BEARING-PRESSURE/R	*	2	X	
24	SPRING-CS	*	2	X	
25	PMO-BUSHING TX	*	3	X	
26	HOLDER-ACTUATOR	*	1	X	
27	PMO-ACTUATOR_EXIT	JC72-00987A	1	O	
28	IPR-P-FRAME_FUSER	*	1	X	
29	GUIDE-M-INPUT	*	1	X	
30	SPRING-TS	*	1	X	
31	RMO-RUBBER_EXIT	*	2	X	
32	NUT-HEXAGON	*	5	X	
33	LABEL(P)-CAUTION, HOT_FUSER	*	1	X	
34	COVER-M-EXIT LOWER	*	1	X	
35	PLATE-P-CLAW	*	4	X	

## 8.9 Cassette Assembly



## Cassette Assembly Parts List

SA : Service Available

O : Service available X : Service not available

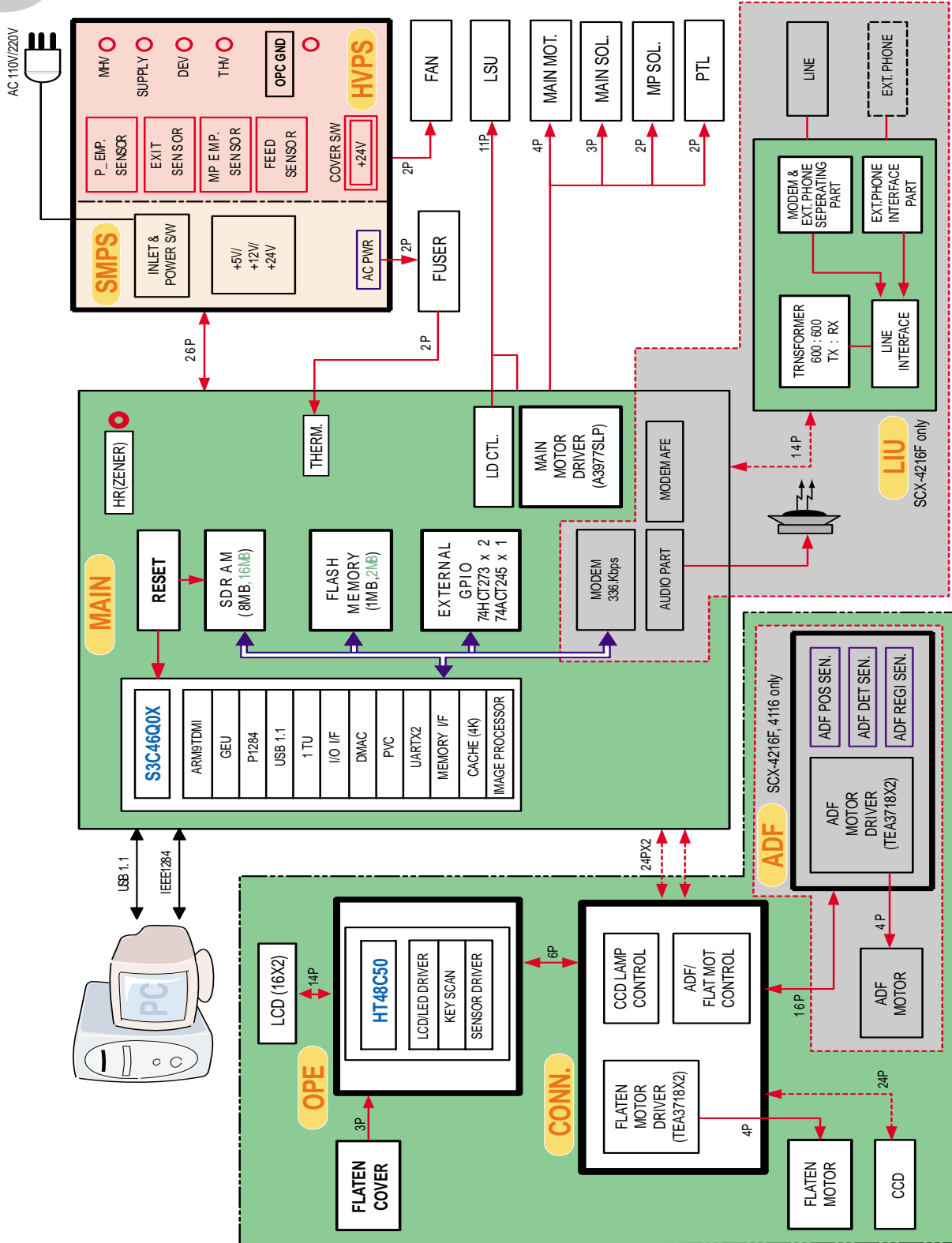
No.	Description	SEC.Code	Q'ty	SA	Remark
0	MEA UNIT-CASSETTE, USA	JC97-01750A	1	O	
1	FRAME-M_CASSETTE	*	1	X	
2	PMO-EXTENSION LARGE	JC72-00970A	1	O	
3	PMO-EXTENSION SMALL	JC72-00971A	1	O	
4	PLATE-P-KNOCK_UP	*	1	X	
5	SPRING-CS	*	2	X	Spring-Knock_up
6	HOLDER-M-PAD	*	1	X	
7	SPRING ETC-EXIT ROLL FD	*	1	X	
8	ROLLER-M-IDLE FEED	*	2	X	
9	SPRING-ES	*	2	X	Spring-Feed
10	PMO-PLATE_LOCKER	*	1	X	
11	SPRING ETC-LOCKER,PLATE	*	1	X	
12	ADJUST-M-CASSETTE_L	JC70-00300A	1	O	
13	ADJUST-M-CASSETTE_R	JC70-00301A	1	O	
14	GEAR-PINION	*	1	X	
15	INDICATOR-M-LEVER INDICATOR	JC64-00040A	1	O	
16	RPR-FRICTION PAD	JC73-00140A	1	O	
17	IPR-PLATE PAD	*	1	X	
18	RPR-PAD CASSETTE	*	3	X	

# *Memo*

---



# 9. Block Diagram



# 10. Connection Diagram

