

2. Exploded Views and Parts List (SCX-4300)

Contents

2.1	Housing Base Exploded View	5
2.2	Housing Base Exploded View	7
2.3	Frame Assembly Exploded View	9
2.4	Fuser Unit Exploded View	13
2.5	Drive Assembly Exploded View	15
2.6	Scan Assembly Exploded View	17
2.7	OPE Assembly Exploded View	19
2.8	Cassette Assembly Exploded View	21

Part Number & Description format.

Part numbers and descriptions are defined according to a company standard. The information below will help you to understand the part number format and assist when ordering spare parts.

- There are two types of Part number format.

●●●●●●●●●●	ex) 2007-007961	R-CHIP
■●●●●●●●●■	ex) JB96-01268A	ELA UNIT-COVER TOP

It shows part specific

(● : number ■ : letter)

Type 1 : This format is used throughout Samsung on all product ranges. Typically it is used for small components and electronic parts.

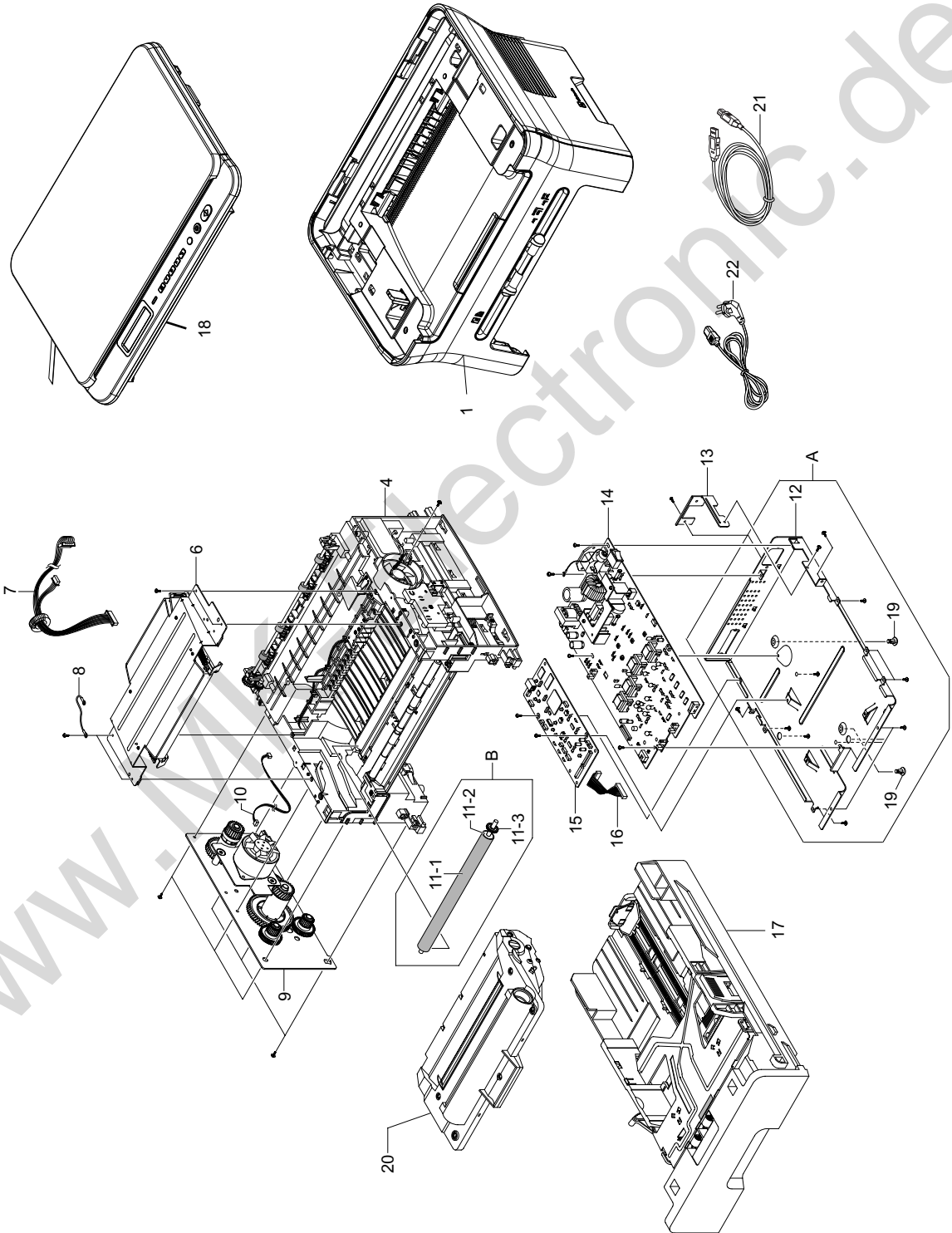
Type 2 : This format is controlled by individual Samsung Divisions and is used on specific products, typically for mechanical parts. Type 2 format part numbers fall into 2 categories:

- **A/S privately used part** : It is only used for A/S .
- **Ass'y part** : Assemblies consisting of 2 or more parts. Also used for Service manuals, user guides and diagrams.

• Ass'y parts and A/S privately used Parts can be distinguished by the part Code and Description. They are always Type 2 format. The 2 leading characters indicate private or assembly parts.

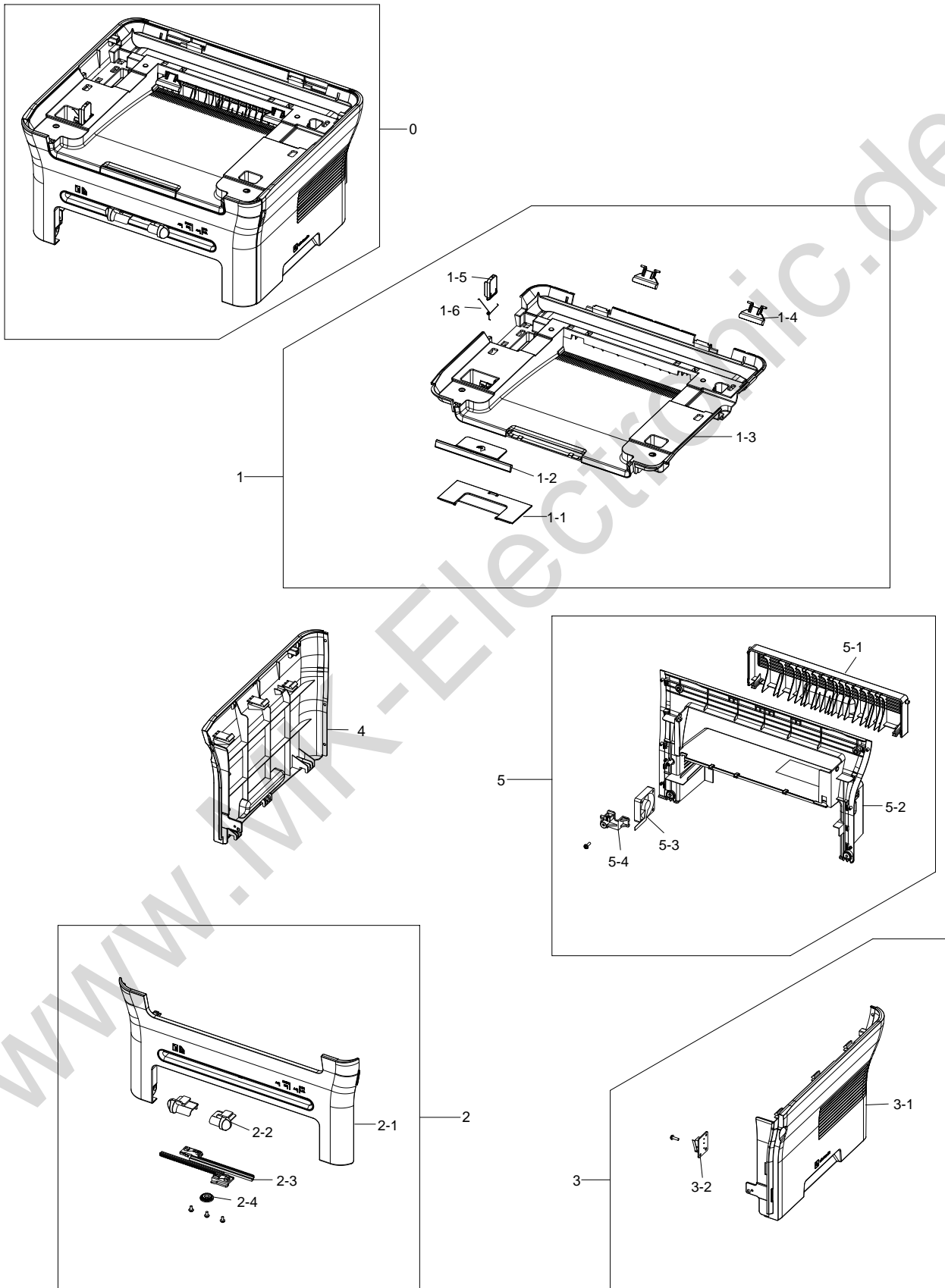
DIVISION	PART CODE	DESCRIPTION
A/S Private	**81-***** (JB81-00039A)	AS-***** (AS-USE)
ASS'Y Part	**75-***** (JB75-00068A)	MEC-***** (MEC-CHUTE)
ASS'Y Part	**92-***** (JB92-01131A)	PBA ***** (PBA MAIN-CONTROLLER)
ASS'Y Part	**97-***** (JB97-01089A)	MEA ***** (MEA UNIT-PULLEY IDLE)

2.1 Main Exploded View



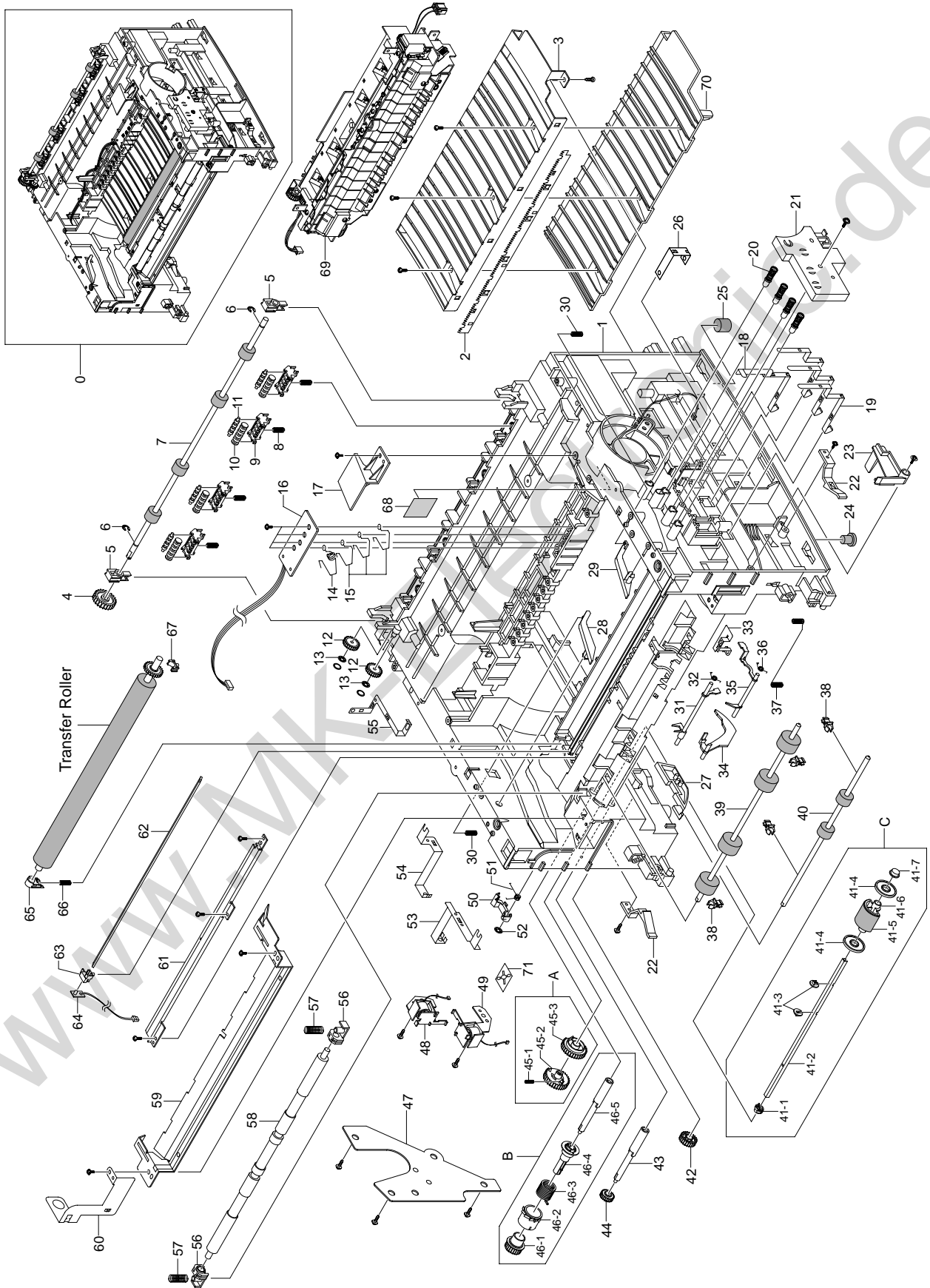
Drawer	SEC_code	Description	Qty	Service	Remark
2.1-0	SCX-4300	SET	1	SNA	
2.1-1	JC96-05058A	ELA HOU BASE-HOUSING	1	SNA	
2.1-4	JC96-05169A	ELA UNIT-FRAME LOWER	1	SA	XAA
2.1-4	JC96-05170A	ELA UNIT-FRAME LOWER	1	SA	SEE
2.1-5	JC31-00004A	FAN-DC_HAWK	1	SA	
2.1-6	JC59-00018C	UNIT-HUMMING_VE LSU	1	SA	
2.1-7	JC39-00242A	CBF HARNESS-LSU	1	SA	
2.1-8	JB39-40532A	CBF HARNESS-OPE	1	SA	
2.1-9	JC96-03823A	ELA UNIT-DRIVE	1	SA	
2.1-10	JC39-00241A	CBF HARNESS-MOTOR	1	SA	
2.1-A	JC97-01792A	MEA UNIT-SHIELD ENGINE	1	SA	
2.1-11-1	JC66-01218A	ROLLER-TRANSFER	1	SA	
2.1-11-2	JC72-00851A	PPR-SPACER_TR	1	SNA	
2.1-11-3	JC66-00395A	GEAR-TRANSFER	1	SA	
2.1-12	JC63-00107A	SHIELD-P-ENGINE	1	SNA	
2.1-13	JC61-00601A	BRACKET-P-INLET	1	SA	
2.1-14	JC44-00072B	SMPS-V1	1	SA	110V
2.1-14	JC44-00073B	SMPS-V2	1	SA	220V
2.1-14	JC44-00074B	SMPS-V2C(XEV,XSS,XFA	1	SA	220V
2.1-15	JC92-01762F	PBA MAIN	1	SA	
2.1-16	JC39-00240A	CBF HARNESS-ENGINE	1	SA	
2.1-17	JC97-02436D	MEA UNIT-CASSETTE	1	SA	
2.1-18	JC96-05119A	ELA UNIT-SCANNER	1	SA	
2.1-19	6103-001056	SUPPORTER	2	SNA	
2.1-20	JC96-05049A	CARTRIDGE-TONER	1	SNA	
2.1-21	JC39-00001B	USB cable	1	SNA	
2.1-22	3903-000042	CBF-POWER CORD	1	SA	SEE
2.1-22	3903-000085	CBF-POWER CORD	1	SA	XAA
2.1-22	3903-000067	CBF-POWER CORD	1	SA	XEU

2.2. Housing Base Exploded View



Drawer	SEC_code	Description	Qty	Service	Remark
2.2-0	JC96-05058A	ELA HOU BASE-HOUSING	1	SNA	
2.2-1	JC97-03245A	MEA UNIT-COVER MIDDLE	1	SA	
2.2-1-1	JC61-02582A	STACKER-SMALL	1	SA	
2.2-1-2	JC61-02583B	STACKER-RX LARGE	1	SA	
2.2-1-3	JC63-01895A	COVER-MIDDLE	1	SA	
2.2-1-4	JC72-01343A	PMO-SUB_M_STACKER	2	SA	
2.2-1-5	JC61-00949A	STOPPER-M-LEVER	1	SA	
2.2-1-6	JC61-00026A	SPRING ETC-TS-CHARGE APOLLO	1	SNA	
2.2-2	JC97-03246A	MEA UNIT-COVER FRONT	1	SA	
2.2-2-1	JC63-01898A	COVER-FRONT	1	SA	
2.2-2-2	JC70-00477F	ADJUST-MANUAL R	1	SA	
	JC70-00476F	ADJUST-MANUAL L	1	SA	
2.2-2-3	JC70-00304A	ADJUST RACK-M-MANUAL	2	SA	
2.2-2-4	JC66-00387A	GEAR-RACK_PINION	1	SNA	
-	6003-000264	SCREW-TAPTITE	3	SNA	
2.2-3	JC96-05145A	ELA UNIT-COVER SIDE R	1	SA	
2.2-3-1	JC63-01894A	COVER-SIDE R	1	SA	
2.2-3-2	JC92-01761A	PBA SUB-SWITCH	1	SA	
-	6003-000196	SCREW-TAPTITE	1	SA	
2.2-4	JC63-01893A	COVER-SIDE L	1	SA	
2.2-5	JC97-03247A	MEA UNIT-COVER REAR	1	SA	
2.2-5-1	JC63-01896A	COVER-REAR	1	SA	
2.2-5-2	JC63-01897A	COVER-REAR DOOR	1	SA	
2.2-5-3	3103-001085	FAN-DC	1	SA	
2.2-5-4	JC61-01643A	HOLDER-M_HARNESS	1	SA	
-	6003-000196	SCREW-TAPTITE	1	SA	

2.3. Frame Assembly Exploded View

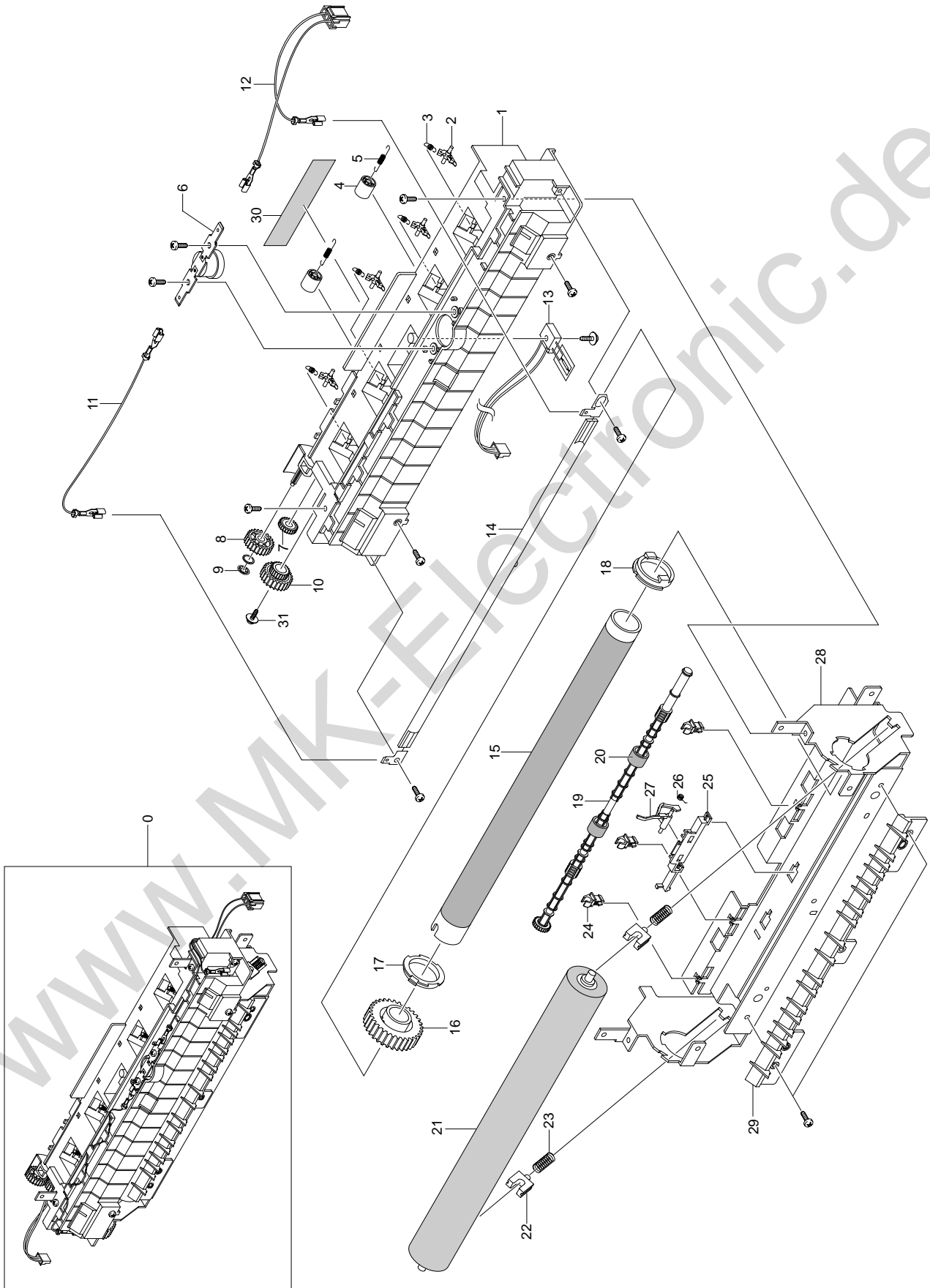


Drawer	SEC_code	Description	Qty	Service	Remark
2.3-0	JC96-05169A	ELA UNIT-FRAME LOWER	1	SA	110V
2.3-0	JC96-05170A	ELA UNIT-FRAME LOWER	1	SA	220V
2.3-1	JC61-01651A	FRAME-M_BASE	1	SA	
2.3-2	JC61-00604A	PLATE-P-SAW	1	SA	
2.3-3	JC61-00594A	GUIDE-M-TR RIB	1	SA	
2.3-4	JC66-00038A	GEAR-EXIT F/DOWN	1	SA	
2.3-5	JC61-00829A	HOLDER-BEARING EXIT F/DOWN	2	SA	
2.3-6	6044-000159	RING-C	2	SA	
2.3-7	JC66-01209A	ROLLER-EXIT F/DOWN	1	SA	
2.3-8	6107-001163	SPRING-CS	4	SA	
2.3-9	JC61-00582B	HOLDER-M_EXIT F/DOWN	4	SNA	
2.3-10	JC72-41081B	PMO-M-ROLLER EXIT_MAIN 5	4	SA	
2.3-11	JC72-41082B	PMO-M-ROLLER EXIT_FR 500	4	SA	
2.3-12	JC72-00143A	PMO-GEAR_EXIT_DRV16	2	SNA	
2.3-13	6031-001051	WASHER-PLAIN	2	SNA	
2.3-14	6107-001164	SPRING-TS	1	SA	
2.3-15	6107-001165	SPRING-TS	1	SNA	
2.3-16	JC92-01786A	PBA SUB-CRUM	1	SA	
2.3-17	JC63-00458A	GROUND-P-TERMINAL DEVE	1	SA	
2.3-18	JC61-01652A	PLATE-P-TERMINAL CR	1	SA	
2.3-19	JC70-00340A	IPR-P-TERMINAL DEVE KEY	3	SNA	
2.3-20	JC75-00049A	MEC-TERMINAL	4	SA	
2.3-21	JC61-00911A	HOUSING-M-TERMINAL R2	1	SA	
2.3-22	JC72-00983A	PMO-LOCKER CST	2	SA	
2.3-23	JC72-00974A	PMO-ACTUATOR CVR OPEN	1	SA	
2.3-24	JC61-00836A	FOOT-FRONT	2	SA	
2.3-25	JC61-00835A	FOOT-BACK	2	SA	
2.3-26	JC70-00311A	IPR-P-GROUND_TR	1	SNA	
2.3-27	JC70-00312A	IPR-P-TERMINAL CON	1	SA	
2.3-28	JC72-00984A	PMO-PLATE GUIDE DEVE_L	1	SA	
2.3-29	JC72-00985A	PMO-PLATE GUIDE DEVE_R	1	SA	
2.3-30	JC61-70932A	SPRING ETC-GUIDE DEVE	2	SA	

Drawer	SEC_code	Description	Qty	Service	Remark
2.3-31	JC72-00976A	PMO-ACTUATOR FEED	1	SA	
2.3-33	JC70-00309A	IPR-P-GROUND_EARTH TR	1	SNA	
2.3-34	JC72-00975A	PMO-ACTUATOR EMPTY	1	SA	
2.3-35	JC72-00977A	PMO-ACTUATOR MANUAL	1	SA	
2.3-37	6107-001162	SPRING-ETC	1	SA	
2.3-38	JC72-00382B	PMO-BUSHING FEED	2	SA	
2.3-39	JC66-00526A	ROLLER-FEED ROLLER 1	1	SA	
2.3-40	JC66-00598A	ROLLER-FEED	1	SA	
2.3-41-1	JC61-00586A	BUSH-M-PICK_UP L	1	SA	
2.3-41-2	JC66-00399A	SHAFT-P-PICK_UP	1	SA	
2.3-41-3	JC61-00593A	STOPPER-PICK_UP	2	SNA	
2.3-41-4	JC72-00982A	PMO-IDLE PICK_UP	2	SA	
2.3-41-5	JC72-01231A	SPONGE-ROLLER PICK_UP	1	SA	
2.3-41-6	JC61-00587A	BUSH-M-PICK_UP R	1	SA	
2.3-41-7	JC61-00591A	HOUSING-M-PICK_UP	1	SA	
2.3-41-8	JC66-00720A	SHAFT-P-CORE	1	SA	
2.3-42	JC66-00396A	GEAR-IDLE 23	1	SA	
2.3-43	JC66-00398A	SHAFT-FEED	1	SA	
2.3-44	JC66-00394A	GEAR-FEED 2	1	SA	
2.3-A	JC81-01692A	AS-GEAR PICK_UP	1	SA	
2.3-45-1	JC72-00980A	PMO-GEAR PICK_UP B	1	SA	
2.3-45-2	JC72-00979A	PMO-GEAR PICK_UP A	1	SA	
2.3-45-3	6107-001167	SPRING-CS	1	SA	
2.3-B	JC97-01788A	MEA UNIT-CLUTCH	1	SA	
2.3-46-1	JC66-00393A	GEAR-FEED 1	1	SA	
2.3-46-2	JC72-00978A	PMO-COLLAR_SPRING	1	SA	
2.3-46-3	6107-001171	SPRING-TS	1	SA	
2.3-46-4	JC72-00981A	PMO-HUB CLUTCH	1	SNA	
2.3-46-5	JC66-00398A	SHAFT-FEED	1	SA	
2.3-47	JC61-00602A	BRACKET-P-FEED	1	SA	
2.3-48	JC33-00009A	SOLENOID-HB (PICK-UP)	1	SA	
2.3-49	JC33-00010A	SOLENOID-HB (MANUAL)	1	SA	
2.3-50	JC66-00377A	CAM-M-PICK_UP	1	SA	

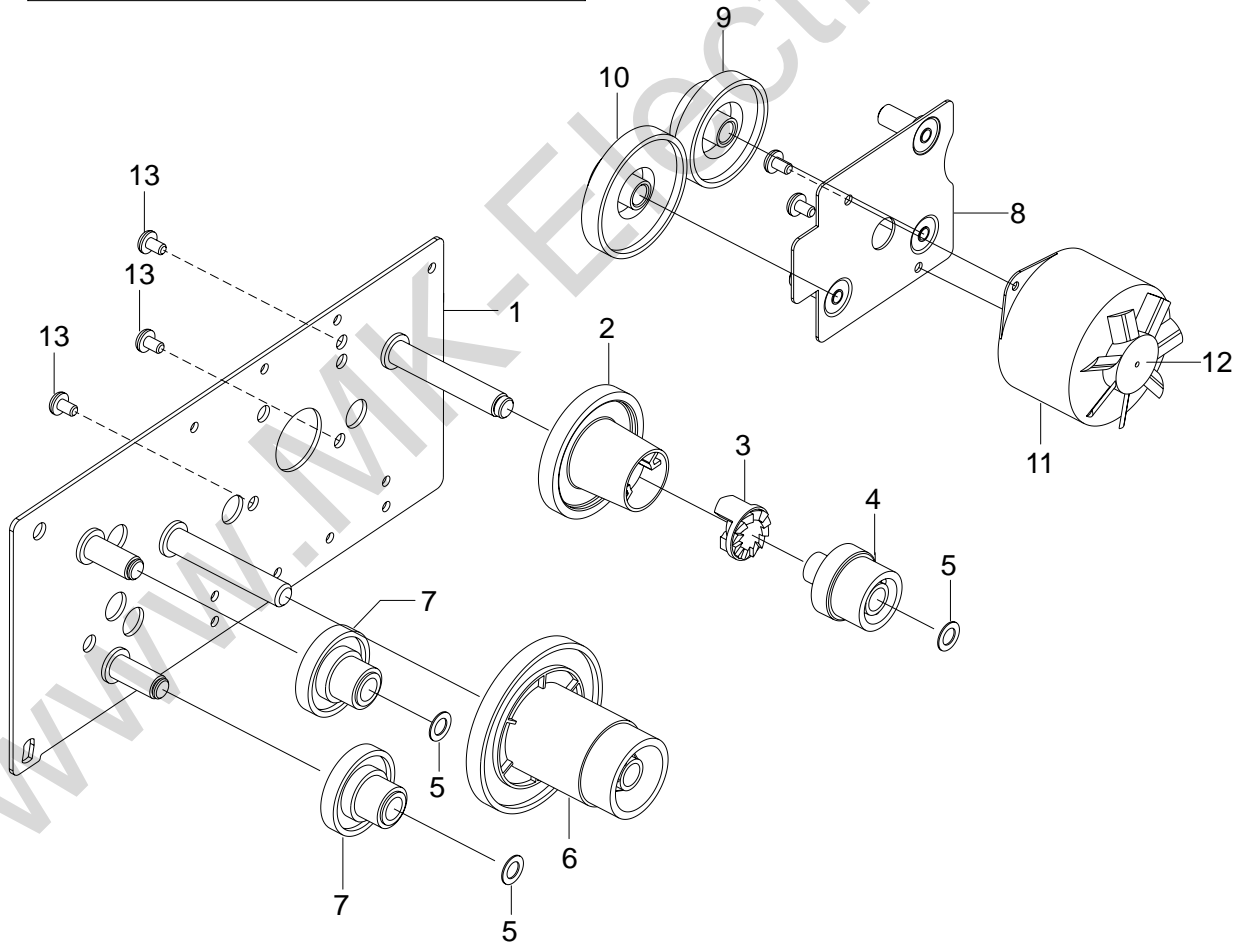
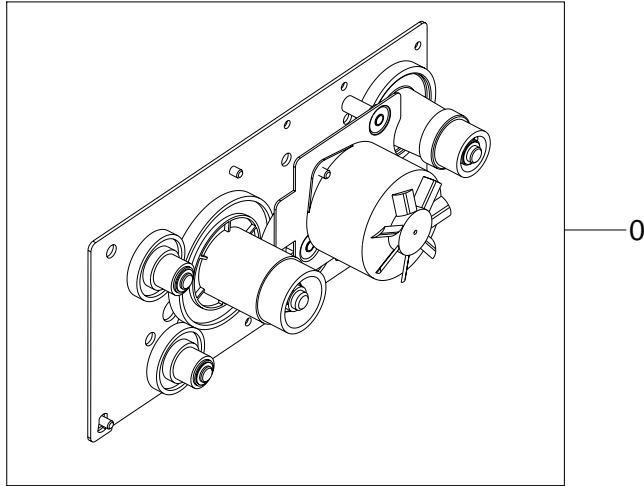
Drawer	SEC_code	Description	Qty	Service	Remark
2.3-51	6107-001170	SPRING-TS	1	SA	
2.3-52	6044-000001	RING-CS	1	SNA	
2.3-53	JC70-00308A	IPR-P-GROUND_DRIVE	1	SNA	
2.3-54	JC70-00335A	IPR-P_GROUND_DRIVE2	1	SA	
2.3-55	JC70-00310A	IPR-P-GROUND_FUSER	1	SNA	
2.3-56	JC61-00585A	BUSH-M-FEED IDLE	2	SA	
2.3-57	JC61-70958A	SPRING ETC-TR	2	SA	
2.3-58	JC66-00527A	SHAFT-FEED IDLE	1	SA	
2.3-59	JC61-00718A	GUIDE-P-PAPER	1	SA	
2.3-60	JC70-00458A	IPR-P-GROUND_GUIDE PAPER	1	SNA	
2.3-61	JC70-00307A	IPR-P-EARTH TRANSFER	1	SA	
2.3-62	JC67-00027A	LENS-PTL	1	SA	
2.3-63	JC61-00583A	HOLDER-PTL	1	SA	
2.3-64	JC92-01620B	PBA SUB-PTL	1	SA	
2.3-65	JC61-00588A	BUSH-M-TR L	1	SA	
2.3-66	JC61-00047A	SPRING ETC-TR L HAWK	1	SA	
2.3-67	JC72-00102A	PMO-BUSHING_TR(L)	1	SA	
2.3-68	JC68-00407A	LABEL(R)-HV FUSER	1	SNA	
2.3-69	JC96-05101A	ELA HOU-FUSER	1	SA	110V
2.3-69	JC96-05101B	ELA HOU-FUSER	1	SA	220V
2.3-70	JC61-00607A	GUIDE-P-TR	1	SA	
2.3-71	JC61-00937A	GUIDE-M-KNOCK UP	1	SA	

2.4. Fuser Unit Exploded View



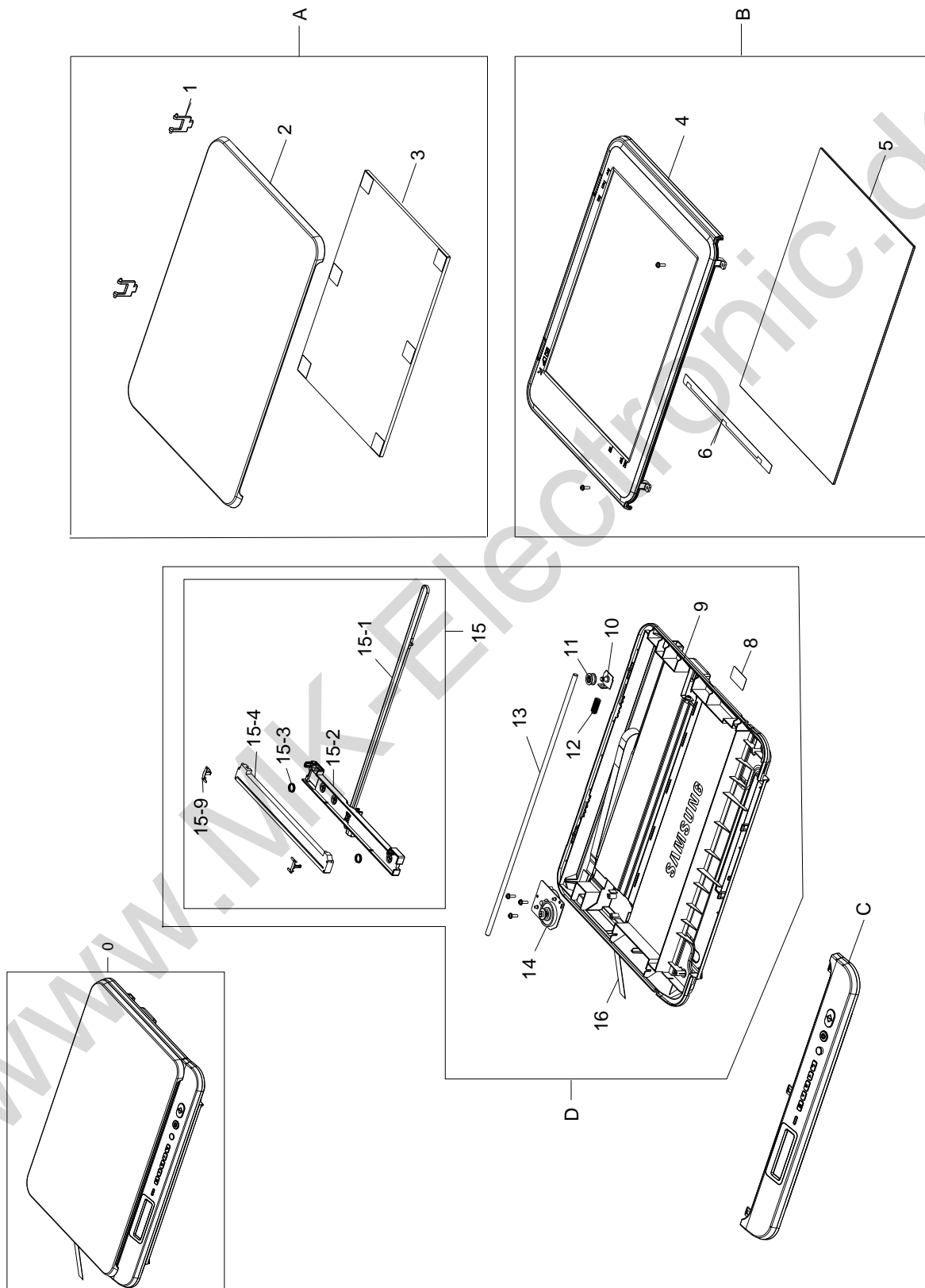
Drawer	SEC_code	Description	Qty	Service	Remark
2.4-0	JC96-05101A	ELA HOU-FUSER	1	SA	110V
2.4-0	JC96-05101B	ELA HOU-FUSER	1	SA	220V
2.4-1	JC63-01019A	COVER-M-FUSER	1	SA	
2.4-3	JC61-00064A	SPRING ETC-CLAW	4	SA	
2.4-4	JC72-40361A	PMO-ROLLER_EXIT	2	SNA	
2.4-5	JC61-70976A	SPRING ETC-FUSER EXIT	2	SNA	
2.4-6	JC47-00013A	THERMOSTAT-_170	1	SA	
2.4-7	JC72-00143A	PMO-GEAR_EXIT_DRV16	1	SNA	
2.4-2	JC66-00396A	GEAR-IDLE 23	1	SA	
2.4-9	6044-000001	RING-CS	1	SNA	
2.4-10	JC66-01204A	GEAR-RDCN 25/15	1	SA	
2.4-11	JC39-00404A	CBF HARNESS-FUSER JOINT	1	SA	
2.4-12	JC39-00559A	HARNESS-FUSER	1	SA	220V
2.4-12	JC39-00558A	HARNESS-FUSER	1	SA	110V
2.4-13	1404-001298	THERMISTOR-NTC	1	SA	
2.4-14	4713-001203	LAMP-HALOGEN	1	SA	110V
2.4-14	4713-001202	LAMP-HALOGEN	1	SA	220V
2.4-15	JC66-00601A	ROLLER-HEAT	1	SA	
2.4-16	JC66-00564A	GEAR-FUSER, Z37	1	SA	
2.4-17	JC61-00589A	BUSH-M-HR L	1	SA	
2.4-18	JC61-00590A	BUSH-M-HR R	1	SA	
2.4-19	JC66-00380A	ROLLER-M-EXIT F/UP	1	SA	
2.4-20	JC73-00017A	RMO-RUBBER_EXIT	2	SA	
2.4-21	JC66-00600A	ROLLER-PRESSURE	1	SA	
2.4-22	JC66-10901A	BUSH	1	SA	
2.4-23	6107-001168	SPRING-CS	1	SA	
2.4-24	JC72-00382A	PMO-BUSHING TX	3	SNA	
2.4-25	JC61-00581A	HOLDER-ACTUATOR	1	SNA	
2.4-26	6107-001165	SPRING-TS	1	SNA	
2.4-27	JC72-00987A	PMO-ACTUATOR_EXIT	1	SA	
2.4-28	JC70-00317A	IPR-P-FRAME_FUSER	1	SNA	
2.4-29	JC61-00595A	GUIDE-M-INPUT	1	SNA	
2.4-30	JC68-01581A	LABEL(P)-CAUTION HOT	1	SNA	
2.4-31	6031-001051	WASHER-PLAIN	1	SNA	
2.4-S1	6003-000282	SCREW-TAPTITE	5	SNA	
2.4-S2	6003-000269	SCREW-TAPTITE	6	SNA	
2.4-S3	6003-000196	SCREW-TAPTITE	1	SNA	
2.4-S4	6006-001078	SCREW-TAPTITE	1	SNA	

2.5. Drive Assembly Exploded View



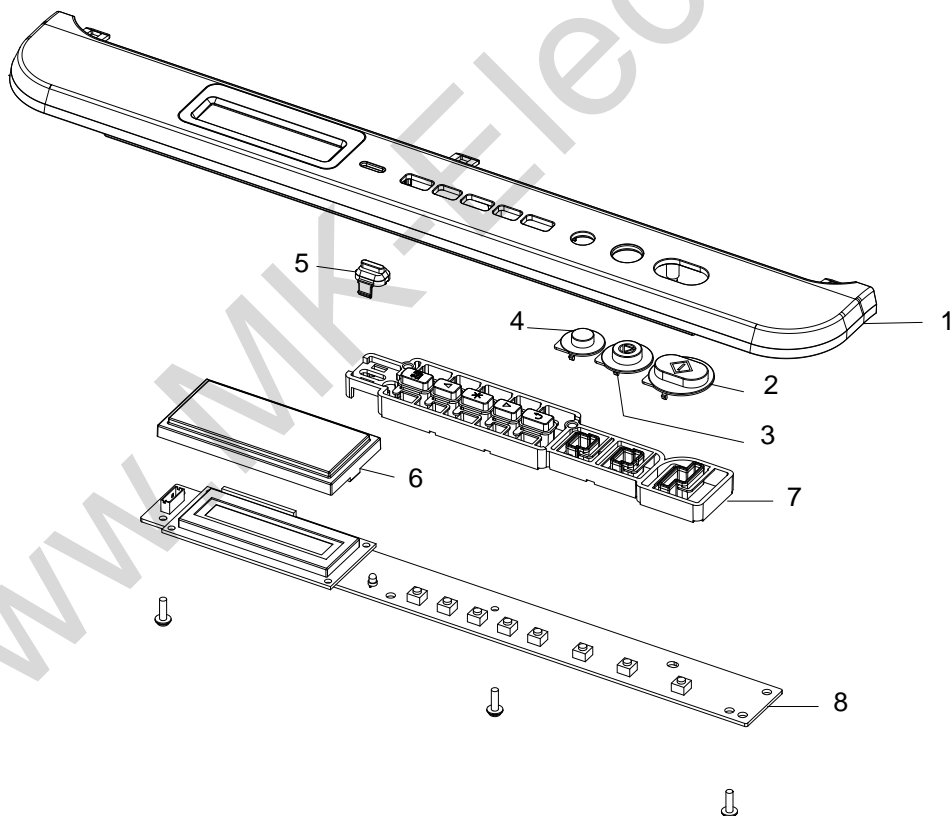
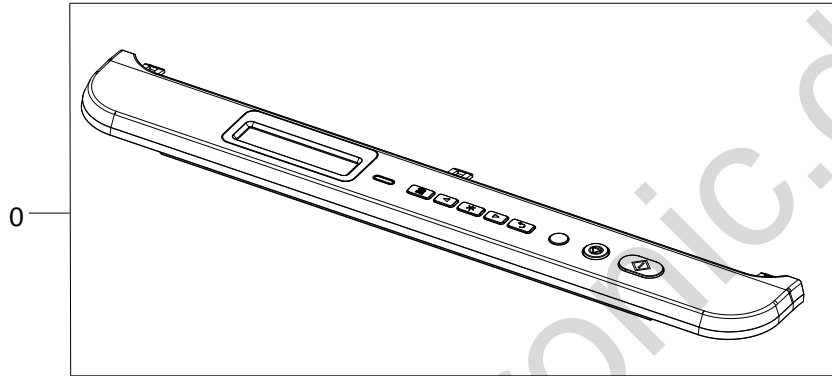
Drawer	SEC_code	Description	Qty	Service	Remark
2.5-0	JC96-03823A	ELA UNIT-DRIVE	1	SA	
2.5-1	JC61-00598B	BRACKET-P-GEAR 1400	1	SA	
2.5-2	JC66-01203A	GEAR-DRV FUSER OUT	1	SA	
2.5-3	JC66-00340A	GEAR-HUB CLUTCH	1	SA	
2.5-4	JC66-01202A	GEAR-DRV FUSER IN	1	SA	
2.5-5	6031-000023	WASHER-PLAIN	3	SNA	
2.5-6	JC66-00391A	GEAR-RDCN 113/33	1	SA	
2.5-7	JC66-00389A	GEAR-RDCN 57/18	2	SA	
2.5-8	JC61-00599A	BRACKET-P-MOTOR 1400	1	SNA	
2.5-9	JC66-00392A	GEAR-RDCN 90/31	1	SA	
2.5-10	JC66-00390A	GEAR-RDCN 103/41	1	SA	
2.5-11	JC31-00028A	MOTOR STEP-HUMMINGBIRD	1	SA	
2.5-12	JC72-00825A	PMO-IMPELLER_DRV	1	SA	
2.5-13	6001-000130	SCREW-MACHINE	5	SA	

2.6. Scan Assembly Exploded View



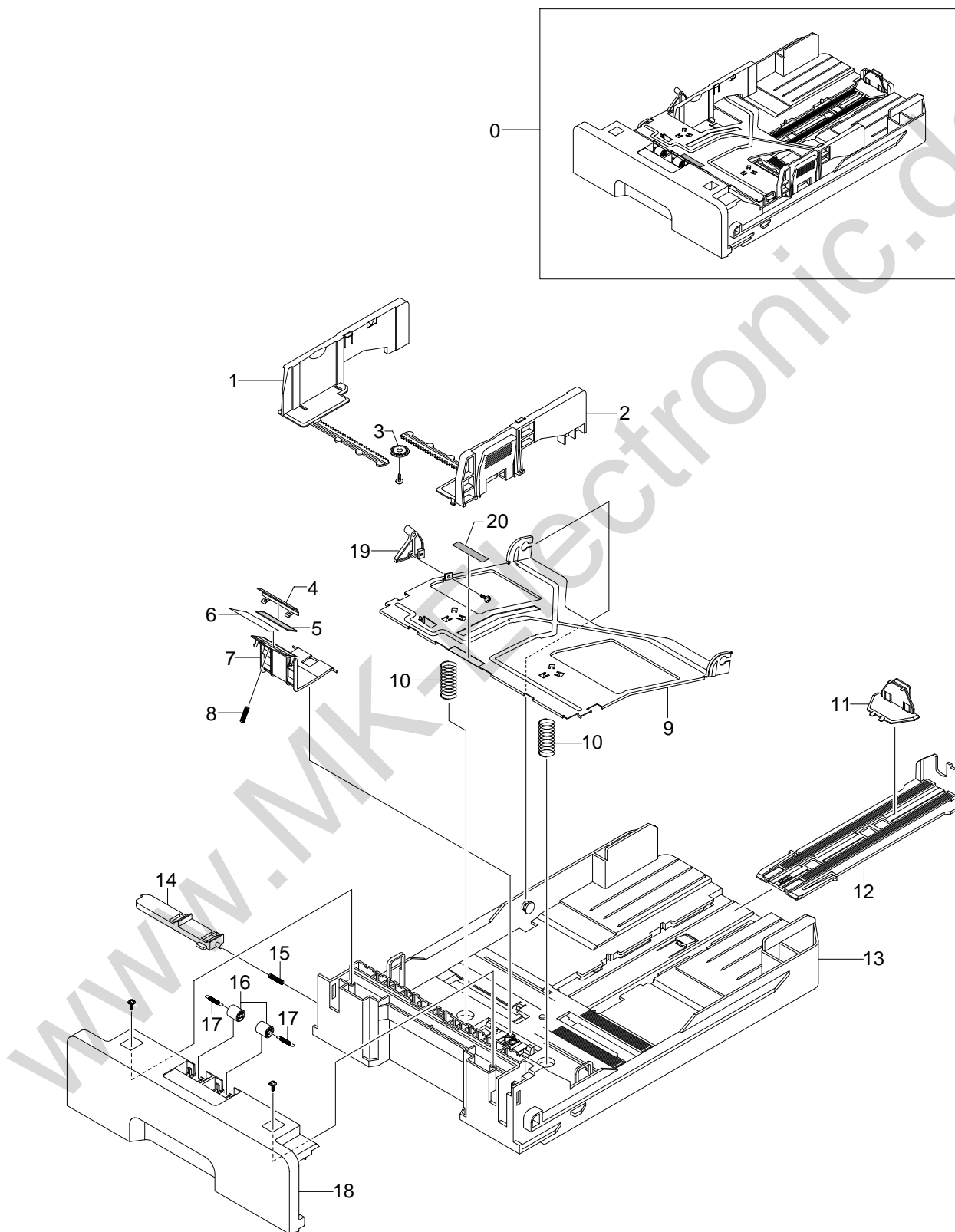
Drawer	SEC_code	Description	Qty	Service	Remark
2.6-0	JC96-05119A	ELA UNIT-SCANNER	1	SA	
2.6-0	JC96-05119C	ELA UNIT-SCANNER	1	SA	XIL
2.6-0	JC96-05119E	ELA UNIT-SCANNER	1	SA	XEV
2.6-A	JC96-05054A	ELA UNIT-COVER PLATEN	1	SA	
2.6-1	JC61-00929B	HINGE-PIVOT	2	SNA	
2.6-2	JC63-01899A	COVER-SCAN PLATTEN	1	SA	
2.6-3	JC63-00209A	SHEET-WHITE SPONGE	1	SA	
2.6-B	JC96-05057A	ELA UNIT-SCAN-UPPER	1	SA	
2.6-4	JC63-01902A	COVER-SCAN UPPER	1	SA	
2.6-5	JB01-00002A	GLASS-PLATEN	1	SA	
2.6-6	JB68-00644A	LABEL(P)-SHADING	1	SA	
2.6-C	JC96-05056A	ELA UNIT-OPE	1	SA	
2.6-C	JC96-05056C	ELA UNIT-OPE	1	SA	XIL
2.6-C	JC96-05056E	ELA UNIT-OPE	1	SA	XEV
2.6-D	JC96-5055A	ELA UNIT-SCAN LOWER	1	SNA	
2.6-8	JC68-01893A	LABEL-BLANK	1	SNA	
2.6-9	JC63-01900A	COVER-SCAN LOWER	1	SA	
2.6-10	JC61-00931A	BRACKET-P-PULLEY	1	SNA	
2.6-11	JC66-00713B	PULLEY-IDLE	1	SA	
2.6-12	6107-001194	SPRING-CS	1	SA	
2.6-13	JC66-00718A	SHAFT-CIS	1	SNA	
2.6-14	JC96-03834A	ELA UNIT-SCAN DRIVE	1	SA	
2.6-15	JC96-05118A	ELA UNIT-CIS	1	SA	
2.6-15-1	6602-001637	BELT-TIMING GEAR	1	SA	
2.6-15-2	JC61-01646A	BRACKET-M-CIS	1	SA	
2.6-15-3	6107-001137	SPRING-CS	2	SA	
2.6-15-4	0609-001307	CONTACT IMAGE SENSOR	1	SA	
2.6-15-5	JC66-01580A	SLIDER-CIS	2	SA	
2.6-16	JC39-00954A	FLAT CABLE	1	SA	

2.7. OPE Assembly Exploded View



Drawer	SEC_code	Description	Qty	Service	Remark
2.7-0	JC96-05056A	ELA UNIT-OPE	1	SA	
2.7-1	JC63-01901A	COVER-PANEL	1	SA	
2.7-2	JC64-00408A	KEY-START	1	SA	
2.7-3	JC64-00409A	KEY-STOP	1	SA	
2.7-4	JC64-00258E	KEY-COPIES	1	SA	
2.7-5	JC67-00156A	CAP-M-LED	1	SA	
2.7-6	JC67-00155A	CAP-M-LCD	1	SA	
2.7-7	JC64-00257E	KEY-MENU	1	SA	
2.7-8	JC92-01760B	PBA SUB-PANEL	1	SA	
2.7-9	6003-000196	SCREW-TAPTITE	3	SA	
2.7-10	JC39-00582A	HARNESS-OPE	1	SA	

2.8. Cassette Assembly Exploded View



Drawer	SEC_code	Description	Qty	Service	Remark
2.8-0	JC97-02436D	MEA UNIT-CASSETTE	1	SA	
2.8-1	JC70-00300A	ADJUST-M-CASSETTE_L	1	SA	
2.8-2	JC70-00301A	ADJUST-M-CASSETTE_R	1	SA	
2.8-3	JG66-40003A	GEAR-PINION	1	SA	
2.8-4	JC70-00314A	IPR-PLATE PAD	1	SA	
2.8-5	JC73-00140A	RPR-FRICTION PAD	1	SA	
2.8-6	JC63-00290A	SHEET-HOLDER PAD	1	SA	
2.8-7	JC61-00580A	HOLDER-M-PAD	1	SA	
2.8-8	JC61-70911A	SPRING ETC-EXIT ROLL FD	1	SA	
2.8-9	JC61-00603A	PLATE-P-KNOCK_UP	1	SNA	
2.8-10	6107-001166	SPRING-CS	2	SA	
2.8-11	JC72-00971A	PMO-EXTENSION SMALL	1	SA	
2.8-12	JC61-00918B	GUIDE-M-EXTENSION L2	1	SA	
2.8-13	JC61-00876A	FRAME-M_CASSETTE	1	SNA	
2.8-14	JC72-00972A	PMO-PLATE_LOCKER	1	SA	
2.8-15	JG61-70531A	SPRING ETC-LOCKER,PLATE	1	SA	
2.8-16	JC66-00529A	ROLLER-M-IDLE FEED	2	SA	
2.8-17	6107-001047	SPRING-ES	2	SNA	
2.8-18	JC61-01641A	GUIDE-M-HANDLE	1	SA	
2.8-19	JC66-00719A	CAM-M-KNOCK UP	1	SNA	
2.8-20	JC73-00141A	RPR-PAD CASSETTE	1	SA	