



Parts Catalog - **CLX-3185 series** **3185/3185N/3185W/ 3185FN/3185FW**



1. Speed
 - Mono : Up to 16 ppm in A4 (17 ppm in Letter)
 - Color : Up to 4 ppm in A4 (4 ppm in Letter)
2. Printing Resolution
 - Max. 2400x600 dpi effective output
3. Processor
 - CHORUS3 (360Mhz), Proprietary SOC

- 4 Printer language emulation : SPL-Color (3185)/
SPL,PCL-Color(3185N/W/FN/FW)
5. Memory : 128MB(3185)/
256MB(3185N/W/FN/FW)
6. One 10/100 base Tx Network connector
(3185N/W/FN/FW)
Wireless LAN: 802.11b/g/n (3185W/FW)

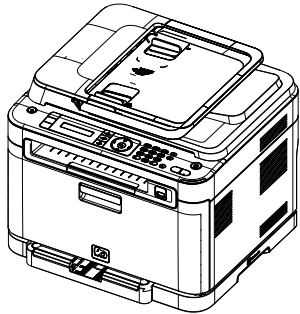
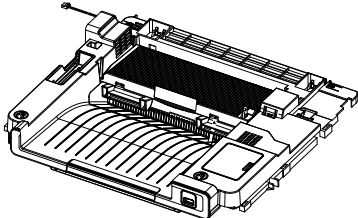
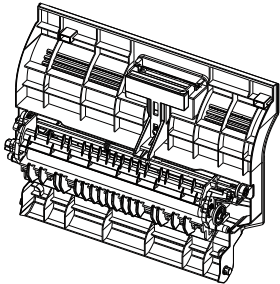
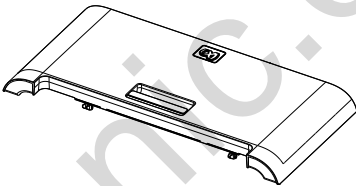
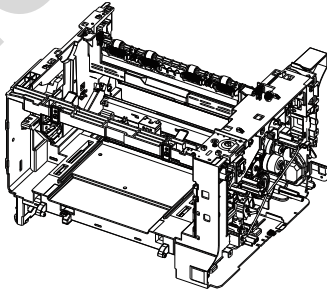
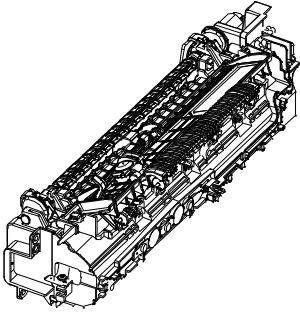
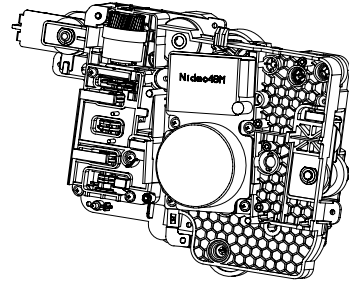
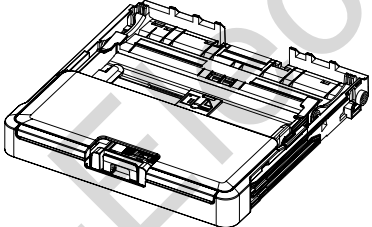
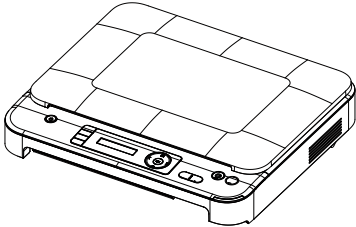
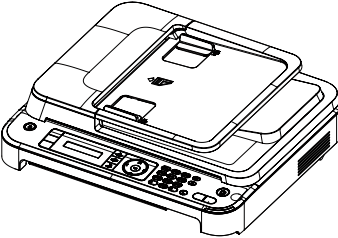
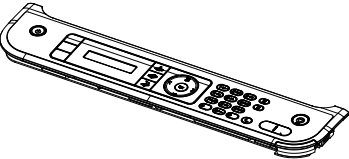
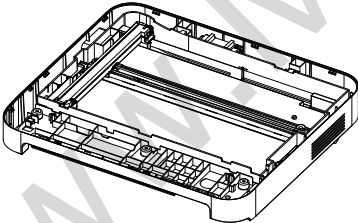
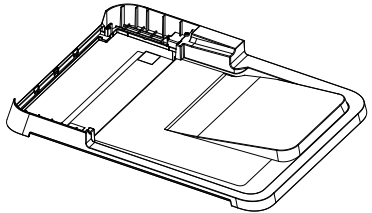
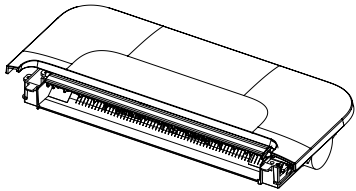
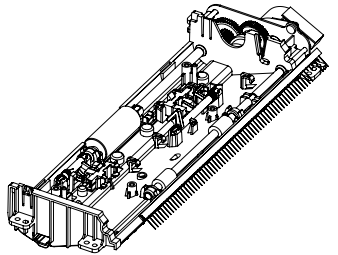
7. Toner cartridge
 - Black : 1K (initial) / 1.5K (sales)
 - Color : 0.7K (initial) / 1K (sales)
8. Cassette 150 sheets
ADF 15 sheets (3185FN/FW)
9. Color : Black

Exploded View and Parts List

Contents

| | |
|--|----|
| Thumbnail | 4 |
| 1. MAIN | 5 |
| 2. COVER-MIDDLE | 7 |
| 3. COVER-REAR | 9 |
| 4. COVER FRONT | 11 |
| 5. FRAME | 13 |
| 6. FUSER | 16 |
| 7. DRIVE | 18 |
| 8. CASSETTE | 20 |
| 9. SCANNER (3 in 1) | 22 |
| 10. SCANNER (4 in 1) | 24 |
| 10A. OPE (4 in 1) | 26 |
| 10B. PLATEN LOWER | 28 |
| 10C. PLATEN-COVER (4 in 1) | 30 |
| 10D. ADF-MAIN (4 in 1) | 32 |
| 10E. ELA UNIT-PATH LOWER (4 in 1)..... | 34 |

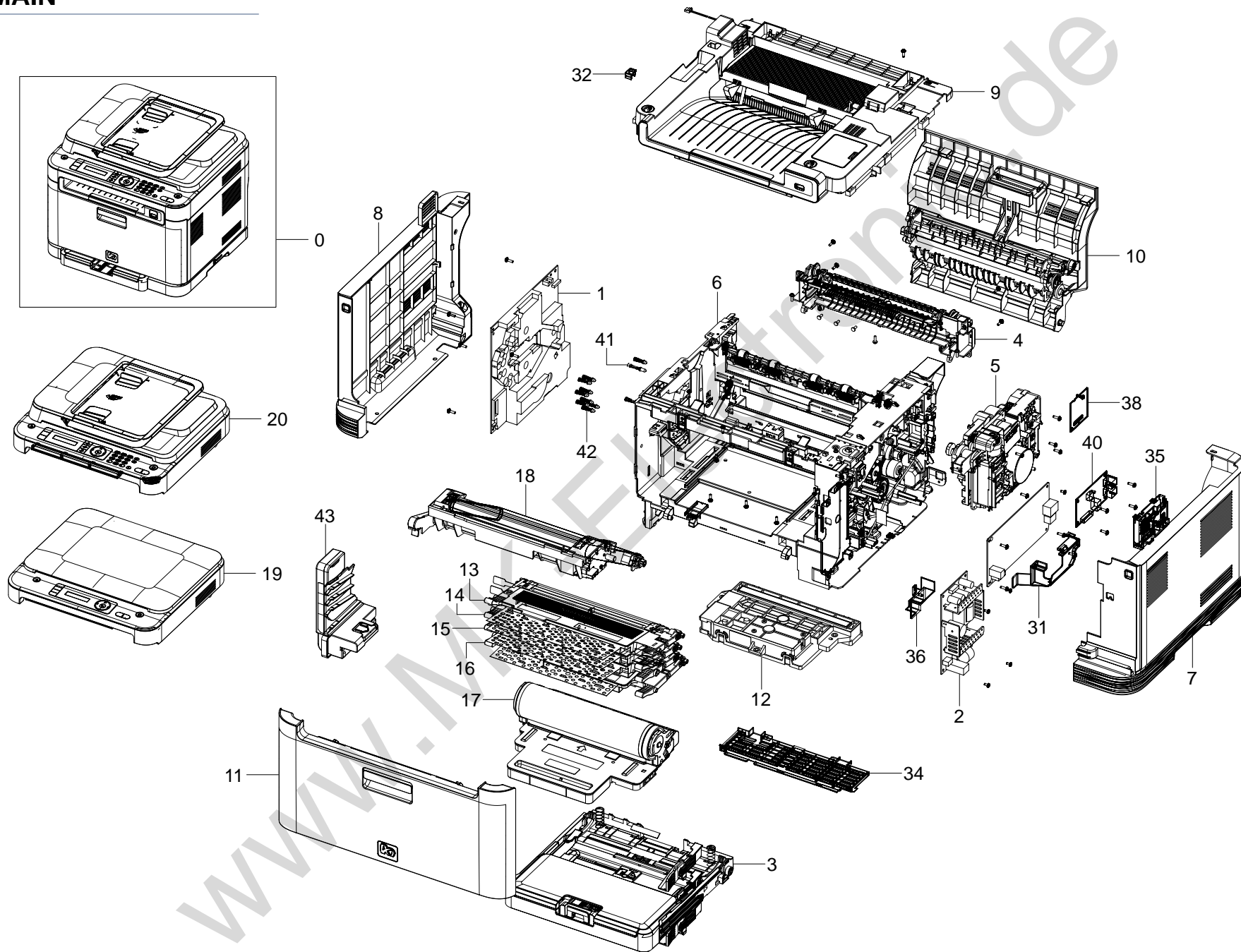
Thumbnail

| | | | | |
|---|---|--|---|---|
|  |  |  |  |  |
| 1. MAIN | 2. COVER-MIDDLE | 3. COVER-REAR | 4. COVER FRONT | 5. FRAME |
|  |  |  |  |  |
| 6. FUSER | 7. DRIVE | 8. CASSETTE | 9. SCANNER (3 in 1) | 10. SCANNER (4 in 1) |
|  |  |  |  |  |
| 10A. OPE (4 in 1) | 10B. PLATEN LOWER | 10C. PLATEN-COVER (4 in 1) | 10D. ADF-MAIN (4 in 1) | 10E. ELA UN IT-PATH LOWER (4 in 1) |

※ REFERENCE PARTS_CODE

| DESCRIPTION | PARTS_CODE | MODEL TOP_CODE | DESCRIPTION | PARTS_CODE | MODEL TOP_CODE |
|----------------|--------------|----------------|------------------|---------------|-----------------|
| COVER-OPE 3IN1 | JC63-02728A | CLX-3185/XAA | SCANNER;CLX-3185 | JC97-03788A | CLX-3186/XAA |
| | JC63-02728B | CLX-3186/XIP | | JC97-03788B | CLX-3186/XIP |
| | JC63-02728C | CLX-3185/XBG | | JC97-03788C | CLX-3185/XBG |
| | JC63-02728D | CLX-3185/XEV | | JC97-03788D | CLX-3185/XEV |
| | JC63-02728E | CLX-3186/XIL | | JC97-03788E | CLX-3186/XIL |
| | JC63-02728F | CLX-3185/STS | | JC97-03788F | CLX-3185/STS |
| | JC63-02728G | CLX-3185/TED | | JC97-03788G | CLX-3185/TED |
| | JC63-02728J | CLX-3185N/XAA | | JC97-03788J | CLX-3185N/XAA |
| | JC63-02728K | CLX-3185N/XAZ | | JC97-03788K | CLX-3185N/XAZ |
| | JC63-02728L | CLX-3185N/XBH | | JC97-03788L | CLX-3185N/XBH |
| | JC63-02728M | CLX-3185N/XEG | | JC97-03788M | CLX-3185N/XEG |
| | JC63-02728N | CLX-3185N/XEV | | JC97-03788N | CLX-3185N/XEV |
| | JC63-02728P | CLX-3185N/TED | | JC97-03788P | CLX-3185N/TED |
| | JC63-02728Q | CLX-3186N/XIL | | JC97-03788Q | CLX-3186N/XIL |
| | OPE;CLX-3185 | JC97-03785A | | CLX-3185/XAA | PLATEN;CLX-3185 |
| JC97-03785B | | CLX-3186/XIP | JC97-03789B | CLX-3186/XIP | |
| JC97-03785C | | CLX-3185/XBG | JC97-03789C | CLX-3185/XBG | |
| JC97-03785D | | CLX-3185/XEV | JC97-03789D | CLX-3185/XEV | |
| JC97-03785E | | CLX-3186/XIL | JC97-03789E | CLX-3186/XIL | |
| JC97-03785F | | CLX-3185/STS | JC97-03789F | CLX-3185/STS | |
| JC97-03785G | | CLX-3185/TED | JC97-03789G | CLX-3185/TED | |
| JC97-03785J | | CLX-3185N/XAA | JC97-03789J | CLX-3185N/XAA | |
| JC97-03785K | | CLX-3185N/XAZ | JC97-03789K | CLX-3185N/XAZ | |
| JC97-03785L | | CLX-3185N/XBH | JC97-03789L | CLX-3185N/XBH | |
| JC97-03785M | | CLX-3185N/XEG | JC97-03789M | CLX-3185N/XEG | |
| JC97-03785N | | CLX-3185N/XEV | JC97-03789N | CLX-3185N/XEV | |
| JC97-03785P | | CLX-3185N/TED | JC97-03789P | CLX-3185N/TED | |
| JC97-03785Q | | CLX-3186N/XIL | JC97-03789Q | CLX-3186N/XIL | |

1. MAIN



MAIN Parts List

SA : SERVICE AVAILABLE, SNA : SERVICE not AVAILABLE

| Drawer# | SEC-Code | Description | Qty | Service | Remark |
|---------|-----------------------------|-------------------|-----|---------|---------------------|
| 0 | CLX-3185FN/FW CLX-3186FN | 4 in 1 model | 1 | | |
| 0 | CLX-3185/N/W CLX-3186/N | 3 in 1 model | 1 | | |
| 1 | JC44-00190A | HVPS | 1 | SA | |
| 2 | JC44-00095C | SMPS | 1 | SA | 110V |
| 2 | JC44-00096C | SMPS | 1 | SA | 220V |
| 3 | JC90-00997A | CASSETTE | 1 | SA | |
| 4 | JC91-00977A | FUSER | 1 | SA | 110V |
| 4 | JC91-00978A | FUSER | 1 | SA | 220V |
| 5 | JC93-00183A | DRIVE | 1 | SA | |
| 6 | JC93-00207E | FRAME | 1 | SNA | |
| 7 | JC63-02712A | COVER-RIGHT | 1 | SA | 3185/3186 |
| 7 | JC63-02712B | COVER-RIGHT | 1 | SA | 3185FN/FW 3186FN |
| 7 | JC63-02712C | COVER-RIGHT | 1 | SA | 3185N/3186N |
| 8 | JC95-01193A | COVER-LEFT | 1 | SA | |
| 9 | JC95-01194A | COVER-MIDDLE | 1 | SA | 3185/3186 |
| 9 | JC95-01194B | COVER-MIDDLE | 1 | SA | 3185FN/ 3186FN |
| 9 | JC95-01194C | COVER-MIDDLE | 1 | SA | 3185FW |
| 9 | JC95-01194D | COVER-MIDDLE | 1 | SA | 3185N/ 3186N |
| 10 | JC95-01195A | COVER-REAR | 1 | SA | |
| 11 | JC95-01196A | COVER-FRONT | 1 | SA | |
| 12 | JC96-04826B | ELA UNIT-LSU | 1 | SA | |
| 13 | JC96-05823A | CARTRIDGE-TONER Y | 1 | SNA | Sales |
| 14 | JC96-05824A | CARTRIDGE-TONER M | 1 | SNA | Sales |
| 15 | JC96-05825A | CARTRIDGE-TONER C | 1 | SNA | Sales |
| 16 | JC96-05826A | CARTRIDGE-TONER K | 1 | SNA | Sales |

| Drawer# | SEC-Code | Description | Qty | Service | Remark |
|---------|---------------|------------------------|-----|---------|-----------------------|
| 17 | JC96-05827A | CARTRIDGE-DRUM | 1 | SNA | Sales |
| 18 | JC96-05874B | CARTRIDGE-TRANSFER | 1 | SA | |
| 19 | JC97-03788A~S | SCANNER | 1 | SNA | 3 in 1 / Refer to 9. |
| 20 | JC97-03798A~P | SCANNER | 1 | SNA | 4 in 1 / Refer to 10. |
| 22 | 6003-000196 | SCREW-TAPTYPE | 40 | SA | |
| 23 | 6003-000269 | SCREW-TAPTYPE | 4 | SA | |
| 25 | JC39-00515A | CBF SIGNAL-LIU FFC | 1 | SNA | 3185FN/FW 3186FN |
| 26 | JC39-01404A | HARNESS-BLDC | 1 | SA | |
| 28 | JC39-01363A | HARNESS-SMPS_SIGNAL | 1 | SNA | |
| 29 | JC39-01364A | HARNESS-SMPS_POWER | 1 | SNA | |
| 31 | JC61-02368A | HOUSING-HARNESS | 1 | SNA | |
| 32 | JC61-02549A | HOLDER-LINK | 1 | SNA | |
| 33 | JC63-01574A | COVER-CABLE | 1 | SA | |
| 34 | JC63-01575A | COVER-HARNESS | 1 | SNA | |
| 35 | JC63-01793A | COVER-HARNESS | 1 | SNA | |
| 36 | JC63-02718A | COVER-SWITCH | 1 | SNA | |
| 38 | JC92-02020A | PBA SUB-ADF | 1 | SA | 3185FN/FW 3186FN |
| 39 | JC92-02279A | PBA-MAIN | 1 | SA | 3185/3186 |
| 39 | JC92-02277B | PBA-MAIN | 1 | SA | 3185FN/3186FN |
| 39 | JC92-02277C | PBA-MAIN | 1 | SA | 3185FW/others |
| 39 | JC92-02277G | PBA-MAIN | 1 | SA | 3185FW/TEG/XEC |
| 40 | JC92-02303A | PBA-FAX CARD | 1 | SA | 3185FN/FW 3186FN |
| 41 | JC96-01673A | ELA UNIT-TERMINAL TR S | 2 | SA | |
| 42 | JC97-01771A | MEA UNIT-TERMINAL S | 9 | SA | |
| 43 | JC97-03021A | MEA UNIT-TANK WASTE | 1 | SA | |

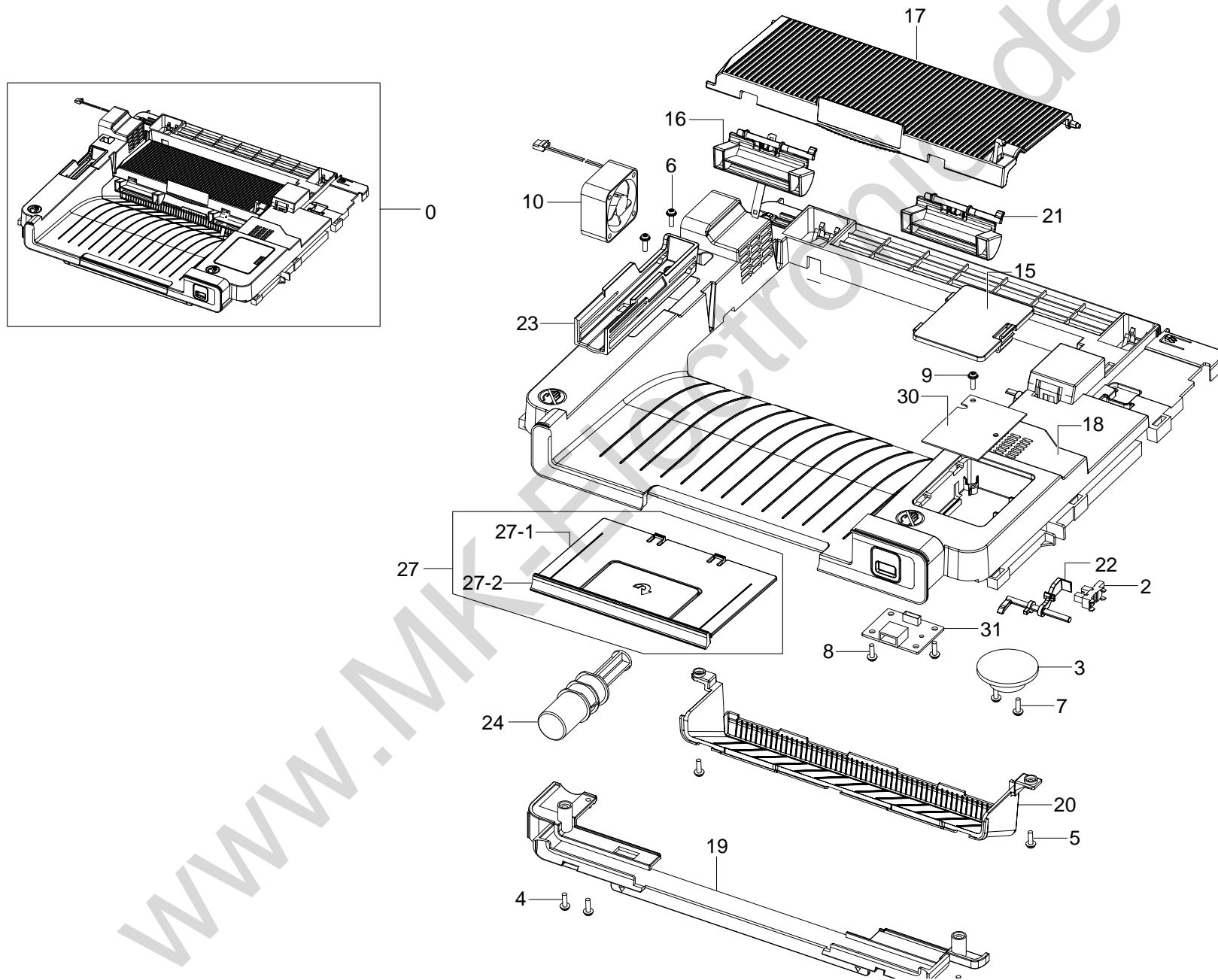
* national different, parts code add. :

ROLLER-HEAT : JC66-02722B (CLX-3185/XEC)

FUSER : JC91-00978B (CLX-3185/XEC)

PBA-MAIN : JC92-02279B (CLX-3185/XEC), JC92-02277A (CLX-3185N/SEE,XAA), JC92-02277E (CLX-3185N/XEC)

2. COVER-MIDDLE



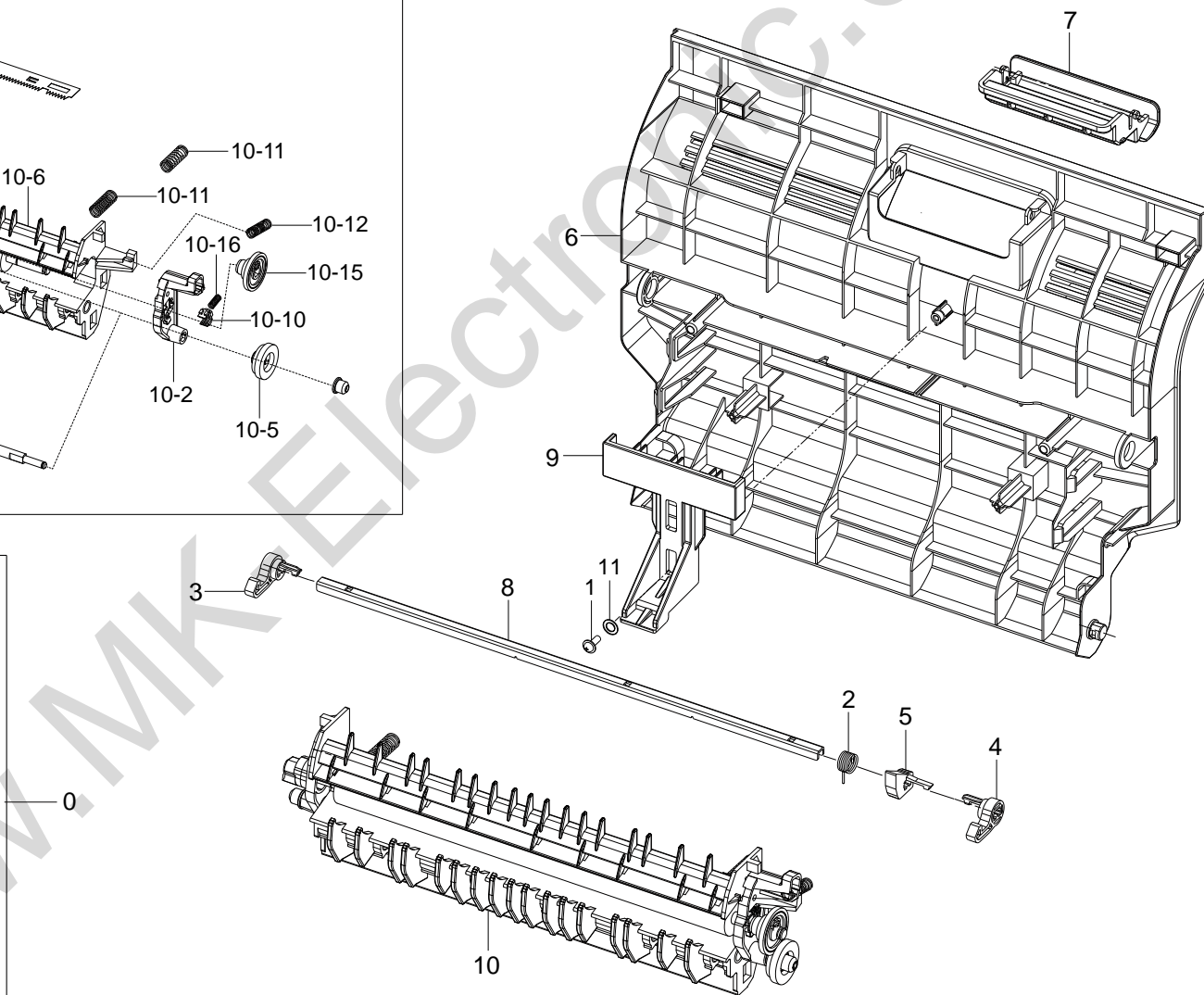
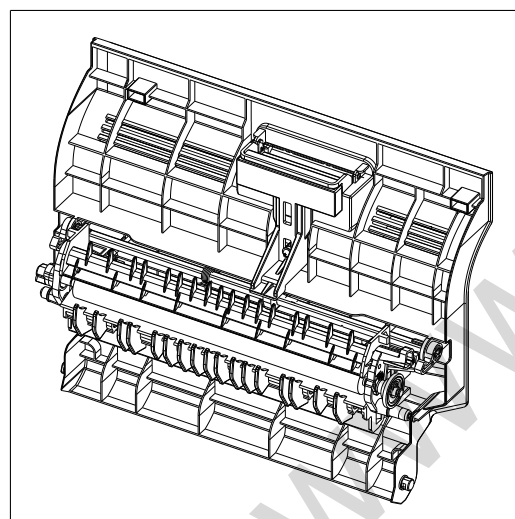
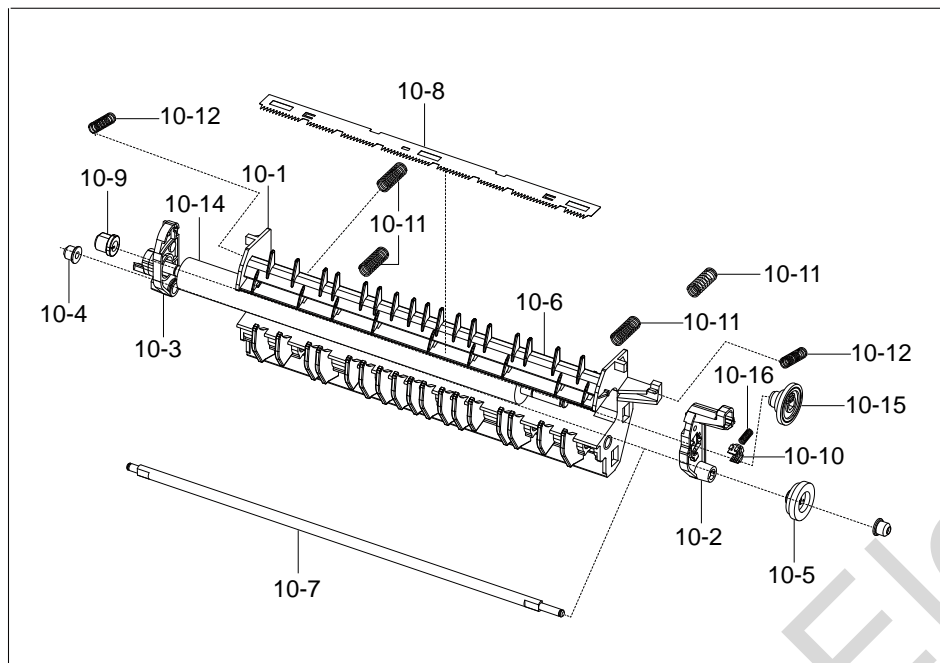
COVER-MIDDLE Parts List

SA : SERVICE AVAILABLE, SNA : SERVICE not AVAILABLE

| Drawer# | SEC_Code | Description | QT'y | Service | Remark |
|---------|-------------|-----------------------|------|---------|---------------------------------|
| 0 | JC95-01194A | COVER-MIDDLE | 1 | SA | 3185/3186 |
| 0 | JC95-01194B | COVER-MIDDLE | 1 | SA | 3185FN/3186FN |
| 0 | JC95-01194C | COVER-MIDDLE | 1 | SA | 3185FW |
| 0 | JC95-01194D | COVER-MIDDLE | 1 | SA | 3185N/3186N |
| 0 | JC95-01194E | COVER-MIDDLE | 1 | SA | 3185W |
| 2 | 0604-001415 | PHOTO-INTERRUPTER | 1 | SA | |
| 3 | 3001-002262 | SPEAKER | 1 | SA | 3185FN/FW 3186FN |
| 4 | 6003-000196 | SCREW-TAPTYPE | 3 | SA | COVER-DUMMY TOP |
| 5 | 6003-000196 | SCREW-TAPTYPE | 2 | SA | COVER-EXIT |
| 6 | 6003-000196 | SCREW-TAPTYPE | 2 | SA | LINK-LOWER |
| 7 | 6003-000196 | SCREW-TAPTYPE | 2 | SA | SPEAKER (3185FN/FW) |
| 8 | 6003-000196 | SCREW-TAPTYPE | 2 | SA | PBA-USB HOST (3185N/W/FN/FW) |
| 9 | 6003-000196 | SCREW-TAPTYPE | 1 | SA | PBA-WLAN (3185W/FW) |
| 10 | JC31-00111A | FAN | 1 | SA | |
| 11 | JC39-00912A | HARNESS-DADF_P_SIZE | 1 | SA | |
| 12 | JC39-00964A | HARNESS-USB-HOST | 1 | SA | 3185N/W/FN/FW |
| 13 | JC39-01405A | HARNESS-SPEAKER JOINT | 1 | SA | 3185FN/FW |
| 14 | JC39-00965A | HARNESS-WLAN | 1 | SA | 3185W/FW |

| Drawer# | SEC_Code | Description | QT'y | Service | Remark |
|---------|-------------|-----------------------|------|---------|---------------------------|
| 15 | JC63-01667C | COVER-WLAN | 1 | SNA | |
| 16 | JC63-02063A | SHEET-STACKER | 1 | SNA | |
| 17 | JC63-02713A | COVER-JAM | 1 | SNA | |
| 18 | JC63-02714A | COVER-MIDDLE | 1 | SNA | 3185/3186 |
| 18 | JC63-02714B | COVER-MIDDLE | 1 | SNA | 3185N/W/FN/FW 3186N/FN |
| 19 | JC63-02715A | COVER-DUMMY TOP | 1 | SNA | |
| 20 | JC63-02740A | COVER-EXIT | 1 | SNA | |
| 21 | JC66-02748A | ACTUATOR-SUB STACKER | 2 | SA | |
| 22 | JC66-01427A | ACTUATOR-OUTFULL | 1 | SA | |
| 23 | JC66-01926B | LINK-LOWER | 1 | SA | |
| 24 | JC66-01932A | DAMPER-OPEN | 1 | SNA | 3185FN/FW |
| 24 | JC66-01932B | DAMPER-OPEN | 1 | SNA | 3185N/W |
| 25 | JC68-01581A | LABEL(P)-CAUTION HOT | 1 | SNA | |
| 26 | JC68-01760A | LABEL-INFORMATION | 1 | SNA | |
| 27 | JC90-00992A | EXIT GUIDE-MIDDLE | 1 | SNA | |
| 27-1 | JC61-03944A | GUIDE-EXTENSION LARGE | 1 | SNA | |
| 27-2 | JC63-02724A | TRAY-ASF FOLDER | 1 | SNA | |
| 30 | JC92-02308A | PBA-SUB WLAN | 1 | SA | 3185W/FW |
| 31 | JC92-02048A | PBA-USB HOST | 1 | SA | 3185N/W/FN/FW |

3. COVER-REAR



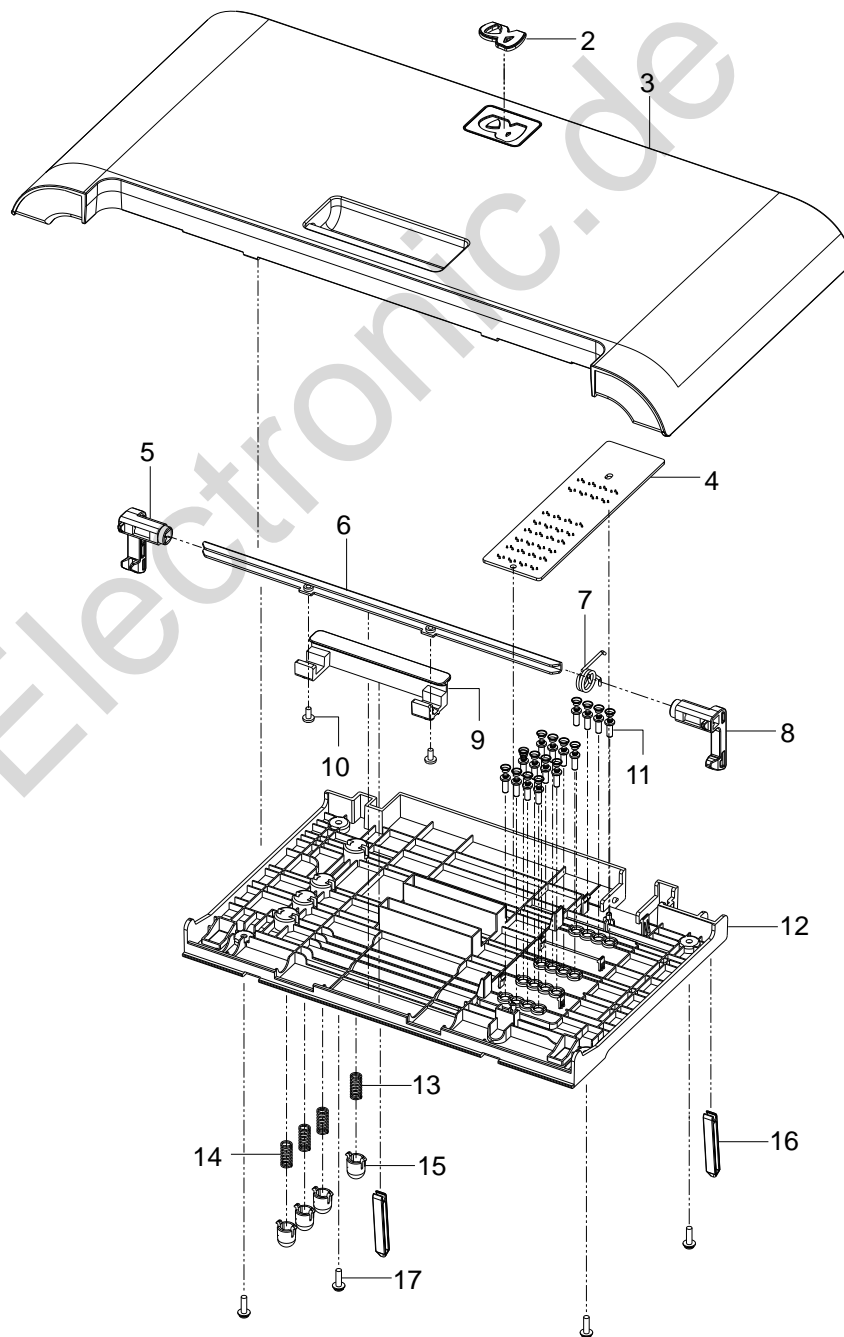
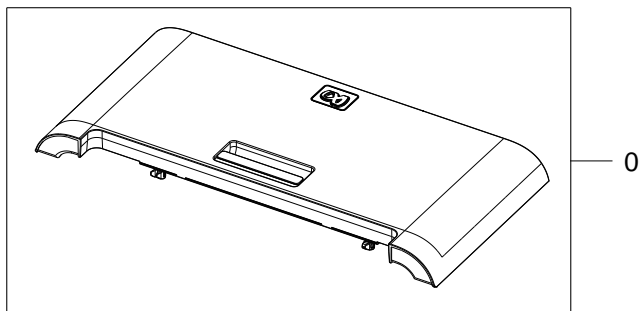
COVER-REAR Parts List

SA : SERVICE AVAILABLE, SNA : SERVICE not AVAILABLE

| Drawer# | SEC_Code | Description | QT'y | Service | Remark |
|---------|-------------|----------------------|------|---------|--------|
| 0 | JC95-01195A | COVER-REAR | 1 | SA | |
| 1 | 6002-000440 | SCREW-TAPPING | 1 | SNA | |
| 2 | 6107-001268 | SPRING-TS | 1 | SA | |
| 3 | JC61-01456B | HOLDER-HOOK REAR L | 1 | SNA | |
| 4 | JC61-01461B | HOLDER-HOOK REAR R | 1 | SNA | |
| 5 | JC61-02254A | HOLDER-HOOK REAR C | 1 | SNA | |
| 6 | JC63-02719A | COVER-REAR | 1 | SNA | |
| 7 | JC64-00560A | BUTTON-OPEN REAR | 1 | SNA | |
| 8 | JC66-01089A | SHAFT-P-LOCKBAR REAR | 1 | SNA | |
| 9 | JC66-02688A | LEVER-REAR LOCK | 1 | SNA | |
| 10 | JC95-01197A | COVER-REAR TRANSFER | 1 | SA | |
| 10-1 | JC61-03960A | FRAME-TRANSFER_T | 1 | SNA | |
| 10-2 | JC66-01747A | LEVER-T2 R | 1 | SNA | |

| Drawer# | SEC_Code | Description | QT'y | Service | Remark |
|---------|-------------|-----------------------|------|---------|--------|
| 10-3 | JC66-01746A | LEVER-T2 L | 1 | SNA | |
| 10-4 | JC61-01469A | HOLDER-M-LOCATE SHAFT | 1 | SNA | |
| 10-5 | JC66-01745A | GEAR-T2 DRIVE | 1 | SA | |
| 10-6 | JC61-03794A | PLATE-GND | 1 | SNA | |
| 10-7 | JC66-02740A | SHAFT-LOCATE | 1 | SNA | |
| 10-8 | JC70-10232A | IPR-PLATE SAW | 1 | SA | |
| 10-9 | JC61-01543A | BUSH-CHARGE LEFT | 1 | SNA | |
| 10-10 | JC72-40332A | PMO-BUSHING_CHARGE | 1 | SNA | |
| 10-11 | 6107-001278 | SPRING-CS | 4 | SA | |
| 10-12 | 6107-001387 | SPRING-CS | 2 | SA | |
| 10-14 | JC66-02717A | ROLLER-TRANSFER | 1 | SNA | |
| 10-15 | JC66-01743A | GEAR-T2 ROLLER | 1 | SA | |
| 10-16 | 6107-000103 | SPRING-CS | 1 | SNA | |

4. COVER FRONT



COVER FRONT Parts List

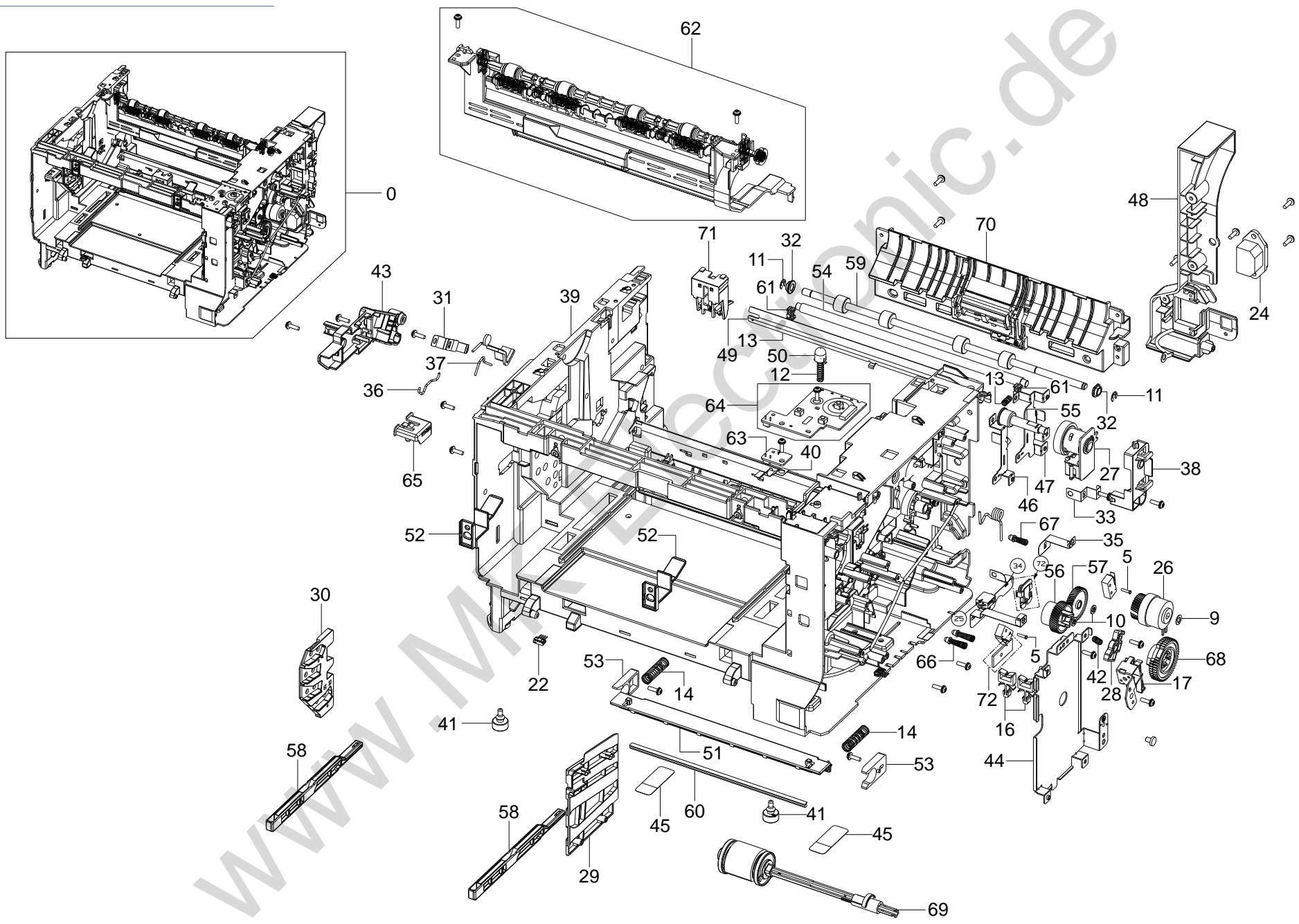
SA : SERVICE AVAILABLE, SNA : SERVICE not AVAILABLE

| Drawer# | SEC_Code | Description | QT'y | Service | Remark |
|---------|-------------|-------------------|------|---------|--------|
| 0 | JC95-01196A | COVER-FRONT | 1 | SA | |
| 2 | JC64-00429A | BADGE-COLOR SMALL | 1 | SNA | |
| 3 | JC63-02721A | COVER-FRONT | 1 | SNA | |
| 4 | JC92-01989A | PBA SUB-CRUMJOINT | 1 | SA | |
| 5 | JC64-00383B | LOCKER-FRONT R | 1 | SA | |
| 6 | JC66-01921A | SHAFT-LOCK BAR | 1 | SNA | |
| 7 | 6107-001392 | SPRING-TS | 1 | SA | |
| 8 | JC64-00384B | LOCKER-FRONT L | 1 | SA | |
| 9 | JC63-02722A | COVER-HANDLE | 1 | SNA | |

| Drawer# | SEC_Code | Description | QT'y | Service | Remark |
|---------|-------------|-------------------|------|---------|--------|
| 10 | 6003-000269 | SCREW-TAPTYPE | 2 | SA | |
| 11 | JC97-03039A | MEA-CRUM TERMINAL | 16 | SA | |
| 12 | JC63-02720A | COVER-FRONT INNER | 1 | SNA | |
| 13 | 6107-001403 | SPRING-CS | 1 | SNA | |
| 14 | 6107-001404 | SPRING-CS | 3 | SNA | |
| 15 | JC64-00349A | BUTTON-SUPPORT | 4 | SNA | |
| 16 | JC66-01748A | LEVER-LSU | 2 | SA | |
| 17 | 6003-000196 | SCREW-TAPTYPE | 4 | SA | |

www.MK-Electronics.com

5. FRAME



FRAME Parts List

SA : SERVICE AVAILABLE, SNA : SERVICE not AVAILABLE

| Drawer# | SEC_Code | Description | QT'y | Service | Remark |
|---------|-------------|--------------------|------|---------|--------|
| 0 | JC93-00207E | FRAME MAIN | 1 | SNA | |
| 5 | 6003-000152 | SCREW-TAPTYPE | 2 | SA | |
| 6 | 6003-000196 | SCREW-TAPTYPE | 25 | SA | |
| 7 | 6003-000269 | SCREW-TAPTYPE | 1 | SA | |
| 8 | 6003-000301 | SCREW-TAPTYPE | 1 | SA | |
| 9 | 6031-001255 | WASHER-PLAIN | 1 | SA | |
| 10 | 6044-000001 | RING-CS | 2 | SA | |
| 11 | 6044-000125 | RING-E | 2 | SA | |
| 12 | 6107-001120 | SPRING-CS | 1 | SNA | |
| 13 | 6107-001309 | SPRING-CS | 2 | SA | |
| 14 | 6107-001409 | SPRING-CS | 2 | SA | |
| 15 | 6107-002638 | SPRING-TS | 1 | SA | |
| 16 | 6502-000132 | CABLE CLAMP | 2 | SNA | |
| 17 | JC33-00026A | SOLENOID-PICK UP | 1 | SA | |
| 18 | JC39-00866A | FLAT CABLE | 1 | SNA | |
| 19 | JC39-00867A | FLAT CABLE | 1 | SNA | |
| 20 | JC39-00900A | HARNESS-COVERSW | 1 | SNA | |
| 21 | JC39-01366A | HARNESS-GND | 1 | SNA | |
| 22 | JC39-00906A | HARNESS-CRUMJOINT | 1 | SNA | |
| 24 | JC39-01365A | HARNESS-INLET | 1 | SNA | |
| 26 | JC47-00019A | CLUTCH-DEVE CAM | 1 | SA | |
| 27 | JC47-00020A | CLUTCH-FUSER CAM | 1 | SA | |
| 28 | JC61-01548A | HOLDER-M-CAM | 1 | SNA | |
| 29 | JC61-02357A | GUIDE-RAIL R | 1 | SNA | |
| 30 | JC61-02359A | GUIDE-RAIL L | 1 | SNA | |
| 31 | JC61-02369A | PLATE-GROUND OPC L | 1 | SNA | |
| 32 | JC61-02372A | BUSH-D6/L4 | 2 | SA | |
| 33 | JC61-02376A | PLATE-GROUND FUSER | 1 | SNA | |
| 34 | JC61-02377A | PLATE-GROUND REGI | 1 | SNA | |
| 35 | JC61-02379A | PLATE-GROUND T2 | 1 | SNA | |
| 36 | JC61-02415A | SPRING ETC-OPC L | 1 | SA | |

| Drawer# | SEC_Code | Description | QT'y | Service | Remark |
|---------|-------------|-------------------------|------|---------|--------|
| 37 | JC61-02417A | SPRING ETC-ITB L | 1 | SA | |
| 38 | JC61-02425A | HOLDER-CLUTCH | 1 | SA | |
| 39 | JC61-03795A | FRAME-BASE TISSOT | 1 | SNA | |
| 40 | JC61-02473A | PLATE-SWITCH | 1 | SNA | |
| 41 | JC61-40001A | FOOT-ML80 | 2 | SA | |
| 42 | JC61-70940A | SPRING ETC-TR(12) | 1 | SA | |
| 43 | JC63-01592A | COVER-GROUND OPC | 1 | SNA | |
| 44 | JC63-01654A | SHIELD-SMPS | 1 | SNA | |
| 45 | JC63-01779A | SHEET-DEFLECTION | 2 | SNA | |
| 47 | JC63-02632A | GROUND-MAIN Z | 1 | SNA | |
| 48 | JC63-02739A | COVER-DUMMY FRAME | 1 | SNA | |
| 49 | JC63-02743A | GROUND-T2 | 1 | SNA | |
| 50 | JC64-00349A | BUTTON-SUPPORT | 1 | SNA | |
| 51 | JC64-00350A | SHUTTER-LSU | 1 | SNA | |
| 52 | JC64-00365A | LOCKER-ITB | 2 | SA | |
| 53 | JC66-00050A | CAM-CATCH | 2 | SA | |
| 54 | JC66-01120A | SHAFT-FEED IDLE | 1 | SNA | |
| 55 | JC66-01207A | SHAFT-M-CLUTCH FUSER | 1 | SA | |
| 56 | JC66-01721A | GEAR-REGI DRIVE | 1 | SA | |
| 57 | JC66-01722A | GEAR-REGI RELAY | 1 | SA | |
| 58 | JC66-01740A | LINK-LSU | 2 | SNA | |
| 59 | JC66-02720A | ROLLER-REGI_T | 1 | SNA | |
| 60 | JC67-00168A | BRUSH-LSU | 1 | SNA | |
| 61 | JC72-00102A | PMO-BUSHING_TR(L) | 2 | SA | |
| 62 | JC90-00994A | EXIT | 1 | SA | |
| 63 | JC92-02003A | PBA SUB-5V_SWITCH | 1 | SA | |
| 65 | JC96-04756A | ELA UNIT-SENSOR WASTE | 1 | SA | |
| 66 | JC97-01771A | MEA UNIT-TERMINAL S | 2 | SA | |
| 67 | JC97-02638A | MEA UNIT-TERMINAL GND | 1 | SA | |
| 68 | JC97-03027A | MEA UNIT-PICK UP GEAR | 1 | SA | |
| 69 | JC93-00297A | FRAME BASE-PICK UP ROLL | 1 | SA | |

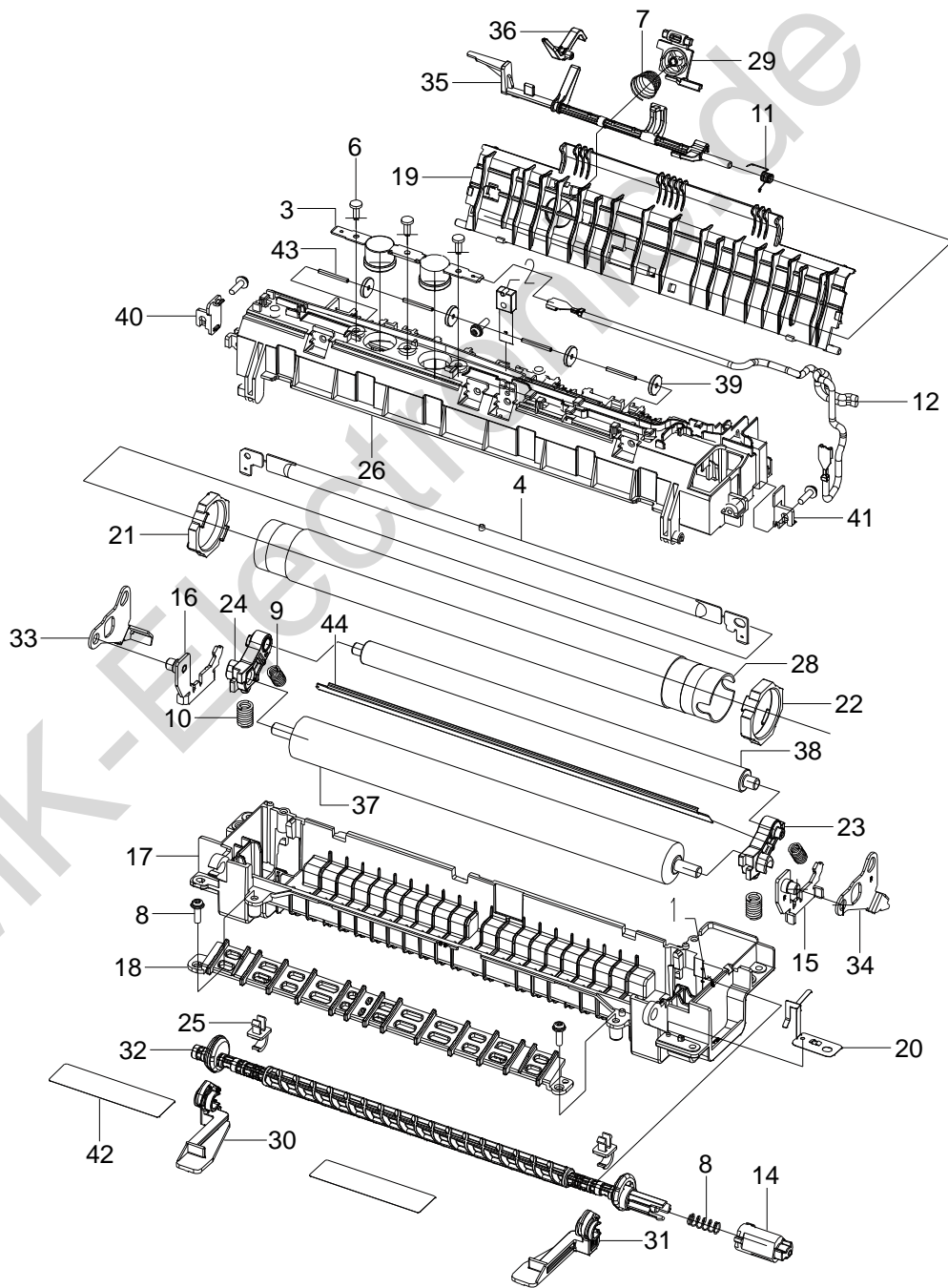
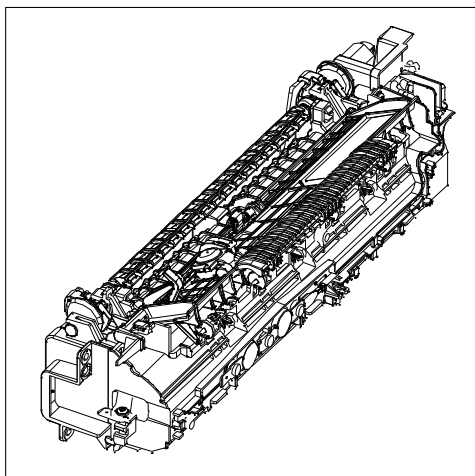
FRAME Parts List

SA : SERVICE AVAILABLE, SNA : SERVICE not AVAILABLE

| Drawer# | SEC_Code | Description | QT'y | Service | Remark |
|---------|-------------|-------------------------|------|---------|--------|
| 70 | JC93-00296A | FRAME BASE-GUIDE PICKUP | 1 | SA | |
| 71 | JC97-03030A | MEA UNIT-ACT REGI | 1 | SA | |

| Drawer# | SEC_Code | Description | QT'y | Service | Remark |
|---------|-------------|-------------|------|---------|--------|
| 72 | JC98-01393A | BOARD-PTL | 1 | SNA | |

6. FUSER



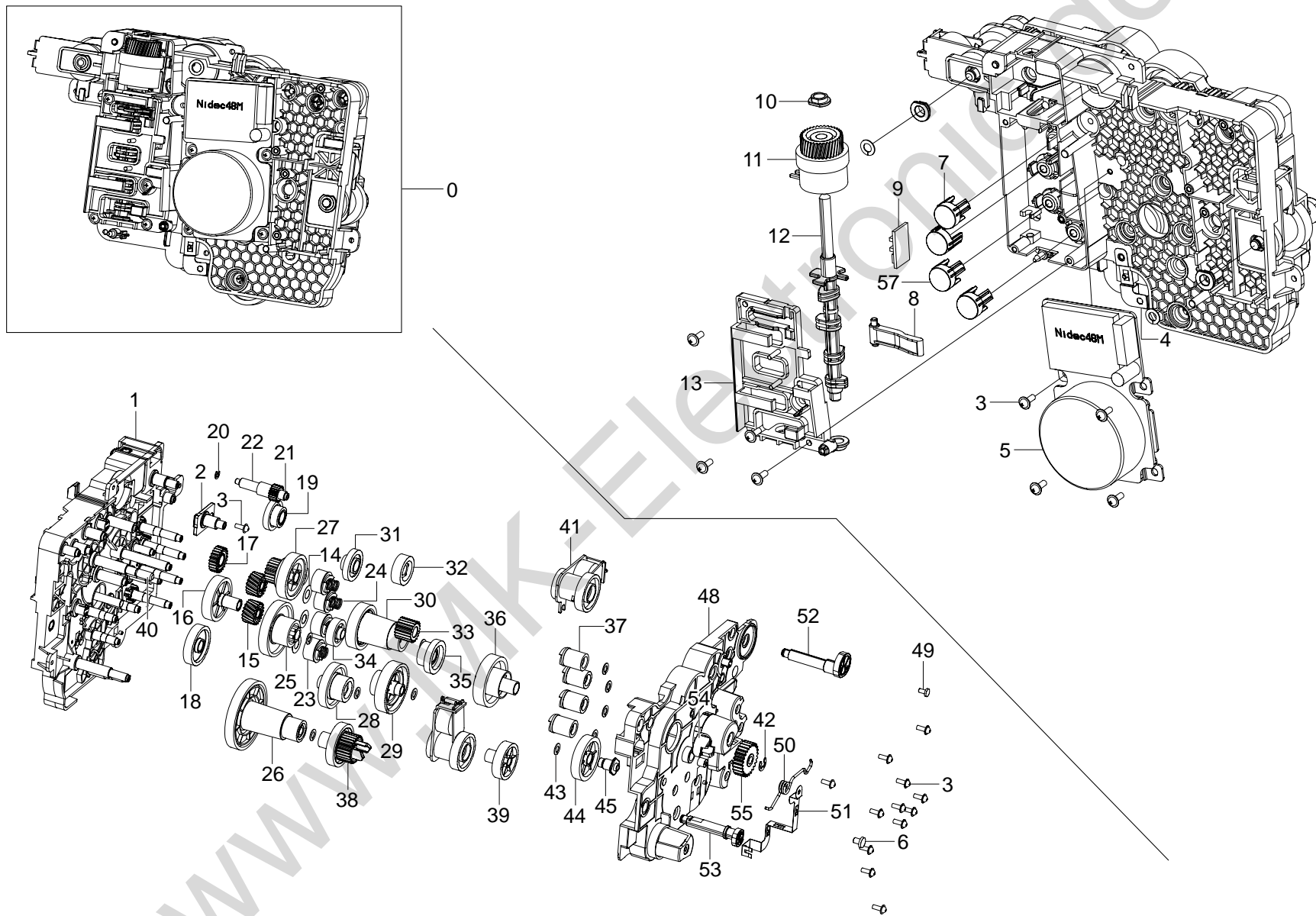
FUSER Parts List

SA : SERVICE AVAILABLE, SNA : SERVICE not AVAILABLE

| Drawer# | SEC_Code | Description | QT'y | Service | Remark |
|---------|-------------|----------------------|------|---------|--------|
| 0 | JC91-00977A | FUSER | 1 | SA | 110V |
| 0 | JC91-00978A | FUSER | 1 | SA | 220V |
| 2 | 1404-001447 | THERMISTOR-NTC ASSY | 1 | SA | |
| 3 | 4712-001031 | THERMOSTAT | 1 | SA | |
| 4 | 4713-001242 | LAMP-HALOGEN | 1 | SA | 110V |
| 4 | 4713-001531 | LAMP-HALOGEN | 1 | SA | 220V |
| 5 | 6003-000196 | SCREW-TAPTYPE | 7 | SA | |
| 6 | 6003-000282 | SCREW-TAPTYPE | 3 | SA | |
| 7 | 6107-001169 | SPRING-CS | 1 | SA | |
| 8 | 6107-001290 | SPRING-CS | 1 | SA | |
| 9 | 6107-001397 | SPRING-CS | 2 | SA | |
| 10 | 6107-002618 | SPRING-CS | 2 | SA | |
| 11 | 6107-001507 | SPRING-TS | 1 | SA | |
| 12 | JC39-01368A | HARNESS-FUSER_LINK2 | 1 | SNA | |
| 13 | JC39-01367A | HARNESS-FUSER_AC | 1 | SNA | |
| 14 | JC61-01647A | HOLDER-M-SHAFT FUSER | 1 | SA | |
| 15 | JC61-02287A | HOLDER-BUSH R | 1 | SNA | |
| 16 | JC61-02290A | HOLDER-BUSH L | 1 | SNA | |
| 17 | JC61-03732A | FRAME-LOWER FUSER | 1 | SNA | |
| 18 | JC61-03730A | GUIDE-INPUT FUSER | 1 | SNA | |
| 19 | JC61-03728A | GUIDE-OUTPUT FUSER | 1 | SA | |
| 20 | JC61-02371A | PLATE-GROUND FUSER | 1 | SNA | |
| 21 | JC61-02392A | BUSH-HR L | 2 | SNA | |

| Drawer# | SEC_Code | Description | QT'y | Service | Remark |
|---------|-------------|-----------------------|------|---------|--------|
| 22 | JC61-02393A | BUSH-HR R | 1 | SNA | |
| 23 | JC61-03742A | BUSH-2PR R | 1 | SNA | |
| 24 | JC61-03743A | BUSH-2PR L | 1 | SNA | |
| 25 | JC61-02411A | BUSH-TX | 2 | SNA | |
| 26 | JC61-03208A | FRAME-UPPER FUSER | 1 | SNA | |
| 27 | JC66-02829A | GEAR-FUSER | 1 | SA | |
| 28 | JC66-02722A | ROLLER-HEAT | 1 | SNA | |
| 29 | JC66-01695A | LEVER-COVER OPEN | 1 | SNA | |
| 30 | JC66-01700A | LEVER-JAM L | 1 | SNA | |
| 31 | JC66-01701A | LEVER-JAM R | 1 | SNA | |
| 32 | JC66-01737A | SHAFT-CAM FUSER | 1 | SA | |
| 33 | JC66-01738A | LEVER-RELEASE L | 1 | SNA | |
| 34 | JC66-01742A | LEVER-RELEASE R | 1 | SNA | |
| 35 | JC66-02760A | ACTUATOR-EXIT FUSER | 1 | SNA | |
| 36 | JC66-02569A | ACTUATOR-EXIT SUB | 1 | SNA | |
| 37 | JC66-02567B | ROLLER-PRESSURE | 1 | SNA | |
| 38 | JC66-01804A | ROLLER-PRESSURE SHAFT | 1 | SNA | |
| 39 | JC66-02010A | ROLLER-IDLE | 4 | SNA | |
| 40 | JC67-00280A | CAP-FUSER L | 1 | SNA | |
| 41 | JC67-00281A | CAP-FUSER R | 1 | SNA | |
| 42 | JC68-01581C | LABEL-CAUTION | 2 | SNA | |
| 43 | JC70-20901A | IEX-SHAFT IDLE,F/UP | 4 | SA | |
| 44 | JC61-03729A | GUIDE PR | 1 | SNA | |

7. DRIVE



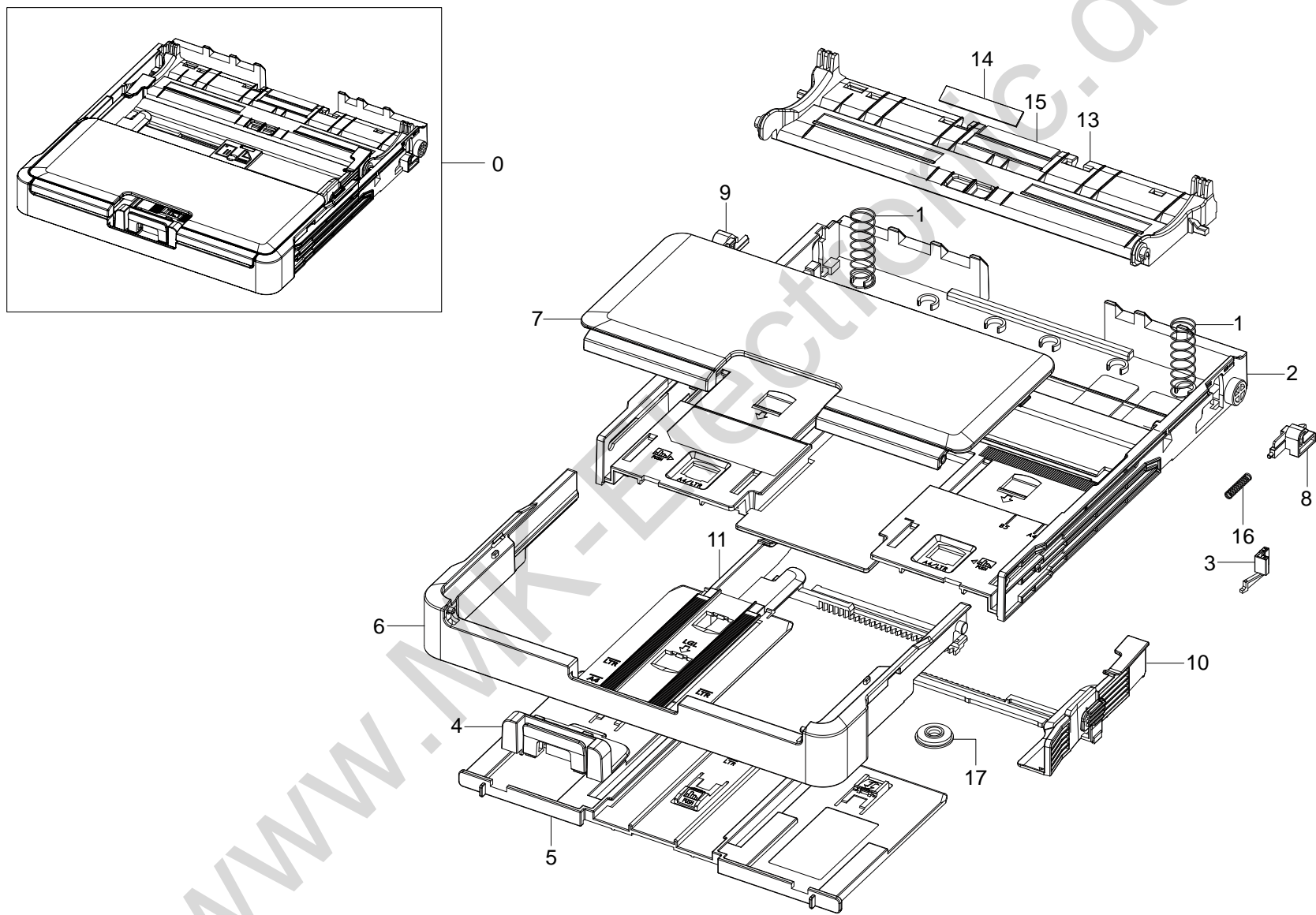
DRIVE Parts List

SA : SERVICE AVAILABLE, SNA : SERVICE not AVAILABLE

| Drawer# | SEC_Code | Description | QT'y | Service | Remark |
|---------|-------------|-----------------------|------|---------|--------|
| 0 | JC93-00183A | DRIVE | 1 | SA | |
| 1 | JC61-03880A | BRACKET-DRIVE MAIN/T | 1 | SNA | |
| 2 | JC61-02279A | BRACKET-STUD | 1 | SNA | |
| 3 | 6002-000440 | SCREW-TAPPING | 25 | SA | |
| 4 | JC61-02374A | PLATE-GROUND MOTOR | 1 | SNA | |
| 5 | JC31-00091B | MOTOR BLDC | 1 | SA | |
| 6 | 6003-000301 | SCREW-TAPTYPE | 1 | SA | |
| 7 | JC67-00278A | CAP-PUSH COUPLING | 3 | SNA | |
| 8 | JC66-02617A | LINK-PUSH BLACK CAP/T | 1 | SNA | |
| 9 | JC92-01986A | PBA SUB-DEVEHOME | 1 | SA | |
| 10 | JC61-02372A | BUSH-D6/L4 | 4 | SA | |
| 11 | JC47-00019A | CLUTCH-DEVE CAM | 1 | SA | |
| 12 | JC66-02618A | SHAFT-DEVE CAM/T | 1 | SNA | |
| 13 | JC61-02292A | HOLDER-DEVE CAM | 1 | SNA | |
| 14 | 6031-001490 | WASHER-PLAIN | 4 | SNA | |
| 15 | JC66-02616A | GEAR-IDLE DEVE/T | 2 | SA | |
| 16 | JC66-02607A | GEAR-IDLE Z39 T | 1 | SA | |
| 17 | JC66-01707A | GEAR-EXIT IDLE | 1 | SA | |
| 18 | JC66-01714A | GEAR-IDLE ITB Z57 | 1 | SA | |
| 19 | JC66-01697A | GEAR-RDCN DEVE CAM | 1 | SA | |
| 20 | 6044-000159 | RING-C | 1 | SNA | |
| 21 | JC66-01060A | SHAFT-WORM GEAR | 1 | SNA | |
| 22 | JC66-01057A | GEAR-WORM DEVE CAM | 1 | SA | |
| 23 | JC66-01705A | GEAR-DEVE COUPLING | 4 | SA | |
| 24 | 6107-001362 | SPRING-CS | 4 | SA | |
| 25 | JC66-02605A | GEAR-RDCN OPC | 1 | SA | |
| 26 | JC66-02701A | GEAR-ITB_DRIVE_HT | 1 | SA | |
| 27 | JC66-01728A | GEAR-RDCN EXIT | 1 | SA | |

| Drawer# | SEC_Code | Description | QT'y | Service | Remark |
|---------|-------------|-----------------------|------|---------|--------|
| 28 | JC66-01727A | GEAR-RDCN P_PATH | 1 | SA | |
| 29 | JC66-02600A | GEAR-RDCN DEVE | 1 | SA | |
| 30 | JC66-02601A | GEAR-OPC DRIVE T | 1 | SA | |
| 31 | JC66-01704A | GEAR-DEVE CLUTCH Z27 | 1 | SA | |
| 32 | JC66-01710A | GEAR-IDLE CLUTCH CAM | 1 | SA | |
| 33 | JC66-01708A | GEAR-EXIT RELAY | 1 | SA | |
| 34 | JC66-01711A | GEAR-IDLE FUSER CAM | 1 | SA | |
| 35 | JC66-01729A | GEAR-RDCN FUSER CAM | 1 | SA | |
| 36 | JC66-01709A | GEAR-FUSER DRIVE | 1 | SA | |
| 37 | JC66-01706A | GEAR-DEVE DRIVE | 4 | SA | |
| 38 | JC66-01718A | GEAR-PICK UP DRIVE | 1 | SA | |
| 39 | JC66-01715A | GEAR-IDLE Z32 | 1 | SA | |
| 40 | JC66-01814A | SHAFT-DRIVE FUSER | 1 | SNA | |
| 41 | JC47-00007F | CLUTCH-ITB CAM | 2 | SA | |
| 42 | 6044-000231 | RING-E | 1 | SNA | |
| 43 | 6031-001255 | WASHER-PLAIN | 12 | SA | |
| 44 | JC66-01717A | GEAR-IDLE Z39 F | 1 | SA | |
| 45 | JC66-01061A | SHAFT-IDLE D8 | 1 | SNA | |
| 48 | JC61-03881A | BRACKET-DRIVE FRONT/T | 1 | SNA | |
| 49 | 6001-000130 | SCREW-MACHINE | 1 | SA | |
| 50 | JC61-02419A | SPRING ETC-GROUND OPC | 1 | SNA | |
| 51 | JC61-02373A | PLATE-GROUND OPC | 1 | SNA | |
| 52 | JC66-01724A | SHAFT-ITB CLEAN CAM | 1 | SNA | |
| 53 | JC66-01723A | SHAFT-T2 CAM | 1 | SNA | |
| 54 | JC66-02702A | LATCH-M_HUB_CLUTCH_T | 1 | SNA | |
| 55 | JC66-01155B | GEAR-FUSER RDCN OUT V | 1 | SA | |
| 56 | JF68-10532B | LABEL(P)-BAR CODE | 1 | SNA | |
| 57 | JC67-00454A | CAP-PUSH COUPLING | 1 | SNA | |

8. CASSETTE



CASSETTE Parts List

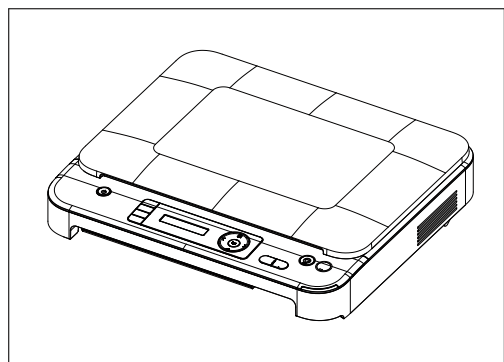
SA : SERVICE AVAILABLE, SNA : SERVICE not AVAILABLE

| Drawer# | SEC_Code | Description | QT'y | Service | Remark |
|---------|-------------|----------------------|------|---------|--------|
| 0 | JC90-00997A | CASSETTE | 1 | SA | |
| 1 | 6107-002738 | SPRING-CS | 2 | SA | |
| 2 | JC61-02327A | FRAME-SEMI CASSETTE | 1 | SNA | |
| 3 | JC61-02484A | STOPPER-ADJUSTER | 1 | SNA | |
| 4 | JC61-03971B | STOPPER-PAPER REAR_T | 1 | SNA | |
| 5 | JC63-00872A | TRAY-M-EXT CASSETTE | 1 | SNA | |
| 6 | JC63-02744A | TRAY-EXTENSION SMALL | 1 | SNA | |
| 7 | JC63-02757A | COVER-CASSETTE_T | 1 | SNA | |
| 8 | JC64-00222A | LOCKER-M-KNOCK UP R | 1 | SA | |

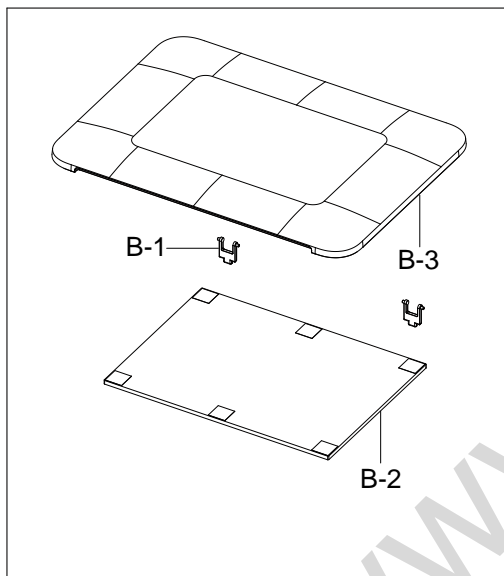
| Drawer# | SEC_Code | Description | QT'y | Service | Remark |
|---------|-------------|-------------------------|------|---------|--------|
| 9 | JC64-00223A | LOCKER-M-KNOCK UP L | 1 | SA | |
| 10 | JC70-00516D | ADJUST-M-CASSETTE R | 1 | SA | |
| 11 | JC70-00517D | ADJUST-M-CASSETTE L | 1 | SA | |
| 12 | JC97-03040A | MEA UNIT-PLATE K_UP | 1 | SA | |
| 13 | JC61-02378A | PLATE-KNOCKUP | 1 | SNA | |
| 14 | JC73-00140A | RPR-FRICTION PAD | 1 | SA | |
| 15 | JC73-00141A | RPR-PAD CASSETTE | 1 | SA | |
| 16 | JG61-70531A | SPRING ETC-LOCKER,PLATE | 2 | SA | |
| 17 | JG66-40003A | GEAR-PINION | 1 | SA | |

www.MK-Electronics.com

9. SCANNER (3 in 1)

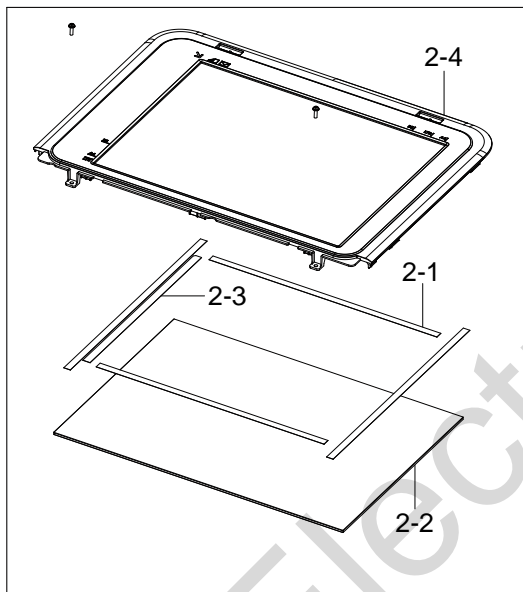


0

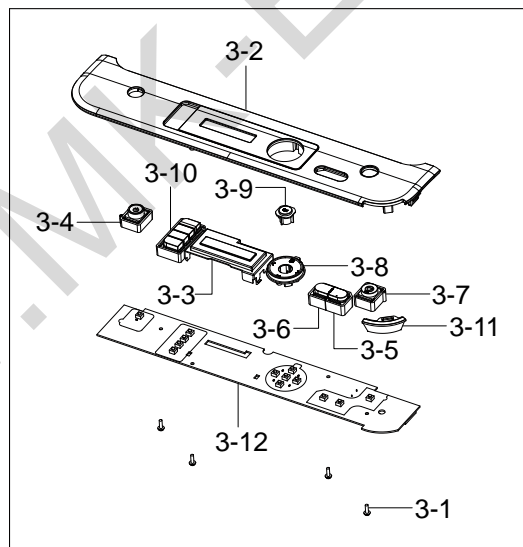


B

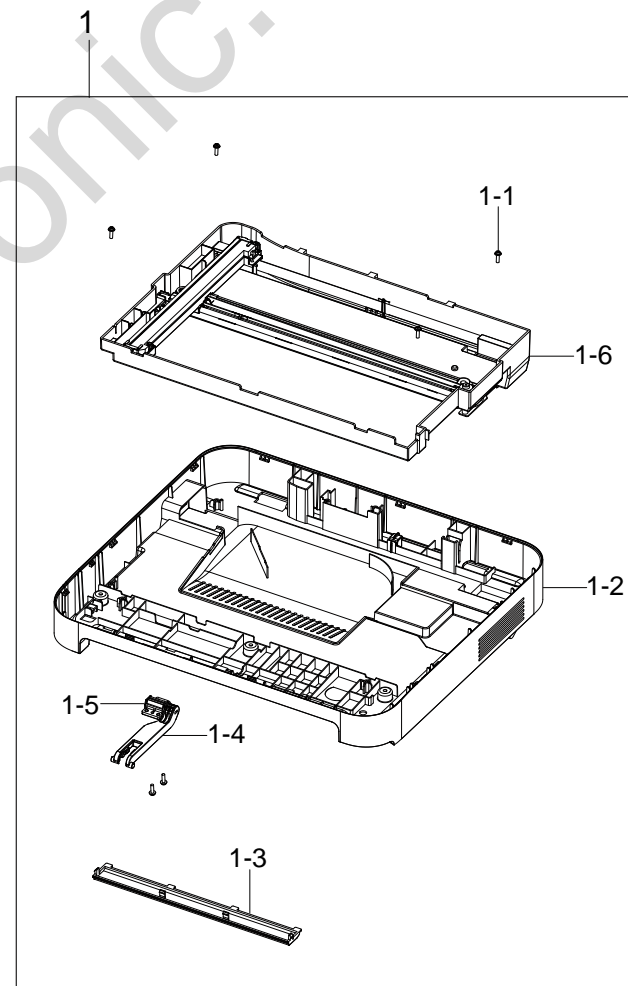
A



2



3



1

SCANNER (3 in 1) Parts List

SA : SERVICE AVAILABLE, SNA : SERVICE not AVAILABLE

| Drawer# | SEC_Code | Description | QT'y | Service | Remark |
|---------|---------------|-----------------------|------|---------|--------------------------|
| 0 | JC97-03788A~S | SCANNER_3 in 1 | 1 | SNA | 3185/3185N 3186/3186N |
| A | JC97-03789A~S | PLATEN | 1 | SA | |
| 1 | JC97-03791A | PLATEN-LOWER | 1 | SA | |
| 1-1 | 6003-000196 | SCREW-TAPTYPE | 6 | SA | |
| 1-2 | JC63-02725A | COVER-SCAN LOWER | 1 | SNA | |
| 1-3 | JC63-02729A | COVER-OPE DECO | 1 | SNA | |
| 1-4 | JC66-01901A | LINK-SCAN | 1 | SNA | |
| 1-5 | JC97-03207A | MEA HOU-LINK | 1 | SA | |
| 1-6 | JC97-03793A | PLATEN-LOW END | 1 | SA | Refer to 10B-2 |
| 2 | JC97-03792A | PLATEN-UPPER | 1 | SA | |
| 2-1 | 0203-001267 | TAPE-DOUBLE FACE | 4 | SNA | |
| 2-2 | JC01-00002A | GLASS-SCAN MONTBLANC | 1 | SNA | |
| 2-3 | JC63-01906A | SHEET-SHADING | 1 | SNA | |
| 2-4 | JC63-02726A | COVER-SCAN UPPER 3IN1 | 1 | SNA | |
| 3 | JC97-03785A~S | OPE | 1 | SA | |

| Drawer# | SEC_Code | Description | QT'y | Service | Remark |
|---------|---------------|--------------------|------|---------|--------|
| 3-1 | 6003-000196 | SCREW-TAPTYPE | 4 | SA | |
| 3-2 | JC63-02728A~S | COVER-OPE 3IN1 | 1 | SNA | |
| 3-3 | JC63-01802A | COVER-LCD | 1 | SNA | |
| 3-4 | JC64-00561A | KEY-POWER | 1 | SNA | |
| 3-5 | JC64-00562A | KEY-START_COLOR | 1 | SNA | |
| 3-6 | JC64-00563A | KEY-START_MONO | 1 | SNA | |
| 3-7 | JC64-00564A | KEY-STOP | 1 | SNA | |
| 3-8 | JC64-00565A | KEY-MENU | 1 | SNA | |
| 3-9 | JC64-00566A | KEY-OK | 1 | SNA | |
| 3-10 | JC64-00567A | KEY-FUNCTION 3IN1 | 1 | SNA | |
| 3-11 | JC64-00568A | KEY-STATUS | 1 | SNA | |
| 3-12 | JC92-02292A | PBA-OPE | 1 | SA | |
| B | JC97-03790A | PLATEN-COVER | 1 | SA | |
| B-1 | JC61-00929B | HINGE-PIVOT | 2 | SNA | |
| B-2 | JC63-00209A | SHEET-WHITE SPONGE | 1 | SNA | |
| B-3 | JC63-02727A | COVER-PLATEN 3IN1 | 1 | SNA | |

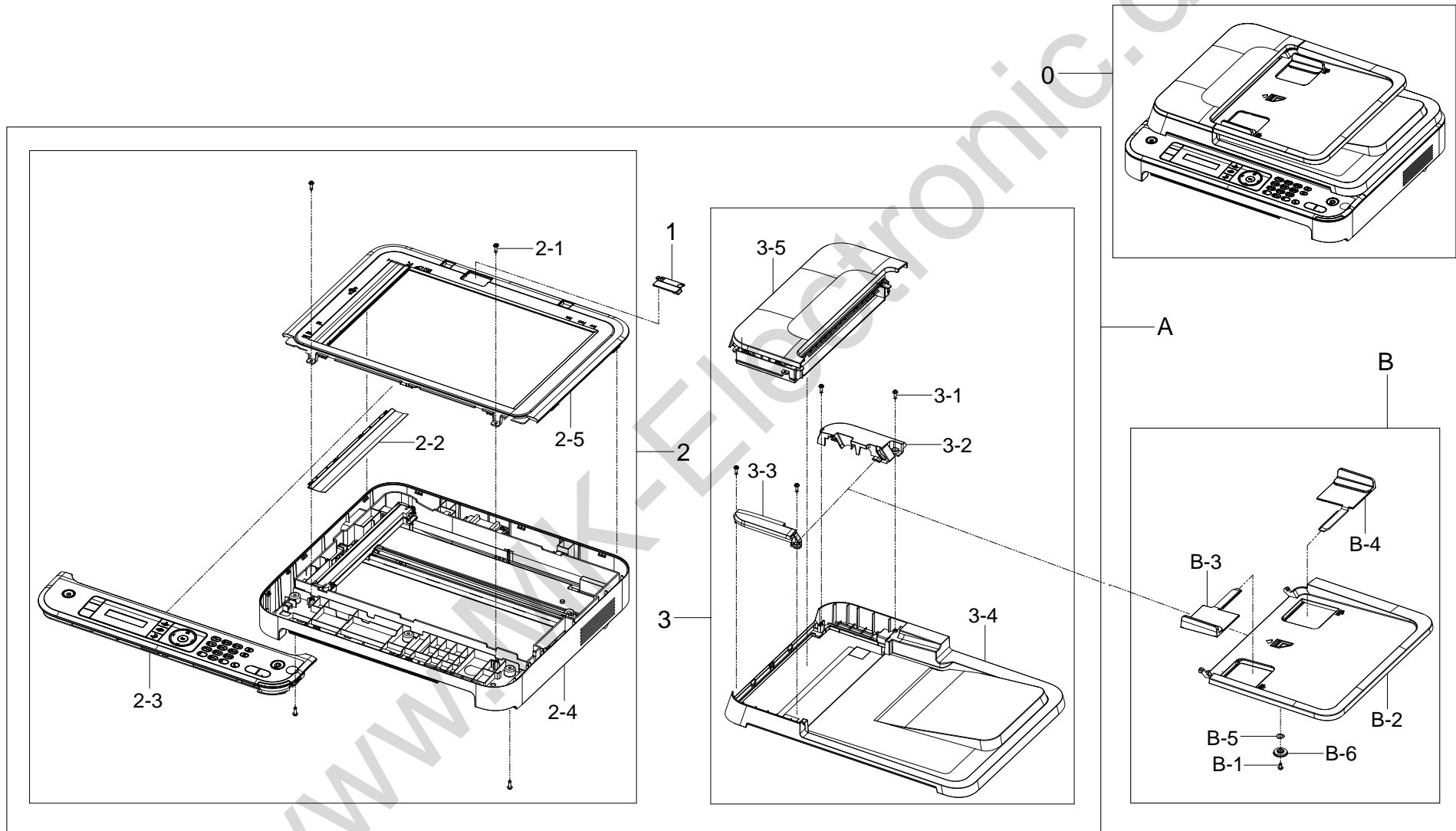
※ national different, parts code add. :

PBA-OPE : JC92-02292B (CLX-3186/X1L)

SCANNER : JC97-03788E (CLX-3186/X1L), JC97-03788B (CLX-3186/X1P)

PLATEN : JC97-03789E (CLX-3186/X1L), JC97-03789B (CLX-3186/X1P)

10. SCANNER (4 in 1)



SCANNER (4 in 1) Parts List

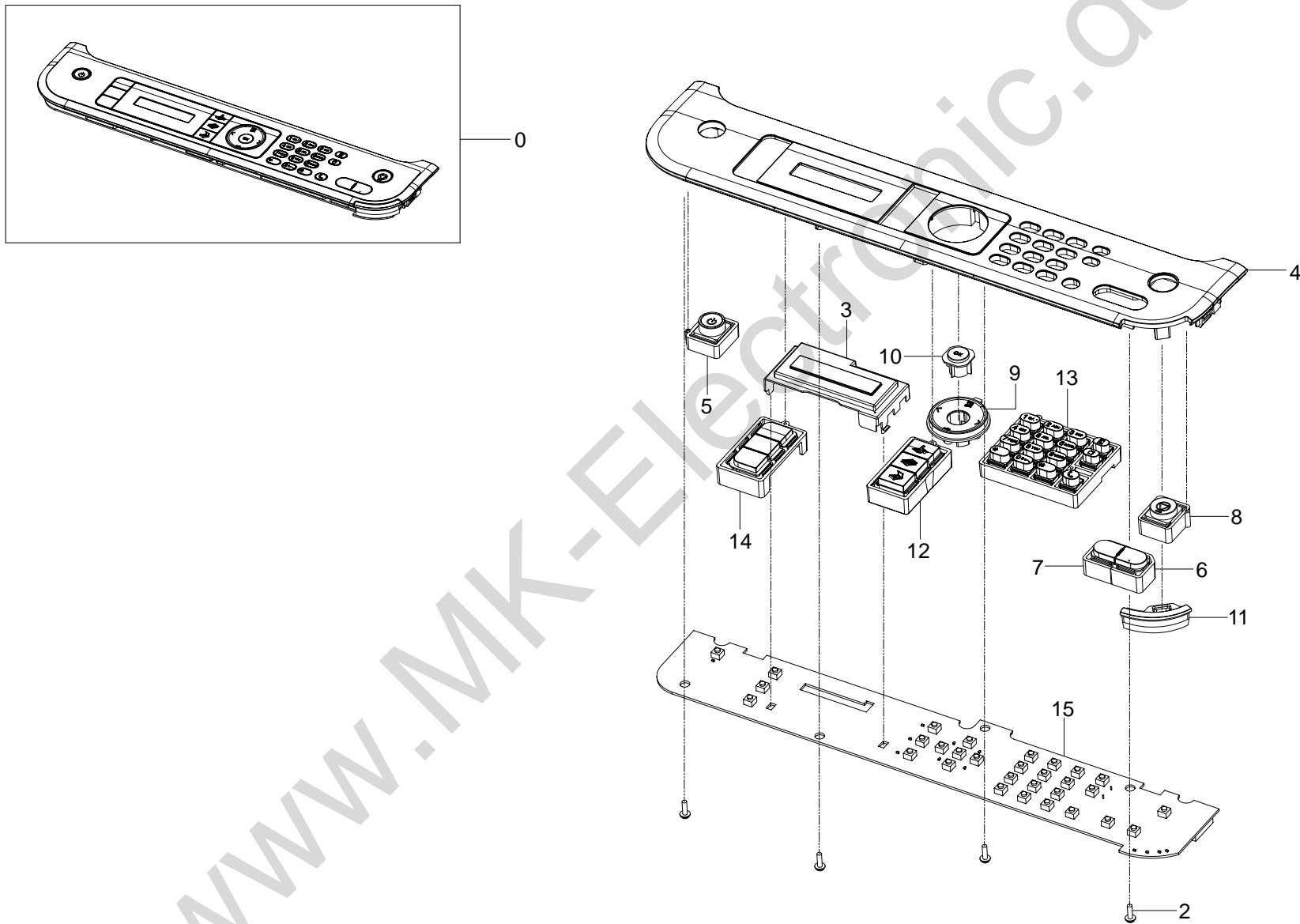
SA : SERVICE AVAILABLE, SNA : SERVICE not AVAILABLE

| Drawer# | SEC_Code | Description | QT'y | Service | Remark |
|---------|---------------|-------------------|------|---------|--------------|
| A | JC97-03798A~P | SCANNER_4 in 1 | 1 | SNA | 3185FN/FW |
| 1 | JC63-02735A | COVER-CONNECTOR | 1 | SNA | |
| 2 | JC97-03794A | PLATEN | 1 | SA | |
| 2-1 | 6003-000196 | SCREW-TAPTYPE | 4 | SA | |
| 2-2 | JC97-03195B | MEA HOU-ADF SHEET | 1 | SNA | |
| 2-3 | JC97-03786A~P | OPE | 1 | SA | Refer to 10A |
| 2-4 | JC97-03795A | PLATEN-LOWER | 1 | SA | Refer to 10B |
| 2-5 | JC97-03796A | PLATEN-UPPER | 1 | SA | |
| 3 | JC97-03799A | ADF | 1 | SA | |
| 3-1 | 6003-000196 | SCREW-TAPTYPE | 4 | SA | |
| 3-2 | JC63-02732A | COVER-UPPER R | 1 | SA | |

| Drawer# | SEC_Code | Description | QT'y | Service | Remark |
|---------|-------------|----------------------|------|---------|--------------|
| 3-3 | JC63-02733A | COVER-UPPER F | 1 | SA | |
| 3-4 | JC97-03797A | PLATEN-COVER | 1 | SA | Refer to 10C |
| 3-5 | JC97-03800A | ADF-MAIN | 1 | SA | Refer to 10D |
| B | JC97-03784A | ADF STACKER | 1 | SA | |
| B-1 | 6003-000264 | SCREW-TAPTYPE | 1 | SNA | |
| B-2 | JC61-03947A | GUIDE-STACKER TX | 1 | SNA | |
| B-3 | JC61-03948A | GUIDE-STACKER TX | 1 | SNA | |
| B-4 | JC61-03949A | GUIDE-DOC R | 1 | SNA | |
| B-5 | JF70-10616A | IPR-WASHER SPRING CU | 1 | SNA | |
| B-6 | JG66-40003A | GEAR-PINION | 1 | SNA | |

www.MK-Electronics.com

10A. OPE (4 in 1)



OPE (4 in 1) Parts List

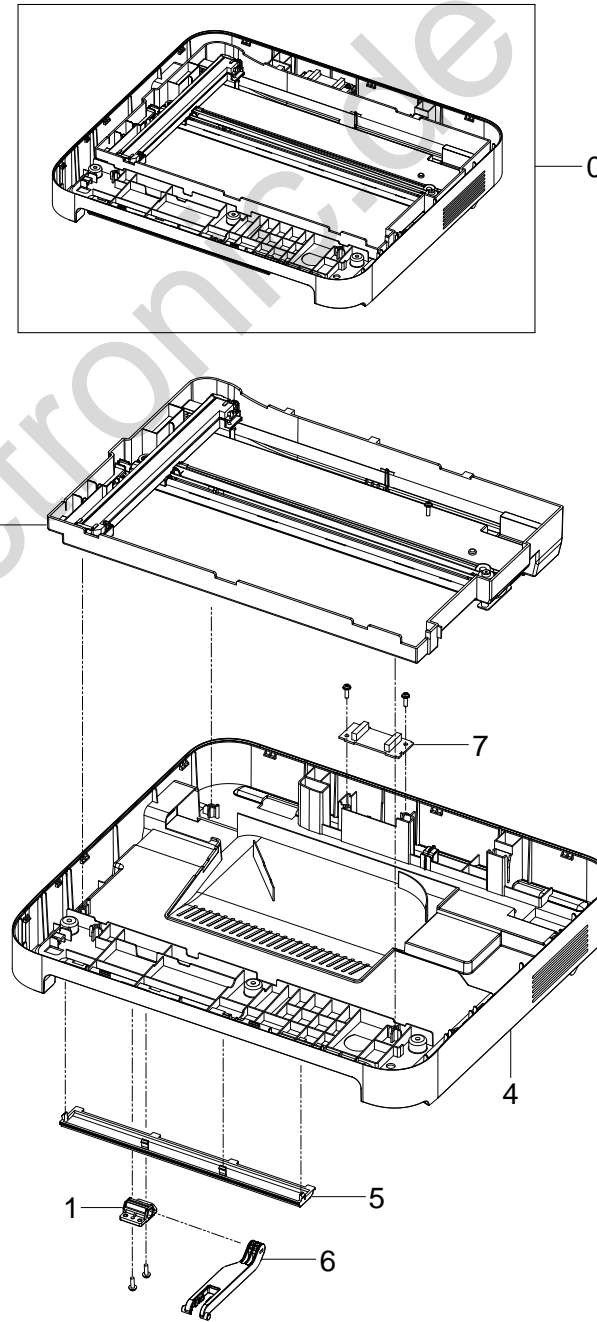
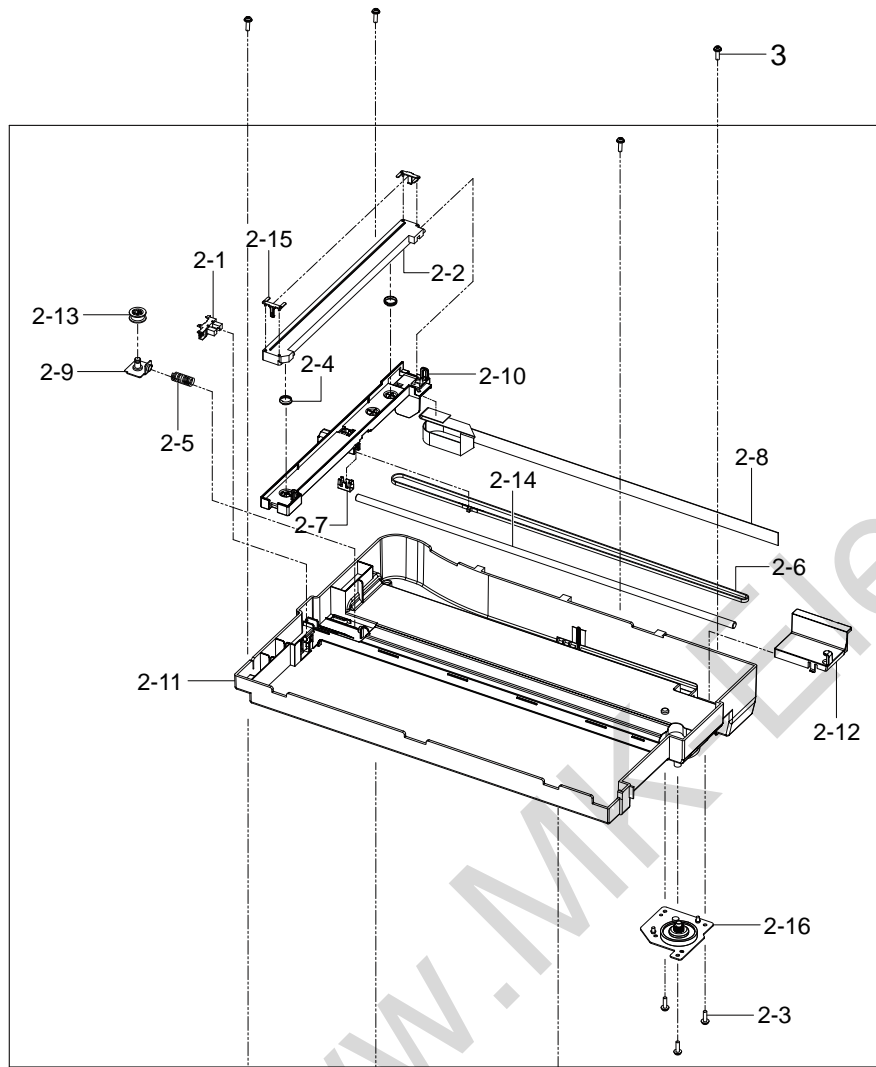
SA : SERVICE AVAILABLE, SNA : SERVICE not AVAILABLE

| Drawer# | SEC_Code | Description | QT'y | Service | Remark |
|---------|---------------|-----------------|------|---------|--------|
| 0 | JC97-03786A~P | OPE | 1 | SA | 4 in 1 |
| 2 | 6003-000196 | SCREW-TAPTYPE | 4 | SA | |
| 3 | JC63-01802A | COVER-LCD | 1 | SNA | |
| 4 | JC63-02734A | COVER-OPE 4IN1 | 1 | SNA | |
| 5 | JC64-00561A | KEY-POWER | 1 | SNA | |
| 6 | JC64-00562A | KEY-START_COLOR | 1 | SNA | |
| 7 | JC64-00563A | KEY-START_MONO | 1 | SNA | |
| 8 | JC64-00563A | KEY-STOP | 1 | SNA | |

| Drawer# | SEC_Code | Description | QT'y | Service | Remark |
|---------|-------------|----------------|------|---------|--------|
| 9 | JC64-00563A | KEY-MENU | 1 | SNA | |
| 10 | JC64-00566A | KEY-OK | 1 | SNA | |
| 11 | JC64-00568A | KEY-STATUS | 1 | SNA | |
| 12 | JC64-00569A | KEY-FAX | 1 | SNA | |
| 13 | JC64-00570A | KEY-TEL | 1 | SNA | |
| 14 | JC64-00571A | KEY-EXTRA 4IN1 | 1 | SNA | |
| 15 | JC92-02289A | PBA-OPE | 1 | SA | |

www.MK-Electronics.com

10B. PLATEN LOWER



PLATEN LOWER Parts List

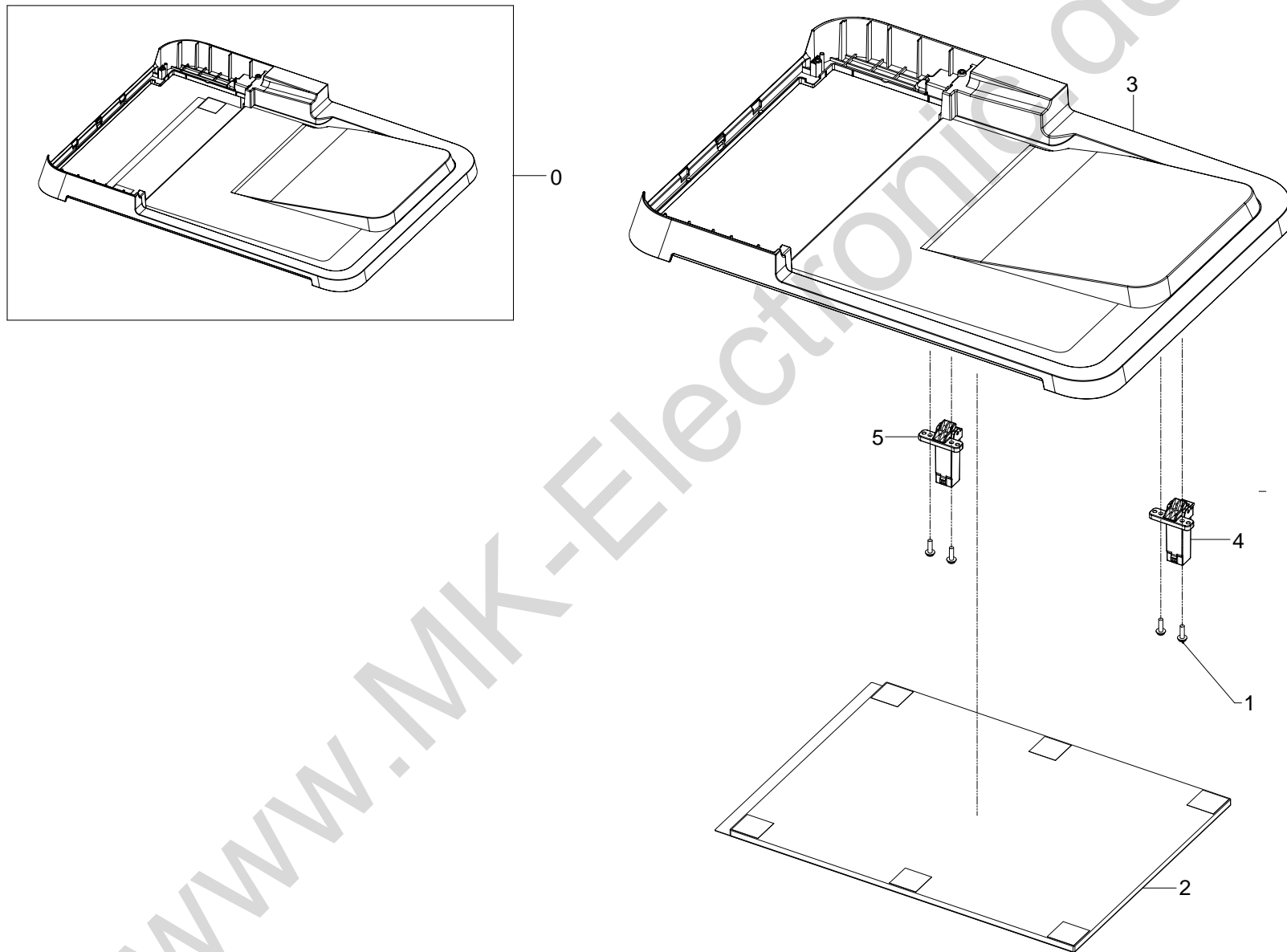
SA : SERVICE AVAILABLE, SNA : SERVICE not AVAILABLE

| Drawer# | SEC_Code | Description | QT'y | Service | Remark |
|---------|-------------|----------------------|------|---------|--------|
| 0 | JC97-03795A | PLATEN-LOWER | 1 | SA | |
| 1 | JC97-03207A | MEA HOU-LINK | 1 | SA | |
| 2 | JC97-03793A | PLATEN-LOW END | 1 | SA | |
| 2-1 | 0604-001415 | PHOTO-INTERRUPTER | 1 | SA | |
| 2-2 | 0609-001359 | CONTACT IMAGE SENSOR | 1 | SA | |
| 2-3 | 6003-000196 | SCREW-TAPTYPE | 3 | SA | |
| 2-4 | 6107-001137 | SPRING-CS | 2 | SNA | |
| 2-5 | 6107-001194 | SPRING-CS | 1 | SNA | |
| 2-6 | 6602-001637 | BELT-TIMING GEAR | 1 | SA | |
| 2-7 | JB61-00232A | CLIP-P-BELT | 1 | SNA | |
| 2-8 | JC39-00925A | FLAT CABLE | 1 | SA | |
| 2-9 | JC61-00931A | BRACKET-P-PULLEY | 1 | SNA | |

| Drawer# | SEC_Code | Description | QT'y | Service | Remark |
|---------|-------------|---------------------|------|---------|--------|
| 2-10 | JC61-02506A | BRACKET-CIS | 1 | SNA | |
| 2-11 | JC61-02517B | FRAME-SCAN LOWER | 1 | SNA | |
| 2-12 | JC63-01803B | COVER-FFC | 1 | SNA | |
| 2-13 | JC66-00713A | PULLEY-M_IDLE | 1 | SNA | |
| 2-14 | JC66-01448A | SHAFT-CIS | 1 | SA | |
| 2-15 | JC66-01580A | SLIDER-CIS | 2 | SA | |
| 2-16 | JC96-05013A | ELA UNIT-SCAN DRIVE | 1 | SA | |
| 3 | 6003-000196 | SCREW-TAPTYPE | 8 | SA | |
| 4 | JC63-02725A | COVER-SCAN LOWER | 1 | SA | |
| 5 | JC63-02729A | COVER-OPE DECO | 1 | SA | |
| 6 | JC66-01901A | LINK-SCAN | 1 | SA | |
| 7 | JC92-02021A | PBA SUB-CONNECTOR | 1 | SA | |

WWW.MK-ELECTRONICS.COM

10C. PLATEN-COVER (4 in 1)



PLATEN-COVER (4 in 1) Parts List

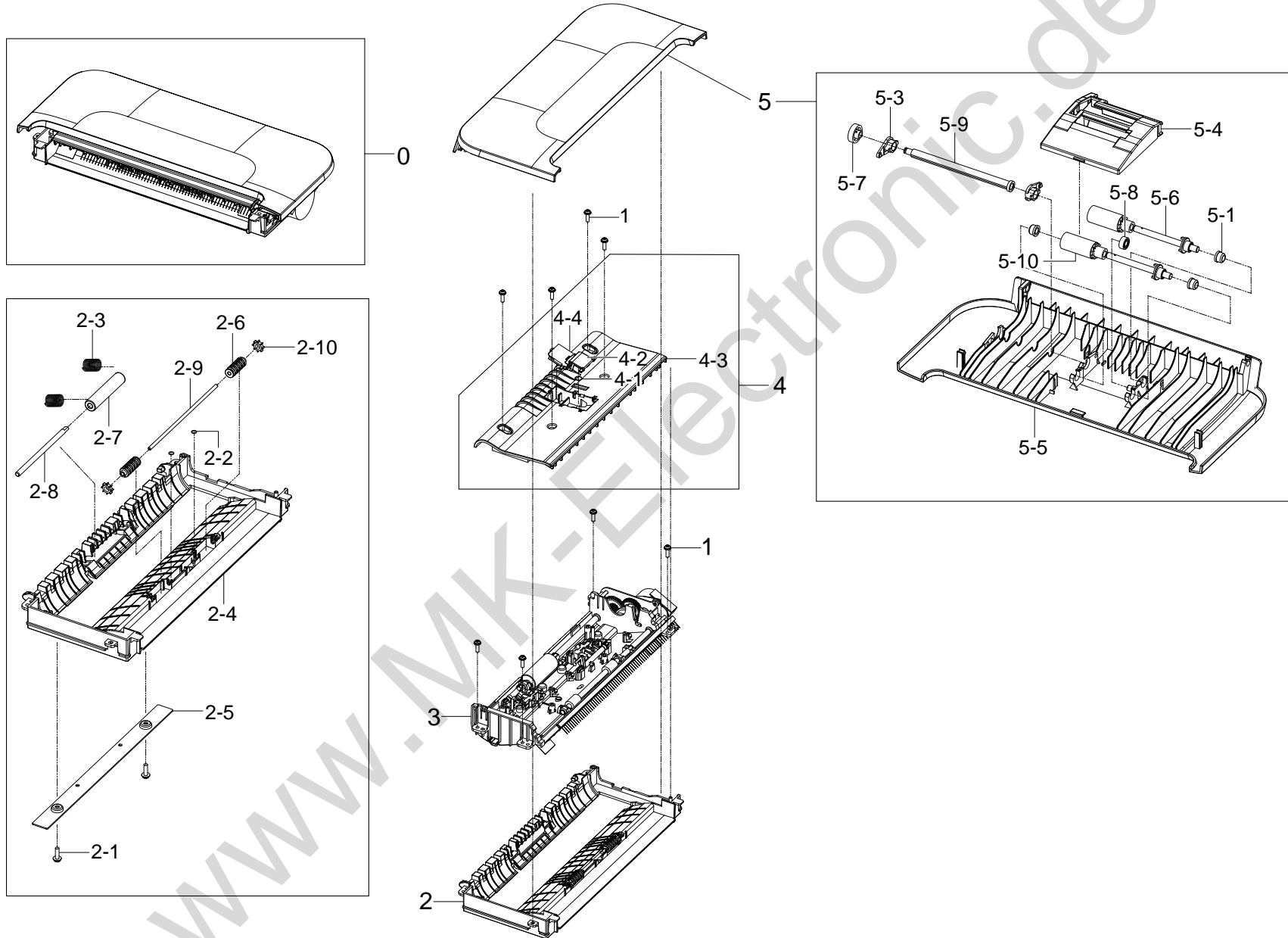
SA : SERVICE AVAILABLE, SNA : SERVICE not AVAILABLE

| Drawer# | SEC_Code | Description | QT'y | Service | Remark |
|---------|-------------|--------------------|------|---------|--------|
| 0 | JC97-03797A | PLATEN-COVER | 1 | SA | |
| 1 | 6003-000196 | SCREW-TAPTYPE | 4 | SA | |
| 2 | JC63-01786A | SHEET-WHITE SPONGE | 1 | SNA | |

| Drawer# | SEC_Code | Description | QT'y | Service | Remark |
|---------|-------------|-------------------|------|---------|--------|
| 3 | JC63-02731A | COVER-PLATEN 4IN1 | 1 | SNA | |
| 4 | JC97-03190A | MEA UNIT-HINGE R | 1 | SA | |
| 5 | JC97-03191A | MEA UNIT-HINGE L | 1 | SA | |

www.MK-Electronic.com

10D. ADF-MAIN (4 in 1)



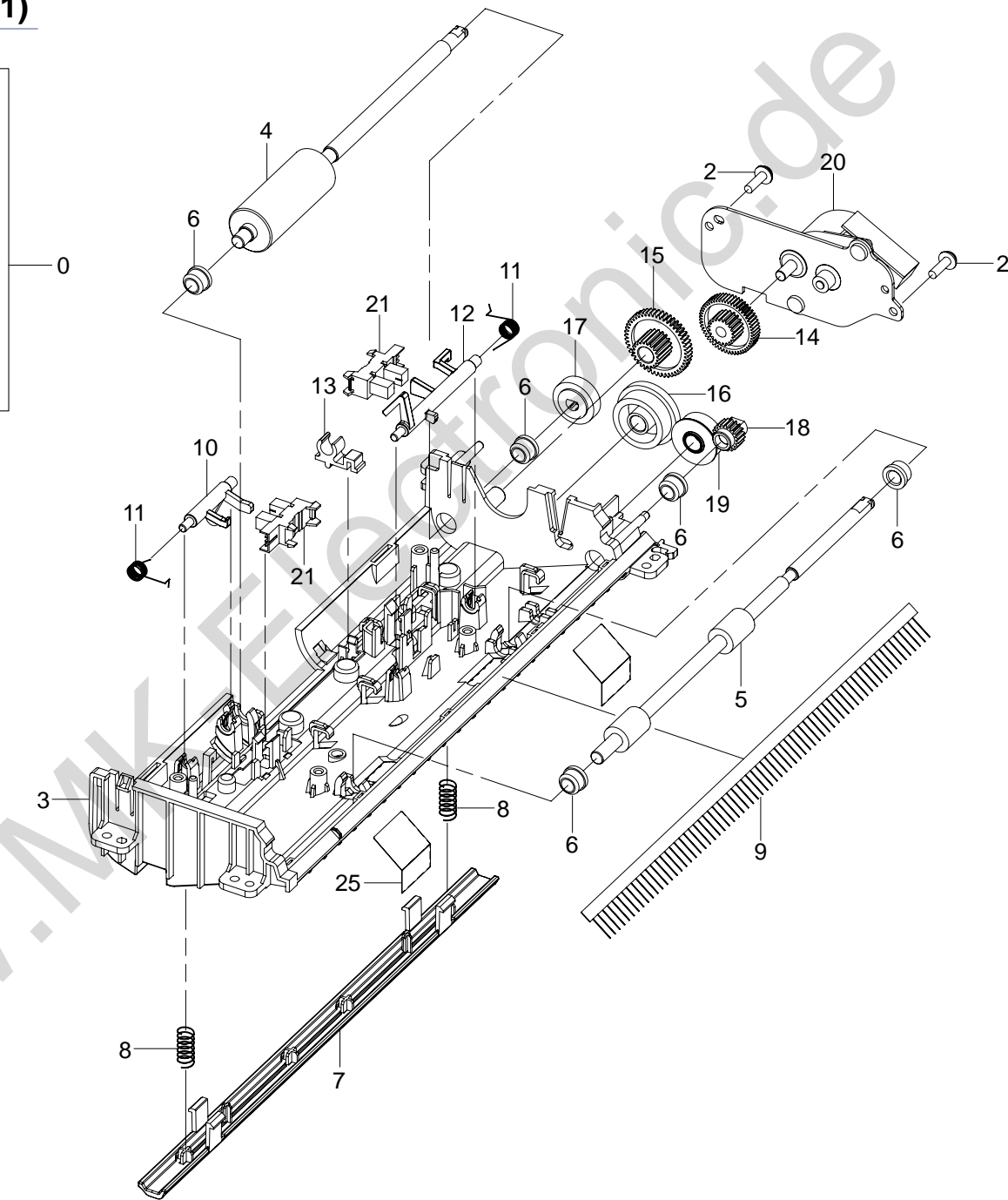
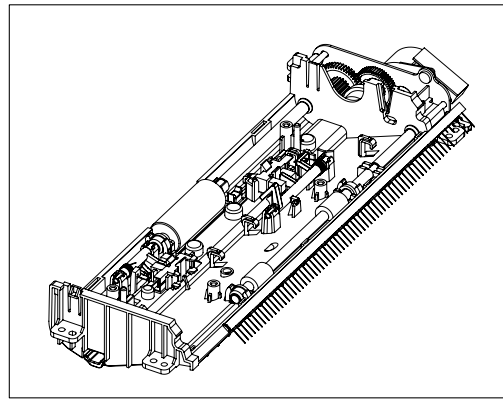
ADF-MAIN (4 in 1) Parts List

SA : SERVICE AVAILABLE, SNA : SERVICE not AVAILABLE

| Drawer# | SEC_Code | Description | QT'y | Service | Remark |
|---------|-------------|----------------------|------|---------|--------------|
| 0 | JC97-03800A | ADF-MAIN | 1 | SA | |
| 1 | 6003-000196 | SCREW-TAPTYPE | 8 | SA | |
| 2 | JC97-03205B | MEA UNIT-PATH PLATEN | 1 | SA | |
| 2-1 | 6003-000196 | SCREW-TAPTYPE | 2 | SA | |
| 2-2 | 6107-001405 | SPRING-CS | 2 | SNA | |
| 2-3 | JC61-00011A | SPRING ETC-FEED | 2 | SA | |
| 2-4 | JC61-02516B | FRAME-GUIDE PATH | 1 | SNA | |
| 2-5 | JC61-02519A | BRACKET-PATH LOWER | 1 | SNA | |
| 2-6 | JC66-01902A | ROLLER-IDLE EXIT | 2 | SA | |
| 2-7 | JC66-01903A | ROLLER-IDLE SCAN | 1 | SA | |
| 2-8 | JC66-01930A | SHAFT-IDEL SCAN | 1 | SNA | |
| 2-9 | JC66-01931A | SHAFT-IDEL EXIT | 1 | SNA | |
| 2-10 | JC73-00273A | RUBBER-IDLE EXIT | 2 | SA | |
| 3 | JC96-05006B | ELA UNIT-PATH LOWER | 1 | SA | Refer to 10E |
| 4 | JC97-03189B | MEA UNIT-UPPER | 1 | SA | |

| Drawer# | SEC_Code | Description | QT'y | Service | Remark |
|---------|-------------|-------------------------|------|---------|--------|
| 4-1 | 6107-001398 | SPRING-CS | 1 | SA | |
| 4-2 | JC61-02504B | SUPPORT-PICK UP | 1 | SNA | |
| 4-3 | JC63-01774B | COVER-UPPER | 1 | SNA | |
| 4-4 | JC97-03188B | MEA UNIT-PAD | 1 | SA | |
| 5 | JC97-03801A | ADF OPEN | 1 | SA | |
| 5-1 | JB72-00819A | PMO-BUSH | 3 | SNA | |
| 5-3 | JC61-02260A | HOLDER-SHAFT | 2 | SNA | |
| 5-4 | JC63-01766A | COVER-PICK-UP | 1 | SNA | |
| 5-5 | JC63-02730A | COVER-OPEN | 1 | SNA | |
| 5-6 | JC66-01910A | ROLLER-SHAFT ADFDRIVE | 1 | SNA | |
| 5-7 | JC66-01917A | GEAR-PICK UP DRV | 1 | SA | |
| 5-8 | JC66-01918A | GEAR-IDLE PICK UP | 1 | SA | |
| 5-9 | JC66-01919A | SHAFT-ADF | 1 | SNA | |
| 5-10 | JC97-03186A | MEA UNIT-PICK UP ROLLER | 2 | SA | |

10E. ELA UNIT-PATH LOWER (4 in 1)



ELA UNIT-PATH LOWER (4 in 1) Parts List

SA : SERVICE AVAILABLE, SNA : SERVICE not AVAILABLE

| Drawer# | SEC_Code | Description | QT'y | Service | Remark |
|---------|-------------|--------------------------------|------|---------|--------|
| 0 | JC96-05006B | ELA UNIT-PATH LOWER | 1 | SA | |
| 2 | 6003-000196 | SCREW-TAPTITE | 2 | SA | |
| 3 | JC61-02471B | GUIDE-PATH LOWER | 1 | SNA | |
| 4 | JC66-01904A | ROLLER-SCAN | 1 | SNA | |
| 5 | JC66-01909A | ROLLER-EXIT | 1 | SNA | |
| 6 | JB72-00819A | PMO-BUSH | 5 | SA | |
| 7 | JC61-02524A | GUIDE-WHITEBAR | 1 | SNA | |
| 8 | 6107-001135 | SPRING-CS | 2 | SA | |
| 9 | JC75-00095A | MEC-BRUSH ANTISTATIC | 1 | SA | |
| 10 | JC66-01891A | ACTUATOR-SCAN | 1 | SNA | |
| 11 | JB61-00076A | SPRING ETC-TORSION DOC (CC2-F) | 2 | SA | |

| Drawer# | SEC_Code | Description | QT'y | Service | Remark |
|---------|-------------|-------------------|------|---------|--------|
| 12 | JC66-01890A | ACTUATOR-PICK UP | 1 | SNA | |
| 13 | JC61-02507A | BUSH-SCAN | 1 | SNA | |
| 14 | JC66-01911A | GEAR-53_20 | 1 | SA | |
| 15 | JC66-01912A | GEAR-49_20 | 1 | SA | |
| 16 | JC66-01913A | GEAR-47_25 | 1 | SA | |
| 17 | JC66-01914A | GEAR-DRV SCAN | 1 | SA | |
| 18 | JC66-01915A | GEAR-DRV EXIT | 1 | SA | |
| 19 | JC66-01916A | GEAR-IDLE EXIT | 1 | SA | |
| 20 | JC96-05005A | ELA HOU-ADF MOTOR | 1 | SA | |
| 21 | 0604-001095 | PHOTO-INTERRUPTER | 2 | SA | |
| 25 | JC63-02022A | SHEET-ADF STACKER | 2 | SNA | |

www.MK-Electronics.com