

5. ExplodedView and Parts

Contents

Thumbnail	5-2	5.10 Scan Upper Unit	5-22
5.1 Main	5-3	5.11 Scan Unit(3 in 1).....	5-24
5.2 Cover Middle	5-6	5.12 Frame1.....	5-26
5.3 Cover Rear	5-8	5.13 Frame2.....	5-28
5.4 Cover Front	5-10	5.14 Main Drive1	5-30
5.5 Scan Unit(4 in 1)	5-12	5.15 Main Drive2	5-33
5.6 Standard ADF	5-14	5.16 Fuser Unit	5-35
5.7 Path Lower Unit	5-16	5.17 Cartridge Transfer Unit	5-38
5.8 Scan Lower Unit	5-18	5.18 Tank Waste Unit	5-41
5.9 OPE Unit	5-20	5.19 Cassette	5-43

Samsung Color Laser MFP

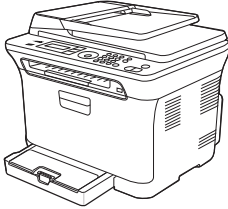
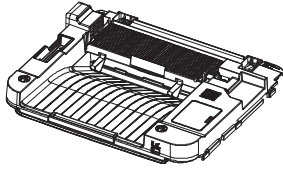
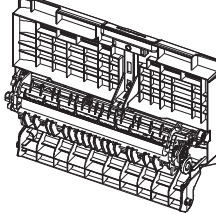
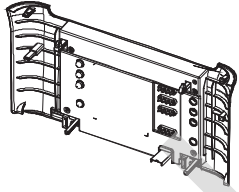
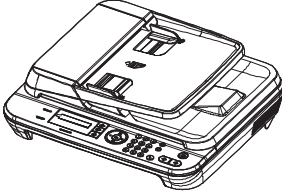
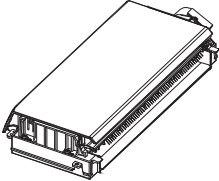
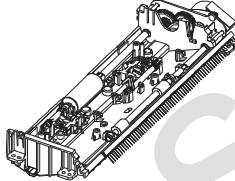
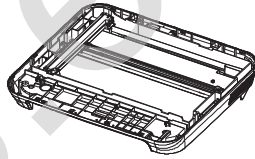
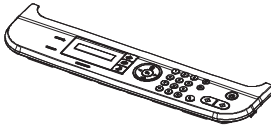

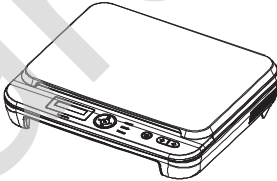
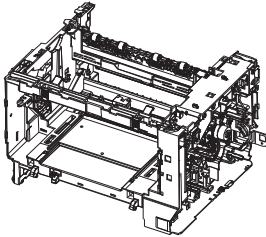
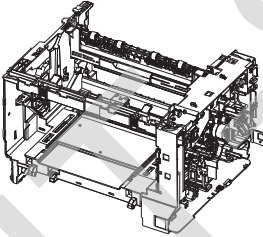
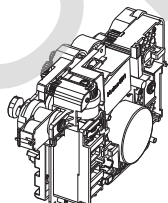
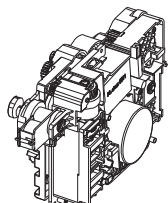
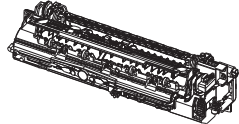
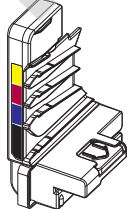
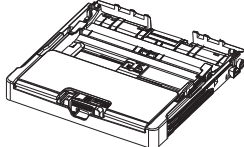


The keynote of Product

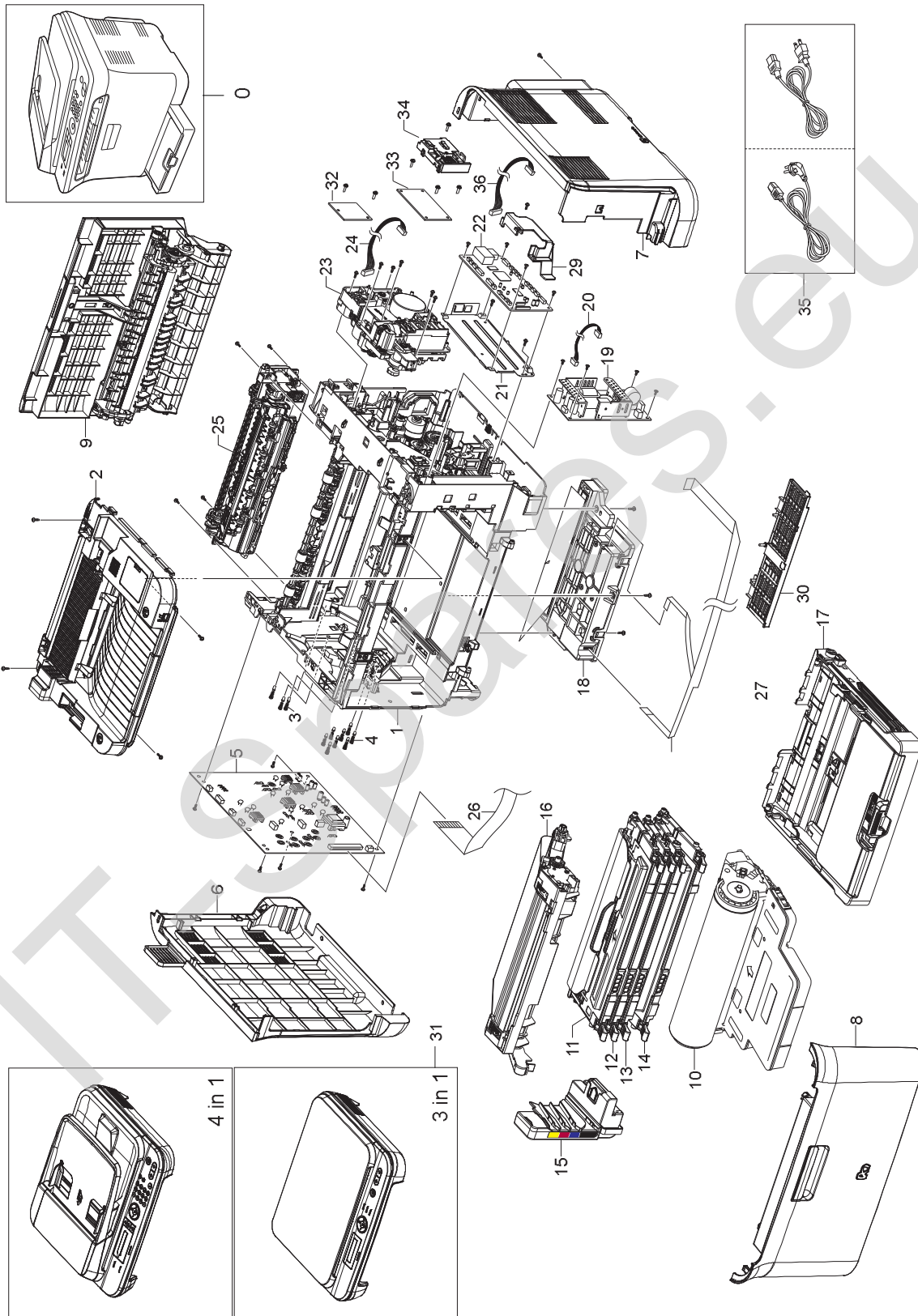
The smallest / The lowest noise High Quality Multi-path Color MFP

- Model : CLX-317x series
- Speed
 - . Mono : Up to 16 ppm in A4 (17 ppm in Letter)
 - . Color : Up to 4 ppm in A4 (4 ppm in Letter)
- Printing Resolution
 - . Max. 2400x600 dpi effective output
- Processor
 - . CHORUS3 (360Mhz), Proprietary SOC
 - Emulations : SPL-Color
- Memory : DDR2 SDRAM 128 MB
- Interfaces
 - . USB Device 2.0
 - . One 10/100Base Tx network connector
 - . Wireless N/W (317xFW)
- Toner cartridge
 - . Black : 1K (initial) / 1.5K (sales)
 - . Color : 0.7K (initial) / 1K (sales)
- 150 Cassette, ADF
- Printer Life : 100K pages

Thumbnail

			
5.1 Main	5.2 Cover Middle	5.3 Cover Rear	5.4 Cover Front
			
5.5 Scan Unit(4 in 1)	5.6 Standard ADF	5.7 Path Lower Unit	5.8 Scan Lower Unit
			
5.9 OPE Unit	5.10 Scan Upper Unit	5.11 Scan Unit(3 in 1)	5.12 Frame1
			
5.13 Frame2	5.14 Main Drive1	5.15 Main Drive2	5.16 Fuser Unit
			
5.17 Tank Waste Unit	5.18 Cassette		

5.1 Main



Main Parts List

SA : SERVICE AVAILABLE, SNA : SERVICE not AVAILABLE

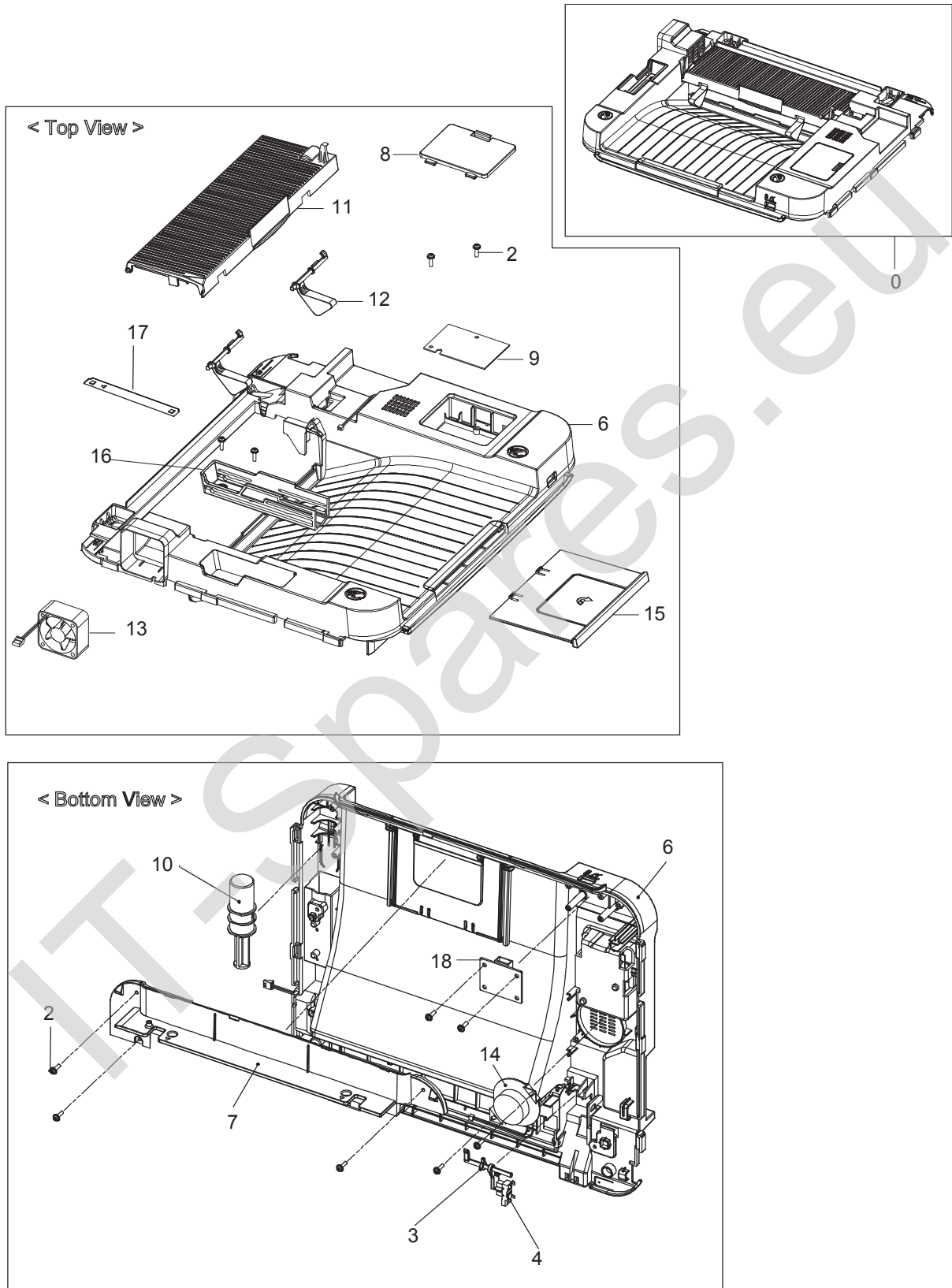
Drawer#	SEC_code	Description	QT'y	Service	Grade	Remark
5.1-0	CLX-3170FW	A4 Color Laser MFP, Fax, Scan,Copy,Print				Gray color
5.1-0	CLX-3175FW	A4 Color Laser MFP, Fax, Scan,Copy,Print				Black color
5.1-0	CLX-3170FN	A4 Color Laser MFP, Fax, Scan,Copy,Print				Gray color
5.1-0	CLX-3175FN	A4 Color Laser MFP, Fax, Scan,Copy,Print				Black color
5.1-0	CLX-3170N	A4 Color Laser MFP, Scan,Copy,Print				Gray color
5.1-0	CLX-3175N	A4 Color Laser MFP, Scan,Copy,Print				Black color
5.1-0	CLX-3170	A4 Color Laser MFP, Scan,Copy,Print				Gray color
5.1-0	CLX-3175	A4 Color Laser MFP, Scan,Copy,Print				Black color
5.1-1	JC97-03198A	MEA UNIT-FRAME	1	SA	B	
5.1-1	JC97-03198B	MEA UNIT-FRAME	1	SA	B	
5.1-1	JC97-03198C	MEA UNIT-FRAME	1	SA	B	3 in 1
5.1-2	JC97-03176A	MEA UNIT-COVER MIDDLE,Gray	1	SA	B	4 in 1
5.1-2	JC97-03176B	MEA UNIT-COVER MIDDLE,Black	1	SA	B	4 in 1
5.1-2	JC97-03176C	MEA UNIT-COVER MIDDLE,Black	1	SA	B	3 in 1
5.1-2	JC97-03176D	MEA UNIT-COVER MIDDLE,Black	1	SA	B	CLX-3175FW
5.1-3	JC96-01673A	ELA UNIT-TERMINAL TR S	2	SA	A	
5.1-4	JC97-01771A	MEA UNIT-TERMINAL S	9	SA	A	
5.1-5	JC44-00164A	HVPS	1	SA	A	
5.1.6	JC97-03177A	MEA UNIT-COVER LEFT,Gray	1	SA	B	
5.1.6	JC97-03177B	MEA UNIT-COVER LEFT,Black	1	SA	B	
5.1-7	JC63-01771A	COVER-RIGHT,Gray	1	SA	E	
5.1-7	JC63-01771B	COVER-RIGHT,Black	1	SA	E	
5.1-7	JC63-01771C	COVER-RIGHT,Black	1	SA	E	CLX-3175N (3 in 1)
5.1-7	JC63-01771D	COVER-RIGHT,Black	1	SA	E	CLX-3175 (3 in 1)
5.1-8	JC97-03179A	MEA UNIT-COVER FRONT,Gray	1	SA	B	
5.1-8	JC97-03179B	MEA UNIT-COVER FRONT,Black	1	SA	B	
5.1-9	JC97-03178A	MEA UNIT-COVER REAR,Gray	1	SA	B	
5.1-9	JC97-03178B	MEA UNIT-COVER REAR,Black	1	SA	B	
5.1-10	JC96-04837E	CARTRIDGE-DRUM	1	SNA	B	
5.1-11	JC96-04752A	CARTRIDGE-TONER Y	1	SNA	A	
5.1-12	JC96-04753A	CARTRIDGE-TONER M	1	SNA	A	
5.1-13	JC96-04754A	CARTRIDGE-TONER C	1	SNA	A	
5.1-14	JC96-04755A	CARTRIDGE-TONER K	1	SNA	A	
5.1-15	JC97-03021A	MEA UNIT-TANK WASTE	1	SA	B	
5.1-16	JC96-04840C	CARTRIDGE-TRANSFER	1	SA	B	
5.1-17	JC97-03036A	MEA UNIT-CASSETTE,Black	1	SA	B	
5.1-17	JC97-03036B	MEA UNIT-CASSETTE, Gray	1	SA	B	
5.1-18	JC96-04826A	ELA UNIT-LSU	1	SA	A	

Main Parts List

SA : SERVICE AVAILABLE, SNA : SERVICE not AVAILABLE

Drawer#	SEC_code	Description	QT'y	Service	Grade	Remark
5.1-19	JC44-00095B	SMPS-V1	1	SA	A	110V
5.1-19	JC44-00096B	SMPS-V2C	1	SA	A	220V
5.1-20	JC39-00894A	HARNESS-SMPS	1	SNA	A	
5.1-21	JC63-01785A	SHIELD-MAIN LOWER	1	SNA	A	
5.1-22	JC92-02022A	PBA-MAIN	1	SA	A	
5.1-22	JC92-02046A	PBA-MAIN	1	SA	A	Only CLX-317xFW
5.1-23	JC96-04750B	ELA UNIT-DRIVE MAIN	1	SA	B	
5.1-24	JC39-00899A	HARNESS-BLDC	1	SNA	A	
5.1-25	JC96-04780A	ELA UNIT-FUSER	1	SA	B	220V
5.1-25	JC96-04781A	ELA UNIT-FUSER	1	SA	B	110V
5.1-26	JC39-00866A	FLAT CABLE	1	SNA	B	
5.1-27	JC39-00867A	FLAT CABLE	1	SNA	B	
5.1-29	JC61-02368A	HOUSING-HARNESS	1	SNA	A	
5.1-30	JC63-01575A	COVER-HARNESS	1	SNA	A	
5.1-31	JC96-05263A	ELA HOU-SCAN	1	SA	A	3 in 1
5.1-31	JC96-05009S	ELA HOU-SCAN	1	SA	A	4 in 1
5.1-32	JC92-02020A	PBA SUB-ADF	1	SA	B	
5.1-33	JC92-02060A	PBA-FAX CARD	1	SA	B	
5.1-34	JC63-01793A	COVER-HARNESS	1	SNA	B	
5.1-35	3903-000085	CBF-POWER CORD	1	SA	A	110V
5.1-35	3903-000042	CBF-POWER CORD	1	SA	A	220V
5.1-36	JC39-00965A	HARNESS-WRAN	1	SA	B	Only CLX-317xFW

5.2 Cover Middle

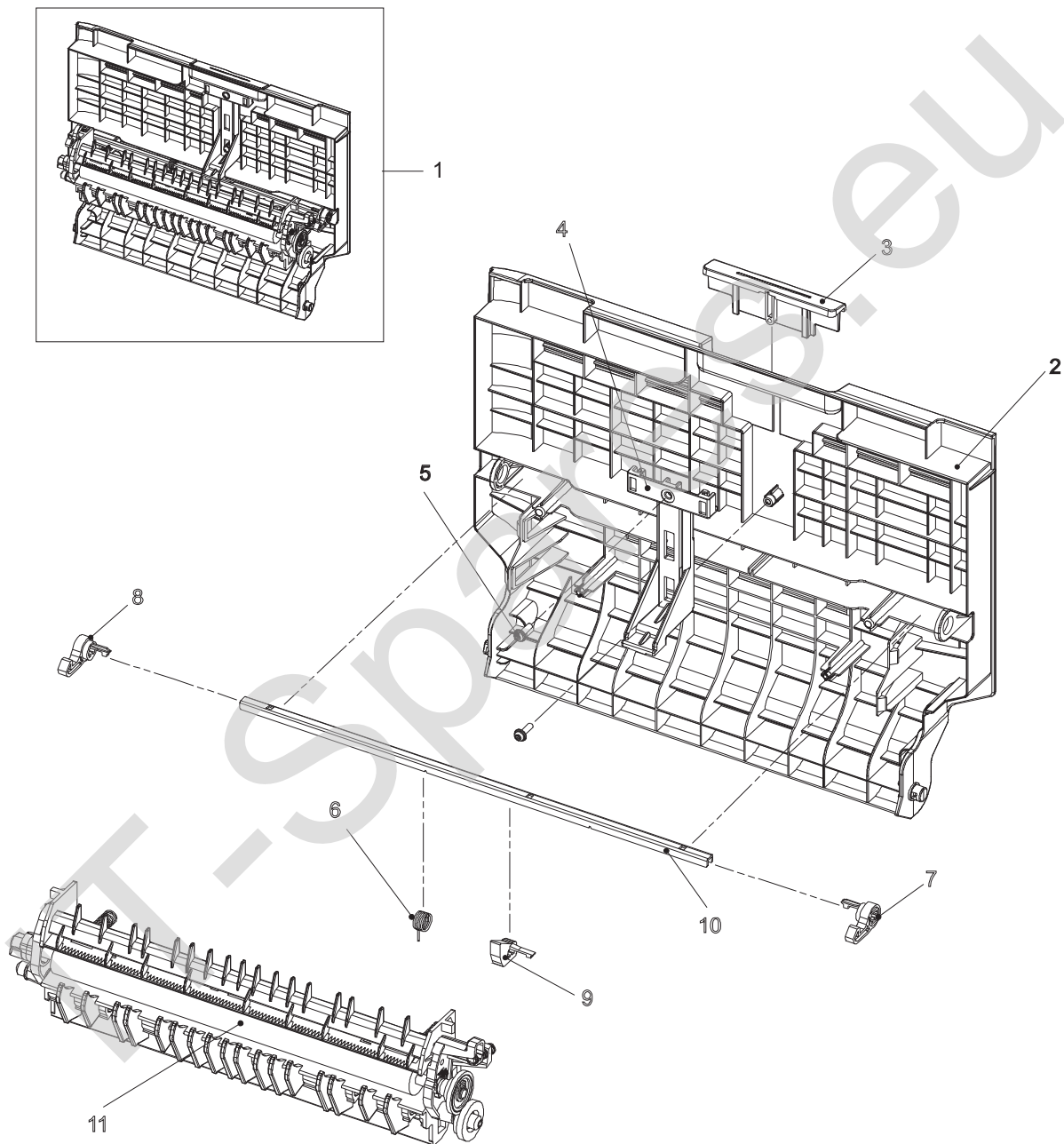


Cover Middle Parts List

SA : SERVICE AVAILABLE, SNA : SERVICE not AVAILABLE

Drawer#	SEC_code	Description	QT'y	Service	Grade	Remark
5.2-1	JC97-03176A	MEA UNIT-COVER MIDDLE,Gray	1	SA	B	4 in 1
5.2-1	JC97-03176B	MEA UNIT-COVER MIDDLE,Black	1	SA	B	4 in 1
5.2-1	JC97-03176C	MEA UNIT-COVER MIDDLE,Black	1	SA	B	3 in 1
5.2-1	JC97-03176D	MEA UNIT-COVER MIDDLE,Black	1	SA	B	CLX-3175FW
5.2-2	6003-000196	SCREW-TAPTITE	9	SA	B	
5.2-3	JC66-01427A	ACTUATOR-OUTFULL	1	SNA	A	
5.2-4	0604-001095	PHOTO-INTERRUPTER	1	SA	A	
5.2-5	JC39-00857A	HARNESS-BIN FULL	1	SNA	D	
5.2-6	JC63-01765A	COVER-MIDDLE,Gray	1	SNA	B	
5.2-6	JC63-01765B	COVER-MIDDLE,Black	1	SNA	B	
5.2-7	JC63-01790A	COVER-DUMMY TOP,Gray	1	SNA	B	
5.2-7	JC63-01790B	COVER-DUMMY TOP,Black	1	SNA	B	
5.2-8	JC63-01667B	COVER-WLAN	1	SNA	B	
5.2-8	JC63-01667C	COVER-WLAN	1	SNA	B	
5.2-9	JC61-02255B	PBA-SUB WLAN	1	SA	B	Only CLX-317xFW
5.2-10	JC66-01932A	DAMPER-OPEN	1	SNA	B	
5.2-11	JC63-01342D	COVER-JAM,Gray	1	SNA	B	
5.2-11	JC63-01342E	COVER-JAM,Black	1	SNA	B	
5.2-12	JC66-01426A	ACTUATOR-STACKER	2	SNA	B	
5.2-13	JC31-00111A	FAN	1	SA	A	
5.2-14	3001-002262	SPEAKER	1	SA	B	4 in 1
5.2-15	JC97-03180A	MEA-HOU TRAY,Gray	1	SA	A	
5.2-15	JC97-03180B	MEA-HOU TRAY,Black	1	SA	A	
5.2-16	JC66-01926A	LINK-LOWER,Gray	1	SNA	B	
5.2-16	JC66-01926B	LINK-LOWER,Black	1	SNA	B	
5.2-17	JC63-02063A	SHEET-STACKER	1	SNA	B	
5.2-18	JC92-02048A	PBA-USB HOST	1	SA	A	

5.3 Cover Rear

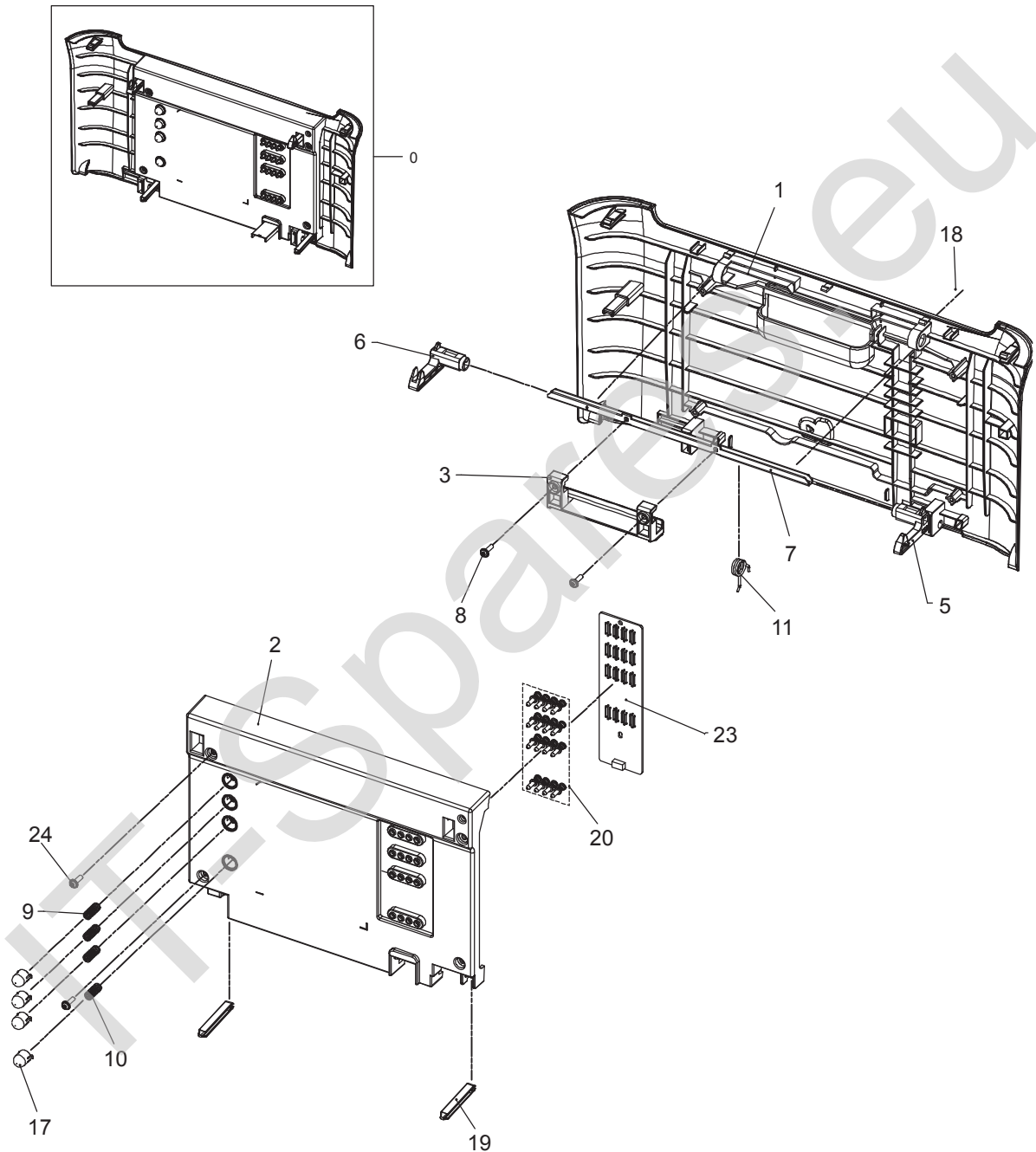


Cover Rear Parts List

SA : SERVICE AVAILABLE, SNA : SERVICE not AVAILABLE

Drawer#	SEC_code	Description	QT'y	Service	Grade	Remark
5.3-1	JC97-03178A	MEA UNIT-COVER REAR,Gray	1	SA	B	
5.3-1	JC97-03178B	MEA UNIT-COVER REAR,Black	1	SA	B	
5.3-2	JC63-01770A	COVER-REAR, Gray	1	SNA	B	
5.3-2	JC63-01770B	COVER-REAR,Black	1	SNA	B	
5.3-3	JC64-00352B	BUTTON-OPEN REAR,Gray	1	SNA	B	
5.3-3	JC64-00352A	BUTTON-OPEN REAR,Black	1	SNA	B	
5.3-4	JC66-01905A	LEVER-REAR LOCK,Gray	1	SNA	B	
5.3-4	JC66-01905B	LEVER-REAR LOCK,Black	1	SNA	B	
5.3-5	6002-000440	SCREW-TAPPING	2	SA	B	
5.3-6	6107-001268	SPRING-TS	1	SA	B	
5.3-7	JC61-01456B	HOLDER-M-HOOK REAR L,Black	1	SNA	B	
5.3-8	JC61-01461B	HOLDER-M-HOOK REAR R,Black	1	SNA	B	
5.3-9	JC61-02254A	HOLDER-HOOK REAR C	1	SNA	B	
5.3-10	JC66-01089A	SHAFT-P-LOCKBAR REAR	1	SNA	B	
5.3-11	JC97-03046A	MEA UNIT-TRANSFER	1	SA	B	

5.4 Cover Front

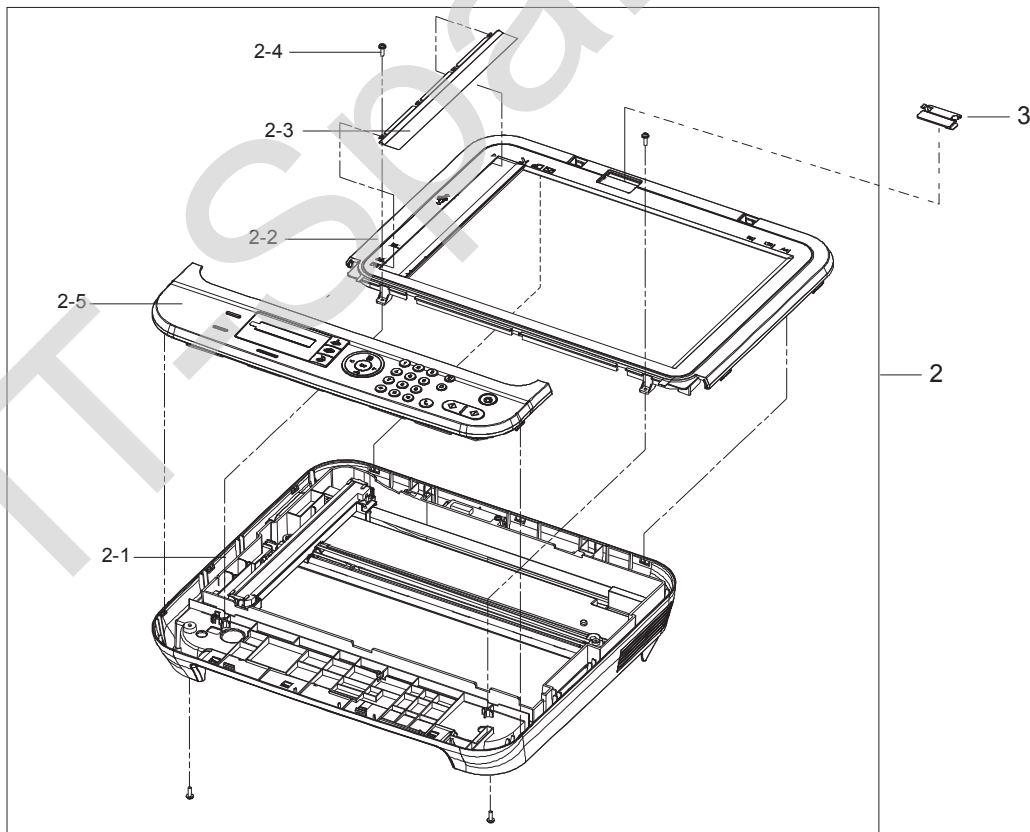
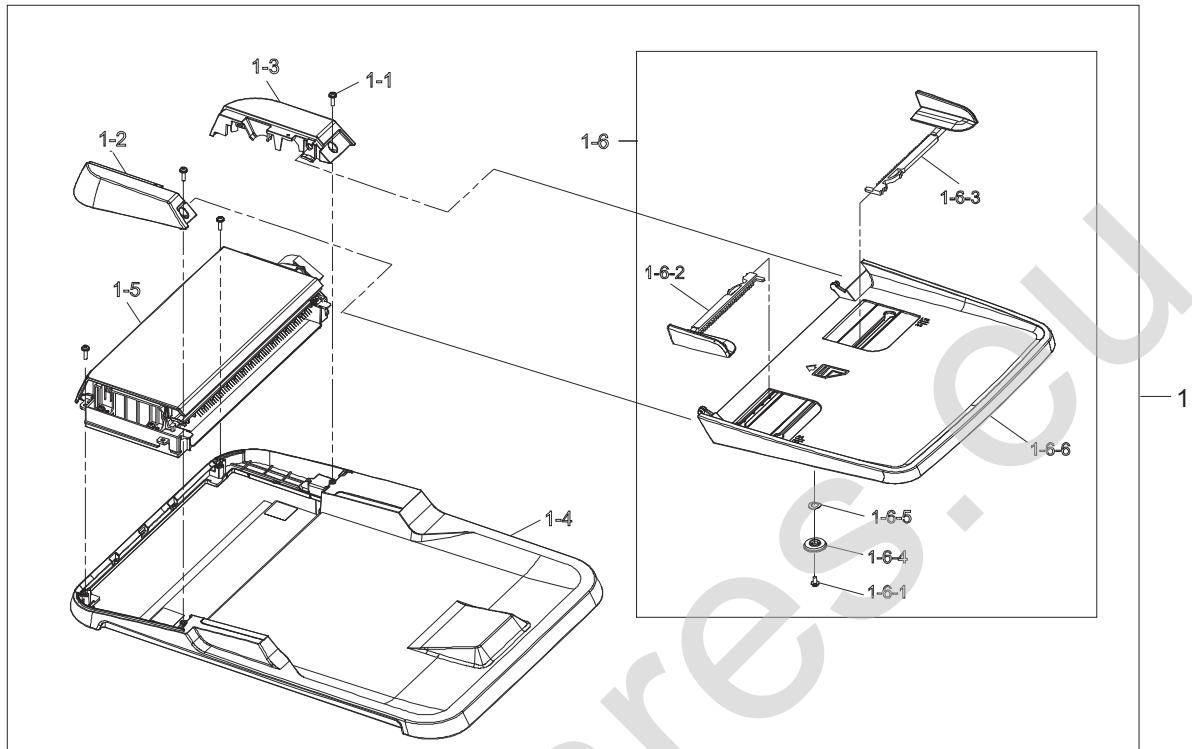


Cover Front Parts List

SA : SERVICE AVAILABLE, SNA : SERVICE not AVAILABLE

Drawer#	SEC_code	Description	QT'y	Service	Grade	Remark
5.4-0	JC97-03179A	MEA UNIT-COVER FRONT,Gray	1	SA	B	
5.4-0	JC97-03179B	MEA UNIT-COVER FRONT,Black	1	SA	B	
5.4-1	JC63-01763A	COVER-FRONT,Gray	1	SNA	B	
5.4-1	JC63-01763B	COVER-FRONT,Black	1	SNA	B	
5.4-2	JC63-01762A	COVER-FRONT INNER,Gray	1	SNA	B	
5.4-2	JC63-01762B	COVER-FRONT INNER,Black	1	SNA	B	
5.4-3	JC63-01791A	COVER-HANDLE,Gray	1	SNA	D	
5.4-3	JC63-01791B	COVER-HANDLE,Black	1	SNA	D	
5.4-5	JC64-00384B	LOCKER-FRONT L,Black	1	SNA	B	
5.4-6	JC64-00383B	LOCKER-FRONT R,Black	1	SNA	B	
5.4-7	JC66-01921A	SHAFT-LOCKBAR	1	SNA	B	
5.4-8	6003-000269	SCREW-TAPTITE	2	SA	B	
5.4-9	6107-001404	SPRING-CS	3	SNA	B	
5.4-10	6107-001403	SPRING-CS	1	SNA	B	
5.4-11	6107-001392	SPRING-TS	1	SNA	B	
5.4-17	JC64-00349A	BUTTON-SUPPORT	4	SNA	B	
5.4-18	JC64-00429A	BADGE-COLOR SMALL	1	SNA	A	
5.4-19	JC66-01748A	LEVER-LSU	2	SNA	B	
5.4-20	JC97-03039A	MEA-CRUM TERMINAL	16	SA	A	
5.4-23	JC92-01989A	PBA SUB-CRUMJOINT	1	SNA	B	
5.4-24	6003-000196	SCREW-TAPTITE	4	SA	B	

5.5 Scan Unit

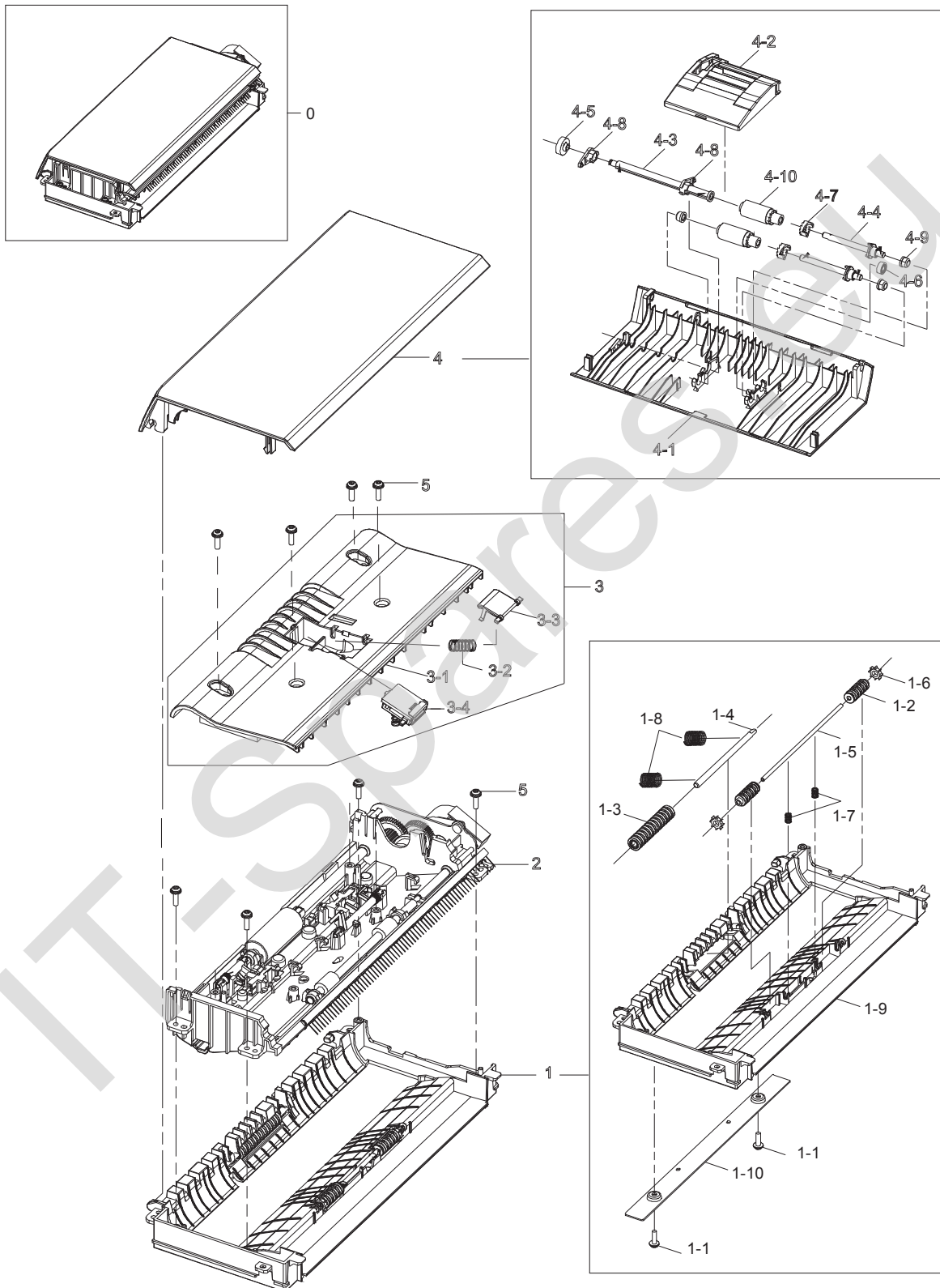


Scan Unit Parts List

SA : SERVICE AVAILABLE, SNA : SERVICE not AVAILABLE

Drawer#	SEC_code	Description	QT'y	Service	Grade	Remark
5.5-1	JC96-05008A	ELA HOU-ADF,Gray	1	SA	A	3170FN
5.5-1	JC96-05008B	ELA HOU-ADF,Black	1	SA	A	3175FN, 3175FW
5.5-1-1	6003-000196	SCREW-TAPTITE	4	SA	B	
5.5-1-2	JC63-01799A	COVER-UPPER F,Gray	1	SNA	A	
5.5-1-2	JC63-01799B	COVER-UPPER F,Black	1	SNA	A	
5.5-1-3	JC63-01798A	COVER-UPPER R,Gray	1	SNA	A	
5.5-1-3	JC63-01798B	COVER-UPPER R,Black	1	SNA	A	
5.5-1-4	JC97-03192A	MEA UNIT-COVER PLATEN,Gray	1	SA	A	
5.5-1-4	JC97-03192B	MEA UNIT-COVER PLATEN,Black	1	SA	A	
5.5-1-5	JC96-05007A	ELA UNIT-STANDARD ADF	1	SA	A	
5.5-1-5	JC96-05007B	ELA UNIT-STANDARD ADF	1	SA	A	
5.5-1-6	JC97-03185A	MEA HOU-STACKER,Gray	1	SA	B	
5.5-1-6	JC97-03185B	MEA HOU-STACKER,Black	1	SA	B	
5.5-2	JC96-05010A	ELA HOU-PLATEN	1	SA	A	3170FN
5.5-2	JC96-05010S	ELA HOU-PLATEN	1	SA	A	3175FN
5.5-2	JC96-05010W	ELA HOU-PLATEN	1	SA	A	3175FW
5.5-2-1	JC96-05011A	ELA UNIT-SCAN LOWER,Gray	1	SA	A	
5.5-2-1	JC96-05011B	ELA UNIT-SCAN LOWER,Black	1	SA	A	
5.5-2-2	JC97-03194A	MEA UNIT-SCAN UPPER,Gray	1	SA	A	
5.5-2-2	JC97-03194B	MEA UNIT-SCAN UPPER,Black	1	SA	A	
5.5-2-3	JC97-03195A	MEA HOU-ADF SHEET	1	SA	A	
5.5-2-3	JC97-03195B	MEA HOU-ADF SHEET	1	SA	A	
5.5-2-4	6003-000196	SCREW-TAPTITE	2	SA	B	
5.5-2-5	JC96-05014A	ELA UNIT-OPE	1	SA	A	3170FN
5.5-2-5	JC96-05014S	ELA UNIT-OPE	1	SA	A	3175FN
5.5-2-5	JC96-05014W	ELA UNIT-OPE	1	SA	A	3175FW
5.5-3	JC63-01787A	COVER-CONNECTOR	1	SNA	D	

5.6 Standard ADF

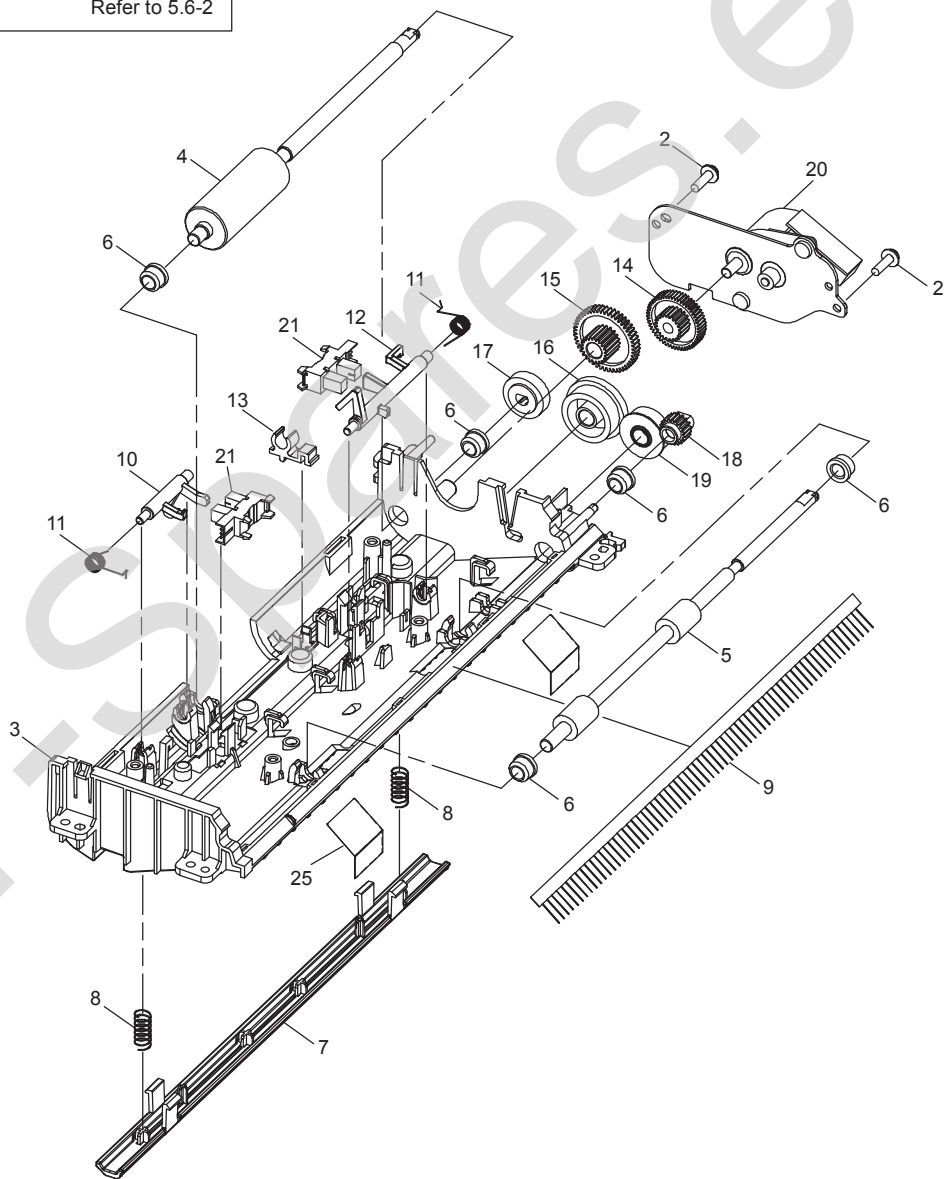
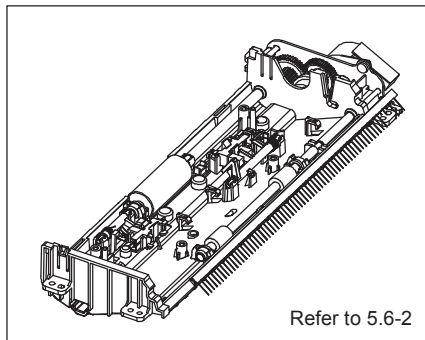


Standard ADF Parts List

SA : SERVICE AVAILABLE, SNA : SERVICE not AVAILABLE

Drawer#	SEC_code	Description	QT'y	Service	Grade	Remark
5.6-0	JC96-05007A	ELA UNIT-STANDARD ADF	1	SNA	A	
5.6-1	JC97-03205A	MEA UNIT-PATH PLATEN,Gray	1	SA	A	
5.6-1	JC97-03205B	MEA UNIT-PATH PLATEN,Black	1	SA	A	
5.6-1-1	6003-000196	SCREW-TAPTITE	2	SA	B	
5.6-1-2	JC66-01902A	ROLLER-IDLE EXIT	2	SNA	B	
5.6-1-3	JC66-01903A	ROLLER-IDLE SCAN	1	SNA	B	
5.6-1-4	JC66-01930A	SHAFT-IDEL SCAN	1	SNA	B	
5.6-1-5	JC66-01931A	SHAFT-IDEL EXIT	1	SNA	B	
5.6-1-6	JC73-00273A	RUBBER-IDLE EXIT	2	SNA	B	
5.6-1-7	6107-001405	SPRING-CS	2	SA	A	
5.6-1-8	JC61-00011A	SPRING ETC-FEED	2	SA	A	
5.6-1-9	JC61-02516A	FRAME-GUIDE PATH,Gray	1	SNA	A	
5.6-1-9	JC61-02516B	FRAME-GUIDE PATH,Black	1	SNA	A	
5.6-1-10	JC61-02519A	BRACKET-PATH LOWER	1	SNA	B	
5.6-2	JC96-05006A	ELA UNIT-PATH LOWER,Gray	1	SA	A	
5.6-2	JC96-05006B	ELA UNIT-PATH LOWER,Black	1	SA	A	
5.6-3	JC97-03189A	MEA UNIT-UPPER,White	1	SA	A	
5.6-3	JC97-03189B	MEA UNIT-UPPER,Black	1	SA	A	
5.6-3-1	JC63-01774A	COVER-UPPER	1	SNA	D	
5.6-3-2	6107-001398	SPRING-CS	1	SA	A	
5.6-3-3	JC61-02504A	SUPPORT-PICK UP	1	SNA	B	
5.6-3-4	JC97-03188A	MEA UNIT-PAD,Gray	1	SA	A	
5.6-3-4	JC97-03188B	MEA UNIT-PAD,Black	1	SA	A	
5.6-4	JC97-03187A	MEA UNIT-OPEN	1	SA	A	
5.6-4	JC97-03187B	MEA UNIT-OPEN	1	SA	A	
5.6-4-1	JC63-01768A	COVER-OPEN,Gray	1	SNA	A	
5.6-4-1	JC63-01768B	COVER-OPEN,Black	1	SNA	A	
5.6-4-2	JC63-01766A	COVER-PICK-UP,Gray	1	SNA	A	
5.6-4-2	JC63-01766B	COVER-PICK-UP,Black	1	SNA	A	
5.6-4-3	JC66-01919A	SHAFT-ADF	1	SNA	B	
5.6-4-4	JC66-01910A	ROLLER-SHAFT ADFDRIVE	2	SNA	B	
5.6-4-5	JC66-01917A	GEAR-PICK UP DRV	1	SA	B	
5.6-4-6	JC66-01918A	GEAR-IDLE PICK UP	1	SA	B	
5.6-4-7	JB72-00845A	PMO-PICK UP CLUTCH SUB	2	SA	A	
5.6-4-8	JC61-02260A	HOLDER-SHAFT	2	SNA	B	
5.6-4-9	JB72-00819A	PMO-BUSH	3	SA	A	
5.6-4-10	JC97-03186A	MEA UNIT-PICK UP ROLLER	2	SA	B	

5.7 Path Lower Unit

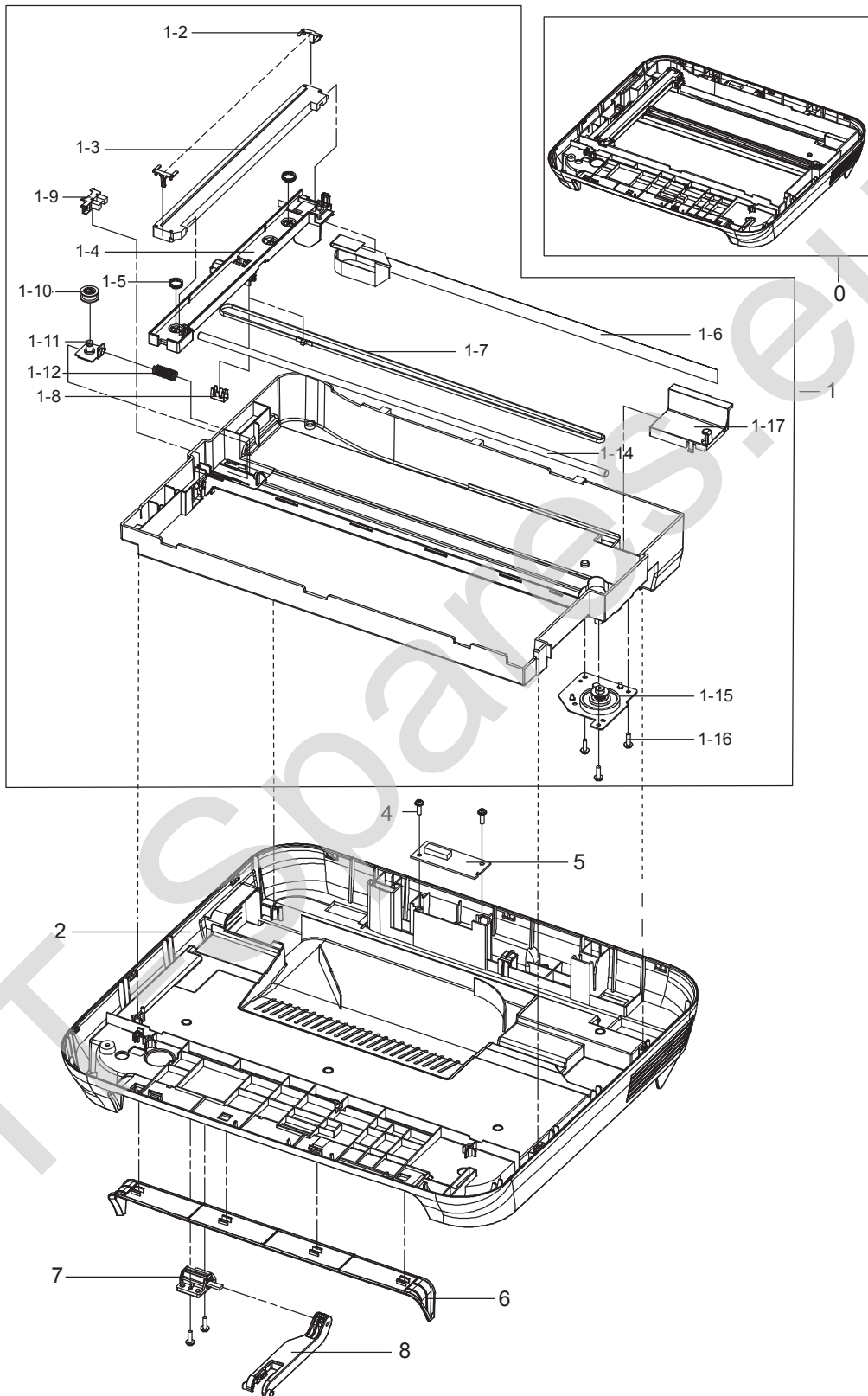


Path Lower Unit Parts List

SA : SERVICE AVAILABLE, SNA : SERVICE not AVAILABLE

Drawer#	SEC_code	Description	QT'y	Service	Grade	Remark
5.7-1	JC96-05006A	ELA UNIT-PATH LOWER,Gray	1	SA	A	
5.7-1	JC96-05006B	ELA UNIT-PATH LOWER,Black	1	SA	A	
5.7-2	6003-000196	SCREW-TAPTITE	2	SA	B	
5.7-3	JC61-02471A	GUIDE-PATH LOWER,Gray	1	SNA	A	
5.7-3	JC61-02471B	GUIDE-PATH LOWER,Black	1	SNA	A	
5.7-4	JC66-01904A	ROLLER-SCAN	1	SNA	B	
5.7-5	JC66-01909A	ROLLER-EXIT	1	SNA	B	
5.7-6	JB72-00819A	PMO-BUSH	5	SA	A	
5.7-7	JC61-02524A	GUIDE-WHITEBAR	1	SNA	D	
5.7-8	6107-001135	SPRING-CS	2	SA	B	
5.7-9	JC75-00095A	MEC-BRUSH ANTISTATIC	1	SA	A	
5.7-10	JC66-01891A	ACTUATOR-SCAN	1	SNA	B	
5.7-11	JB61-00076A	SPRING ETC-TORSION DOC (CC2-F)	2	SA	B	
5.7-12	JC66-01890A	ACTUATOR-PICK UP	1	SNA	B	
5.7-13	JC61-02507A	BUSH-SCAN	1	SNA	B	
5.7-14	JC66-01911A	GEAR-53_20	1	SA	B	
5.7-15	JC66-01912A	GEAR-49_20	1	SA	B	
5.7-16	JC66-01913A	GEAR-47_25	1	SA	B	
5.7-17	JC66-01914A	GEAR-DRV SCAN	1	SA	B	
5.7-18	JC66-01915A	GEAR-DRV EXIT	1	SA	B	
5.7-19	JC66-01916A	GEAR-IDLE EXIT	1	SA	B	
5.7-20	JC96-05005A	ELA HOU-ADF MOTOR	1	SA	B	
5.7-21	0604-001095	PHOTO-INTERRUPTER	2	SA	A	
5.7-25	JC63-02022A	SHEET-ADF STACKER	2	SNA	B	

5.8 Scan Lower Unit

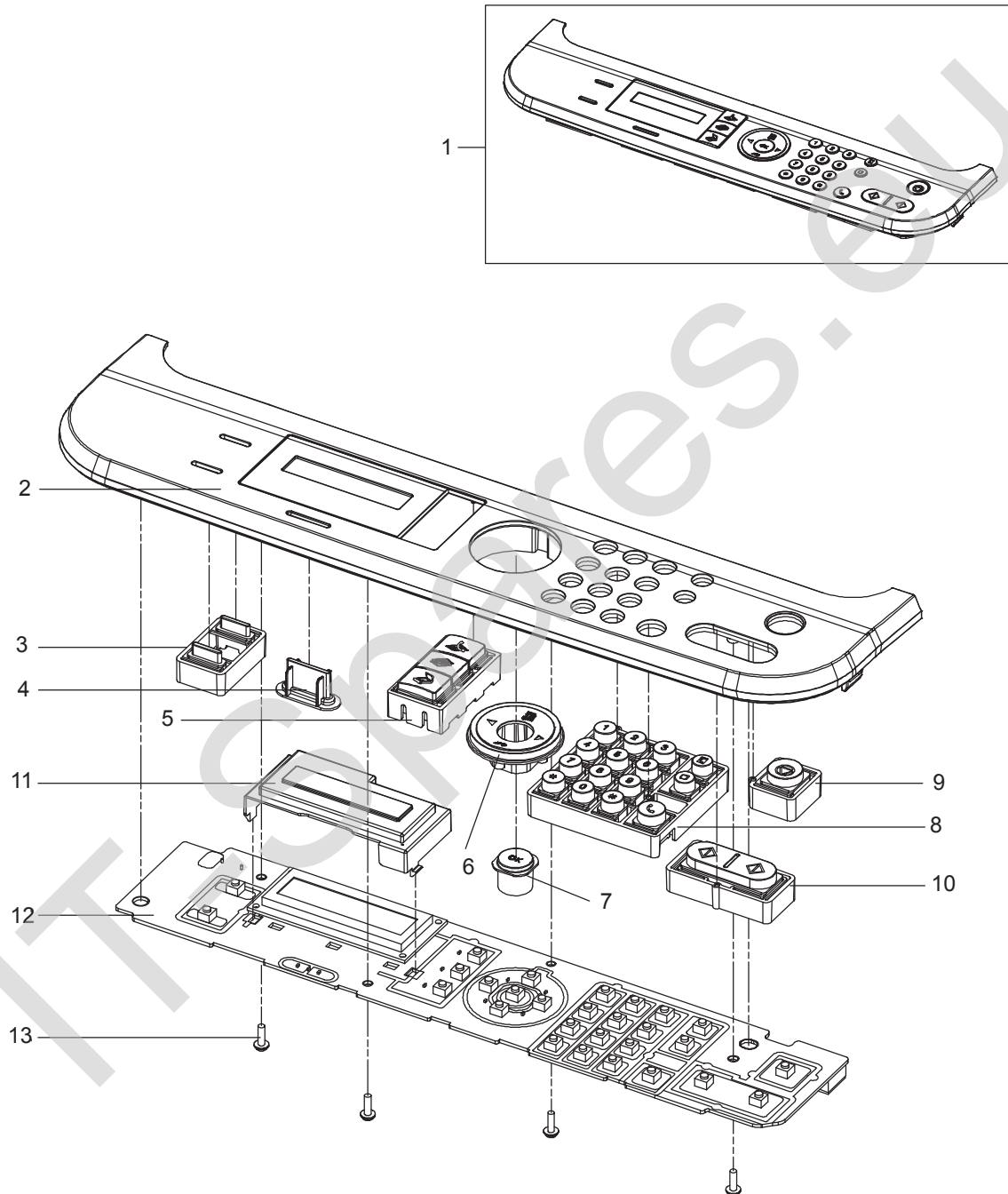


Scan Lower Unit Parts List

SA : SERVICE AVAILABLE, SNA : SERVICE not AVAILABLE

Drawer#	SEC_code	Description	QT'y	Service	Grade	Remark
5.8-0	JC96-05011A	ELA UNIT-SCAN LOWER,Gray	1	SA	A	
5.8-0	JC96-05011B	ELA UNIT-SCAN LOWER,Black	1	SA	A	
5.8-1	JC96-05012A	ELA UNIT-STANDARD SCAN,Gray	1	SNA	A	
5.8-1	JC96-05012B	ELA UNIT-STANDARD SCAN,Black	1	SNA	A	
5.8-1-2	JC66-01580A	SLIDER-CIS	2	SA	A	
5.8-1-3	0609-001305	CONTACT IMAGE SENSOR	1	SA	A	
5.8-1-4	JC61-02506A	BRACKET-CIS	1	SNA	B	
5.8-1-5	6107-001137	SPRING-CS	2	SA	B	
5.8-1-6	JC39-00925A	FLAT CABLE	1	SNA	A	
5.8-1-7	6602-001637	BELT-TIMING GEAR	1	SA	B	
5.8-1-8	JB61-00232A	CLIP-P-BELT	1	SA	A	
5.8-1-9	0604-001095	PHOTO-INTERRUPTER	1	SA	A	
5.8-1-10	JC66-00713A	PULLEY-M_IDLE	1	SNA	A	
5.8-1-11	JC61-00931A	BRACKET-P-PULLEY	1	SNA	A	
5.8-1-12	6107-001194	SPRING-CS	1	SA	B	
5.8-1-13	JC61-02517A	FRAME-SCAN LOWER,Gray	1	SNA	A	
5.8-1-13	JC61-02517B	FRAME-SCAN LOWER,Black	1	SNA	A	
5.8-1-14	JC66-01448A	SHAFT-CIS	1	SA	A	
5.8-1-15	JC96-05013A	ELA UNIT-SCAN DRIVE	1	SA	B	
5.8-1-16	6003-000196	SCREW-TAPTITE	3	SA	B	
5.8-1-17	JC63-01803A	COVER-FFC,Gray	1	SNA	A	
5.8-1-17	JC63-01803B	COVER-FFC,Black	1	SNA	A	
5.8-2	JC63-01772A	COVER-SCAN LOWER,Gray	1	SNA	B	
5.8-2	JC63-01772B	COVER-SCAN LOWER,Black	1	SNA	B	
5.8-4	6003-00196	SCREW-TAPTITE	8	SNA	B	
5.8-5	JC92-02021A	PBA SUB-CONNECTOR	1	SA	B	
5.8-6	JC63-01788A	COVER-OPE DECO	1	SNA	A	
5.8-6	JC63-01788B	COVER-OPE DECO	1	SNA	A	
5.8-7	JC97-03207A	MEA HOU-LINK	1	SA	B	
5.8-8	JC66-01901A	LINK-SCAN	1	SNA	B	

5.9 OPE Unit

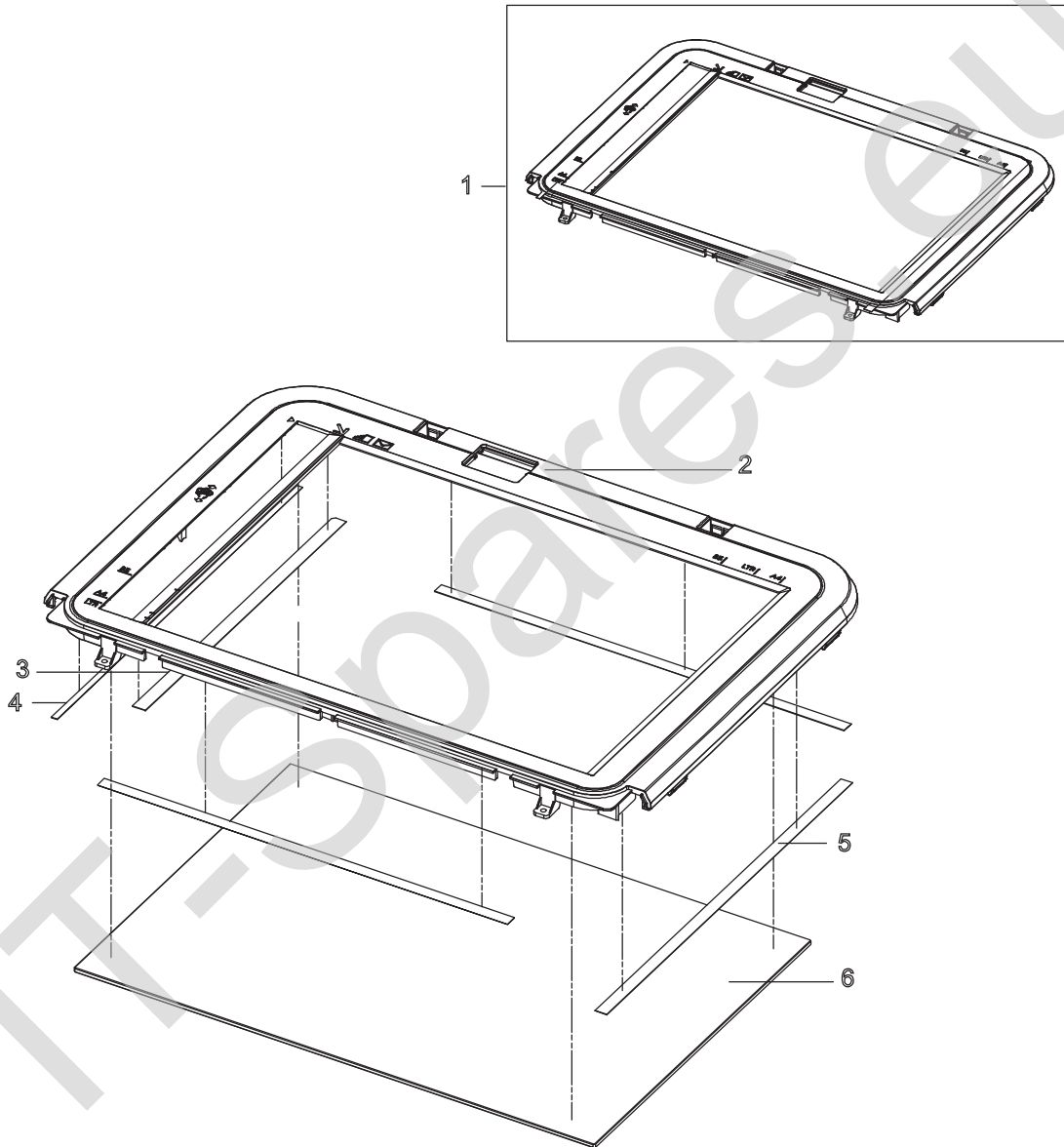


OPE Unit Parts List

SA : SERVICE AVAILABLE, SNA : SERVICE not AVAILABLE

Drawer#	SEC_code	Description	QT'y	Service	Grade	Remark
5.9-1	JC96-05014A	ELA UNIT-OPE, Gray	1	SA	A	
5.9-1	JC96-05014D	ELA UNIT-OPE, Black	1	SA	A	
5.9-1	JC96-05014W	ELA UNIT-OPE	1	SA	A	CLX-3175FW
5.9-2	JC63-01968S	COVER-OPE	1	SNA	A	
5.9-2	JC63-01968W	COVER-OPE	1	SNA	A	CLX-3175FW
5.9-3	JC64-00386A	KEY-EXTRA	1	SA	B	
5.9-3	JC64-00386B	KEY-EXTRA	1	SA	B	
5.9-4	JC64-00392A	KEY-STATUS	1	SNA	B	
5.9-4	JC64-00392B	KEY-STATUS	1	SNA	B	
5.9-4	JC64-00431A	KEY-STATUS W	1	SNA	B	Only CLX-317xFW
5.9-5	JC64-00387A	KEY-FAX	1	SA	B	
5.9-5	JC64-00387B	KEY-FAX	1	SA	B	
5.9-6	JC64-00388A	KEY-MENU	1	SA	B	
5.9-6	JC64-00388B	KEY-MENU	1	SA	B	
5.9-7	JC64-00389A	KEY-OK	1	SA	B	
5.9-7	JC64-00389B	KEY-OK	1	SA	B	
5.9-8	JC64-00394A	KEY-TEL	1	SA	B	
5.9-8	JC64-00394B	KEY-TEL	1	SA	B	
5.9-9	JC64-00393A	KEY-STOP	1	SA	B	
5.9-9	JC64-00393B	KEY-STOP	1	SA	B	
5.9-10	JC64-00391A	KEY-START	1	SA	B	
5.9-10	JC64-00391B	KEY-START	1	SA	B	
5.9-11	JC63-01802A	COVER-LCD	1	SNA	B	
5.9-12	JC92-02019A	PBA SUB-OPE	1	SA	A	
5.9-13	6003-000196	SCREW-TAPTITE	4	SA	B	

5.10 Scan Upper Unit

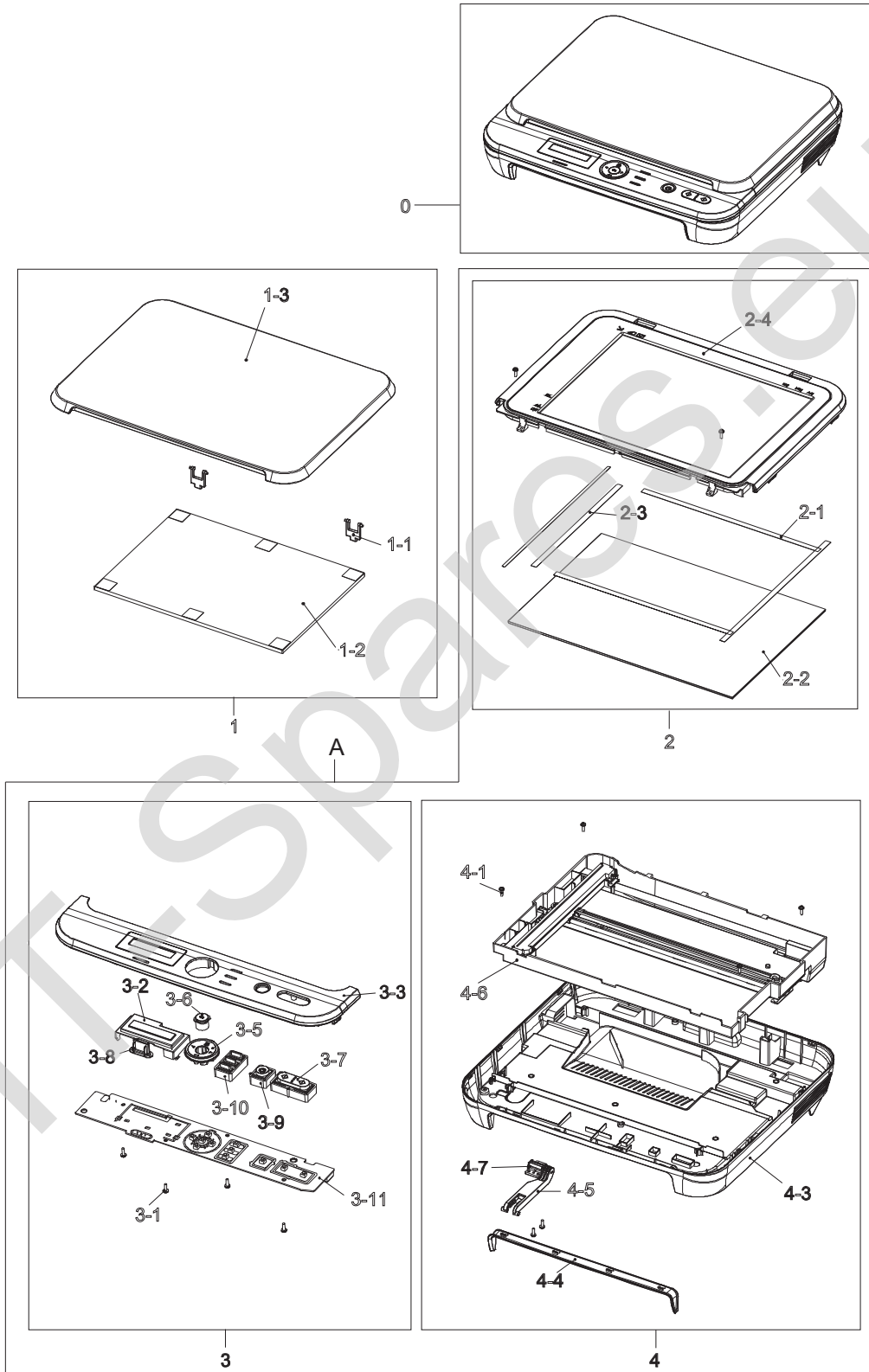


Scan Upper Unit Parts List

SA : SERVICE AVAILABLE, SNA : SERVICE not AVAILABLE

Drawer#	SEC_code	Description	QT'y	Service	Grade	Remark
5.10-1	JC97-03194A	MEA UNIT-SCAN UPPER,Gray	1	SA	A	
5.10-1	JC97-03194B	MEA UNIT-SCAN UPPER,Black	1	SA	A	
5.10-2	JC63-01773A	COVER-SCAN UPPER,Gray	1	SNA	A	
5.10-2	JC63-01773B	COVER-SCAN UPPER,Black	1	SNA	A	
5.10-3	JC63-01906A	SHEET-SHADING	1	SNA	B	
5.10-4	0203-001266	TAPE-DOUBLE FACE	1	SNA	A	
5.10-5	0203-001267	TAPE-DOUBLE FACE	3	SNA	A	
5.10-6	JC01-00002A	GLASS-PLATEN	1	SA	D	

5.11 Scan Unit(3 in 1)

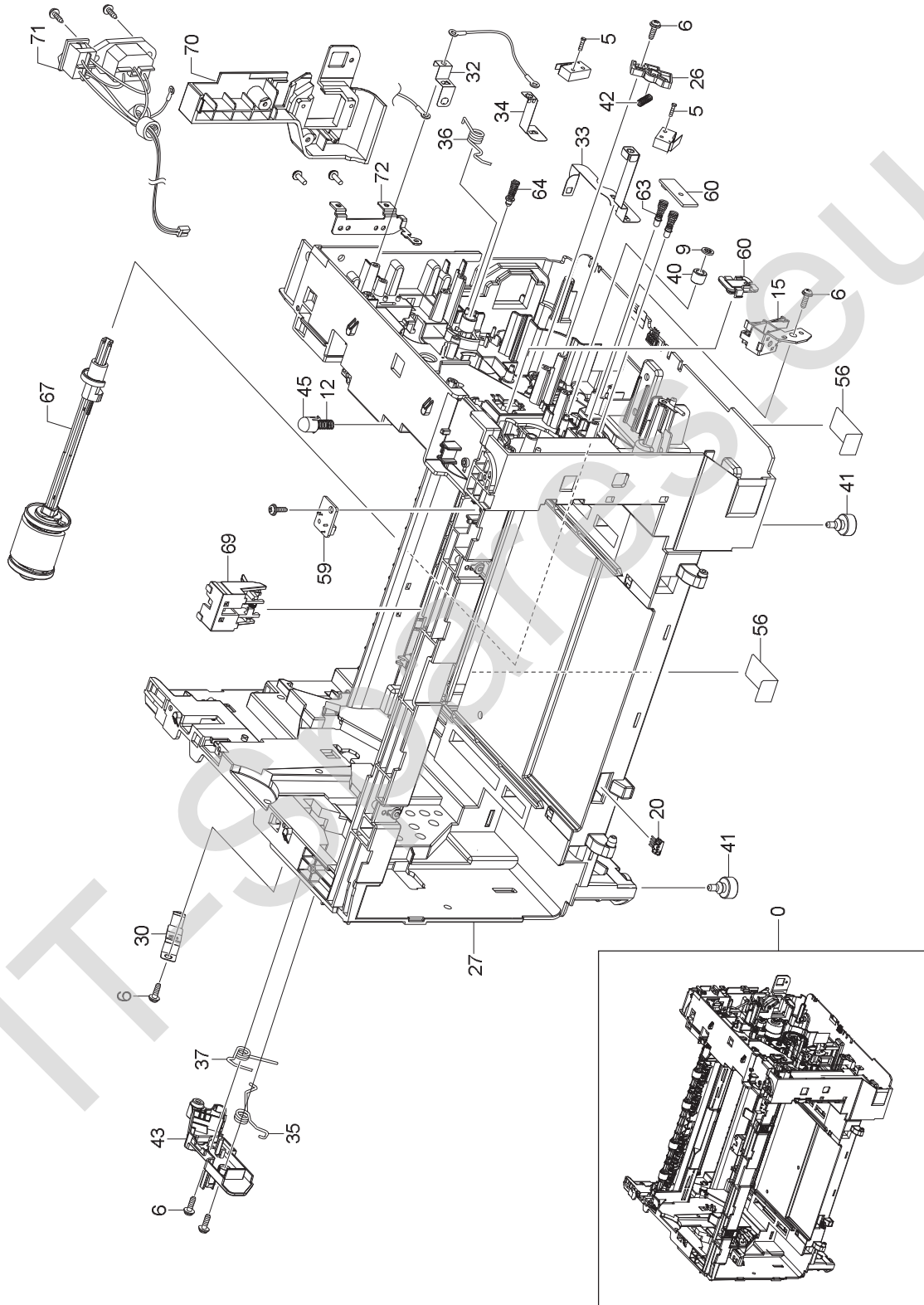


Scan Unit(3 in 1) Parts List

SA : SERVICE AVAILABLE, SNA : SERVICE not AVAILABLE

Drawer#	SEC_code	Description	QT'y	Service	Grade	Remark
5.11-0	JC96-05263A	ELA HOU-SCAN	1	SA	A	3 in 1
5.11-1	JC97-03438A	MEA UNIT-COVER PLATEN	1	SA	B	
5.11-1-1	JC61-00929A	HINGE-M_PIVOT	2	SNA	D	
5.11-1-2	JC63-00209A	SHEET-WHITE SPONGE	1	SNA	B	
5.11-1-3	JC63-01977A	COVER-PLATEN	1	SA	A	
5.11-A	JC96-05262A	ELA HOU-PLATEN	1	SA	D	
5.11-2	JC97-03437A	MEA UNIT-SCAN UPPER	1	SA	B	
5.11-2-1	0203-001267	TAPE-DOUBLE FACE	4	SNA	A	
5.11-2-2	JC01-00002A	GLASS-PLATEN	1	SA	D	
5.11-2-3	JC63-01906A	SHEET-SHADING	1	SNA	B	
5.11-2-4	JC63-01979A	COVER-SCAN UPPER	1	SA	A	
5.11-3	JC96-05260A	ELA UNIT-OPE	1	SA	A	
5.11-3-1	6003-000196	SCREW-TAPTITE	4	SA	B	
5.11-3-2	JC63-01802A	COVER-LCD	1	SNA	B	
5.11-3-3	JC63-01980A	COVER-OPE	1	SA	A	
5.11-3-5	JC64-00388B	KEY-MENU	1	SA	B	
5.11-3-6	JC64-00389B	KEY-OK	1	SA	B	
5.11-3-7	JC64-00391B	KEY-START	1	SA	B	
5.11-3-8	JC64-00392A	KEY-STATUS	1	SNA	B	
5.11-3-9	JC64-00393B	KEY-STOP	1	SA	B	
5.11-3-10	JC64-00430A	KEY-EXTRA	1	SA	A	
5.11-3-11	JC92-02061A	PBA SUB-OPE	1	SA	B	
5.11-4	JC96-05261A	ELA UNIT-SCAN LOWER	1	SA	A	
5.11-4-1	6003-000196	SCREW-TAPTITE	6	SA	B	
5.11-4-3	JC63-01978A	COVER-SCAN LOWER	1	SA	A	
5.11-4-4	JC63-01981A	COVER-OPE DECO	1	SA	A	
5.11-4-5	JC66-01901A	LINK-SCAN	1	SNA	B	
5.11-4-6	JC96-05012A	ELA UNIT-STANDARD SCAN	1	SA	A	
5.11-4-7	JC97-03207A	MEA HOU-LINK	1	SA	B	

5.12 Frame1

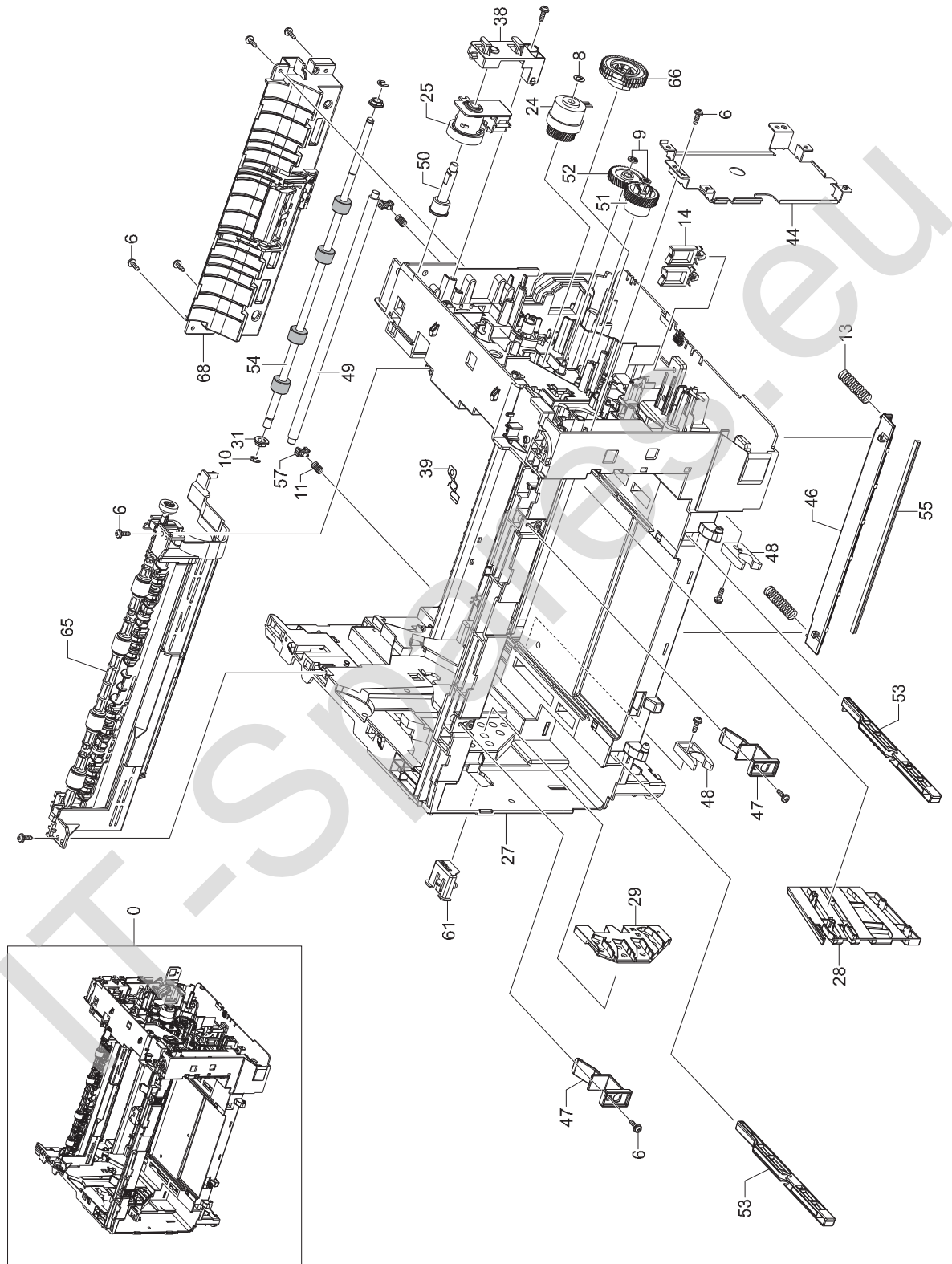


Frame1 Parts List

SA : SERVICE AVAILABLE, SNA : SERVICE not AVAILABLE

Drawer#	SEC_code	Description	QT'y	Service	Grade	Remark
5.12-0	JC97-03198A	MEA UNIT-FRAME	1	SA	B	
5.12-0	JC97-03198B	MEA UNIT-FRAME	1	SA	B	
5.12-0	JC97-03198C	MEA UNIT-FRAME	1	SA	B	3 in 1
5.12-5	6003-000152	SCREW-TAPTITE	2	SA	D	
5.12-6	6003-000196	SCREW-TAPTITE	25	SA	B	
5.12-9	6044-000001	RING-CS	3	SNA	B	
5.12-15	JC33-00026A	SOLENOID-PICK UP	1	SA	A	
5.12-20	JC39-00906A	HARNESS-CRUMJOINT	1	SNA	B	
5.12-26	JC61-01548A	HOLDER-M-CAM	1	SNA	A	
5.12-27	JC61-02326A	FRAME-BASE MILLET	1	SNA	A	
5.12-30	JC61-02369A	PLATE-GROUND OPC L	1	SNA	B	
5.12-32	JC61-02376A	PLATE-GROUND FUSER	1	SNA	B	
5.12-33	JC61-02377A	PLATE-GROUND REGI	1	SNA	B	
5.12-34	JC61-02379A	PLATE-GROUND T2	1	SNA	B	
5.12-35	JC61-02415A	SPRING ETC-OPC L	1	SA	B	
5.12-36	JC61-02416A	SPRING ETC-ITB R	1	SA	B	
5.12-37	JC61-02417A	SPRING ETC-ITB L	1	SA	B	
5.12-40	JC61-02474A	GUIDE-DEVE	1	SNA	A	
5.12-41	JC61-40001A	FOOT-ML80	4	SA	A	
5.12-42	JC61-70940A	SPRING ETC-TR(12)	1	SA	B	
5.12-43	JC63-01592A	COVER-GROUND OPC	1	SNA	B	
5.12-45	JC64-00349A	BUTTON-SUPPORT	1	SNA	B	
5.12-56	JC63-01779A	SHEET-DEFLECTION	2	SNA	B	
5.12-59	JC92-02003A	PBA SUB-5V_SWITCH	1	SA	B	
5.12-60	JC96-04757A	ELA UNIT-PTL LAMP	1	SA	B	
5.12-63	JC97-01771A	MEA UNIT-TERMINAL S	2	SA	A	
5.12-64	JC97-02638A	MEA UNIT-TERMINAL GND	1	SA	A	
5.12-67	JC97-03028A	MEA UNIT-PICK UP ROLL	1	SA	B	
5.12-69	JC97-03030A	MEA UNIT-ACT REGI	1	SA	B	
5.12-70	JC63-01792A	COVER-DUMMY FRAME,Gray	1	SNA	B	
5.12-70	JC63-01792B	COVER-DUMMY FRAME,Black	1	SNA	B	
5.12-71	JC39-00908A	HARNESS-ILNET	1	SNA	B	
5.12-72	JC61-02502A	BRACKET-LIU	1	SNA	A	

5.13 Frame2

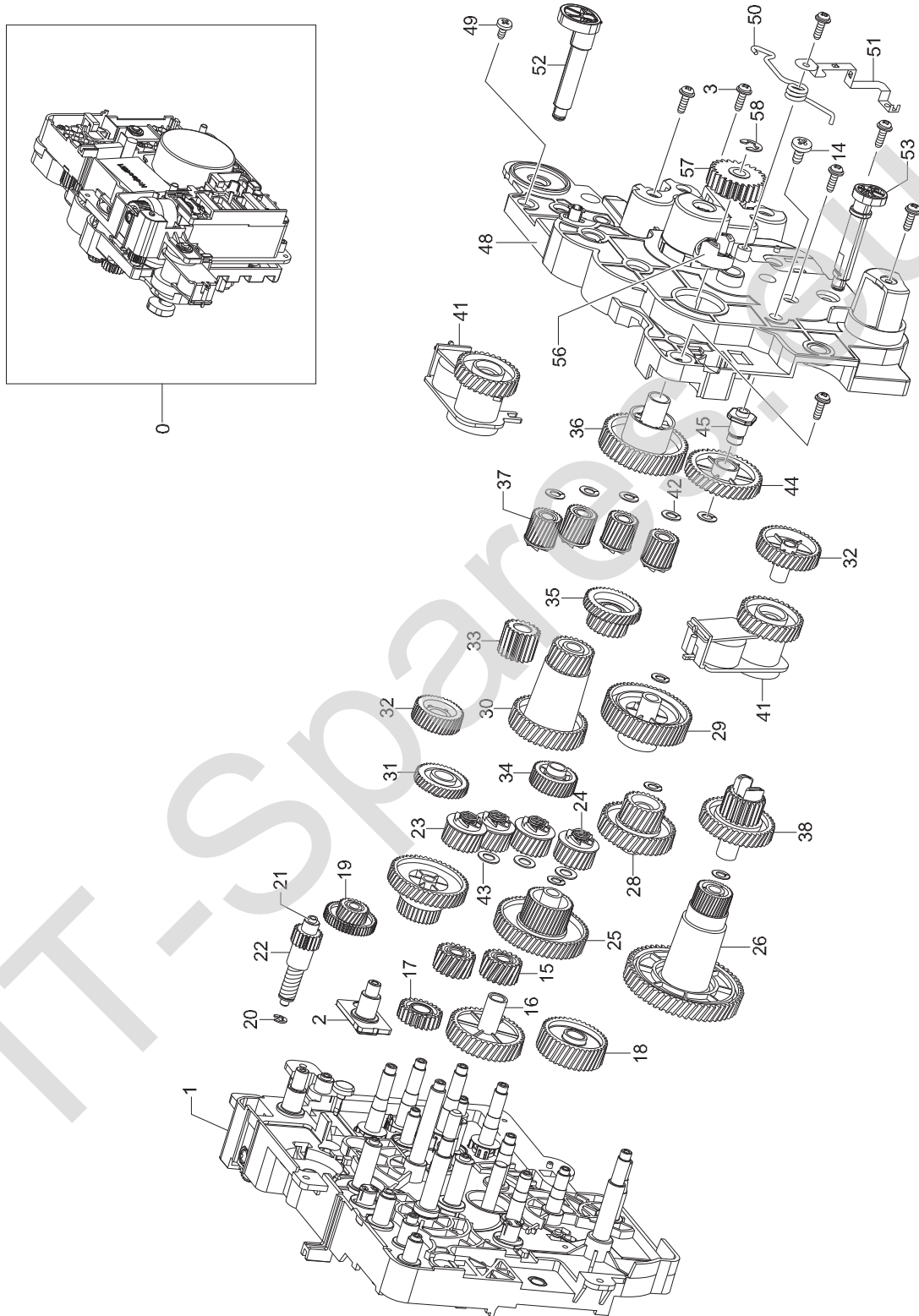


Frame2 Parts List

SA : SERVICE AVAILABLE, SNA : SERVICE not AVAILABLE

Drawer#	SEC_code	Description	QT'y	Service	Grade	Remark
5.13-0	JC97-03198A	MEA UNIT-FRAME	1	SA	B	
5.13-0	JC97-03198B	MEA UNIT-FRAME	1	SA	B	
5.13-0	JC97-03198C	MEA UNIT-FRAME	1	SA	B	3 in 1
5.13-6	6003-000196	SCREW-TAPTITE	25	SA	B	
5.13-8	6031-001255	WASHER-PLAIN	1	SA	B	
5.13-9	6044-000001	RING-CS	3	SNA	B	
5.13-10	6044-000125	RING-E	2	SA	B	
5.13-11	6107-001309	SPRING-CS	2	SA	B	
5.13-13	6107-001409	SPRING-CS	2	SA	B	
5.13-14	6502-001093	CABLE CLAMP	2	SA	A	
5.13-24	JC47-00019A	CLUTCH-DEVE CAM	1	SNA	A	
5.13-25	JC47-00020A	CLUTCH-FUSER CAM	1	SNA	A	
5.13-27	JC61-02326A	FRAME-BASE MILLET	1	SNA	A	
5.13-28	JC61-02357A	GUIDE-RAIL R	1	SNA	B	
5.13-29	JC61-02359A	GUIDE-RAIL L	1	SNA	B	
5.13-31	JC61-02372A	BUSH-D6/L4	2	SA	B	
5.13-38	JC61-02425A	HOLDER-CLUTCH	1	SA	B	
5.13-39	JC61-02473A	PLATE-SWITCH	1	SNA	B	
5.13-44	JC63-01654A	SHIELD-SMPS	1	SNA	B	
5.13-46	JC64-00350A	SHUTTER-LSU	1	SNA	B	
5.13-47	JC64-00365A	LOCKER-ITB	2	SA	B	
5.13-48	JC66-00050A	CAM-CATCH	2	SA	A	
5.13-49	JC66-01120A	SHAFT-FEED IDLE	1	SNA	A	
5.13-50	JC66-01207A	SHAFT-M-CLUTCH FUSER	1	SA	B	
5.13-51	JC66-01721A	GEAR-REGI DRIVE	1	SA	B	
5.13-52	JC66-01722A	GEAR-REGI RELAY	1	SA	B	
5.13-53	JC66-01740A	LINK-LSU	2	SNA	B	
5.13-54	JC66-01777A	ROLLER-REGI	1	SNA	B	
5.13-55	JC67-00168A	BRUSH-LSU	1	SNA	A	
5.13-57	JC72-00102A	PMO-BUSHING_TR(L)	2	SA	B	
5.13-61	JC96-04756A	ELA UNIT-SENSOR WASTE	1	SA	B	
5.13-65	JC97-03024A	MEA UNIT-FRAME EXIT	1	SA	B	
5.13-66	JC97-03027A	MEA UNIT-PICK UP GEAR	1	SA	B	
5.13-68	JC97-03029A	MEA UNIT-GUIDE PICKUP	1	SA	B	

5.14 Main Drive1



Main Drive1 Parts List

SA : SERVICE AVAILABLE, SNA : SERVICE not AVAILABLE

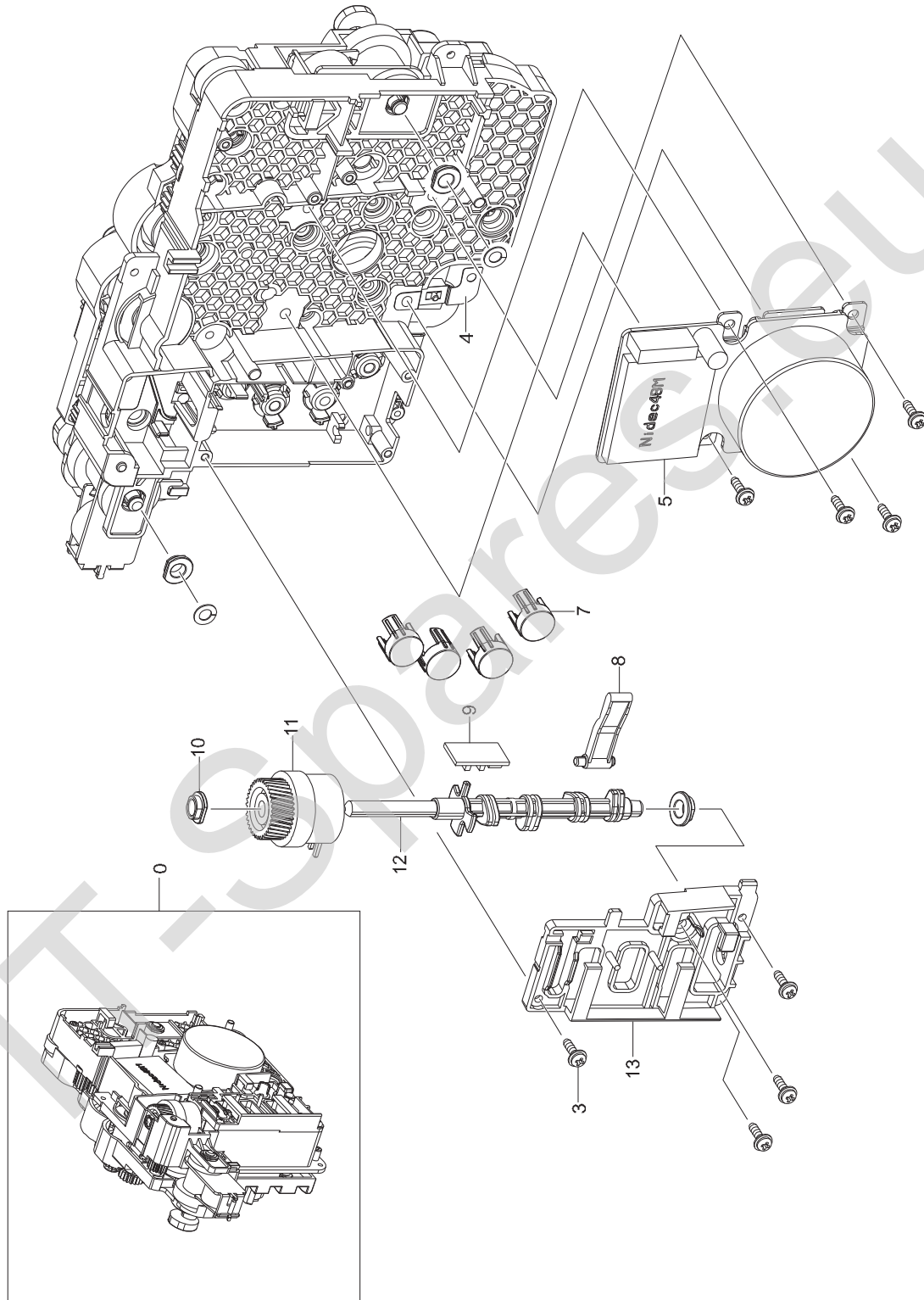
Drawer#	SEC_code	Description	QT'y	Service	Grade	Remark
5.14-0	JC96-04750A	ELA UNIT-DRIVE MAIN	1	SA	B	
5.14-1	JC61-02273A	BRACKET-DRIVE MAIN	1	SNA	B	
5.14-2	JC61-02279A	BRACKET-STUD	1	SNA	B	
5.14-3	6002-000440	SCREW-TAPPING	21	SA	B	
5.14-14	6003-000310	SCREW-TAPTITE	1	SNA	B	
5.14-15	JC66-01042A	GEAR-IDLE DEVE Z19	2	SA	B	
5.14-16	JC66-01716A	GEAR-IDLE Z39	1	SNA	B	
5.14-17	JC66-01707A	GEAR-EXIT IDLE	1	SNA	B	
5.14-18	JC66-01714A	GEAR-IDLE ITB Z57	1	SNA	B	
5.14-19	JC66-01697A	GEAR-RDCN DEVE CAM	1	SNA	B	
5.14-20	6044-000159	RING-C	1	SA	B	
5.14-21	JC66-01060A	SHAFT-WORM GEAR	1	SNA	B	
5.14-22	JC66-01057A	GEAR-WORM DEVE CAM	1	SA	B	
5.14-23	JC66-01705A	GEAR-DEVE COUPLING	4	SNA	B	
5.14-24	6107-001362	SPRING-CS	4	SA	B	
5.14-25	JC66-01848A	GEAR-RDCN OPC	1	SNA	B	
5.14-26	JC66-01693A	GEAR-ITB DRIVE	1	SNA	B	
5.14-27	JC66-01728A	GEAR-RDCN EXIT	1	SNA	B	
5.14-28	JC66-01727A	GEAR-RDCN P_PARH	1	SNA	B	
5.14-29	JC66-01725A	GEAR-RDCN DEVE	1	SNA	B	
5.14-30	JC66-01698A	GEAR-OPC DRIVE	1	SNA	B	
5.14-31	JC66-01704A	GEAR-DEVE CLUTCH Z27	1	SNA	B	
5.14-32	JC66-01710A	GEAR-IDLE CLUTCH CAM	1	SNA	B	
5.14-33	JC66-01708A	GEAR-EXIT RELAY	1	SNA	B	
5.14-34	JC66-01711A	GEAR-IDLE FUSER CAM	1	SNA	B	
5.14-35	JC66-01729A	GEAR-RDCN FUSER CAM	1	SNA	B	
5.14-36	JC66-01709A	GEAR-FUSER DRIVE	1	SNA	B	
5.14-37	JC66-01706A	GEAR-DEVE DRIVE	4	SNA	B	
5.14-38	JC66-01718A	GEAR-PICK UP DRIVE	1	SNA	B	
5.14-39	JC66-01715A	GEAR-IDLE Z32	1	SNA	B	
5.14-40	JC47-00022A	CLUTCH-FUSER CAM	1	SNA	A	
5.14-41	JC47-00007F	CLUTCH-ITB CAM	2	SA	A	
5.14-42	6031-001490	WASHER-PLAIN	13	SNA	B	
5.14-43	6031-001255	WASHER-PLAIN	4	SA	B	
5.14-44	JC66-01717A	GEAR-IDLE Z39 F	1	SNA	B	
5.14-45	JC66-01061A	SHAFT-IDLE D8	1	SNA	B	
5.14-48	JC61-02243A	BRACKET-DRIVE FRONT	1	SNA	B	
5.14-49	6001-000130	SCREW-MACHINE	3	SA	B	
5.14-50	JC61-02419A	SPRING ETC-GROUND OPC	1	SA	B	

Main Drive1 Parts List

SA : SERVICE AVAILABLE, SNA : SERVICE not AVAILABLE

Drawer#	SEC_code	Description	QT'y	Service	Grade	Remark
5.14-51	JC61-02373A	PLATE-GROUND OPC	1	SNA	B	
5.14-52	JC66-01724A	SHAFT-ITB CLEAN CAM	1	SNA	B	
5.14-53	JC66-01723A	SHAFT-T2 CAM	1	SNA	B	
5.14-54	JC66-01713A	GEAR-ITB TENSION CAM	1	SNA	B	
5.14-55	JC66-01712A	GEAR-IDLE ITB TENSION	1	SNA	B	
5.14-56	JC66-01070A	LATCH-M-HUB CLUTCH	1	SNA	A	
5.14-57	JC66-01155A	GEAR-FUSER RDCN OUT V	1	SNA	A	
5.14-58	6044-000231	RING-E	2	SA	A	

5.15 Main Drive2

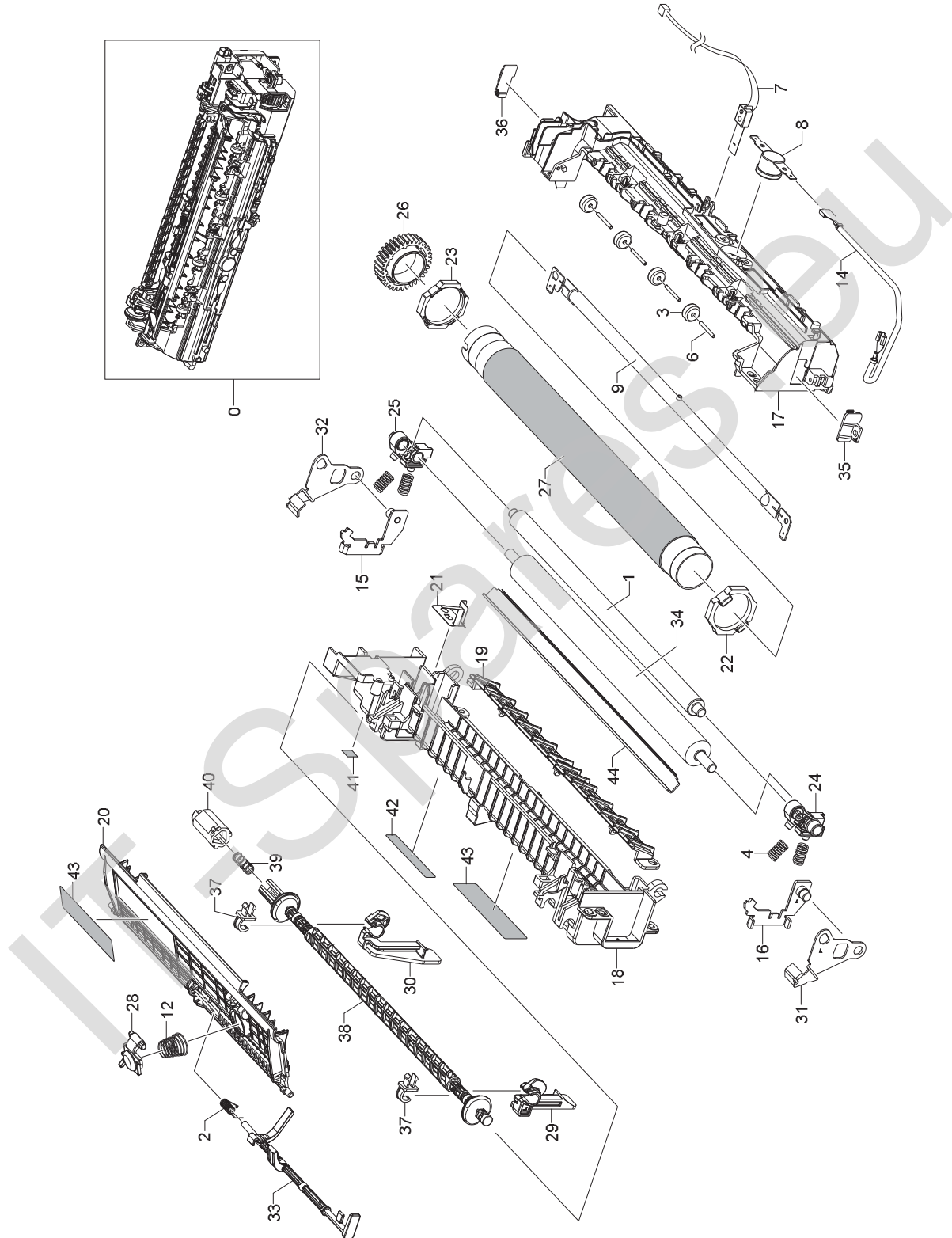


Main Drive2 Parts List

SA : SERVICE AVAILABLE, SNA : SERVICE not AVAILABLE

Drawer#	SEC_code	Description	QT'y	Service	Grade	Remark
5.15-0	JC96-04750A	ELA UNIT-DRIVE MAIN	1	SA	B	
5.15-4	JC61-02374A	PLATE-GROUND MOTOR	1	SNA	B	
5.15-5	JC31-00091A	MOTORBLDC	1	SA	A	
5.15-7	JC67-00278A	CAP-PUSH COUPLING	4	SNA	B	
5.15-8	JC66-01726A	LINK-PUSHBLACK CAP	1	SNA	B	
5.15-9	JC92-01986A	PBA SUB-DEVEHOME	1	SA	A	
5.15-10	JC61-02372A	BUSH-D6/L4	4	SA	B	
5.15-11	JC47-00019A	CLUTCH-DEVE CAM	1	SNA	A	
5.15-12	JC66-01720A	SHAFT-DEVE CAM	1	SNA	B	
5.15-13	JC61-02292A	HOLDER-DEVE CAM	1	SNA	B	

5.16 Fuser Unit



Fuser Unit Parts List

SA : SERVICE AVAILABLE, SNA : SERVICE not AVAILABLE

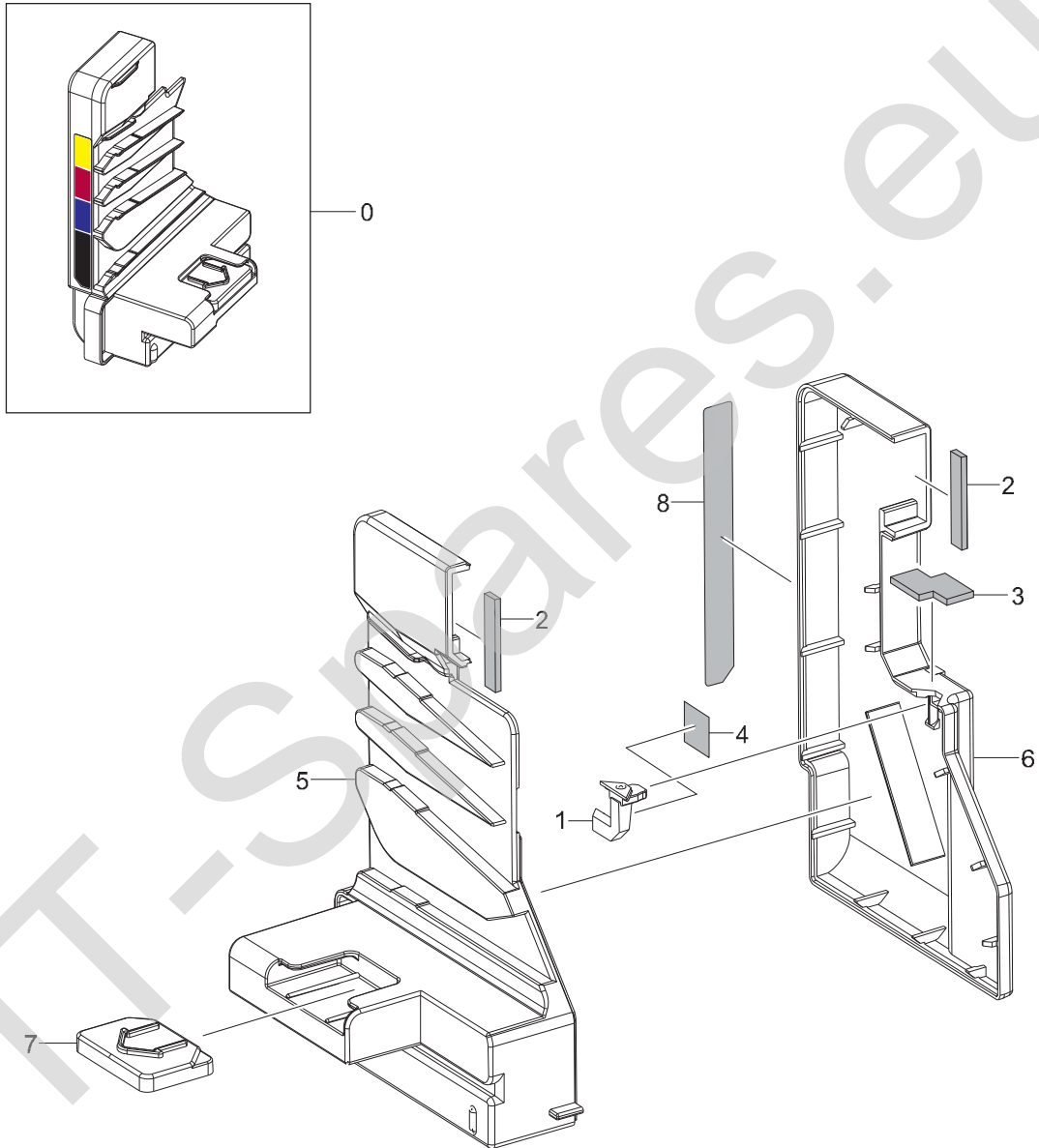
Drawer#	SEC_code	Description	QT'y	Service	Grade	Remark
5.16-0	JC96-04780A	ELA UNIT-FUSER	1	SA	B	220V
5.16-0	JC96-04781A	ELA UNIT-FUSER	1	SA	B	110V
5.16-1	JC66-01804A	ROLLER-PRESSURE SHAFT	1	SNA	A	
5.16-2	JC61-01271A	SPRING ETC-ACTUATOR	1	SA	B	
5.16-3	JC66-01813A	ROLLER-IDLE	4	SNA	B	
5.16-4	6107-001397	SPRING CS	4	SA	B	
5.16-6	JC66-01872A	SHAFT-ROLLER IDLE	4	SA	B	
5.16-7	1404-001141	THERMISTOR-NTC	1	SNA	A	
5.16-8	4712-001027	THERMOSTAT	1	SA	A	
5.16-9	4713-001209	LAMP-HALOGEN	1	SA	B	110V
5.16-9	4713-001210	LAMP-HALOGEN	1	SA	B	220V
5.16-10	6003-000196	SCREW-TAPTITE	28	SA	B	
5.16-11	6003-000261	SCREW-TAPTITE	3	SA	B	
5.16-12	6107-001169	SPRING-CS	1	SA	B	
5.16-13	JC39-00500A	CBF HARNESS-FUSE_LINK1	1	SA	A	
5.16-15	JC61-02287A	HOLDER-BUSH R	1	SNA	B	
5.16-16	JC61-02290A	HOLDER-BUSH L	1	SNA	B	
5.16-17	JC61-02320A	FRAME-UPPER FUSER	1	SNA	B	
5.16-18	JC61-02322A	FRAME-LOWER FUSER	1	SNA	B	
5.16-19	JC61-02361A	GUIDE-INPUT FUSER	1	SNA	B	
5.16-20	JC61-02364A	GUIDE-OUTPUT FUSER	1	SNA	B	
5.16-21	JC61-02371A	PLATE-GROUND FUSER	1	SNA	B	
5.16-22	JC61-02392A	BUSH-HR L	1	SNA	B	
5.16-23	JC61-02393A	BUSH-HR R	1	SNA	B	
5.16-24	JC61-02408A	BUSH-2PR R	1	SNA	B	
5.16-25	JC61-02409A	BUSH-2PR L	1	SNA	B	
5.16-26	JC66-01699A	GEAR-FUSER	1	SA	B	
5.16-27	JC66-01078A	ROLLER-HEAT	1	SA	B	
5.16-28	JC66-01695A	LEVER-COVER OPEN	1	SNA	B	
5.16-29	JC66-01700A	LEVER-JAM L	1	SNA	B	
5.16-30	JC66-01701A	LEVER-JAM R	1	SNA	B	
5.16-31	JC66-01738A	LEVER-RELEASE L	1	SNA	B	
5.16-32	JC66-01742A	LEVER-RELEASE R	1	SNA	B	
5.16-33	JC66-01775A	ACTUATOR-EXIT FUSER	1	SNA	B	
5.16-34	JC66-01780A	ROLLER-PRESSURE	1	SA	A	
5.16-35	JC67-00280A	CAP-FUSER L	1	SNA	B	
5.16-36	JC67-00281A	CAP-FUSER R	1	SNA	B	
5.16-37	JC61-02411A	BUSH-TX	2	SNA	B	
5.16-38	JC66-01737A	SHAFT-CAM FUSER	1	SNA	B	

Fuser Unit Parts List

SA : SERVICE AVAILABLE, SNA : SERVICE not AVAILABLE

Drawer#	SEC_code	Description	QT'y	Service	Grade	Remark
5.16-39	6107-001290	SPRING-CS	1	SA	B	
5.16-40	JC61-01647A	HOLDER-M-SHAFT FUSER	1	SNA	A	
5.16-41	JC68-00407A	LABEL(R)-HV FUSER	1	SNA	B	
5.16-42	JC68-01134A	LABEL(P)-BLANK(FUSER)	1	SNA	B	
5.16-43	JC68-01581A	LABEL(P)-CAUTION HOT	2	SNA	B	
5.16-44	JC97-03034A	MEA-GUIDE PR	1	SNA	A	

5.17 Tank Waste Unit

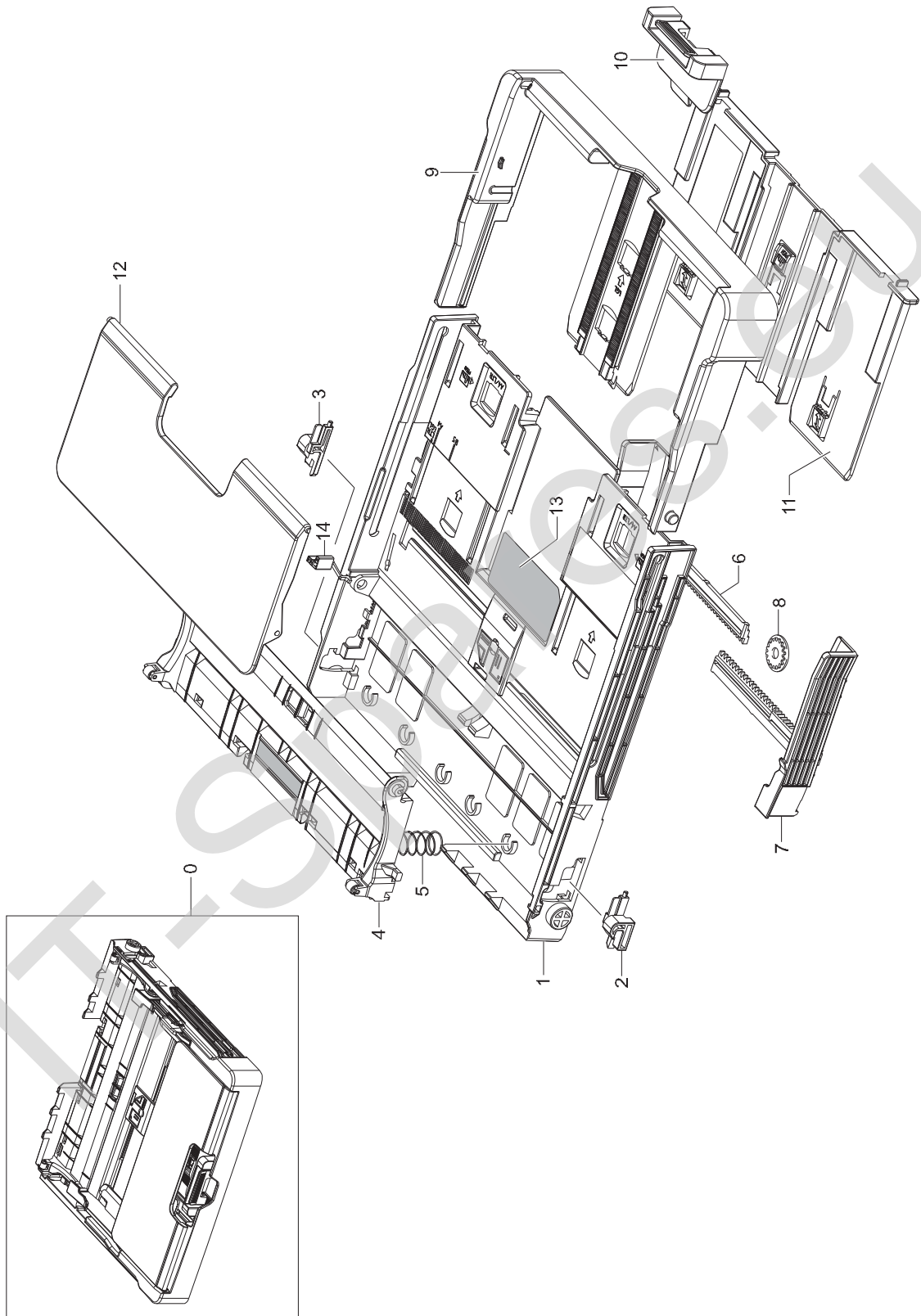


Tank Waste Unit Parts List

SA : SERVICE AVAILABLE, SNA : SERVICE not AVAILABLE

Drawer#	SEC_code	Description	QT'y	Service	Grade	Remark
5.17-0	JC97-03021A	MEA UNIT-TANK WASTE	1	SA	B	
5.17-1	JC61-02366A	GUIDE-WASTE	1	SNA	A	
5.17-2	JC62-00429A	SEAL-WASTE SIDE	2	SNA	A	
5.17-3	JC62-00430A	SEAL-WASTE SENSOR	1	SNA	A	
5.17-4	JC63-01672A	SHEET-WASTE	1	SNA	A	
5.17-5	JC67-00268A	TANK-WASTE UPPER	1	SNA	B	
5.17-6	JC67-00269A	TANK-WASTE LOWER	1	SNA	B	
5.17-7	JC67-00279A	CAP-WASTEBOTTLE	1	SNA	A	
5.17-8	JC68-01995A	LABEL-INFORMATION	1	SNA	A	

5.18 Cassette



Cassette Parts List

SA : SERVICE AVAILABLE, SNA : SERVICE not AVAILABLE

Drawer#	SEC_code	Description	QT'y	Service	Grade	Remark
5.18-0	JC97-03036A	MEA UNIT-CASSETTE	1	SA	B	3170
5.18-0	JC97-03036B	MEA UNIT-CASSETTE	1	SA	B	3175
5.18-1	JC61-02327A	FRAME-SEMI CASSETTE,Black	1	SNA	B	
5.18-1	JC61-02327B	FRAME-SEMI CASSETTE,Gray	1	SNA	B	
5.18-2	JC64-00222A	LOCKER-M-KNOCK UP R	1	SA	B	
5.18-3	JC64-00223A	LOCKER-M-KNOCK UP L	1	SA	B	
5.18-4	JC97-03040A	MEA UNIT-PLATE K_UP,Black	1	SA	B	
5.18-4	JC97-03040B	MEA UNIT-PLATE K_UP,Gray	1	SA	B	
5.18-5	6107-001504	SPRING-CS	2	SA	B	
5.18-6	JC70-00516A	ADJUST-M-CASSETTE R	1	SA	A	
5.18-7	JC70-00517A	ADJUST-M-CASSETTE L	1	SA	A	
5.18-8	JG66-40003A	GEAR-PINION	1	SA	B	
5.18-9	JC63-00869C	TRAY-EXTENSION SMALL	1	SNA	B	
5.18-10	JC61-01531A	STOPPER-M-PAPER REAR	1	SNA	A	
5.18-11	JC63-00872A	TRAY-EXT CASSETTE	1	SNA	A	
5.18-12	JC63-01668A	COVER-CST	1	SA	B	
5.18-13	JF68-10532B	LABEL(P)-BAR CODE	1	SNA	A	
5.18-14	JC61-02484A	STOPPER-ADJUSTER	1	SA	A	