

5. Exploded Views and Parts List

Contents

5.1	Main	5-2	5.8	Main Driver	5-21
5.2	Middle Cover	5-4		Main Driver(Continued)	5-22
5.3.1	Rear Cover	5-6	5.9	LSU Cover	5-25
5.3.2	Transfer Unit	5-8	5.10	ITB Unit	5-27
5.4	Cover Unit	5-10	5.11.1	OPC DEVE	5-30
5.5	OPE	5-12	5.11.2	DEVE Main Set	5-32
5.6	Scan Ass'y	5-14	5.12	Toner Tank(C, M, Y)	5-34
5.7	Frame Assembly	5-16	5.13	Toner Tank(K)	5-36
	Frame Assembly(Continued)	5-17	5.14	Fuser Ass'y	5-38
			5.15	Cassette	5-40

DIGITAL LASER MFP

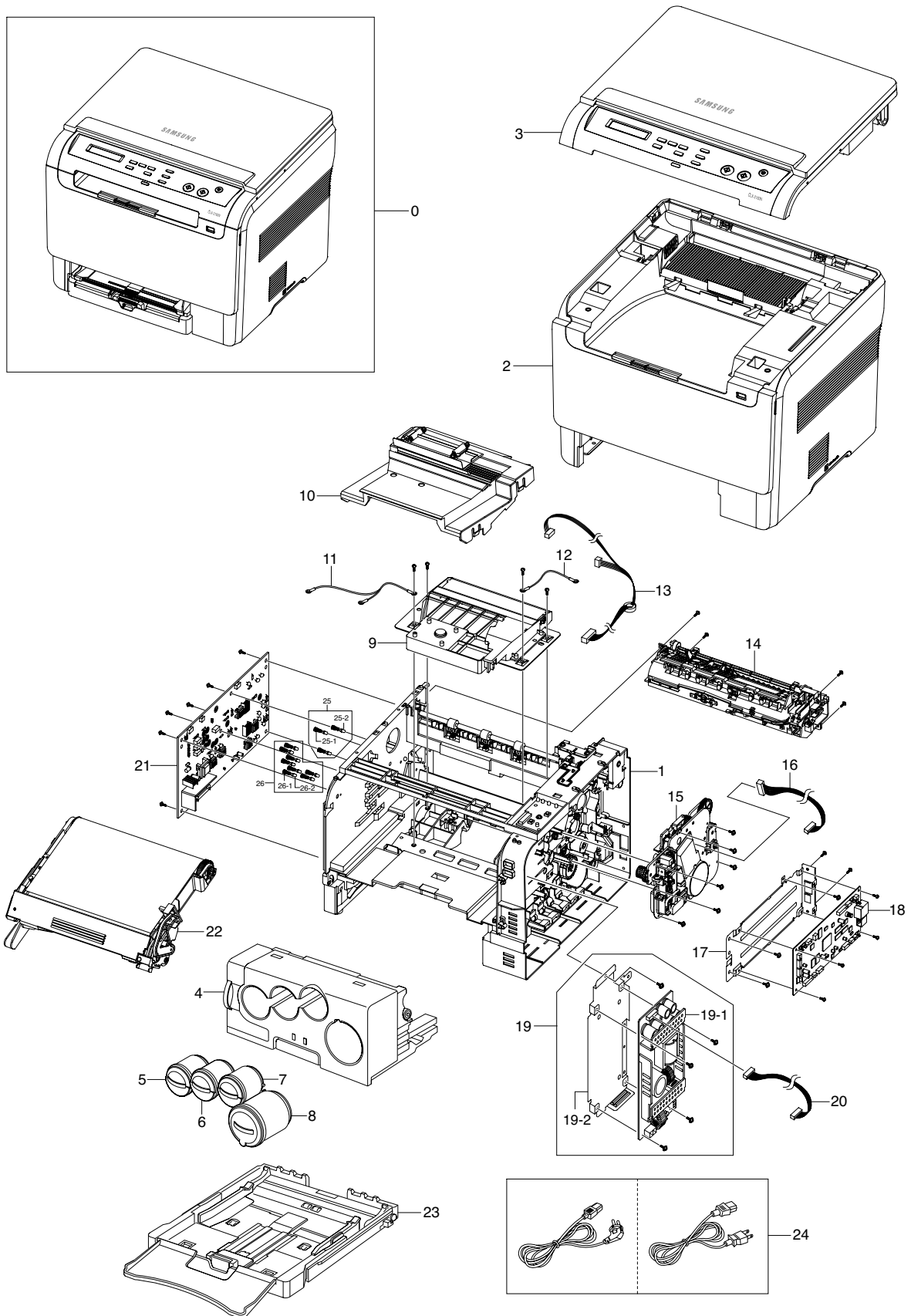


The keynote of Product

The Smallest Color Laser MFP (SOHO & Personal)

- 1) Model :
 - CLX-2160N(print/scan/copy/N/W)
 - CLX-2160(print/scan/copy)
- 2) Print Speed : 16/4 ppm /A4
- 3) Resolutuion : 2,400 x 600 dpi
- 4) Engine : CHORUSm, 300 MHz
- 5) Memory : 128 MB(Not Expandable)
- 6) Emulation : GDI, GDI & N/W
- 7) Cassette : 150 CST
- 8) Consumable : 2K/1K Toner
- 9) Special feature :
 - ID Copy Button
 - USB Memory Printing
 - PictBridge
- 10) Option :
 - Not Available SCF and ADF
- 11) Machine Life : 200,000 images

5.1 Main

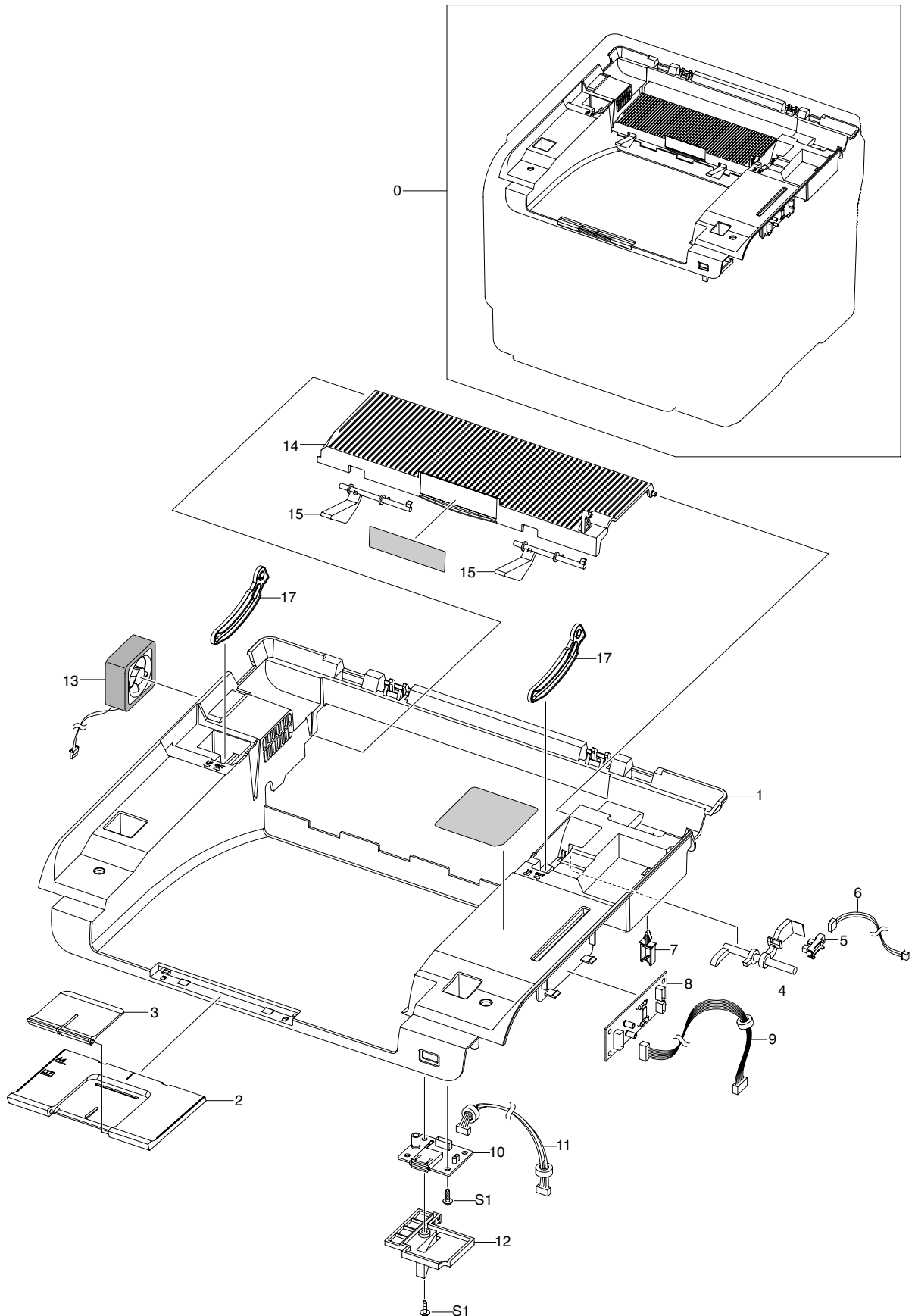


Main Parts List

SA : SERVICE AVAILABLE, SNA : SERVICE not AVAILABLE

Drawer#	SEC_Code	Description	QT'y	Service	Remark
5.1-0	CLX-2160N	A4 Color MFP	-	SNA	
5.1-0	CLX-2160	Network, A4 Color MFP	-	SNA	
5.1-1	JC97-02964A	MEA UNIT-FRAME	1	SNA	
5.1-2	JC97-02969B	MEA UNIT-COVER	1	SNA	CLX-2160N
5.1-2	JC97-02969A	MEA UNIT-COVER	1	SNA	CLX-2160
5.1-3	JC96-04593A	ELA UNIT-SCANNER	1	SA	CLX-2160N
5.1-3	JC96-04588A	ELA UNIT-SCANNER	1	SA	CLX-2160
5.1-4	JC96-03610F	ELA UNIT-OPC DEV_SET	1	SA	220V
5.1-4	JC96-03610A	ELA UNIT-OPC DEV_SET	1	SA	110V
5.1-5	JC96-03615A	ELA UNIT-TONER TANK C	1	SA	
5.1-6	JC96-03614A	ELA UNIT-TONER TANK M	1	SA	
5.1-7	JC96-03613A	ELA UNIT-TONER TANK Y	1	SA	
5.1-8	JC96-03616A	ELA UNIT-TONER TANK K	1	SA	
5.1-9	JC97-02656A	MEA UNIT-COVER LSU	1	SA	
5.1-10	JC59-00018E	UNIT-LSU	1	SA	
5.1-11	JC39-00579A	CBF HARNESS-LSU_S/W	1	SA	
5.1-12	JC39-00496A	CBF HARNESS-LSU_GND	1	SA	
5.1-13	JC39-00483A	CBF HARNESS-LSU	1	SA	
5.1-14	JC96-03609A	ELA UNIT-FUSER 220V	1	SA	220V
5.1-14	JC96-03609B	ELA UNIT-FUSER 110V	1	SA	110V
5.1-15	JC96-03608A	ELA UNIT-DRIVE MAIN	1	SA	
5.1-16	JC39-00486A	CBF HARNESS-BLDC	1	SA	
5.1-17	JC63-00863A	SHIELD-P-MAIN LOWER	1	SA	
5.1-18	JC92-01907A	PBA MAIN-CONT_N	1	SA	CLX-2160N
5.1-18	JC92-01907B	PBA MAIN-CONTROLLER	1	SA	CLX-2160
5.1-19	Not Assign	SMPS ASSY	1	SNA	
5.1-19-1	JC44-00096A	SMPS-PSP_TYPE2_V2C	1	SA	220V
5.1-19-1	JC44-00095A	SMPS-PSP_TYPE2_V1	1	SA	110V
5.1-19-2	JC63-01259A	SHIELD-SMPS	1	SNA	
5.1-20	JC39-00670A	HARNESS-SMPS	1	SA	
5.1-21	JC44-00138A	HVPS	1	SA	
5.1-22	JC96-03611A	ELA UNIT-ITB_SET	1	SA	
5.1-23	JC97-02332A	MEA-UNIT CASSETTE	1	SA	
5.1-24	3903-000042	CBF-POWER CORD	1	SA	220V
5.1-24	3903-000085	CBF-POWER CORD	1	SA	110V
5.1-25	JC97-01401A	MEA UNIT-TERMINAL	3	SA	
5.1-25-1	JC61-70929A	SPRING ETC-HV LARGE	1	SA	
5.1-25-2	JC70-40912A	ICT-SHAFT HV LARGE	1	SA	
5.1-26	JC97-01771A	MEA UNIT-TERMINAL S	8	SA	
5.1-26-1	JC61-70929A	SPRING ETC-HV LARGE	1	SA	
5.1-26-2	JC70-00050A	IPR-TERMINAL	1	SNA	

5.2 Middle Cover

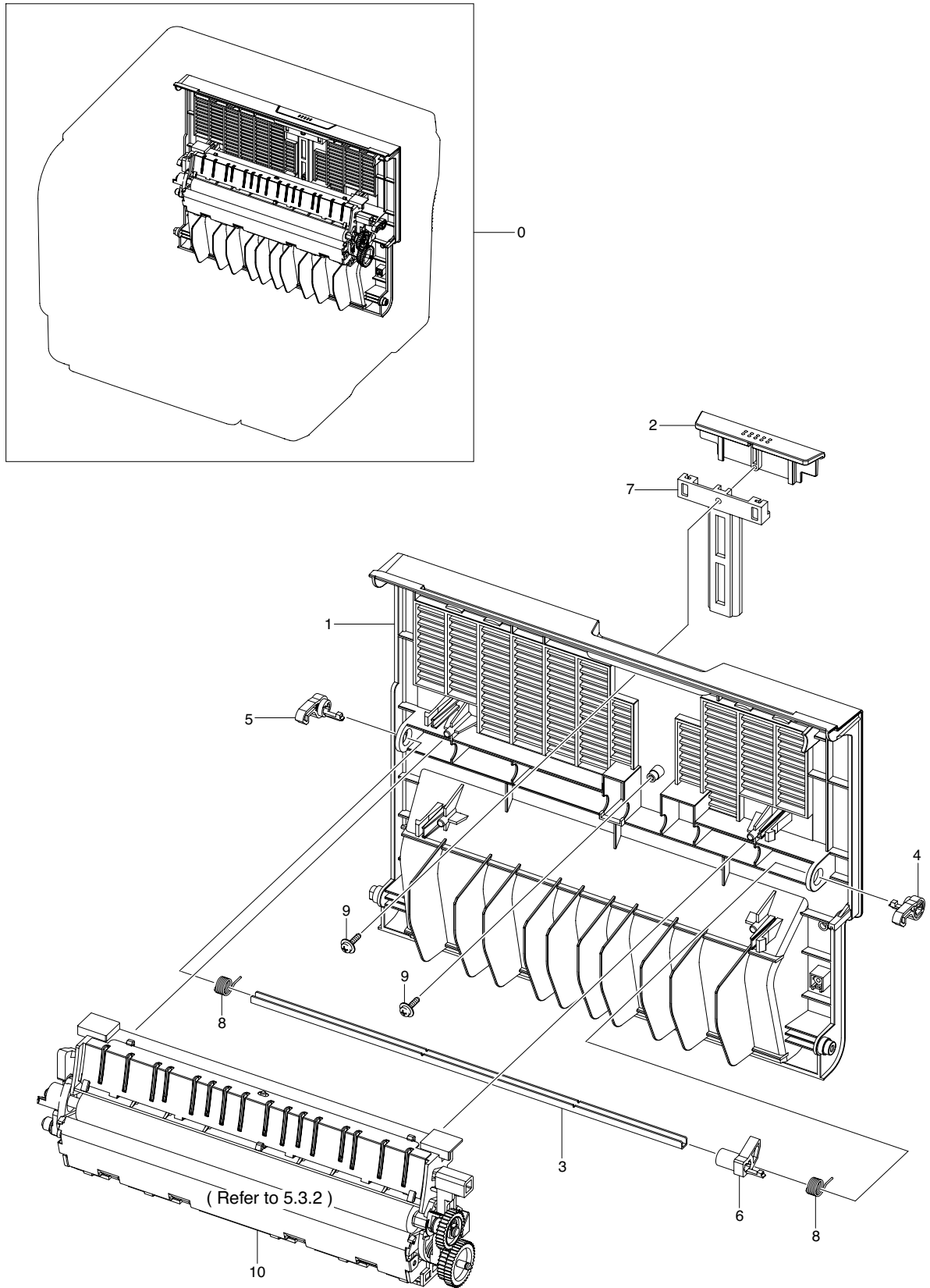


Middle Cover Parts List

SA : SERVICE AVAILABLE, SNA : SERVICE not AVAILABLE

Drawer#	SEC_Code	Description	QT'y	Service	Remark
5.2-0	JC97-02965A	MEA UNIT-COVER_MIDDLE	1	SA	
5.2-1	JC63-01340A	COVER-MIDDLE	1	SA	
5.2-2	JC63-01348A	TRAY-ASF_OUTPUT	1	SA	
5.2-3	JC61-01645A	STACKER-M-SMALL	1	SA	
5.2-4	JC66-01427A	ACTUATOR-OUTFULL	1	SA	
5.2-5	0604-001095	PHOTO-INTERRUPTER	1	SA	
5.2-6	JC39-00755A	HARNESS-BIN_FULL	1	SA	
5.2-7	6502-001093	CABLE CLAMP	1	SA	
5.2-8	JC92-01910A	PBA SUB-SCAN_JOINT	1	SA	
5.2-9	JC39-00758A	HARNESS-SCAN_JOINT	1	SA	
5.2-10	JC92-01636A	PBA SUB-USB HOST	1	SA	
5.2-11	JC39-00757A	HARNESS-USB_HOST	1	SA	
5.2-12	JC67-00232A	CAP-USB	1	SA	
5.2-13	JC31-00027C	FAN	1	SA	
5.2-14	JC63-01342A	COVER-JAM	1	SA	
5.2-15	JC66-01426A	ACTUATOR-STACKER	2	SA	
5.2-17	JC61-01956A	STOPPER-SCAN	2	SA	
5.2-S1	6003-000196	SCREW-TAPTITE	2	SA	

5.3.1 Rear Cover

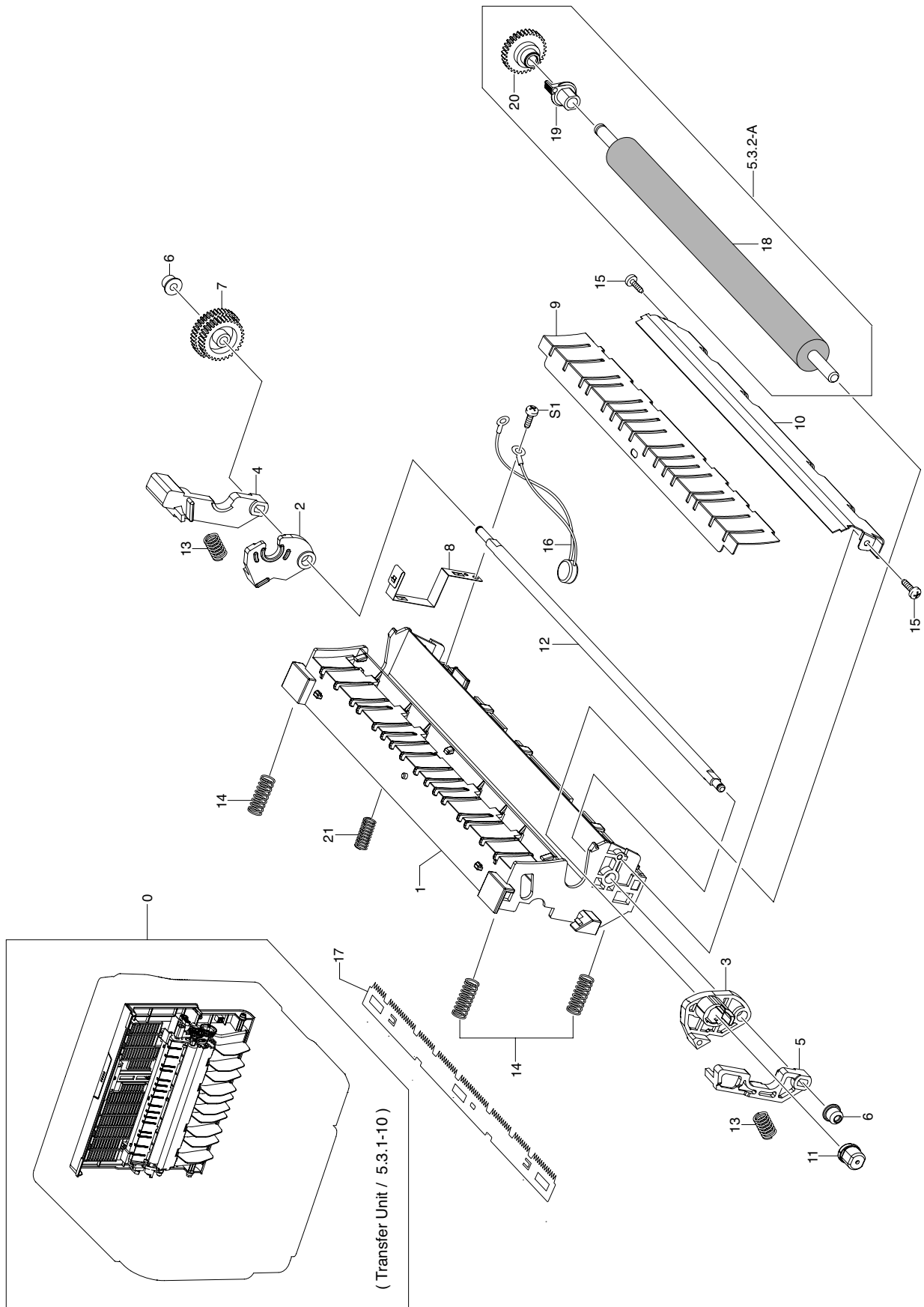


Rear Cover Parts List

SA : SERVICE AVAILABLE, SNA : SERVICE not AVAILABLE

Drawer#	SEC_Code	Description	QT'y	Service	Remark
5.3.1-0	JC97-02440A	MEA UNIT-COVER REAR	1	SA	
5.3.1-1	JC63-00844A	COVER-M-REAR	1	SA	
5.3.1-2	JC64-00215A	BUTTON-M-OPEN REAR	1	SA	
5.3.1-3	JC66-01089A	SHAFT-P-LOCKBAR REAR	1	SA	
5.3.1-4	JC61-01461A	HOLDER-M-HOOK REAR R	1	SA	
5.3.1-5	JC61-01456A	HOLDER-M-HOOK REAR L	1	SA	
5.3.1-6	JC61-01462A	HOLDER-M-HOOK REAR C	1	SA	
5.3.1-7	JC66-01071A	LEVER-M-REAR LOCK	1	SA	
5.3.1-8	6107-001268	SPRING-TS	2	SA	
5.3.1-9	6002-000440	SCREW-TAPPING	2	SA	
5.3.1-10	JC96-03990A	ELA UNIT-TRANSFER	1	SA	

5.3.2 Transfer Unit

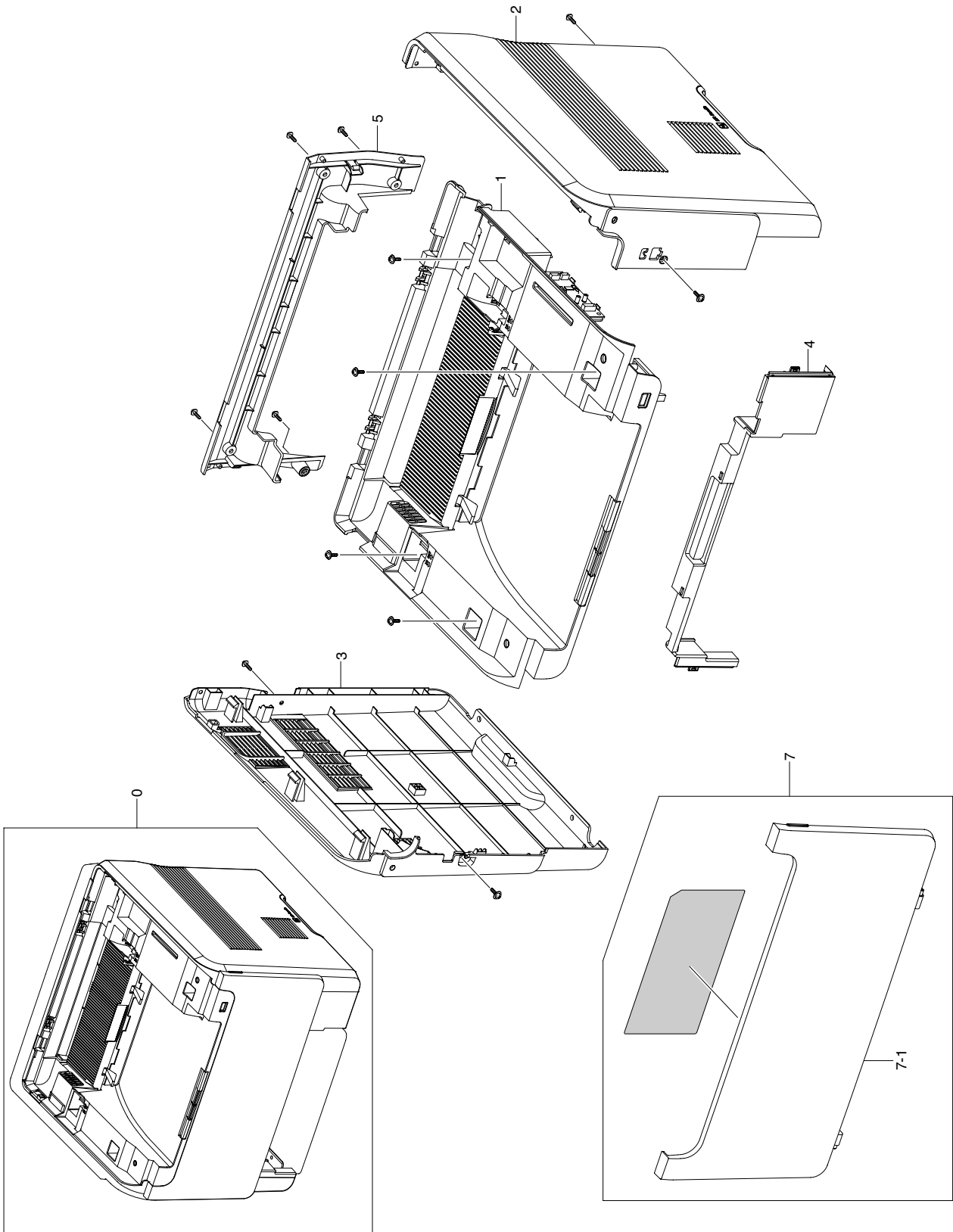


Transfer Unit Parts List

SA : SERVICE AVAILABLE, SNA : SERVICE not AVAILABLE

Drawer#	SEC_Code	Description	QT'y	Service	Remark
5.3.2-0	JC96-03990A	ELA UNIT-TRANSFER	1	SA	
5.3.2-1	JC61-01466A	FRAME-M-T2 BASE	1	SNA	
5.3.2-2	JC66-01121A	LEVER-M-T2 HOLDER R	1	SNA	
5.3.2-3	JC66-01122A	LEVER-M-T2 HOLDER L	1	SNA	
5.3.2-4	JC66-01074A	LEVER-M-RELEASE R	1	SNA	
5.3.2-5	JC66-01075A	LEVER-M-RELEASE L	1	SNA	
5.3.2-6	JC61-01469A	HOLDER-M-LOCATE SHAFT	2	SNA	
5.3.2-7	JC66-01081A	GEAR-RDCN T2 DRIVE	1	SNA	
5.3.2-8	JC61-01467A	PLATE-P-T2 GROUND	1	SNA	
5.3.2-9	JC61-01468A	GUIDE-P-T2 OUTPUT	1	SNA	
5.3.2-10	JC61-01470A	GUIDE-P-T2 INPUT	1	SNA	
5.3.2-11	JC61-01543A	BUSH-CHARGE LEFT	1	SNA	
5.3.2-12	JC66-01072A	SHAFT-LOCATE	1	SNA	
5.3.2-13	6107-001290	SPRING-CS	2	SNA	
5.3.2-14	6107-001278	SPRING-CS	3	SNA	
5.3.2-16	JC39-00036A	CBF HARNESS-OPE GND	1	SNA	
5.3.2-17	JC70-10232A	IPR-PLATE SAW	1	SNA	
5.3.2-18	JC66-01104A	ROLLER-TRANSFER	1	SNA	
5.3.2-19	JC61-01471A	HOLDER-M-T2 ROLLER R	1	SNA	
5.3.2-20	JC66-01073A	GEAR-T2 ROLLER	1	SNA	
5.3.2-21	6107-001246	SPRING-CS	1	SNA	
5.3.2-A	JC97-02628A	MEA UNIT-T2 ROLLER	1	SA	
5.3.2-S1	6003-000282	SCREW-TAPTITE	3	SA	

5.4 Cover Unit

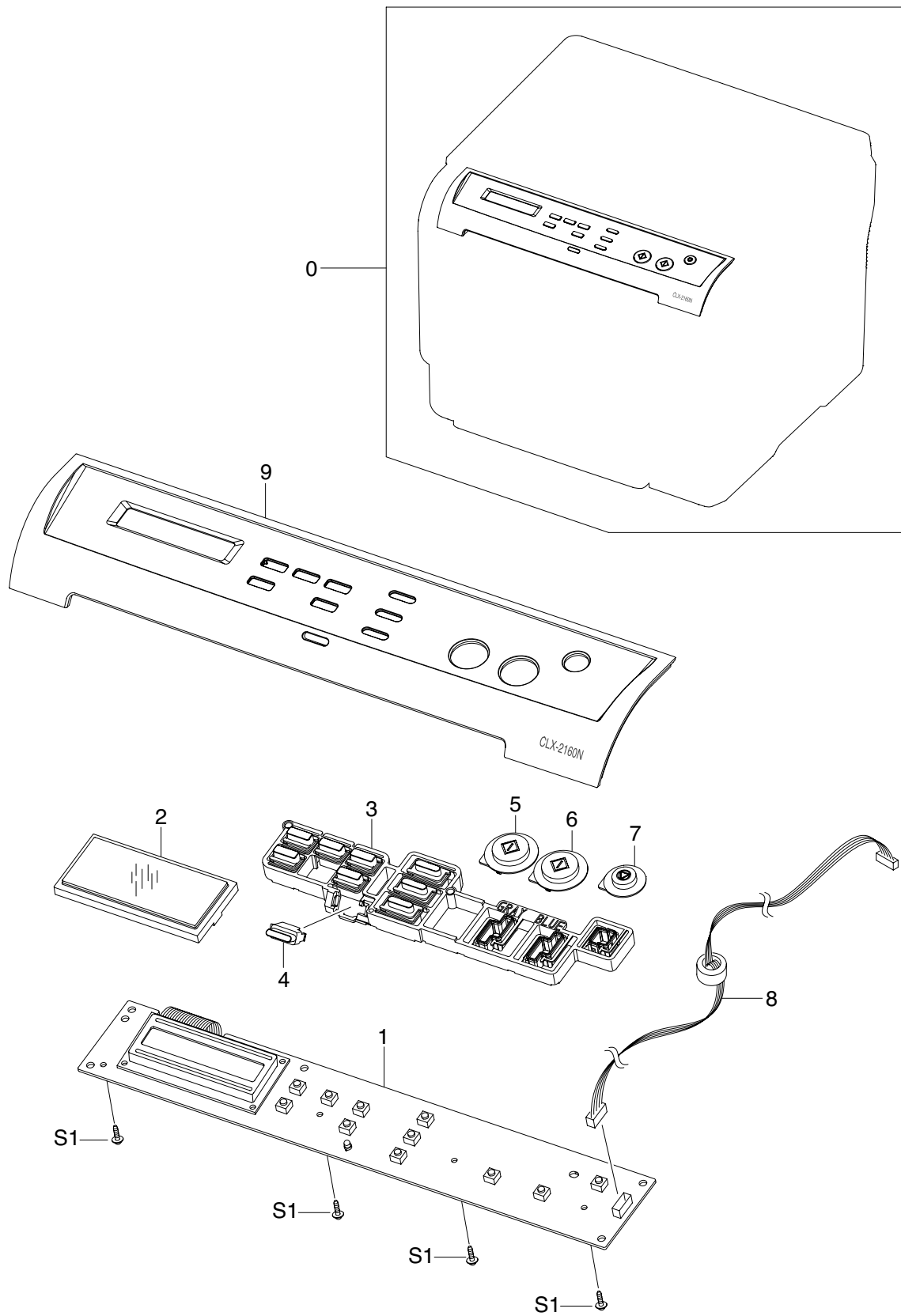


Cover Unit Parts List

SA : SERVICE AVAILABLE, SNA : SERVICE not AVAILABLE

Drawer#	SEC_Code	Description	QT'y	Service	Remark
5.4-0	JC97-02969B	MEA UNIT-COVER	1	SNA	CLX-2160N
5.4-0	JC97-02969A	MEA UNIT-COVER	1	SNA	CLX-2160
5.4-2	JC63-01338B	COVER-RIGHT	1	SA	CLX-2160N
5.4-2	JC63-01338A	COVER-RIGHT	1	SA	CLX-2160
5.4-3	JC63-01337A	COVER-LEFT	1	SA	
5.4-5	JC63-01339A	COVER-DUMMY-REAR	1	SA	
5.4-5	JC63-01346A	COVER-DUMMY-FRONT	1	SA	
5.4-7	JC97-02966A	MEA UNIT-COVER_FRONT	1	SA	
5.4-7-1	JC63-01336A	COVER-FRONT	1	SA	

5.5 OPE

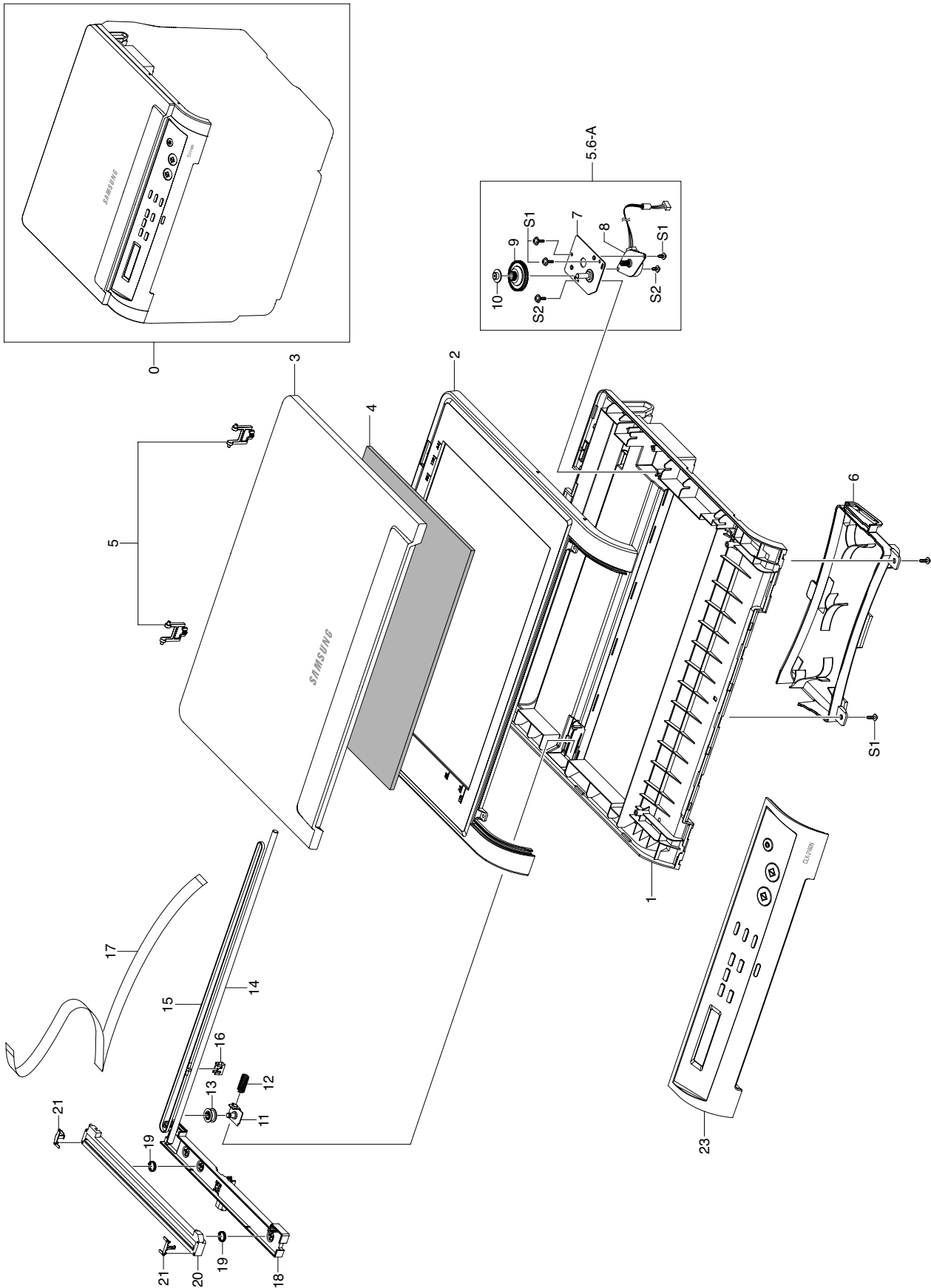


OPE Parts List

SA : SERVICE AVAILABLE, SNA : SERVICE not AVAILABLE

Drawer#	SEC_Code	Description	QT'y	Service	Remark
5.5-0	JC96-04592A	ELA UNIT-COVER_OPE	1	SA	CLX-2160N
5.5-0	JC96-04589A	ELA UNIT-COVER_OPE	1	SA	CLX-2160
5.5-1	JC92-01909A	PBA SUB-OPE	1	SA	
5.5-2	JC67-00155A	CAP-M-LCD	1	SA	
5.5-3	JC64-00315A	KEY-MENU	1	SA	
5.5-4	JC67-00227A	CAP-LED	1	SA	
5.5-5	JC64-00255B	KEY-START_BLACK	1	SA	
5.5-6	JC64-00255A	KEY-M-START	1	SA	
5.5-7	JC64-00256A	KEY-M-STOP	1	SA	
5.5-8	JC39-00759A	HARNESS-OPE	1	SA	
5.5-9	JC63-01440A	COVER-PANEL	1	SA	CLX-2160N
5.5-9	JC63-01345A	COVER-PANEL	1	SA	CLX-2160
5.5-S1	6003-000196	SCREW-TAPTITE	4	SA	

5.6 Scan Ass'y

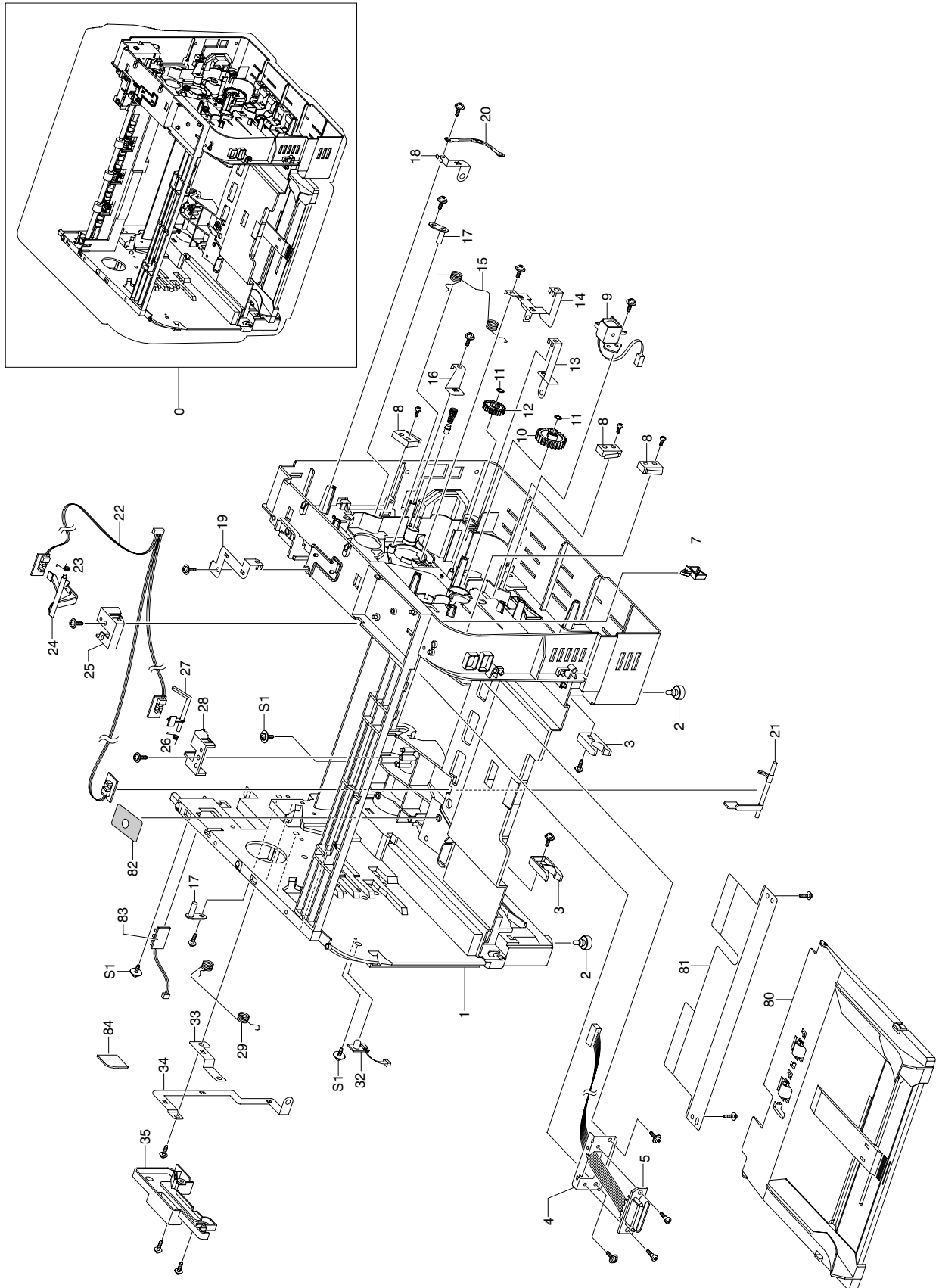


Scan Ass'y Parts List

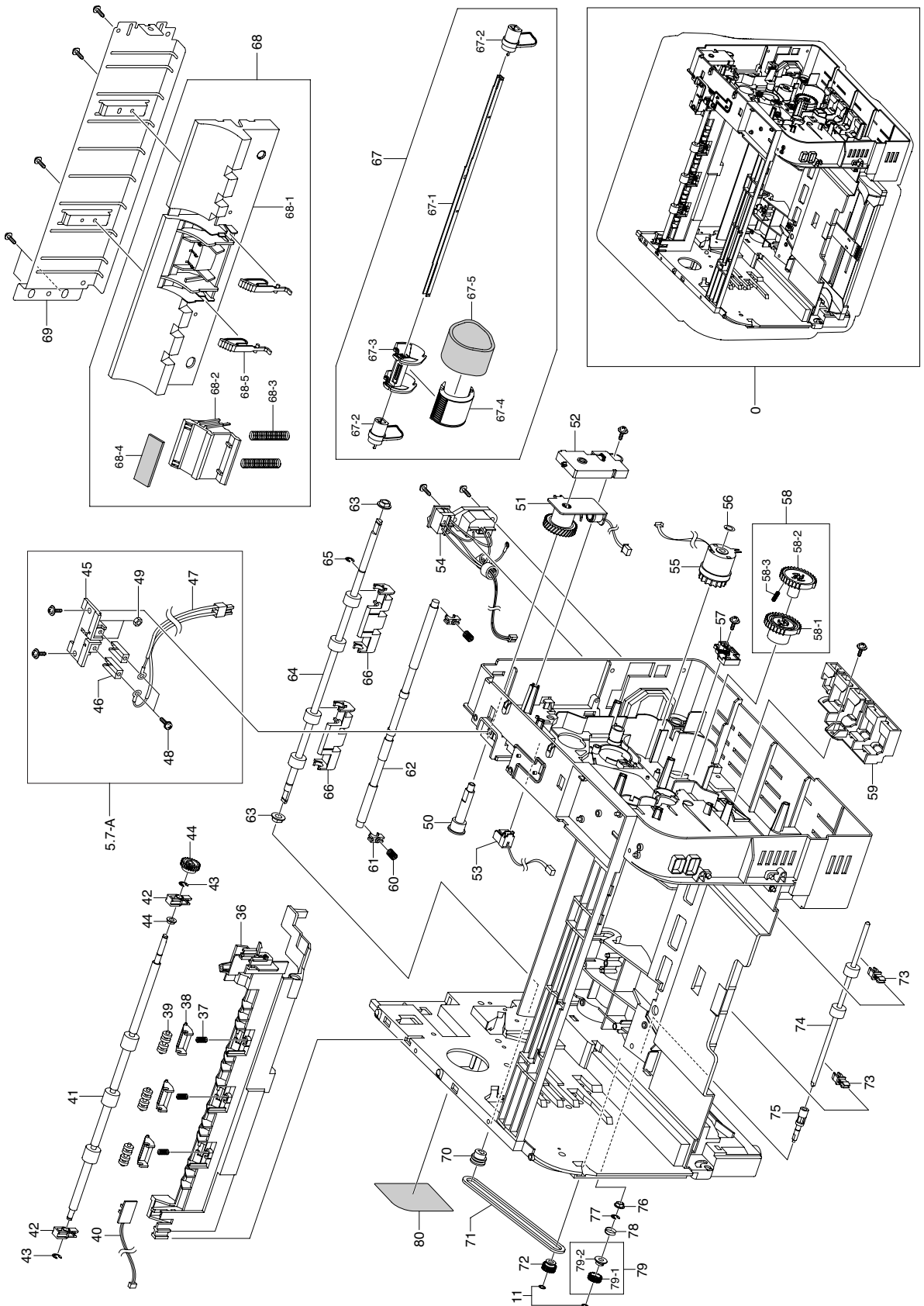
SA : SERVICE AVAILABLE, SNA : SERVICE not AVAILABLE

Drawer#	SEC_Code	Description	QT'y	Service	Remark
5.6-0	JC96-04593A	ELA UNIT-SCANNER	1	SA	CLX-2160N
5.6-0	JC96-04588A	ELA UNIT-SCANNER	1	SA	CLX-2160
5.6-1	JC97-02972A	MEA UNIT-SCAN_LOWER	1	SA	
5.6-1	JC63-01341A	COVER-SCAN-LOWER	1	SA	
5.6-2	JC97-02967A	MEA UNIT-SCAN_UPPER	1	SA	
5.6-3	JC97-02971A	MEA UNIT-COVER_PLATEN	1	SA	
5.6-4	JC63-00209B	SHEET-WHITE SPONGE	1	SA	
5.6-5	JC61-00929A	HINGE-M_PIVOT	2	SNA	
5.6-7	JC61-01640A	BRACKET MOTOR-P-SCAN	1	SA	
5.6-8	JC31-00049A	MOTOR STEP-SCAN	1	SA	
5.6-9	JC66-01201A	GEAR-M_PULLEY	1	SA	
5.6-10	JC67-00069A	CAP-M-PULLEY	1	SA	
5.6-11	JC61-00931A	BRACKET-P-PULLEY	1	SNA	
5.6-12	6107-001194	SPRING-CS	1	SA	
5.6-13	JC66-00713A	PULLEY-M_IDLE	1	SNA	
5.6-14	JC66-00718A	SHAFT-CIS	1	SNA	
5.6-15	6602-001261	BELT-TIMING GEAR	1	SA	
5.6-16	JB61-00232A	CLIP-P-BELT	1	SA	
5.6-17	JC39-00756A	HARNES-CIS_FFC	1	SA	
5.6-18	JC61-01646A	BRACKET-M-CIS	1	SA	
5.6-19	6107-001137	SPRING-CS	2	SNA	
5.6-20	0609-001287	CONTACT IMAGE SENSOR	1	SNA	
5.6-21	JC66-01580A	SLIDER-CIS	1	SA	
5.6-A	JC96-03834A	ELA UNIT-SCAN DRIVE	1	SA	
5.6-S1	6003-000196	SCREW-TAPTITE	5	SA	
5.6-S2	6003-000269	SCREW-TAPTITE	2	SA	

5.7 Frame Assembly



Frame Assembly(Continued)



Frame Assembly Parts List

SA : SERVICE AVAILABLE, SNA : SERVICE not AVAILABLE

Drawer#	SEC_Code	Description	QT'y	Service	Remark
5.7-0	JC97-02964A	MEA UNIT-FRAME	1	SNA	
5.7-1	JC61-01443A	FRAME-M BASE GOGH	1	SNA	
5.7-2	JC61-40001A	FOOT-ML80	2	SA	
5.7-3	JC66-00050A	CAM-CATCH	2	SA	
5.7-4	JC61-01521A	PLATE-P-DRAW CONNECTOR	1	SNA	
5.7-5	JC39-00488A	CBF HARNESS-MAIN_DRAW	1	SA	
5.7-6	JC33-00015C	SOLENOID-PICK UP	1	SA	
5.7-7	6502-001093	CABLE CLAMP	1	SA	
5.7-8	JC39-00498A	CBF-HARNESS COVER SW	1	SA	
5.7-10	JC66-01056A	GEAR-REGI DRIVE	1	SA	
5.7-11	6044-000001	RING-CS	2	SNA	
5.7-12	JC66-00346A	GEAR-MP/DUP DRV	1	SA	
5.7-13	JC61-01483A	PLATE-P-GROUND LSU	1	SNA	
5.7-14	JC61-01485A	PLATE-P-GROUND REGI	1	SNA	
5.7-15	JC61-01547A	SPRING ETC-OPC LOCK R	1	SA	
5.7-16	JC61-01484A	PLATE-P-GROUND T2	1	SNA	
5.7-17	JC61-01537A	PLATE-P-SHAFT LACK	2	SNA	
5.7-18	JC61-01482A	PLATE-P-GROUND FUSER	1	SNA	
5.7-19	JC61-01489A	PLATE-P-GROUND EXIT	1	SNA	
5.7-20	JC39-00302A	CBF HARNESS-100M_GND	1	SA	
5.7-22	JC96-04021A	ELA HOU-REGI_EMP_MP	1	SA	
5.7-23	JB61-00076A	SPRING ETC-TORSION DOC (CC2-F)	1	SA	
5.7-24	JC66-01119A	LEVER-M-ACTUATOR EMPTY	1	SA	
5.7-25	JC61-01481A	HOLDER-M-ACTUATOR EMPTY	1	SNA	
5.7-26	JC61-00018A	SPRING ETC-SENSOR	1	SNA	
5.7-27	JC66-01133A	LEVER-M-ACTUATOR FEED	1	SNA	
5.7-28	JC61-01480A	HOLDER-M-ACTUATOR FEED	1	SNA	
5.7-29	JC61-01546A	SPRING ETC-OPC LOCK L	1	SA	
5.7-32	JC92-01723A	PBA SUB-WASTE_T	1	SA	
5.7-33	JC61-01451A	PLATE-P-GROUND OPC L	1	SNA	
5.7-34	JC61-01486A	PLATE-P-GROUND PICKUP	1	SNA	
5.7-35	JC63-00854A	COVER-M-GROUND OPC	1	SNA	
5.7-36	JC61-01477A	FRAME-M-EXIT	1	SNA	
5.7-37	6107-001163	SPRING-CS	3	SA	
5.7-38	JC61-01568A	HOLDER-M-EXIT F DOWN	3	SNA	
5.7-39	JC66-01149A	ROLLER-EXIT MAIN	3	SA	
5.7-40	JC92-01718A	PBA SUB-EXIT	1	SA	
5.7-41	JC66-01040A	ROLLER-EXIT F DOWN	1	SNA	
5.7-42	JC61-00829B	HOLDER-BEARING EXIT F/DOWN	2	SA	
5.7-43	6044-000159	RING-C	2	SA	
5.7-44	JC61-00424A	BUSH-4	1	SA	
5.7-45	JC72-41010A	PMO-HOUSING TERMINAL	1	SA	
5.7-46	JC70-10961A	IPR-TERMINAL FU	2	SA	
5.7-47	JC39-00581A	CBF HARNESS-FUSER AC	1	SA	

Frame Assembly Parts List

SA : SERVICE AVAILABLE, SNA : SERVICE not AVAILABLE

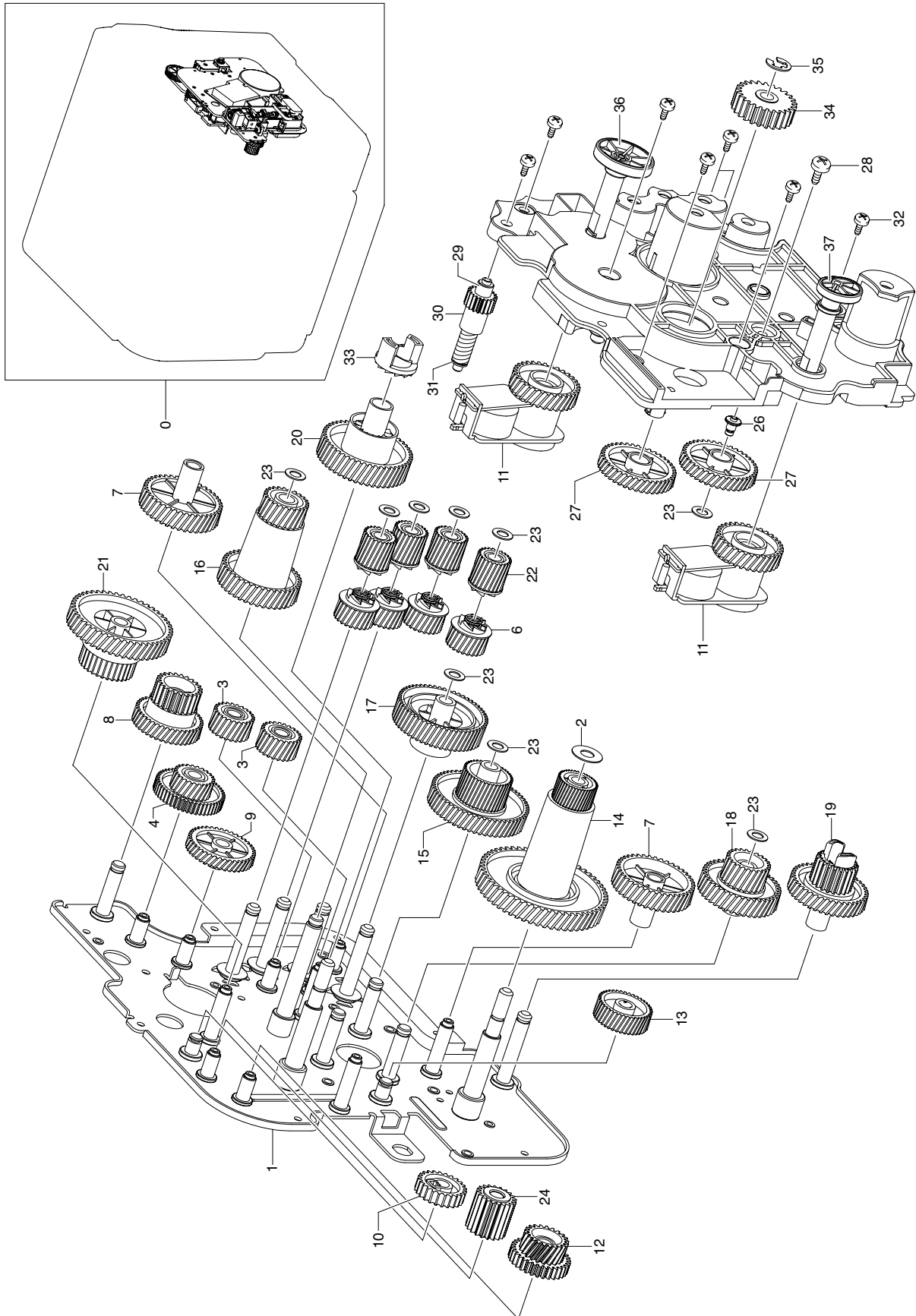
Drawer#	SEC_Code	Description	QT'y	Service	Remark
5.7-48	6006-000127	SCREW-MACHINE	2	SA	
5.7-49	6021-000222	NUT-HEXAGON	2	SNA	
5.7-50	JC66-01207A	SHAFT-M-CLUTCH FUSER	1	SA	
5.7-51	JC47-00014A	MEP-CLUTCH CAM	1	SA	
5.7-52	JC61-01566A	HOLDER-M-CLUTCH FUSER	1	SNA	
5.7-53	JC39-00498A	CBF HARNESS-COVER S/W	1	SA	
5.7-54	JC39-00497A	CBF HARNESS-INLET	1	SA	
5.7-55	JC47-00009C	MEP-CLUTCH REGI	1	SA	
5.7-56	6031-001255	WASHER-PLAIN	1	SA	
5.7-58	JC97-02688A	MEA UNIT-PICK UP GEAR	1	SA	
5.7-58-1	JC66-01076A	GEAR-PICK UP A	1	SA	
5.7-58-2	JC66-01077A	GEAR-PICK UP B	1	SA	
5.7-58-3	6107-001167	SPRING-CS	1	SA	
5.7-59	JC61-01478A	GUIDE-M-HARNESS	1	SNA	
5.7-60	JC61-70911A	SPRING ETC-EXIT ROLL FD	2	SA	
5.7-61	JC61-01548A	HOLDER-M-CAM	1	SNA	
5.7-62	JC66-01120A	SHAFT-FEED IDLE	1	SNA	
5.7-63	JC61-00699A	BUSH-D6/L4	2	SA	
5.7-64	JC66-01307A	ROLLER-REGI	1	SNA	
5.7-65	6044-000125	RING-E	2	SA	
5.7-66	JC61-01570A	GURDE-M-PAPER	2	SNA	
5.7-67	JC97-02647A	MEA UNIT-PICKUP ROLL	1	SA	
5.7-67-1	JC66-01080A	SHAFT-P-PICKUP	1	SNA	
5.7-67-2	JC66-01105A	CAM-M-PICK UP	2	SNA	
5.7-67-3	JC61-01151A	HOUSING-M-PICK_U	1	SA	
5.7-67-4	JC61-01173A	HOUSING-M-PICK_UP B	1	SA	
5.7-67-5	JC73-00211A	RUBBER-PICK_UP	1	SA	
5.7-68-1	JC61-01473A	GUIDE-M-PICK UP	1	SNA	
5.7-68-2	JC61-01538A	HOLDER-M-PAD	1	SNA	
5.7-68-3	JC61-70911A	SPRING ETC -EXIT ROLL FD	2	SA	
5.7-68-4	JC69-00961A	PAD-FRICTION	1	SA	
5.7-68-5	JC66-00815A	LEVER-M-KICKER P/U	2	SA	
5.7-69	JC61-01533A	PLATE-P-PICK UP	1	SNA	
5.7-70	JC66-01216A	PULLEY-P PICKUP	1	SNA	
5.7-71	6602-001528	BELT-FLAT RUBBER	1	SA	
5.7-72	JC66-01217A	PULLEY-M REGI	1	SNA	
5.7-73	JC72-00382B	PMO-BUSHING FEED	2	SA	
5.7-74	JC66-00598A	ROLLER-FEED	1	SA	
5.7-75	JC66-01213A	SHAFT-M-FEED	1	SNA	
5.7-77	6044-000001	RING-CS	2	SNA	
5.7-79-1	JC66-01212A	GEAR-FEED	1	SNA	
5.7-79-2	JC61-01667A	BUSH-M CLUTCH	1	SNA	
5.7-80	JC97-02685A	MEA UNIT-MP	1	SA	

Frame Assembly Parts List

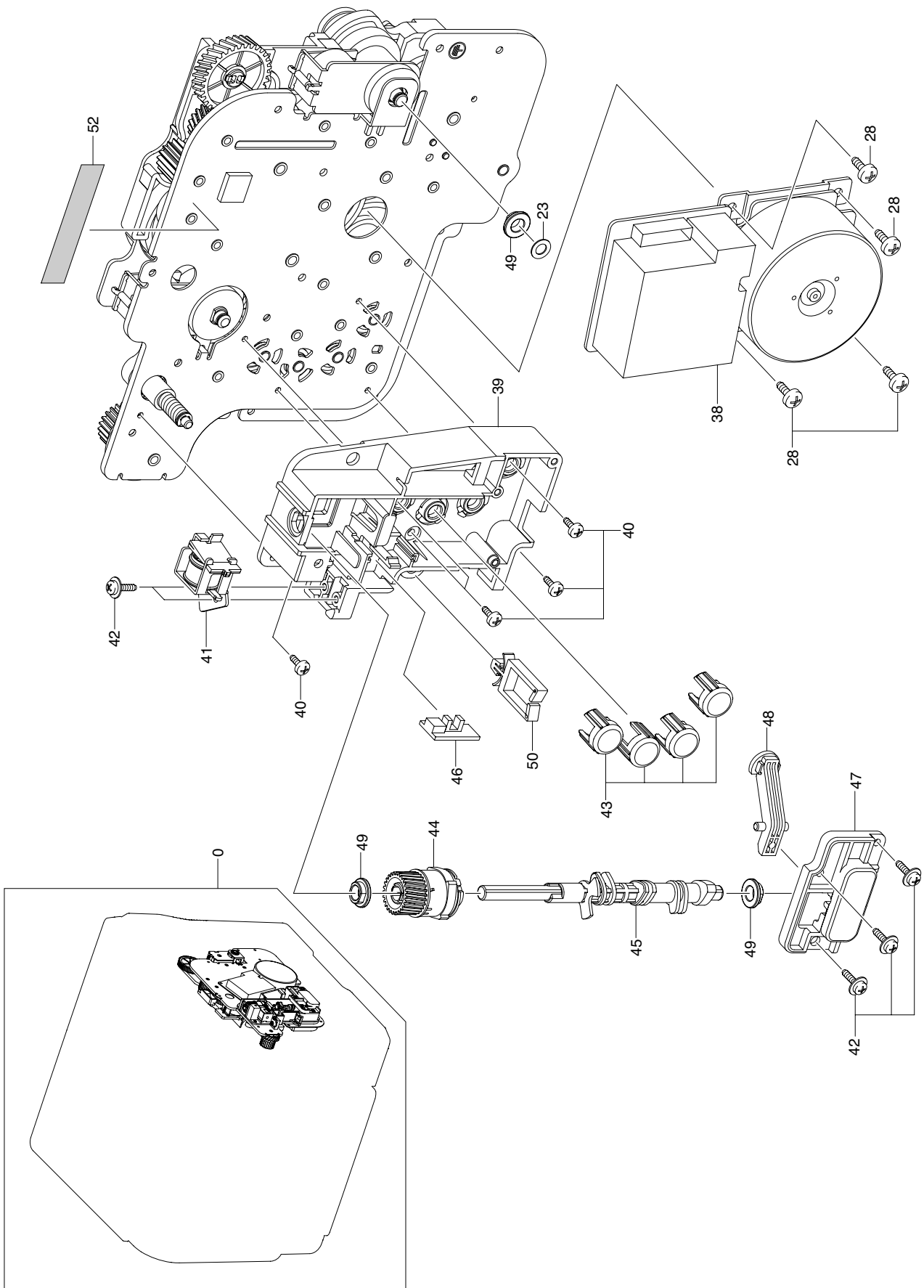
SA : SERVICE AVAILABLE, SNA : SERVICE not AVAILABLE

Drawer#	SEC_Code	Description	QT'y	Service	Remark
5.7-81	JC63-01147A	SHEET-MANUAL	1	SA	
5.7-82	JC63-01166A	SHEET-MP-SENSOR	1	SNA	
5.7-84	JC63-01149A	SHEET-REGI	1	SA	
5.7-A	JC97-02639A	MEA UNIT-FU TERMINAL	1	SA	

5.8 Main Driver



Main Driver(Continued)



Main Driver Parts List

SA : SERVICE AVAILABLE, SNA : SERVICE not AVAILABLE

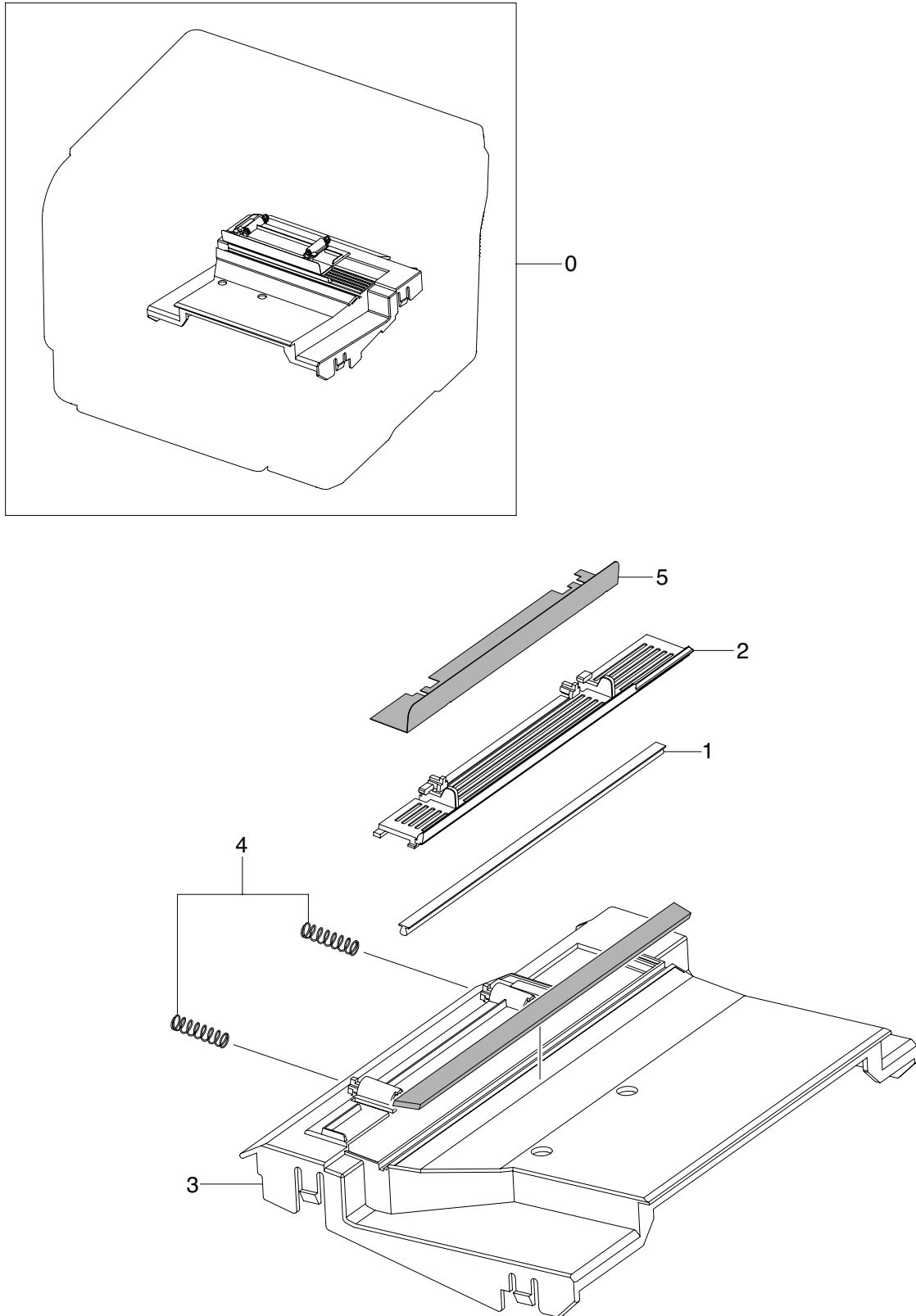
Drawer#	SEC_Code	Description	QT'y	Service	Remark
5.8-0	JC96-03608A	ELA UNIT-DRIVE MAIN	1	SA	
5.8-1	JC61-01450A	BRACKET-P-DRIVE MOTOR	1	SNA	
5.8-3	JC66-01042A	GEAR-IDLE DEVE Z19	2	SA	
5.8-4	JC66-01052A	GEAR-RDCN DEVE CAM	1	SA	
5.8-5	JC66-01041A	GEAR-DEVE COUPLING	4	SA	
5.8-6	6107-001169	SPRING-CS	4	SA	
5.8-7	JC66-01047A	GEAR-IDLE Z39	2	SA	
5.8-8	JC66-01065A	GEAR-TONER DRIVE	1	SA	
5.8-9	JC66-01046A	GEAR-IDLE Z33	1	SA	
5.8-10	JC66-00763A	GEAR-M-PICK UP IDLE	1	SA	
5.8-11	JC47-00007E	MEP-CLUTCH CAM	2	SA	
5.8-12	JC66-01208A	GEAR-RDCN FUSER CAM	1	SA	
5.8-13	JC66-01045A	GEAR-IDLE ITB Z43	1	SA	
5.8-14	JC66-01048A	GEAR-ITB DRIVE	1	SA	
5.8-15	JC66-01054A	GEAR-RDCN OPC	1	SA	
5.8-16	JC63-01049A	SHEET-HOUSING ITB	1	SNA	
5.8-17	JC66-01051A	GEAR-RDCN DEVE	1	SA	
5.8-18	JC66-01055A	GEAR-RDCN P_PATH	1	SA	
5.8-19	JC66-01050A	GEAR-PICK UP DRIVE	1	SA	
5.8-20	JC66-01044A	GEAR-FUSER DRIVE 1	1	SA	
5.8-21	JC66-01053A	GEAR-RDCN EXIT	1	SA	
5.8-22	JC66-01043A	GEAR-DEVE DRIVE	4	SA	
5.8-23	6031-000019	WASHER-PLAIN	1	SA	
5.8-24	JC66-00771A	GEAR-_M_IDLE PICKUP	1	SA	
5.8-25	JC61-01459A	BRACKET-M-DRIVE FRONT	1	SNA	
5.8-26	JC66-01061A	SHAFT-IDLE D8	1	SNA	
5.8-27	JC66-01064A	GEAR-IDLE Z37	2	SA	
5.8-28	6003-000152	SCREW-TAPTITE	1	SNA	
5.8-29	JC66-01060A	SHAFT-WORM GEAR	1	SNA	
5.8-30	JC66-01057A	GEAR-WORM DEVE CAM	1	SA	
5.8-31	6044-000159	RING-C	1	SA	
5.8-32	6001-000130	SCREW-MACHINE	7	SNA	
5.8-33	JC66-01070A	LATCH-M-HUB CLUTCH	1	SNA	
5.8-34	JC66-01155A	GEAR-FUSER RDCN OUT V	1	SNA	
5.8-35	6044-000125	RING-E	1	SA	
5.8-36	JC66-01068A	SHAFT-M-T2 CAM	1	SA	
5.8-37	JC66-01067A	SHAFT-M-ITB CLEAN CAM	1	SA	
5.8-38	JC31-00041A	MOTOR DC-DEVE DRIVE	1	SA	
5.8-39	JC33-00015C	SOLENOID-PICK UP	1	SA	
5.8-40	6003-000152	SCREW-TAPTITE	1	SA	
5.8-41	JC61-01458A	BRACKET-M-DEVE CAM	1	SNA	
5.8-42	6003-000152	SCREW-TAPTITE	7	SA	
5.8-43	JC67-00130A	CAP-M-PUSH COUPLING	4	SA	
5.8-44	JC97-01788B	MEA UNIT-CLUTCH DEV	1	SA	

Main Driver Parts List

SA : SERVICE AVAILABLE, SNA : SERVICE not AVAILABLE

Drawer#	SEC_Code	Description	QT'y	Service	Remark
5.8-45	JC66-01066A	SHAFT-M-DEVE CAM	1	SA	
5.8-46	JC92-01720A	PBA SUB-DEVE_HOME	1	SA	
5.8-47	JC61-01453A	HOLDER-M-LINK BLACK	1	SA	
5.8-48	JC66-01097A	LINK-M-PUSH BLACK CAP	1	SA	
5.8-49	JC61-00699A	BUSH-D6/L4	3	SA	
5.8-50	6502-000132	CABLE CLAMP	1	SA	
5.8-52	JC68-10914D	LABEL(P)-SERIAL NO	1	SNA	

5.9 LSU Cover

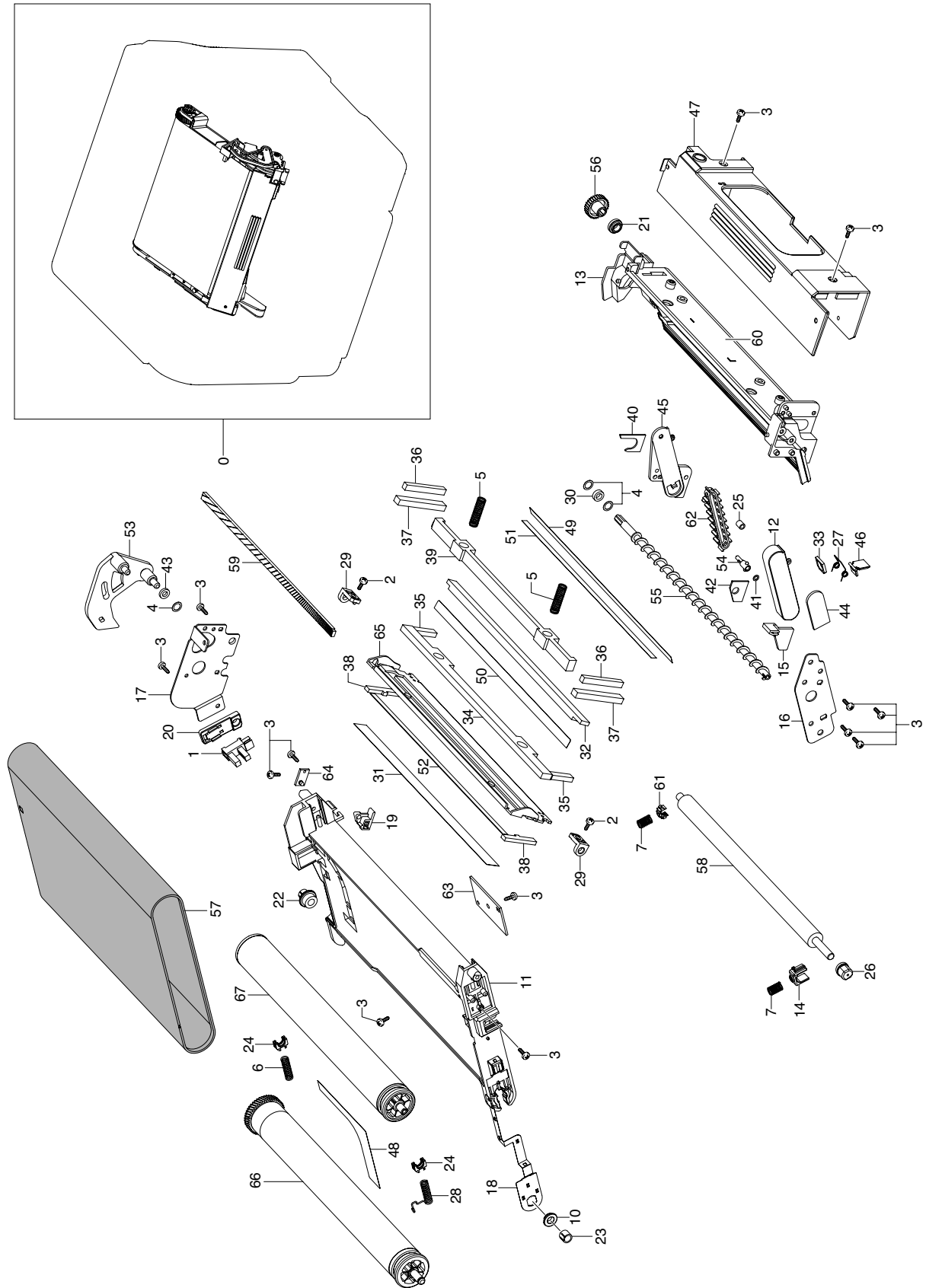


LSU Cover Parts List

SA : SERVICE AVAILABLE, SNA : SERVICE not AVAILABLE

Drawer#	SEC_Code	Description	QT'y	Service	Remark
5.9-0	JC97-02656A	MEA UNIT-COVER LSU	1	SA	
5.9-1	JC67-00168A	BRUSH-LSU	1	SNA	
5.9-2	JC64-00267A	SHUTTER-LSU	1	SNA	
5.9-3	JC63-00839A	COVER-M-LSU	1	SNA	
5.9-4	6107-001295	SPRING-CS	2	SNA	
5.9-5	JC63-01093A	SHEET-LSU FRONT	1	SNA	

5.10 ITB Unit



ITB Unit Parts List

SA : SERVICE AVAILABLE, SNA : SERVICE not AVAILABLE

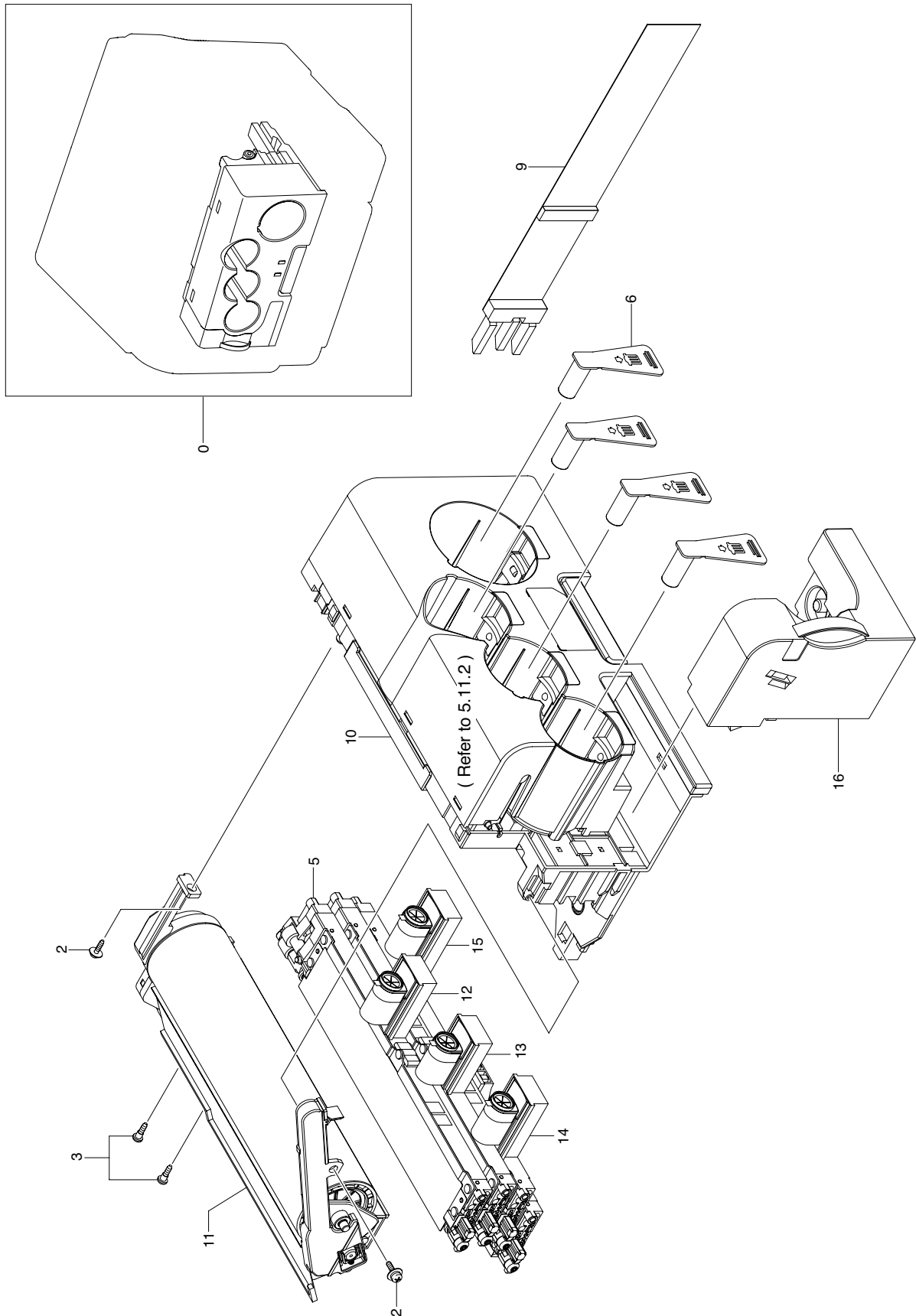
Drawer#	SEC_Code	Description	QT'y	Service	Remark
5.10-0	JC96-03611A	ELA UNIT-ITB_SET	1	SNA	
5.10-1	0604-001257	PHOTO-INTERRUPTER	1	SA	
5.10-2	6001-000485	SCREW-MACHINE	2	SA	
5.10-3	6003-000282	SCREW-TAPTITE	13	SA	
5.10-4	6031-000019	WASHER-PLAIN	3	SA	
5.10-5	6107-001287	SPRING-CS	2	SA	
5.10-6	6107-001289	SPRING-CS	1	SA	
5.10-7	6107-001306	SPRING-CS	2	SA	
5.10-8	JC39-00489A	CBF HARNESS-ITB_JOINT	1	SA	
5.10-9	JC39-00502A	CBF HARNESS-ITB_HOME	1	SA	
5.10-10	JC61-00699A	BUSH-D6/L4	1	SA	
5.10-11	JC61-01494A	FRAME-M-ITB	1	SA	
5.10-12	JC61-01495A	FRAME-M-WASTE ITB	1	SA	
5.10-13	JC61-01497A	HOUSING-M-CLEANING ITB	1	SA	
5.10-14	JC61-01498A	HOLDER-M-BUSH CHARGE	1	SA	
5.10-15	JC61-01499A	GUIDE-M-POLE ITB	1	SA	
5.10-16	JC61-01502A	BRACKET-P-HOUSING LEFT	1	SA	
5.10-17	JC61-01503A	BRACKET-P-HOUSING RIGHT	1	SA	
5.10-18	JC61-01504A	PLATE-P-GND ITB	1	SA	
5.10-19	JC61-01505A	HOLDER-M-PTL	1	SA	
5.10-20	JC61-01506A	HOLDER-M-HOME SENSOR	1	SA	
5.10-21	JC61-01536A	BUSH-M-CHARGE CLEANING	1	SA	
5.10-22	JC61-01539A	BUSH-M-DRIVE ITB	1	SA	
5.10-23	JC61-01540A	BUSH-M-ITB	1	SA	
5.10-24	JC61-01541A	BUSH-M-TR ITB	2	SA	
5.10-25	JC61-01542A	BUSH-M-IDLER WASTE BELT	1	SA	
5.10-26	JC61-01543A	BUSH-CHARGE LEFT	1	SA	
5.10-27	JC61-01701A	SPRING ETC-SHUTTER	1	SA	
5.10-28	JC61-01704A	SPRING ETC-GROUND ITB	1	SA	
5.10-29	JC61-01777A	HOLDER-BLADE ITB	2	SA	
5.10-45	JC63-00857A	COVER-M-WASTE ITB	1	SA	
5.10-46	JC63-00859A	COVER-M-WASTE EXIT	1	SA	
5.10-47	JC63-00862A	COVER-M-HANDLE ITB	1	SA	
5.10-48	JC63-01045A	SHEET-FRAME ITB	1	SA	
5.10-49	JC63-01049A	SHEET-HOUSING ITB	1	SA	
5.10-50	JC63-01110A	SHEET-BRACKET ITB	1	SA	
5.10-51	JC63-01124A	SHEET-HOUSING ITB F	1	SA	
5.10-52	JC63-01170A	SHEET-BLADE ITB	1	SA	
5.10-53	JC66-01082A	ARM-M-BLADE ITB	1	SA	
5.10-54	JC66-01083A	SHAFT-M-BELT WASTE	1	SA	
5.10-55	JC66-01085A	SHAFT-M-AUGER ITB	1	SA	
5.10-56	JC66-01087A	GEAR-AUGER ITB	1	SA	
5.10-57	JC66-01112A	DRUM-ITB BELT	1	SA	
5.10-58	JC66-01131A	ROLLER-T1	1	SA	

ITB Unit Parts List

SA : SERVICE AVAILABLE, SNA : SERVICE not AVAILABLE

Drawer#	SEC_Code	Description	QT'y	Service	Remark
5.10-59	JC67-00027A	LENS-PTL	1	SA	
5.10-61	JC72-40332A	PMO-BUSHING_CHARGE	1	SA	
5.10-62	JC73-00222A	RUBBER-BELT WASTE ITB	1	SA	
5.10-63	JC92-01709A	PBA SUB-ITB_JOINT	1	SA	
5.10-64	JC92-01724A	PBA SUB-PTL	1	SA	
5.10-65	JC97-02645A	MEA UNIT-BLADE ITB	1	SA	
5.10-65-1	JC61-01500A	BRACKET-P-CLEANING ITB	1	SA	
5.10-65-2	JC61-01673A	BLADE-CLEANING ITB	1	SA	
5.10-66	JC97-02646A	MEA UNIT-ROLL DRV ITB	1	SA	
5.10-66-1	JC61-01562A	GUIDE-M-DRIVE ITB	1	SA	
5.10-66-2	JC66-01129A	ROLLER-DRIVE ITB	1	SA	
5.10-66-3	JC66-01137A	GEAR-DRIVE ITB	1	SA	
5.10-67	JC97-02695A	MEA UNIT-ROLL IDL ITB	1	SA	
5.10-67-2	JC61-01526A	GUIDE-M-BUSH IDL ITB R	1	SA	
5.10-67-3	JC66-01130A	ROLLER-IDLE ITB	1	SA	
5.10-67-4	JC97-02694A	MEA-GUIDE IDL ITB	1	SA	
5.10-67-4-1	JC61-01525A	GUIDE-M-BUSH IDL ITB L	1	SA	
5.10-67-4-2	JC71-10322B	NPR-EARTH OPC	1	SA	

5.11.1 OPC DEVE

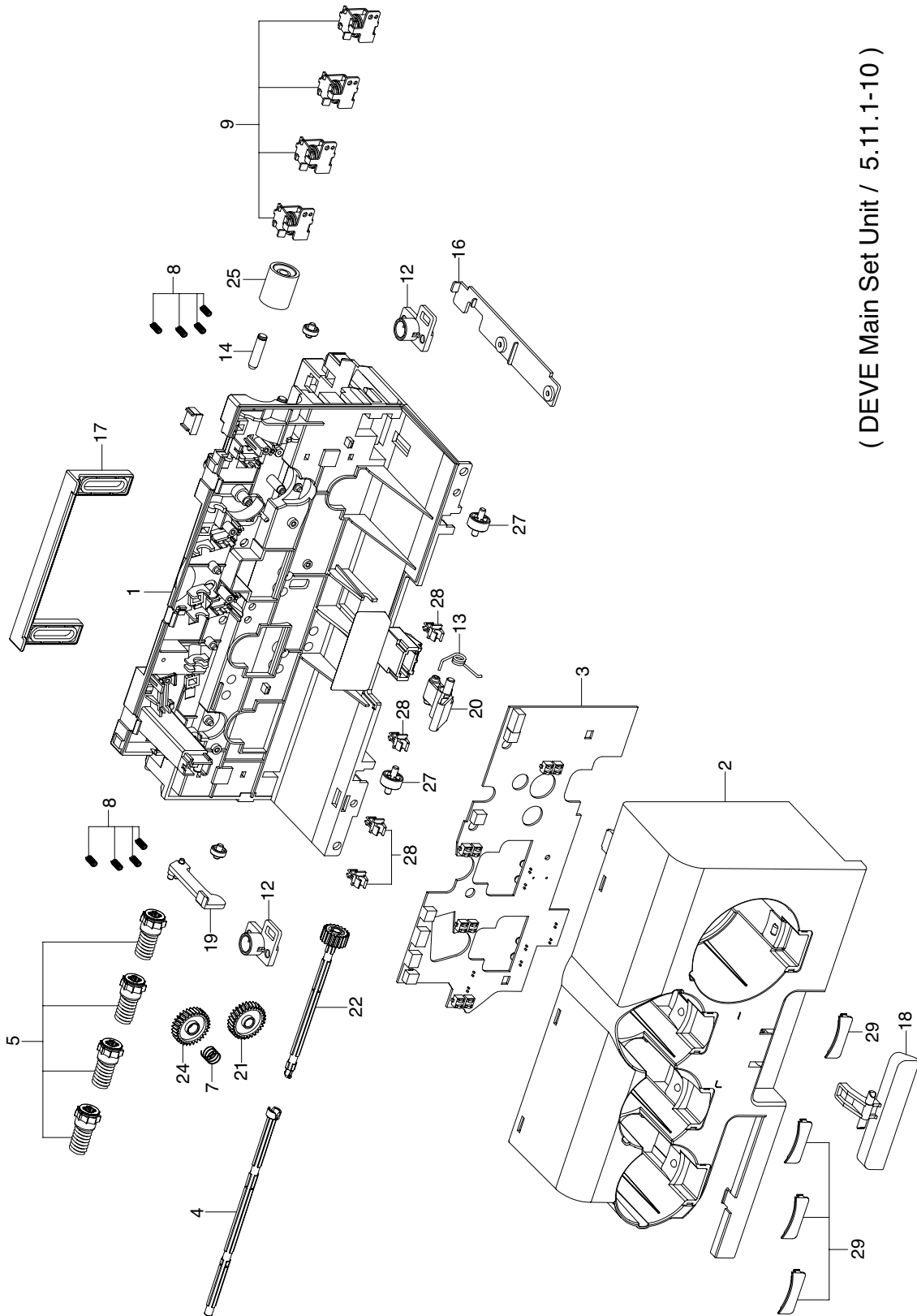


OPC DEVE Parts List

SA : SERVICE AVAILABLE, SNA : SERVICE not AVAILABLE

Drawer#	SEC_Code	Description	QT'y	Service	Remark
5.11.1-0	JC96-03610F	ELA UNIT-OPC DEV_SET	1	SA	220V
5.11.1-0	JC96-03610A	ELA UNIT-OPC DEV_SET	1	SA	110V
5.11.1-2	6006-001078	SCREW-TAPTITE	2	SA	
5.11.1-3	6009-001396	SCREW-SPECIAL	2	SA	
5.11.1-4	JC39-00499A	CBF HARNESS-JOIN_DRAW	1	SA	
5.11.1-5	JC63-01142A	SHEET-FILM YELLOW UP	1	SA	
5.11.1-6	JC67-00199A	CAP-DEVE	4	SA	
5.11.1-10	JC96-03911F	ELA UNIT-DEV MAIN SET	1	SA	220V
5.11.1-10	JC96-03911A	ELA UNIT-DEV MAIN SET	1	SA	110V
5.11.1-11	JC97-02571A	MEA UNIT-OPC SET	1	SA	
5.11.1-12	JC97-02613A	MEA UNIT-DEV Y	1	SA	
5.11.1-13	JC97-02614A	MEA UNIT-DEV M	1	SA	
5.11.1-14	JC97-02615A	MEA UNIT-DEV C	1	SA	
5.11.1-15	JC97-02616A	MEA UNIT-DEV K	1	SA	
5.11.1-16	JC97-02619A	MEA UNIT-TONER WASTE	1	SA	

5.11.2 DEVE Main Set



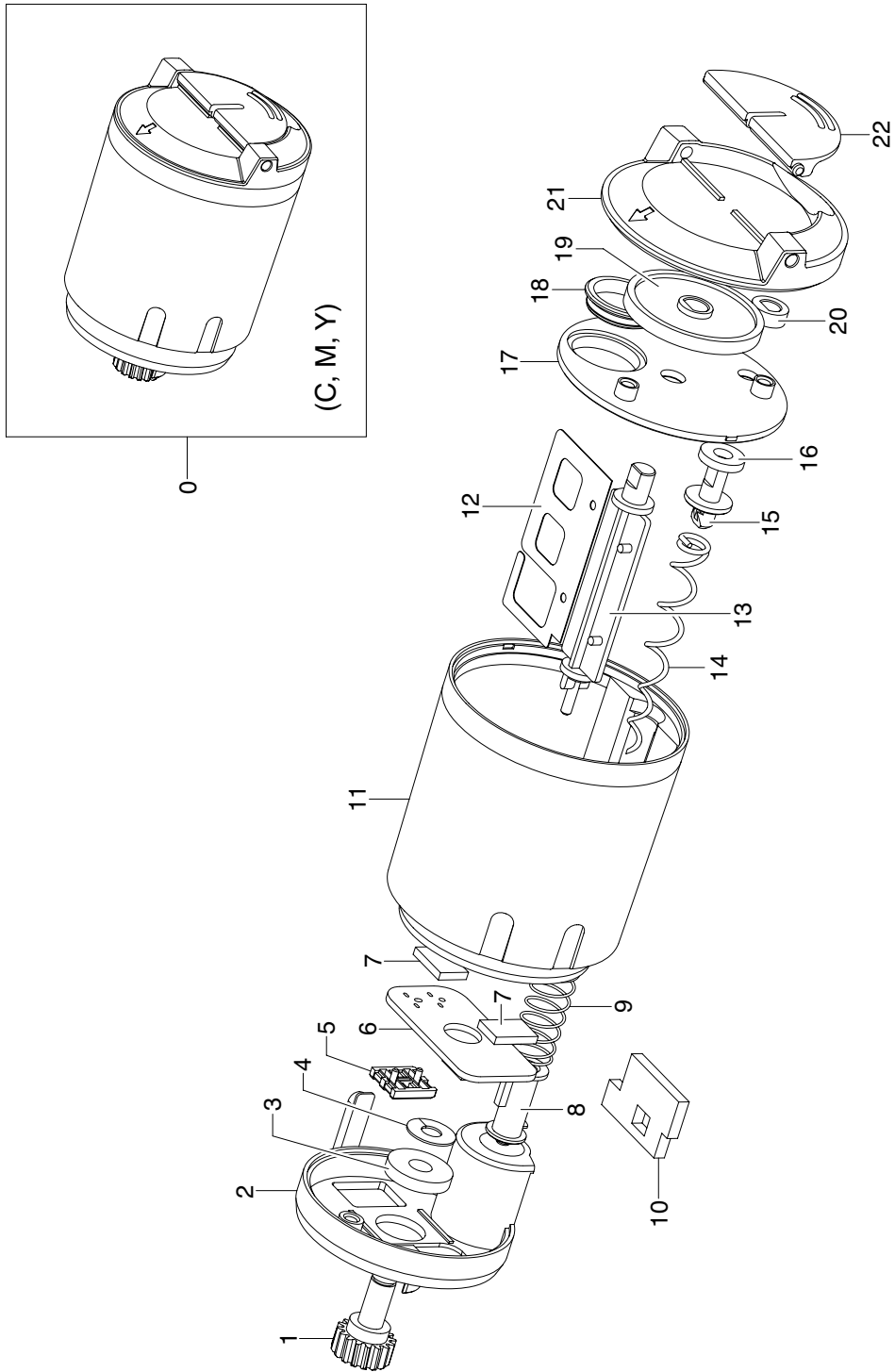
(DEVE Main Set Unit / 5.11.1-10)

DEVE Main Set Parts List

SA : SERVICE AVAILABLE, SNA : SERVICE not AVAILABLE

Drawer#	SEC_Code	Description	QT'y	Service	Remark
5.11.2-1	JC61-01520A	FRAME-M-DEVE MAIN	1	SNA	
5.11.2-2	JC63-00853A	COVER-M-TONER BOTTLE	1	SNA	
5.11.2-3	JC92-01708A	PBA SUB-DEVE_JOINT	1	SNA	
5.11.2-4	JC66-01115A	GEAR-WORM AGITATOR	1	SNA	
5.11.2-5	JC97-01788C	MEA UNIT-CLUTCH TONER	4	SNA	
5.11.2-6	JC66-01116A	GEAR-IDLE M08Z30L	1	SNA	
5.11.2-7	6107-001285	SPRING-CS	1	SNA	
5.11.2-8	6107-001292	SPRING-CS	9	SNA	
5.11.2-9	JC33-00018A	SOLENOID-TONER	4	SNA	
5.11.2-12	JC61-01573A	HOLDER-SUPPORT	2	SNA	
5.11.2-13	JC61-01687A	SPRING ETC-LOCK	1	SNA	
5.11.2-14	JC61-01706A	STUD-GEAR ITB	1	SNA	
5.11.2-16	JC63-00897A	COVER-M-WIRE	1	SNA	
5.11.2-17	JC64-00217A	HANDLE-M-UNIT	1	SNA	
5.11.2-18	JC64-00229A	HANDLE-LOCK	1	SNA	
5.11.2-19	JC66-01094A	LEVER-M-WASTE SENSOR	1	SNA	
5.11.2-20	JC66-01103A	LEVER-M-LOCK DEVE FRAME	1	SNA	
5.11.2-21	JC66-01113A	GEAR-IDLE M08Z30R	1	SNA	
5.11.2-22	JC66-01114A	GEAR-DRIVE Z20	1	SNA	
5.11.2-25	JC66-01117A	GEAR-IDLE ITB	1	SNA	
5.11.2-27	JC66-01143A	ROLLER-SLIDE B	2	SNA	
5.11.2-28	JC72-00382B	PMO-BUSHING FEED	4	SA	
5.11.2-29	JC67-00191A	CAP-DUMMY	4	SNA	

5.12 Toner Tank(C, M, Y)

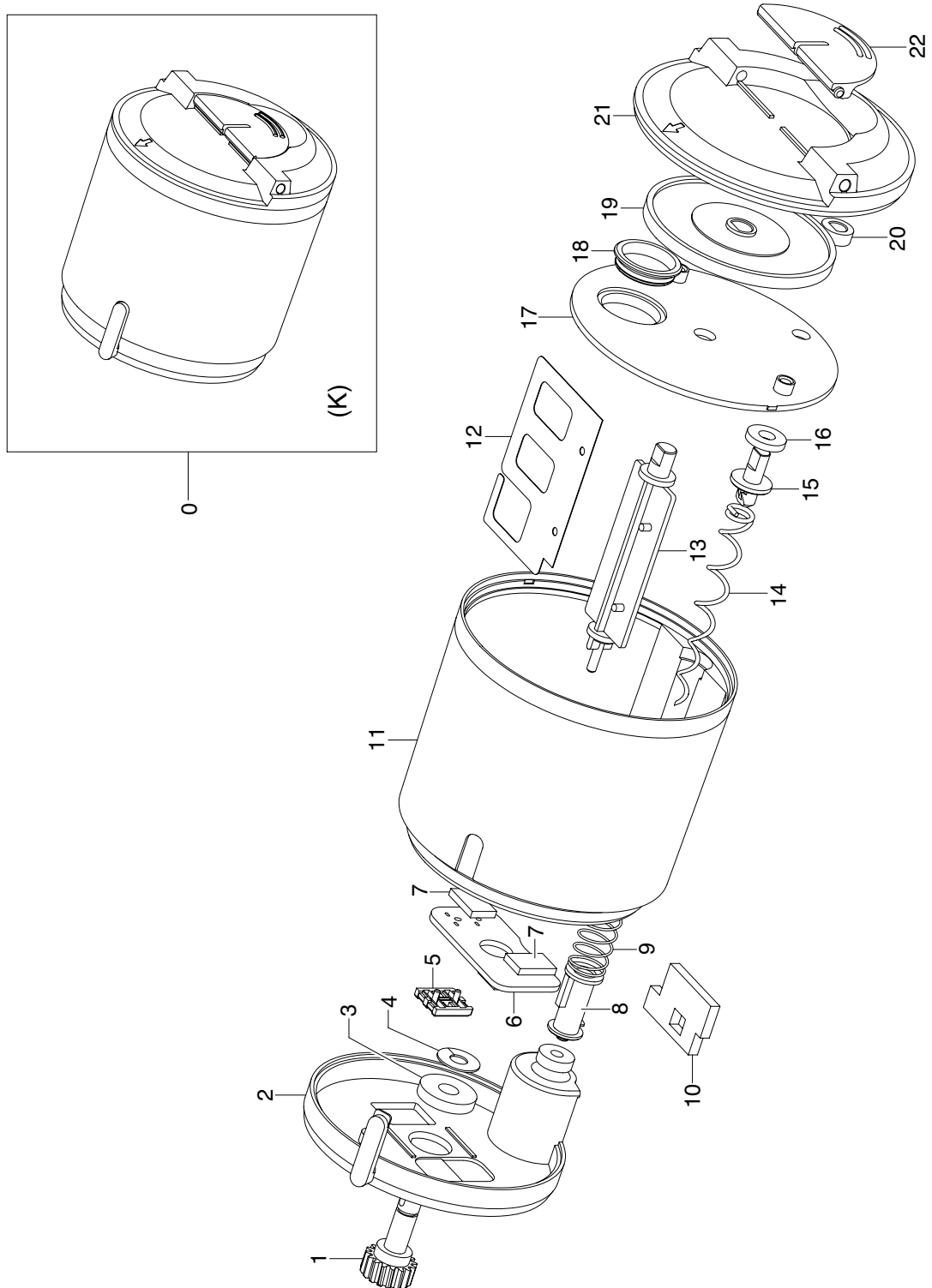


Toner Tank(C, M, Y) Parts List

SA : SERVICE AVAILABLE, SNA : SERVICE not AVAILABLE

Drawer#	SEC_Code	Description	QT'y	Service	Remark
5.12-0	Not assign	ELA UNIT-TONER TANK(C/M/Y)	1	SNA	
5.12-1	JC66-01095A	GEAR-AGITATOR BOTTLE	1	SNA	
5.12-2	JC67-00141A	CAP-M-CRUM BOTTLE C	1	SNA	
5.12-4	6031-001577	WASHER-PLAIN	1	SNA	
5.12-5	JC92-01712A	PBA SUB-CRUM_C	1	SNA	
5.12-6	JC41-00298A	PCB SUB-TONER_CRUM	1	SNA	
5.12-7	JC72-01389A	SPONGE-CRUM	2	SNA	
5.12-8	JC64-00218A	SHUTTER-M-TONER BOTTLE	1	SNA	
5.12-9	JC61-01677A	SPRING ETC-RETURN	1	SNA	
5.12-11	JC67-00131A	TANK-M-TONER BOTTLE Y	1	SNA	
5.12-12	JC63-01046A	SHEET-AGITATOR	1	SNA	
5.12-13	JC66-01144A	SHAFT-AUGER	1	SNA	
5.12-14	JC61-01675A	SPRING ETC-AUGER	1	SNA	
5.12-15	JC66-01145A	SHAFT-SPRING	1	SNA	
5.12-17	JC63-00894A	COVER-INNER	1	SNA	
5.12-18	JC67-00145A	CAP-M-TONER	1	SNA	
5.12-19	JC66-01140A	GEAR-AUGER B	1	SNA	
5.12-20	JC66-01141A	GEAR-AUGER Z15	1	SNA	
5.12-21	JC67-00135B	CAP-TONER BOTTLE C	1	SNA	
5.12-22	JC64-00260D	HANDLE-BOTTLE C	1	SNA	

5.13 Toner Tank(K)

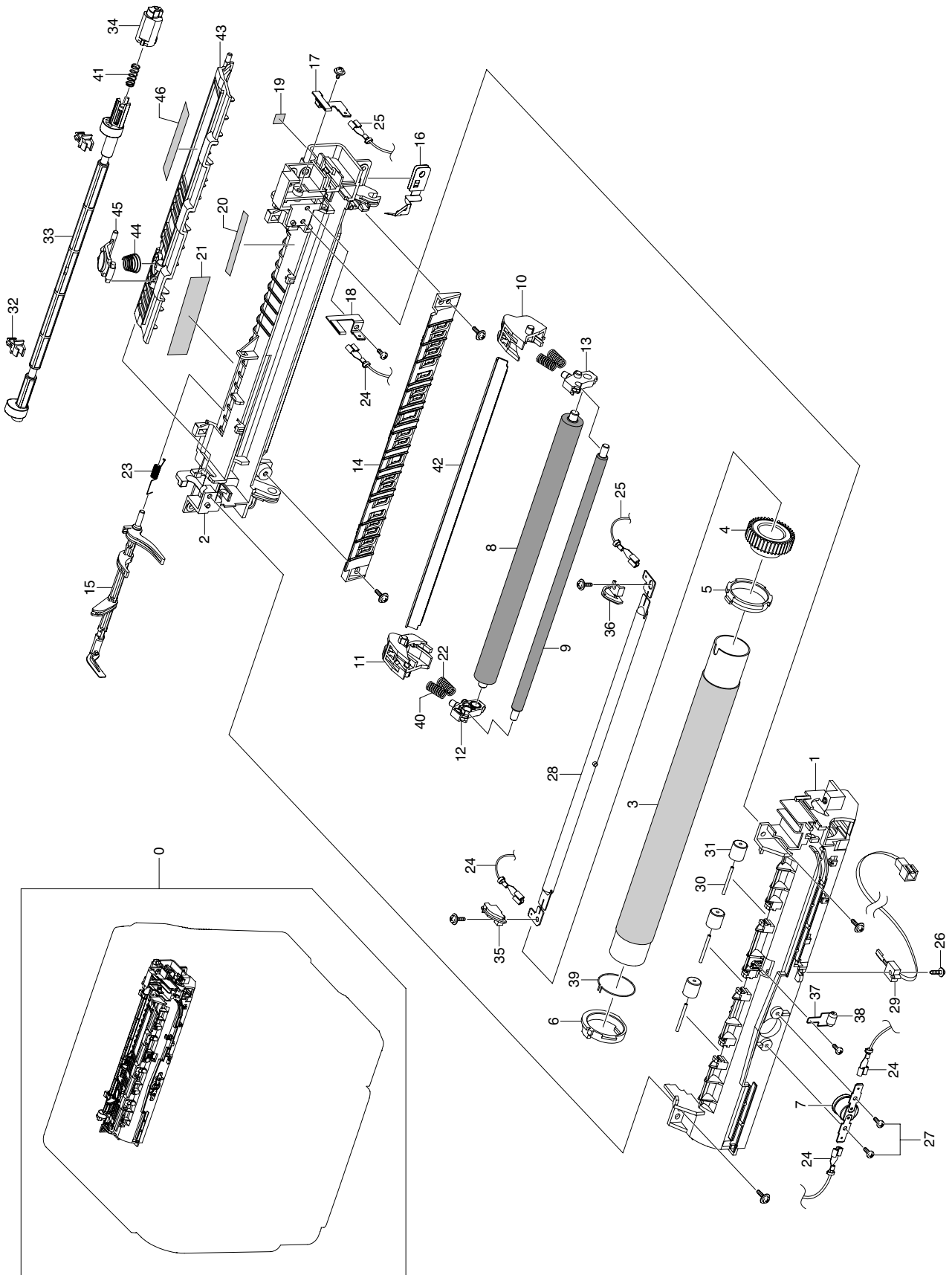


Toner Tank(K) Parts List

SA : SERVICE AVAILABLE, SNA : SERVICE not AVAILABLE

Drawer#	SEC_Code	Description	QT'y	Service	Remark
5.13-0	JC96-03616A	ELA UNIT-TONER TANK K	1	SNA	
5.13-1	JC66-01095A	GEAR-AGITATOR BOTTLE	1	SNA	
5.13-2	JC67-00140A	CAP-M-CRUM BOTTLE BK	1	SNA	
5.13-4	6031-001577	WASHER-PLAIN	1	SNA	
5.13-5	JC61-01529A	HOLDER-M-CRUM	1	SNA	
5.13-6	JC41-00298A	PCB SUB-TONER_CRUM	1	SNA	
5.13-7	JC72-01389A	SPONGE-CRUM	2	SNA	
5.13-8	JC64-00218A	SHUTTER-M-TONER BOTTLE	1	SNA	
5.13-9	JC61-01677A	SPRING ETC-RETURN	1	SNA	
5.13-11	JC67-00134A	TANK-M-TONER BOTTLE BK	1	SNA	
5.13-12	JC63-01047A	SHEET-AGITATOR BK	1	SNA	
5.13-13	JC66-01145A	SHAFT-SPRING	1	SNA	
5.13-14	JC61-01676A	SPRING ETC-AUGER K	1	SNA	
5.13-15	JC66-01146A	SHAFT-AUGER K	1	SNA	
5.13-17	JC63-00895A	COVER-INNER BK	1	SNA	
5.13-18	JG72-40960A	PMO-CAP TONER	1	SNA	
5.13-19	JC66-01139A	GEAR-AUGER A	1	SNA	
5.13-20	JC66-01141A	GEAR-AUGER Z15	1	SNA	
5.13-21	JC67-00136A	CAP-M-TONER BOTTLE BK	1	SNA	
5.13-22	JC64-00260A	HANDLE-M-BOTTLE	1	SNA	

5.14 Fuser Ass'y

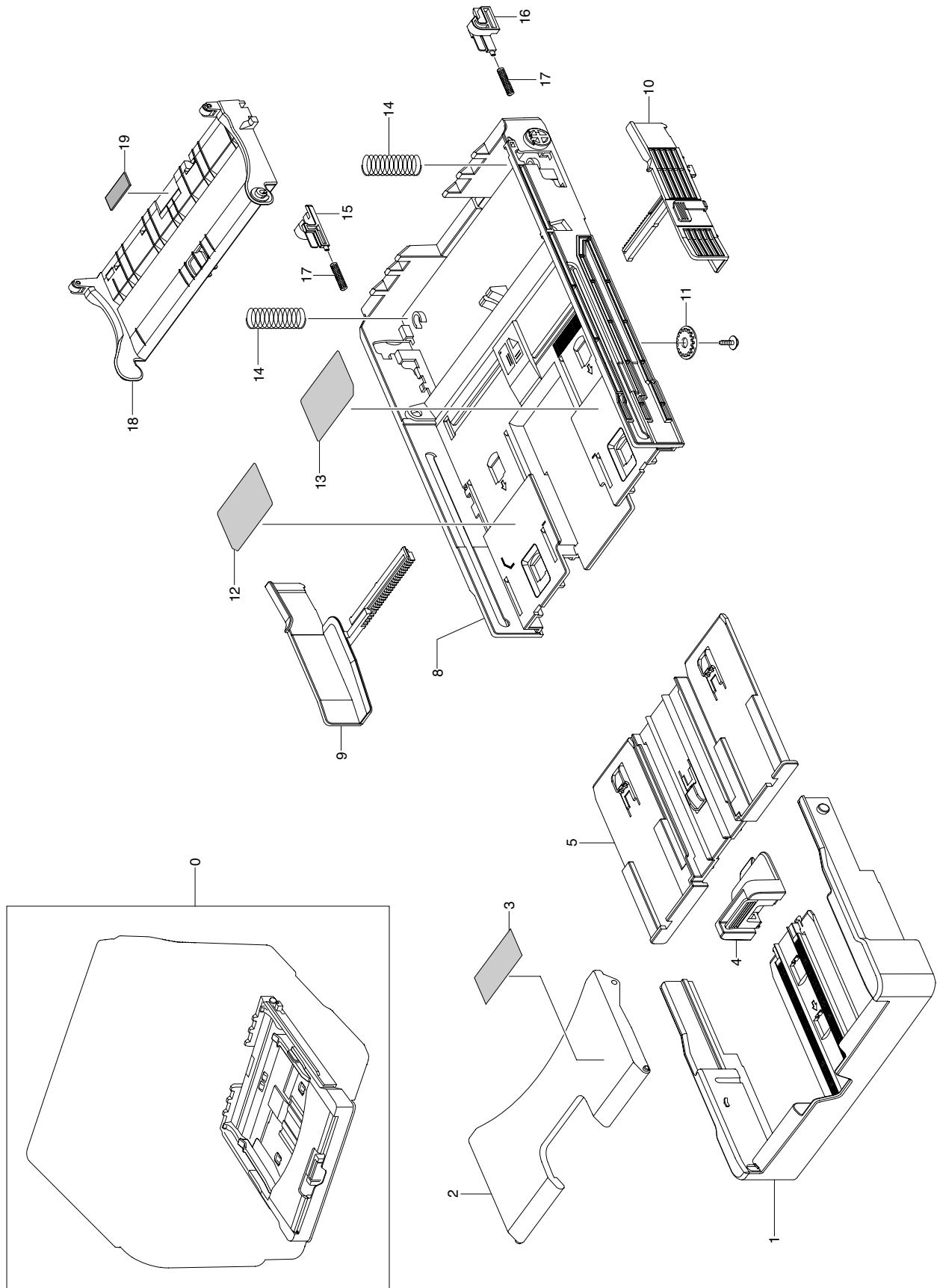


Fuser Ass'y Parts List

SA : SERVICE AVAILABLE, SNA : SERVICE not AVAILABLE

Drawer#	SEC_Code	Description	QT'y	Service	Remark
5.14-0	JC96-03609A	ELA UNIT-FUSER 220V	1	SA	220V
5.14-0	JC96-03609B	ELA UNIT-FUSER 110V	1	SA	110V
5.14-1	JC61-01474A	FRAME-M-UPPER FUSER	1	SA	
5.14-2	JC61-01475A	FRAME-M-LOWER FUSER	1	SA	
5.14-3	JC66-01078A	ROLLER-HEAT	1	SA	
5.14-4	JC66-00669A	GEAR-FUSER	1	SA	
5.14-5	JC66-10902A	BEARING-H/R L	1	SA	
5.14-6	JC72-00814A	PMO-BEARING H/R-F	1	SA	
5.14-7	4712-001027	THERMOSTAT	1	SA	
5.14-8	JC66-01079A	ROLLER-PRESSURE	1	SA	
5.14-9	JC66-01111A	ROLLER-PRESSURE SHAFT	1	SA	
5.14-10	JC61-01490A	HOLDER-M-BUSH 2PR_R	1	SA	
5.14-11	JC61-01491A	HOLDER-M-BUSH 2PR_L	1	SA	
5.14-12	JC61-01534A	BUSH-M-2PR L	1	SA	
5.14-13	JC61-01535A	BUSH-M-2PR R	1	SA	
5.14-14	JC61-01522A	GUIDE-M-INPUT FUSER	1	SA	
5.14-15	JC66-01110A	LEVER-M-ACTUATOR EXIT	1	SA	
5.14-16	JC61-01476A	PLATE-P-GROUND FUSER	1	SA	
5.14-17	JC70-00518A	ELECTRODE-P-AC R	1	SA	
5.14-18	JC70-00519A	ELECTRODE-P-AC L	1	SA	
5.14-22	6107-001246	SPRING-CS	2	SA	
5.14-23	JC61-01271A	SPRING ETC-ACTUATOR	1	SA	
5.14-24	JC39-00500A	CBF HARNESS-FUSE_LINK1	2	SA	
5.14-25	JC39-00501A	CBF HARNESS-FUSE_LINK2	1	SA	
5.14-28	4713-001210	LAMP-HALOGEN	1	SA	220V
5.14-28	4713-001209	LAMP-HALOGEN	1	SA	110V
5.14-29	1404-001368	THERMISTOR-NTC ASSY	1	SA	
5.14-30	JC70-00064A	IPR-PIN ROLLER EXIT	3	SA	
5.14-31	JC72-20902A	PEX-ROLLER F/UP(2)	3	SA	
5.14-32	JC72-00382A	PMO-BUSHING TX	2	SA	
5.14-33	JC66-01206A	SHAFT-M-CAM FUSER	1	SA	
5.14-34	JC61-01647A	HOLDER-M-SHAFT FUSER	1	SA	
5.14-35	JC66-01147A	LEVER-M-RELEASE	1	SA	
5.14-36	JC66-01148A	LEVER-M-LINK FUSER	1	SA	
5.14-37	JC66-01309A	ROLLER-DUMMY	1	SA	
5.14-39	JC61-01679A	SPRING ETC-GROUND	1	SA	
5.14-40	6107-001267	SPRING-CS	2	SA	
5.14-41	6107-001290	SPRING-CS	1	SA	
5.14-42	JC97-02778A	MEA UNIT-GUIDE PR	1	SA	

5.15 Cassette



Cassette Parts List

SA : SERVICE AVAILABLE, SNA : SERVICE not AVAILABLE

Drawer#	SEC_Code	Description	QT'y	Service	Remark
5.15-0	JC97-02332A	MEA-UNIT CASSETTE	1	SA	
5.15-1	JC63-00869A	TRAY-M-EXTENSION SMALL	1	SNA	
5.15-2	JC63-00855A	COVER-M-CASSETTE	1	SNA	
5.15-3	JC68-00780A	LABEL-WARNING	1	SNA	
5.15-4	JC61-01531A	STOPPER-PAPER REAR	1	SNA	
5.15-5	JC63-00872A	TRAY-M-EXIT CASSETTE	1	SA	
5.15-8	JC61-01530A	FRAME-M-SEMI CASSETTE	1	SNA	
5.15-9	JC70-00516A	ADJUST-M-CASSETTE R	1	SA	
5.15-10	JC70-00517A	ADJUST-M-CASSETTE L	1	SA	
5.15-11	JG66-40003A	GEAR-PINION	1	SA	
5.15-12	JC68-01680A	LABEL-INSTRUCTION	1	SNA	
5.15-13	JC68-01679A	LABEL-INSTRUCTION	1	SNA	
5.15-14	6107-001240	SPRING-CS	2	SA	
5.15-15	JC64-00223A	LOCKER-M-KNOCK UP L	1	SA	
5.15-16	JC64-00222A	LOCKER-M-KNOCK UP R	1	SA	
5.15-17	JG61-70531A	SPRING ETC-LOCKER,PLATE	2	SA	
5.15-18	JC61-01158A	PLATE-M-KNOCK_UP	1	SA	
Replacement	JC69-01176A	BOX-MAIN	1	SA	CLX-2160N
Replacement	JC69-01173A	BOX-MAIN	1	SA	CLX-2160