

5. ExplodedViewAnd Parts

Contents

Thumbnail	5-2	5.7 Frame2	5-16
5.1 Main	5-3	5.8 Main Drive1	5-18
5.2 Cover Front	5-6	5.9 Main Drive2	5-21
5.3 Cover Top	5-8	5.10 Fuser Unit	5-23
5.4 Rear Cover	5-10	5.11 Cartridge Transfer Unit	5-26
5.5 Transfer Unit	5-12	5.12 Tank Waste Unit	5-29
5.6 Frame1	5-14	5.13 Cassette	5-31

Samsung Clor Laser Printer

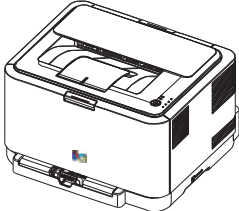
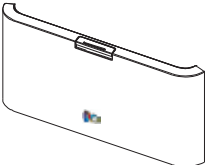
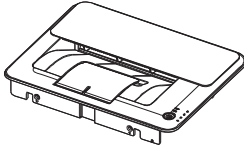
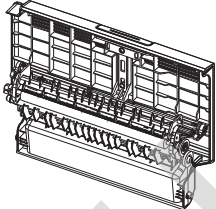
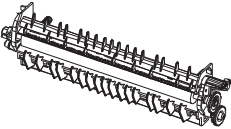
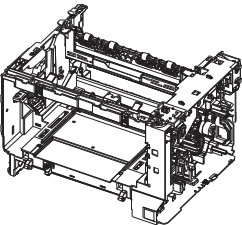
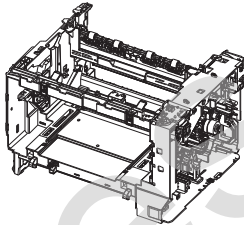
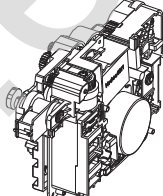
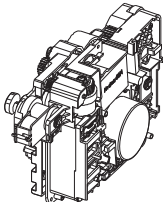
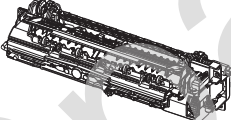
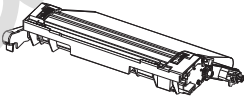
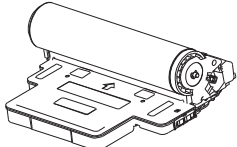
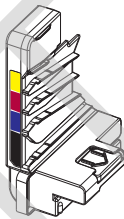
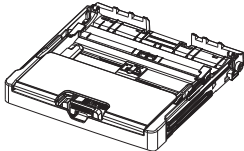


The keynote of Product

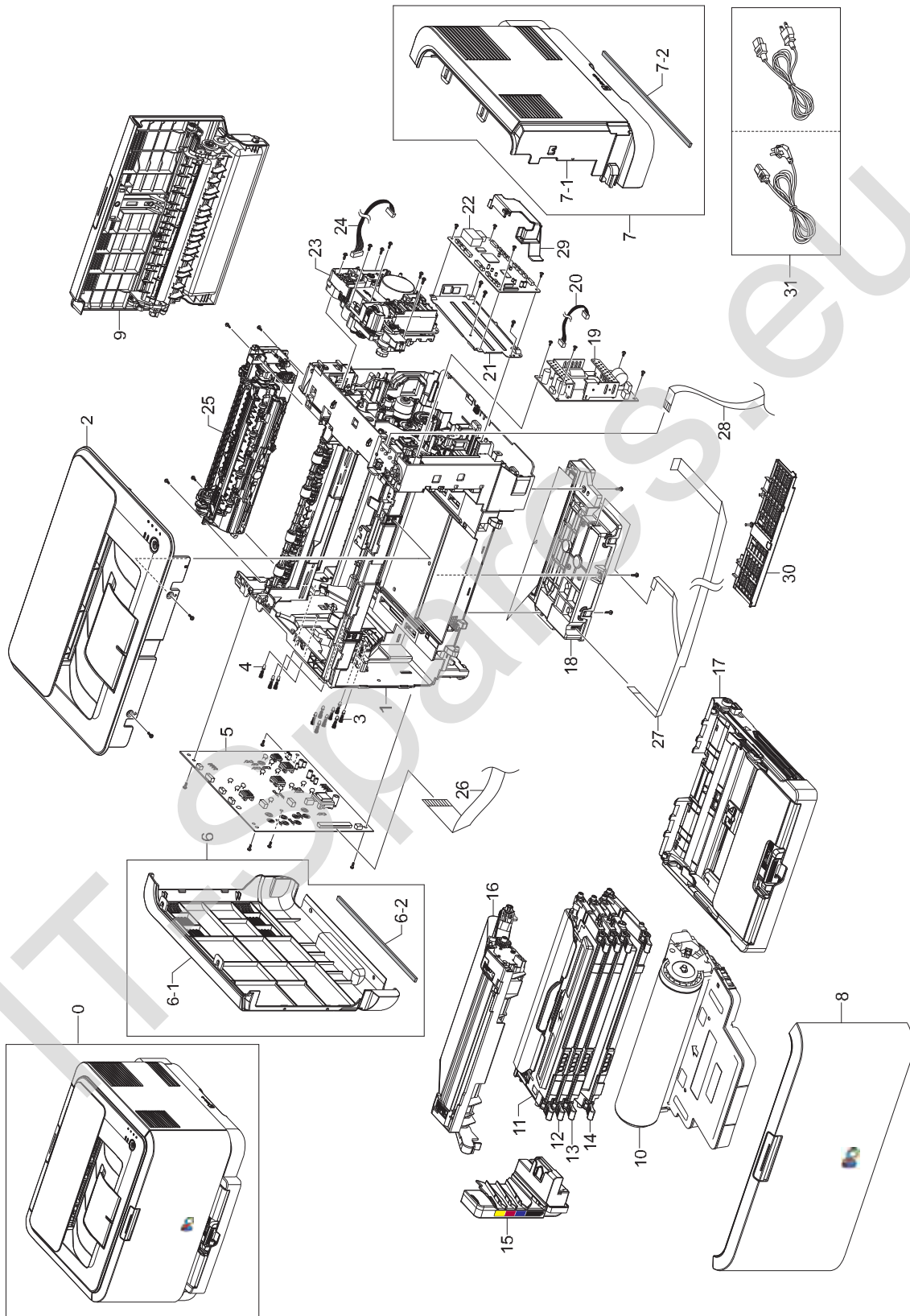
The smallest / The lowest noise High Quality Multi-path CLBP

- Model : CLP-31x series
- Speed(Color/Mono) : 4/16 ppm(A4). 4/17ppm(Let)
- Printing resolution : Max. 2,400 x 600 dpi
- Emulation : SPL-C
- Memory : 32 MB (Network model : 32MB)
- Processor : 360MHz
- Interface : IEEE 802.3,Ethernet(10/100Mbps)
Wireless: Not Supported
- Toner Cartridge :
1.5K Toner(K), 1K toner(C, M, Y each)
- Printer Life : 100,000 pages
Monthly Max. Duty : 20,000 pages/month

Thumbnail

			
5.1 Main	5.2 Cover Front	5.3 Cover Top	5.4 Cover Rear
			
5.5 Transfer Unit	5.6 Frame1	5.7 Frame2	5.8 Main Drive1
			
5.9 Main Drive2	5.10 Fuser Unit	5.11 Cartridge Transfer Unit	5.12 Cartridge-Drum
			
5.13 Tank Waste Unit	5.14 Cassette		

5.1 Main



Main Parts List

SA : SERVICEAVAILABLE, SNA : SERVICE not AVAILABLE

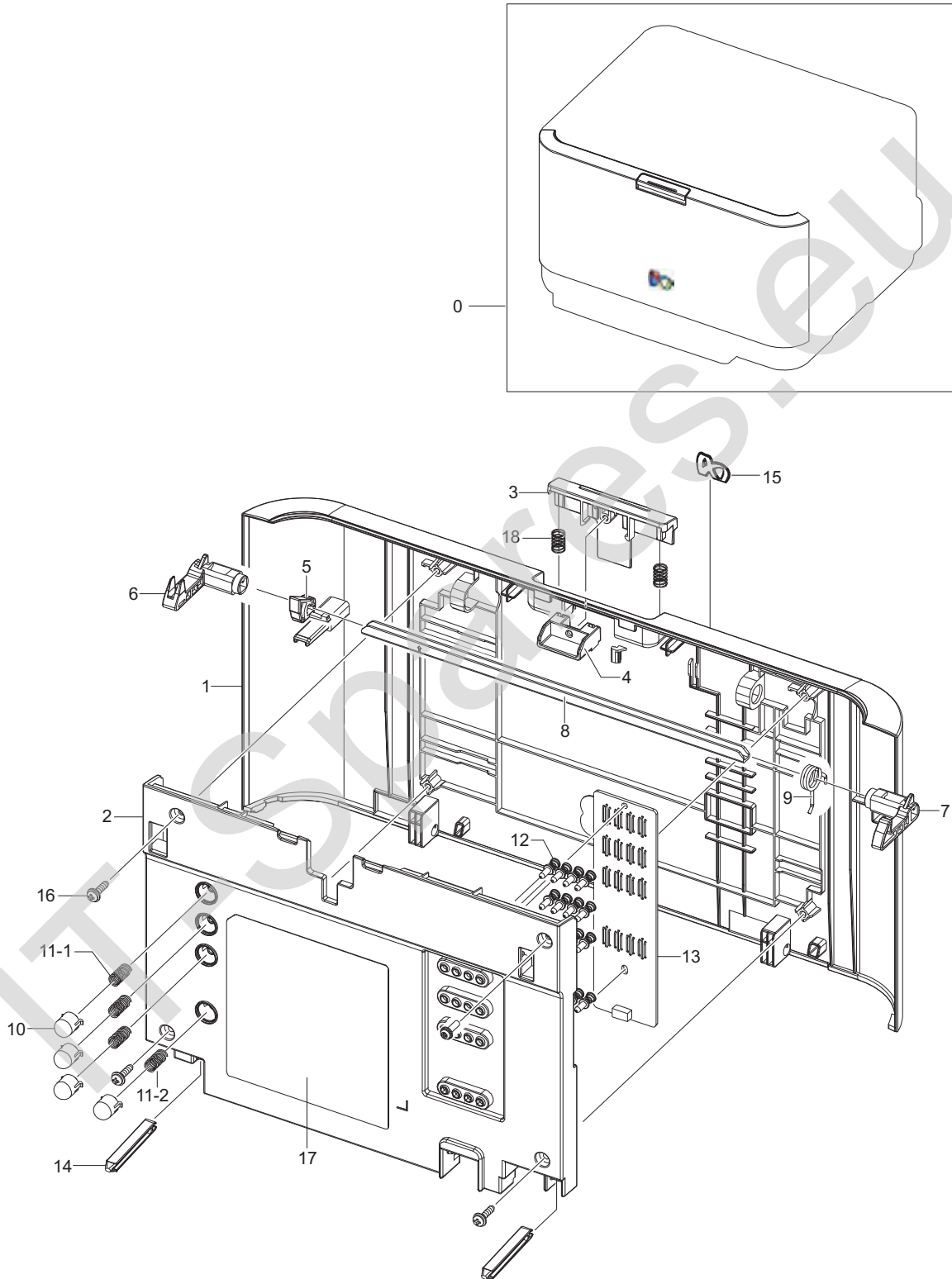
Drawer#	SEC_code	Description	QT'y	Service	Grade	Remark
5.1-0	CLP-310 series	A4 COLOR LASER PRNTER	1	-	-	Gray color
5.1-0	CLP-315 series	A4 COLOR LASER PRNTER	1	-	-	Black color
5.1-1	JC97-03020A	MEA UNIT-FRAME	1	SA	B	
5.1-2	JC97-03033A	MEA UNIT-COVER TOP	1	SA	B	
5.1-2	JC97-03033C	MEA UNIT-COVER TOP	1	SA	B	
5.1-3	JC96-01673A	ELA UNIT-TERMINAL TR S	2	SA	B	
5.1-4	JC97-01771A	MEA UNIT-TERMINAL S	9	SA	A	
5.1-5	JC44-00164A	HVPS	1	SA	A	
5.1-6	JC97-03173A	MEA UNIT-COVER LEFT	1	SA	B	315
5.1-6	JC97-03173B	MEA UNIT-COVER LEFT	1	SA	B	310N
5.1-6-1	JC63-01583A	COVER-LEFT	1	SA	A	315
5.1-6-1	JC63-01583B	COVER-LEFT	1	SNA	A	310N
5.1-6-2	JC72-01453A	SPONGE-COVER LEFT	1	SNA	B	
5.1-7	JC97-03230A	MEA UNIT-COVER RIGHT,Black	1	SA	B	315
5.1-7	JC97-03230B	MEA UNIT-COVER RIGHT,Gray	1	SA	B	310
5.1-7	JC97-03230C	MEA UNIT-COVER RIGHT,Gray	1	SA	B	310N
5.1-7	JC97-03230D	MEA UNIT-COVER RIGHT,Black	1	SA	B	315W
5.1-7	JC97-03230E	MEA UNIT-COVER RIGHT,Black	1	SA	B	315W/XEG
5.1-7	JC97-03230F	MEA UNIT-COVER RIGHT,Gray	1	SA	B	310N/XEG
5.1-7-1	JC63-01584A	COVER-RIGHT,Black	1	SNA	B	315
5.1-7-1	JC63-01584B	COVER-RIGHT,Gray	1	SNA	B	310
5.1-7-1	JC63-01584C	COVER-RIGHT,Gray	1	SNA	B	310N
5.1-7-2	JC72-01452A	SPONGE-COVER RIGHT	1	SNA	B	
5.1-8	JC96-04773A	ELA UNIT-COVER FRONT,Black	1	SA	A	315
5.1-8	JC96-04773B	ELA UNIT-COVER FRONT,Gray	1	SA	A	310/310N
5.1-9	JC97-03032A	MEA UNIT-COVER REAR,Black	1	SA	A	315
5.1-9	JC97-03032B	MEA UNIT-COVER REAR,Gray	1	SA	A	310/310N
5.1-10	JC96-04837A	CARTRIDGE-DRUM	1	SNA	B	
5.1-11	JC96-04752A	CARTRIDGE-TONER Y	1	SNA	B	
5.1-12	JC96-04753A	CARTRIDGE-TONER M	1	SNA	B	
5.1-13	JC96-04754A	CARTRIDGE-TONER C	1	SNA	B	
5.1-14	JC96-04755A	CARTRIDGE-TONER K	1	SNA	B	
5.1-15	JC97-03021A	MEA UNIT-TANK WASTE	1	SA	B	
5.1-16	JC96-04840A	CARTRIDGE-TRANSFER	1	SA	A	
5.1-17	JC97-03036A	MEA UNIT-CASSETTE,Black	1	SA	A	315
5.1-17	JC97-03036B	MEA UNIT-CASSETTE,Gray	1	SA	A	310/310N
5.1-18	JC96-04826A	ELA UNIT-LSU	1	SA	A	
5.1-19	JC44-00095B	SMPS-V1	1	SA	B	110V

Main Parts List

SA : SERVICEAVAILABLE, SNA : SERVICE not AVAILABLE

Drawer#	SEC_code	Description	QT'y	Service	Grade	Remark
5.1-19	JC44-00096B	SMPS-V2C	1	SA	B	220V
5.1-20	JC39-00894A	HARNESS-SMPS	1	SNA	A	
5.1-21	JC63-01653A	SHIELD-MAIN LOWER	1	SNA	A	
5.1-22	JC92-01998B	PBA-MAIN	1	SA	A	310/315
5.1-22	JC92-02029B	PBA-MAIN	1	SA	A	310N
5.1-23	JC96-04750A	ELA UNIT-DRIVE MAIN	1	SA	B	
5.1-24	JC39-00899A	HARNESS-BLDC	1	SNA	B	
5.1-25	JC96-04780A	ELA UNIT-FUSER	1	SA	A	220V
5.1-25	JC96-04781A	ELA UNIT-FUSER	1	SA	A	110V
5.1-26	JC39-00866A	FLAT CABLE	1	SNA	A	
5.1-27	JC39-00867A	FLAT CABLE	1	SNA	A	
5.1-28	JC39-00868A	FLAT CABLE	1	SNA	A	
5.1-29	JC61-02368A	HOUSING-HARNESS	1	SA	B	
5.1-30	JC63-01575A	COVER-HARNESS	1	SA	B	
5.1-31	3903-000085	CBF-POWER CORD	1	SA	B	USA
5.1-31	3903-000067	CBF-POWER CORD	1	SA	B	UK

5.2 Cover Front

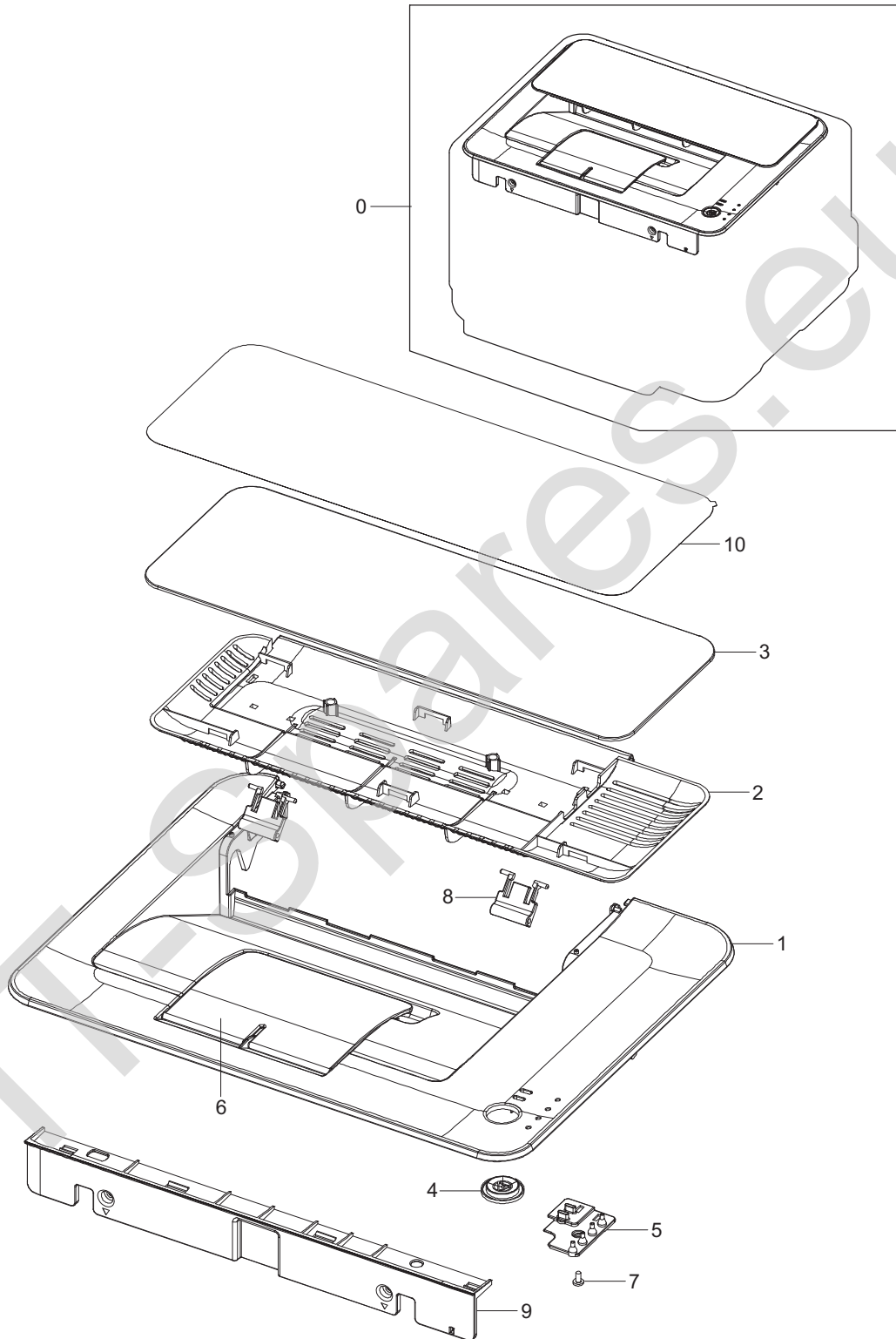


Cover Front Parts List

SA : SERVICEAVAILABLE, SNA : SERVICE not AVAILABLE

Drawer#	SEC_code	Description	QT'y	Service	Grade	Remark
5.2-0	JC96-04773A	ELA UNIT-COVER FRONT	1	SA	A	Black color
5.2-0	JC96-04773B	ELA UNIT-COVER FRONT	1	SA	A	Gray color
5.2-1	JC63-01626A	COVER-FRONT	1	SNA	A	Black color
5.2-1	JC63-01626B	COVER-FRONT	1	SNA	A	Gray color
5.2-2	JC63-01576A	COVER-FRONT INNER	1	SNA	A	Black color
5.2-2	JC63-01576B	COVER-FRONT INNER	1	SNA	A	Gray color
5.2-3	JC64-00348A	HANDLE-FRONT	1	SAN	B	Black color
5.2-3	JC64-00348B	HANDLE-FRONT	1	SNA	B	Gray color
5.2-4	JC66-01734A	LEVER-FRONT LOCK	1	SAN	B	Black color
5.2-4	JC66-01734B	LEVER-FRONT LOCK	1	SNA	B	Gray color
5.2-5	JC61-02255A	HOLDER-HOOK FRONT C	1	SNA	B	
5.2-6	JC64-00367A	LOCKER-FRONT_L	1	SA	B	
5.2-7	JC64-00368A	LOCKER-FRONT_R	1	SA	B	
5.2-8	JC66-01789A	SHAFT-LOCKBAR FRONT	1	SNA	B	
5.2-9	6107-001392	SPRING-TS	1	SA	B	
5.2-10	JC64-00349A	BUTTON-SUPPORT	4	SNA	B	
5.2-11-1	6107-001404	SPRING CS	3	SNA	B	
5.2-11-2	6107-001403	SPRING CS	1	SNA	B	
5.2-12	JC97-03039A	MEA-CRUM TERMINAL	16	SA	A	
5.2-13	JC92-01989A	PBA SUB-CRUMJOINT	1	SNA	A	
5.2-14	JC66-01748A	LEVER-LSU	2	SNA	B	
5.2-15	JC64-00429A	BADGE-COLOR SMALL	1	SNA	A	
5.2-16	6003-000196	SCREW-TAPTITE	4	SA	A	
5.2-17	JC68-02105A	LABEL-INFORMATION	1	SNA	B	
5.2-18	6107-001497	SPRING-CS	2	SA	A	

5.3 Cover Top

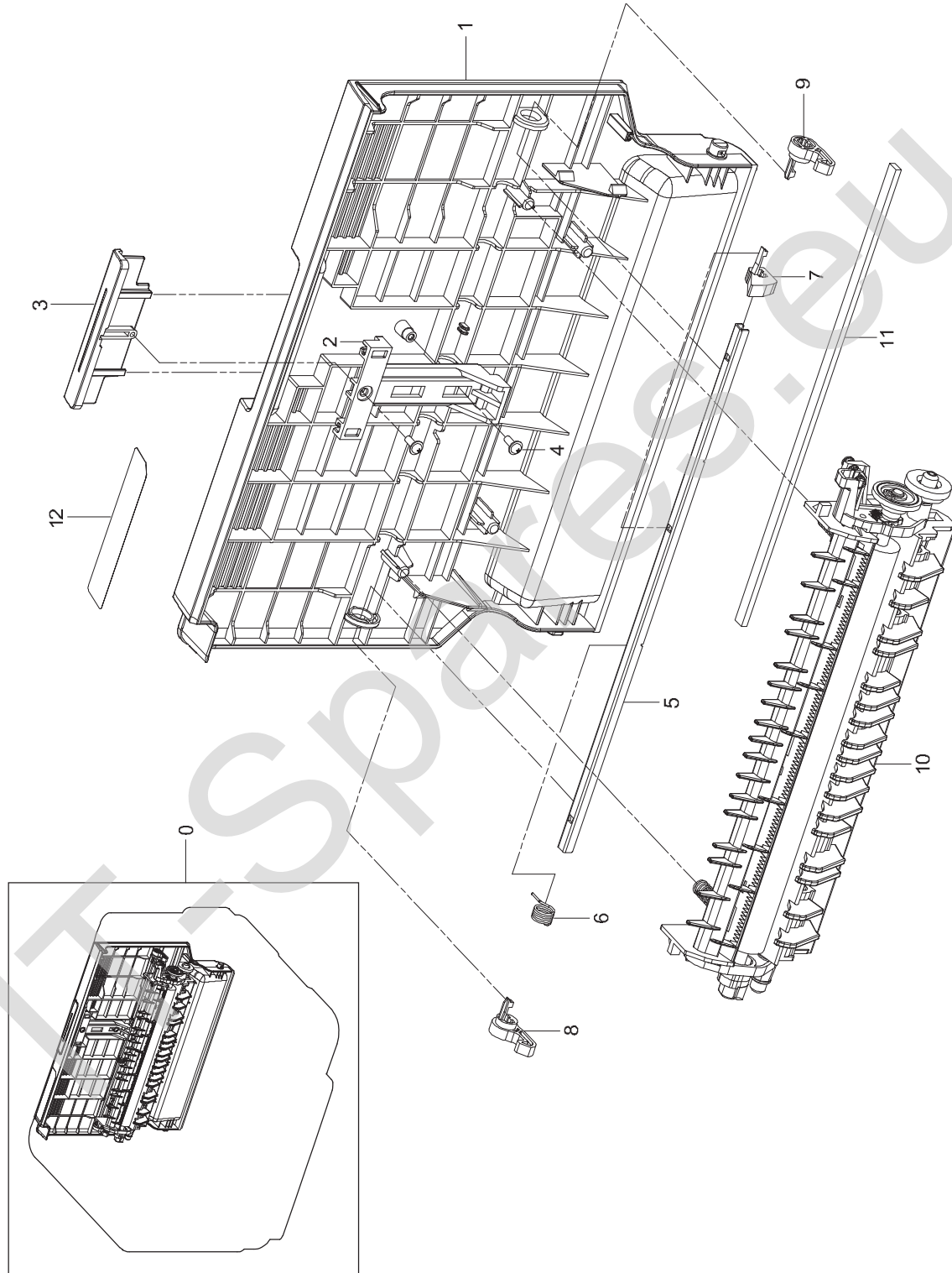


Cover Top Parts List

SA : SERVICEAVAILABLE, SNA : SERVICE not AVAILABLE

Drawer#	SEC_code	Description	QT'y	Service	Grade	Remark
5.3-0	JC97-03033A	MEA UNIT-COVER TOP,Black	1	SA	B	315
5.3-0	JC97-03033B	MEA UNIT-COVER TOP,Gray	1	SA	B	310
5.3-0	JC97-03033C	MEA UNIT-COVER TOP,Gray	1	SA	B	310N
5.3-0	JC97-03033D	MEA UNIT-COVER TOP,Black	1	SA	B	315W
5.3-1	JC63-01593A	COVER-TOP,Black	1	SNA	B	315
5.3-1	JC63-01593B	COVER-TOP,Gray	1	SNA	B	310
5.3-1	JC63-01593C	COVER-TOP,Gray	1	SNA	B	310N
5.3-1	JC63-01593D	COVER-TOP,Black	1	SNA	B	315W
5.3-2	JC63-01633A	COVER-JAM,Black	1	SNA	A	315
5.3-2	JC63-01633B	COVER-JAM,Gray	1	SNA	A	310
5.3-3	JC63-01596A	COVER-DUST,Black	1	SNA	A	315
5.3-3	JC63-01596B	COVER-DUST,Gray	1	SNA	A	310
5.3-4	JC64-00364A	KEY-OPE,Black	1	SNA	B	315
5.3-4	JC64-00364B	KEY-OPE,Gray	1	SNA	B	310
5.3-5	JC63-01580A	COVER-LED	1	SNA	B	
5.3-6	JC61-02358A	GUIDE-STACKER RX,Black	1	SNA	A	315
5.3-6	JC61-02358B	GUIDE-STACKER RX,Gray	1	SNA	A	310
5.3-7	6003-000261	SCREW-TAPTITE	3	SNA	D	
5.3-8	JC72-01001A	PMO-SUB STACKER	2	SA	A	
5.3-9	JC63-01666A	COVER-TOP DUMMY,Black	1	SNA	A	315
5.3-9	JC63-01666B	COVER-TOP DUMMY,Gray	1	SNA	A	310
5.3-10	JC63-01969A	SHEET-COVER DUST	1	SNA	A	

5.4 Rear Cover



Side Duplex Parts List

SA : SERVICEAVAILABLE, SNA : SERVICE not AVAILABLE

Drawer#	SEC_code	Description	QT'y	Service	Grade	Remark
5.4-0	JC97-03032A	MEA UNIT-COVER REAR,Black	1	SA	A	315
5.4-0	JC97-03032B	MEA UNIT-COVER REAR,Gray	1	SA	A	310
5.4-1	JC63-01629A	COVER-REAR	1	SNA	A	315
5.4-1	JC63-01629B	COVER-REAR	1	SNA	A	310
5.4-2	JC66-01736A	LEVER-REAR LOCK	1	SAN	B	315
5.4-2	JC66-01736B	LEVER-REAR LOCK	1	SNA	B	310
5.4-3	JC64-00352A	BUTTON-OPEN REAR	1	SNA	B	315
5.4-3	JC64-00352B	BUTTON-OPEN REAR	1	SNA	B	310
5.4-4	6002-000440	SCREW-TAPPING	2	SA	B	
5.4-5	JC66-01089A	SHAFT-P-LOCKBAR REAR	1	SNA	B	
5.4-6	6107-001268	SPRING-TS	1	SA	B	
5.4-7	JC61-01456B	HOLDER-M-HOOK REAR L	1	SNA	A	
5.4-8	JC61-01461B	HOLDER-M-HOOK REAR R	1	SNA	A	
5.4-9	JC61-02254A	HOLDER-HOOK REAR C	1	SNA	B	
5.4-10	JC97-03046A	MEA UNIT-TRANSFER	1	SA	A	
5.4-11	JC-72-01452A	SPONGE-COVER RIGHT	1	SNA	B	
5.4-12	JC68-02037A	LABEL-INFORMATION	1	SNA	A	

Transfer Unit Parts List

SA : SERVICEAVAILABLE, SNA : SERVICE not AVAILABLE

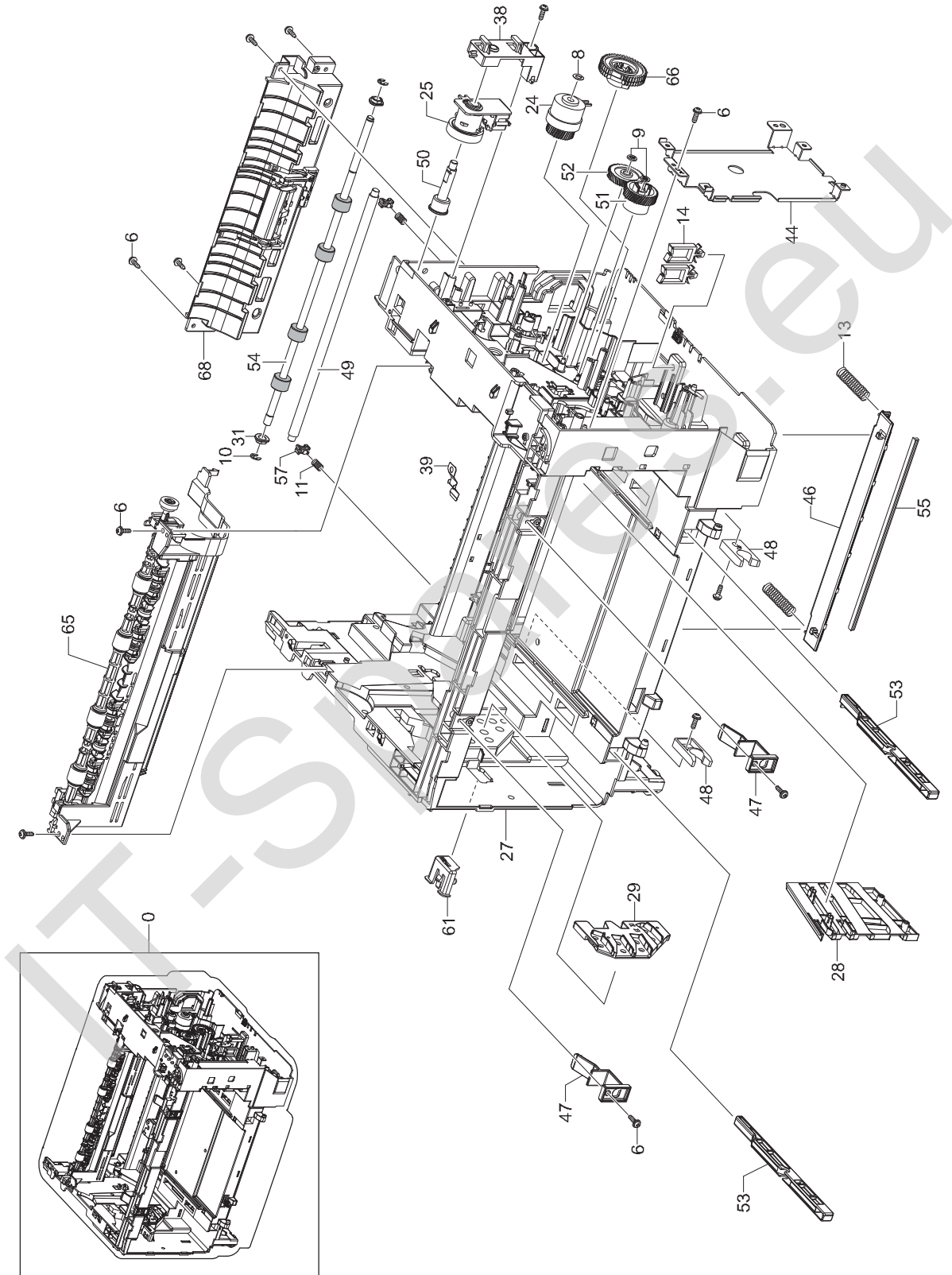
Drawer#	SEC_code	Description	QT'y	Service	Grade	Remark
5.5-0	JC97-03046A	MEA UNIT-TRANSFER	1	SA	A	
5.5-1	JC61-02354A	FRAME-TRANSFER	1	SNA	A	
5.5-2	JC66-01747A	LEVER-T2 R	1	SNA	A	
5.5-3	JC66-01746A	LEVER-T2 L	1	SNA	A	
5.5-4	JC61-01469A	HOLDER-M-LOCATE SHAFT	2	SNA	A	
5.5-5	JC66-01745A	GEAR-RDCN T2 DRIVE	1	SA	B	
5.5-6	JC61-02380A	PLATE-GND	1	SNA	A	
5.5-7	JC66-01072A	SHAFT-LOCATE	1	SNA	B	
5.5-8	JC70-10232A	IPR-PLATE SAW	1	SA	B	
5.5-9	JC61-01543A	BUSH-CHARGE LEFT	1	SNA	B	
5.5-10	6107-001278	SPRING-CS	2	SA	B	
5.5-11	6107-001246	SPRING-CS	2	SA	B	
5.5-12	JC66-01781A	ROLLER-TRANSFER	1	SNA	A	
5.5-13	JC66-01743A	GEAR-T2 ROLLER	1	SA	B	

Frame1 Parts List

SA : SERVICEAVAILABLE, SNA : SERVICE not AVAILABLE

Drawer#	SEC_code	Description	QT'y	Service	Grade	Remark
5.6-0	JC97-03020A	MEA UNIT-FRAME	1	SA	B	
5.6-5	6003-000152	SCREW-TAPTITE	2	SA	B	
5.6-6	6003-000196	SCREW-TAPTITE	25	SA	A	
5.6-7	6006-001078	SCREW-TAPTITE	1	SNA	B	
5.6-9	6044-000001	RING-CS	3	SNA	B	
5.6-15	JC33-00026A	SOLENOID-PICK UP	1	SA	A	
5.6-20	JC39-00906A	HARNESS-CRUMJOINT	1	SNA	B	
5.6-26	JC61-01548A	HOLDER-M-CAM	1	SNA	A	
5.6-27	JC61-02326A	FRAME-BASE MILLET	1	SNA	A	
5.6-30	JC61-02369A	PLATE-GROUND OPC L	1	SNA	A	
5.6-32	JC61-02376A	PLATE-GROUND FUSER	1	SNA	A	
5.6-33	JC61-02377A	PLATE-GROUND REGI	1	SNA	A	
5.6-34	JC61-02379A	PLATE-GROUND T2	1	SNA	A	
5.6-35	JC61-02415A	SPRING ETC-OPC L	1	SA	A	
5.6-36	JC61-02416A	SPRING ETC-ITB R	1	SA	A	
5.6-37	JC61-02417A	SPRING ETC-ITB L	1	SA	A	
5.6-40	JC61-02474A	GUIDE-DEVE	1	SNA	A	
5.6-41	JC61-40001A	FOOT-ML80	4	SA	A	
5.6-42	JC61-70940A	SPRING ETC-TR(12)	1	SA	A	
5.6-43	JC63-01592A	COVER-GROUND OPC	1	SNA	A	
5.6-45	JC64-00349A	BUTTON-SUPPORT	1	SNA	B	
5.6-56	JC63-01779A	SHEET-DEFLECTION	2	SNA	B	
5.6-58	JC92-01982A	PBA SUB-OPE	1	SA	A	
5.6-59	JC92-02003A	PBA SUB-5V_SWITCH	1	SA	A	
5.6-60	JC96-04757A	ELA UNIT-PTL LAMP	1	SA	A	
5.6-62	JC96-04939A	ELA HOU-ITB_OPC	1	SNA	D	
5.6-63	JC97-01771A	MEA UNIT-TERMINAL S	2	SA	A	
5.6-64	JC97-02638A	MEA UNIT-TERMINAL GND	1	SA	A	
5.6-67	JC97-03028A	MEA UNIT-PICK UP ROLL	1	SA	A	
5.6-69	JC97-03030A	MEA UNIT-ACT REGI	1	SA	A	

5.7 Frame2

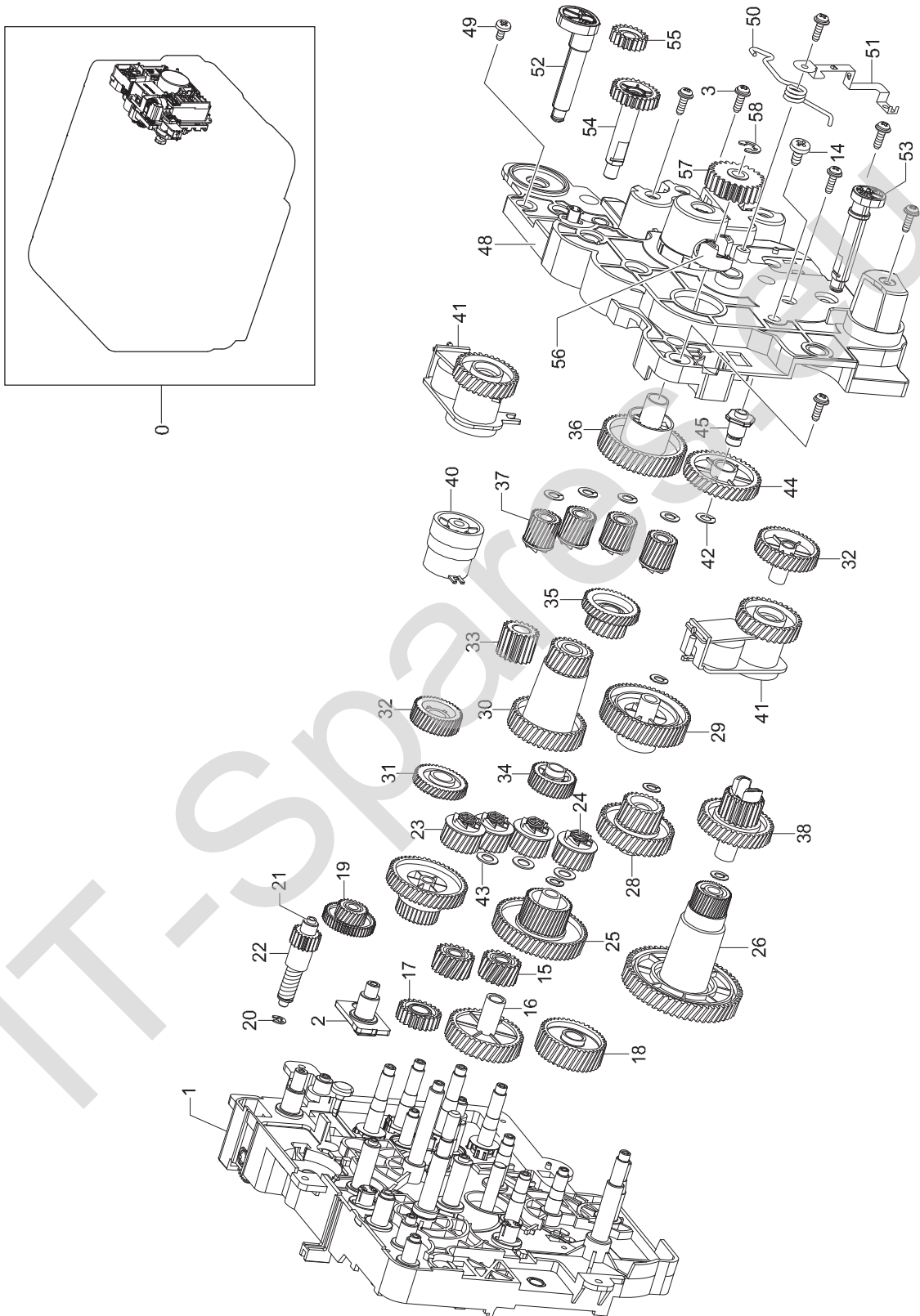


Frame2 Parts List

SA : SERVICEAVAILABLE, SNA : SERVICE not AVAILABLE

Drawer#	SEC_code	Description	QT'y	Service	Grade	Remark
5.7-0	JC97-03020A	MEA UNIT-FRAME	1	SA	B	
5.7-6	6003-000196	SCREW-TAPTITE	25	SA	A	
5.7-8	6031-001255	WASHER-PLAIN	1	SA	B	
5.7-9	6044-000001	RING-CS	3	SNA	B	
5.7-10	6044-000125	RING-E	2	SA	B	
5.7-11	6107-001309	SPRING-CS	2	SA	B	
5.7-13	6107-001409	SPRING-CS	2	SA	A	
5.7-14	6502-001093	CABLE CLAMP	2	SA	A	
5.7-24	JC47-00019A	CLUTCH-DEVE CAM	1	SNA	B	
5.7-25	JC47-00020A	CLUTCH-FUSER CAM	1	SNA	A	
5.7-27	JC61-02326A	FRAME-BASE MILLET	1	SNA	A	
5.7-28	JC61-02357A	GUIDE-RAIL R	1	SNA	A	
5.7-29	JC61-02359A	GUIDE-RAIL L	1	SNA	A	
5.7-31	JC61-02372A	BUSH-D6/L4	2	SA	B	
5.7-38	JC61-02425A	HOLDER-CLUTCH	1	SA	A	
5.7-39	JC61-02473A	PLATE-SWITCH	1	SNA	A	
5.7-44	JC63-01654A	SHIELD-SMPS	1	SNA	A	
5.7-46	JC64-00350A	SHUTTER-LSU	1	SNA	A	
5.7-47	JC64-00365A	LOCKER-ITB	2	SA	A	
5.7-48	JC66-00050A	CAM-CATCH	2	SA	A	
5.7-49	JC66-01120A	SHAFT-FEED IDLE	1	SNA	A	
5.7-50	JC66-01207A	SHAFT-M-CLUTCH FUSER	1	SA	B	
5.7-51	JC66-01721A	GEAR-REGI DRIVE	1	SA	B	
5.7-52	JC66-01722A	GEAR-REGI RELAY	1	SA	B	
5.7-53	JC66-01740A	LINK-LSU	2	SNA	A	
5.7-54	JC66-01777A	ROLLER-REGI	1	SNA	B	
5.7-55	JC67-00168A	BRUSH-LSU	1	SNA	A	
5.7-57	JC72-00102A	PMO-BUSHING_TR(L)	2	SA	A	
5.7-61	JC96-04756A	ELA UNIT-SENSOR WASTE	1	SA	A	
5.7-65	JC97-03024A	MEA UNIT-FRAME EXIT	1	SA	A	
5.7-66	JC97-03027A	MEA UNIT-PICK UP GEAR	1	SA	A	
5.7-68	JC97-03029A	MEA UNIT-GUIDE PICKUP	1	SA	A	

5.8 Main Drive1



Main Drive1 Parts List

SA : SERVICEAVAILABLE, SNA : SERVICE not AVAILABLE

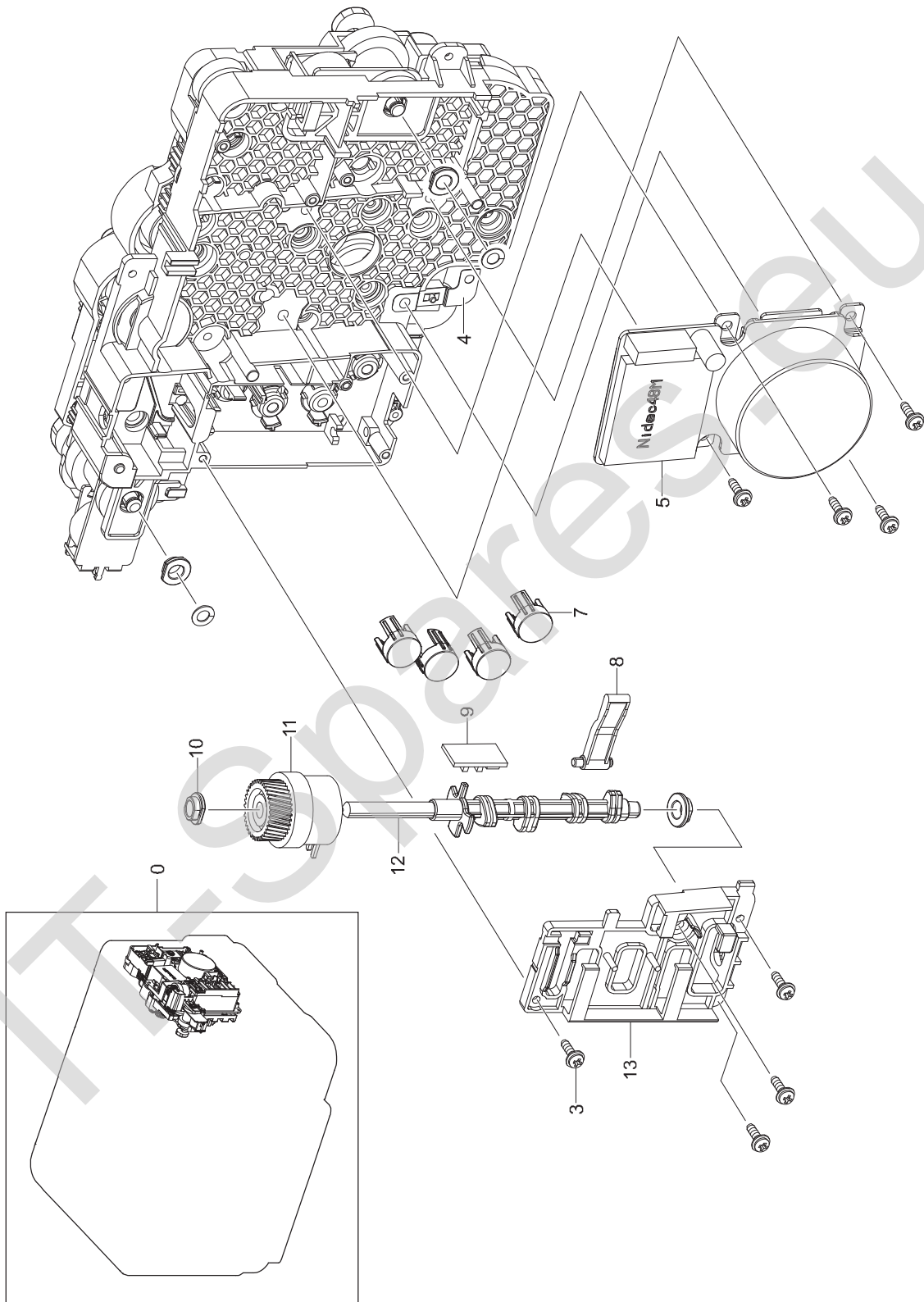
Drawer#	SEC_code	Description	QT'y	Service	Grade	Remark
5.8-0	JC96-04750A	ELA UNIT-DRIVE MAIN	1	SA	B	
5.8-1	JC61-02273A	BRACKET-DRIVE MAIN	1	SNA	B	
5.8-2	JC61-02279A	BRACKET-STUD	1	SNA	B	
5.8-3	6002-000440	SCREW-TAPPING	21	SA	B	
5.8-14	6003-000310	SCREW-TAPTITE	1	SNA	B	
5.8-15	JC66-01042A	GEAR-IDLE DEVE Z19	2	SA	B	
5.8-16	JC66-01716A	GEAR-IDLE Z39	1	SNA	B	
5.8-17	JC66-01707A	GEAR-EXIT IDLE	1	SNA	B	
5.8-18	JC66-01714A	GEAR-IDLE ITB Z57	1	SNA	B	
5.8-19	JC66-01697A	GEAR-RDCN DEVE CAM	1	SNA	B	
5.8-20	6044-000159	RING-C	1	SA	D	
5.8-21	JC66-01060A	SHAFT-WORM GEAR	1	SNA	B	
5.8-22	JC66-01057A	GEAR-WORM DEVE CAM	1	SA	B	
5.8-23	JC66-01705A	GEAR-DEVE COUPLING	4	SNA	B	
5.8-24	6107-001362	SPRING-CS	4	SA	B	
5.8-25	JC66-01848A	GEAR-RDCN OPC	1	SNA	B	
5.8-26	JC66-01693A	GEAR-ITB DRIVE	1	SNA	B	
5.8-27	JC66-01728A	GEAR-RDCN EXIT	1	SNA	B	
5.8-28	JC66-01727A	GEAR-RDCN P_PARH	1	SNA	B	
5.8-29	JC66-01725A	GEAR-RDCN DEVE	1	SNA	B	
5.8-30	JC66-01698A	GEAR-OPC DRIVE	1	SNA	B	
5.8-31	JC66-01704A	GEAR-DEVE CLUTCH Z27	1	SNA	B	
5.8-32	JC66-01710A	GEAR-IDLE CLUTCH CAM	1	SNA	B	
5.8-33	JC66-01708A	GEAR-EXIT RELAY	1	SNA	B	
5.8-34	JC66-01711A	GEAR-IDLE FUSER CAM	1	SNA	B	
5.8-35	JC66-01729A	GEAR-RDCN FUSER CAM	1	SNA	B	
5.8-36	JC66-01709A	GEAR-FUSER DRIVE	1	SNA	B	
5.8-37	JC66-01706A	GEAR-DEVE DRIVE	4	SNA	B	
5.8-38	JC66-01718A	GEAR-PICK UP DRIVE	1	SNA	B	
5.8-39	JC66-01715A	GEAR-IDLE Z32	1	SNA	B	
5.8-40	JC47-00022A	CLUTCH-FUSER CAM	1	SA	A	
5.8-41	JC47-00007F	CLUTCH-ITB CAM	2	SA	A	
5.8-42	6031-001490	WASHER-PLAIN	13	SNA	B	
5.8-43	6031-001255	WASHER-PLAIN	4	SA	B	
5.8-44	JC66-01717A	GEAR-IDLE Z39 F	1	SNA	B	
5.8-45	JC66-01061A	SHAFT-IDLE D8	1	SNA	B	
5.8-48	JC61-02243A	BRACKET-DRIVE FRONT	1	SNA	B	
5.8-49	6001-000130	SCREW-MACHINE	3	SA	B	
5.8-50	JC61-02419A	SPRING ETC-GROUND OPC	1	SA	B	

Main Drive1 Parts List

SA : SERVICEAVAILABLE, SNA : SERVICE not AVAILABLE

Drawer#	SEC_code	Description	QT'y	Service	Grade	Remark
5.8-51	JC61-02373A	PLATE-GROUND OPC	1	SNA	B	
5.8-52	JC66-01724A	SHAFT-ITB CLEAN CAM	1	SNA	B	
5.8-53	JC66-01723A	SHAFT-T2 CAM	1	SNA	B	
5.8-54	JC66-01713A	GEAR-ITB TENSION CAM	1	SNA	B	
5.8-55	JC66-01712A	GEAR-IDLE ITB TENSION	1	SNA	B	
5.8-56	JC66-01070A	LATCH-M-HUB CLUTCH	1	SNA	A	
5.8-57	JC66-01155A	GEAR-FUSER RDCN OUT V	1	SNA	A	
5.8-58	6044-000231	RING-E	2	SA	A	

5.9 Main Drive2

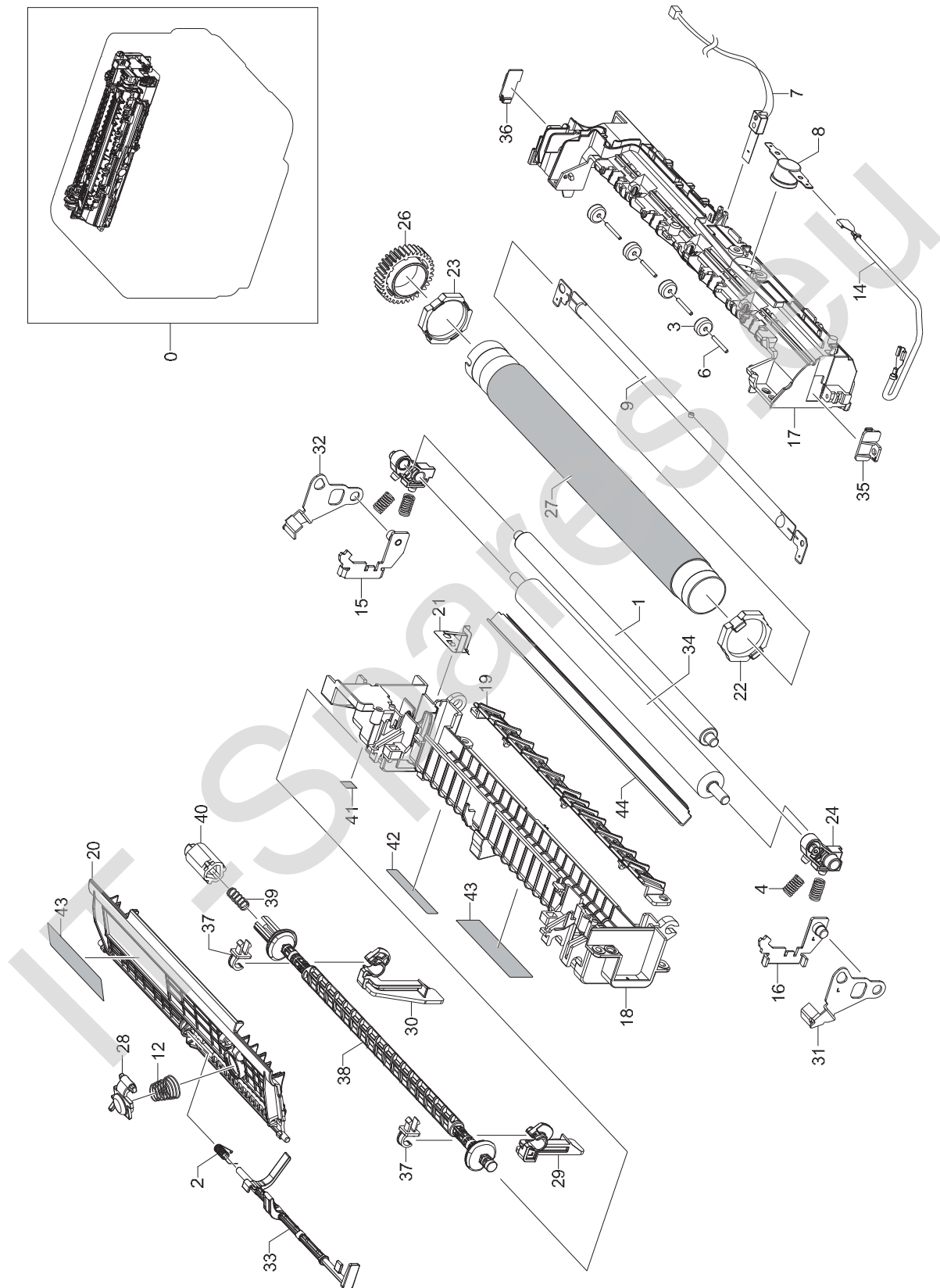


Main Drive2 Parts List

SA : SERVICEAVAILABLE, SNA : SERVICE not AVAILABLE

Drawer#	SEC_code	Description	QT'y	Service	Grade	Remark
5.9-0	JC96-04750A	ELA UNIT-DRIVE MAIN	1	SA	B	
5.9-4	JC61-02374A	PLATE-GROUND MOTOR	1	SNA	B	
5.9-5	JC31-00091A	MOTORBLDC	1	SA	A	
5.9-6	6003-000301	SCREW-TAPTITE	1	SNA	B	
5.9-7	JC67-00278A	CAP-PUSH COUPLING	4	SNA	B	
5.9-8	JC66-01726A	LINK-PUSHBLACK CAP	1	SNA	B	
5.9-9	JC92-01986A	PBA SUB-DEVEHOME	1	SNA	A	
5.9-10	JC61-02372A	BUSH-D6/L4	4	SA	B	
5.9-11	JC47-00019A	CLUTCH-DEVE CAM	1	SNA	B	
5.9-12	JC66-01720A	SHAFT-DEVE CAM	1	SNA	B	
5.9-13	JC61-02292A	HOLDER-DEVE CAM	1	SNA	B	

5.10 Fuser Unit



Fuser Unit Parts List

SA : SERVICEAVAILABLE, SNA : SERVICE not AVAILABLE

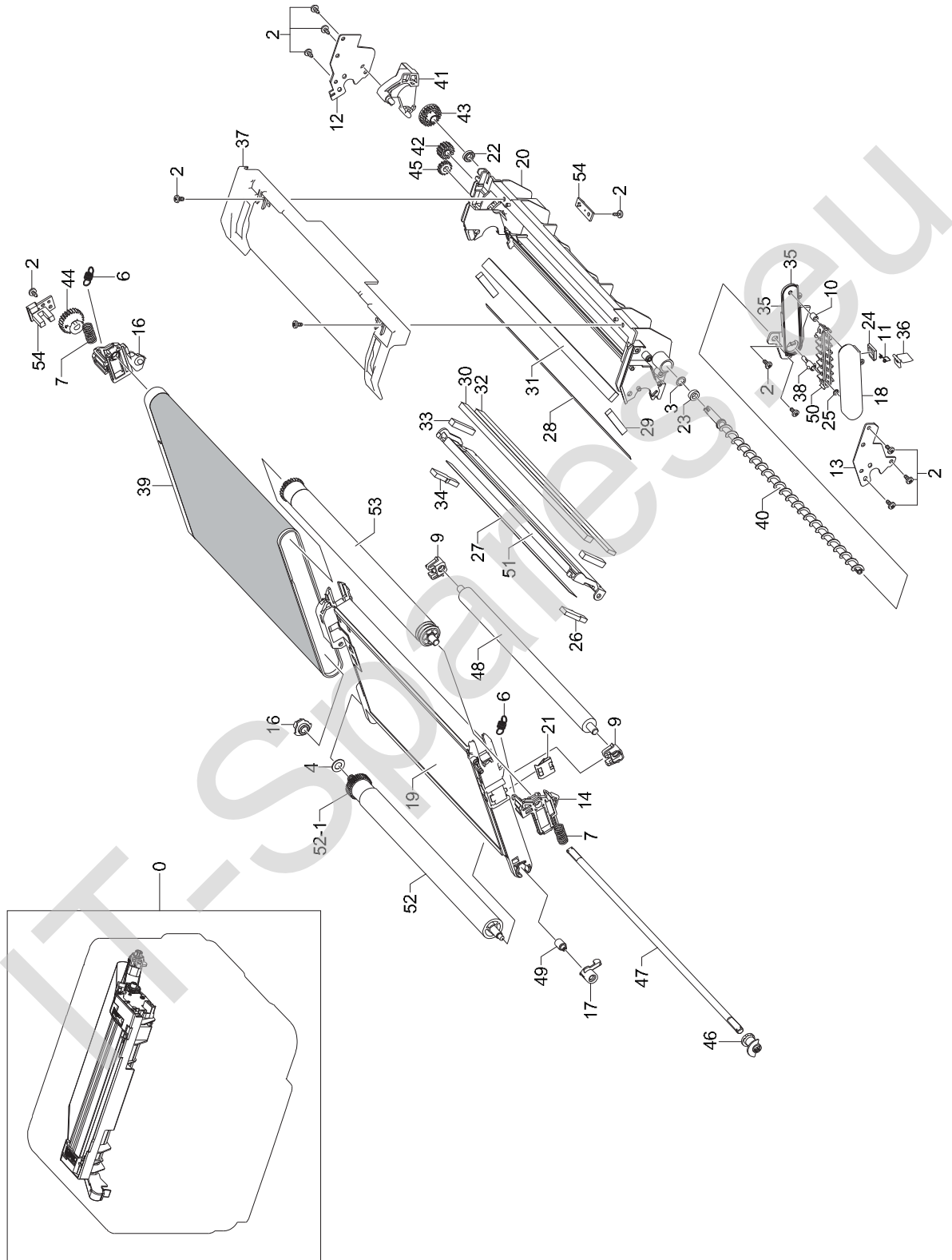
Drawer#	SEC_code	Description	QT'y	Service	Grade	Remark
5.10-0	JC96-04780A	ELA UNIT-FUSER	1	SA	A	220V
5.10-0	JC96-04781A	ELA UNIT-FUSER	1	SA	A	110V
5.10-1	JC66-01804A	ROLLER-PRESSURE SHAFT	1	SNA	A	
5.10-2	JC61-01271A	SPRING ETC-ACTUATOR	1	SNA	B	
5.10-3	JC66-01813A	ROLLER-IDLE	4	SNA	B	
5.10-4	6107-001397	SPRING CS	4	SA	B	
5.10-6	JC66-01872A	SHAFT-ROLLER IDLE	4	SNA	C	
5.10-7	1404-001141	THERMISTOR-NTC	1	SNA	A	
5.10-8	4712-001027	THERMOSTAT	1	SA	A	
5.10-9	4713-001210	LAMP-HALOGEN	1	SA	B	220V
5.10-9	4713-001209	LAMP-HALOGEN	1	SA	B	110V
5.10-10	6003-000196	SCREW-TAPTITE	28	SA	A	
5.10-11	6003-000261	SCREW-TAPTITE	3	SNA	D	
5.10-12	6107-001169	SPRING-CS	1	SA	D	
5.10-13	JC39-00500A	CBF HARNESS-FUSE_LINK1	1	SA	A	
5.10-15	JC61-02287A	HOLDER-BUSH R	1	SNA	B	
5.10-16	JC61-02290A	HOLDER-BUSH L	1	SNA	B	
5.10-17	JC61-02320A	FRAME-UPPER FUSER	1	SNA	B	
5.10-18	JC61-02322A	FRAME-LOWER FUSER	1	SNA	B	
5.10-19	JC61-02361A	GUIDE-INPUT FUSER	1	SNA	B	
5.10-20	JC61-02364A	GUIDE-OUTPUT FUSER	1	SNA	B	
5.10-21	JC61-02371A	PLATE-GROUND FUSER	1	SNA	B	
5.10-22	JC61-02392A	BUSH-HR L	1	SNA	B	
5.10-23	JC61-02393A	BUSH-HR R	1	SNA	B	
5.10-24	JC61-02408A	BUSH-2PR R	1	SNA	B	
5.10-25	JC61-02409A	BUSH-2PR L	1	SNA	B	
5.10-26	JC66-01699A	GEAR-FUSER	1	SA	B	
5.10-27	JC66-01078A	ROLLER-HEAT	1	SA	B	
5.10-28	JC66-01695A	LEVER-COVER OPEN	1	SNA	B	
5.10-29	JC66-01700A	LEVER-JAM L	1	SNA	B	
5.10-30	JC66-01701A	LEVER-JAM R	1	SNA	B	
5.10-31	JC66-01738A	LEVER-RELEASE L	1	SNA	B	
5.10-32	JC66-01742A	LEVER-RELEASE R	1	SNA	B	
5.10-33	JC66-01775A	ACTUATOR-EXIT FUSER	1	SNA	B	
5.10-34	JC66-01780A	ROLLER-PRESSURE	1	SA	A	
5.10-35	JC67-00280A	CAP-FUSER L	1	SNA	B	
5.10-36	JC67-00281A	CAP-FUSER R	1	SNA	B	
5.10-37	JC61-02411A	BUSH-TX	2	SNA	B	
5.10-38	JC66-01737A	SHAFT-CAM FUSER	1	SNA	B	

Fuser Unit Parts List

SA : SERVICEAVAILABLE, SNA : SERVICE not AVAILABLE

Drawer#	SEC_code	Description	QT'y	Service	Grade	Remark
5.10-39	6107-001290	SPRING-CS	1	SA	B	
5.10-40	JC61-01647A	HOLDER-M-SHAFT FUSER	1	SNA	A	
5.10-41	JC68-00407A	LABEL(R)-HV FUSER	1	SNA	-	
5.10-42	JC68-01134A	LABEL(P)-BLANK(FUSER)	1	SNA	-	
5.10-43	JC68-01581A	LABEL(P)-CAUTION HOT	2	SNA	-	
5.10-44	JC97-03034A	MEA-GUIDE PR	1	SNA	A	

5.11 Cartridge Transfer Unit



Cartridge Transfer Unit Parts List

SA : SERVICEAVAILABLE, SNA : SERVICE not AVAILABLE

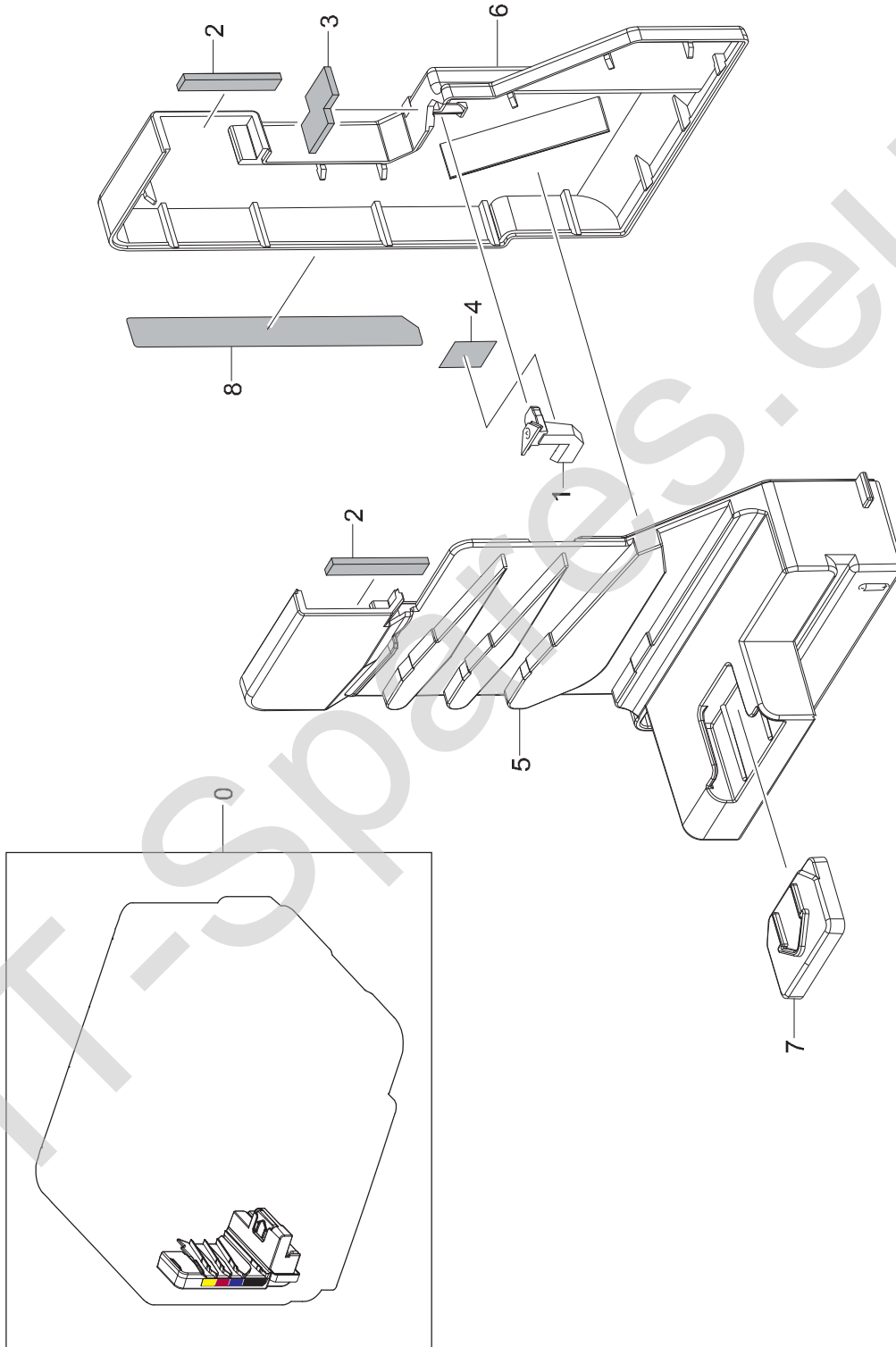
Drawer#	SEC_code	Description	QT'y	Service	Grade	Remark
5.11-0	JC96-04840A	CARTRIDGE-TRANSFER	1	SA	A	110V
5.11-0	JC96-04840B	CARTRIDGE-TRANSFER	1	SA	A	220V
5.11-2	6003-000282	SCREW-TAPTITE	2	SA	A	
5.11-3	6031-000019	WASHER-PLAIN	1	SA	A	
5.11-4	6031-001547	WASHER-PLAIN	1	SNA	B	
5.11-5	6107-001356	SPRING-CS	2	SNA	B	
5.11-6	6107-001357	SPRING-ES	2	SNA	A	
5.11-7	6107-001358	SPRING-CS	2	SNA	B	
5.11-9	JC61-01093A	HOLDER-M-TRANSFER	2	SNA	B	
5.11-10	JC61-01542A	BUSH-IDLER WASTEBELT	1	SNA	B	
5.11-11	JC61-01701A	SPRING ETC-SHUTTER	1	SNA	A	
5.11-12	JC61-02280A	BRACKET-SIDE ITB R	1	SNA	A	
5.11-13	JC61-02285A	BRACKET-SIDE ITB L	1	SNA	A	
5.11-14	JC61-02289A	HOLDER-TENSION L	1	SNA	B	
5.11-15	JC61-02291A	HOLDER-DRIVE ITB R	1	SNA	B	
5.11-16	JC61-02296A	HOLDER-TENSION R	1	SNA	B	
5.11-17	JC61-02299A	HOLDER-DRIVE ITB L	1	SNA	A	
5.11-18	JC61-02324A	FRAME-WASTE ITB	1	SNA	B	
5.11-19	JC61-02331A	FRAME-ITB	1	SNA	B	
5.11-20	JC61-02367A	HOUSING-CLEAN ITB	1	SNA	A	
5.11-21	JC61-02375A	PLATE-HV ITB	1	SNA	B	
5.11-22	JC61-02396A	GUIDE-AUGER ITB	1	SNA	B	
5.11-23	JC62-00210A	SEAL-AUGER OPC	1	SNA	A	
5.11-24	JC62-00217A	SEAL-COVER WASTE	1	SNA	A	
5.11-25	JC62-00258A	SEAL-WASTE OPC	1	SNA	A	
5.11-26	JC62-00435A	SEAL-BLADE ITB R	1	SNA	A	
5.11-27	JC62-00444A	SEAL-BRACKET ITB	1	SNA	A	
5.11-28	JC62-00445A	SEAL-HOUSING ITB	1	SNA	A	
5.11-29	JC62-00465A	SEAL-BACK ITB L	2	SNA	A	
5.11-30	JC62-00466A	SEAL-TOP ITB	1	SNA	A	
5.11-31	JC62-00467A	SEAL-LOW ITB	1	SNA	A	
5.11-32	JC62-00468A	SEAL-BACK ITB	1	SNA	A	
5.11-33	JC62-00469A	SEAL-SIDE ITB	2	SNA	A	
5.11-34	JC62-00470A	SEAL-BLADE ITB L	1	SNA	A	
5.11-35	JC63-01627A	COVER-WASTE ITB	1	SNA	B	
5.11-36	JC63-01630A	COVER-WASTE EXIT	1	SNA	B	
5.11-37	JC63-01634A	COVER-CLEAN ITB	1	SNA	B	
5.11-38	JC66-01083A	SHAFT-M-BELT WASTE	1	SNA	B	
5.11-39	JC66-01873A	DRUM-ITBBELT	1	SNA	B	

Cartridge Transfer Unit Parts List

SA : SERVICEAVAILABLE, SNA : SERVICE not AVAILABLE

Drawer#	SEC_code	Description	QT'y	Service	Grade	Remark
5.11-40	JC66-01751A	SHAFT-AUGER ITB	1	SNA	B	
5.11-41	JC66-01767A	LEVER-BLADE ITB	1	SNA	B	
5.11-42	JC66-01768A	GEAR-IDLE02 ITB	1	SNA	B	
5.11-43	JC66-01769A	GEAR-AUGER ITB	1	SNA	B	
5.11-44	JC66-01770A	GEAR-CAM R TENSION	1	SNA	B	
5.11-45	JC66-01773A	GEAR-IDLE01 ITB	1	SNA	B	
5.11-46	JC66-01778A	CAM-R TENSION	1	SNA	B	
5.11-47	JC66-01797A	SHAFT-R TENTION	1	SNA	B	
5.11-48	JC66-01851A	ROLLER-TRANSFER1	1	SNA	A	
5.11-49	JC71-00009A	NPM-BUSHING DEV R	1	SNA	D	
5.11-50	JC73-00222A	RUBBER-BELT WASTE ITB	1	SNA	B	
5.11-51	JC97-03079A	MEA UNIT-BLADE ITB	1	SNA	A	
5.11-52	JC97-03080A	MEA UNIT-ROLL DRV ITB	1	SNA	A	
5.11-52-1	JC66-01771A	GEAR-DRIVE ITB	1	SNA	B	
5.11-53	JC97-03125A	MEA UNIT-ROLL TENSION	1	SNA	A	
5.11-54	JC96-04938A	ELA HOU-ITB_TEMP	1	SNA	A	

5.12 Tank Waste Unit

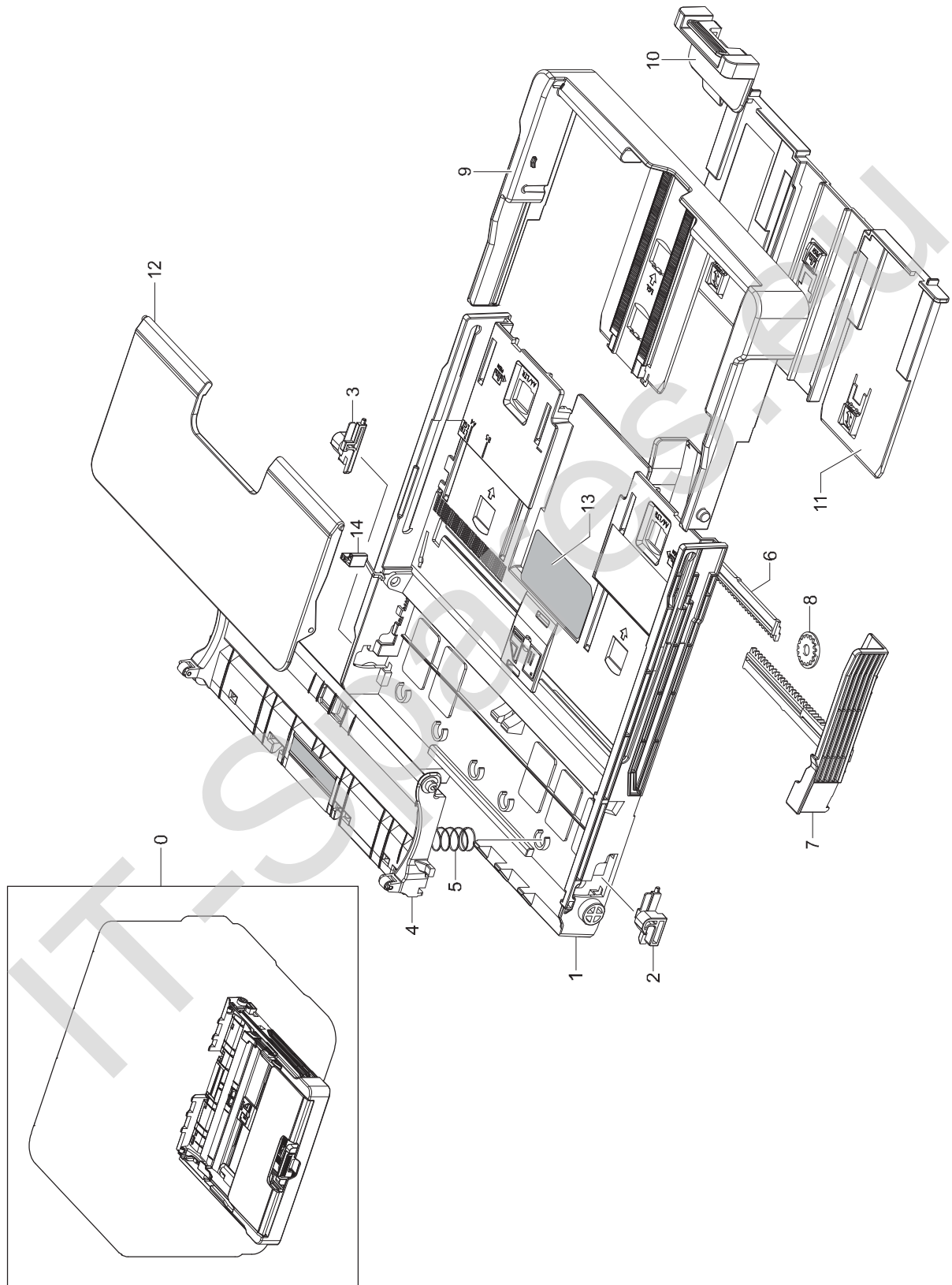


Tank Waste Unit Parts List

SA : SERVICEAVAILABLE, SNA : SERVICE not AVAILABLE

Drawer#	SEC_code	Description	QT'y	Service	Grade	Remark
5.12-0	JC97-03021A	MEA UNIT-TANK WASTE	1	SA	B	
5.12-1	JC61-02366A	GUIDE-WASTE	1	SNA	B	
5.12-2	JC62-00429A	SEAL-WASTE SIDE	2	SNA	A	
5.12-3	JC62-00430A	SEAL-WASTE SENSOR	1	SNA	A	
5.12-4	JC63-01672A	SHEET-WASTE	1	SNA	A	
5.12-5	JC67-00268A	TANK-WASTE UPPER	1	SNA	B	
5.12-6	JC67-00269A	TANK-WASTE LOWER	1	SNA	B	
5.12-7	JC67-00279A	CAP-WASTEBOTTLE	1	SNA	A	
5.12-8	JC68-01995A	LABEL-INFORMATION	1	SNA	A	

5.13 Cassette



Cassette Parts List

SA : SERVICEAVAILABLE, SNA : SERVICE not AVAILABLE

Drawer#	SEC_code	Description	QT'y	Service	Grade	Remark
5.13-0	JC97-03036A	MEA UNIT-CASSETTE,Black	1	SA	A	315
5.13-0	JC97-03036B	MEA UNIT-CASSETTE,Gray	1	SA	A	310/310N
5.13-1	JC61-02327A	FRAME-SEMI CASSETTE	1	SNA	B	315
5.13-1	JC61-02327B	FRAME-SEMI CASSETTE	1	SNA	B	310/310N
5.13-2	JC64-00222A	LOCKER-M-KNOCK UP R	1	SA	B	
5.13-3	JC64-00223A	LOCKER-M-KNOCK UP L	1	SA	B	
5.13-4	JC97-03040A	MEA UNIT-PLATE K_UP	1	SA	A	315
5.13-4	JC97-03040B	MEA UNIT-PLATE K_UP	1	SA	A	310/310N
5.13-5	6107-001325	SPRING-CS	2	SNA	B	
5.13-6	JC70-00516A	ADJUST-M-CASSETTE R	1	SA	A	
5.13-7	JC70-00517A	ADJUST-M-CASSETTE L	1	SA	A	
5.13-8	JG66-40003A	GEAR-PINION	1	SA	A	
5.13-9	JC63-00869A	TRAY-M-EXTENSION SMALL	1	SNA	A	
5.13-10	JC61-01531A	STOPPER-M-PAPER REAR	1	SNA	A	
5.13-11	JC63-00872A	TRAY-M-EXT CASSETTE	1	SNA	A	
5.13-12	JC63-01668A	COVER-CST	1	SA	B	
5.13-13	JF68-10532B	LABEL(P)-BAR CODE	1	SNA	-	
5.13-14	JC61-02484A	STOPPER-ADJUSTER	1	SA	A	