

7

Parts and diagrams

This chapter contains the following sections.

Accessories.....	251
Memory.....	251
Print cartridges and toner supplies.....	251
Cables.....	251
Common hardware	252
Parts kits.....	253
How to use the parts lists and diagrams.....	253
Scanner assemblies.....	254
External assemblies.....	262
Internal assemblies.....	268

Accessories

Memory

Table 7-2. Memory modules

Product name	Description	Part number
Dual inline memory module (DIMM)	8 MB	C7842A
DIMM	16 MB	C7843A
DIMM	32 MB	C7845A
DIMM	64 MB	C7846A

Print cartridges and toner supplies

Table 7-3. Print cartridges and toner cloth

Product name	Description	Part number
Print cartridge	2,500-page cartridge	C7115A
Print cartridge	3,500-page cartridge	C7115X
Toner cloth	Ideal for wiping up toner spills	5090-3379

Cables

Table 7-4. Cables and power cords

Product name	Description	Part number
Parallel cable	2-meter (6.6-foot) IEEE-1284 parallel cable	C2950A
Parallel cable	3-meter (9.8-foot) IEEE-1284 parallel cable	C2951A
USB cable	2-meter (6.6-foot) USB cable	8121-0539
USB cable	0.6-meter (2-foot) USB cable	8121-0549
Fax telephone cord	2-wire, 3-meter (9.8-foot) fax telephone cord	8121-0811
Power cord, 1.8 m (6 feet)	U.S./Canada	8120-8382
Power cord, 1.8 m (6 feet)	Europe	8120-0516
Power cord, 1.8 m (6 feet)	Switzerland	8120-0519

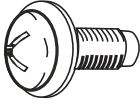
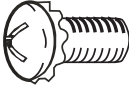
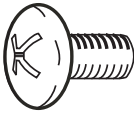
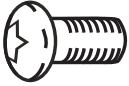
Table 7-4. Cables and power cords (continued)

Product name	Description	Part number
Power cord, 1.8 m (6 feet)	UK	8120-0517
Power cord, 1.8 m (6 feet)	Danish	8120-0518
Power cord, 1.8 m (6 feet)	South America	8120-0520
Power cord, 1.8 m (6 feet)	Israel	8120-0521

Common hardware

The product has four common fasteners. See [Table 7-5. Common fasteners](#) for a description of these screw types.

Table 7-5. Common fasteners

Example	Description
	Screw, machine, truss head
	Screw, star
	Screw, self-tapping
	Screw, torx

Screws for the print engine are sold individually rather than in a kit. Consider ordering quantities of each screw that is listed in [Table 7-6. Screws for the print engine](#).

Table 7-6. Screws for the print engine

Reference	Description	Part number
S1	Screw, RS, M4x12	XA9-0722-000CN
S2	Screw, with star washer, M3x6	XA9-0828-000CN
S3	Screw, with washer, M3x8	XA9-1420-000CN
S4	Screw, M4x14	XA9-1421-000CN
S5	Screw, RS, M3x6	XA9-1495-000CN
S6	Screw, TP, M3x8	XA9-1503-000CN
S7	Screw, RS, M3x8	XA9-1504-000CN
S8	Screw, with washer, M3x6	RB9-0818-000CN

Table 7-6. Screws for the print engine (continued)

Reference	Description	Part number
S9	Screw, tap, truss head, M4x10	RB9-0819-000CN
S10	Screw, tap, binding head, M3x8	RB9-0820-000CN
S11	Screw, tap, truss head, M3x8	XB4-7300-809CN
S12	Screw, TP, M3x6	XA9-1418-000CN

Note

Screws for the scanner portion of the product are listed in the appropriate parts diagrams in this chapter.

Parts kits

The gear kit includes the following items: 19T gear, 31T gear, ratchet, and compression spring.

The service parts kit includes left and right cartridge guides and the cartridge-guide holders.

Table 7-7. Parts kits

Item	Part number
Gear kit	RY7-5081-000CN
Service parts kit	5851-1172

How to use the parts lists and diagrams

The figures in this chapter illustrate the major subassemblies in the product and their component parts. A table (material list) follows each exploded assembly diagram. Each table lists the reference designator, the associated part number for the item, and a description of the part.

Screws for the print engine are not listed in the main parts tables. For convenience, the part numbers for the screws are included within the diagrams.

Parts that have no reference designator or part number are not field-replaceable units and cannot be ordered.

While looking for a part number, pay careful attention to the voltage listed in the description column to make sure that the part number selected is for the correct product model.

Scanner assemblies

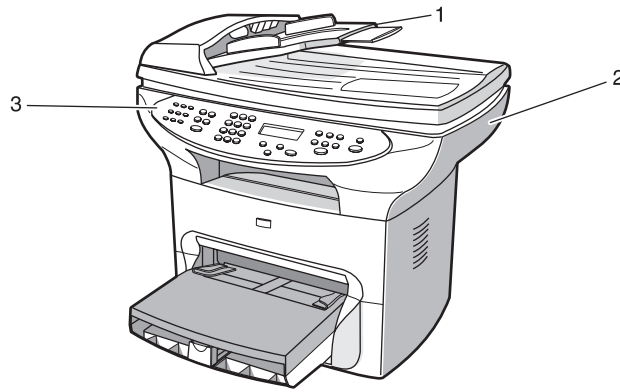


Figure 7-1. Scanner and ADF

Table 7-8. Scanner and ADF

Ref	Description	Part number	Qty
1	Automatic document feeder (ADF)	C9143-60107	1
2	Scanner assembly	C2660-60106	1
3	Control panel (see table 7-11)		

www.MK-Electronic.de

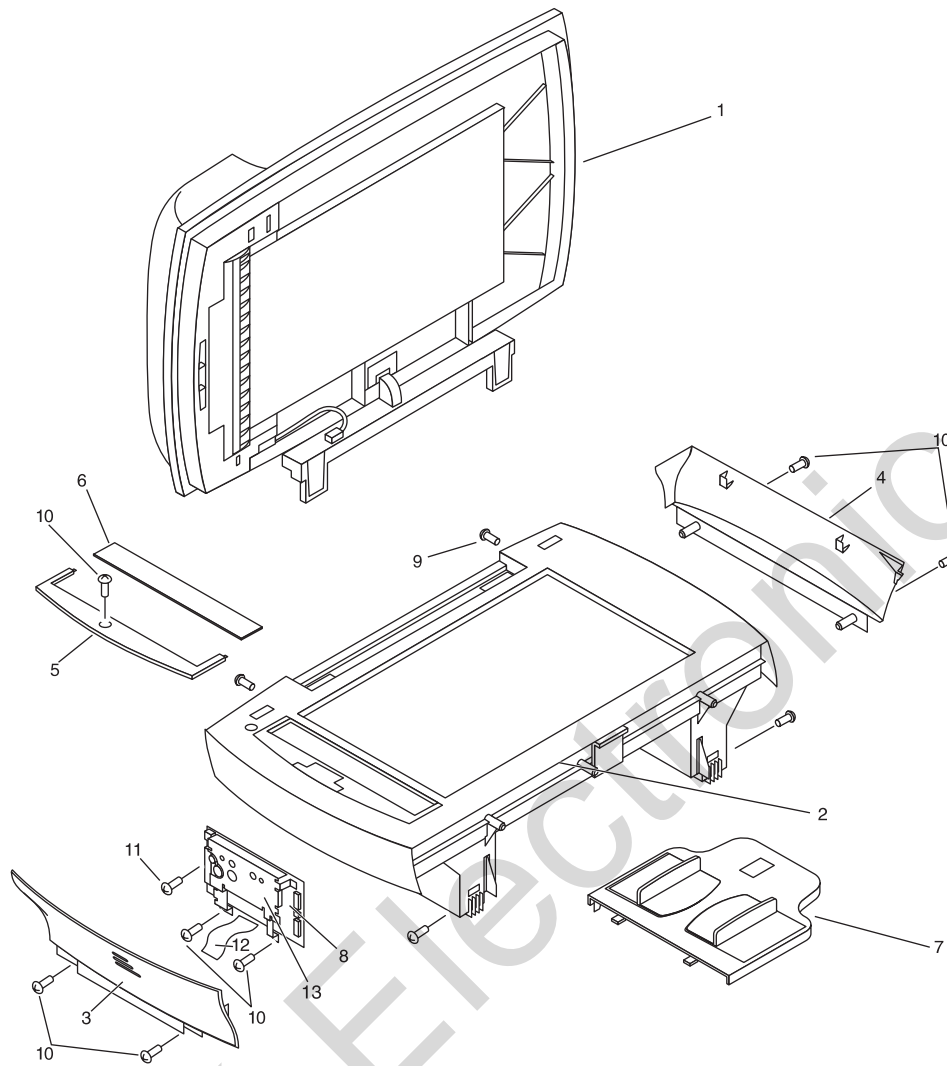


Figure 7-2. Scanner covers and ADF

Table 7-9. Scanner and ADF

Ref	Description	Part number	Qty
1	ADF	C9143-60107	1
2	Scanner assembly	Q2660-60106	1
3	Left midpanel scanner cover	C9124-40002	1
4	Right midpanel scanner cover	C9124-40003	1
5	ADF glass frame	C9124-40005	1
6	ADF glass	C7296-00014	1
7	ADF input tray	C9143-60102	1
8	Scanner PCA	Q2657-60001	1
9	Screws that secure scanner to printer	0515-4331	4
10	Screws for scanner side panels, scanner formatter, and ADF glass frame	0515-4330	7
11	Screw for scanner formatter	0515-4257	1
12	Scanner flat flexible cable (FFC) assembly (includes FCC C9124-60116 and shield)	Q2660-60103	1
13	RFI shield, ADF	C9124-00002	

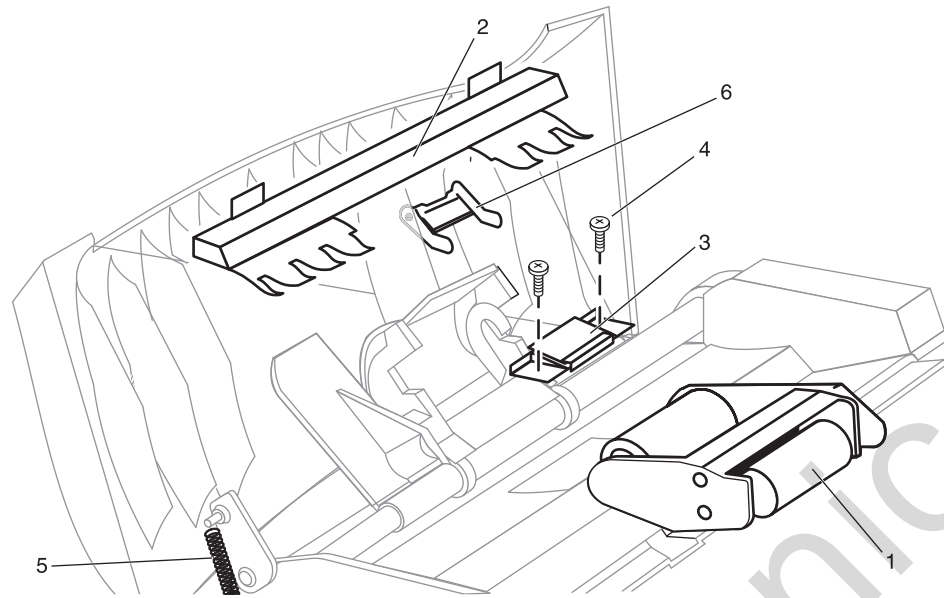


Figure 7-3. ADF rollers and separation pad

Table 7-10. ADF rollers and separation pad

Ref	Description	Part number	Qty
1	ADF pickup roller assembly	C7309-60049	1
2	ADF document feed guide	C7309-40153	1
3	ADF separation pad	C7309-60009	1
4	Torx screw	0624-1055	2
5	ADF input-tray spring	C7309-80013	1
6	ADF input-tray flag	C7309-40013	1

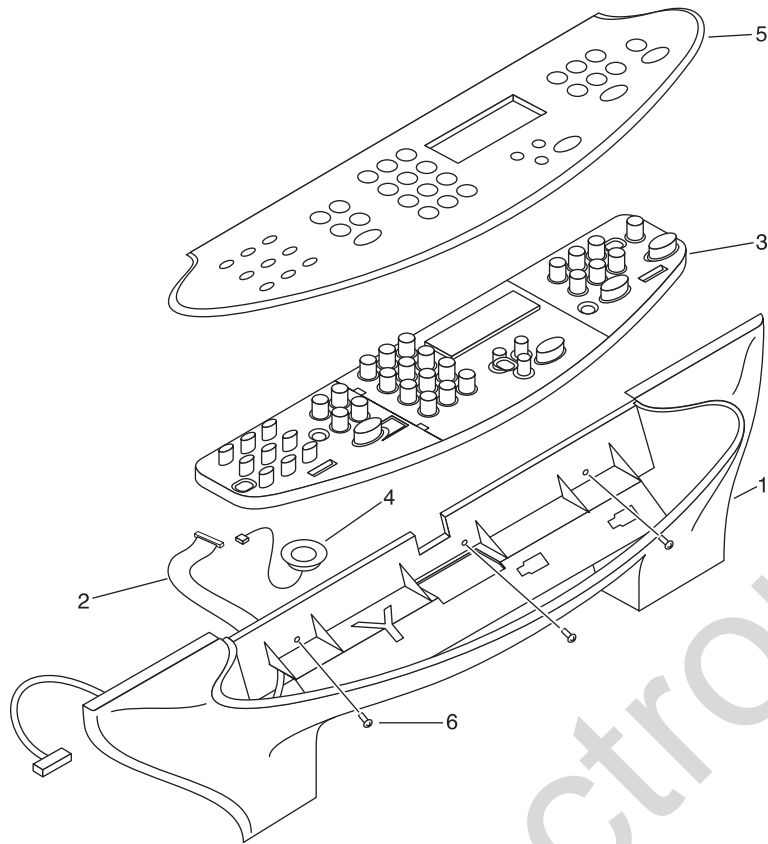


Figure 7-4. Control-panel assembly

Table 7-11. Control-panel assembly

Ref	Description	Part number	Qty
1	Control-panel chassis	C9124-40006	1
2	Control-panel cable	Q2660-60104	1
3	Control panel	Q2660-60101	1
4	Speaker	C9124-60113	1
6	Screws for control-panel chassis	0515-4330	3
5	English 3380 Bezel	Q2660-40003	
5	French 3380 Bezel	Q2660-40004	
5	German 3380 Bezel	Q2660-40005	
5	German unpainted 3380 Bezel	Q2660-40028	
5	Italian 3380 Bezel	Q2660-40006	
5	Spanish 3380 Bezel	Q2660-40007	
5	Danish 3380 Bezel	Q2660-40008	
5	Dutch 3380 Bezel	Q2660-40009	
5	Finnish 3380 Bezel	Q2660-40010	
5	Norwegian 3380 Bezel	Q2660-40026	
5	Portuguese 3380 Bezel	Q2660-40011	
5	Swedish 3380 Bezel	Q2660-40012	
5	Czech 3380 Bezel	Q2660-40013	
5	Hungarian 3380 Bezel	Q2660-40014	
5	Polish 3380 Bezel	Q2660-40015	
5	Russian 3380 Bezel	Q2660-40016	
5	Slovak 3380 Bezel	Q2660-40017	
5	Turkish 3380 Bezel	Q2660-40018	
5	Arabic 3380 Bezel	Q2660-40019	
5	Greek 3380 Bezel	Q2660-40020	
5	Hebrew 3380 Bezel	Q2660-40021	
5	Korean 3380 Bezel	Q2660-40022	
5	Simplified Chinese 3380 Bezel	Q2660-40023	
5	Traditional Chinese 3380 Bezel	Q2660-40024	
5	Thai 3380 Bezel	Q2660-40025	
5	Vietnamese 3380 Bezel	Q2660-40029	

External assemblies

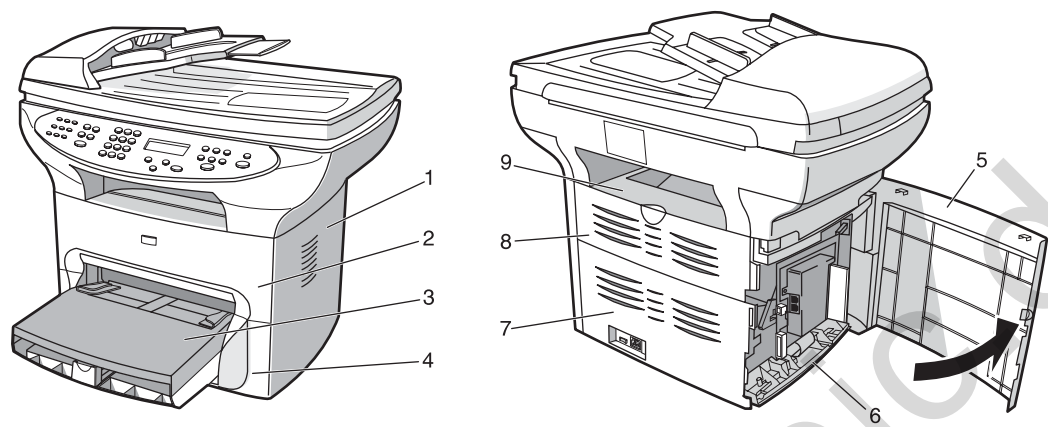


Figure 7-5. External components

Table 7-12. External components

Ref	Description	Part number	Qty
1	Right side cover	RG0-1116-000CN	1
2	Print-cartridge door	RG0-1115-000CN	1
3	Paper-tray assembly (see table 7-14)		
4	Front cover	RA0-1450-020CN	1
5	Left side cover	RG0-1113-000CN	1
6	Left bottom frame support	RA0-1470-000CN	1
7	Back cover (includes straight-through output door)	RG0-1114-000CN	1
8	Straight-through output door (includes back cover)	RG0-1114-000CN	1
9	Top cover	RF0-1100-030CN	1
	110-volt replacement unit	Q2660-60055	
	220-volt replacement unit	Q2660-60065	

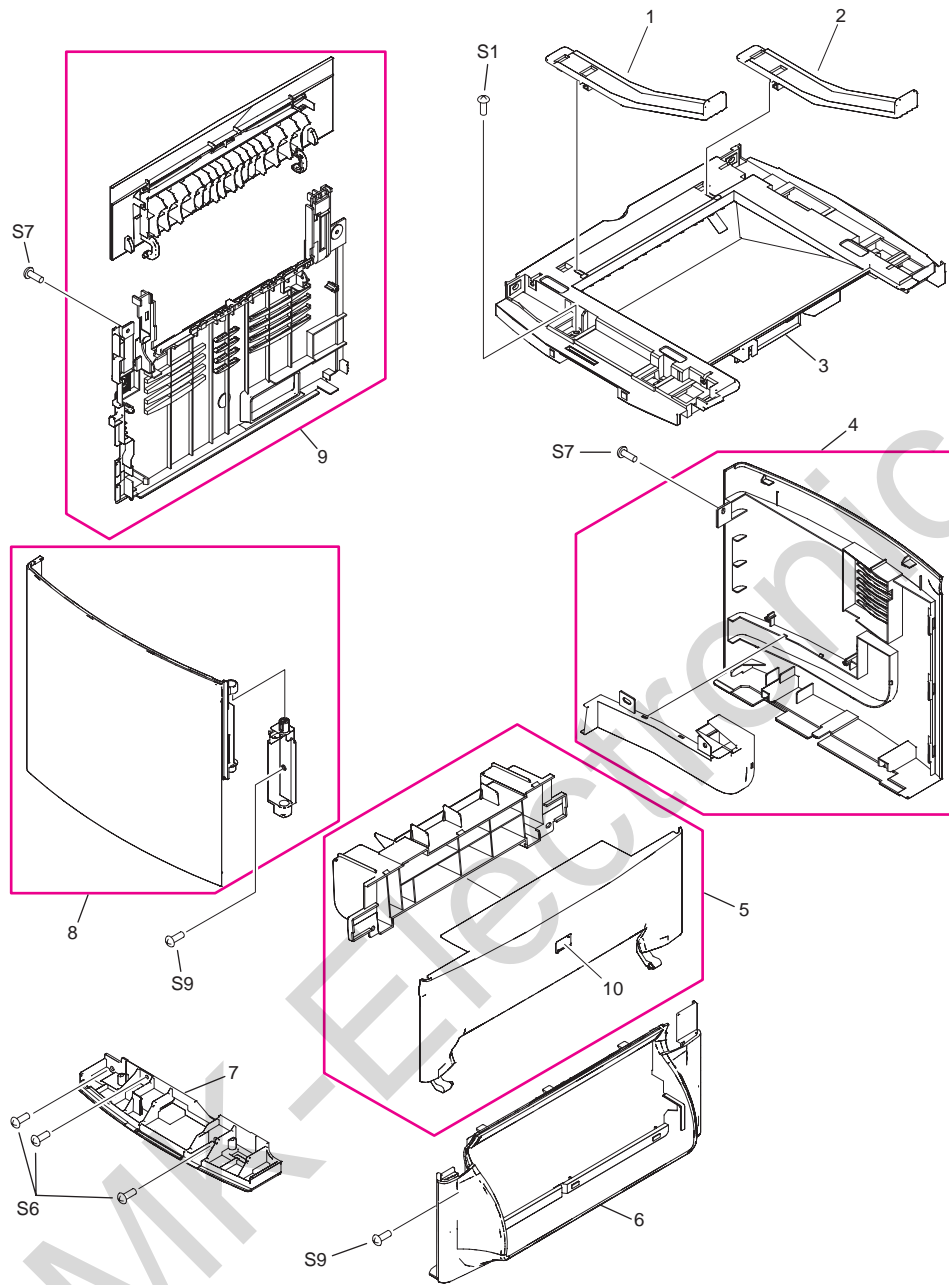


Figure 7-6. Printer covers

Table 7-13. Printer covers

Ref	Description	Part number	Qty
1	Left height guide	RC1-2191-000CN	1
2	Right height guide	RC1-2392-000CN	1
3	Cover, top	RF0-1100-030CN	1
4	Cover, right-side assembly	RG0-1116-000CN	1
5	Door, print-cartridge assembly	RG0-1115-000CN	1
6	Cover, front	RA0-1450-020CN	1
7	Support, left bottom frame	RA0-1470-000CN	1
8	Cover, left assembly	RG0-1113-000CN	1
9	Cover, back assembly	RG0-1114-000CN	1
10	HP jewel	7121-8043	1
S1	Screw, RS, M4x12	XA9-0722-000CN	1
S6	Screw, TP, M3x8	XA9-1503-000CN	3
S7	Screw, RS, M3x8	XA9-1504-000CN	2
S9	Screw, tap, truss head, M4x10	RB9-0819-000CN	2

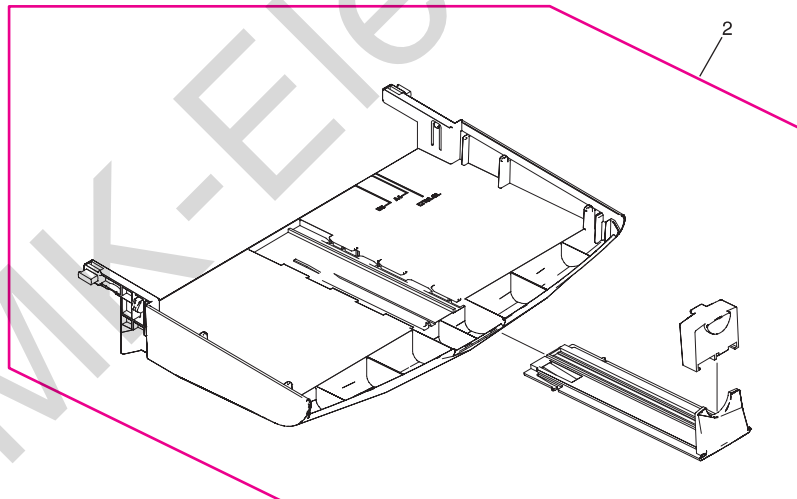
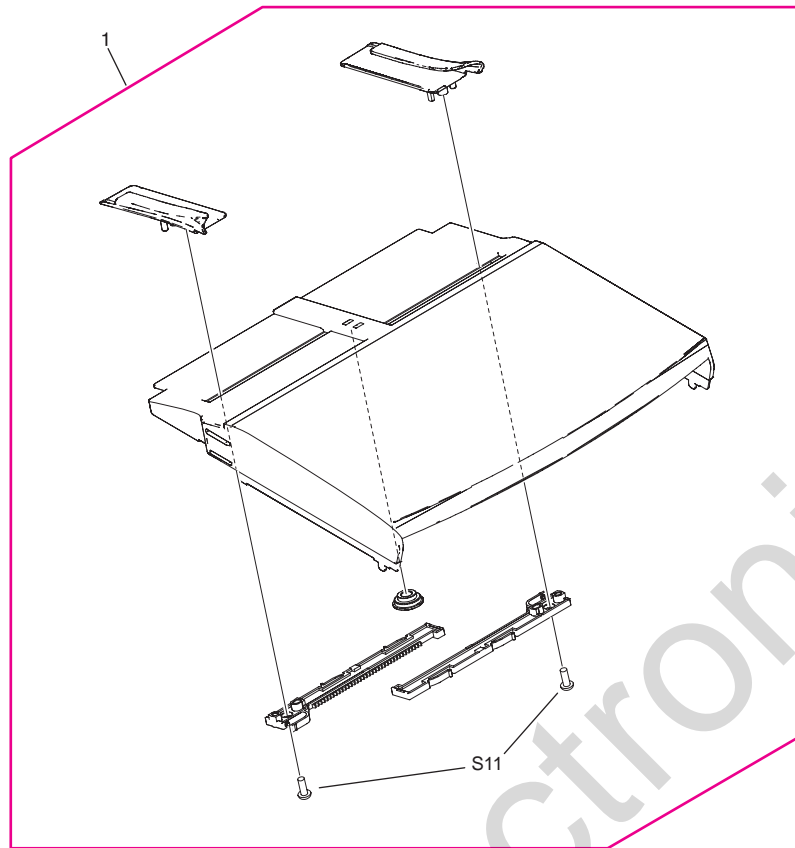


Figure 7-7. Paper tray

Table 7-14. Paper tray

Ref	Description	Part number	Qty
1	Paper-pickup cover assembly	RG0-1122-000CN	1
2	Printer pickup-tray assembly	RG0-1121-000CN	1
S11	Screw, tap, truss head, M3x8	XB4-7300-809CN	2

www.MK-Electronic.de

Internal assemblies

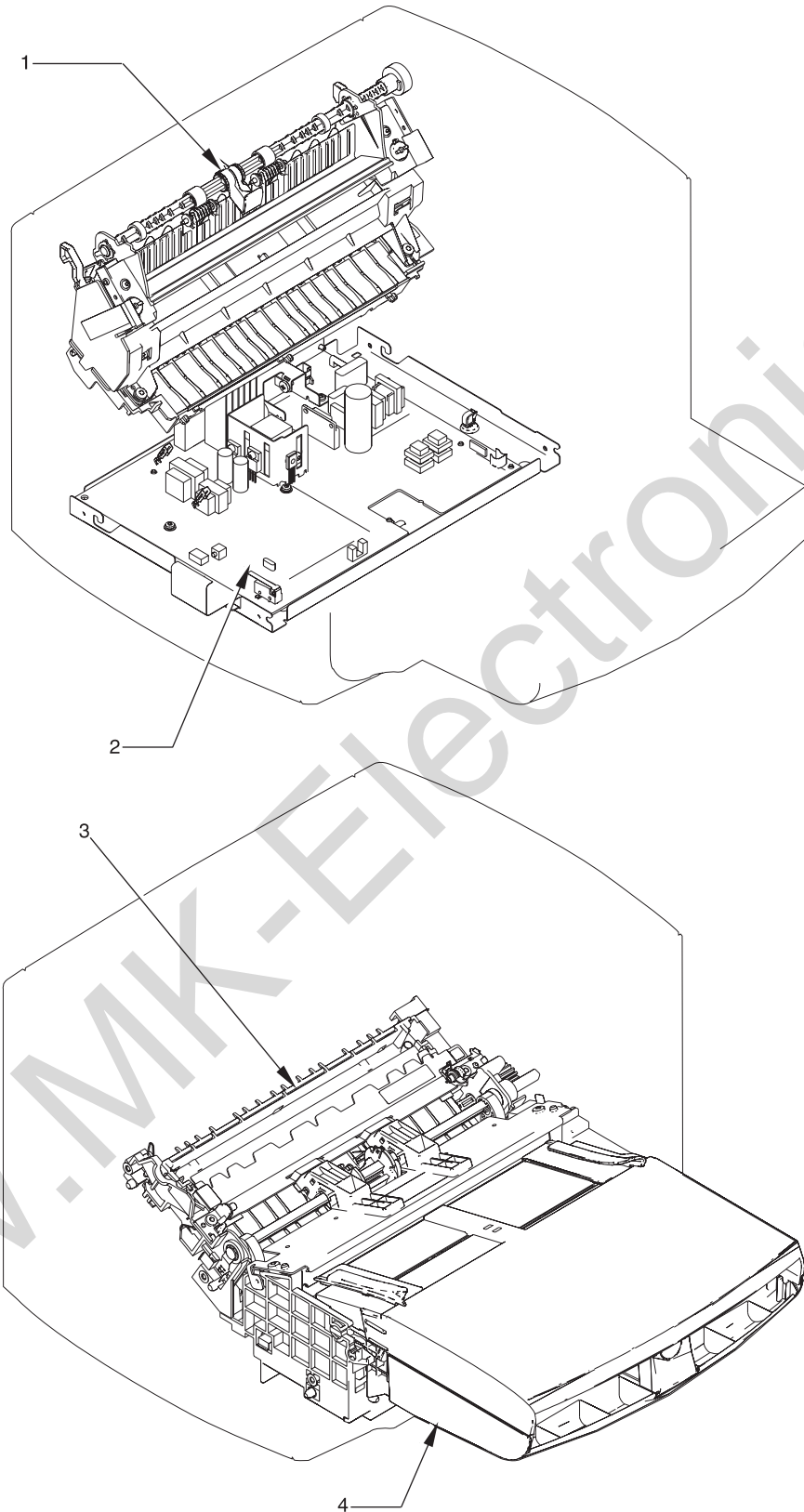


Figure 7-8. Internal components

Table 7-15. Major assemblies

Ref	Description	Part number	Qty
1	Fuser assembly (110-127 V)	RM1-0999-000CN	1
	Fuser assembly (220-240 V)	RM1-1000-000CN	1
2	Electrical components assembly (see table 7-20)		
3	Paper-pickup assembly	RM1-0838-000CN	1
4	Paper-pickup-tray assembly (see table 7-14)		
	Gear kit	RY7-5081-000CN	
	Service parts kit	5851-1172	

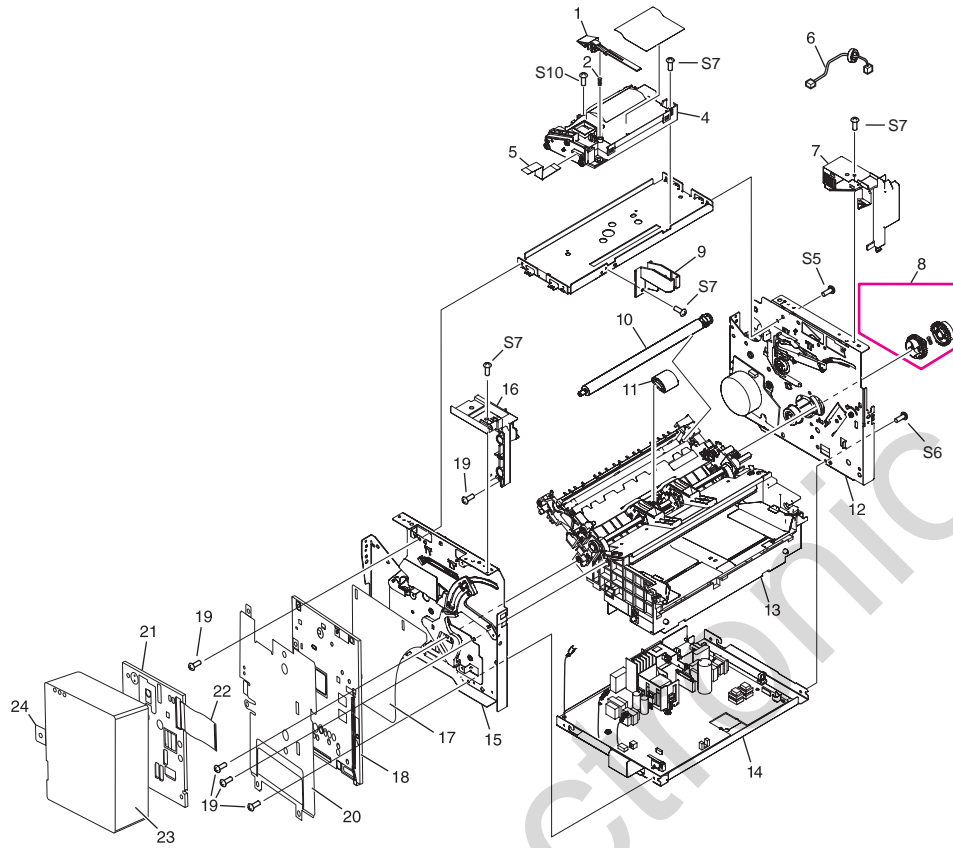


Figure 7-9. Internal components (1 of 2)

Table 7-16. Internal components (1 of 2)

Ref	Description	Part number	Qty
1	Shutter lever	RA0-1182-000CN	1
2	Spring, compression	RA0-1169-000CN	1
4	Laser/scanner assembly	RM1-0524-030CN	1
5	Cable, laser/scanner FFC	RK2-0185-000CN	1
6	Cable, laser/scanner motor	RM1-0832-000CN	1
7	Cover, right support	RA0-1452-000CN	1
8	Pickup gear assembly	RM1-0551-000CN	1
9	Guide, shutter	RC1-2195-000CN	1
10	Transfer roller	RM1-0550-000CN	1
11	Pickup roller	RL1-0303-000CN	1
12	Right plate assembly	RM1-0835-000CN	1
13	Paper-pickup assembly	RM1-0838-000CN	1
14	ECU (110-127 V)	RM1-0833-000CN	1
	ECU (220-240 V)	RM1-0834-000CN	1
15	Left plate assembly	RM1-0836-000CN	1
16	Cover, left support	RA0-1444-000CN	1
17	Engine deflector shield	Q2660-40002	1
18	Formatter, fax	Q2658-60001	1
19	Screw, formatter	0515-2908	5
20	RFI shield	Q2660-00002	1
21	LIU, NA/WW	C9138-60001	1
	LIU, EMEA	C9138-60002	1
22	Cable modem FCC	C9126-60103	1
23	LIU cover	C9126-40003	1
24	LIU groundstrap	C9126-00001	1
S5	Screw, RS, M3x6	XA9-1495-000CN	1
S6	Screw, TP, M3x8	XA9-1503-000CN	1
S7	Screw, RS, M3x8	XA9-1504-000CN	4
S10	Screw, tap, binding head M3x8	RB9-0820-000CN	1

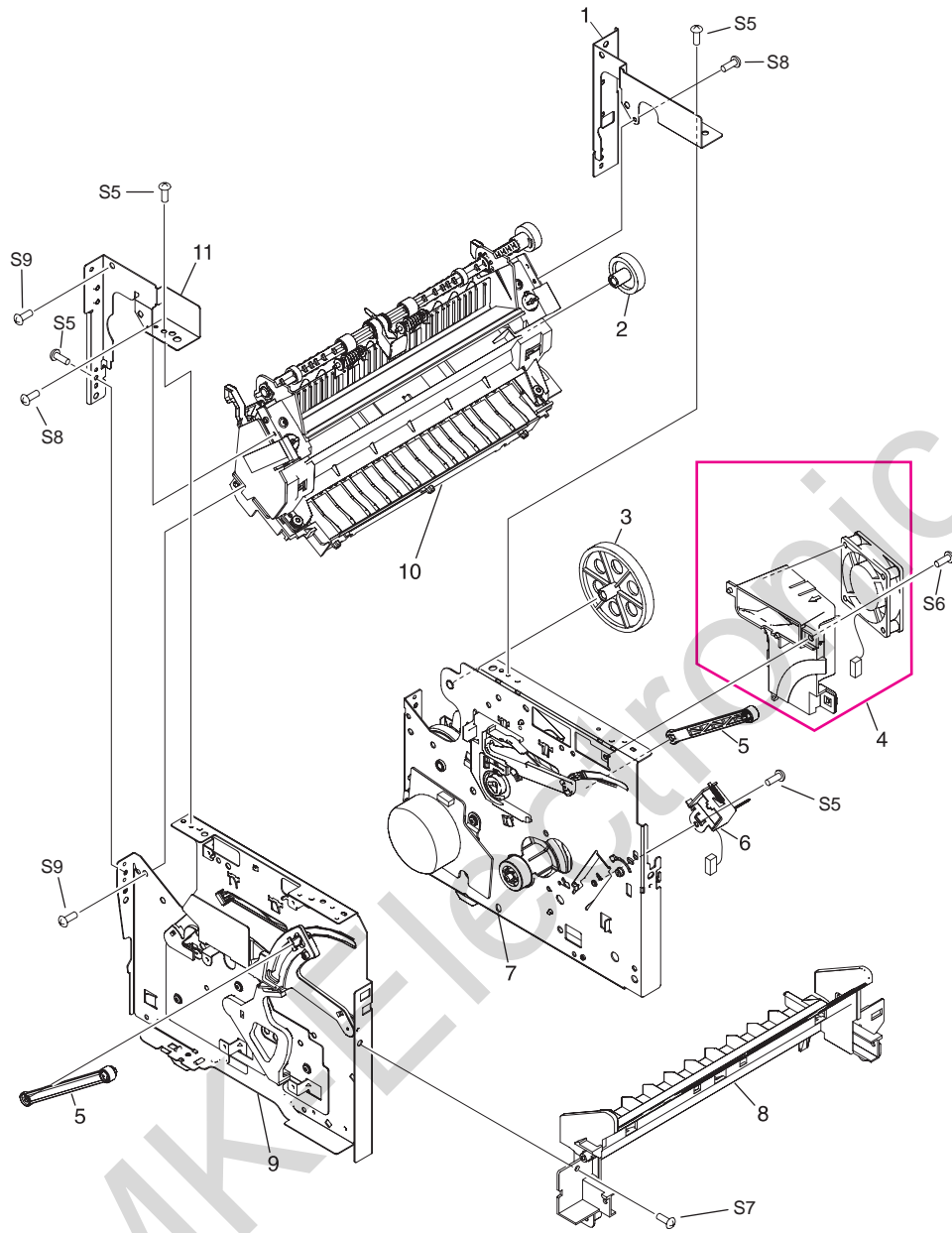


Figure 7-10. Internal components (2 of 2)

Table 7-17. Internal components (2 of 2)

Ref	Description	Part number	Qty
1	Fuser plate, right	RA0-1447-000CN	1
2	Gear, 29T	RA0-1088-000CN	1
3	Gear, 69T	RA0-1176-000CN	1
4	Fan assembly	RM1-0846-000CN	1
5	Connecting link	RA0-1457-000CN	2
6	Solenoid, 24 Vdc	RK2-0064-000CN	1
7	Right plate assembly	RM1-0835-000CN	1
8	Guide, front	RA0-1451-000CN	1
9	Left plate assembly	RM1-0836-000CN	1
10	Fuser, 110 V	RM1-0999-000CN	1
	Fuser, 220 V	RM1-1000-000CN	1
11	Fuser plate, left	RA0-1446-000CN	1
S5	Screw, RS, M3x6	XA9-1495-000CN	4
S6	Screw, TP, M3x8	XA9-1503-000CN	1
S7	Screw, RS, M3x8	XA9-1504-000CN	1
S8	Screw, with washer, M3x6	RB9-0818-000CN	2
S9	Screw, tap, truss head, M4x10	RB9-0819-000CN	2

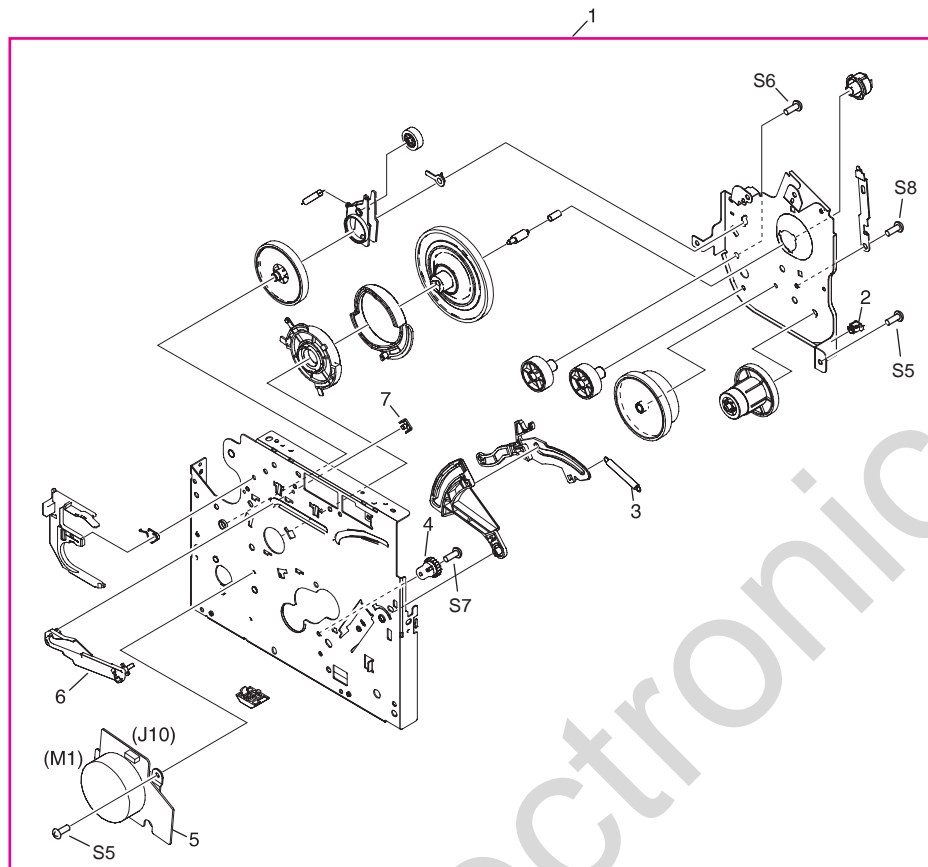


Figure 7-11. Right plate assembly

Table 7-18. Right plate assembly

Ref	Description	Part number	Qty
1	Right plate assembly	RM1-0835-000CN	1
2	Clamp, cable	WT2-5694-000CN	1
3	Spring, tension	RA0-1212-000CN	1
4	Gear, 17T	RA0-1172-000CN	1
5	Motor, stepping	RK2-0062-000CN	1
6	Right cartridge guide (part of service-parts kit)	5851-1172	1
7	Cartridge-guide holder (part of service-parts kit)	5851-1172	2
S5	Screw, RS, M3x6	XA9-1495-000CN	2
S6	Screw, TP, M3x8	XA9-1503-000CN	1
S7	Screw, RS, M3x8	XA9-1504-000CN	1
S8	Screw, with washer, M3x6	RB9-0818-000CN	1

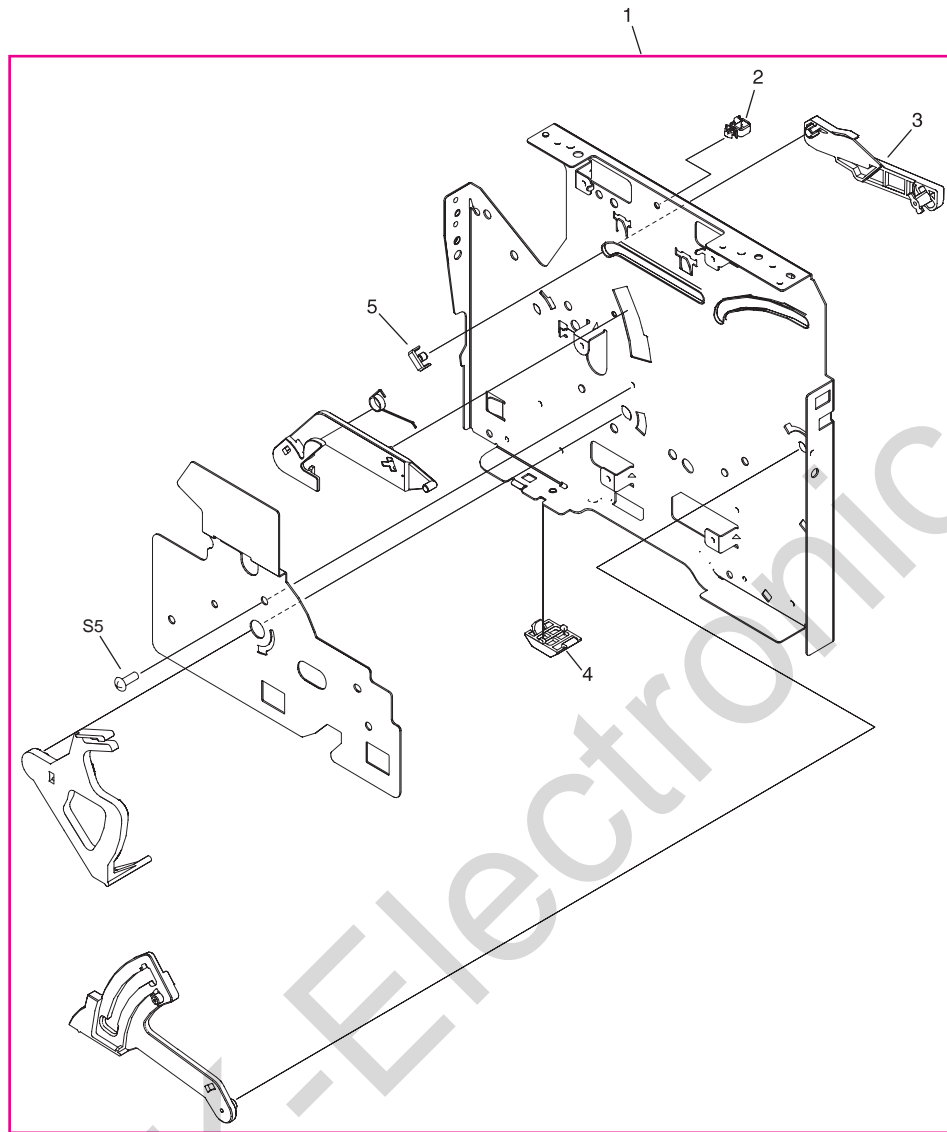


Figure 7-12. Left plate assembly

Table 7-19. Left plate assembly

Ref	Description	Part number	Qty
1	Left plate assembly	RM1-0836-000CN	1
2	Clamp, cable	WT2-5694-000CN	1
3	Left cartridge guide (part of service-parts kit)	5851-1172	1
4	Foot, rubber	RA0-1412-000CN	1
5	Cartridge-guide holder (part of service-parts kit)	5851-1172	2
S5	Screw, RS, M3x6	XA9-1495-000CN	1

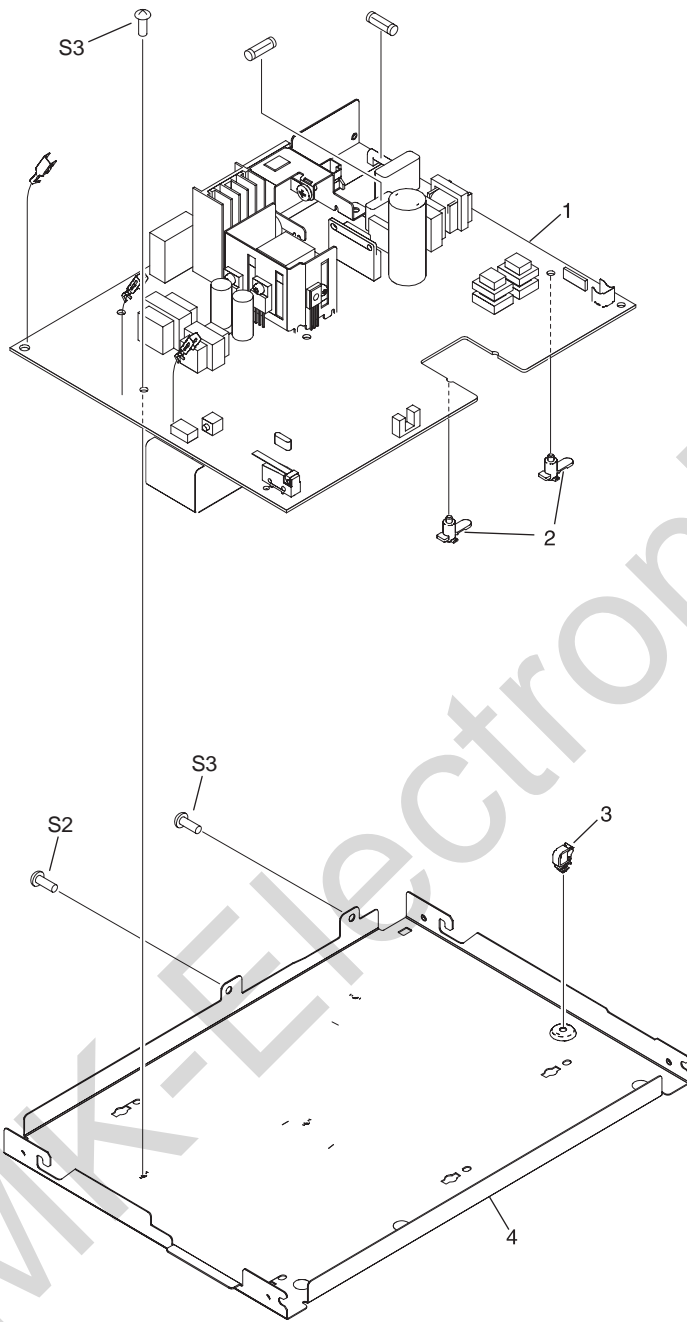


Figure 7-13. Electrical components

Table 7-20. Electrical components

Ref	Description	Part number	Qty
1	Engine controller PCB assembly, 110-127 V	RM1-0833-000CN	1
	Engine controller PCB assembly, 220-240 V	RM1-0834-000CN	1
2	PCB spacer	RA0-1128-000CN	6
3	Clamp, cable	WT2-5694-000CN	1
4	Engine controller case	RA0-1127-000CN	1
S2	Screw, with star washer, M3x6	XA9-0828-000CN	1
S3	Screw, with washer, M3x8	XA9-1420-000CN	2

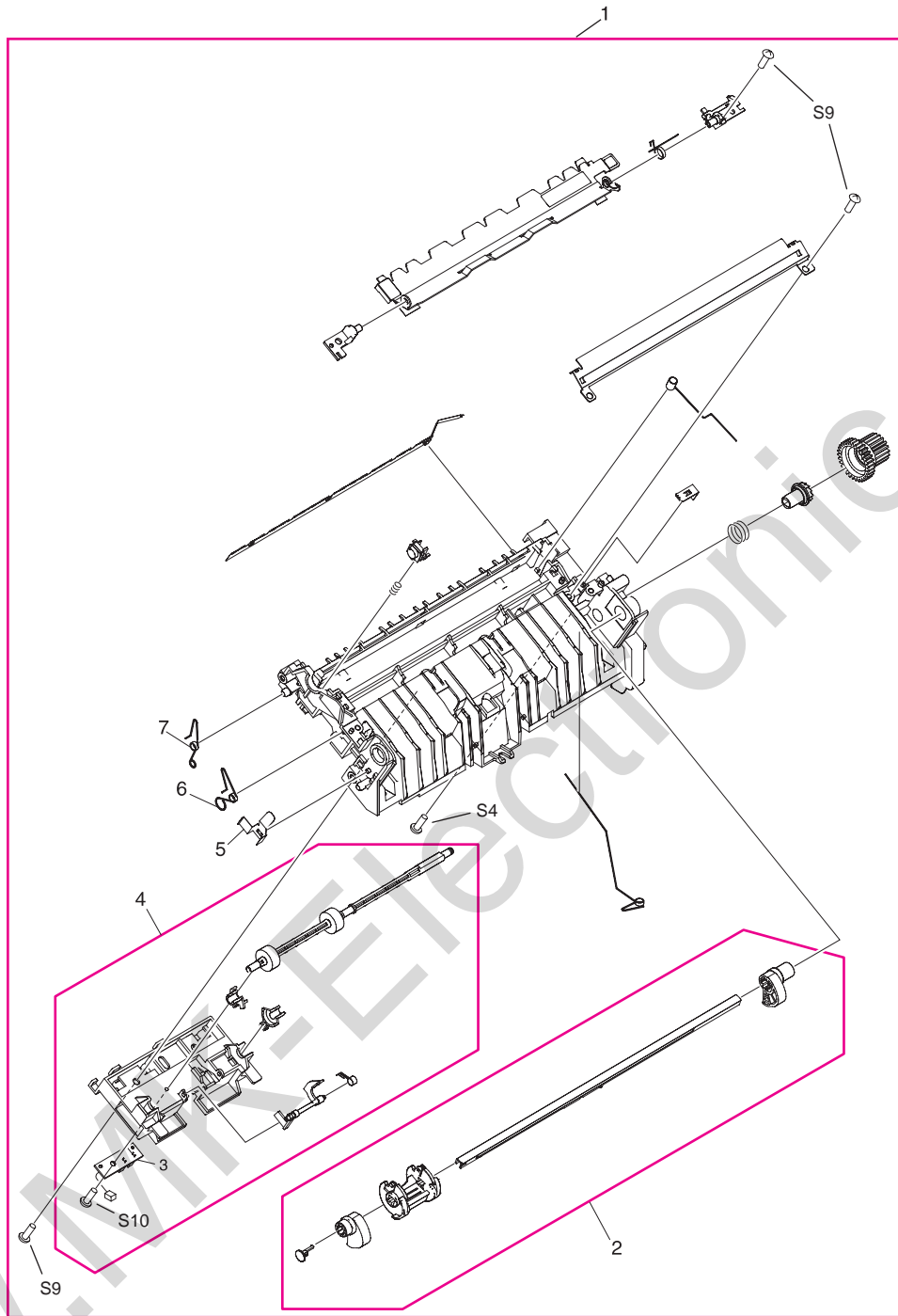


Figure 7-14. Paper-pickup assembly (1 of 2)

Table 7-21. Paper-pickup assembly (1 of 2)

Ref	Description	Part number	Qty
1	Paper-pickup assembly (also includes all parts shown in the next figure)	RM1-0838-000CN	1
2	Paper-pickup-shaft assembly	RM1-0533-000CN	1
3	Paper-sensor PCB assembly	RM1-0851-000CN	1
4	Feed-roller holder assembly	RM1-0839-000CN	1
5	Grounding plate	RA0-1072-000CN	1
6	Spring, torsion	RA0-1035-000CN	1
7	Spring, torsion	RA0-1200-000CN	1
S4	Screw, M4x14	XA9-1421-000CN	1
S9	Screw, tap, truss head, M4x10	RB9-0819-000CN	3
S10	Screw, tap, binding head, M3x8	RB9-0820-000CN	1

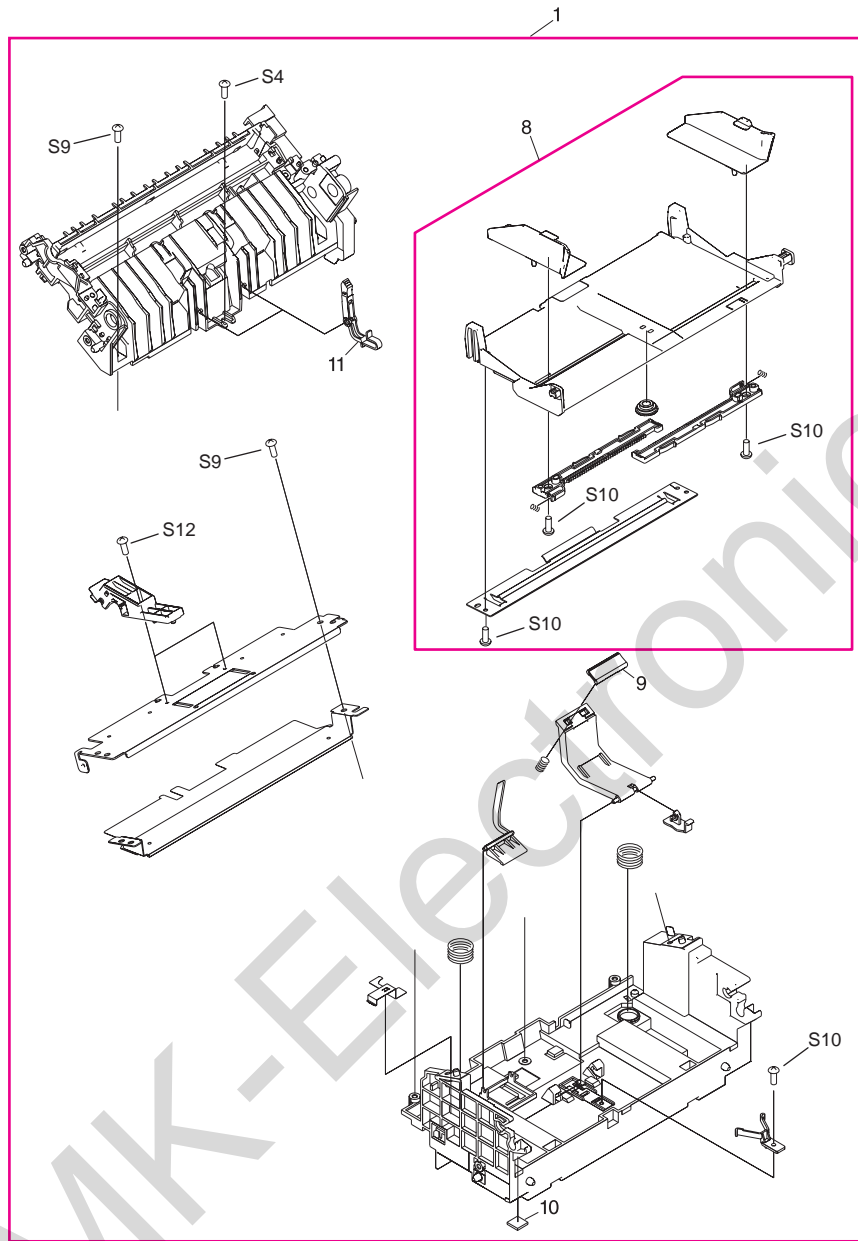


Figure 7-15. Paper-pickup assembly (2 of 2)

Table 7-22. Paper-pickup assembly (2 of 2)

Ref	Description	Part number	Qty
1	Paper-pickup assembly (also includes all parts shown in the previous figure)	RM1-0838-000CN	1
8	Paper lift-plate assembly	RM1-0840-000CN	1
9	Separation pad	RF0-1014-020CN	1
10	Foot, rubber (paper pickup)	RA0-1003-000CN	2
11	Sub pad	RC1-1794-000CN	2
S4	Screw, M4x14	XA9-1421-000CN	1
S9	Screw, tap, truss head, M4x10	RB9-0819-000CN	2
S10	Screw, tap, binding head, M3x8	RB9-0820-000CN	4
S12	Screw, TP, M3x6	XA9-1418-000CN	1

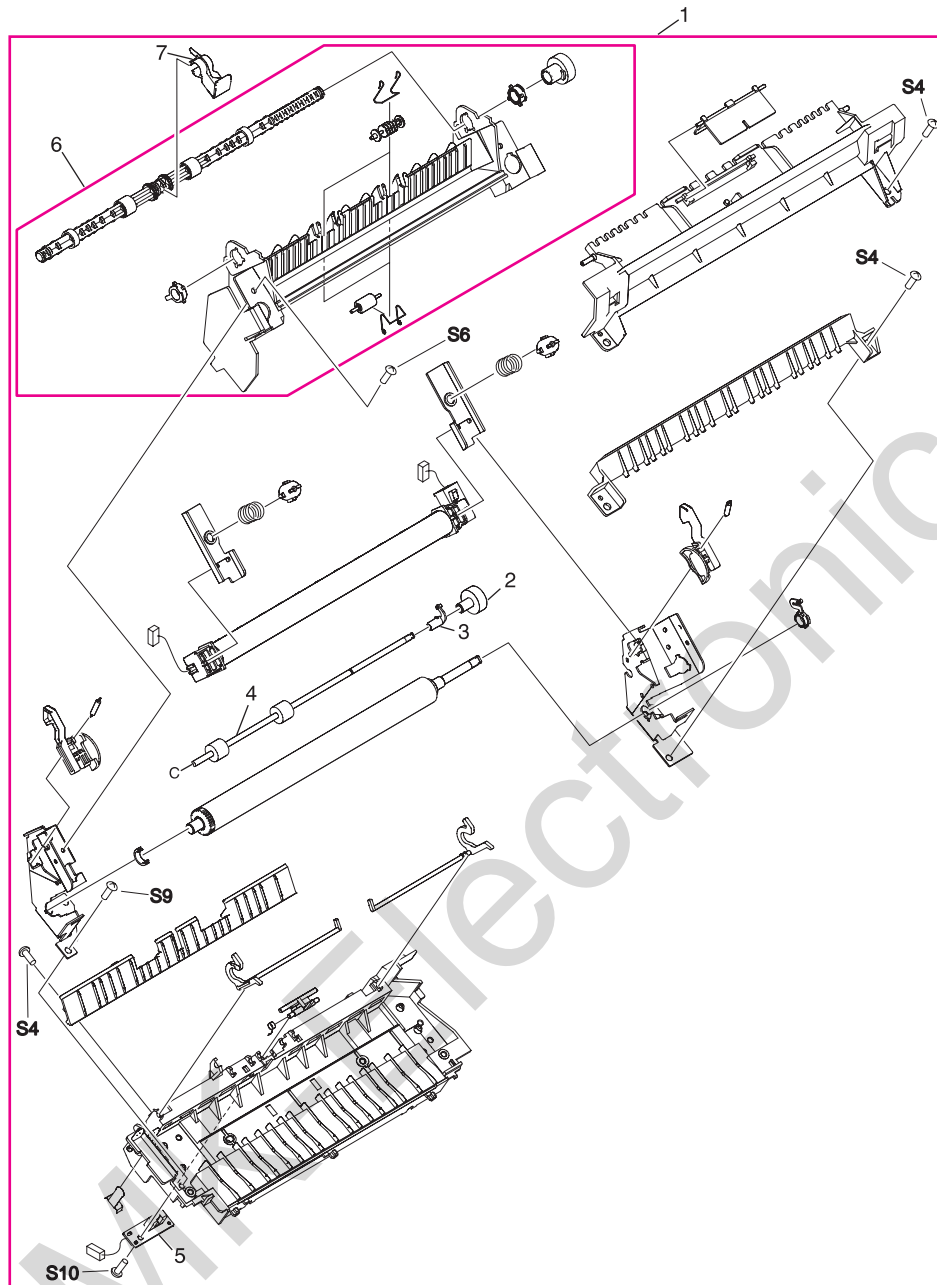


Figure 7-16. Fuser assembly

Table 7-23. Fuser assembly

Ref	Description	Part number	Qty
1	Fuser assembly, 110 V	RM1-0841-000CN	1
1	Fuser assembly, 220 V	RM1-0842-000CN	1
2	Gear, 17T	RA0-1089-000CN	1
3	Bushing	RA0-1104-000CN	1
4	Face-up roller	RF0-1003-000CN	1
5	Delivery sensor PCB assembly	RM1-0852-000CN	1
6	Face-down paper-delivery assembly	RM1-0556-000CN	1
7	Flapper, height	RC1-2393-000CN	1
S4	Screw, M4x14	XA9-1421-000CN	3
S6	Screw, TP, M3x8	XA9-1503-000CN	1
S9	Screw, tap, truss head, M4x10	RB9-0819-000CN	1
S10	Screw, tap, binding head, M3x8	RB9-0820-000CN	1

Alphabetical parts list

Table 7-24. Alphabetical parts list

Description	Part number	Table and page
110-volt replacement unit	Q2660-60055	Table 7-12 on page 263
220-volt replacement unit	Q2660-60065	Table 7-12 on page 263
ADF	C9143-60107	Table 7-9 on page 257
ADF document feed guide	C7309-40153	Table 7-10 on page 259
ADF glass	C7296-00014	Table 7-9 on page 257
ADF glass frame	C9124-40005	Table 7-9 on page 257
ADF input tray	C9143-60102	Table 7-9 on page 257
ADF input-tray flag	C7309-40013	Table 7-10 on page 259
ADF input-tray spring	C7309-80013	Table 7-10 on page 259
ADF pickup roller assembly	C7309-60049	Table 7-10 on page 259
ADF separation pad	C7309-60009	Table 7-10 on page 259
Arabic 3380 Bezel	Q2660-40019	Table 7-11 on page 261
Automatic document feeder (ADF)	C9143-60107	Table 7-8 on page 255
Back cover (includes straight-through output door)	RG0-1114-000CN	Table 7-12 on page 263
Bushing	RA0-1104-000CN	Table 7-23 on page 285
Cable modem FCC	C9126-60103	Table 7-16 on page 271
Cable, laser/scanner FFC	RK2-0185-000CN	Table 7-16 on page 271
Cable, laser/scanner motor	RM1-0832-000CN	Table 7-16 on page 271
Cartridge-guide holder (part of service-parts kit)	5851-1172	Table 7-18 on page 275
Cartridge-guide holder (part of service-parts kit)	5851-1172	Table 7-19 on page 277
Clamp, cable	WT2-5694-000CN	Table 7-18 on page 275

Table 7-24. Alphabetical parts list (continued)

Description	Part number	Table and page
Clamp, cable	WT2-5694-000CN	Table 7-19 on page 277
Clamp, cable	WT2-5694-000CN	Table 7-20 on page 279
Connecting link	RA0-1457-000CN	Table 7-17 on page 273
Control panel	Q2660-60101	Table 7-11 on page 261
Control panel (see table 7-11)		Table 7-8 on page 255
Control-panel cable	Q2660-60104	Table 7-11 on page 261
Control-panel chassis	C9124-40006	Table 7-11 on page 261
Cover, back assembly	RG0-1114-000CN	Table 7-13 on page 265
Cover, front	RA0-1450-020CN	Table 7-13 on page 265
Cover, left assembly	RG0-1113-000CN	Table 7-13 on page 265
Cover, left support	RA0-1444-000CN	Table 7-16 on page 271
Cover, right support	RA0-1452-000CN	Table 7-16 on page 271
Cover, right-side assembly	RG0-1116-000CN	Table 7-13 on page 265
Cover, top	RF0-1100-030CN	Table 7-13 on page 265
Czech 3380 Bezel	Q2660-40013	Table 7-11 on page 261
Danish 3380 Bezel	Q2660-40008	Table 7-11 on page 261
Delivery sensor PCB assembly	RM1-0852-000CN	Table 7-23 on page 285
Door, print-cartridge assembly	RG0-1115-000CN	Table 7-13 on page 265
Dutch 3380 Bezel	Q2660-40009	Table 7-11 on page 261
ECU (110-127 V)	RM1-0833-000CN	Table 7-16 on page 271
ECU (220-240 V)	RM1-0834-000CN	Table 7-16 on page 271

Table 7-24. Alphabetical parts list (continued)

Description	Part number	Table and page
Electrical components assembly (see table 7-20)		Table 7-15 on page 269
Engine controller case	RA0-1127-000CN	Table 7-20 on page 279
Engine controller PCB assembly, 110-127 V	RM1-0833-000CN	Table 7-20 on page 279
Engine controller PCB assembly, 220-240 V	RM1-0834-000CN	Table 7-20 on page 279
Engine deflector shield	Q2660-40002	Table 7-16 on page 271
English 3380 Bezel	Q2660-40003	Table 7-11 on page 261
Face-down paper-delivery assembly	RM1-0556-000CN	Table 7-23 on page 285
Face-up roller	RF0-1003-000CN	Table 7-23 on page 285
Fan assembly	RM1-0846-000CN	Table 7-17 on page 273
Feed-roller holder assembly	RM1-0839-000CN	Table 7-21 on page 281
Finnish 3380 Bezel	Q2660-40010	Table 7-11 on page 261
Flapper, height	RC1-2393-000CN	Table 7-23 on page 285
Foot, rubber	RA0-1412-000CN	Table 7-19 on page 277
Foot, rubber (paper pickup)	RA0-1003-000CN	Table 7-22 on page 283
Formatter, fax	Q2658-60001	Table 7-16 on page 271
French 3380 Bezel	Q2660-40004	Table 7-11 on page 261
Front cover	RA0-1450-020CN	Table 7-12 on page 263
Fuser assembly (110-127 V)	RM1-0999-000CN	Table 7-15 on page 269
Fuser assembly (220-240 V)	RM1-1000-000CN	Table 7-15 on page 269
Fuser assembly, 110 V	RM1-0841-000CN	Table 7-23 on page 285
Fuser assembly, 220 V	RM1-0842-000CN	Table 7-23 on page 285

Table 7-24. Alphabetical parts list (continued)

Description	Part number	Table and page
Fuser plate, left	RA0-1446-000CN	Table 7-17 on page 273
Fuser plate, right	RA0-1447-000CN	Table 7-17 on page 273
Fuser, 110 V	RM1-0999-000CN	Table 7-17 on page 273
Fuser, 220 V	RM1-1000-000CN	Table 7-17 on page 273
Gear kit	RY7-5081-000CN	Table 7-15 on page 269
Gear, 17T	RA0-1172-000CN	Table 7-18 on page 275
Gear, 17T	RA0-1089-000CN	Table 7-23 on page 285
Gear, 29T	RA0-1088-000CN	Table 7-17 on page 273
Gear, 69T	RA0-1176-000CN	Table 7-17 on page 273
German 3380 Bezel	Q2660-40005	Table 7-11 on page 261
German unpainted 3380 Bezel	Q2660-40028	Table 7-11 on page 261
Greek 3380 Bezel	Q2660-40020	Table 7-11 on page 261
Grounding plate	RA0-1072-000CN	Table 7-21 on page 281
Guide, front	RA0-1451-000CN	Table 7-17 on page 273
Guide, shutter	RC1-2195-000CN	Table 7-16 on page 271
Hebrew 3380 Bezel	Q2660-40021	Table 7-11 on page 261
HP jewel	7121-8043	Table 7-13 on page 265
Hungarian 3380 Bezel	Q2660-40014	Table 7-11 on page 261
Italian 3380 Bezel	Q2660-40006	Table 7-11 on page 261
Korean 3380 Bezel	Q2660-40022	Table 7-11 on page 261
Laser/scanner assembly	RM1-0524-030CN	Table 7-16 on page 271

Table 7-24. Alphabetical parts list (continued)

Description	Part number	Table and page
Left bottom frame support	RA0-1470-000CN	Table 7-12 on page 263
Left cartridge guide (part of service-parts kit)	5851-1172	Table 7-19 on page 277
Left height guide	RC1-2191-000CN	Table 7-13 on page 265
Left midpanel scanner cover	C9124-40002	Table 7-9 on page 257
Left plate assembly	RM1-0836-000CN	Table 7-16 on page 271
Left plate assembly	RM1-0836-000CN	Table 7-17 on page 273
Left plate assembly	RM1-0836-000CN	Table 7-19 on page 277
Left side cover	RG0-1113-000CN	Table 7-12 on page 263
LIU cover	C9126-40003	Table 7-16 on page 271
LIU groundstrap	C9126-00001	Table 7-16 on page 271
LIU, EMEA	C9138-60002	Table 7-16 on page 271
LIU, NA/WW	C9138-60001	Table 7-16 on page 271
Motor, stepping	RK2-0062-000CN	Table 7-18 on page 275
Norwegian 3380 Bezel	Q2660-40026	Table 7-11 on page 261
Paper lift-plate assembly	RM1-0840-000CN	Table 7-22 on page 283
Paper-pickup assembly	RM1-0838-000CN	Table 7-15 on page 269
Paper-pickup assembly	RM1-0838-000CN	Table 7-16 on page 271
Paper-pickup assembly (also includes all parts shown in the next figure)	RM1-0838-000CN	Table 7-21 on page 281
Paper-pickup assembly (also includes all parts shown in the previous figure)	RM1-0838-000CN	Table 7-22 on page 283
Paper-pickup cover assembly	RG0-1122-000CN	Table 7-14 on page 267
Paper-pickup-shaft assembly	RM1-0533-000CN	Table 7-21 on page 281

Table 7-24. Alphabetical parts list (continued)

Description	Part number	Table and page
Paper-pickup-tray assembly (see table 7-14)		Table 7-15 on page 269
Paper-sensor PCB assembly	RM1-0851-000CN	Table 7-21 on page 281
Paper-tray assembly (see table 7-14)		Table 7-12 on page 263
PCB spacer	RA0-1128-000CN	Table 7-20 on page 279
Pickup gear assembly	RM1-0551-000CN	Table 7-16 on page 271
Pickup roller	RL1-0303-000CN	Table 7-16 on page 271
Polish 3380 Bezel	Q2660-40015	Table 7-11 on page 261
Portuguese 3380 Bezel	Q2660-40011	Table 7-11 on page 261
Print-cartridge door	RG0-1115-000CN	Table 7-12 on page 263
Printer pickup-tray assembly	RG0-1121-000CN	Table 7-14 on page 267
RFI shield	Q2660-00002	Table 7-16 on page 271
RFI shield, ADF	C9124-00002	Table 7-9 on page 257
Right cartridge guide (part of service-parts kit)	5851-1172	Table 7-18 on page 275
Right height guide	RC1-2392-000CN	Table 7-13 on page 265
Right midpanel scanner cover	C9124-40003	Table 7-9 on page 257
Right plate assembly	RM1-0835-000CN	Table 7-16 on page 271
Right plate assembly	RM1-0835-000CN	Table 7-17 on page 273
Right plate assembly	RM1-0835-000CN	Table 7-18 on page 275
Right side cover	RG0-1116-000CN	Table 7-12 on page 263
Russian 3380 Bezel	Q2660-40016	Table 7-11 on page 261
Scanner assembly	C2660-60106	Table 7-8 on page 255
Scanner assembly	Q2660-60106	Table 7-9 on page 257

Table 7-24. Alphabetical parts list (continued)

Description	Part number	Table and page
Scanner flat flexible cable (FFC) assembly (includes FCC C9124-60116 and shield)	Q2660-60103	Table 7-9 on page 257
Scanner PCA	Q2657-60001	Table 7-9 on page 257
Screw for scanner formatter	0515-4257	Table 7-9 on page 257
Screw, formatter	0515-2908	Table 7-16 on page 271
Screw, M4x14	XA9-1421-000CN	Table 7-21 on page 281
Screw, M4x14	XA9-1421-000CN	Table 7-22 on page 283
Screw, M4x14	XA9-1421-000CN	Table 7-23 on page 285
Screw, RS, M3x6	XA9-1495-000CN	Table 7-16 on page 271
Screw, RS, M3x6	XA9-1495-000CN	Table 7-17 on page 273
Screw, RS, M3x6	XA9-1495-000CN	Table 7-18 on page 275
Screw, RS, M3x6	XA9-1495-000CN	Table 7-19 on page 277
Screw, RS, M3x8	XA9-1504-000CN	Table 7-13 on page 265
Screw, RS, M3x8	XA9-1504-000CN	Table 7-16 on page 271
Screw, RS, M3x8	XA9-1504-000CN	Table 7-17 on page 273
Screw, RS, M3x8	XA9-1504-000CN	Table 7-18 on page 275
Screw, RS, M4x12	XA9-0722-000CN	Table 7-13 on page 265
Screw, tap, binding head M3x8	RB9-0820-000CN	Table 7-16 on page 271
Screw, tap, binding head, M3x8	RB9-0820-000CN	Table 7-21 on page 281
Screw, tap, binding head, M3x8	RB9-0820-000CN	Table 7-22 on page 283
Screw, tap, binding head, M3x8	RB9-0820-000CN	Table 7-23 on page 285
Screw, tap, truss head, M3x8	XB4-7300-809CN	Table 7-14 on page 267
Screw, tap, truss head, M4x10	RB9-0819-000CN	Table 7-13 on page 265

Table 7-24. Alphabetical parts list (continued)

Description	Part number	Table and page
Screw, tap, truss head, M4x10	RB9-0819-000CN	Table 7-17 on page 273
Screw, tap, truss head, M4x10	RB9-0819-000CN	Table 7-21 on page 281
Screw, tap, truss head, M4x10	RB9-0819-000CN	Table 7-22 on page 283
Screw, tap, truss head, M4x10	RB9-0819-000CN	Table 7-23 on page 285
Screw, TP, M3x6	XA9-1418-000CN	Table 7-22 on page 283
Screw, TP, M3x8	XA9-1503-000CN	Table 7-13 on page 265
Screw, TP, M3x8	XA9-1503-000CN	Table 7-16 on page 271
Screw, TP, M3x8	XA9-1503-000CN	Table 7-17 on page 273
Screw, TP, M3x8	XA9-1503-000CN	Table 7-18 on page 275
Screw, TP, M3x8	XA9-1503-000CN	Table 7-23 on page 285
Screw, with star washer, M3x6	XA9-0828-000CN	Table 7-20 on page 279
Screw, with washer, M3x6	RB9-0818-000CN	Table 7-17 on page 273
Screw, with washer, M3x6	RB9-0818-000CN	Table 7-18 on page 275
Screw, with washer, M3x8	XA9-1420-000CN	Table 7-20 on page 279
Screws for control-panel chassis	0515-4330	Table 7-11 on page 261
Screws for scanner side panels, scanner formatter, and ADF glass frame	0515-4330	Table 7-9 on page 257
Screws that secure scanner to printer	0515-4331	Table 7-9 on page 257
Separation pad	RF0-1014-020CN	Table 7-22 on page 283
Service parts kit	5851-1172	Table 7-15 on page 269
Shutter lever	RA0-1182-000CN	Table 7-16 on page 271
Simplified Chinese 3380 Bezel	Q2660-40023	Table 7-11 on page 261

Table 7-24. Alphabetical parts list (continued)

Description	Part number	Table and page
Slovak 3380 Bezel	Q2660-40017	Table 7-11 on page 261
Solenoid, 24 Vdc	RK2-0064-000CN	Table 7-17 on page 273
Spanish 3380 Bezel	Q2660-40007	Table 7-11 on page 261
Speaker	C9124-60113	Table 7-11 on page 261
Spring, compression	RA0-1169-000CN	Table 7-16 on page 271
Spring, tension	RA0-1212-000CN	Table 7-18 on page 275
Spring, torsion	RA0-1035-000CN	Table 7-21 on page 281
Spring, torsion	RA0-1200-000CN	Table 7-21 on page 281
Straight-through output door (includes back cover)	RG0-1114-000CN	Table 7-12 on page 263
Sub pad	RC1-1794-000CN	Table 7-22 on page 283
Support, left bottom frame	RA0-1470-000CN	Table 7-13 on page 265
Swedish 3380 Bezel	Q2660-40012	Table 7-11 on page 261
Thai 3380 Bezel	Q2660-40025	Table 7-11 on page 261
Top cover	RF0-1100-030CN	Table 7-12 on page 263
Torx screw	0624-1055	Table 7-10 on page 259
Traditional Chinese 3380 Bezel	Q2660-40024	Table 7-11 on page 261
Transfer roller	RM1-0550-000CN	Table 7-16 on page 271
Turkish 3380 Bezel	Q2660-40018	Table 7-11 on page 261
Vietnamese 3380 Bezel	Q2660-40029	Table 7-11 on page 261

Numerical parts list

Table 7-25. Numerical parts list

Part number	Description	Table and page
	Control panel (see table 7-11)	Table 7-8 on page 255
	Paper-tray assembly (see table 7-14)	Table 7-12 on page 263
	Electrical components assembly (see table 7-20)	Table 7-15 on page 269
	Paper-pickup-tray assembly (see table 7-14)	Table 7-15 on page 269
0515-2908	Screw, formatter	Table 7-16 on page 271
0515-4257	Screw for scanner formatter	Table 7-9 on page 257
0515-4330	Screws for scanner side panels, scanner formatter, and ADF glass frame	Table 7-9 on page 257
0515-4330	Screws for control-panel chassis	Table 7-11 on page 261
0515-4331	Screws that secure scanner to printer	Table 7-9 on page 257
0624-1055	Torx screw	Table 7-10 on page 259
5851-1172	Service parts kit	Table 7-15 on page 269
5851-1172	Right cartridge guide (part of service-parts kit)	Table 7-18 on page 275
5851-1172	Cartridge-guide holder (part of service-parts kit)	Table 7-18 on page 275
5851-1172	Left cartridge guide (part of service-parts kit)	Table 7-19 on page 277
5851-1172	Cartridge-guide holder (part of service-parts kit)	Table 7-19 on page 277
7121-8043	HP jewel	Table 7-13 on page 265
C2660-60106	Scanner assembly	Table 7-8 on page 255
C7296-00014	ADF glass	Table 7-9 on page 257
C7309-40013	ADF input-tray flag	Table 7-10 on page 259
C7309-40153	ADF document feed guide	Table 7-10 on page 259
C7309-60009	ADF separation pad	Table 7-10 on page 259
C7309-60049	ADF pickup roller assembly	Table 7-10 on page 259
C7309-80013	ADF input-tray spring	Table 7-10 on page 259
C9124-00002	RFI shield, ADF	Table 7-9 on page 257
C9124-40002	Left midpanel scanner cover	Table 7-9 on page 257
C9124-40003	Right midpanel scanner cover	Table 7-9 on page 257
C9124-40005	ADF glass frame	Table 7-9 on page 257
C9124-40006	Control-panel chassis	Table 7-11 on page 261
C9124-60113	Speaker	Table 7-11 on page 261

Table 7-25. Numerical parts list (continued)

Part number	Description	Table and page
C9126-00001	LIU groundstrap	Table 7-16 on page 271
C9126-40003	LIU cover	Table 7-16 on page 271
C9126-60103	Cable modem FCC	Table 7-16 on page 271
C9138-60001	LIU, NA/WW	Table 7-16 on page 271
C9138-60002	LIU, EMEA	Table 7-16 on page 271
C9143-60102	ADF input tray	Table 7-9 on page 257
C9143-60107	Automatic document feeder (ADF)	Table 7-8 on page 255
C9143-60107	ADF	Table 7-9 on page 257
Q2657-60001	Scanner PCA	Table 7-9 on page 257
Q2658-60001	Formatter, fax	Table 7-16 on page 271
Q2660-00002	RFI shield	Table 7-16 on page 271
Q2660-40002	Engine deflector shield	Table 7-16 on page 271
Q2660-40003	English 3380 Bezel	Table 7-11 on page 261
Q2660-40004	French 3380 Bezel	Table 7-11 on page 261
Q2660-40005	German 3380 Bezel	Table 7-11 on page 261
Q2660-40006	Italian 3380 Bezel	Table 7-11 on page 261
Q2660-40007	Spanish 3380 Bezel	Table 7-11 on page 261
Q2660-40008	Danish 3380 Bezel	Table 7-11 on page 261
Q2660-40009	Dutch 3380 Bezel	Table 7-11 on page 261
Q2660-40010	Finnish 3380 Bezel	Table 7-11 on page 261
Q2660-40011	Portuguese 3380 Bezel	Table 7-11 on page 261
Q2660-40012	Swedish 3380 Bezel	Table 7-11 on page 261
Q2660-40013	Czech 3380 Bezel	Table 7-11 on page 261
Q2660-40014	Hungarian 3380 Bezel	Table 7-11 on page 261
Q2660-40015	Polish 3380 Bezel	Table 7-11 on page 261
Q2660-40016	Russian 3380 Bezel	Table 7-11 on page 261
Q2660-40017	Slovak 3380 Bezel	Table 7-11 on page 261
Q2660-40018	Turkish 3380 Bezel	Table 7-11 on page 261
Q2660-40019	Arabic 3380 Bezel	Table 7-11 on page 261
Q2660-40020	Greek 3380 Bezel	Table 7-11 on page 261
Q2660-40021	Hebrew 3380 Bezel	Table 7-11 on page 261
Q2660-40022	Korean 3380 Bezel	Table 7-11 on page 261
Q2660-40023	Simplified Chinese 3380 Bezel	Table 7-11 on page 261

Table 7-25. Numerical parts list (continued)

Part number	Description	Table and page
Q2660-40024	Traditional Chinese 3380 Bezel	Table 7-11 on page 261
Q2660-40025	Thai 3380 Bezel	Table 7-11 on page 261
Q2660-40026	Norwegian 3380 Bezel	Table 7-11 on page 261
Q2660-40028	German unpainted 3380 Bezel	Table 7-11 on page 261
Q2660-40029	Vietnamese 3380 Bezel	Table 7-11 on page 261
Q2660-60055	110-volt replacement unit	Table 7-12 on page 263
Q2660-60065	220-volt replacement unit	Table 7-12 on page 263
Q2660-60101	Control panel	Table 7-11 on page 261
Q2660-60103	Scanner flat flexible cable (FFC) assembly (includes FCC C9124-60116 and shield)	Table 7-9 on page 257
Q2660-60104	Control-panel cable	Table 7-11 on page 261
Q2660-60106	Scanner assembly	Table 7-9 on page 257
RA0-1003-000CN	Foot, rubber (paper pickup)	Table 7-22 on page 283
RA0-1035-000CN	Spring, torsion	Table 7-21 on page 281
RA0-1072-000CN	Grounding plate	Table 7-21 on page 281
RA0-1088-000CN	Gear, 29T	Table 7-17 on page 273
RA0-1089-000CN	Gear, 17T	Table 7-23 on page 285
RA0-1104-000CN	Bushing	Table 7-23 on page 285
RA0-1127-000CN	Engine controller case	Table 7-20 on page 279
RA0-1128-000CN	PCB spacer	Table 7-20 on page 279
RA0-1169-000CN	Spring, compression	Table 7-16 on page 271
RA0-1172-000CN	Gear, 17T	Table 7-18 on page 275
RA0-1176-000CN	Gear, 69T	Table 7-17 on page 273
RA0-1182-000CN	Shutter lever	Table 7-16 on page 271
RA0-1200-000CN	Spring, torsion	Table 7-21 on page 281
RA0-1212-000CN	Spring, tension	Table 7-18 on page 275
RA0-1412-000CN	Foot, rubber	Table 7-19 on page 277
RA0-1444-000CN	Cover, left support	Table 7-16 on page 271
RA0-1446-000CN	Fuser plate, left	Table 7-17 on page 273
RA0-1447-000CN	Fuser plate, right	Table 7-17 on page 273
RA0-1450-020CN	Front cover	Table 7-12 on page 263
RA0-1450-020CN	Cover, front	Table 7-13 on page 265
RA0-1451-000CN	Guide, front	Table 7-17 on page 273

Table 7-25. Numerical parts list (continued)

Part number	Description	Table and page
RA0-1452-000CN	Cover, right support	Table 7-16 on page 271
RA0-1457-000CN	Connecting link	Table 7-17 on page 273
RA0-1470-000CN	Left bottom frame support	Table 7-12 on page 263
RA0-1470-000CN	Support, left bottom frame	Table 7-13 on page 265
RB9-0818-000CN	Screw, with washer, M3x6	Table 7-17 on page 273
RB9-0818-000CN	Screw, with washer, M3x6	Table 7-18 on page 275
RB9-0819-000CN	Screw, tap, truss head, M4x10	Table 7-13 on page 265
RB9-0819-000CN	Screw, tap, truss head, M4x10	Table 7-17 on page 273
RB9-0819-000CN	Screw, tap, truss head, M4x10	Table 7-21 on page 281
RB9-0819-000CN	Screw, tap, truss head, M4x10	Table 7-22 on page 283
RB9-0819-000CN	Screw, tap, truss head, M4x10	Table 7-23 on page 285
RB9-0820-000CN	Screw, tap, binding head M3x8	Table 7-16 on page 271
RB9-0820-000CN	Screw, tap, binding head, M3x8	Table 7-21 on page 281
RB9-0820-000CN	Screw, tap, binding head, M3x8	Table 7-22 on page 283
RB9-0820-000CN	Screw, tap, binding head, M3x8	Table 7-23 on page 285
RC1-1794-000CN	Sub pad	Table 7-22 on page 283
RC1-2191-000CN	Left height guide	Table 7-13 on page 265
RC1-2195-000CN	Guide, shutter	Table 7-16 on page 271
RC1-2392-000CN	Right height guide	Table 7-13 on page 265
RC1-2393-000CN	Flapper, height	Table 7-23 on page 285
RF0-1003-000CN	Face-up roller	Table 7-23 on page 285
RF0-1014-020CN	Separation pad	Table 7-22 on page 283
RF0-1100-030CN	Top cover	Table 7-12 on page 263
RF0-1100-030CN	Cover, top	Table 7-13 on page 265
RG0-1113-000CN	Left side cover	Table 7-12 on page 263
RG0-1113-000CN	Cover, left assembly	Table 7-13 on page 265
RG0-1114-000CN	Back cover (includes straight-through output door)	Table 7-12 on page 263
RG0-1114-000CN	Straight-through output door (includes back cover)	Table 7-12 on page 263
RG0-1114-000CN	Cover, back assembly	Table 7-13 on page 265
RG0-1115-000CN	Print-cartridge door	Table 7-12 on page 263
RG0-1115-000CN	Door, print-cartridge assembly	Table 7-13 on page 265
RG0-1116-000CN	Right side cover	Table 7-12 on page 263
RG0-1116-000CN	Cover, right-side assembly	Table 7-13 on page 265

Table 7-25. Numerical parts list (continued)

Part number	Description	Table and page
RG0-1121-000CN	Printer pickup-tray assembly	Table 7-14 on page 267
RG0-1122-000CN	Paper-pickup cover assembly	Table 7-14 on page 267
RK2-0062-000CN	Motor, stepping	Table 7-18 on page 275
RK2-0064-000CN	Solenoid, 24 Vdc	Table 7-17 on page 273
RK2-0185-000CN	Cable, laser/scanner FFC	Table 7-16 on page 271
RL1-0303-000CN	Pickup roller	Table 7-16 on page 271
RM1-0524-030CN	Laser/scanner assembly	Table 7-16 on page 271
RM1-0533-000CN	Paper-pickup-shaft assembly	Table 7-21 on page 281
RM1-0550-000CN	Transfer roller	Table 7-16 on page 271
RM1-0551-000CN	Pickup gear assembly	Table 7-16 on page 271
RM1-0556-000CN	Face-down paper-delivery assembly	Table 7-23 on page 285
RM1-0832-000CN	Cable, laser/scanner motor	Table 7-16 on page 271
RM1-0833-000CN	ECU (110-127 V)	Table 7-16 on page 271
RM1-0833-000CN	Engine controller PCB assembly, 110-127 V	Table 7-20 on page 279
RM1-0834-000CN	ECU (220-240 V)	Table 7-16 on page 271
RM1-0834-000CN	Engine controller PCB assembly, 220-240 V	Table 7-20 on page 279
RM1-0835-000CN	Right plate assembly	Table 7-16 on page 271
RM1-0835-000CN	Right plate assembly	Table 7-17 on page 273
RM1-0835-000CN	Right plate assembly	Table 7-18 on page 275
RM1-0836-000CN	Left plate assembly	Table 7-16 on page 271
RM1-0836-000CN	Left plate assembly	Table 7-17 on page 273
RM1-0836-000CN	Left plate assembly	Table 7-19 on page 277
RM1-0838-000CN	Paper-pickup assembly	Table 7-15 on page 269
RM1-0838-000CN	Paper-pickup assembly	Table 7-16 on page 271
RM1-0838-000CN	Paper-pickup assembly (also includes all parts shown in the next figure)	Table 7-21 on page 281
RM1-0838-000CN	Paper-pickup assembly (also includes all parts shown in the previous figure)	Table 7-22 on page 283
RM1-0839-000CN	Feed-roller holder assembly	Table 7-21 on page 281
RM1-0840-000CN	Paper lift-plate assembly	Table 7-22 on page 283
RM1-0841-000CN	Fuser assembly, 110 V	Table 7-23 on page 285
RM1-0842-000CN	Fuser assembly, 220 V	Table 7-23 on page 285
RM1-0846-000CN	Fan assembly	Table 7-17 on page 273

Table 7-25. Numerical parts list (continued)

Part number	Description	Table and page
RM1-0851-000CN	Paper-sensor PCB assembly	Table 7-21 on page 281
RM1-0852-000CN	Delivery sensor PCB assembly	Table 7-23 on page 285
RM1-0999-000CN	Fuser assembly (110-127 V)	Table 7-15 on page 269
RM1-0999-000CN	Fuser, 110 V	Table 7-17 on page 273
RM1-1000-000CN	Fuser assembly (220-240 V)	Table 7-15 on page 269
RM1-1000-000CN	Fuser, 220 V	Table 7-17 on page 273
RY7-5081-000CN	Gear kit	Table 7-15 on page 269
WT2-5694-000CN	Clamp, cable	Table 7-18 on page 275
WT2-5694-000CN	Clamp, cable	Table 7-19 on page 277
WT2-5694-000CN	Clamp, cable	Table 7-20 on page 279
XA9-0722-000CN	Screw, RS, M4x12	Table 7-13 on page 265
XA9-0828-000CN	Screw, with star washer, M3x6	Table 7-20 on page 279
XA9-1418-000CN	Screw, TP, M3x6	Table 7-22 on page 283
XA9-1420-000CN	Screw, with washer, M3x8	Table 7-20 on page 279
XA9-1421-000CN	Screw, M4x14	Table 7-21 on page 281
XA9-1421-000CN	Screw, M4x14	Table 7-22 on page 283
XA9-1421-000CN	Screw, M4x14	Table 7-23 on page 285
XA9-1495-000CN	Screw, RS, M3x6	Table 7-16 on page 271
XA9-1495-000CN	Screw, RS, M3x6	Table 7-17 on page 273
XA9-1495-000CN	Screw, RS, M3x6	Table 7-18 on page 275
XA9-1495-000CN	Screw, RS, M3x6	Table 7-19 on page 277
XA9-1503-000CN	Screw, TP, M3x8	Table 7-13 on page 265
XA9-1503-000CN	Screw, TP, M3x8	Table 7-16 on page 271
XA9-1503-000CN	Screw, TP, M3x8	Table 7-17 on page 273
XA9-1503-000CN	Screw, TP, M3x8	Table 7-18 on page 275
XA9-1503-000CN	Screw, TP, M3x8	Table 7-23 on page 285
XA9-1504-000CN	Screw, RS, M3x8	Table 7-13 on page 265
XA9-1504-000CN	Screw, RS, M3x8	Table 7-16 on page 271
XA9-1504-000CN	Screw, RS, M3x8	Table 7-17 on page 273
XA9-1504-000CN	Screw, RS, M3x8	Table 7-18 on page 275
XB4-7300-809CN	Screw, tap, truss head, M3x8	Table 7-14 on page 267