

7 Parts and diagrams

- [Ordering parts and supplies](#)
- [Accessories](#)
- [Diagrams](#)
- [HP LaserJet 3050 all-in-one scanner assembly](#)
- [HP LaserJet 3052/3055 all-in-one scanner assembly](#)
- [Printer \(product base\), HP LaserJet 3050/3052/3055 all-in-one](#)
- [Alphabetical parts list](#)
- [Numerical parts list](#)

Ordering parts and supplies

Parts that wear

The parts on the product that wear are listed in [Table 3-1 Life expectancies on page 38](#). Parts are available directly from Hewlett-Packard at the following Website: www.hp.com/buy/parts.

Parts

Order replacement parts from the following Website: www.hp.com/buy/parts

World-wide customer support

Order documentation and software from the Websites listed in [Table 7-1 Technical support Websites and related documentation on page 282](#):

Table 7-1 Technical support Websites and related documentation

HP Connect Online (for HP partners)	www.connect-online.hp.com
HP Customer Care Call Centers Information for contacting HP call centers in specific countries/ regions	www.hp.com/support/callcenters
HP Online Technical Support Software drivers, support documentation, and answers to frequently asked questions	www.hp.com/support
HP Technical Training (North America) Classes and schedules	www.compaq.com/training Note: Select your country/region in the "select a country or region" field at the upper-right corner of the page.
Parts Parts information	www.hp.com/buy/parts

Accessories

The following accessories are available for the HP LaserJet 3050/3052/3055 all-in-one.

Table 7-2 Accessories

Product name	Description	Part number
Print cartridge	2,000-page cartridge	Q2612A
Toner cloth	Ideal for wiping up toner spills	5090-3379
Scanner hinge tool	Use this tool to keep the scanner assembly from falling off of the printer when the entire assembly is being removed.	5185-7441
Fax telephone cord	2-wire 3-meter (9.8-foot) fax telephone cord	8121-0811
USB cable	2-meter (6.6-foot) USB cable	8121-0539
USB cable	0.6-meter (2-foot) USB cable	8121-0549
Power cord, 1.8-meter (6-foot)	U.S./Canada	8120-8382
Power cord, 1.8-meter (6-foot)	Europe	8121-0516
Power cord, 1.8-meter (6-foot)	UK	8121-0517
Power cord, 1.8-meter (6-foot)	Danish	8121-0518
Power cord, 1.8-meter (6-foot)	Switzerland	8121-0519
Power cord, 1.8-meter (6-foot)	South America	8121-0520
Power cord, 1.8-meter (6-foot)	Israel	8121-0521
Fax dongle	2-wire to 4-wire adapter (U.S.)	Q3093-80004

Documentation

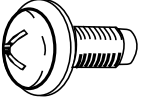
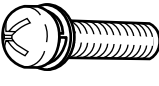

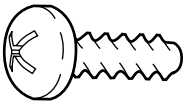
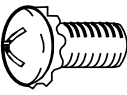
Table 7-3 Documentation

Description	Languages	Part number
Service manual (this manual)	English only	Q6502-90901
Service and support training CD	English only	Q6502-60115
Getting started guides	English only	Q6502-90902
	English, French, Spanish, Portuguese, Italian, German, Dutch	Q6502-90903
	English, Swedish, Norwegian, Finnish, Greek, Danish, Hebrew	Q6502-90904
	English, Russian, Estonia, Lithuanian, Latvian, Kazakh, Arabic	Q6502-90905
	English, Czech, Hungarian, Polish, Slovak	Q6502-90906
	English, Slovenian, Bulgarian, Croatian, Romanian, Turkish	Q6502-90907
	English, Chinese simplified, Chinese traditional, Thai, Indonesian, Korean, Vietnamese	Q6502-90908
User guides (print on demand)	English only	Q6500-90929
	Czech	Q6500-90930
	Dutch	Q6500-90931
	French	Q6500-90932
	German	Q6500-90933
	Hungarian	Q6500-90934
	Italian	Q6500-90935
	Korean	Q6500-90936
	Polish	Q6500-90937
	Russian	Q6500-90938
	Chinese simplified	Q6500-90939
	Spanish	Q6500-90940
	Swedish	Q6500-90941
	Chinese traditional	Q6500-90942
	Thai	Q6500-90943
Turkish	Q6500-90944	
Portuguese	Q6500-90945	

Common hardware

The product has three common fasteners. See [Table 7-4 Common fasteners on page 285](#) for a description of these screw types.

Table 7-4 Common fasteners

Example	Description	Size	Part Number	Use
	Screw, machine, truss head	M3X6	XA9-1495-000CN	Used to secure metal to metal
		M2X10	XA9-1501-000CN?	
	Screw, w/washer	M3X8	XA9-1420-000CN	Used to secure metal components to metal components (for example, a ground wire to the frame)
		M3X6	XB2-7300-605CN	
		M3X6	XB2-8300-609CN	
	Screw, self-tapping	BH3X6	XB9-1503-000CN	Used to secure anything to plastic
		M4X10	XB4-5401-009CN	
		BH3X6	XB4-7300-609CN	
	Screw, tapping, binding head	M3X6	XB4-5300-609CN	Used to secure anything to plastic
	Screw, D	M3X6	XA9-1670-000CN	Used to secure metal components to metal components (for example, a ground wire to the frame)

How to use the parts lists and diagrams

The figures in this chapter illustrate the major subassemblies in the product and their component parts. A table (material list) follows each exploded assembly diagram. Each table lists the reference designator, the associated part number for the item, and a description of the part.

Parts that have no reference designator or part number are not field-replaceable units (FRUs) and cannot be ordered.

While looking for a part number, pay careful attention to the voltage listed in the description column to make sure that the part number selected is for the correct product model.

Replacing the printer engine assembly

This table describes the components that can be transferred from a failed printer engine assembly to the replacement printer engine assembly. In addition to the components listed in this table, trays, CD-ROM drives, and power cords can also be reused.

Table 7-5 Replacing the printer engine assembly

HP LaserJet 3050 all-in-one	HP LaserJet 3052/3055 all-in-one
<p>Replacement print engine</p> <ul style="list-style-type: none"> ● Q6504-67001; 110 V print engine (new) Q6504-69001; 110 V print engine (exchange) or ● Q6504-67002; 220 V print engine (new) Q6504-69002; 220 V print engine (exchange) 	<p>Replacement print engine</p> <ul style="list-style-type: none"> ● Q6502-67001; 110 V print engine (new, HP LaserJet 3052 all-in-one) Q6503-67001; 110 V print engine (new, HP LaserJet 3055 all-in-one) Q6502-69001; 110 V print engine (exchange, HP LaserJet 3052 all-in-one) Q6503-69001; 110 V print engine (exchange, HP LaserJet 3055 all-in-one) or ● Q6502-67002; 220 V print engine (new, HP LaserJet 3052 all-in-one) Q6503-67002; 220 V print engine (new, HP LaserJet 3055 all-in-one) Q6502-69002; 220 V print engine (exchange, HP LaserJet 3052 all-in-one) Q6503-69002; 220 V print engine (exchange, HP LaserJet 3055 all-in-one)
<p><i>Plus the following components</i></p>	<p><i>Plus the following components</i></p>
<p>The correct LIU</p> <ul style="list-style-type: none"> ● Q2663-60001 US/WW LIU ² or ● Q2687-60002 EMEA LIU ² 	<p>The correct LIU ³</p> <ul style="list-style-type: none"> ● Q2663-60001 US/WW LIU ² or ● Q2687-60002 EMEA LIU ²
<p>Formatter components</p> <ul style="list-style-type: none"> ● Q7844-60002; HP LaserJet 3050 all-in-one formatter PCA ● I/O plate ¹ ● Safety shield ¹ ● LAN port plate¹ 	<p>Formatter components</p> <ul style="list-style-type: none"> ● Q7528-60001; HP LaserJet 3052 all-in-one formatter PCA or ● Q7529-60002; HP LaserJet 3055 all-in-one formatter PCA ● I/O plate ¹ ● Safety shield ¹ ● Jack plate (HP LaserJet 3052 all-in-one only)
<p>Link assembly and springs</p> <ul style="list-style-type: none"> ● RM1-0896-000CN; Scanner link assembly, left ● RM1-0897-000CN; Scanner link assembly, right ● RU5-2885-000CN; Scanner spring, compression (qty 2) 	<p>Link assembly and springs</p> <ul style="list-style-type: none"> ● Q6502-67903; Scanner link assembly, kit

Table 7-5 Replacing the printer engine assembly (continued)

HP LaserJet 3050 all-in-one	HP LaserJet 3052/3055 all-in-one
Scanner-top components	Scanner-top components
<ul style="list-style-type: none">● Scanner base-frame assembly● RL1-0376-000CN; Scanner sheet, grounding● RK2-1214-000CN; Scanner flat, flexible cable● RM1-3076-000CN; Scanner cover, left● RM1-3077-000CN; Scanner cover, right● RM1-3063-000CN; Scanner-frame assembly● RC1-8416-000CN; Scanner top cover● RK2-1209-000CN; Control-panel assembly	<ul style="list-style-type: none">● Q6502-60117; ADF lid● Q1636-40036; Hinge retainer clip (Solar lock)● Q6502-60117 Scanner assembly● 7121-8285; HP jewel, control panel
	The correct control panel
	<ul style="list-style-type: none">● Q6502-60101; HP LaserJet 3052 all-in-one control panel or <ul style="list-style-type: none">● Q65036-60101; HP LaserJet 3055 all-in-one control panel

¹ The metal I/O plate, safety shield, jack plate, and LAN port plate are not FRUs and cannot be ordered. These metal components must be transferred from the failed printer engine assembly to the replacement assembly.

² The EMEA LIU is used in Europe only. All other countries/regions worldwide use the U.S./WW LIU.

³ The HP LaserJet 3052 all-in-one does *not* have fax capabilities and does *not* require a LIU.

Diagrams

Component locations, HP LaserJet 3050/3052/3055 all-in-one printer (product base)

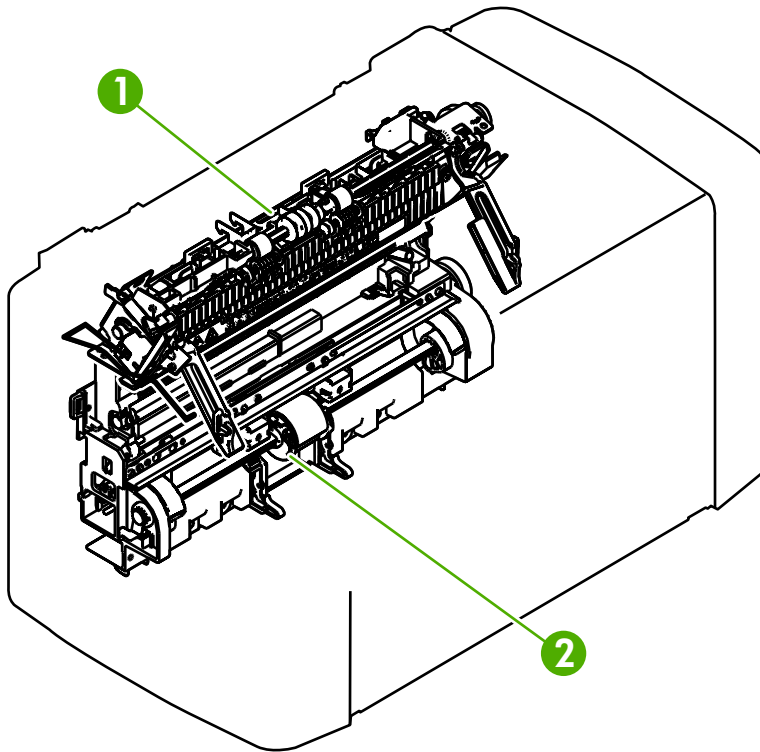


Figure 7-1 Major components

1	Fuser assembly
2	Paper-pickup assembly

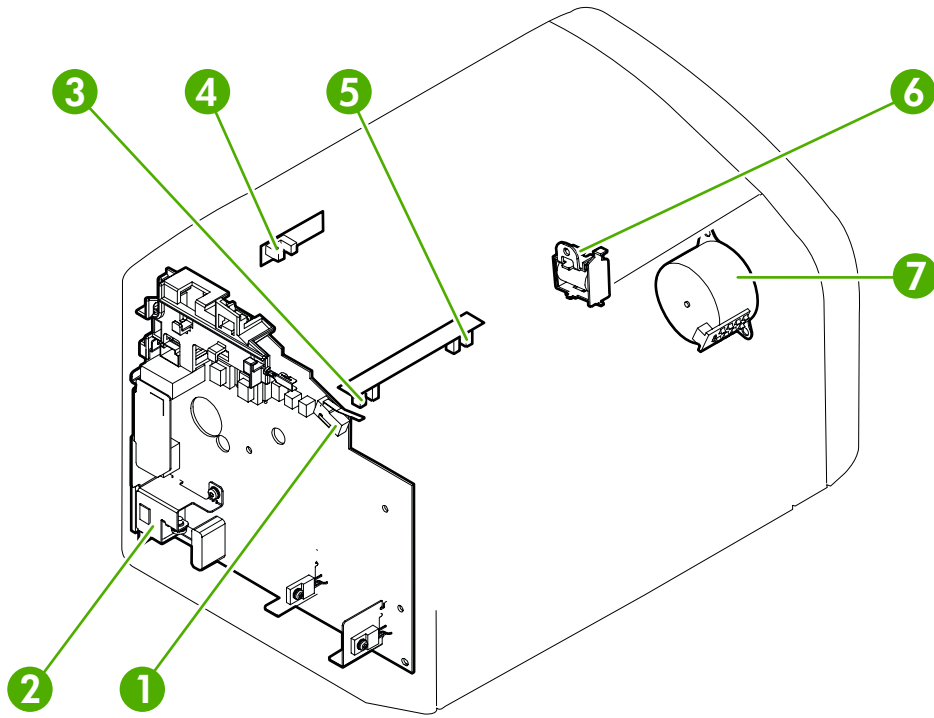


Figure 7-2 Solenoid, sensors, switches, and motor

1	Print-cartridge-door switch
2	Power switch/power supply
3	Paper-width sensor
4	Paper-delivery sensor
5	Top-of-page sensor
6	Solenoid
7	Motor

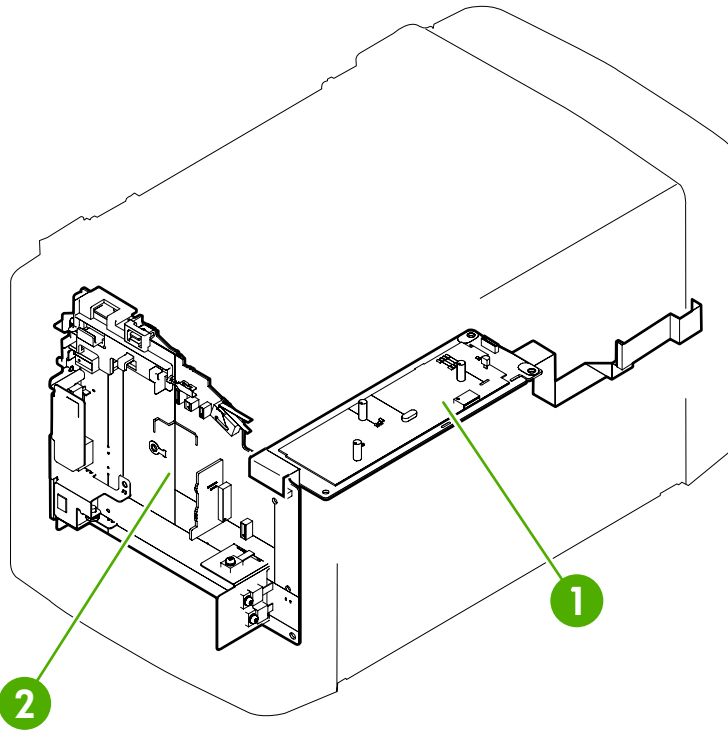



Figure 7-3 PCBs

1	Engine controller unit (ECU)
2	Formatter
	NOTE For the HP LaserJet 3050 all-in-one and HP LaserJet 3055 all-in-one, the LIU is attached to the formatter. The HP LaserJet 3052 all-in-one does not have fax capabilities, and does not use an LIU.

Main wiring

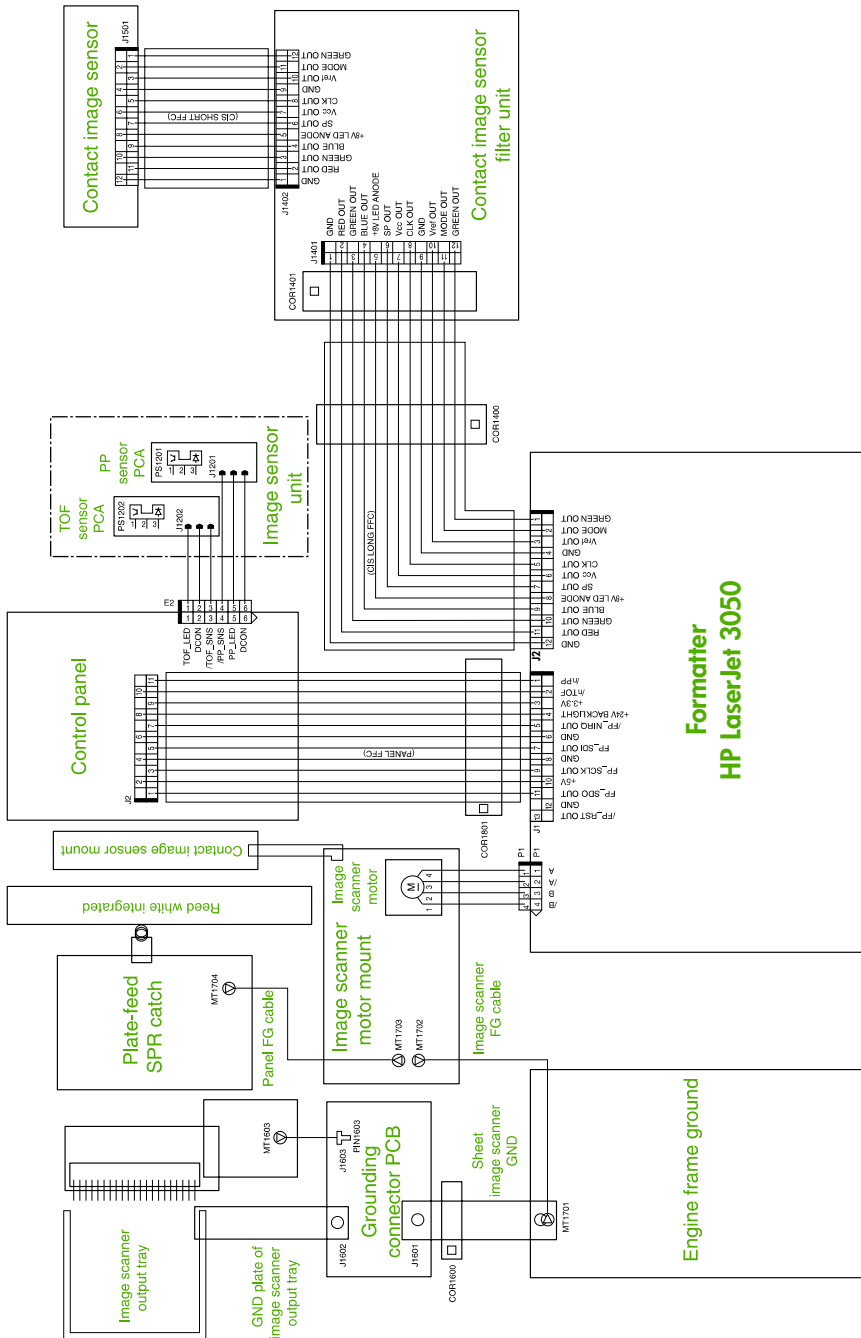


Figure 7-4 Main wiring, HP LaserJet 3050 all-in-one scanner assembly

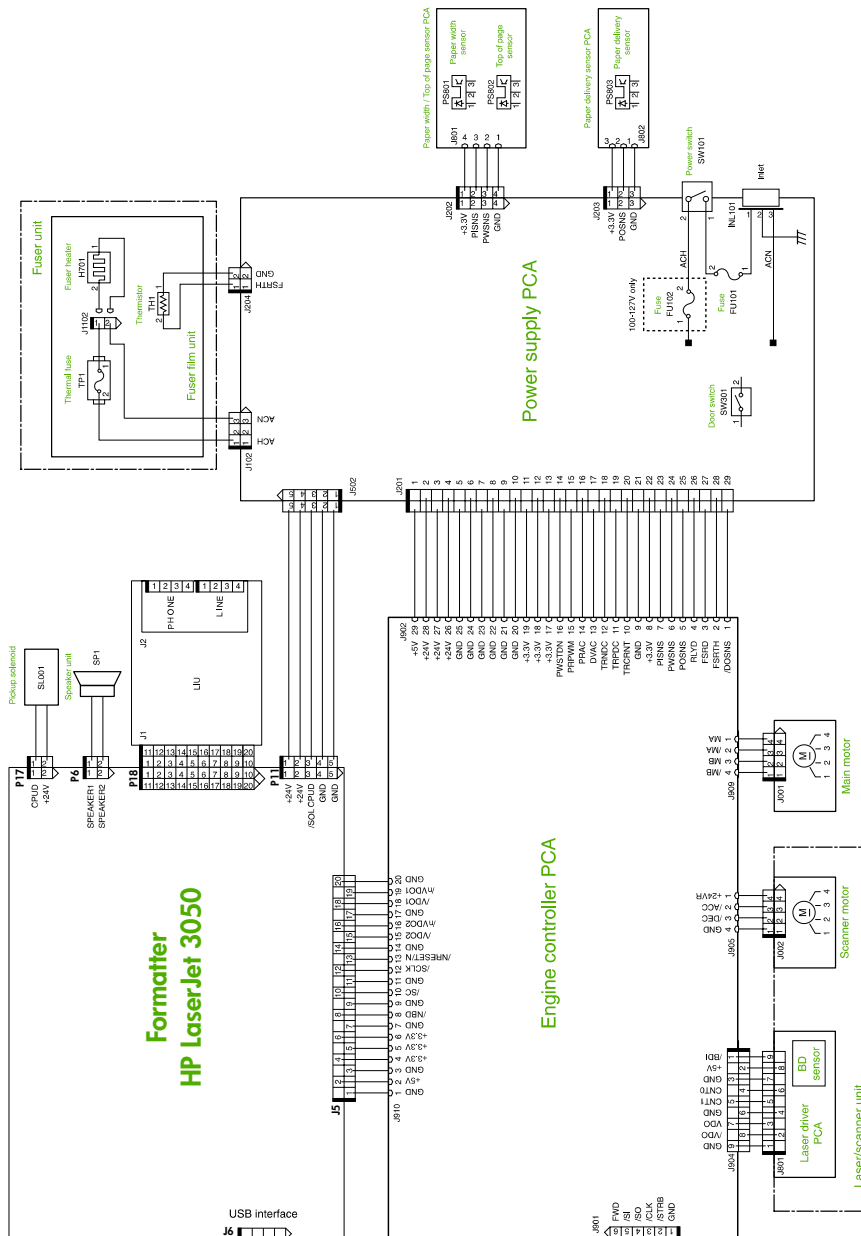


Figure 7-5 Main wiring, HP LaserJet 3050 all-in-one printer (product base)

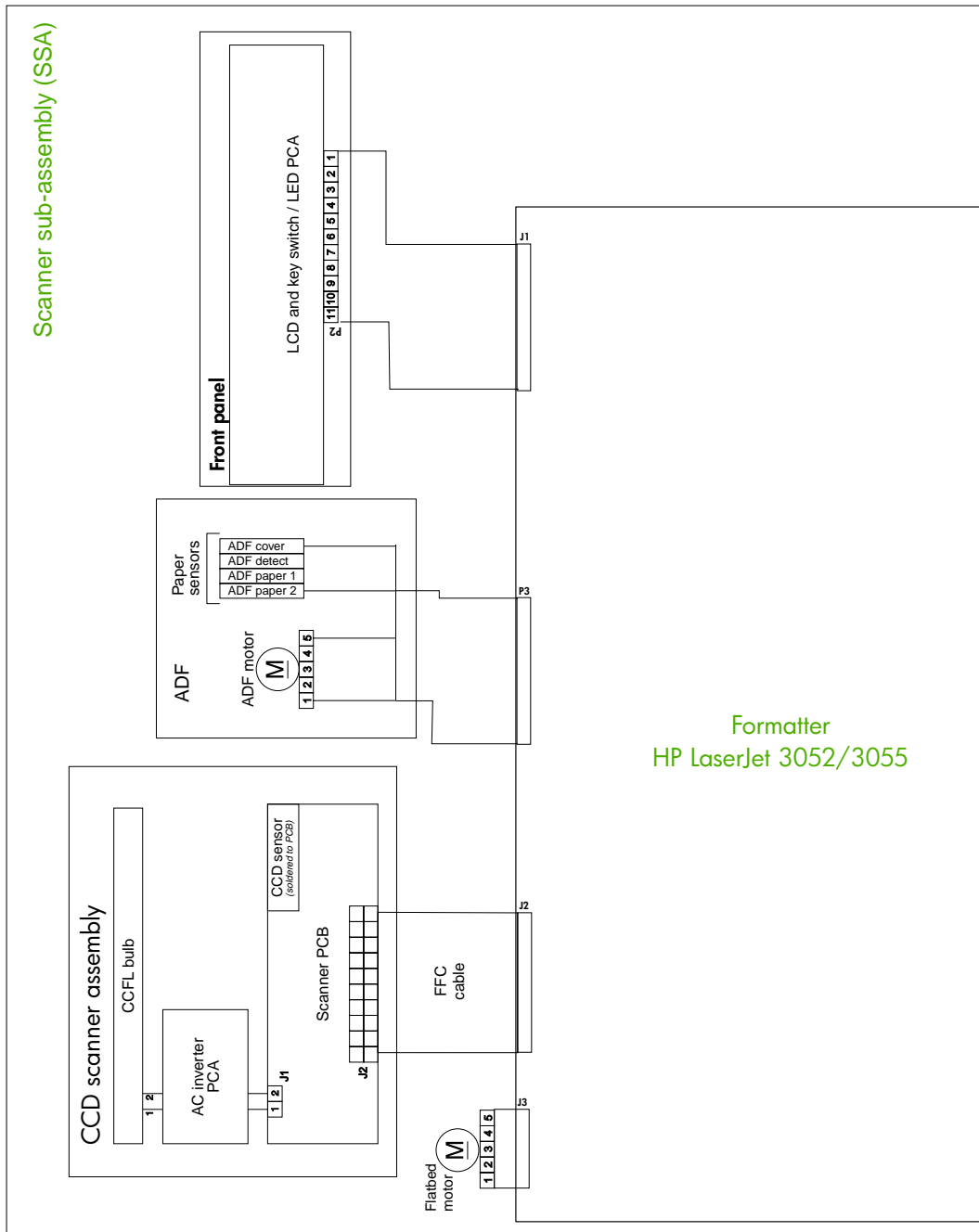


Figure 7-6 Main wiring, HP LaserJet 3052/3055 all-in-one scanner assembly

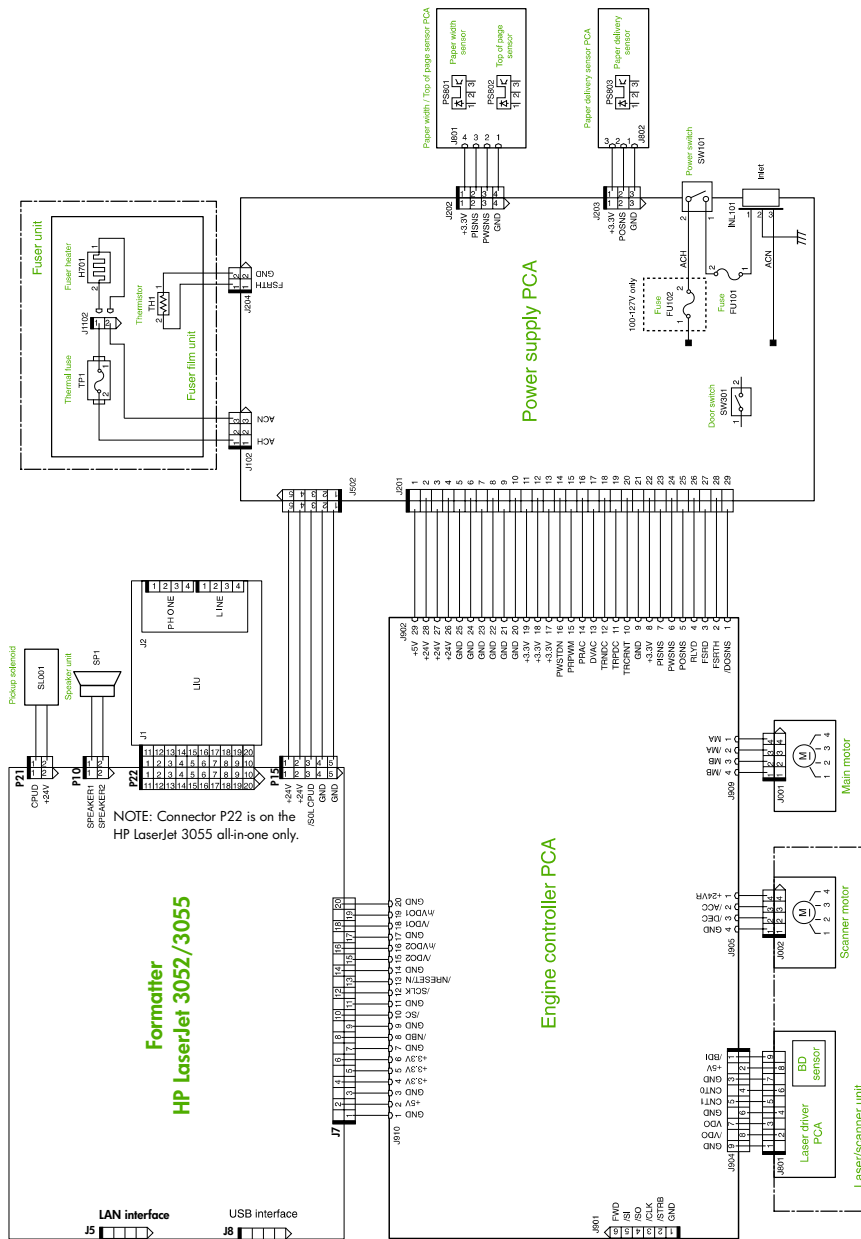


Figure 7-7 Main wiring, HP LaserJet 3050/3052/3055 all-in-one printer (product base)

Formatter PCA and LIU connectors

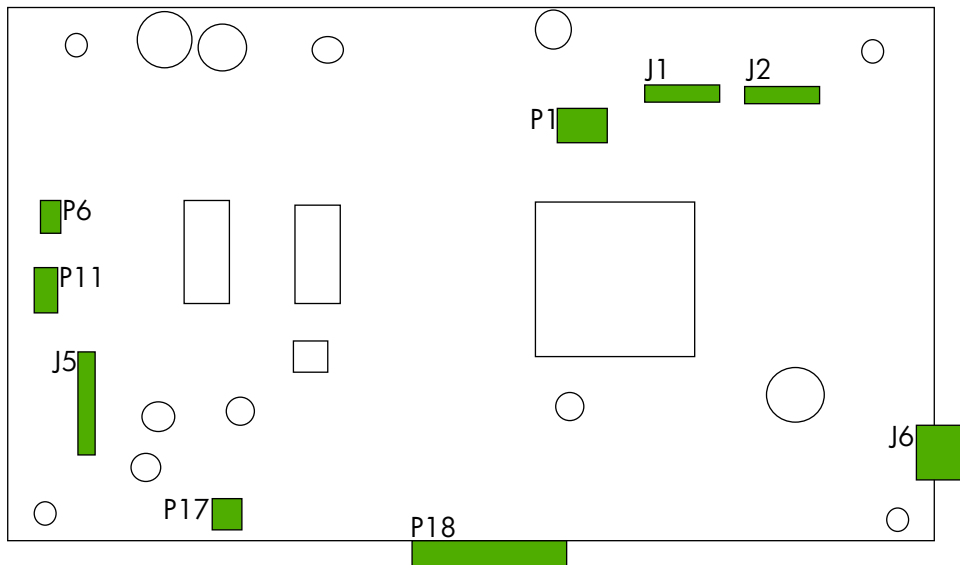
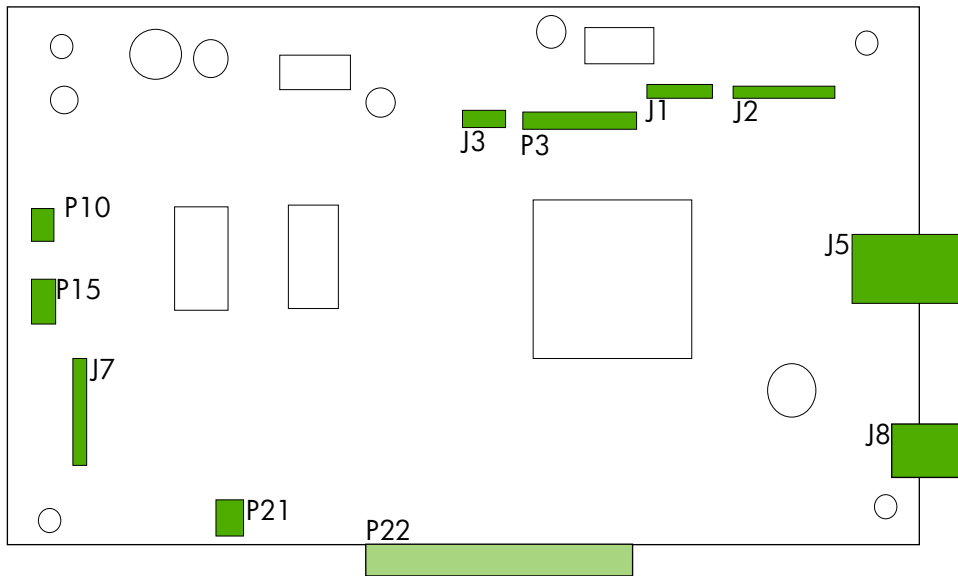


Figure 7-8 Formatter connections, HP LaserJet 3050 all-in-one

Table 7-6 Formatter connections, HP LaserJet 3050 all-in-one

Name	Connection
P1	ADF
J1	Control panel
J2	Scanner (CIS)
J6	USB
P18	LIU
P17	Engine solenoid
J5	Engine
P11	Engine power
P6	Speaker



NOTE: Connector P22 and its associated fax circuitry is for the HP LaserJet 3055 all-in-one only.

Figure 7-9 Formatter connections, HP LaserJet 3052/3055 all-in-one

Table 7-7 Formatter connections, HP LaserJet 3052/3055 all-in-one

Name	Connection
J1	Control panel
J2	Scanner (CCD)
J5	Local area network
J8	USB
J7	Engine
P22	LIU (HP LaserJet 3055 all-in-one only)
P15	Engine solenoid
P10	Speaker
J3	Flatbed motor
P3	ADF

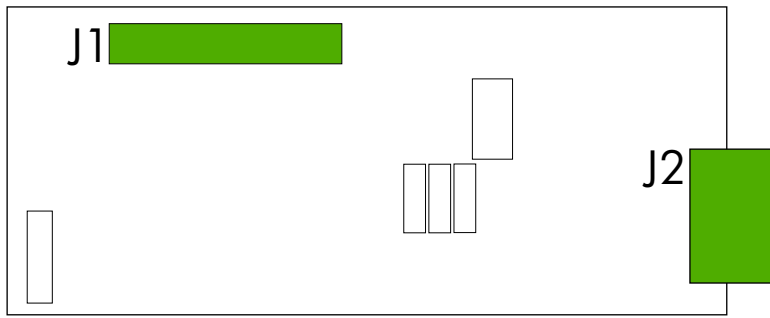


Figure 7-10 LIU connections, HP LaserJet 3050/3055 all-in-one

Table 7-8 LIU connections, HP LaserJet 3050/3055 all-in-one

Name	Connection
J1	Formatter
J2	Fax ports

HP LaserJet 3050 all-in-one scanner assembly

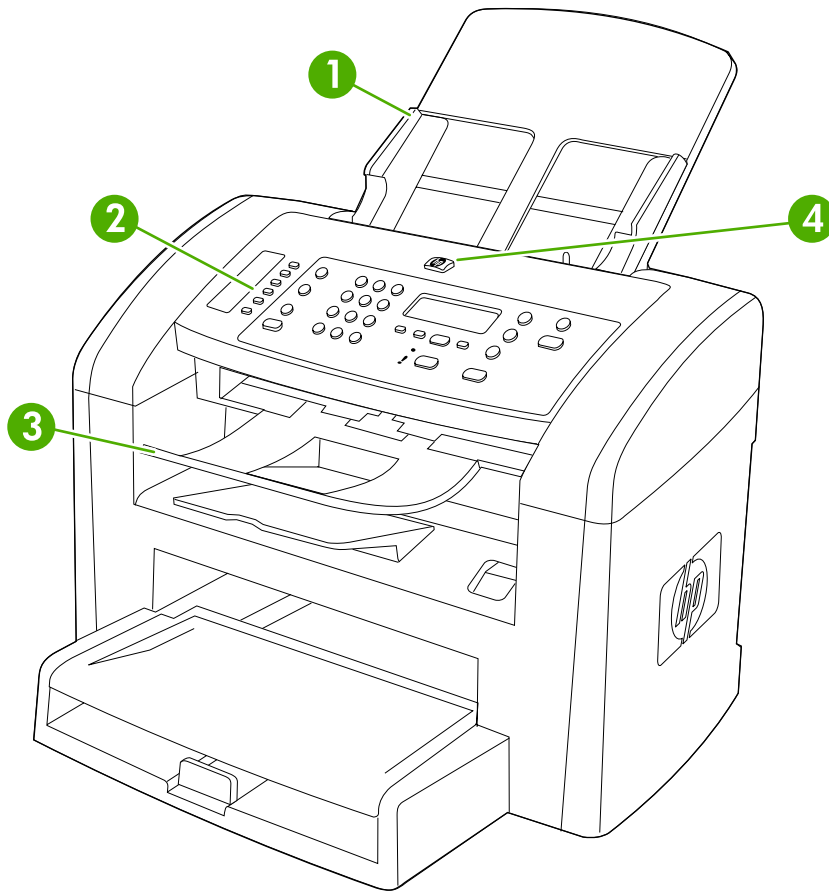


Figure 7-11 Scanner assembly, HP LaserJet 3050 all-in-one

Table 7-9 Scanner assembly, HP LaserJet 3050 all-in-one

Ref	Description	Part number	Qty
1	Pickup-tray assembly, HP LaserJet 3050 all-in-one scanner	RM1-3419-000CN	1
2	Control-panel assembly, HP LaserJet 3050 all-in-one	See Figure 7-12 ADF components, HP LaserJet 3050 all-in-one on page 300 .	
3	Tray, delivery , HP LaserJet 3050 all-in-one scanner	RM1-8443-000CN	1
4	HP jewel	7121-8285	1

ADF components, HP LaserJet 3050 all-in-one

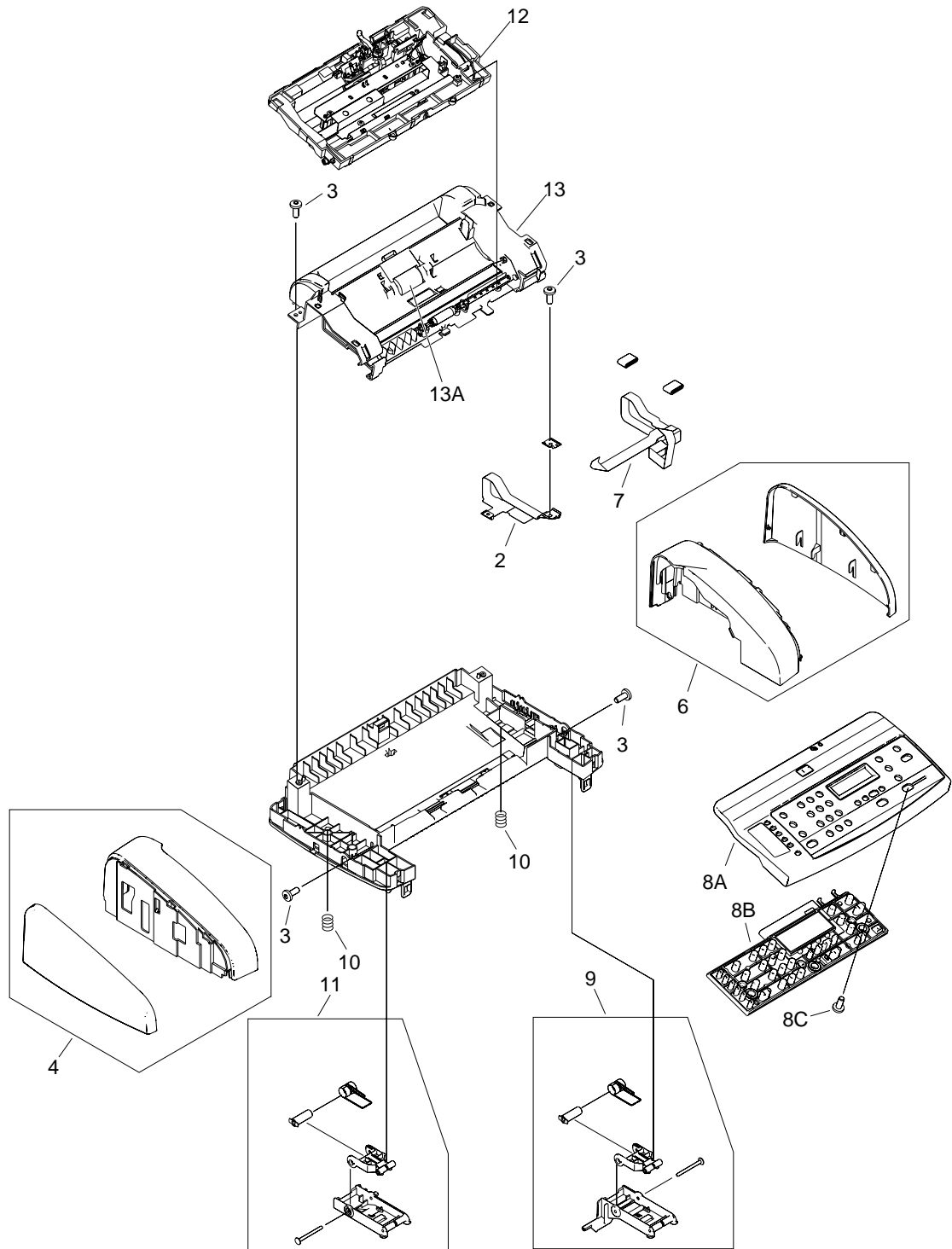


Figure 7-12 ADF components, HP LaserJet 3050 all-in-one

Table 7-10 ADF components, HP LaserJet 3050 all-in-one

Ref	Description	Part number	Qty
2	Sheet, grounding, HP LaserJet 3050 all-in-one scanner	RL1-0376-000CN	1
3	Screw, tap, M4X10	XB4-5401-009CN	6
4	Cover, left, HP LaserJet 3050 all-in-one scanner	RM1-3076-000CN	1
6	Cover, right, HP LaserJet 3050 all-in-one scanner	RM1-3077-000CN	1
7	Flat, flexible cable (FFC), HP LaserJet 3050 all-in-one scanner	RK2-1214-000CN	1
8A	Cover, top, HP LaserJet 3050 all-in-one	RC1-8416-000CN	1
8B	Control-panel assembly, HP LaserJet 3050 all-in-one	RK2-1209-000CN	1
8C	Screw, tap, M4X10	XB4-5401-009CN	3
9	Scanner link assembly, right, HP LaserJet 3050 all-in-one	RM1-0897-000CN	1
10	Spring, compression, HP LaserJet 3050 all-in-one scanner	RU5-2885-000CN	2
11	Scanner link assembly, left, HP LaserJet 3050 all-in-one	RM1-0896-000CN	1
12	Guide assembly, HP LaserJet 3050 all-in-one scanner	RM1-3066-000CN	1
13	Scanner frame assembly, HP LaserJet 3050 all-in-one	RM1-3063-000CN	1
13A	Pickup-roller assembly, HP LaserJet 3050 all-in-one scanner	RM1-0885-000CN	1
Not shown	Scanner-hinge tool	5185-7441	1
Not shown	Control-panel overlay, Arabic, HP LaserJet 3050 all-in-one	Q6504-00019	1
Not shown	Control-panel overlay, Chinese simplified, HP LaserJet 3050 all-in-one	Q6504-00022	1
Not shown	Control-panel overlay, Chinese traditional, HP LaserJet 3050 all-in-one	Q6504-00020	1
Not shown	Control-panel overlay, Czech, HP LaserJet 3050 all-in-one	Q6504-00012	1
Not shown	Control-panel overlay, Danish, HP LaserJet 3050 all-in-one	Q6504-00010	1
Not shown	Control-panel overlay, English, HP LaserJet 3050 all-in-one	Q2669-40002	1
Not shown	Control-panel overlay, Finnish, HP LaserJet 3050 all-in-one	Q6504-00009	1
Not shown	Control-panel overlay, Greek, HP LaserJet 3050 all-in-one	Q6504-00017	1
Not shown	Control-panel overlay, Hebrew, HP LaserJet 3050 all-in-one	Q6504-00018	1
Not shown	Control-panel overlay, Hungarian, HP LaserJet 3050 all-in-one	Q6504-00013	1
Not shown	Control-panel overlay, Italian, HP LaserJet 3050 all-in-one	Q6504-00006	1
Not shown	Control-panel overlay, Korean, HP LaserJet 3050 all-in-one	Q6504-00021	1
Not shown	Control-panel overlay, Norwegian, HP LaserJet 3050 all-in-one	Q6504-00008	1
Not shown	Control-panel overlay, Polish, HP LaserJet 3050 all-in-one	Q6504-00014	1
Not shown	Control-panel overlay, Russian, HP LaserJet 3050 all-in-one	Q6504-00011	1
Not shown	Control-panel overlay, Slovak, HP LaserJet 3050 all-in-one	Q6504-00015	1
Not shown	Control-panel overlay, Swedish, HP LaserJet 3050 all-in-one	Q6504-00007	1

Ref	Description	Part number	Qty
Not shown	Control-panel overlay, Thai, HP LaserJet 3050 all-in-one	Q6504-00023	1
Not shown	Control-panel overlay, Turkish, HP LaserJet 3050 all-in-one	Q6504-00016	1
Not shown	Control-panel overlay, Vietnamese, HP LaserJet 3050 all-in-one	Q6504-00024	1

Guide assembly, HP LaserJet 3050 all-in-one

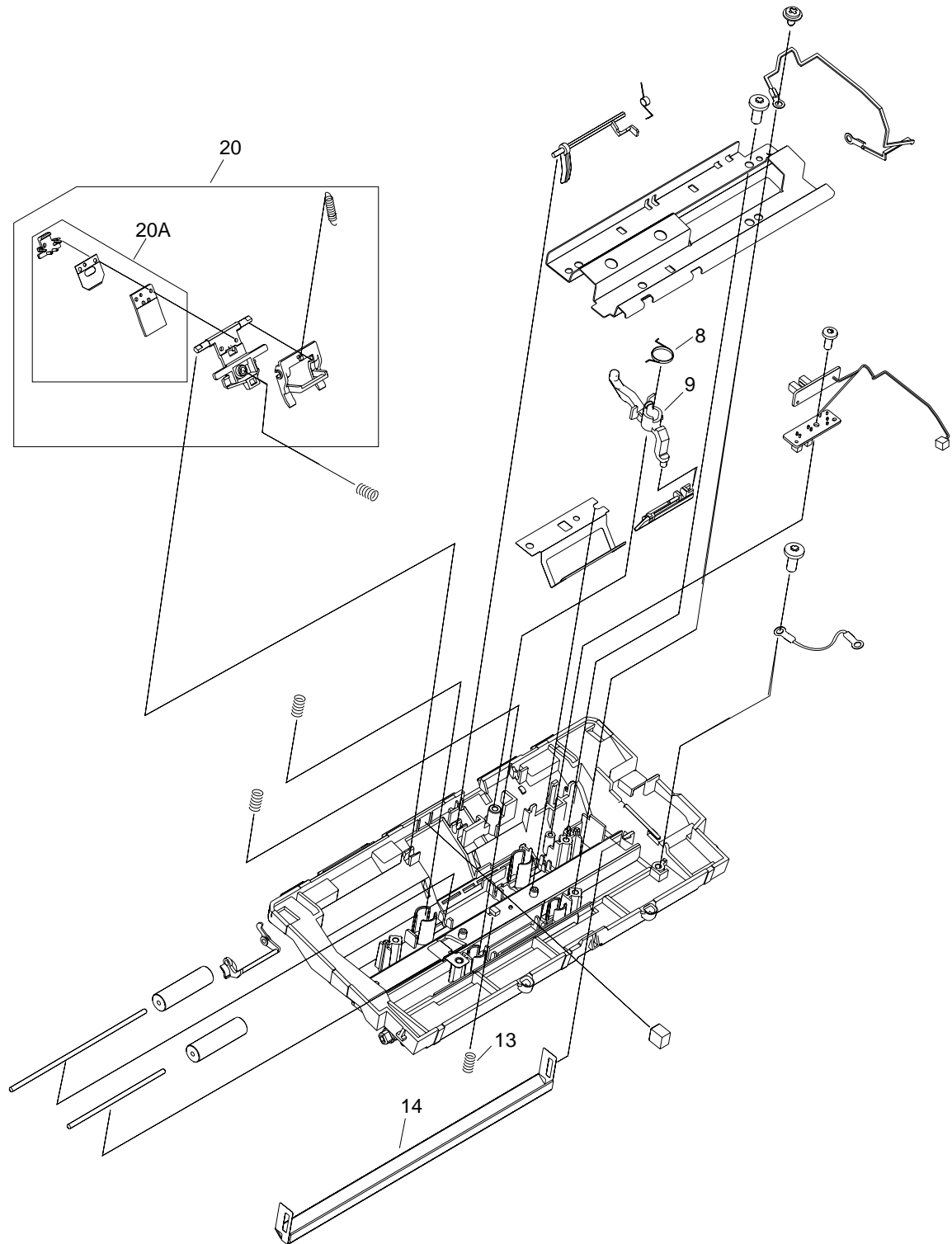


Figure 7-13 Guide assembly, HP LaserJet 3050 all-in-one

Table 7-11 Guide assembly, HP LaserJet 3050 all-in-one

Ref	Description	Part number	Qty
	Guide assembly, HP LaserJet 3050 all-in-one scanner	RM1-3066-000CN	1
8	Scanner media-lever torsion spring (lever, pressure convert)	RC1-2544-000CN	1
9	Scanner media lever (lever, pressure convert), HP LaserJet 3050 all-in-one	RC1-8413-000CN	1
13	Spring, compression, white platen	RU5-2196-000CN	3
14	Platen, white, HP LaserJet 3050 all-in-one scanner	RF5-3235-000CN	1
20	Separation-pad assembly, HP LaserJet 3050 all-in-one scanner	RM1-0890-000CN	1
20A	Separation-pad set, HP LaserJet 3050 all-in-one scanner	RM1-0891-000CN	1



NOTE The *separation-pad set* and the *separation-pad assembly* are two different assemblies.

The separation-pad set consists of the pad, clear plastic sheet, and the pad cover. The separation-pad set *is* a user-replaceable assembly.

The separation-pad assembly consists of the separation lever, tension spring, feed arm, and the components of the separation-pad set. The separation-pad assembly *is not* a user-replaceable assembly.

Only trained service personnel should attempt to replace the separation-pad assembly.

HP LaserJet 3052/3055 all-in-one scanner assembly

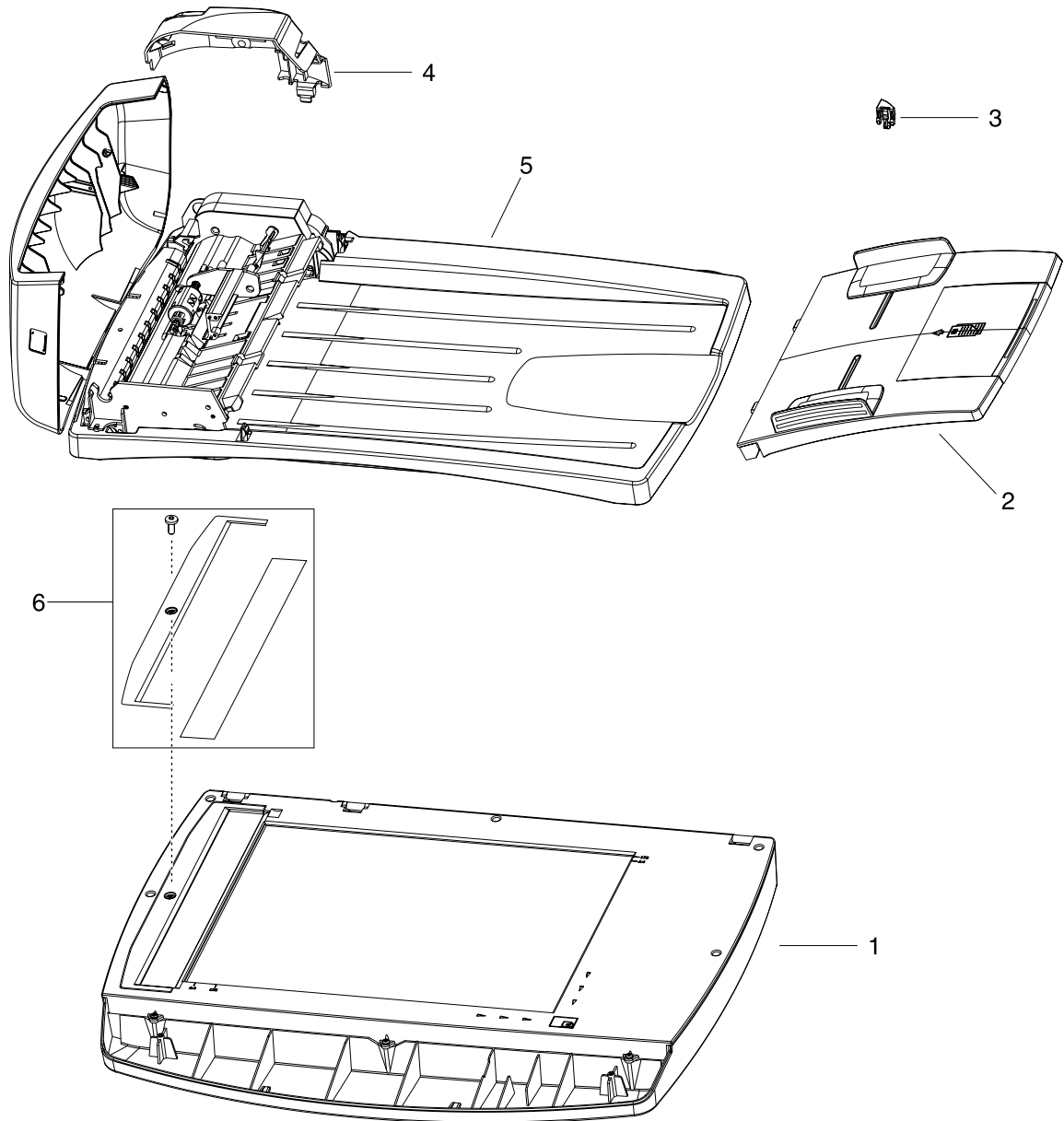


Figure 7-14 Scanner assembly, HP LaserJet 3052/3055 all-in-one

Table 7-12 Scanner assembly, HP LaserJet 3052/3055 all-in-one

Ref	Description	Part number	Qty
	Flatbed scanner assembly	Q6502-60116	1
1	Flatbed scanner assembly (does not include the flatbed lid)	Q6502-60116	1
2	ADF input tray	Q3948-60214	1
3	Solar lock	Q1636-40036	1
4	Shield, motor	Q1636-40010	1
5	ADF/flatbed lid with packaging	Q6502-60117	1
6	Scanner glass replacement kit	Q6500-67904	1

Major assemblies, HP LaserJet 3052/3055 all-in-one

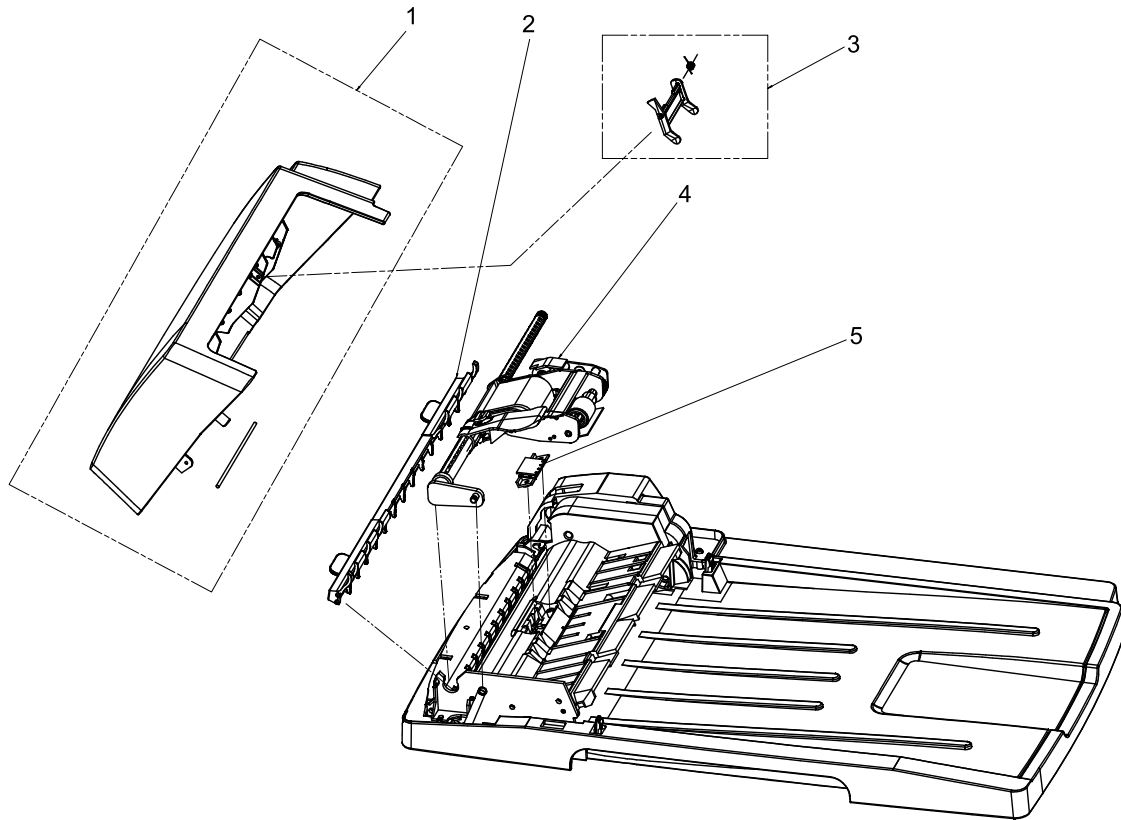


Figure 7-15 Major assemblies, HP LaserJet 3052/3055 all-in-one

Table 7-13 Major assemblies, HP LaserJet 3052/3055 all-in-one

Ref	Description	Part number	Qty
1	ADF cover replacement, HP LaserJet 3052/3055 all-in-one	Q6502-67901	1
2	ADF cleanout/comb	C7309-40153	1
3	Kit, replacement, ADF input-tray flag	Q3948-67902	1
4	ADF pickup-roller assembly	5851-2559	1
5	ADF separation pad	Q2665-60125	1

Scanner components, HP LaserJet 3052/3055 all-in-one

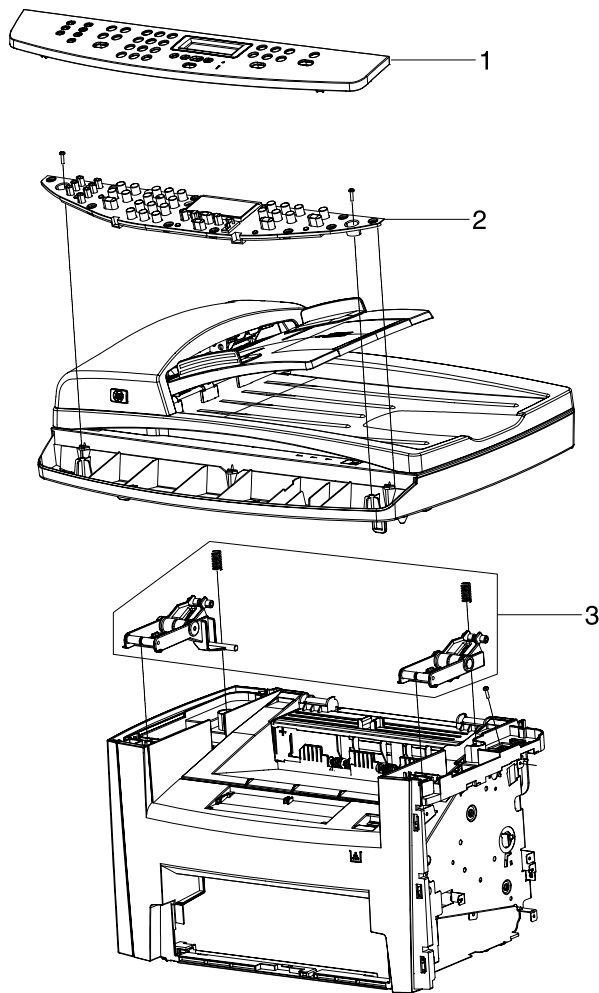


Figure 7-16 Scanner components, HP LaserJet 3052/3055 all-in-one

Table 7-14 Scanner components, HP LaserJet 3052/3055 all-in-one

Ref	Description	Part number	Qty
1	Bezel, Arabic, HP LaserJet 3052 all-in-one	Q6502-40026	1
1	Bezel, blank painted, HP LaserJet 3052 all-in-one	Q6502-40002	1
1	Bezel, blank unpainted, HP LaserJet 3052 all-in-one	Q6502-40001	1
1	Bezel, Chinese simplified, HP LaserJet 3052 all-in-one	Q6502-40029	1
1	Bezel, Chinese traditional , HP LaserJet 3052 all-in-one	Q6502-40027	1
1	Bezel, Czech, HP LaserJet 3052 all-in-one	Q6502-40019	1
1	Bezel; Danish, HP LaserJet 3052 all-in-one	Q6502-40017	1
1	Bezel, Dutch, HP LaserJet 3052 all-in-one	Q6502-40012	1
1	Bezel, English, HP LaserJet 3052 all-in-one	Q6502-40007	1
1	Bezel, Finnish, HP LaserJet 3052 all-in-one	Q6503-40016	1
1	Bezel, French, HP LaserJet 3052 all-in-one	Q6502-40011	1
1	Bezel, German, HP LaserJet 3052 all-in-one	Q6502-40010	1
1	Bezel, German unpainted, HP LaserJet 3052 all-in-one	Q6502-40032	1
1	Bezel, Greek, HP LaserJet 3052 all-in-one	Q2665-40024	1
1	Bezel, Hebrew, HP LaserJet 3052 all-in-one	Q6502-40025	1
1	Bezel, Hungarian, HP LaserJet 3052 all-in-one	Q6502-40020	1
1	Bezel, Italian, HP LaserJet 3052 all-in-one	Q2665-40013	1
1	Bezel, Korean, HP LaserJet 3052 all-in-one	Q6502-40028	1
1	Bezel, Norwegian, HP LaserJet 3052 all-in-one	Q6502-40015	1
1	Bezel, Polish, HP LaserJet 3052 all-in-one	Q6502-40021	1
1	Bezel, Portuguese, HP LaserJet 3052 all-in-one	Q6502-40009	1
1	Bezel, Russian, HP LaserJet 3052 all-in-one	Q6502-40018	1
1	Bezel, Slovak, HP LaserJet 3052 all-in-one	Q6502-40022	1
1	Bezel, Spanish, HP LaserJet 3052 all-in-one	Q6502-40008	1
1	Bezel, Swedish, HP LaserJet 3052 all-in-one	Q6502-40014	1
1	Bezel, Thai, HP LaserJet 3052 all-in-one	Q6502-40030	1
1	Bezel, Turkish, HP LaserJet 3052 all-in-one	Q6502-40023	1
1	Bezel, Vietnamese, HP LaserJet 3052 all-in-one	Q6502-40031	1
1	Bezel, Arabic, HP LaserJet 3055 all-in-one	Q6503-40022	1
1	Bezel, blank painted, HP LaserJet 3055 all-in-one	Q6503-40002	1
1	Bezel, blank unpainted, HP LaserJet 3055 all-in-one	Q6503-40001	1
1	Bezel, Chinese simplified, HP LaserJet 3055 all-in-one	Q6503-40025	1
1	Bezel, Chinese traditional, HP LaserJet 3055 all-in-one	Q6503-40023	1
1	Bezel, Czech, HP LaserJet 3055 all-in-one	Q6503-40015	1

Ref	Description	Part number	Qty
1	Bezel, Danish, HP LaserJet 3055 all-in-one	Q6503-40013	1
1	Bezel, Dutch, HP LaserJet 3055 all-in-one	Q6503-40008	1
1	Bezel, English, HP LaserJet 3055 all-in-one	Q6505-40003	1
1	Bezel, Finnish, HP LaserJet 3055 all-in-one	Q6503-40012	1
1	Bezel, French, HP LaserJet 3055 all-in-one	Q6505-40007	1
1	Bezel, German, HP LaserJet 3055 all-in-one	Q6503-40006	1
1	Bezel, German unpainted, HP LaserJet 3055 all-in-one	Q6503-40028	1
1	Bezel, Greek, HP LaserJet 3055 all-in-one	Q6503-40020	1
1	Bezel, Hebrew, HP LaserJet 3055 all-in-one	Q6503-40021	1
1	Bezel, Hungarian HP LaserJet 3055 all-in-one	Q6505-40016	1
1	Bezel, Italian, HP LaserJet 3055 all-in-one	Q6503-40009	1
1	Bezel, Korean, HP LaserJet 3055 all-in-one	Q6503-40024	1
1	Bezel, Norwegian, HP LaserJet 3055 all-in-one	Q6503-40011	1
1	Bezel, Polish, HP LaserJet 3055 all-in-one	Q6503-40017	1
1	Bezel, Portuguese, HP LaserJet 3055 all-in-one	Q6503-40005	1
1	Bezel, Russian, HP LaserJet 3055 all-in-one	Q6503-40014	1
1	Bezel, Slovak, HP LaserJet 3055 all-in-one	Q6505-40018	1
1	Bezel, Spanish, HP LaserJet 3055 all-in-one	Q6503-40004	1
1	Bezel, Swedish, HP LaserJet 3055 all-in-one	Q6503-40010	1
1	Bezel, Thai, HP LaserJet 3055 all-in-one	Q6503-40026	1
1	Bezel, Turkish, HP LaserJet 3055 all-in-one	Q6503-40019	1
1	Bezel, Vietnamese, HP LaserJet 3055 all-in-one	Q6503-40027	1
2	Control panel, HP LaserJet 3052 all-in-one	Q6502-60101	
2	Control panel, HP LaserJet 3055 all-in-one	Q6503-60101	
3	Scanner link assembly, kit, HP LaserJet 3052/3055 all-in-one	Q6502-67903	1

Printer (product base), HP LaserJet 3050/3052/3055 all-in-one

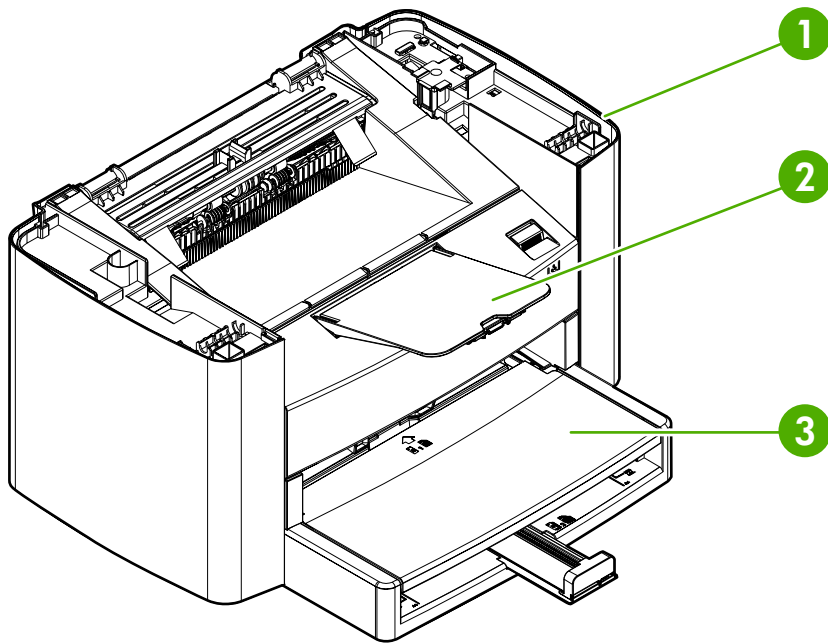


Figure 7-17 Printer (product base), HP LaserJet 3050/3052/3055 all-in-one

Table 7-15 Printer (product base), HP LaserJet 3050/3052/3055 all-in-one

Ref	Description	Part number	Qty
1	Print engine HP LaserJet 3050 all-in-one, replacement 110 V	Q6504-67001	1
1	Print engine HP LaserJet 3050 all-in-one, replacement 220 V	Q6504-67002	1
1	Print engine HP LaserJet 3050 all-in-one, exchange 110 V	Q6504-69001	1
1	Print engine HP LaserJet 3050 all-in-one, exchange 220 V	Q6504-69002	1
1	Print engine HP LaserJet 3052 all-in-one, replacement 110 V	Q6502-67001	1
1	Print engine HP LaserJet 3052 all-in-one, replacement 220 V	Q6502-67002	1
1	Print engine HP LaserJet 3055 all-in-one, replacement 110 V	Q6503-67001	1
1	Print engine HP LaserJet 3055 all-in-one, replacement 220 V	Q6503-67002	1
2	Delivery tray assembly	RM1-3059-000CN	1
3	Pickup tray assembly	RM1-3060-000CN	1
Not shown	Print cartridge	Q2460-67913	1
Not shown	HP jewel	7121-8285	1



NOTE The printer/product base (reference items 1 or 2) *does not* come with all of the components that are required to make it a functioning unit. Components from the unit that is being serviced must be removed from that unit and installed on the replacement unit. See [Replacing the printer engine assembly on page 285](#) in this chapter for a complete list of the components you must replace on the print engine.

External covers, printer (product base)

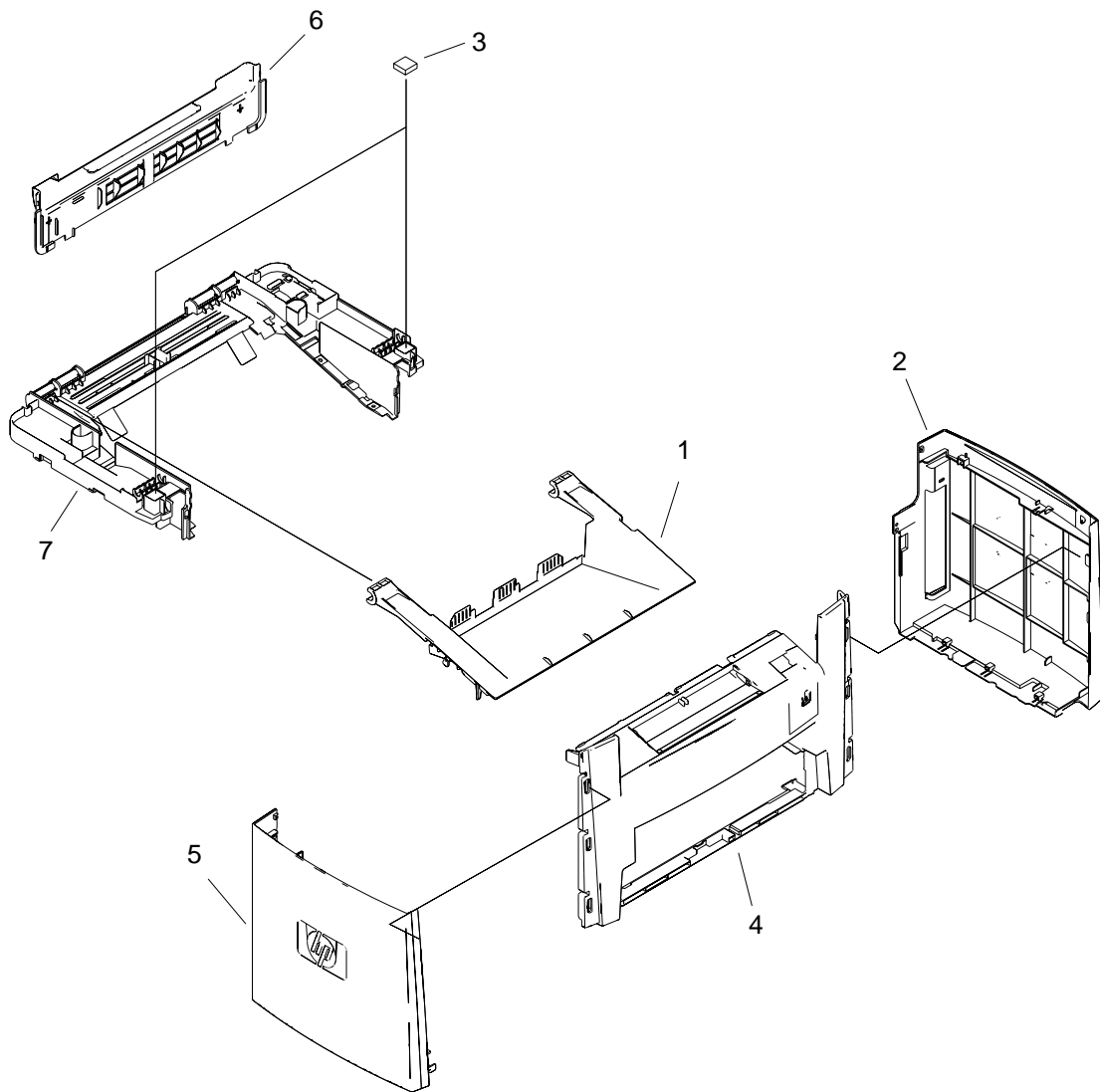


Figure 7-18 External covers, printer (product base)

Table 7-16 External covers, printer (product base)

Ref	Description	Part number	Qty
1	Door, print cartridge	RC1-8372-000CN	1
2	Cover, right	RC1-8374-000CN	1
3	Scanner cushion	RC1-2476-000CN	2
4	Cover, front	RL1-1160-000CN	1
5	Cover, left	RC1-8373-000CN	1
6	Cover, rear	RC1-2474-000CN	1
7	Cover, top (scanner support-frame), printer	RL1-1161-000CN	1

Formatter and LIU

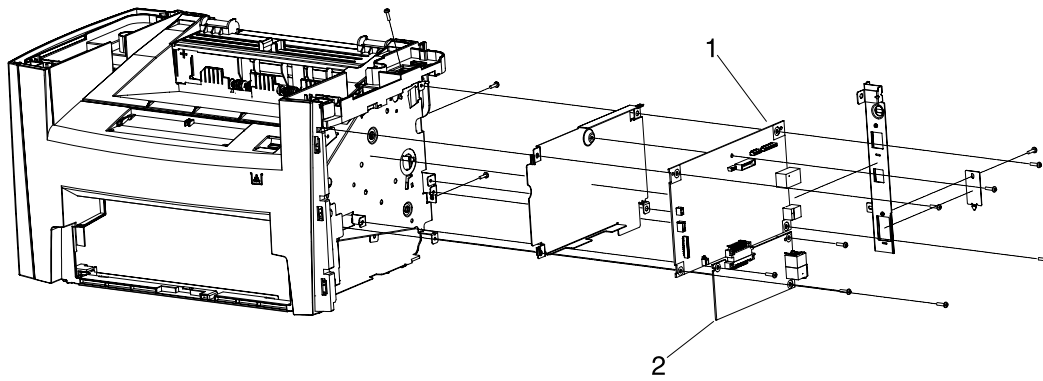


Figure 7-19 Formatter and LIU

Table 7-17 Formatter and LIU

Ref	Description	Part number	Qty
1	Formatter, HP LaserJet 3050 all-in-one	Q7844-60002	1
1	Formatter, HP LaserJet 3052 all-in-one	Q7528-60001	1
1	Formatter, HP LaserJet 3055 all-in-one	Q7529-60002	1
2	LIU, HP LaserJet 3050 all-in-one, US/WW	Q2663-60001	1
2	LIU, HP LaserJet 3050 all-in-one, EMEA	Q2687-60002	1
2	LIU, HP LaserJet 3055 all-in-one, US/WW	Q2663-60001	1
2	LIU, HP LaserJet 3055 all-in-one, EMEA	Q2687-60002	1

Internal components, printer (product base)

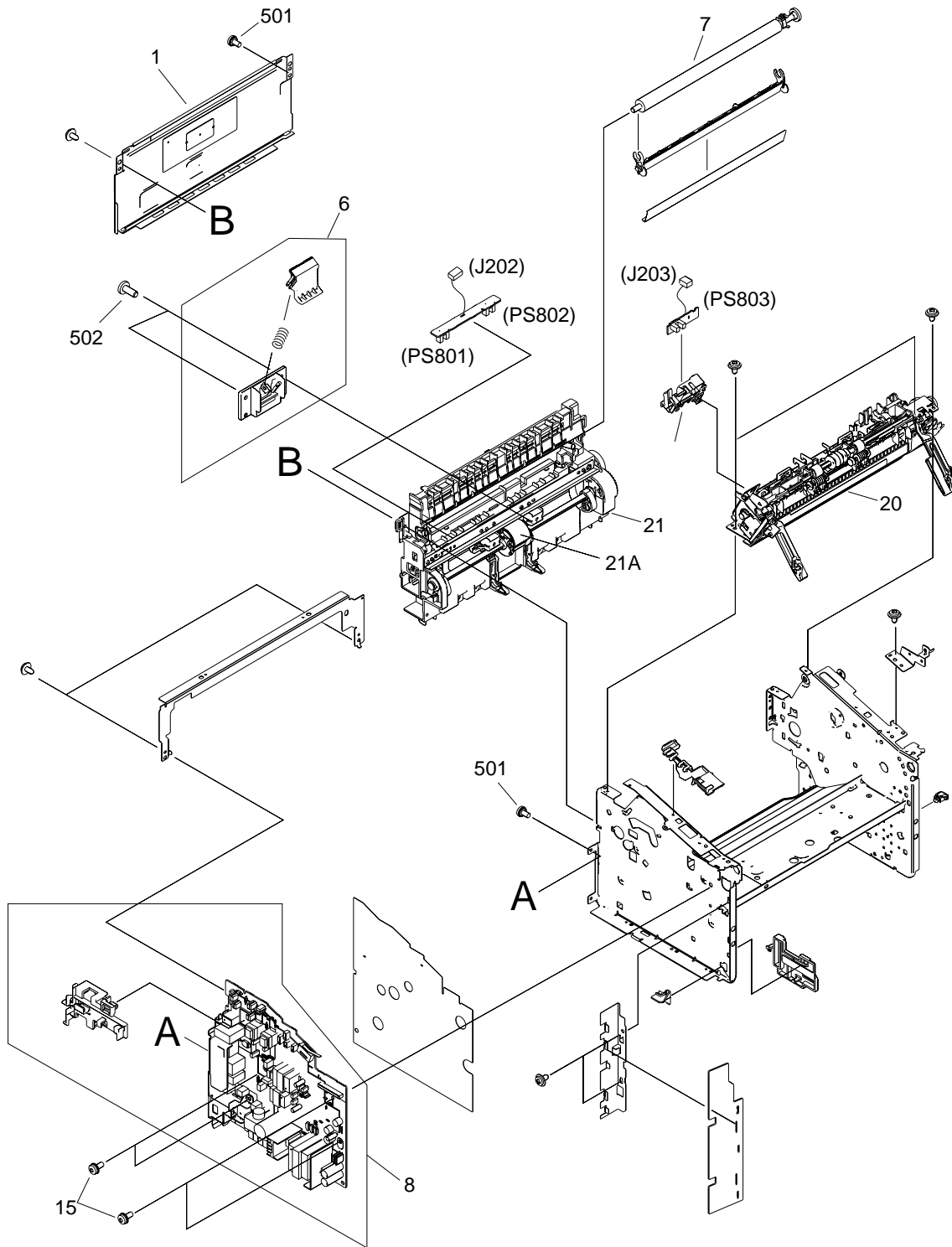


Figure 7-20 Internal components, printer (product base) (1 of 3)

Table 7-18 Internal components, printer (product base) (1 of 3)

Ref	Description	Part number	Qty
1	Panel, rear	RC1-8368-000CN	1
6	Separation-pad assembly, printer	RM1-2048-000CN	1
7	Transfer-roller assembly	RM1-2062-000CN	1
8	Power-supply assembly, 110-127 V	RM1-3402-000CN	1
8	Power-supply assembly, 220-240 V	RM1-3403-000CN	1
15	Screw, rs, M3X8	XA9-1420-000CN	4
20	Fuser, 110-127V	RM1-3044-000CN	1
20	Fuser, 220-240V	RM1-3045-000CN	1
21	Pickup assembly	RM1-3043-000CN	1
21A	Roller, pickup, printer (product base)	RL1-0266-000CN	1
501	Screw, w/washer, M3X6	XB2-7300-605CN	2
502	Screw, tap, M4X10	XB4-5401-009CN	1

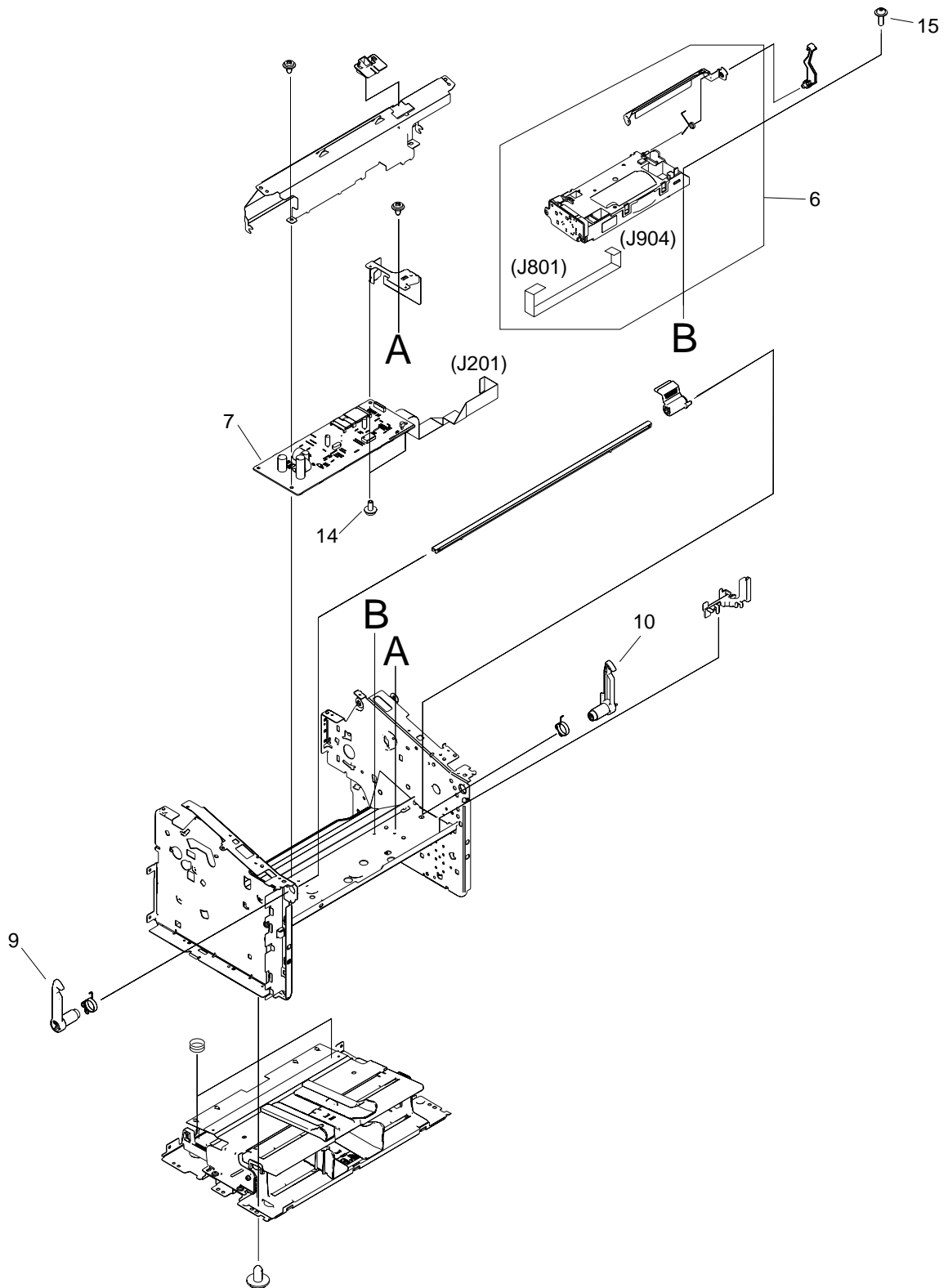


Figure 7-21 Internal components, printer (product base) (2 of 3)

Table 7-19 Internal components, printer (product base) (2 of 3)

Ref	Description	Part number	Qty
6	Laser/scanner assembly	RM1-2033-030CN	1
7	Engine-controller-PCB assembly	RM1-3404-000CN	1
8	Spring, compression	RU5-2492-000CN	2
9	Latch, left	RC1-2498-000CN	1
10	Latch, right	RC1-2499-000CN	1
14	Screw, rs, M3X8	XA9-1420-000CN	2
15	Screw, rs, M2X10	XA9-1501-000CN	4

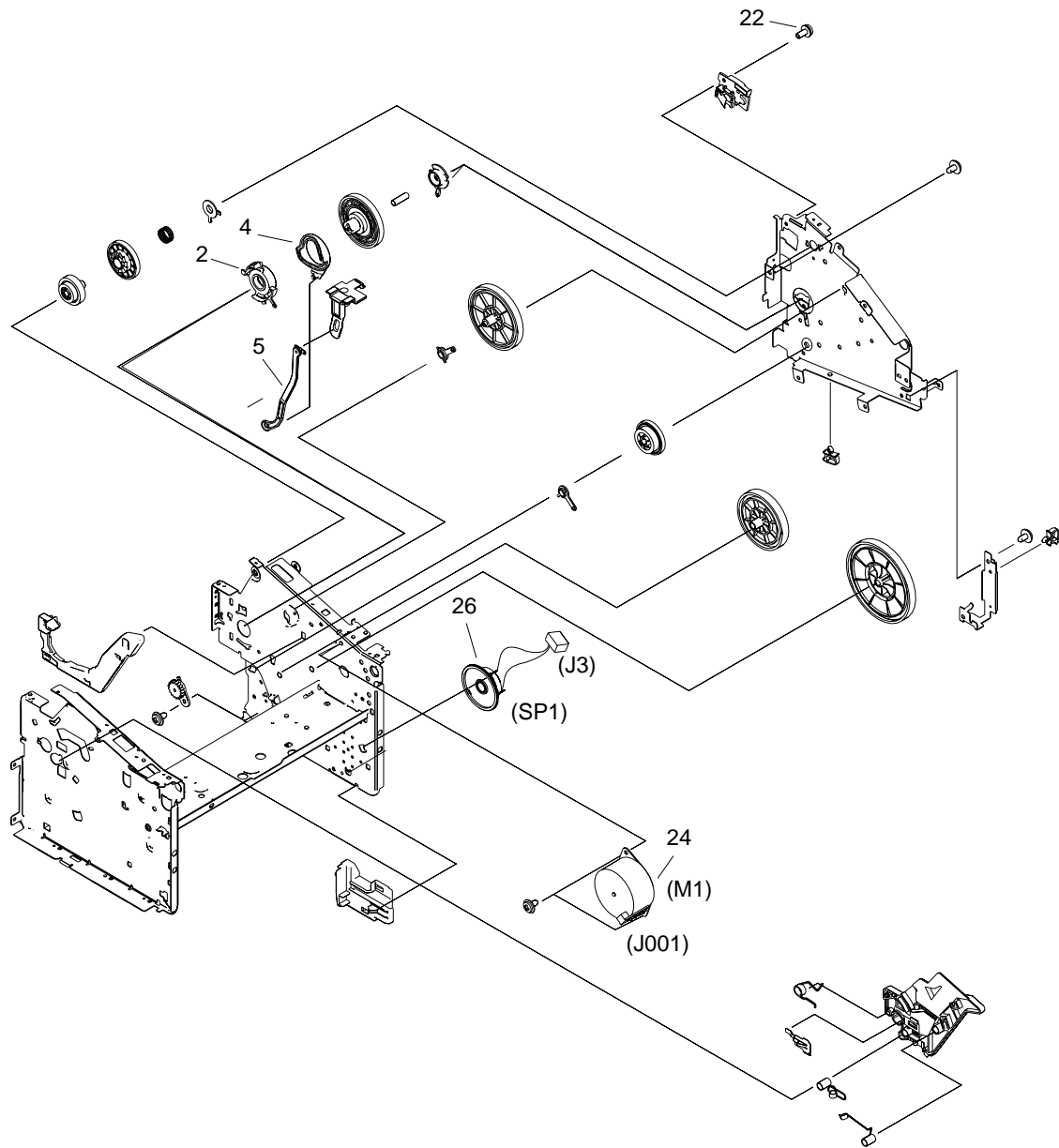


Figure 7-22 Internal components, printer (product base) (3 of 3)

Table 7-20 Internal components, printer (product base) (3 of 3)

Ref	Description	Part number	Qty
2	Bushing	RC1-1953-000CN	1
5	Link, coupling lower	RC1-2485-000CN	1
6	Link, coupling top	RC1-2494-000CN	1
22	Screw, w/washer, M3x8	XA9-1420-000CN	1
24	Motor, stepping, dc	RK2-0777-000CN	1
26	Speaker assembly	RM1-3410-000CN	1