

8 Parts and diagrams

This chapter contains the following sections.

- [Ordering parts and supplies](#)
- [Accessories](#)
- [Scanner assembly](#)
- [Formatter](#)
- [Whole unit replacement part](#)
- [Alphabetical parts list](#)
- [Numerical parts list](#)
- [Ordering parts and supplies](#)
- [Accessories](#)
- [Scanner assembly](#)
- [Formatter](#)
- [Whole unit replacement part](#)
- [Alphabetical parts list](#)
- [Numerical parts list](#)

Ordering parts and supplies

Parts that wear

The parts on the device that wear are listed in [User-replaceable parts on page 32](#) in this manual. Parts are available directly from Hewlett-Packard at the following URL: <http://partsdirect.hp.com>.

Parts

Order replacement parts from the following website: <https://partsdirect.hp.com/epdo/default/mainmenu.asp>

World-wide customer support

Order documentation and software from the websites listed in [Table 8-1 Technical support websites and related documentation on page 152](#):

Table 8-1 Technical support websites and related documentation

HP Connect Online (for HP partners)	http://www.connect-online.hp.com
HP Customer Care Call Centers Information for contacting HP call centers in specific countries/ regions.	http://www.hp.com/support/callcenters
HP Online Technical Support Software drivers, support documentation, and answers to frequently asked questions	http://www.hp.com/support
HP Technical Training (North America) Classes and schedules	http://www.compaq.com/training Note: Select your country/region in the "select a country or region" field at the top, right corner of the page.
Parts Parts information	http://partsurfer.hp.com

Accessories

The following accessories are available for the HP LaserJet M1005 MFP.

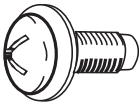
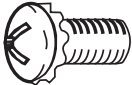
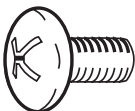
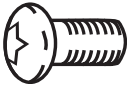
Table 8-2 Accessories

Product name	Description	Part number
Print cartridge	2,000-page cartridge	Q2612A
Toner cloth	Ideal for wiping up toner spills	5090-3379
Scanner hinge tool	Use this tool to keep the scanner assembly from falling off of the printer when the entire assembly is being removed.	5185-7441
USB cable	2-meter (6.6-foot) USB cable	8121-0539
USB cable	0.6-meter (2-foot) USB cable	8121-0549
Power cord 1.8-meter (6 feet)	U.S./Canada	8120-8382
Power cord 1.8-meter (6 feet)	Europe	8121-0516
Power cord 1.8-meter (6 feet)	UK	8121-0517
Power cord 1.8-meter (6 feet)	Danish	8121-0518
Power cord 1.8-meter (6 feet)	Switzerland	8121-0519
Power cord 1.8-meter (6 feet)	South America	8121-0520
Power cord 1.8-meter (6 feet)	Israel	8121-0521

Common hardware

The device has four common fasteners. See [Table 8-3 Common fasteners on page 153](#) for a description of these screw types.

Table 8-3 Common fasteners

Example	Description
	Screw, machine, truss head
	Screw, star
	Screw, self-tapping
	Screw, torx

How to use the parts lists and diagrams

The figures in this chapter illustrate the major subassemblies in the device and their component parts. A table (material list) follows each detailed assembly diagram. Each table lists the reference designator, the associated part number for the item, and a description of the part.

Parts that have no reference designator or part number are not field-replaceable units (FRUs) and cannot be ordered.

While looking for a part number, pay careful attention to the voltage listed in the description column to make sure that the part number selected is for the correct product model.

Scanner assembly

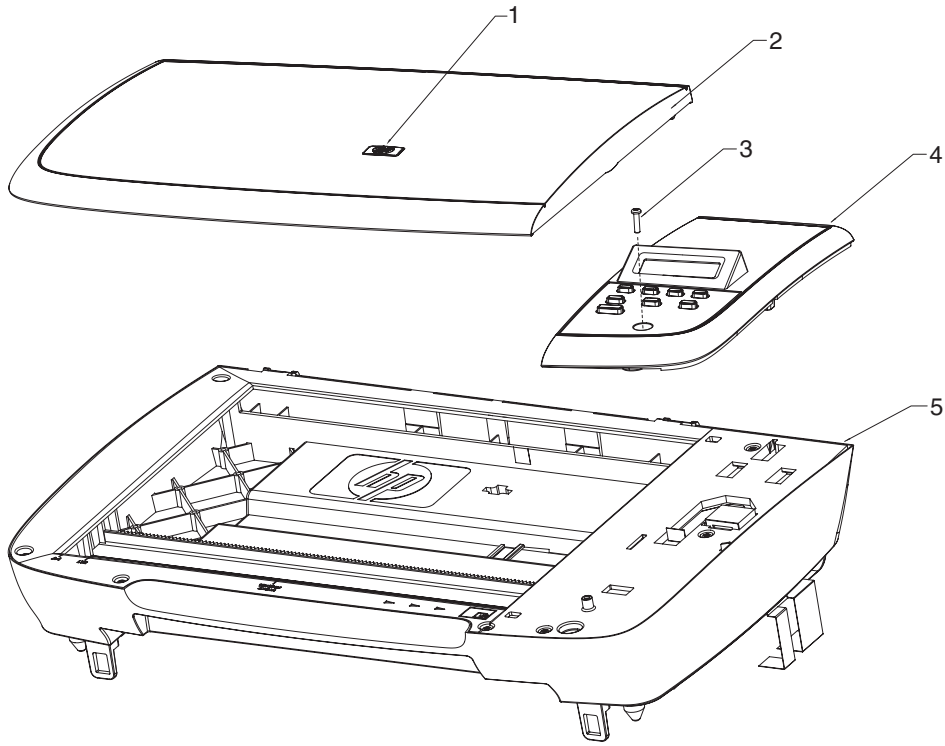


Figure 8-1 Scanner assembly

Table 8-4 Scanner assembly

Ref	Description	Part number	Qty
1	HP jewel	7121-8285	1
2	Scanner lid	CB376-60105	1
3	Screw	0515-4671	1
4	Control panel	CB376-60101	1
5	LJM1005 scanner assembly	CB376-67901	1
Not Shown	Control-panel overlay; English	CB376-00001	1
Not Shown	Control-panel overlay; French	CB376-00002	1
Not Shown	Control-panel overlay; German	CB376-00003	1
Not Shown	Control-panel overlay; Italian	CB376-00004	1
Not Shown	Control-panel overlay; Spanish	CB376-00005	1
Not Shown	Control-panel overlay; Danish	CB376-00006	1
Not Shown	Control-panel overlay; Dutch	CB376-00007	1
Not Shown	Control-panel overlay; Finnish	CB376-00008	1
Not Shown	Control-panel overlay; Norwegian	CB376-00009	1
Not Shown	Control-panel overlay; Portuguese	CB376-00010	1
Not Shown	Control-panel overlay; Swedish	CB376-00011	1
Not Shown	Control-panel overlay; Czech	CB376-00012	1
Not Shown	Control-panel overlay; Hungarian	CB376-00013	1
Not Shown	Control-panel overlay; Polish	CB376-00014	1
Not Shown	Control-panel overlay; Russian	CB376-00015	1
Not Shown	Control-panel overlay; Slovak	CB376-00016	1
Not Shown	Control-panel overlay; Turkish	CB376-00017	1
Not Shown	Control-panel overlay; Arabic	CB376-00018	1
Not Shown	Control-panel overlay; Greek	CB376-00019	1
Not Shown	Control-panel overlay; Hebrew	CB376-00020	1
Not Shown	Control-panel overlay; Korean	CB376-00021	1
Not Shown	Control-panel overlay; Simplified Chinese	CB376-00022	1
Not Shown	Control-panel overlay; Traditional Chinese	CB376-00023	1
Not Shown	Control-panel overlay; Thai	CB376-00024	1
Not Shown	Control-panel overlay; Vietnamese	CB376-00025	1

Formatter

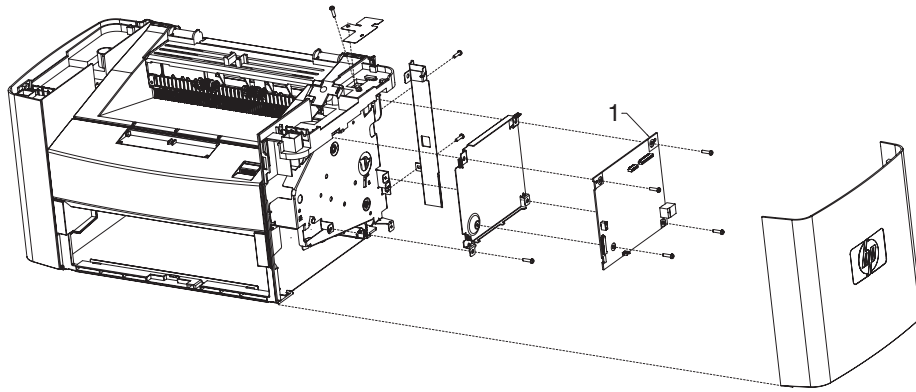


Figure 8-2 Formatter

Table 8-5 Formatter

Ref	Description	Part number	Qty
1	Formatter	CB397-60001	1

Whole unit replacement part

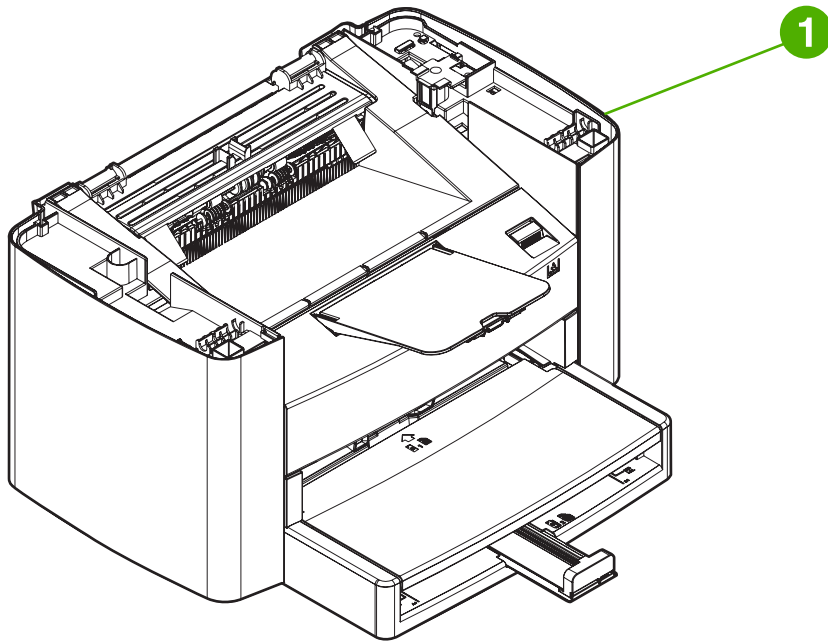


Figure 8-3 Whole unit replacement part

Table 8-6 Whole unit replacement part

Ref	Description	Part number	Qty
1	HP LaserJet M1005 MFP, replacement 110 V	CB376-67001	1
1	HP LaserJet M1005 MFP, replacement 220 V	CB376-67002	1
1	HP LaserJet M1005 MFP, refurbished 110 V	CB376-69001	1
1	HP LaserJet M1005 MFP, refurbished 220 V	CB376-69002	1
1	HP LaserJet M1005 MFP (complete unit), replacement 110 V	CB376-67056	1
1	HP LaserJet M1005 MFP (complete unit), replacement 220 V	CB376-67055	1
1	HP LaserJet M1005 MFP (complete unit), refurbished 110 V	CB376-69056	1
1	HP LaserJet M1005 MFP (complete unit), refurbished 220 V	CB376-69055	1
1	Print cartridge	Q2612-67901	1

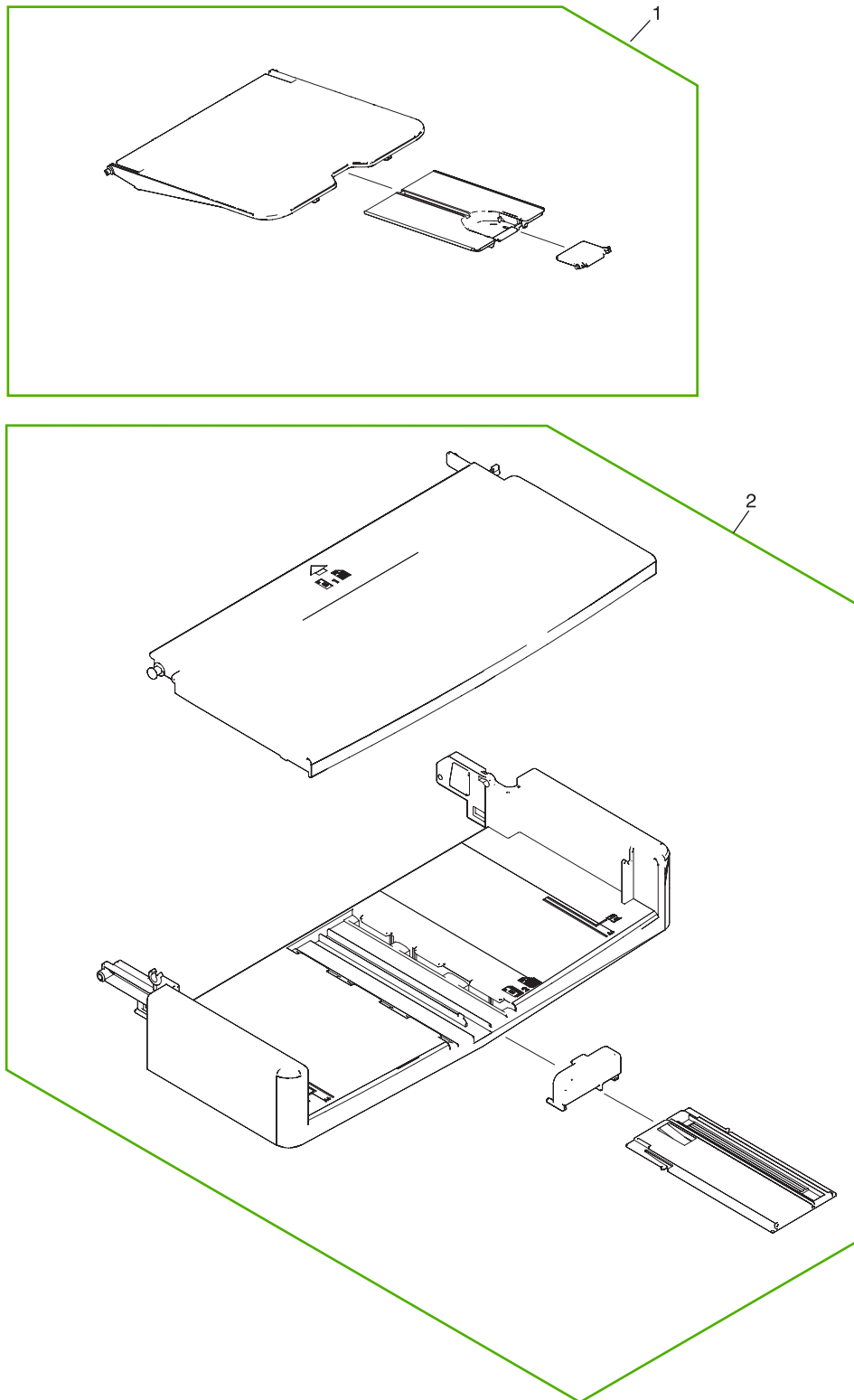


Figure 8-4 Pickup- and delivery-tray assemblies

Table 8-7 Pickup- and delivery- tray assemblies

Ref	Description	Part number	Qty
1	Delivery-tray assembly (device output bin)	RM1-0859-000CN	1
2	Pickup-tray assembly	RM1-4305-000CN	1

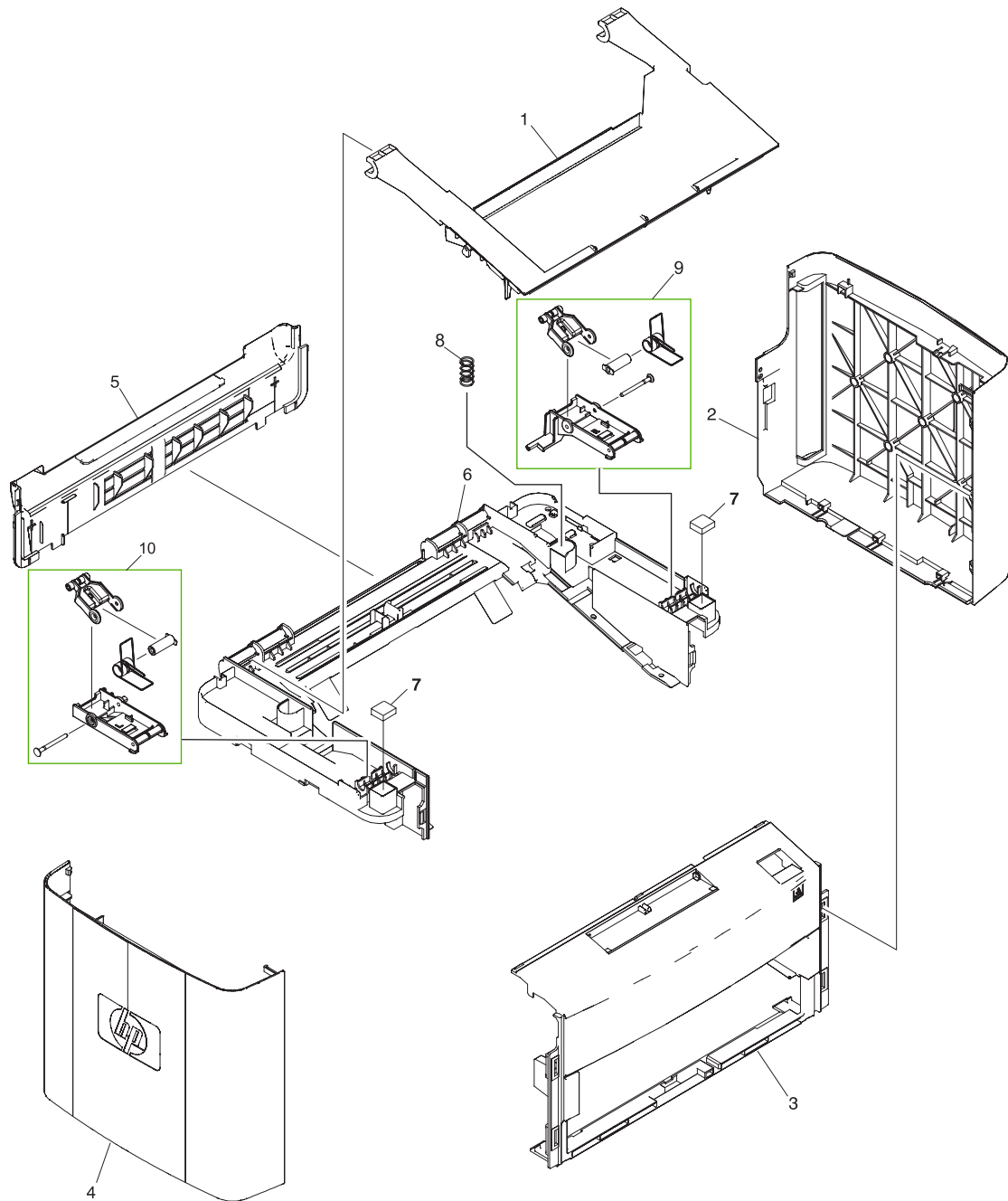


Figure 8-5 External covers

Table 8-8 External covers

Ref	Description	Part number	Qty
1	Door, print cartridge	RC2-1027-000CN	1
2	Cover, right	RC2-1026-000CN	1
3	Cover, front	RL1-1430-000CN	1
4	Cover, left	RC2-1025-000CN	1
5	Cover, rear	RC1-2474-020CN	1
6	Cover, top (scanner support frame), printer	RL1-1431-000CN	1
7	Scanner cushion	RC1-2476-000CN	1
8	Scanner spring, tension	RU5-2885-000CN	1
9	Scanner-link assembly, right	RM1-3954-000CN	1
10	Scanner-link assembly, left	RM1-3953-000CN	1

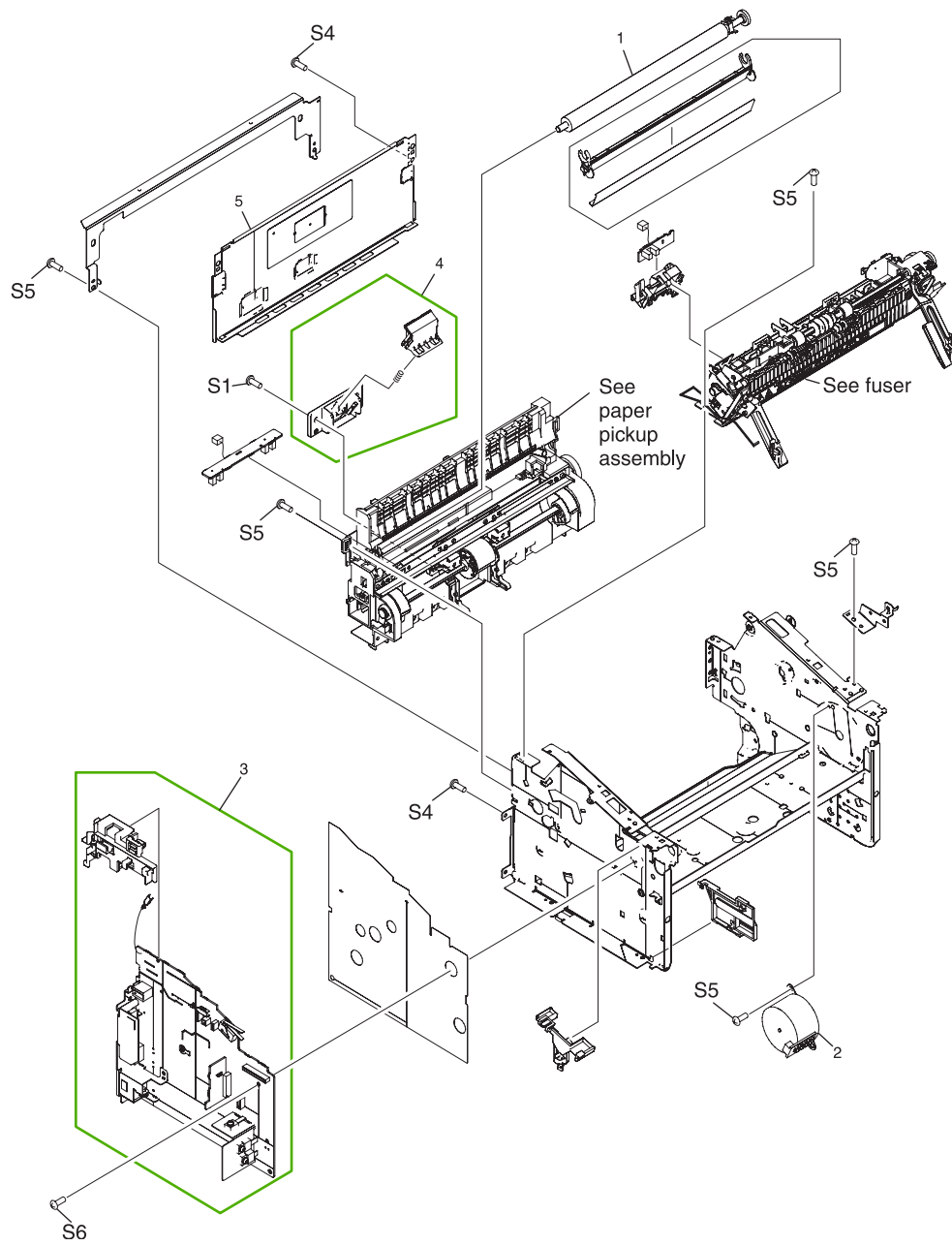


Figure 8-6 Internal components (1 of 3)

Table 8-9 Internal components (1 of 3)

Ref	Description	Part number	Qty
1	Transfer-roller assembly	RM1-2083-000CN	1
2	Motor, stepping	RK2-0799-000CN	1
3	Power-supply assembly, 110-127 V	RM1-3941-000CN	1
3	Power-supply assembly, 220-240 V	RM1-3942-000CN	1
4	Separation-pad assembly, printer	RL1-0648-000CN	1
5	Panel, rear	RC1-1985-000CN	1
S1	Screw, tap M4X10	XB4-5401-009CN	1
S4	Screw, with washer M3X6	XB2-7300-605CN	2
S5	Screw, rs M3X6	XA9-1495-000CN	5
S6	Screw, rs M3X8	XA9-1420-000CN	1

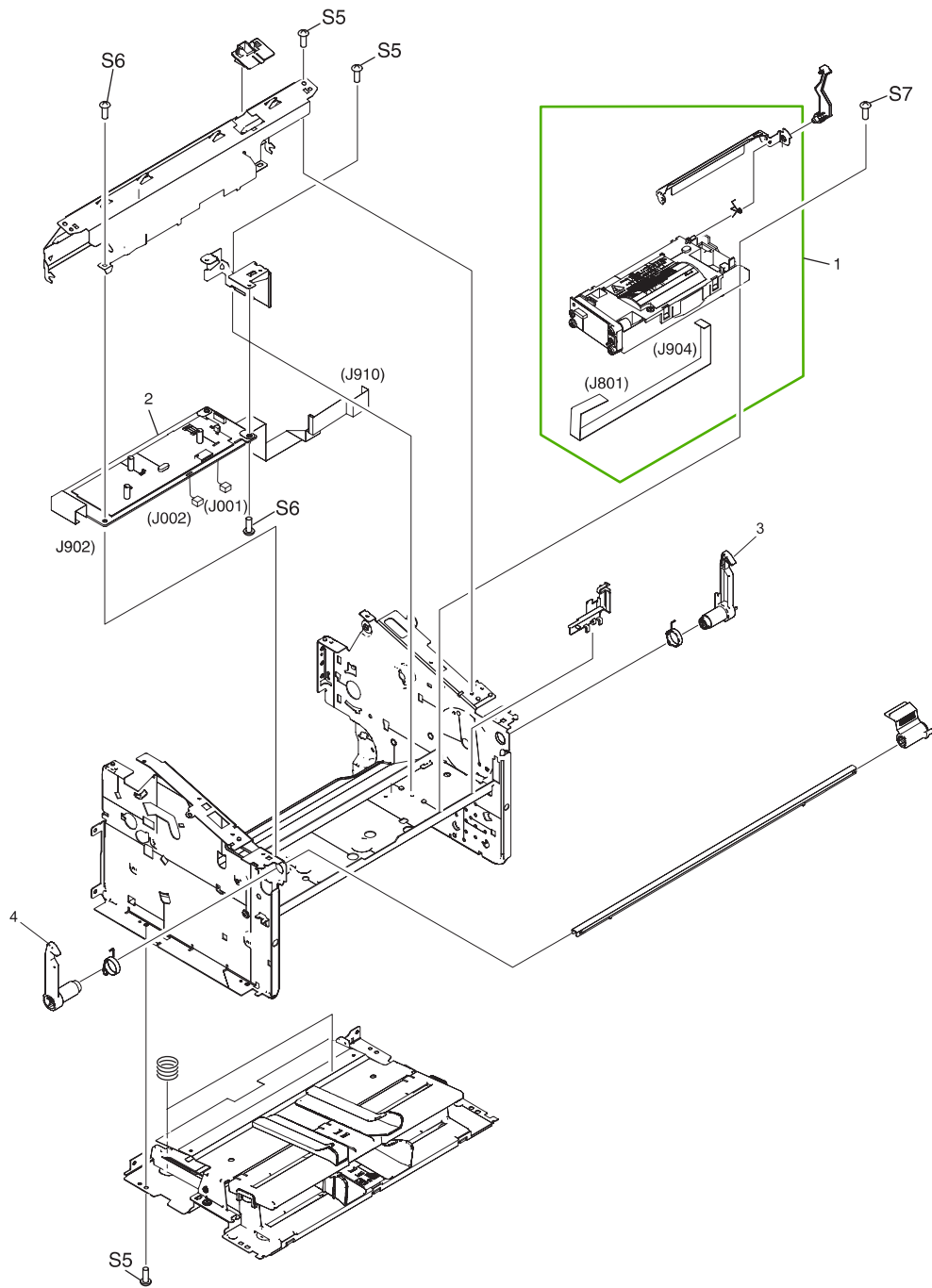


Figure 8-7 Internal components (2 of 3)

Table 8-10 Internal components (2 of 3)

Ref	Description	Part number	Qty
1	Laser-scanner assembly	RM1-2084-000CN	1
2	Engine-controller-PCB assembly (ECU)	RM1-3943-000CN	1
3	Latch, right	RC1-2499-000CN	1
4	Latch, left	RC1-2498-000CN	1
S5	Screw, rs M3X6	XA9-1495-000CN	3
S6	Screw, rs M3X8	XA9-1420-000CN	2
S7	Screw, rs M2X10	XA9-1501-000CN	1

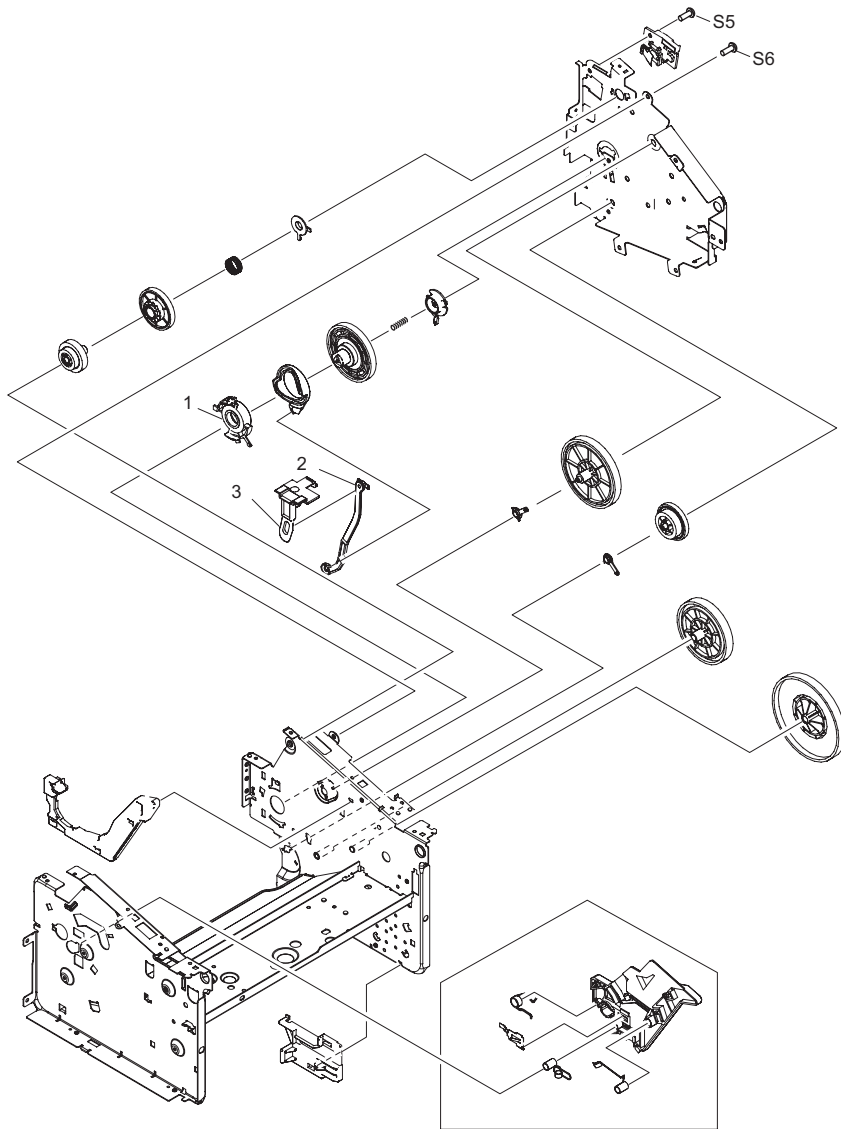


Figure 8-8 Internal components (3 of 3)

Table 8-11 Internal components (3 of 3)

Ref	Description	Part number	Qty
1	Bushing	RC1-1953-000CN	1
2	Link, coupling lower	RC1-2485-000CN	1
3	Link, coupling top	RC1-2494-000CN	1
S5	Screw, rs M3X6	XA9-1495-000CN	2
S6	Screw, rs M3X8	XA9-1420-000CN	1

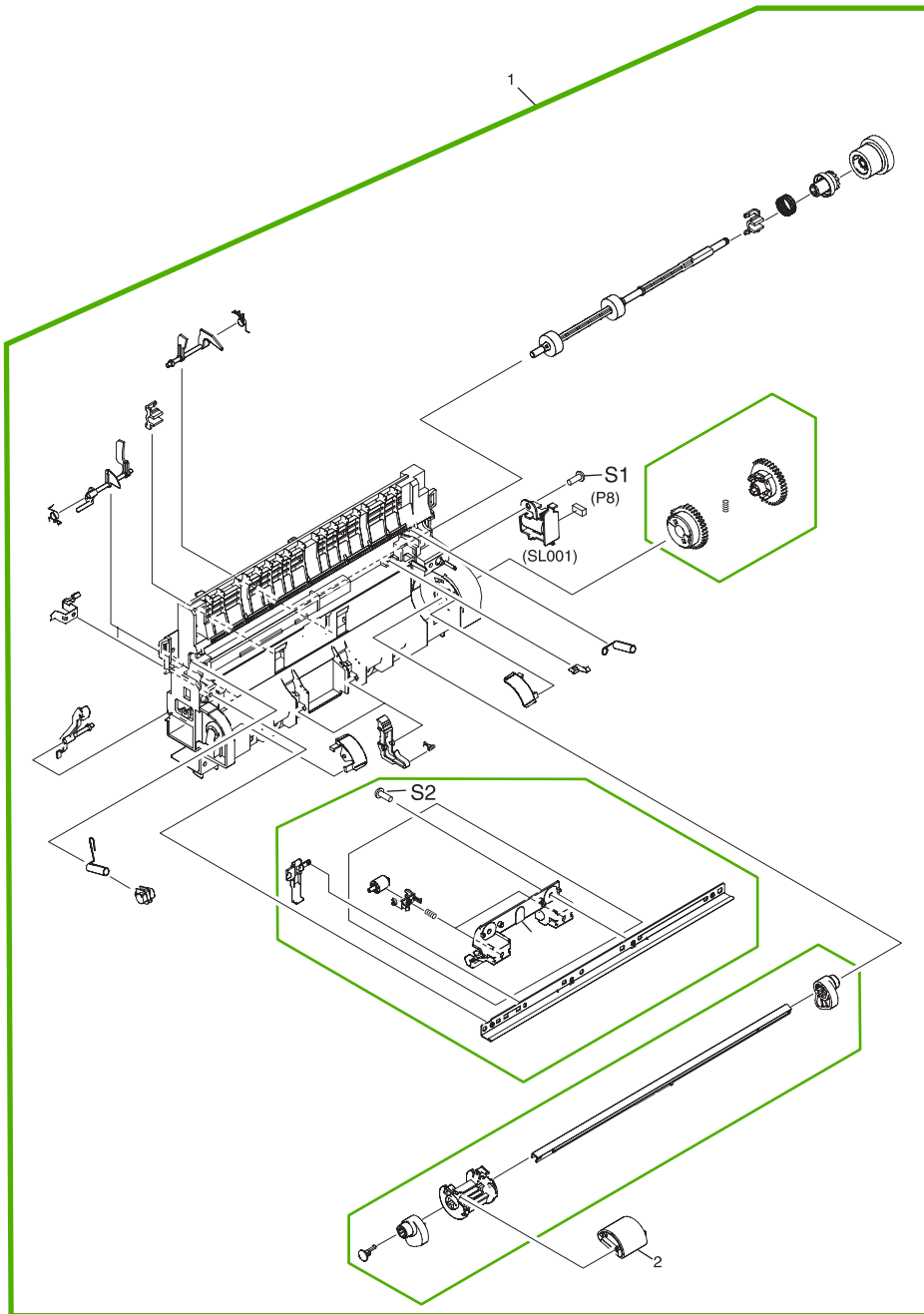


Figure 8-9 Paper-pickup assembly

Table 8-12 Paper-pickup assembly

Ref	Description	Part number	Qty
1	Paper-pickup assembly	RM1-2091-000CN	1
2	Roller, pickup	RL1-0266-000CN	1
S1	Screw, tap M4X10	XB4-5401-009CN	1
S2	Screw, tap BH3X8	XA9-1503-000CN	1

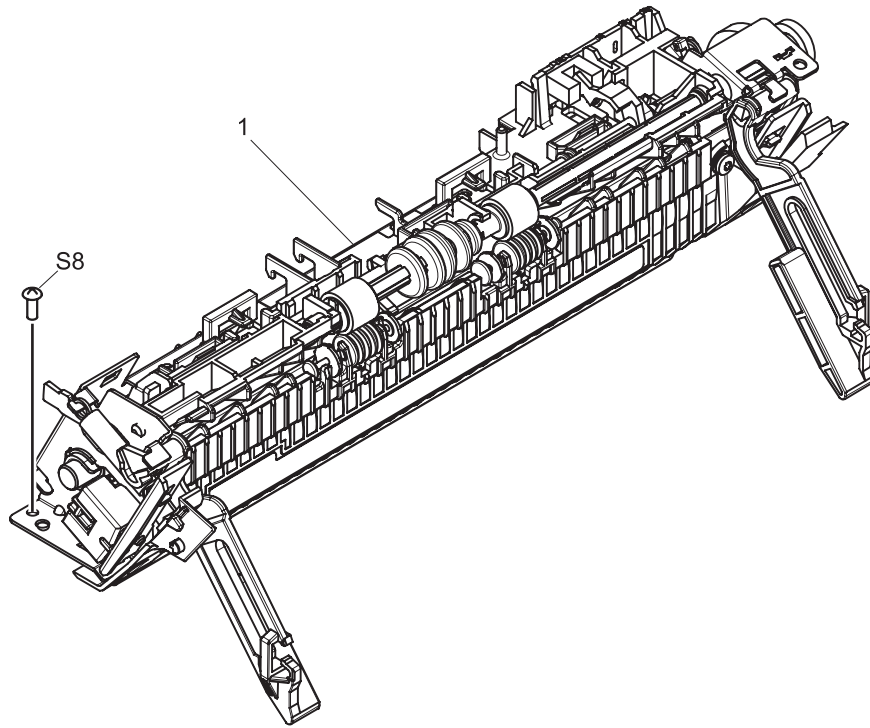


Figure 8-10 Fuser (fixing assy) assembly

Table 8-13 Fuser (fixing assy) assembly

Ref	Description	Part number	Qty
1	Fuser (fixing assy) assembly 110-127 V	RM1-3952-000CN	1
1	Fuser (fixing assy) assembly 220-240 V	RM1-3955-000CN	1
S8	Screw, with washer M3X6	XB2-8300-609CN	1