

Parts lists and diagrams

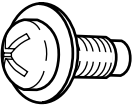



How to use the parts lists and diagrams

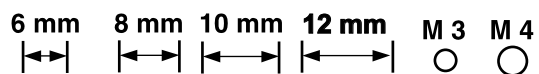
The figures in this chapter show the major subassemblies in the product and their component parts. A parts list table follows each exploded view assembly diagram. Each table lists the item number, the associated part number, and the description of each part. If a part is not listed in the table, then it is not a field replaceable unit (FRU).

△ **CAUTION:** Be sure to order the correct part. When looking for part numbers for electrical components, pay careful attention to the voltage that is listed in the description column to ensure that the part number selected is for the correct product model.

📄 **NOTE:** In this manual, the abbreviation “PCA” stands for “printed circuit board assembly.” Components described as a PCA might consist of a single circuit board or a circuit board plus other parts, such as cables and sensors.

Types of screws

Illustration	Description	Size	Part number	Use
	Screw, RS	M3X6	XB2-8300-609CN	Used to secure plastic to metal
		M3X8	XA9-1504-000CN	
		M3X10	XA9-1501-000CN	
	Screw, D	M3X6	XA9-1670-000CN	Used to secure plastic to metal
	Screw w/washer	M3X6	XB2-7300-605CN	Used to secure metal components to metal components
		M3X8	XA9-1420-000CN	
	Screw tapping	M4X10	XB4-5401-009CN	Used to secure anything to plastic



ADF and scanner assemblies

Figure 7-1 Scanner and ADF assemblies

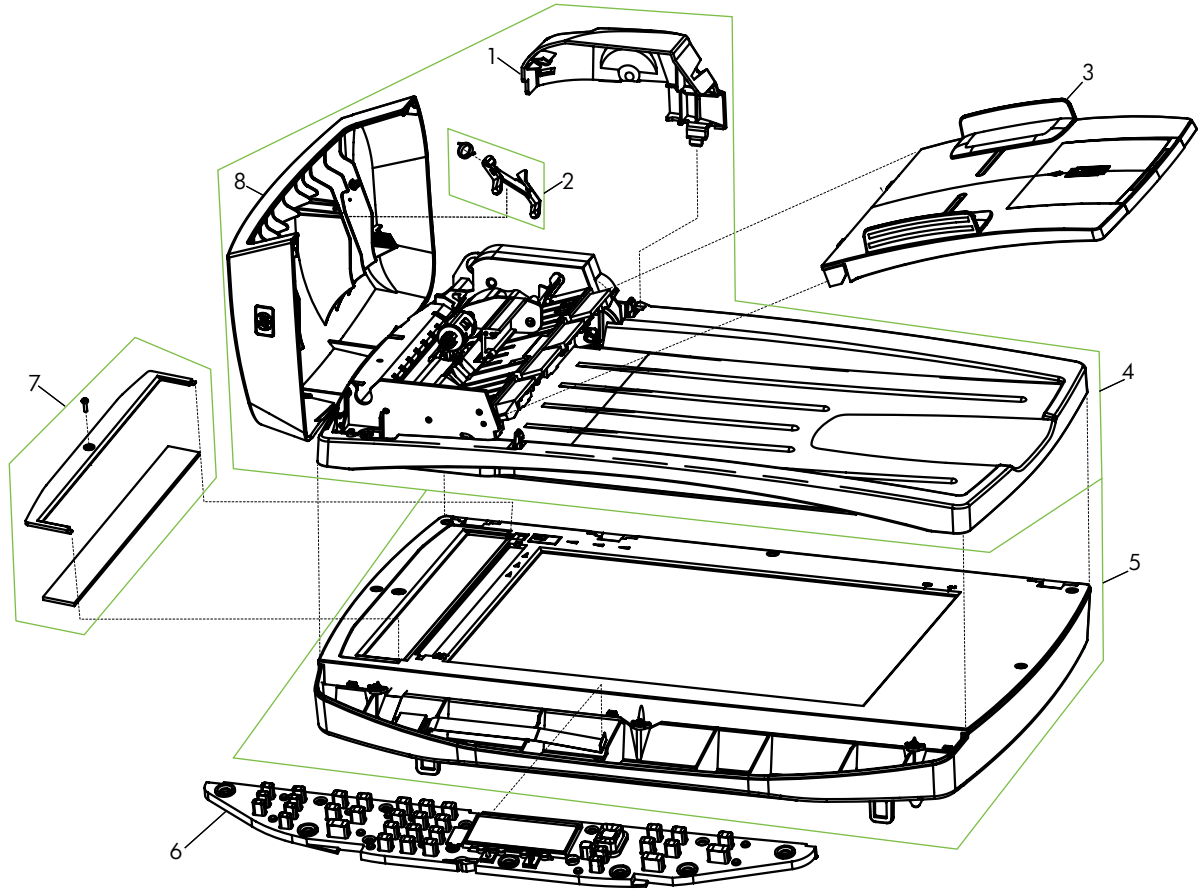



Table 7-6 Scanner and ADF assemblies

Ref	Description	Part number	Qty
1	ADF motor shield	CB534-40037	1
2	ADF flag replacement kit, ADF	Q3948-67902	1
3	ADF input tray assembly	CB534-60112	1
4	ADF PKG FGI ASSY LJm1522 (automatic document feeder)	CB534-67901	1
5	SSA PKG FGI ASSY LJm1522 (scanner flatbed assembly)	CB534-67903	1
6	Control panel assembly, LJm1522 copy (Western)	CB372-60101	1
6	Control panel assembly, LJm1522 fax (Western)	CB534-60101	1
6	Control panel assembly, LJm1522 fax (Asian)	CB534-60102	1
7	ADF Window replacement kit	CB534-67906	1
8	ADF cover replacement kit	CB534-67907	1
Not shown	Control panel jewel, HP	7121-8285	1

 **NOTE:** The Asian character control panel display PCA (see [Assemblies on page 222](#)) must be installed on the formatter to support the Asian fax control panel (CB534-60102).

ADF internal components

Figure 7-2 ADF internal components

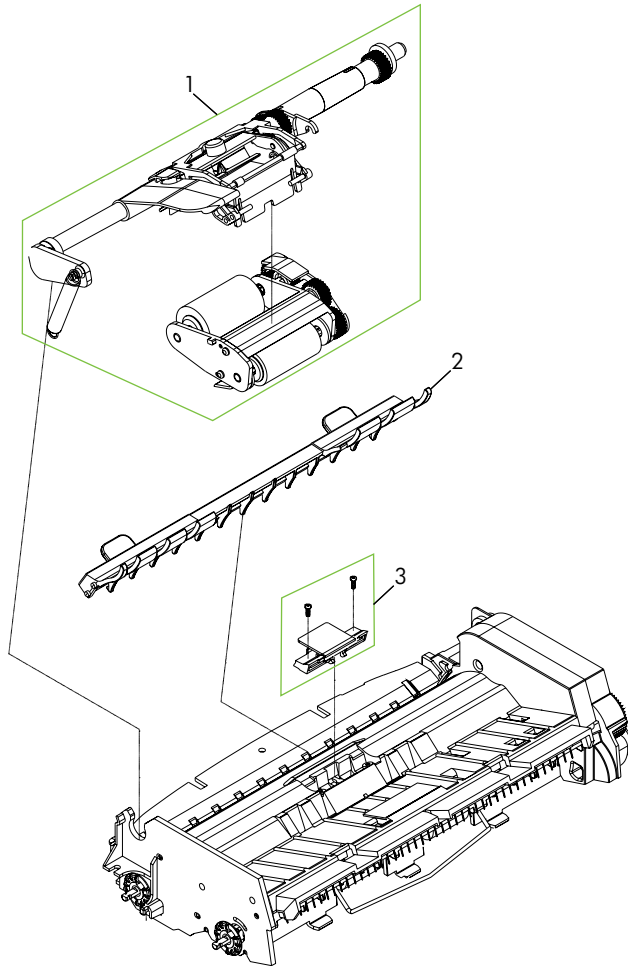


Table 7-7 ADF internal components

Ref	Description	Part number	Qty
1	ADF pickup roller assembly	5851-2559	1
2	ADF cleanout part	5851-2559	1
3	ADF separation pad	Q2665-60125	1

Assemblies

Figure 7-3 Assemblies

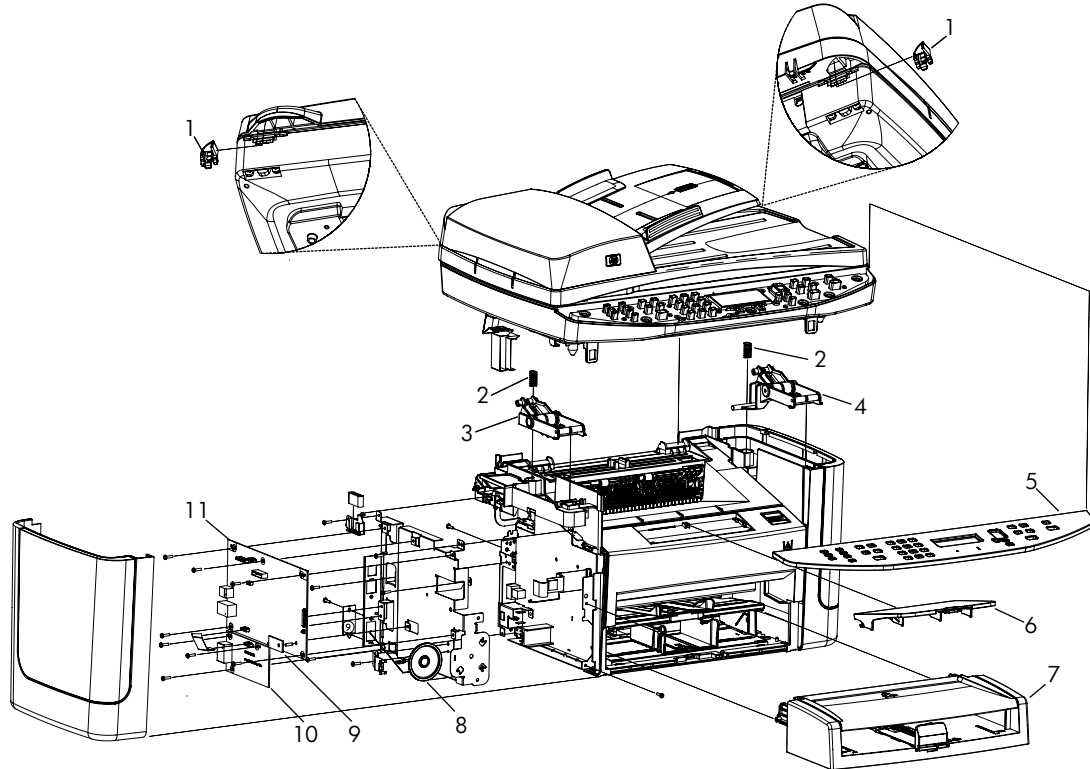


Table 7-8 Assemblies

Ref	Description	Part number	Qty
1	ADF solar lock (clip)	Q1636-40036	2
2	Scanner spring, compression	RU5-2885-000CN	2
3	Scanner link assembly, left	RM1-0898-000CN	1
4	Scanner link assembly, right	RM1-0899-000CN	1
5	Control panel bezel, Western fax	See Control-panel bezels on page 211 .	1
5	Control panel bezel, Asian fax	See Control-panel bezels on page 211 .	1
6	Paper delivery tray assembly	RM1-4725-000CN	1
7	Paper pickup tray assembly	RM1-4722-000CN	1
8	Speaker	Q3948-60113	1
9	PCA, Asian character display control panel (with spacer)	CB532-67904	1
10	Fax card US/WW	CC502-60001	1
10	Fax card EMEA	CC396-60001	1
11	Formatter, copy (HP LaserJet M1522n)	CC396-60001	1
11	Formatter, fax (HP LaserJet M1522nf)	CC368-60001	1

External covers and panels

Figure 7-4 External covers and panels

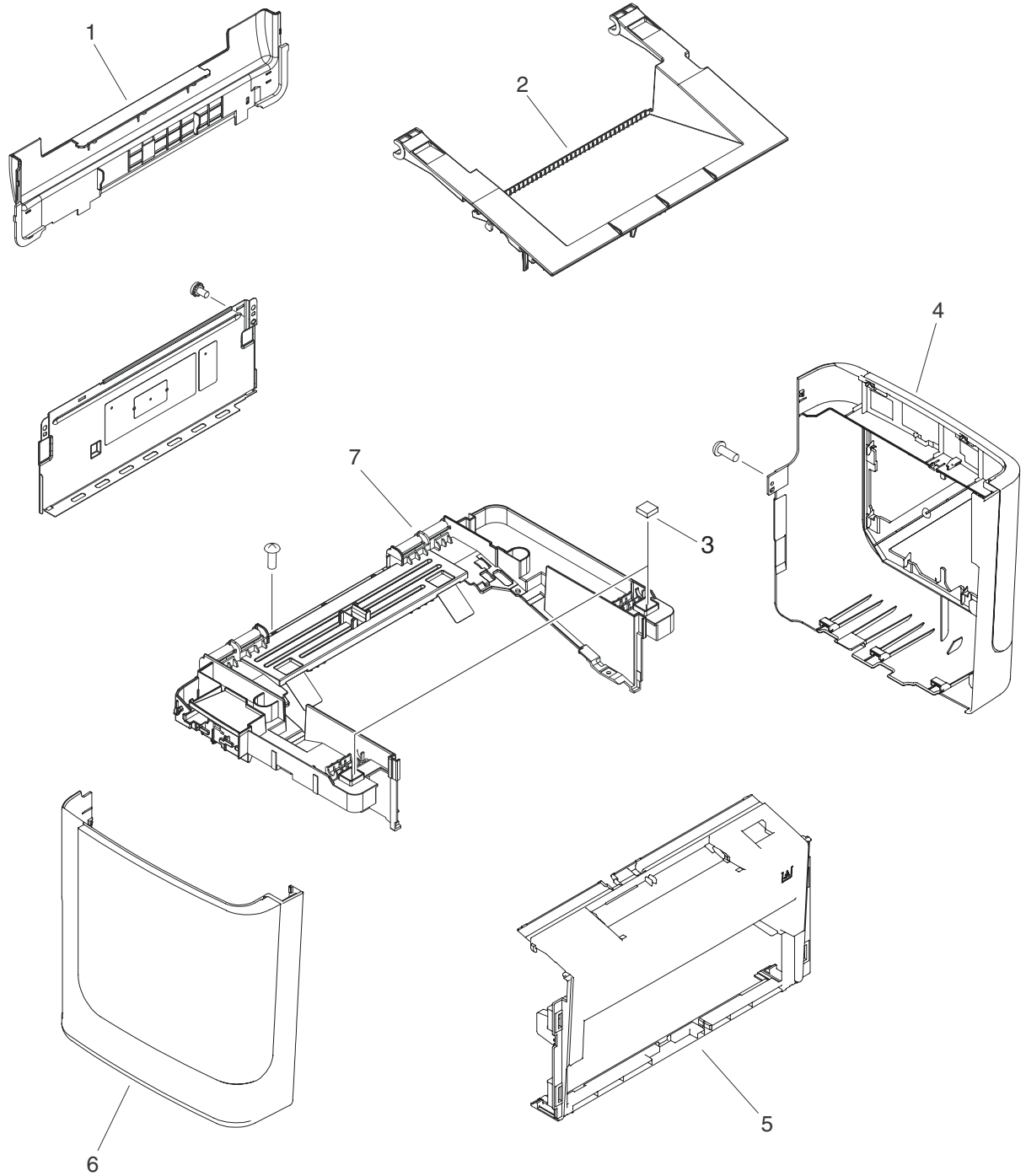


Table 7-9 External covers and panels

Ref	Description	Part number	Qty
1	Cover, rear	RC2-2971-000CN	1
2	Cover, cartridge	RC2-2960-000CN	1
3	Cushion, scanner	RC1-2476-000CN	2
4	Cover, right	RL1-1736-000CN	1
5	Cover, front	RL1-1734-000CN	1
6	Cover, left	RL1-1735-000CN	1
7	Cover, top	RL1-1732-000CN	1

Internal components (1 of 3)

Figure 7-5 Internal components (1 of 3)

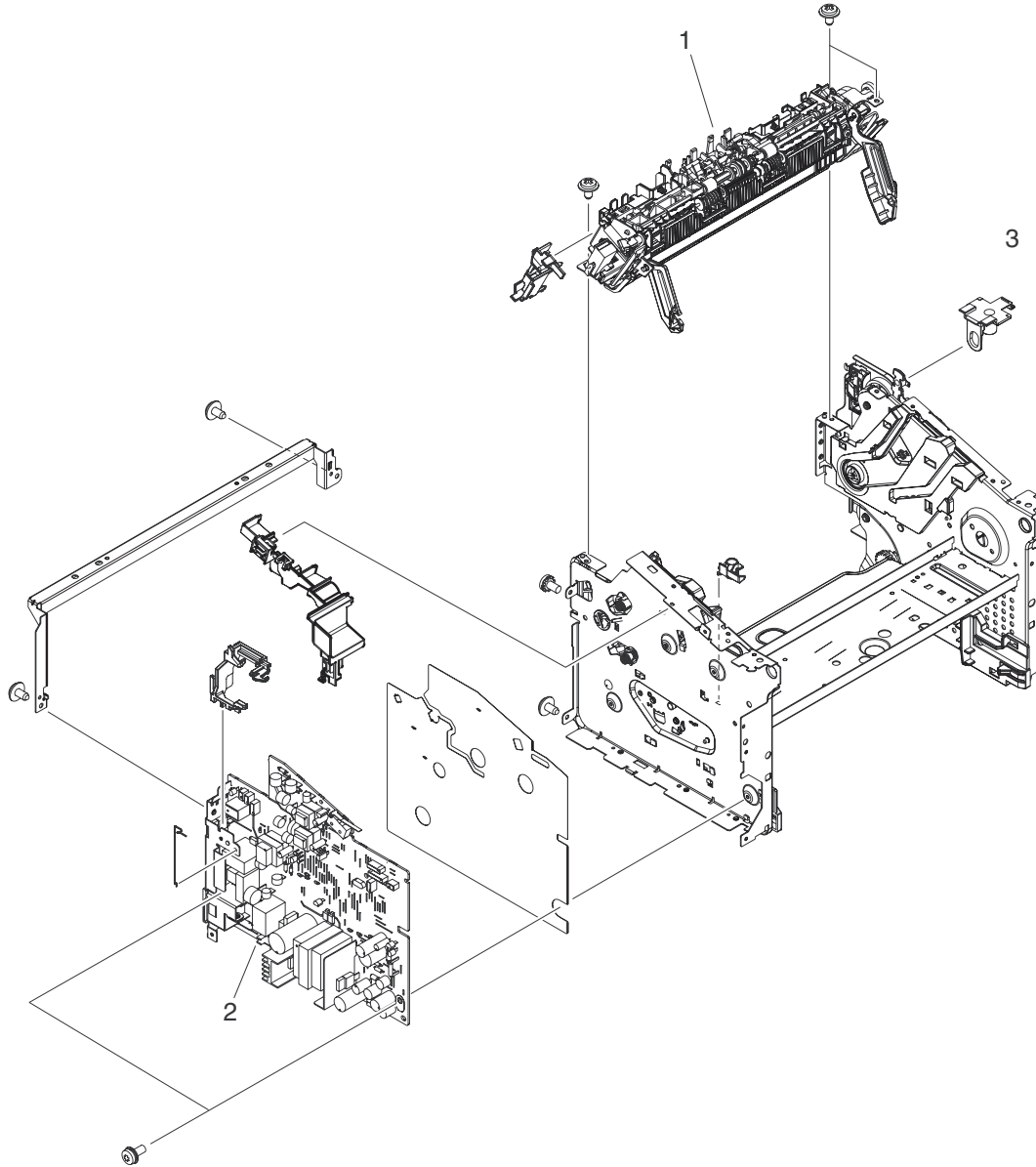


Table 7-10 Internal components (1 of 3)

Ref	Description	Part number	Qty
1	Fuser assembly, 110v-220v	RM1-4721-000CN	1
1	Fuser assembly, 220v-240v	RM1-4726-000CN	1
2	Engine controller PCA (ECU), 110v-220v	RM1-4932-000CN	1
2	Engine controller PCA (ECU), 220v-240v	RM1-4936-000CN	1
3	Link, coupling	RC2-2695-000CN	1

Internal components (2 of 3)

Figure 7-6 Internal components (2 of 3)

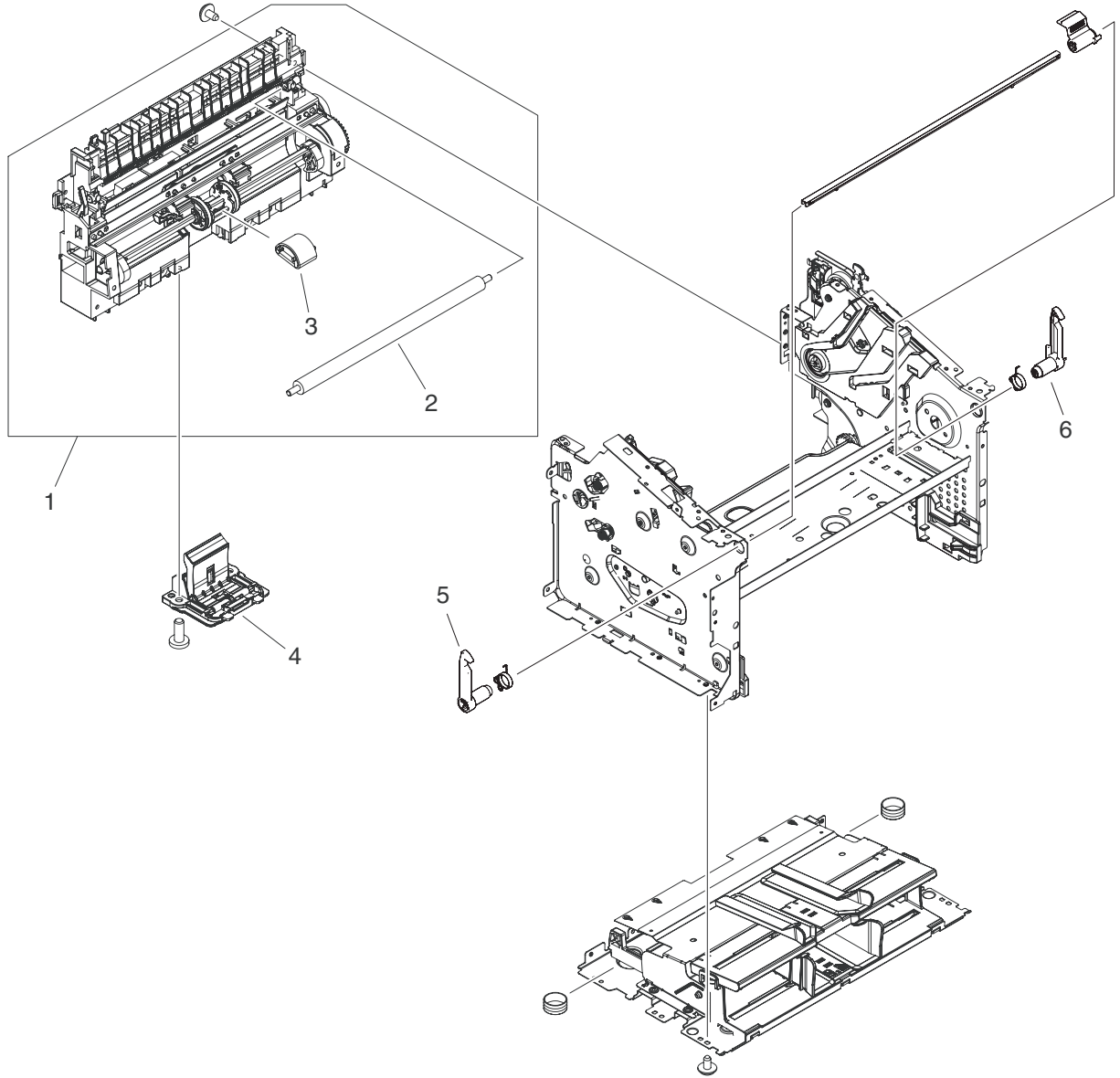


Table 7-11 Internal components (2 of 3)

Ref	Description	Part number	Qty
1	Paper pickup assembly	RM1-4727-000CN	1
2	Roller, transfer	RM1-4234-000CN	1
3	Roller, pickup	RL1-1497-000CN	1
4	Separation pad assembly	RM1-4207-000CN	1
5	Latch, left	RC1-2498-000CN	1
6	Latch, right	RC1-2499-000CN	1

Internal components (3 of 3)

Figure 7-7 Internal components (3 of 3)

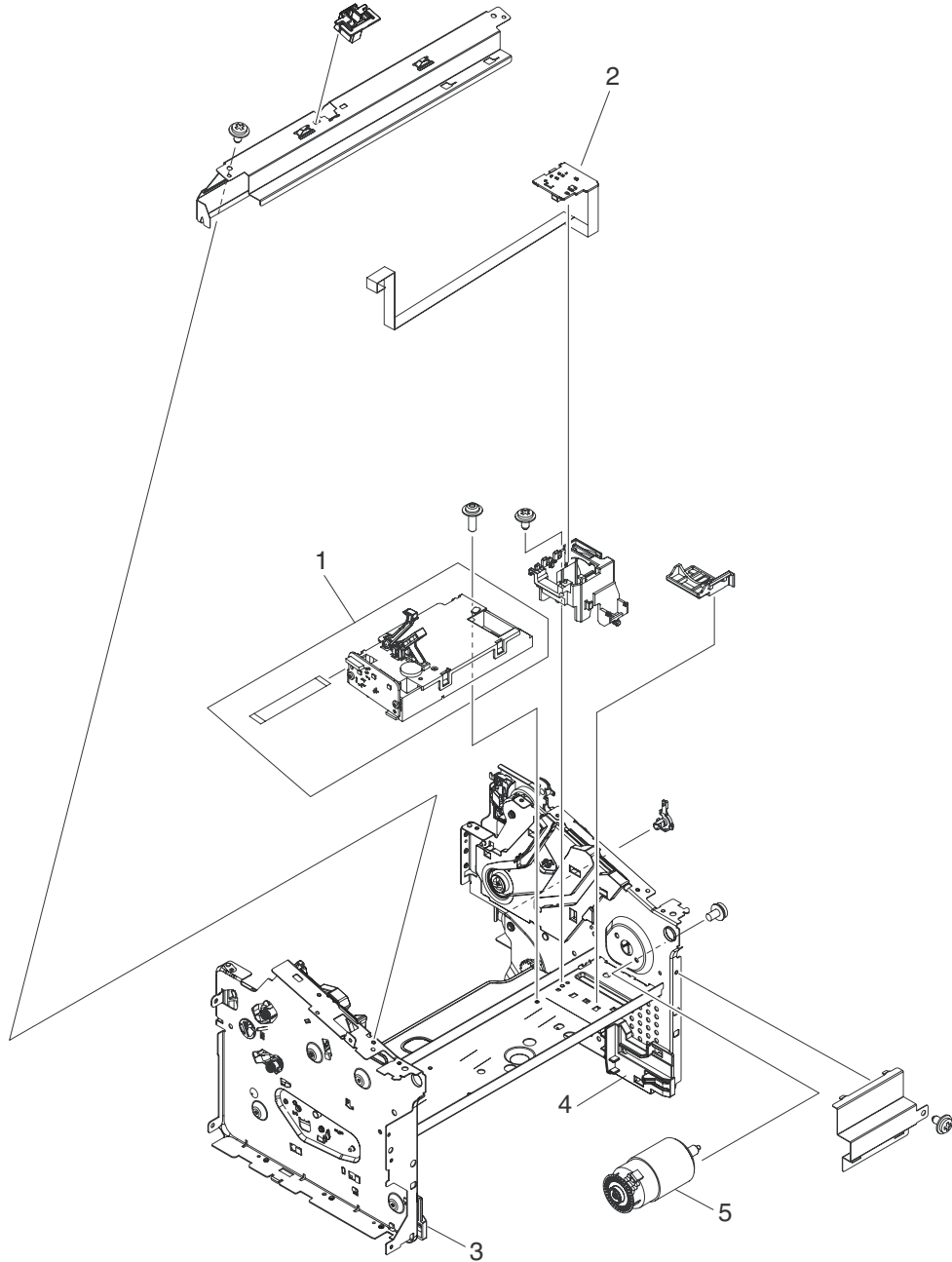


Table 7-12 Internal components (3 of 3)

Ref	Description	Part number	Qty
1	Laser/scanner assembly	RM1-4724-005CN	1
2	Motor controller PCA	RM1-4935-000CN	1
3	Tray guide, left	RC2-2979-000CN	1
4	Tray guide, right	RC2-2980-000CN	1
5	Motor, 24V DC	RM1-4196-000CN	1