

8 Parts and diagrams

This chapter contains information about the following topics:

- [Introduction](#)
- [Ordering parts and supplies](#)
- [User-replaceable parts](#)
- [Assembly locations](#)
- [External covers and panels](#)
- [Internal components](#)
- [Accessories](#)
- [Alphabetical parts list](#)
- [Numerical parts list](#)

Introduction

The figures in this chapter show the major subassemblies in the printer and their component parts. A parts list table follows each exploded assembly diagram. Each table lists the item number, the associated part number, and the description of each part.



NOTE In this manual, the abbreviation "PCB" stands for "printed circuit board." Components described as a PCB may consist of a single circuit board or a circuit board plus other parts, such as cables and sensors.

Ordering parts and supplies

Parts that wear

The parts on the product that need replacement at regular intervals are listed in [Approximate replacement intervals for supplies on page 102](#). Parts are available directly from HP at the following Web site: <http://www.hp.com/buy/parts>.


Parts

Order replacement parts from the following Web site: <http://www.hp.com/go/HPparts>.

Customer support

Product documentation and software support can be found at the Web sites listed in [Table 8-1 Technical support Web sites and related documentation on page 563](#).

Table 8-1 Technical support Web sites and related documentation

HP Connect Online (for HP partners)	Go to http://www.connect-online.hp.com
HP Customer Care Call Centers Information about contacting HP call centers in specific countries/regions.	Go to http://www.hp.com/support
HP Online Technical Support (for HP partners) Software drivers, support documentation, and answers to frequently asked questions	Go to http://www.hp.com/support
HP Technical Training (North America) Classes and schedules	Go to http://www.compaq.com/training  NOTE Select your country/region in the "select a country or region" field at the top, right corner of the page.
HP Parts Parts information	Go to http://www.partsurfer.hp.com (parts ordering) Go to http://www.hp.com/go/HPparts (parts reference guide)

Supplies and accessories

Use the following table to order supplies and accessories for the product.

Table 8-2 Supplies and accessories

Product number	Part number	Description
Accessories		
J7934A	J7934-61001	4700 models: HP Jetdirect 620n connectivity card
Q7501A		Printer cabinet/stand

Table 8-2 Supplies and accessories (continued)

Product number	Part number	Description
Q7003A	Q7003-67008	4700 models: Stapler/stacker
Q7499A	Q7499-67901	Optional 500-sheet paper feeder and tray assembly
Cables		
C2946A		4700 models: IEEE-1284 compliant parallel cable, 3 meters (approximately 10 feet) long, with 25-pin male/micro 36-pin male (c-type) connector
92215S		Macintosh DIN-8 printer cable
C6518A		2-meter USB cable
C6520A		3-meter USB cable
Media		
C2934A		HP Color LaserJet Transparencies (letter) 50 sheets
C2936A		HP Color LaserJet Transparencies (A4) 50 sheets
C4179A		HP LaserJet Soft Gloss paper (letter) 200 sheets
C4179B		HP LaserJet Soft Gloss paper (A4) 200 sheets
Q1298A		HP LaserJet Tough paper (letter)
Q1298B		HP LaserJet Tough paper (A4)
HPU1132		HP Premium Choice LaserJet paper (letter)
CHP410		HP Premium Choice LaserJet paper (A4)
HPJ1124		HP LaserJet paper (letter)
CHP310		HP LaserJet paper (A4)
Memory		
J6073A	J6073-69011	4700 models: EIO internal hard drive
	Q7495-67902	4700 models: Hard drive inside drive assembly
Q2630A	Q7721-67951	128 MB memory DDR
Q2631A	Q7722-67951	256 MB memory DDR
	Q7723-67951	512 MB memory DDR
	Q7725-67901	4700 models: Firmware Compact flash
	Q7725-67942	CP4005 models: Firmware Compact flash
Control panel labels		
	Q7491-00013	English label
	Q7491-00015	French label
	Q7491-00016	German label
	Q7491-00017	Italian label
	Q7491-00018	Spanish label

Table 8-2 Supplies and accessories (continued)

Product number	Part number	Description
	Q7491-00019	Danish label
	Q7491-00020	Dutch label
	Q7491-00021	Finnish label
	Q7491-00022	Norwegian label
	Q7491-00014	Portuguese label
	Q7491-00023	Swedish label
	Q7491-00024	Czech label
	Q7491-00025	Hungarian label
	Q7491-00026	Polish label
	Q7491-00027	Russian label
	Q7491-00028	Turkish label
	Q7491-00029	Arabic label
	Q7491-00030	Greek label
	Q7491-00031	Hebrew label
	Q7491-00032	Japanese label
	Q7491-00033	Korean label
	Q7491-00036	Thai label
	Q7491-00034	Simplified Chinese label
	Q7491-00035	Traditional Chinese label
Reference materials		
	5963-7863	<i>HP LaserJet Printer Family Paper Specifications Guide</i>
	5021-0330	PCL/PJL Technical Reference Package
	CB503-90929	HP Color LaserJet 4700/CP4005 series printer service manual (English)
Supplies		
Q5950A	Q5950-67901	4700 models: Black print cartridge
Q5951A	Q5951-67901	4700 models: Cyan print cartridge
Q5952A	Q5952-67901	4700 models: Yellow print cartridge
Q5953A	Q5953-67901	4700 models: Magenta print cartridge
CB400A	CB400-67901	CP4005 models: Black print cartridge
CB401A	CB401-67901	CP4005 models: Cyan print cartridge
CB402A	CB402-67901	CP4005 models: Yellow print cartridge
CB403A	CB403-67901	CP4005 models: Magenta print cartridge
Q7504A	RM1-3161-080CN	ETB kit

Table 8-2 Supplies and accessories (continued)

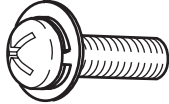

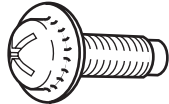

Product number	Part number	Description
Q7502A	RM1-3131-060CN	Image fuser kit (110 volt)
Q7503A	RM1-3146-060CN	Image fuser kit (220 volt)
C8091A	C8085-60541	4700 models: Staple cartridge
	Q7491-67903	3 roller kit (pickup roller, separation roller, feed roller)

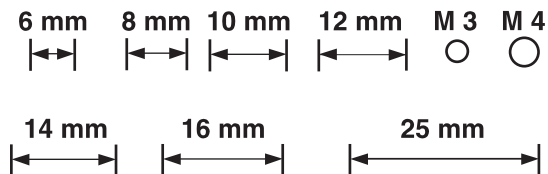


NOTE The only difference between the print cartridges listed above is that the Europe-only print cartridges have different languages on the instruction sheet inside the box.

Common fasteners

Table 8-3 Common fasteners

Illustration	Description	Size	Part number	Uses
	Screw, machine with washer	M3x6	XA9-1418-000CN	To hold plastic to metal, (example: the skins)
	Screw, self tapping	M3x6		To hold plastic to plastic
	Screw, truss head	M3x6		Sheet metal to sheet metal, (example: formatter case)
	Retaining Ring (e-type)			To hold gears into place



User-replaceable parts

The following table lists user-replaceable parts for the HP Color LaserJet 4700 series printer.

Table 8-4 User-replaceable parts

Description	Part number
Formatter assembly base (exchange)	4700 models: Q7491-67908
Formatter assembly base (new)	4700 models: Q7491-67901
Formatter 4700n, 4700dn, 4700dtn (new)	4700 models: Q7492-67902
Formatter 4700n, 4700dn, 4700dtn (exchange)	4700 models: Q7492-69002
Formatter 4700ph+ (new)	4700 models: Q7495-67903
Formatter 4700ph+ (exchange)	4700 models: Q7495-69002
Formatter CP4005n (new)	CP4005 models: CB503-67901
Formatter CP4005n (exchange)	CP4005 models: CB503-69001
Firmware compact flash	4700 models: Q7725-67901
Firmware compact flash	CP4005 models: Q7725-67942
Hard drive inside drive assembly	4700 models: Q7495-67902
EIO disk drive	4700 models: J6073-69011
HP Jetdirect card	4700 models: J7934-61001
128 MB DDR memory	Q7721-67951
256 MB DDR memory	Q7722-67951
512 MB memory	Q7723-67951
Print cartridge (black)	4700 models: Q5950-67901
Print cartridge (magenta)	4700 models: Q5953-67901
Print cartridge (yellow)	4700 models: Q5952-67901
Print cartridge (cyan)	4700 models: Q5951-67901
Black print cartridge	CP4005 models: CB400-67901
Cyan print cartridge	CP4005 models: CB401-67901
Yellow print cartridge	CP4005 models: CB402-67901
Magenta print cartridge	CP4005 models: CB403-67901
English label	Q7491-00013
French label	Q7491-00015
German label	Q7491-00016
Italian label	Q7491-00017
Spanish label	Q7491-00018
Danish label	Q7491-00019

Table 8-4 User-replaceable parts (continued)

Description	Part number
Dutch label	Q7491-00020
Finnish label	Q7491-00021
Norwegian label	Q7491-00022
Portuguese label	Q7491-00014
Swedish label	Q7491-00023
Czech label	Q7491-00024
Hungarian label	Q7491-00025
Polish label	Q7491-00026
Russian label	Q7491-00027
Turkish label	Q7491-00028
Arabic label	Q7491-00029
Greek label	Q7491-00030
Hebrew label	Q7491-00031
Japanese label	Q7491-00032
Korean label	Q7491-00033
Thai label	Q7491-00036
Simplified Chinese label	Q7491-00034
Traditional Chinese label	Q7491-00035
Fuser unit 100 V	RM1-3131-060CN
Fuser unit 200 V	RM1-3146-060CN
Duplexing tray	RC1-5043-020CN
Paper feeder/Tray assembly	Q7499-67901
Paper pickup roller assembly	RM1-0036-020CN
Paper feed roller assembly (quantity 2)	RM1-0037-020CN
Roller kit (3)	Q7491-67903
Paper tray Tray 2	RM1-1693-000CN
Optional paper tray	RM1-1764-020CN
ETB assembly	RM1-3161-080CN
Limiters, torque	RC1-3293-000CN
Stapler/stacker assembly	4700 models: Q7003-67008
Staple cartridge	4700 models: C8085-60541
Staple cartridge cover, left	4700 models: Q7003-67005
Stapler output tray	4700 models: Q7003-67006

Assembly locations

The following illustrations and parts tables list the field replaceable units (FRU) for the HP Color LaserJet 4700 series printers. At the end of this chapter are alphabetical and numerical master parts lists.

Major components

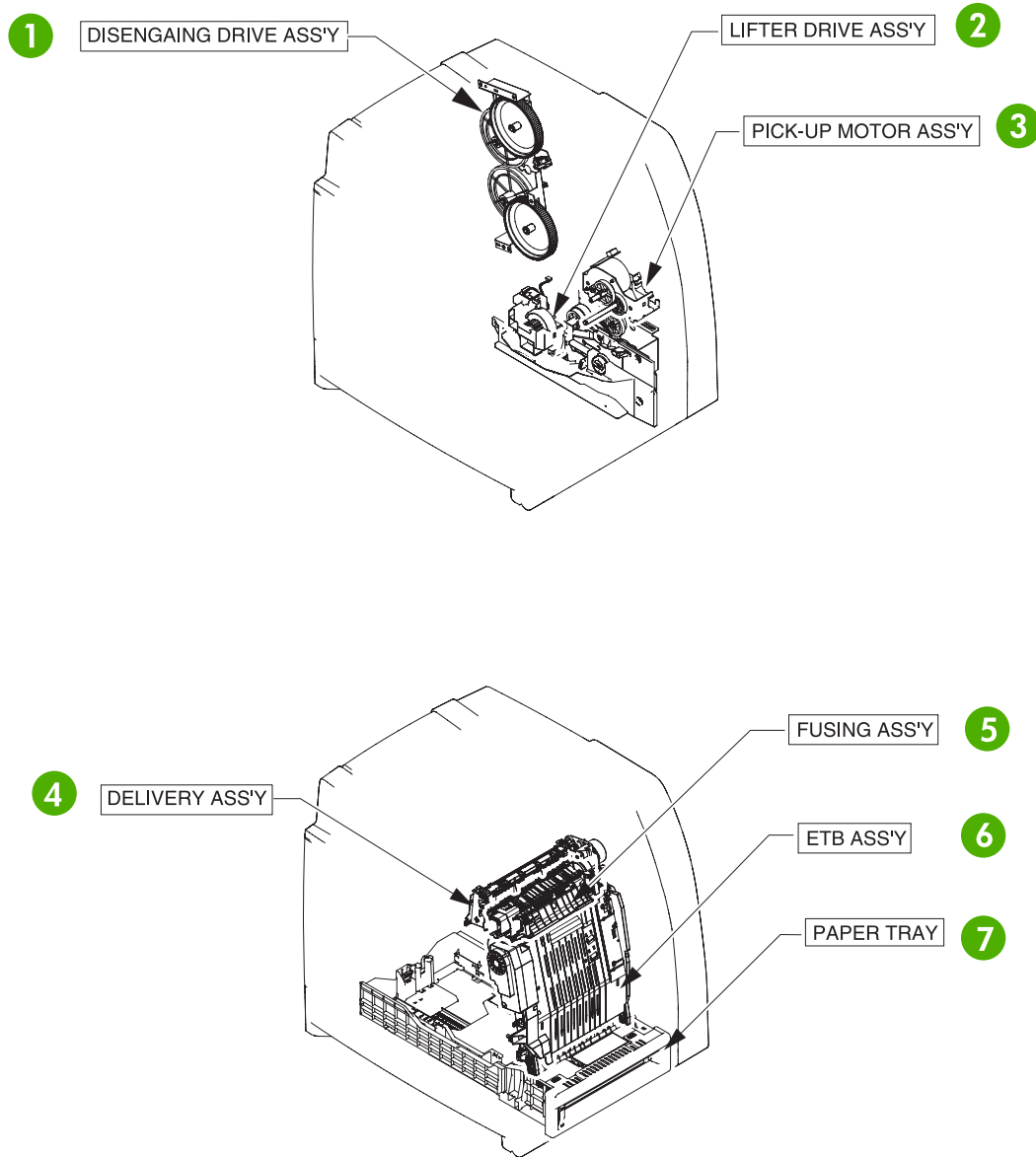


Figure 8-1 HP Color LaserJet 4700 series printer major components

Reference number	Description	Part number
1	Disengaging drive assembly	RM1-1717-000CN
2	Lifter drive assembly	RM1-1750-000CN
3	Pickup motor assembly	RM1-1666-000CN

Reference number	Description	Part number
4	Delivery assembly 220 V	RM1-1737-030CN
4	Delivery assembly 110 V	RM1-1730-000CN
5	Fuser assembly 110 V	RM1-3131-060CN
5	Fuser assembly 220 V	RM1-3146-060CN
6	ETB assembly	RM1-3161-080CN
7	Paper tray (Tray 2)	RM1-1693-000CN

External covers and panels

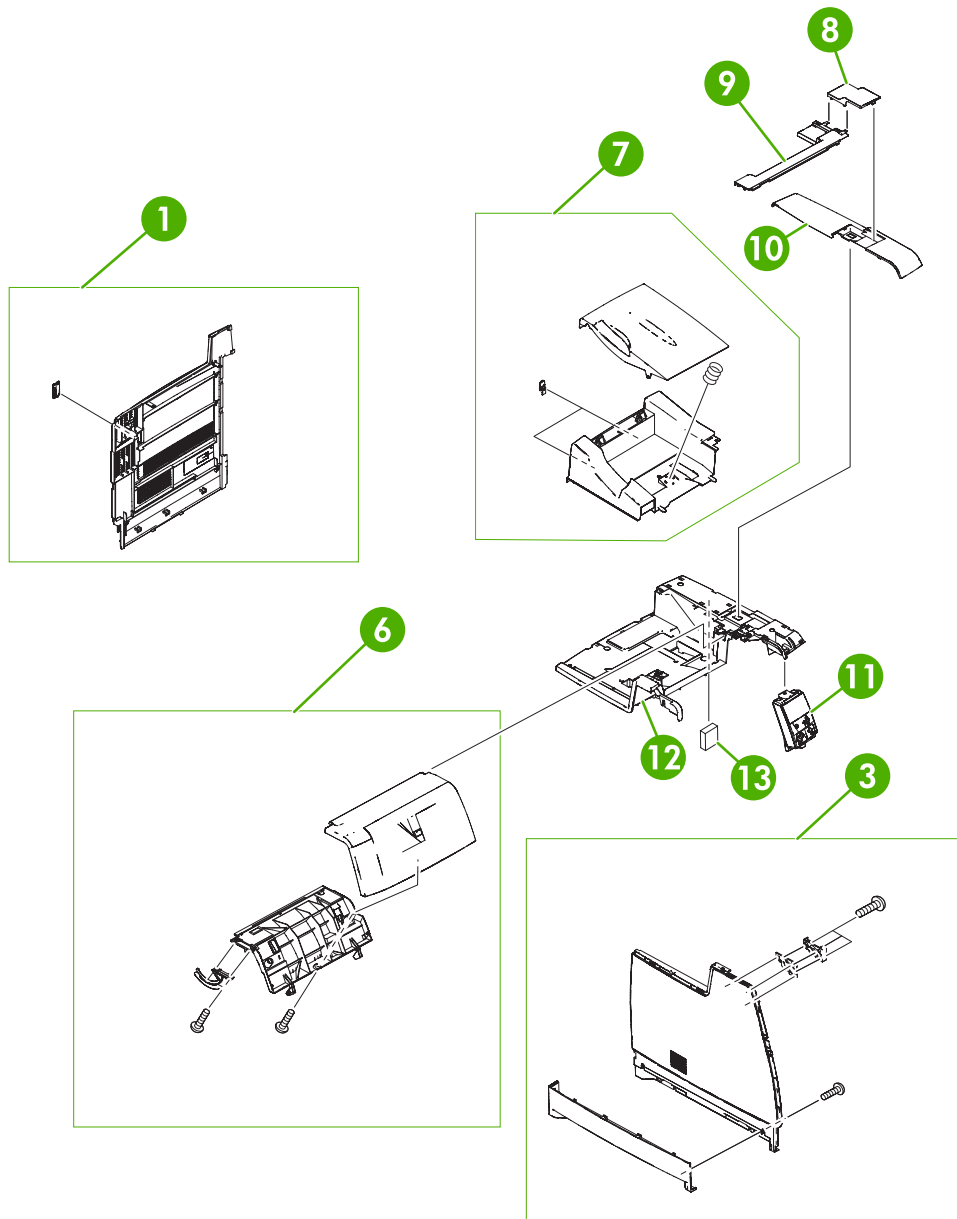


Figure 8-2 External covers and panels (1 of 2)

Table 8-5 External covers and panels (1 of 2)

Ref	Description	Part number	Qty
1	Rear cover assembly	RM1-1747-000CN	1
3	Left cover assembly	RM1-1739-000CN	1
6	Front top cover assembly	RM1-1745-000CN	1
7	Face-down tray assembly	RM1-1746-000CN	1
8	Duplex cover	RC1-4856-000CN	1
9	Duplex cover	RC1-4863-000CN	1
10	Right top cover	RC1-4855-020CN	1
11	Control panel assembly	RM1-1617-000CN	1
12	Top cover	RC1-4854-030CN	1
13	Air filter	RC1-4433-000CN	1

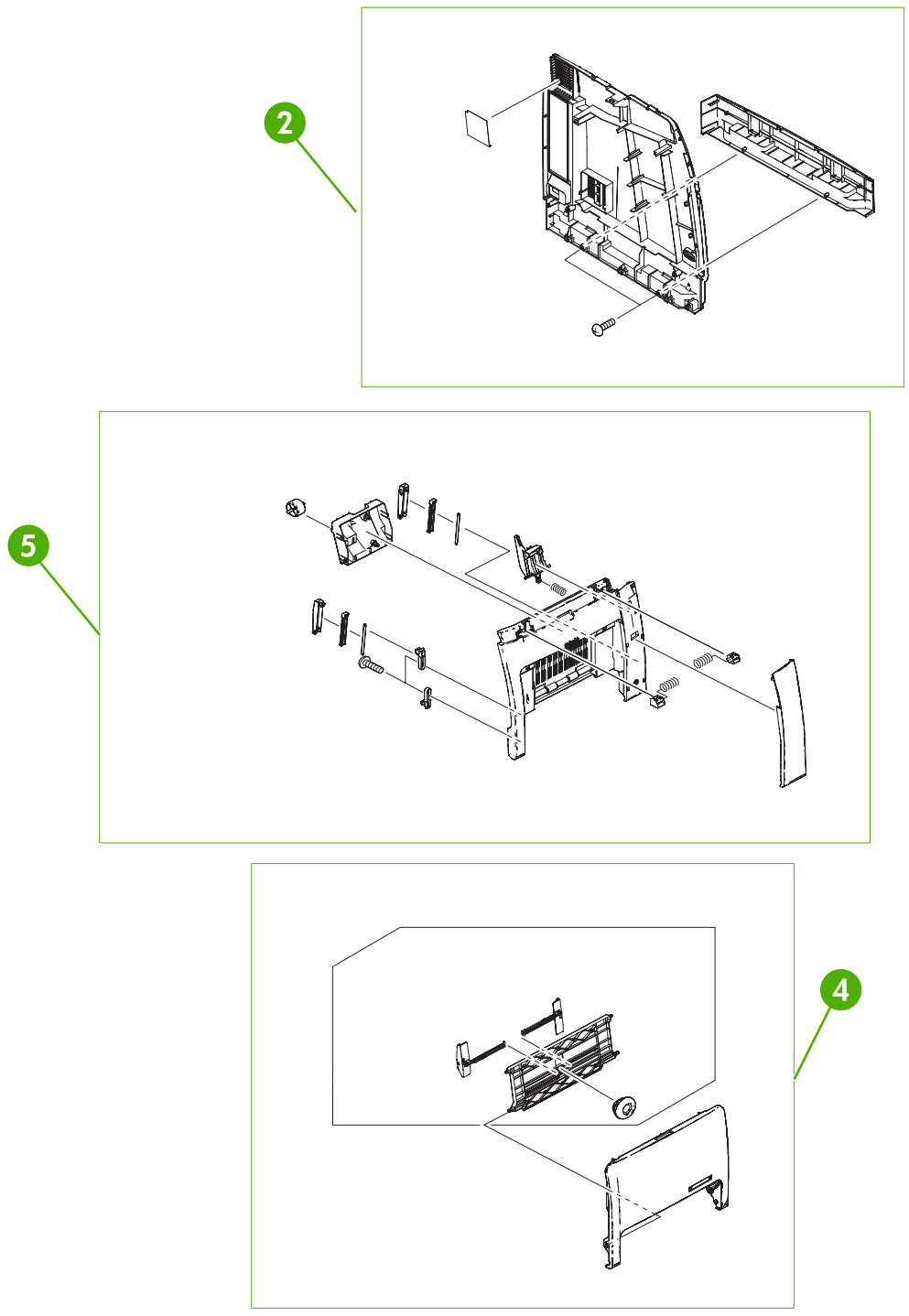


Figure 8-3 External covers and panels (2 of 2)

Table 8-6 External covers and panels (2 of 2)

Ref	Description	Part number	Qty
2	Right cover assembly	RM1-1738-020CN	1
4	Multipurpose tray (Tray 1) assembly	RM1-1740-020CN	1
5	Front lower cover assembly	RM1-1742-000CN	1

Internal components

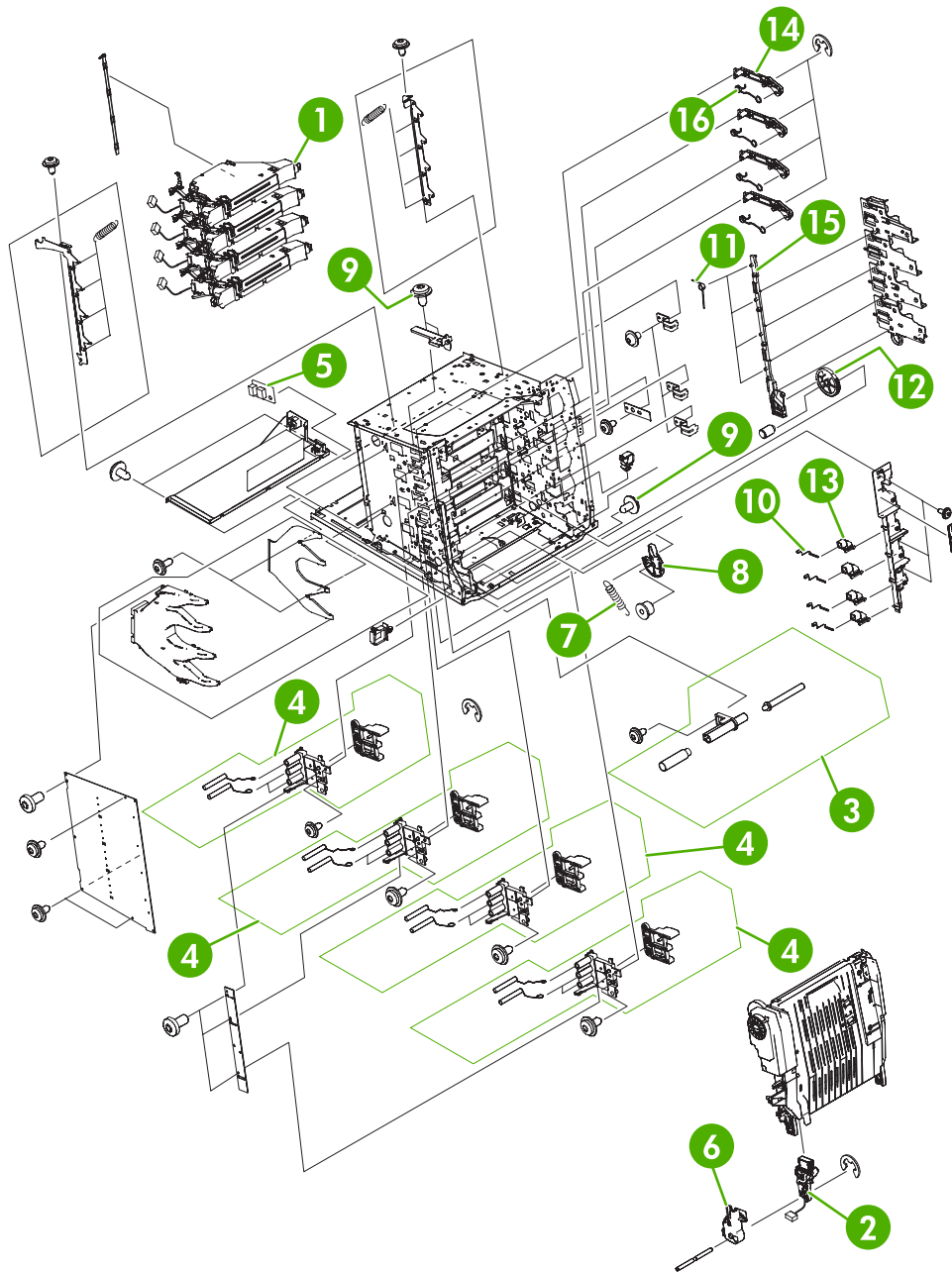


Figure 8-4 Internal components (1 of 6)

Table 8-7 Internal components (1 of 6)

Ref	Description	Part number	Qty
1	Laser/scanner assembly	RM1-1591-030CN	4
2	Connector guide assembly	RM1-1675-000CN	1
3	Attraction contact assembly	RM1-1676-000CN	1
4	H.V. terminal mount assembly	RM1-1677-000CN	4
5	Environment/humidity sensor unit	WP2-5187-000CN	1
6	Left ETB cap	RC1-4386-000CN	1
7	Tension spring	RC1-4423-000CN	1
8	Pressure plate	RC1-4397-000CN	1
9	Screw M3x6	XA9-1418-000CN	2
10	Compression spring	RC1-4396-000CN	4
11	Tension spring	RC1-4393-000CN	4
12	Gear, 70T	RC1-4392-000CN	1
13	High-voltage terminal block	RC1-4394-000CN	4
14	Cartridge pressure, left lever	RC1-4387-000CN	4
15	Cartridge interlock, left plate	RC1-4385-000CN	1
16	Tension spring	RC1-4395-000CN	4

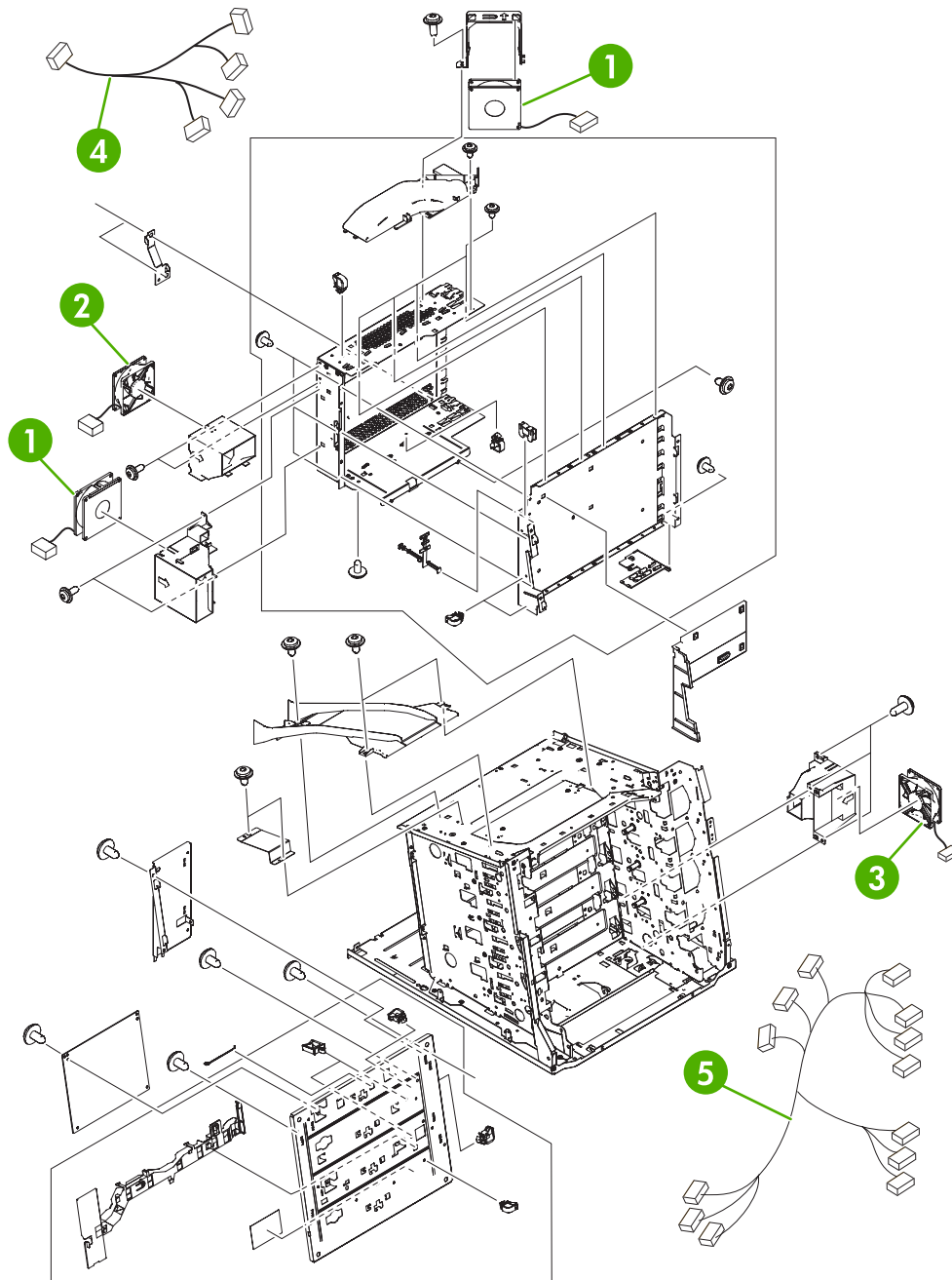


Figure 8-5 Internal components (2 of 6)

Table 8-8 Internal components (2 of 6)

Ref	Description	Part number	Qty
1	Upper exhaust fan/cartridge fan	RK2-0623-000CN	2
2	Delivery fan	RM1-1757-000CN	1
3	Power supply fan	RK2-0622-000CN	1
4	Fan cable assembly	RM1-1646-000CN	1
5	Misregistration sensor cable assembly	RM1-1629-000CN	1

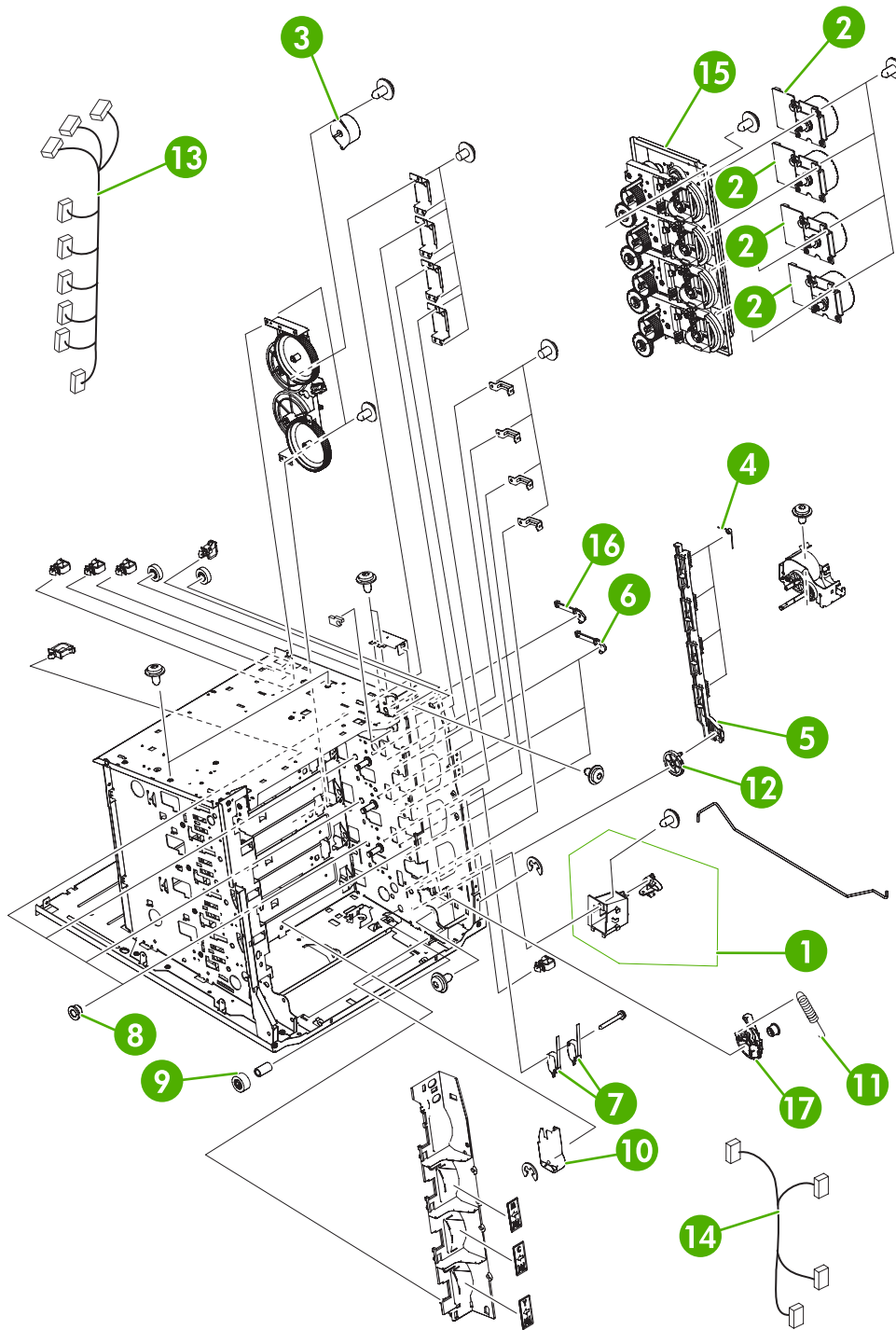


Figure 8-6 Internal components (3 of 6)

Table 8-9 Internal components (3 of 6)

Ref	Description	Part number	Qty
1	Power switch assembly	RM1-1671-000CN	1
2	Drum motor assembly	RM1-1659-000CN	4
3	DC stepping motor	RK2-0618-000CN	1
4	Tension spring	RC1-4357-000CN	4
5	Cartridge interlock, right plate	RC1-4354-000CN	1
6	Cartridge pressure, right lever	RC1-4353-000CN	3
7	Interlock switch	WC4-5242-000CN	2
8	Bushing	RC1-4325-000CN	4
9	Gear, 18T	RC1-4324-000CN	1
10	Right ETB cap	RC1-4352-000CN	1
11	Tension spring	RC1-4423-000CN	1
12	Gear, 70T	RC1-4356-000CN	1
13	Drum motor cable assembly	RM1-1628-000CN	1
14	Door switch cable assembly	RM1-1643-000CN	1
15	Main drive assembly	RM1-1716-000CN	1
16	Cartridge pressure, top right lever	RL1-0639-000CN	1
17	Pressure plate, right	RC1-4360-000CN	1

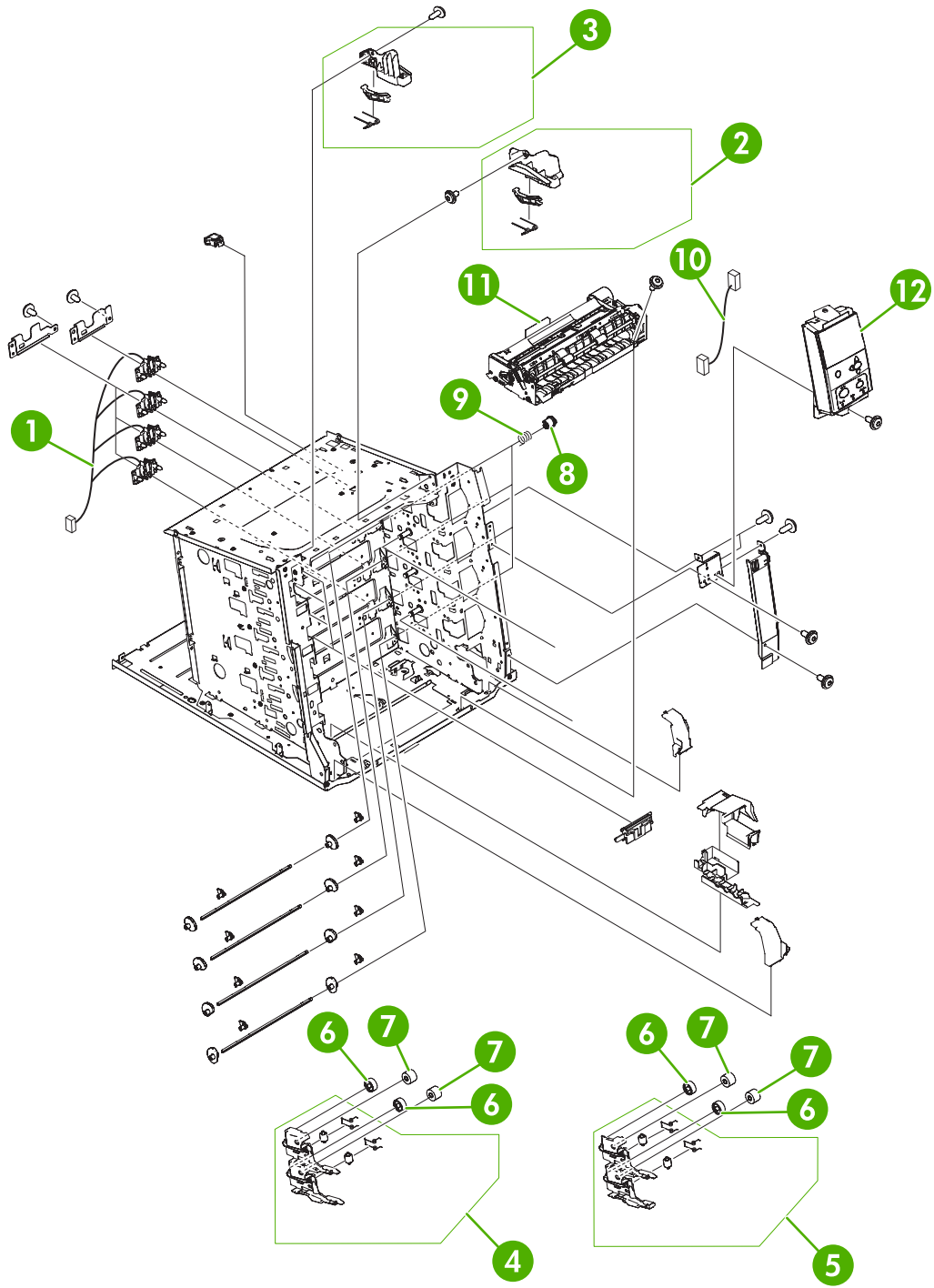


Figure 8-7 Internal components (4 of 6)

Table 8-10 Internal components (4 of 6)

Ref	Description	Part number	Qty
1	Memory contact cable	RM1-1653-000CN	1
2	Right ETB lever assembly	RM1-1662-000CN	1
3	Left ETB lever assembly	RM1-1663-000CN	1
4	Cartridge guide assembly, right upper	RM1-1668-000CN	1
5	Cartridge guide assembly, right lower	RM1-1669-000CN	1
6	Gear, 30T	RC1-4309-000CN	4
7	Gear, 29T	RC1-4310-000CN	4
8	Development estrangement coupling	RC1-4382-000CN	4
9	Compression spring	RC1-4383-000CN	4
10	Control panel cable	RM1-1640-000CN	1
11	Paper feed assembly	RM1-1756-000CN	1
12	Control panel assembly	RM1-1617-000CN	1

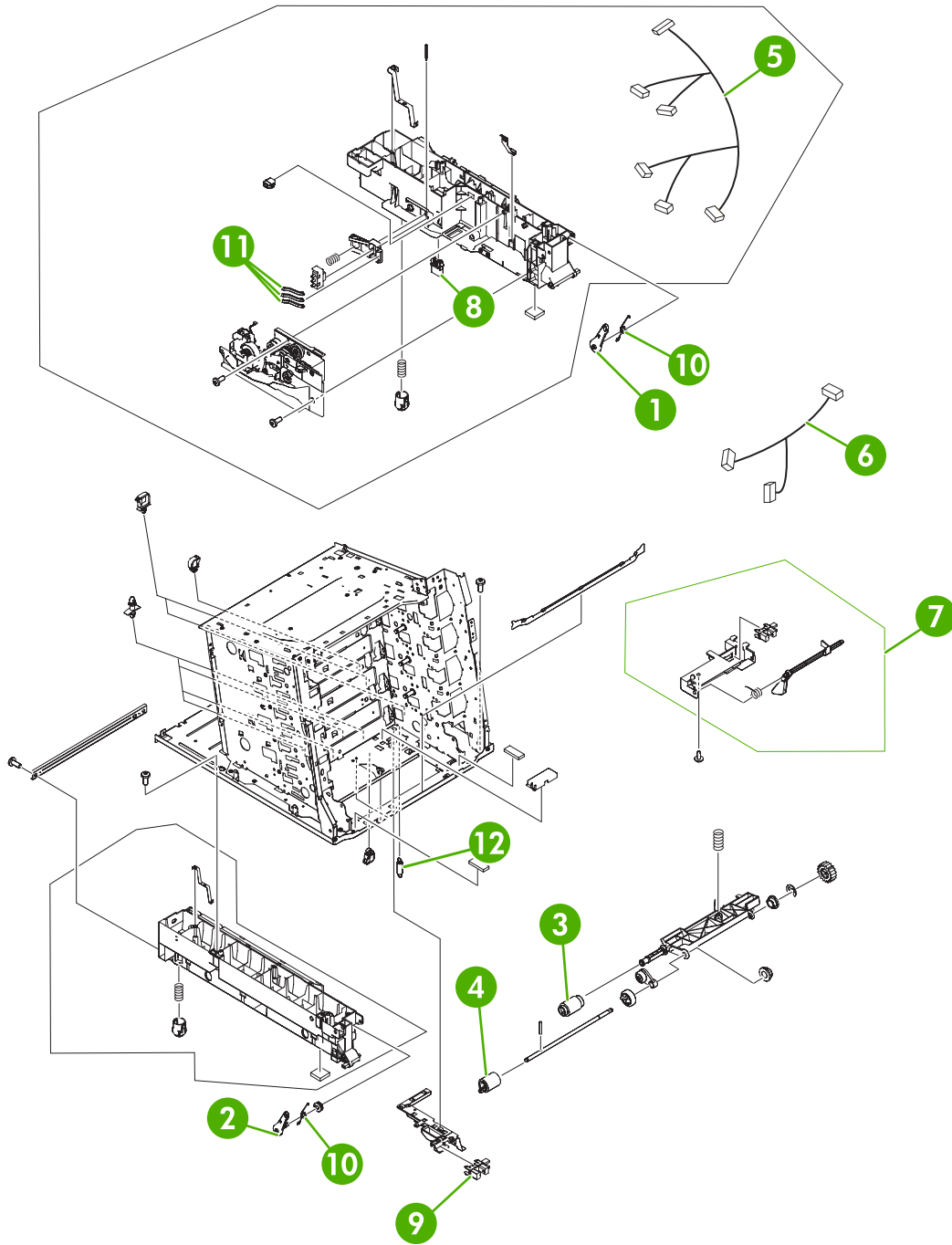


Figure 8-8 Internal components (5 of 6)

Table 8-11 Internal components (5 of 6)

Ref	Description	Part number	Qty
1	M.P. link, right arm	RC1-4439-000CN	1
2	M.P. link, left arm	RC1-4441-000CN	1
3	Paper pickup roller assembly	RM1-0036-020CN	1
4	Paper feed roller assembly	RM1-0037-020CN	1
5	Pickup cable assembly	RM1-1633-000CN	1
6	Paper sensor cable assembly	RM1-1641-000CN	1
7	Paper detection assembly	RM1-1692-000CN	1
8	Drawer connector	VS1-7258-007CN	1
9	Photo interrupter	WG8-5696-000CN	1
10	Torsion spring	RC1-4440-000CN	2
11	Size detect lever	RC1-0503-000CN	3
12	Lifter drive assembly tension spring	RC1-0198-000CN	3

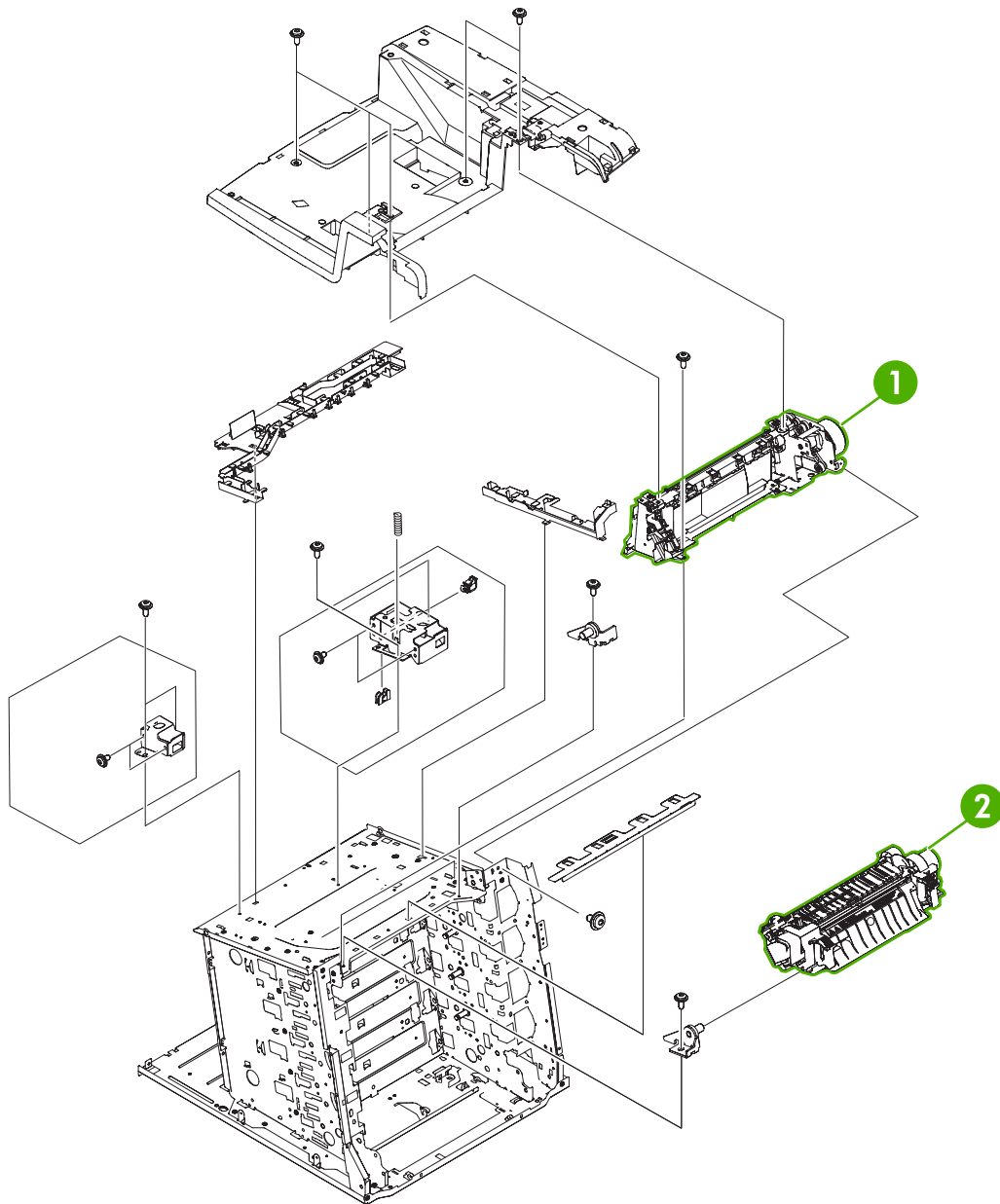


Figure 8-9 Internal components (6 of 6)

Table 8-12 Internal components (6 of 6)

Ref	Description	Part number	Qty
1	Delivery assembly 110 V	RM1-1730-030CN	1
1	Delivery assembly 220 V	RM1-1737-030CN	1
2	Fuser 110 V	RM1-3131-060CN	1
2	Fuser 220 V	RM1-3146-060CN	1

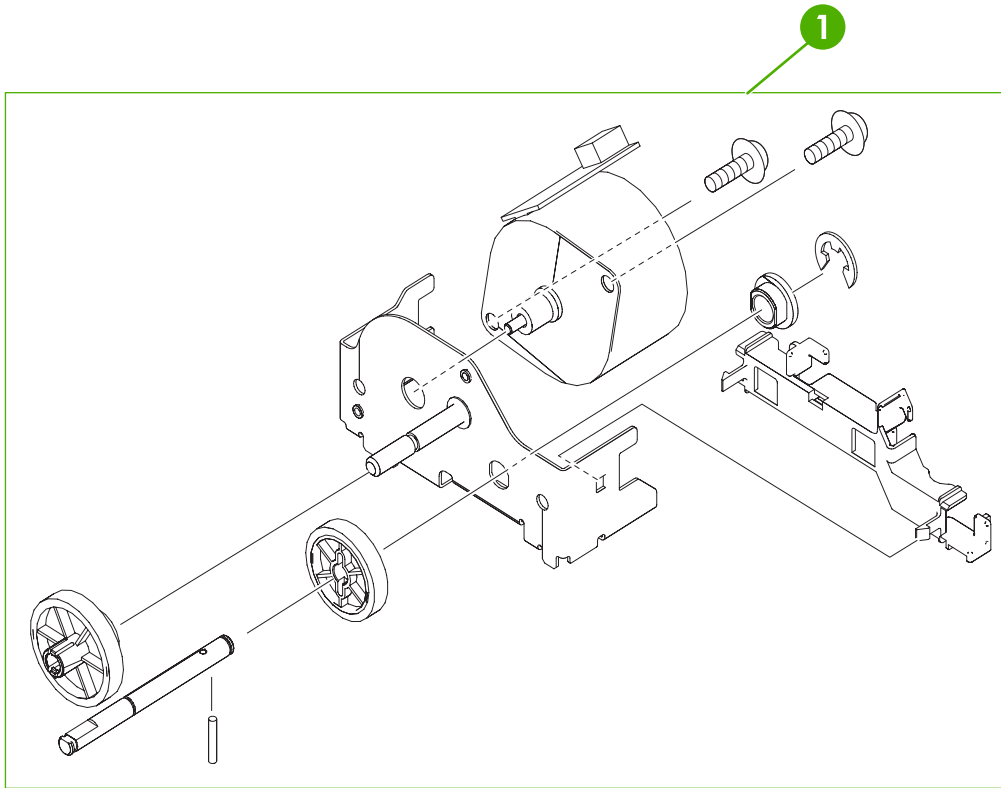


Figure 8-10 Pickup motor assembly

Table 8-13 Pickup motor assembly

Ref	Description	Part number	Qty
1	Pickup motor assembly	RM1-1666-000CN	1

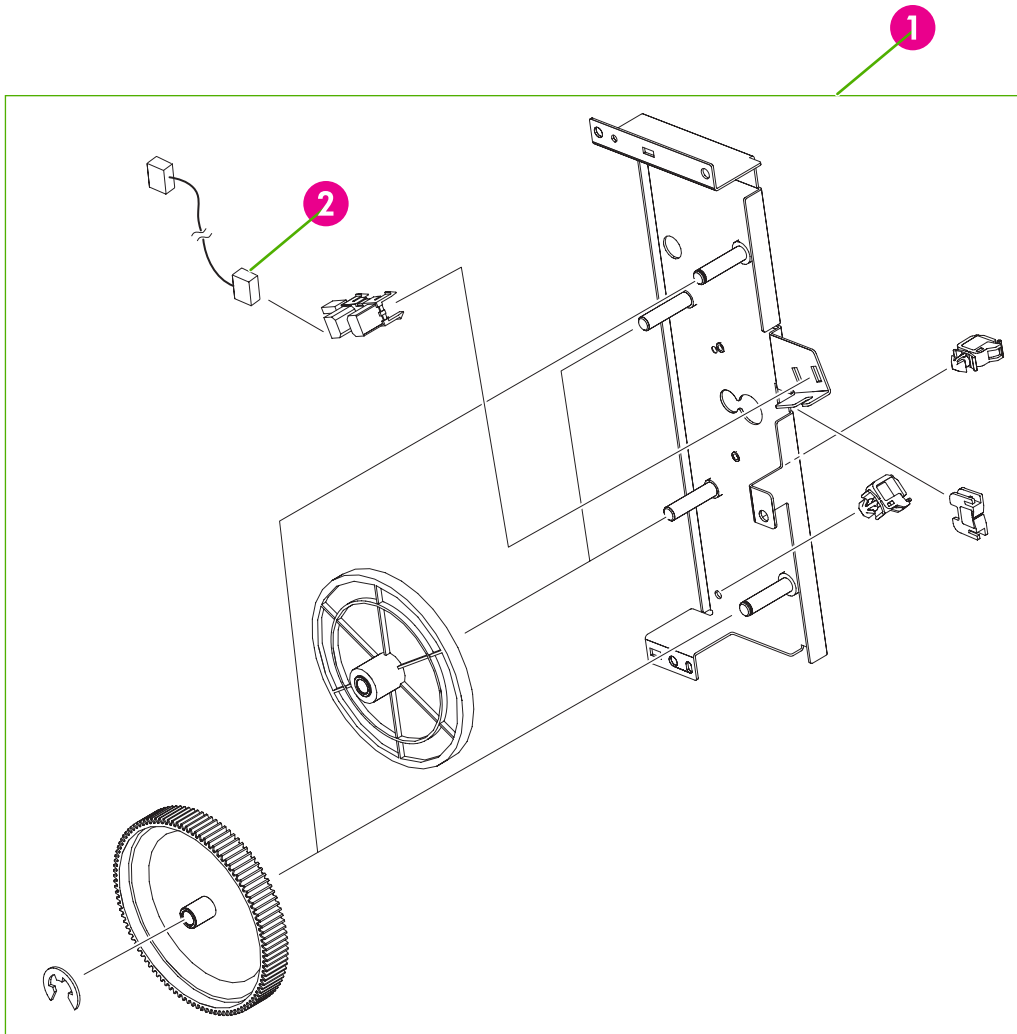


Figure 8-11 Disengaging drive assembly

Table 8-14 Disengaging drive assembly

Ref	Description	Part number	Qty
1	Disengaging drive assembly	RM1-1717-000CN	1
2	Developing disengaging sensor cable	RM1-1644-000CN	1

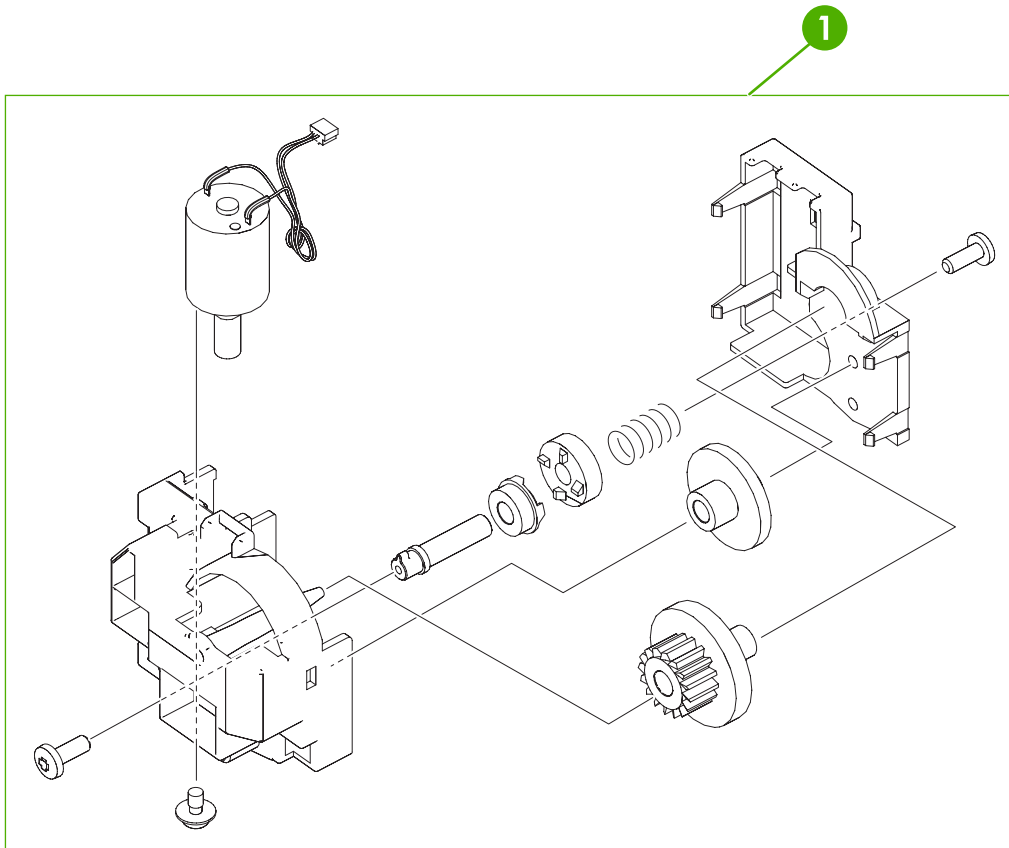


Figure 8-12 Lifter drive assembly

Table 8-15 Lifter drive assembly

Ref	Description	Part number	Qty
1	Lifter drive assembly	RM1-1750-000CN	1

1

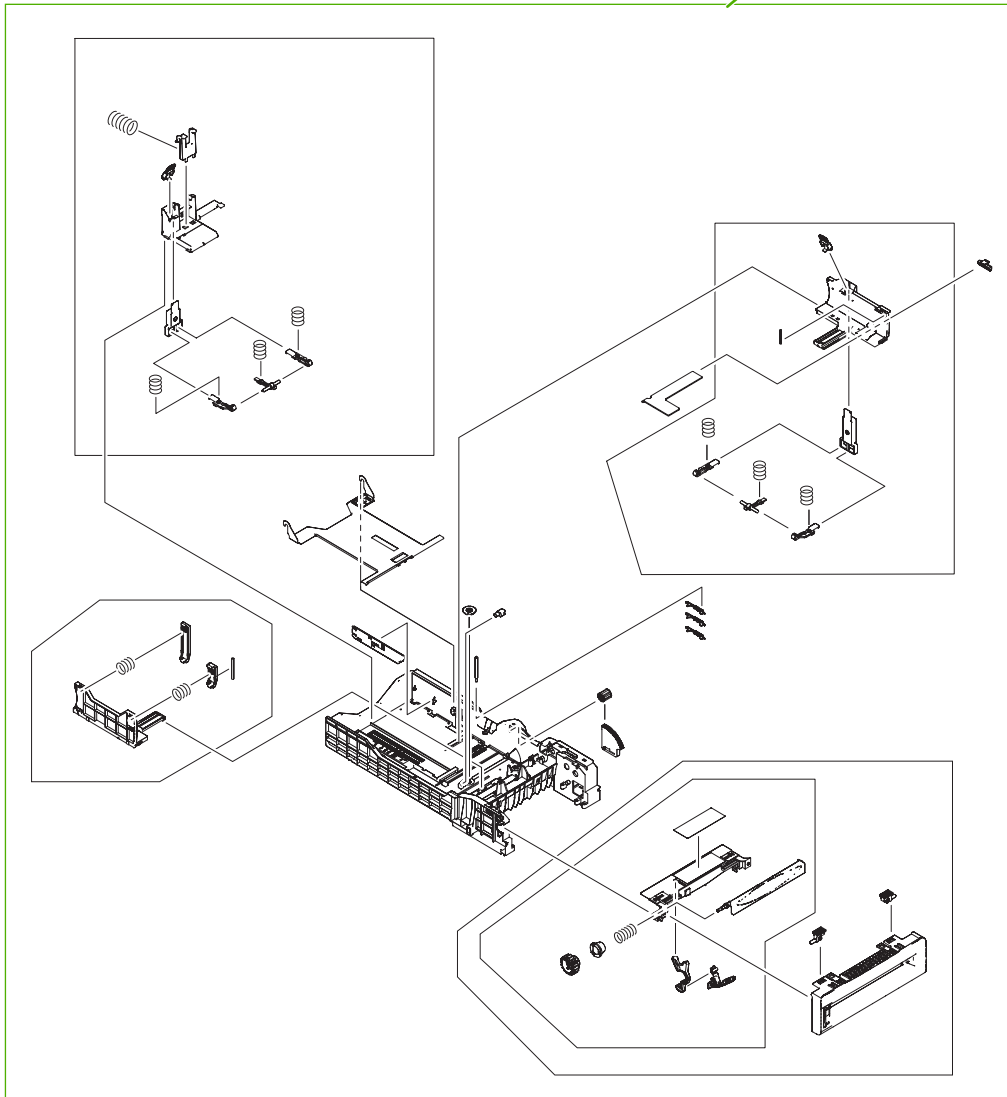


Figure 8-13 Paper tray (1 of 2)

Table 8-16 Paper tray (1 of 2)

Ref	Description	Part number	Qty
1	Paper tray (Tray 2)	RM1-1693-020CN	1

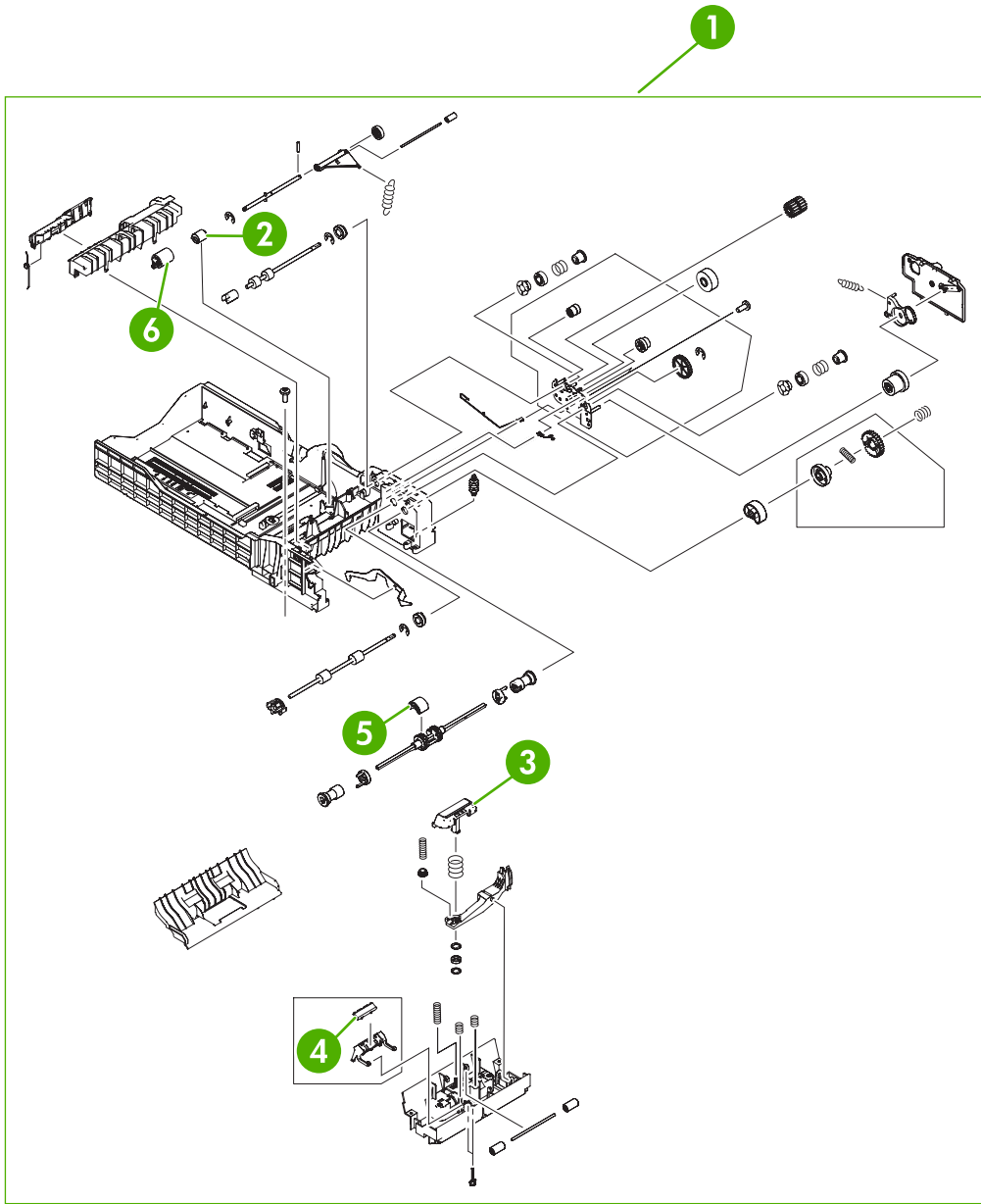


Figure 8-14 Paper tray (2 of 2)

Table 8-17 Paper tray (2 of 2)

Ref	Description	Part number	Qty
1	Paper tray (Tray 2)	RM1-1693-020CN	1
2	Torque limiter	RC1-3293-000CN	1
3	Paper pickup plate assembly	RF5-3749-000CN	1
4	Multipurpose separation pad assembly	RF5-3750-020CN	1
5	Pickup roller, Tray 1	RL1-0019-000CN	1
6	Paper feed roller assembly	RM1-0037-020CN	1

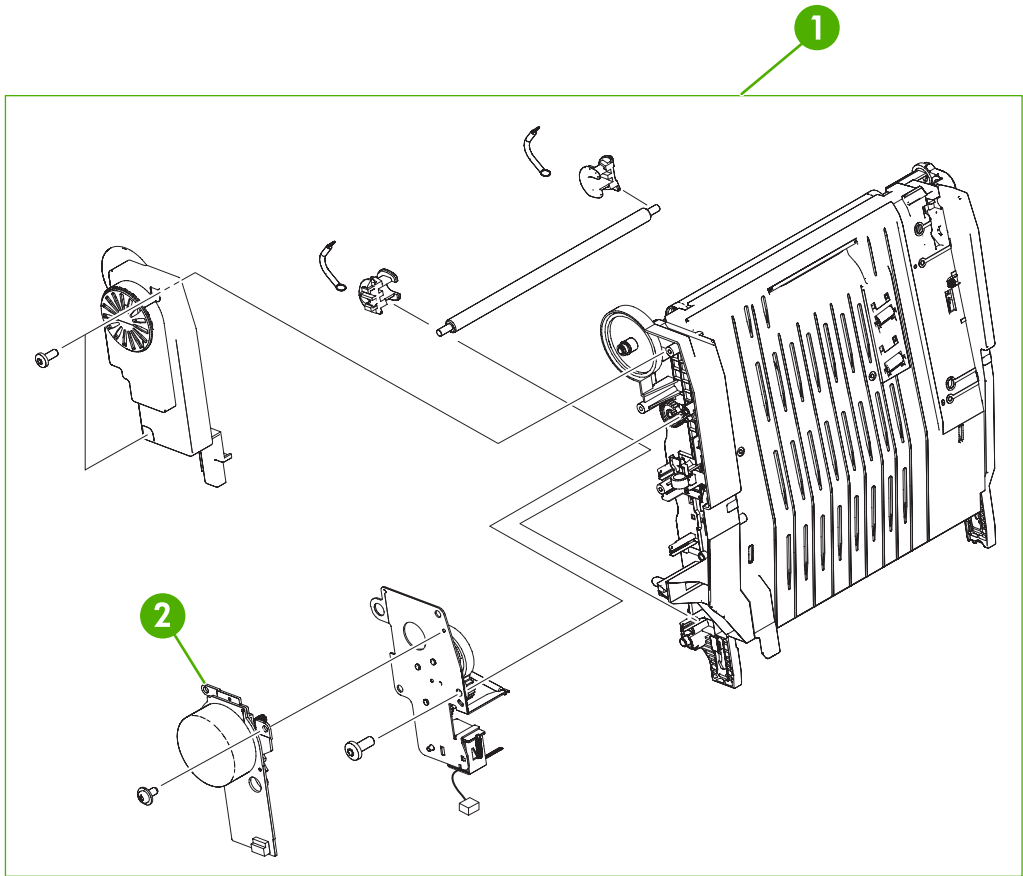


Figure 8-15 ETB assembly

Table 8-18 ETB assembly

Ref	Description	Part number	Qty
1	ETB assembly	RM1-3161-080CN	1
2	ETB motor	RK2-0616-000CN	1

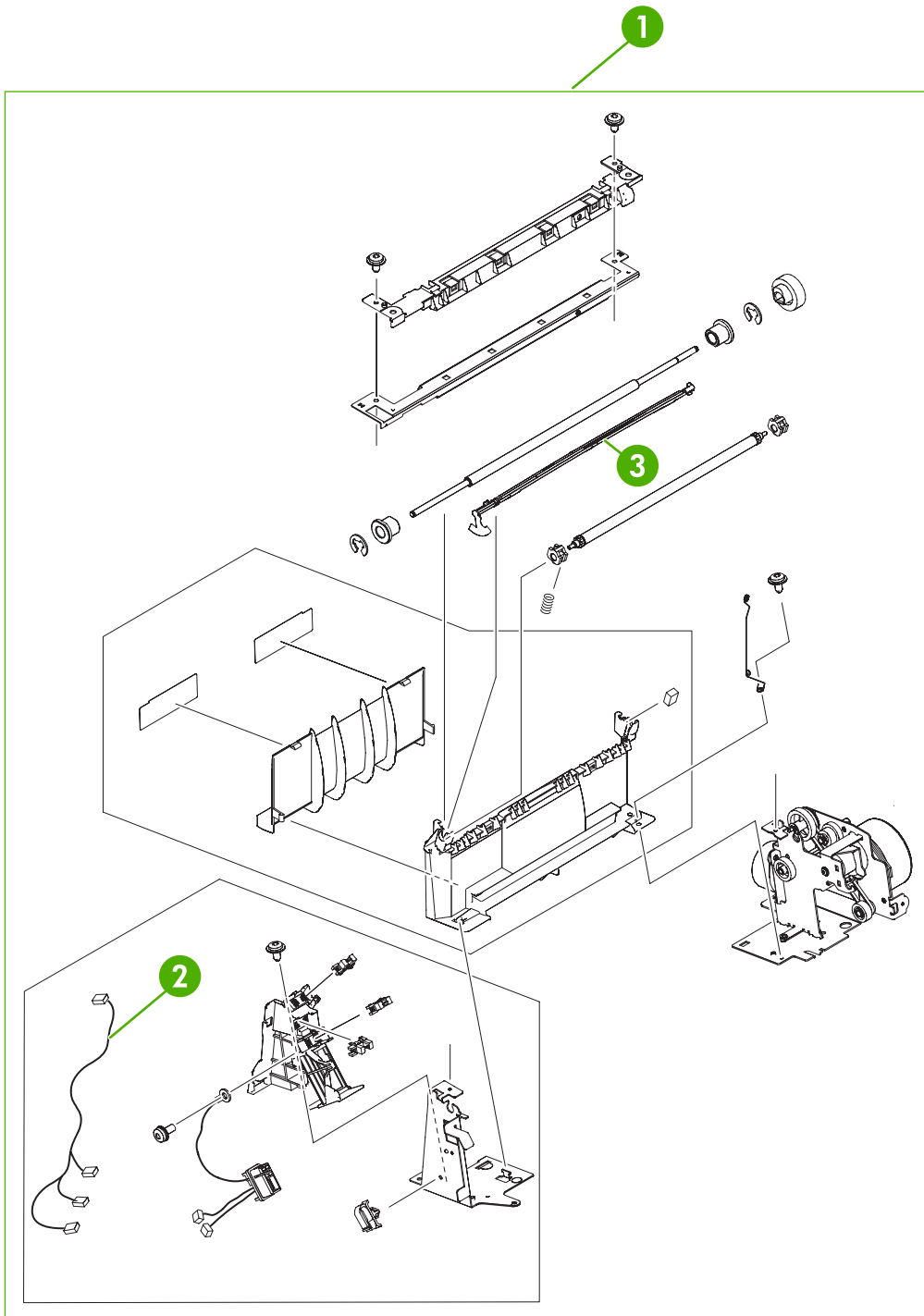


Figure 8-16 Delivery assembly

Table 8-19 Delivery assembly

Ref	Description	Part number	Qty
1	Delivery assembly 110 V	RM1-1730-030CN	1
1	Delivery assembly 220 V	RM1-1737-030CN	1
2	Bin full sensor flag	RL1-0612-000CN	1

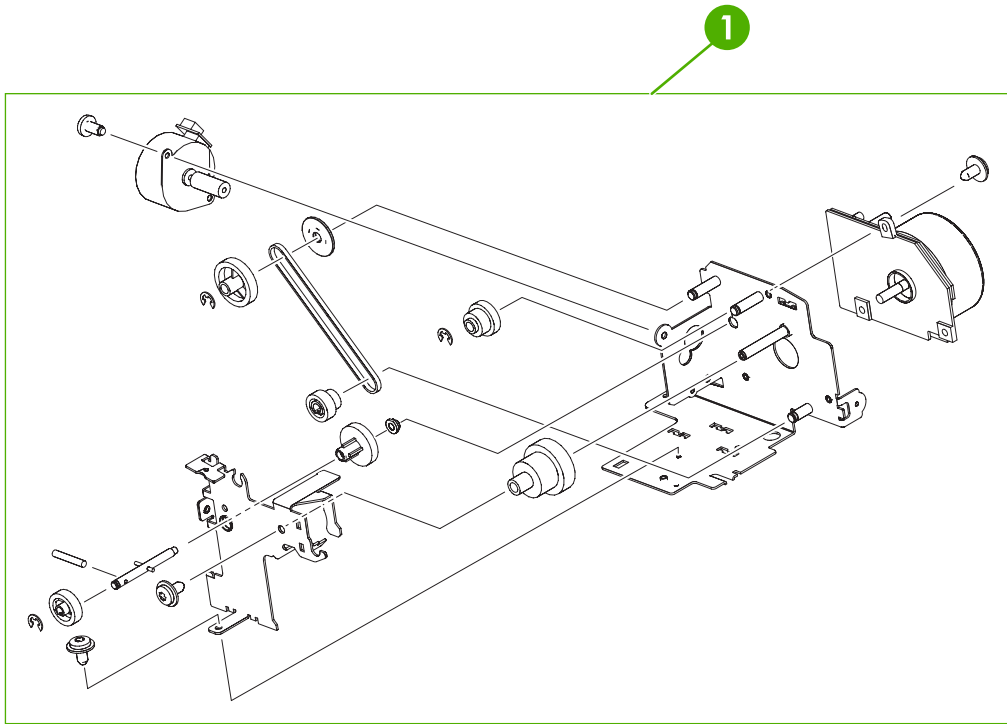


Figure 8-17 Fuser drive assembly

Table 8-20 Fuser drive assembly

Ref	Description	Part number	Qty
1	Fuser drive assembly	RM1-1729-000CN	1

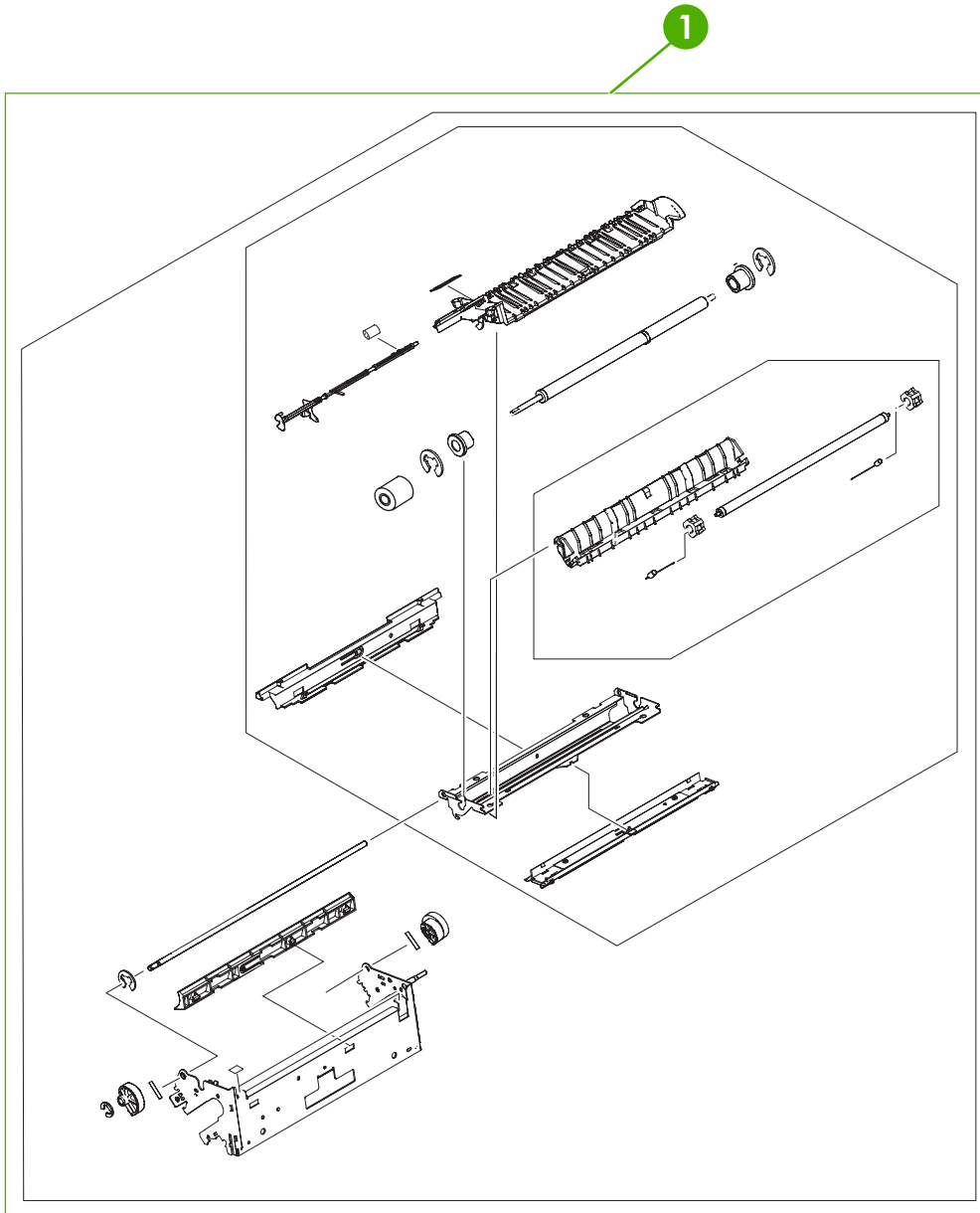


Figure 8-18 Fuser assembly (1 of 2)

Table 8-21 Fuser assembly

Ref	Description	Part number	Qty
1	Fuser 110 V	RM1-3131-060CN	1
1	Fuser 220 V	RM1-3146-060CN	1

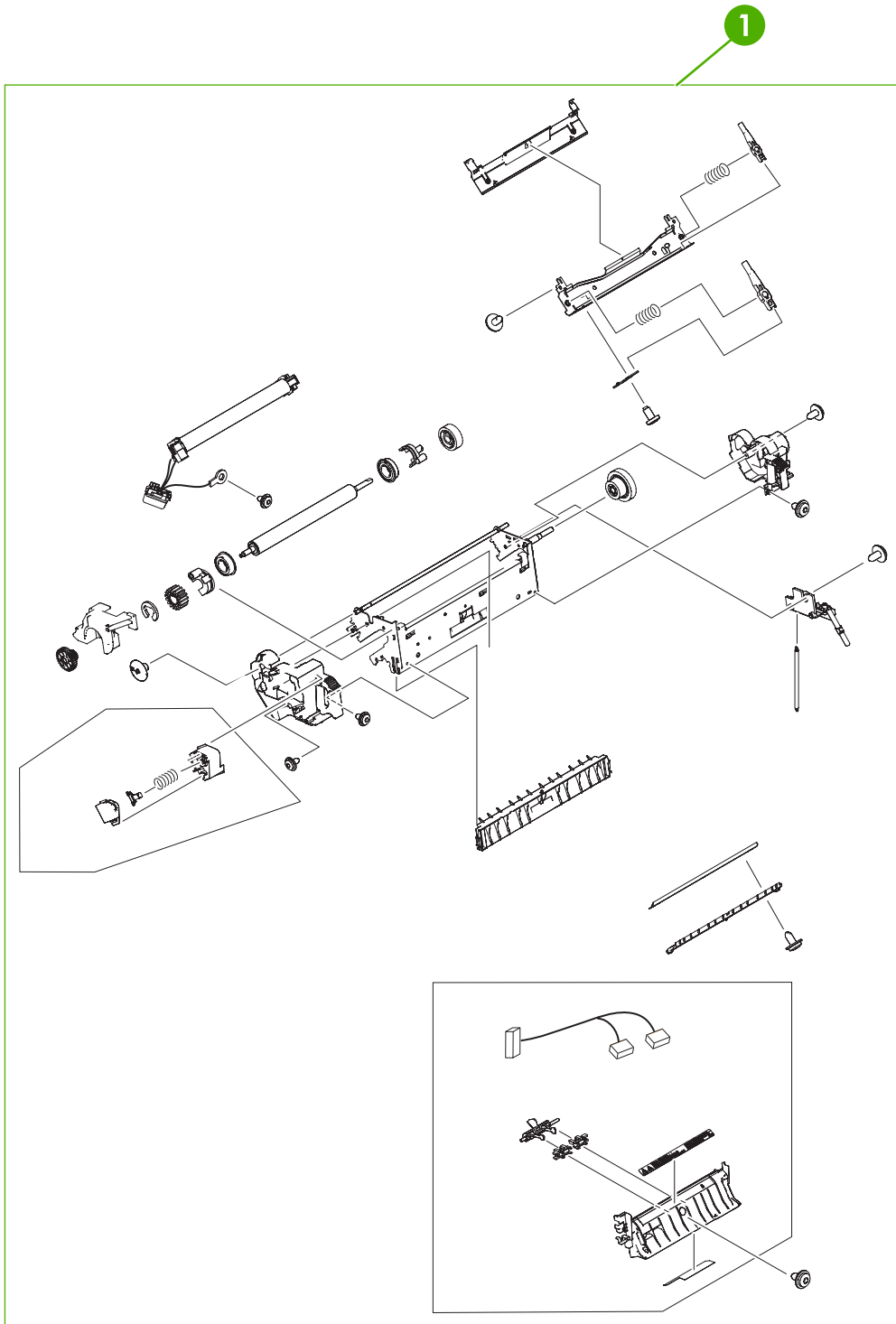


Figure 8-19 Fuser assembly (2 of 2)

Table 8-22 Fuser assembly

Ref	Description	Part number	Qty
1	Fuser 110 V	RM1-3131-060CN	1
1	Fuser 220 V	RM1-3146-060CN	1

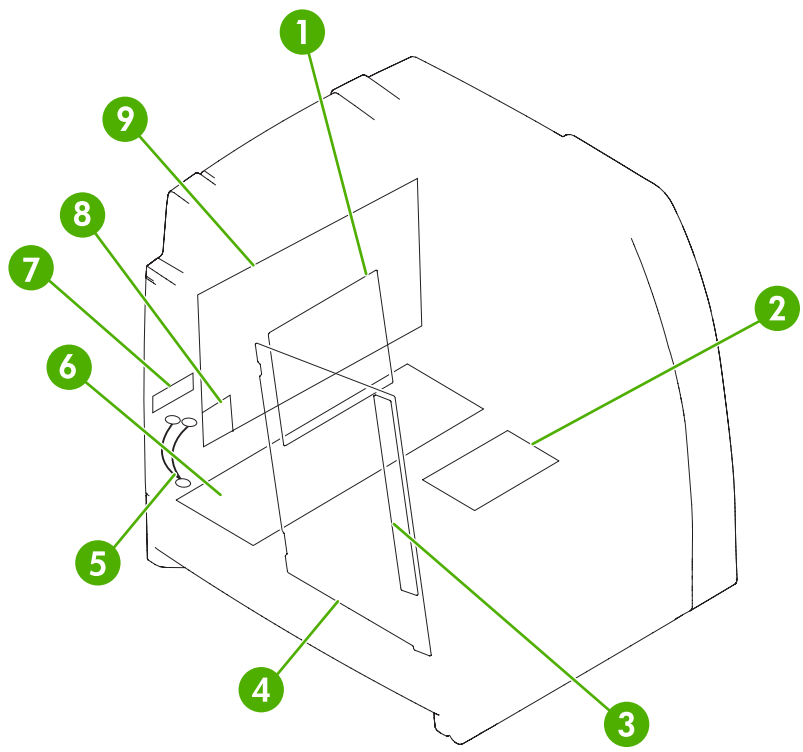


Figure 8-20 Printer PCBs

Table 8-23 Printer PCBs

Ref	Description	Part number	Qty
1	DC controller PCB	RM1-1607-060CN	1
2	Memory PCB	RM1-1618-000CN	1
3	Toner sensor PCB	RM1-1609-000CN	1
4	High-voltage power PCB	RM1-1608-000CN	1
5	Formatter power cable assembly	RM1-1642-000CN	1
6	Formatter to DC Controller flat ribbon cable	RK2-1171-000CN	1
7	Low-voltage PCB 110 V	RK2-0627-000CN	1
7	Low-voltage PCB 220 V	RK2-0628-000CN	1
8	Compact flash, 4700 models	Q7725-67926	1
8	Compact flash, CP4005 models	Q7725-67942	1
9	Formatter base, 4700 models (new)	Q7491-67904	1
9	Formatter base, 4700 models (exchange)	Q7491-69002	1
9	Formatter 4700n, 4700dn, 4700dtn (new)	Q7492-67902	1
9	Formatter 4700n, 4700dn, 4700dtn (exchange)	Q7492-69002	1
9	Formatter 4700ph+ (new)	Q7495-67903	1
9	Formatter 4700ph+ (exchange)	Q7495-69002	1
9	Formatter CP4005n, CP4005dn (new)	CB503-67901	1
9	Formatter CP4005n, CP4005dn (exchange)	CB503-69001	1

Accessories

The following diagrams and tables show the accessories and accessory parts for the HP Color LaserJet 4700 and HP Color LaserJet CP4005 series printers.

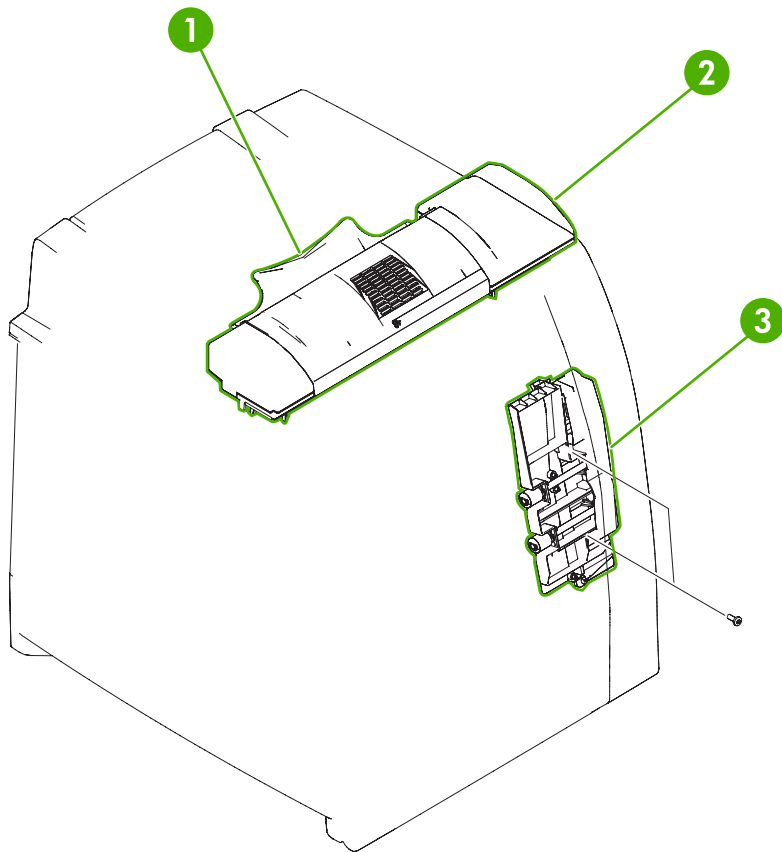


Figure 8-21 Duplexer

Table 8-24 Duplexer

Ref	Description	Part number	Qty
1	Duplexing tray	RC1-5043-020CN	1
2	Top duplexing assembly	RM1-1784-090CN	1
3	Duplexing feed assembly on ETB	RM1-1785-000CN	1

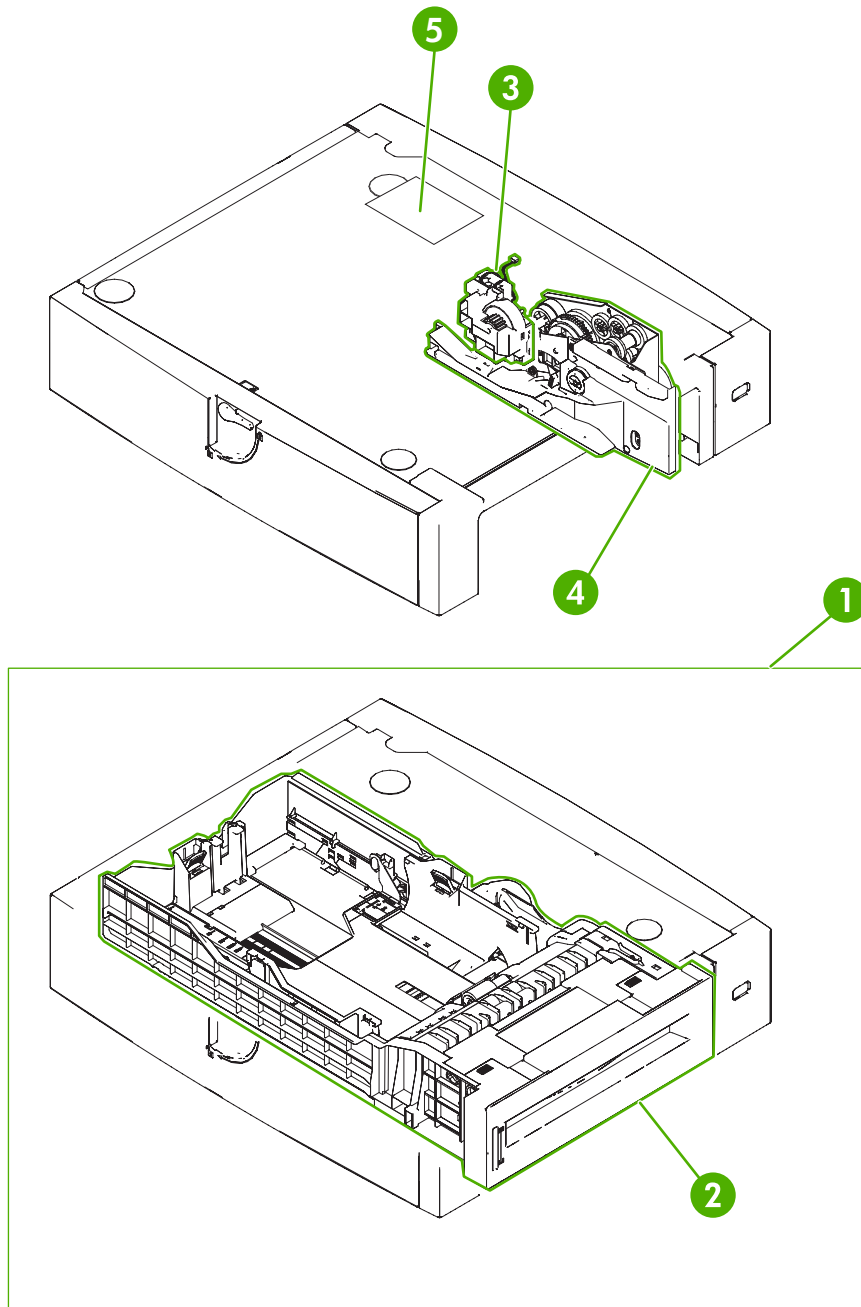


Figure 8-22 500-sheet paper feeder assembly

Table 8-25 500-sheet paper feeder assembly

Ref	Description	Part number	Qty
1	Paper feeder tray/assembly	Q7499-67901	1
2	Paper tray	RM1-1764-020CN	1
3	Lifter drive assembly	RM1-1750-000CN	1
4	Paper pickup drive assembly	RM1-1760-020CN	1
5	Paper feeder driver PCB	RM1-2365-020CN	1

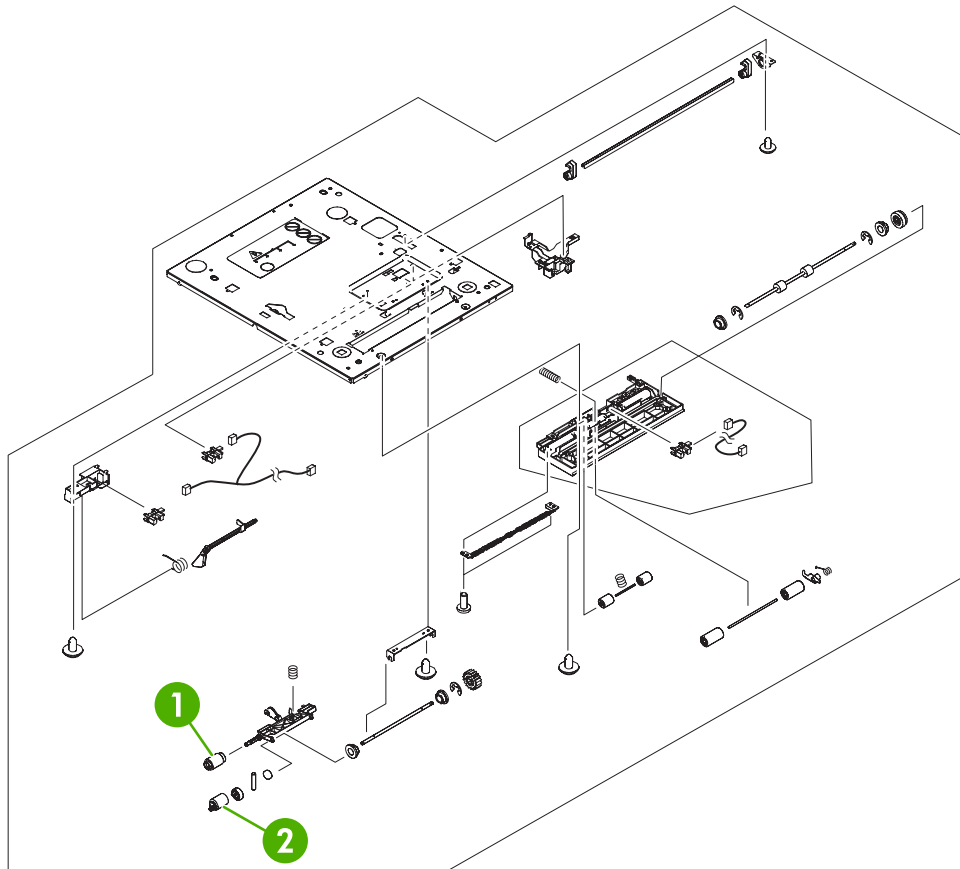


Figure 8-23 500-sheet paper feeder internal components

Table 8-26 500-sheet paper feeder internal components

Ref	Description	Part number	Qty
1	Paper pickup roller assembly	RM1-0036-020CN	1
2	Paper feed roller assembly	RM1-0037-020CN	1

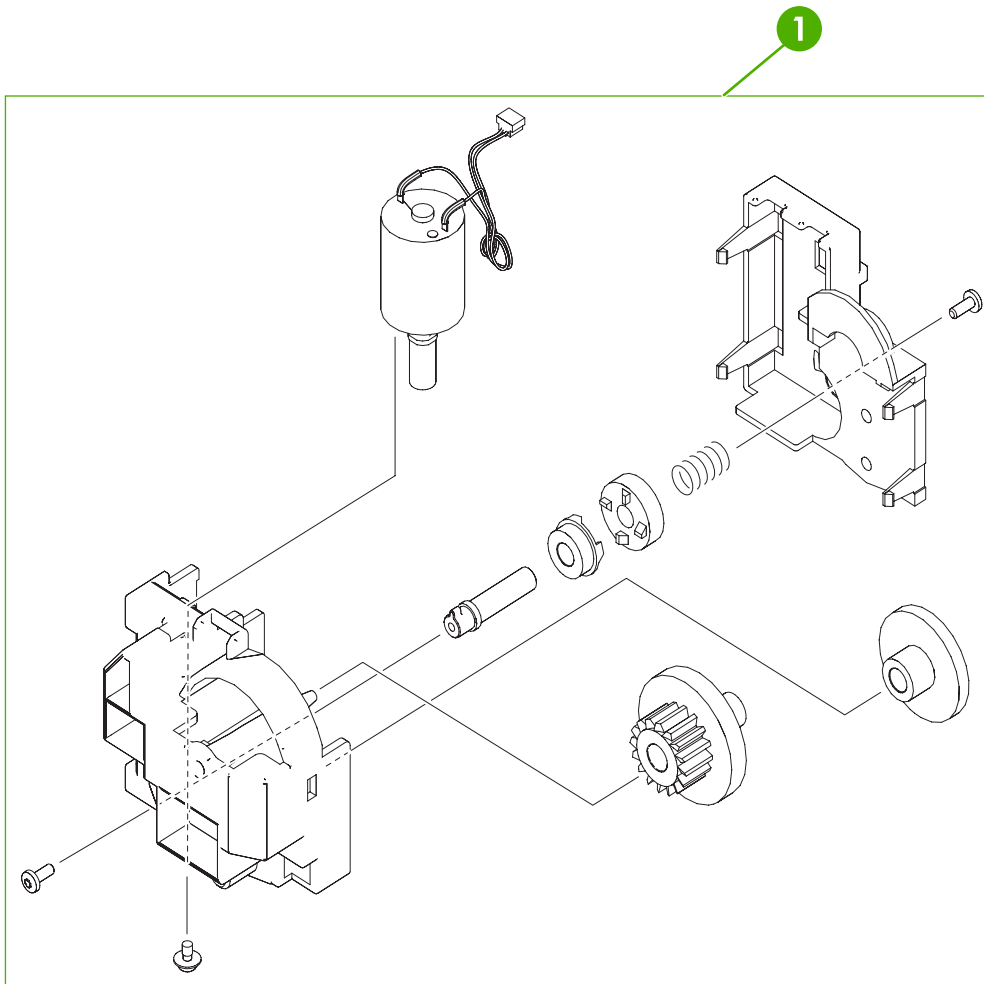


Figure 8-24 500-sheet paper feeder lifter drive assembly

Table 8-27 500-sheet paper feeder lifter drive assembly

Ref	Description	Part number	Qty
1	Lifter drive assembly	RM1-1750-000CN	1

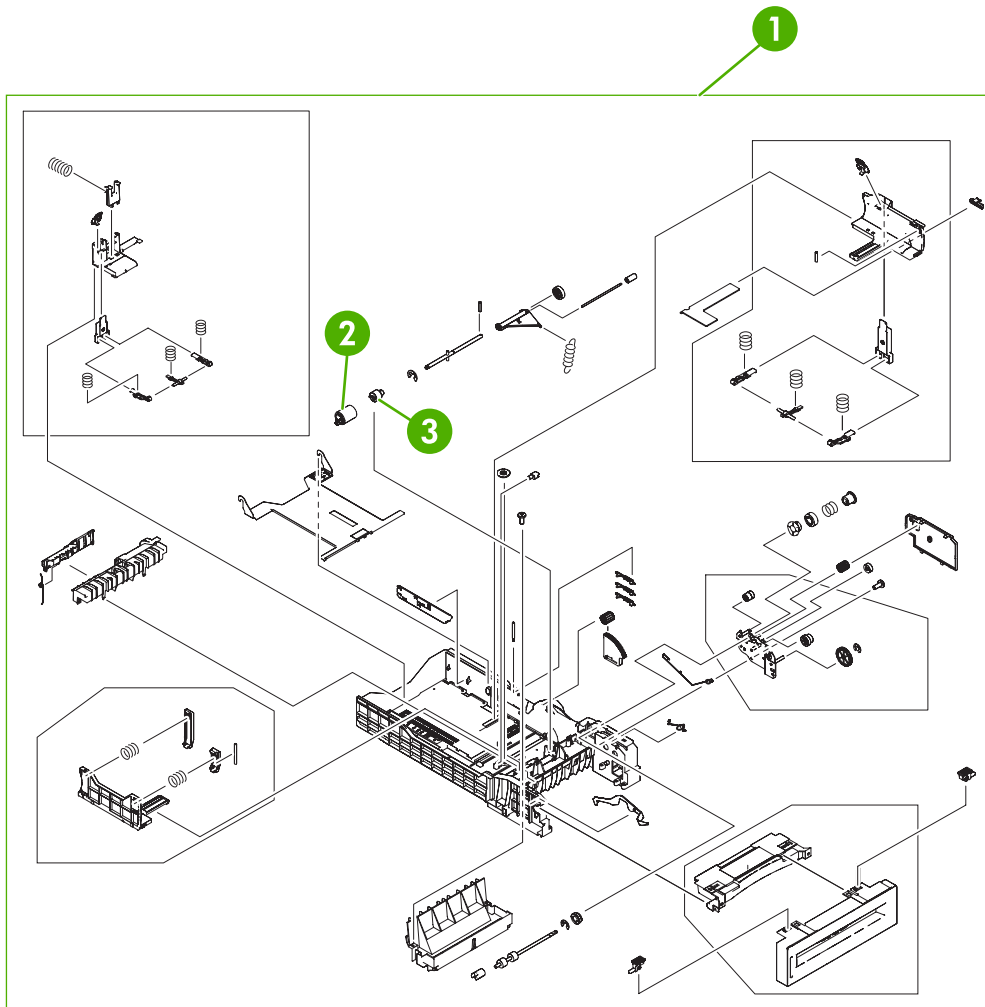


Figure 8-25 500-sheet paper feeder paper tray

Table 8-28 500-sheet paper feeder paper tray

Ref	Description	Part number	Qty
1	Paper tray	RM1-1764-020CN	1
2	Paper feed roller assembly	RM1-0037-020CN	1
3	Torque limiter	RC1-3293-000CN	1

1

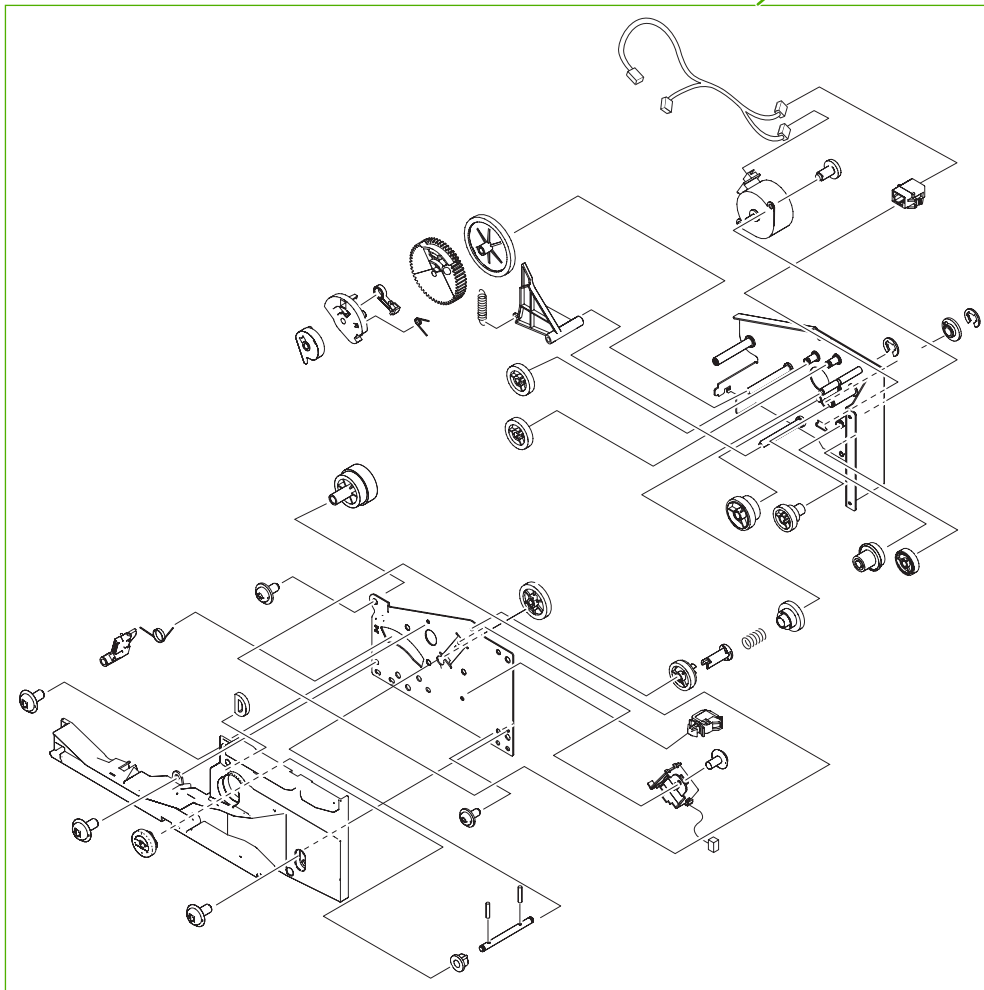


Figure 8-26 500-sheet paper feeder paper pickup drive assembly

Table 8-29 500-sheet paper feeder paper pickup drive assembly

Ref	Description	Part number	Qty
1	Paper pickup drive assembly	RM1-1760-020CN	1

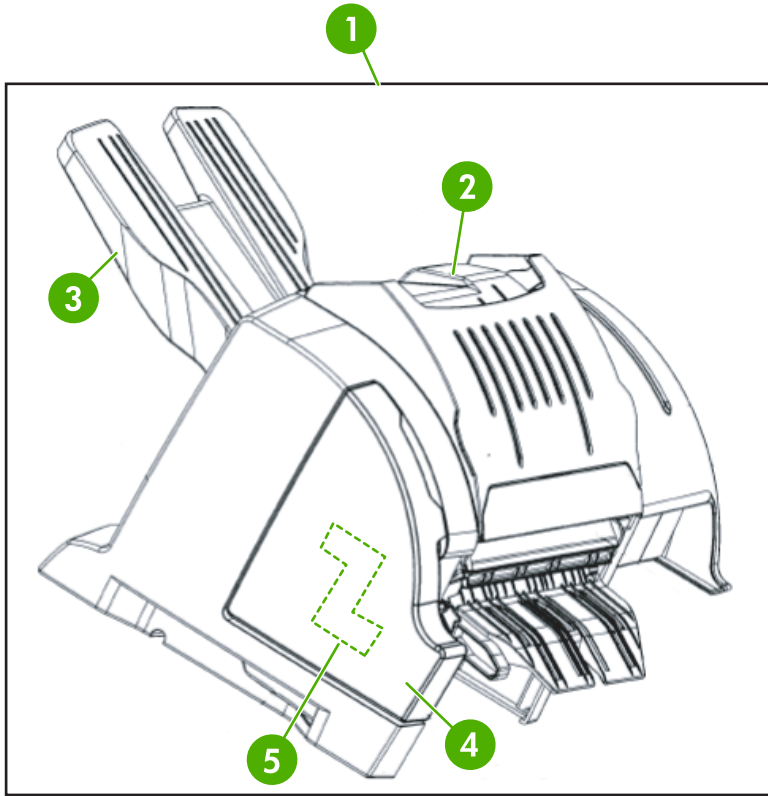


Figure 8-27 Stapler/stacker, 4700 models (1 of 2)

Table 8-30 Stapler/stacker, 4700 models (1 of 2)

Ref	Description	Part number	Qty
1	Stapler/stacker	Q7003-67908	1
2	Top cover	PF4138K066NI	1
3	Output tray	PF4138P231NI	1
4	Stapler cartridge cover, left	PF4138P309NI	1
5	Staple cartridge	C8085-60541	1

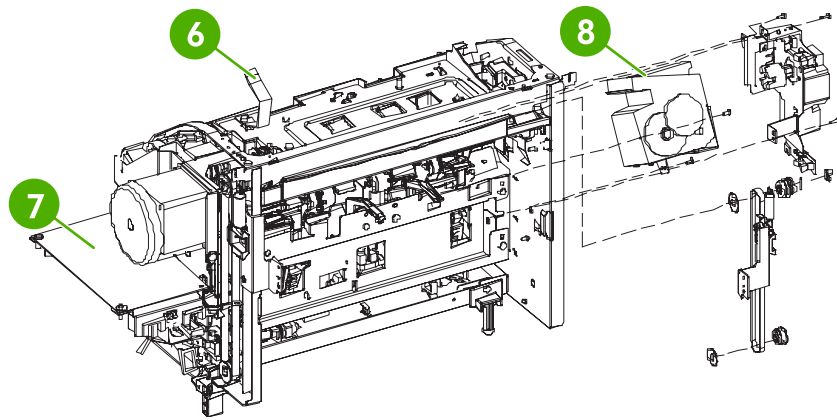


Figure 8-28 Stapler/stacker, 4700 models (2 of 2)

Table 8-31 Stapler/stacker, 4700 models (2 of 2)

Ref	Description	Part number	Qty
6	Roller lift strap	PF4138P563NI	1
7	PCB board	PF4138K203NI	1
8	Stapler unit assembly, 24V 2.5 Amp	PF4138K064NI	1