

---

# 8 Parts and diagrams

---

 **NOTE:** In this chapter, part numbers are only listed for available replaceable parts.

---

- [Order parts, accessories, and supplies](#)
- [Supplies part numbers](#)
- [Whole unit replacement](#)
- [How to use the parts lists and diagrams](#)
- [Scanner assembly](#)
- [Product base assembly locations](#)
- [Covers](#)
- [Internal assemblies](#)
- [Alphabetical parts list](#)
- [Numerical parts list](#)

## Order parts, accessories, and supplies


You can obtain the following items directly from HP:

- **Replacement parts:** To order replacement parts in the U.S., go to [www.hp.com/go/hpparts](http://www.hp.com/go/hpparts). Outside the United States, order parts by contacting your local authorized HP service center.
- **Supplies and accessories:** To order supplies in the U.S., go to [www.hp.com/go/ljsupplies](http://www.hp.com/go/ljsupplies). To order supplies worldwide, go to [www.hp.com/ghp/buyonline.html](http://www.hp.com/ghp/buyonline.html). To order accessories, go to [www.hp.com/support/CM1312series](http://www.hp.com/support/CM1312series).

# Supplies part numbers

**Table 8-1 Supplies**

Part	Part number	Type/size
Print cartridges	CB540A	Black print cartridge
	CB541A	Cyan print cartridge
	CB542A	Yellow print cartridge
	CB543A	Magenta print cartridge

 **NOTE:** For information about the yield for the cartridges, see [www.hp.com/go/pageyield](http://www.hp.com/go/pageyield). Actual yield depends on specific use.

**Table 8-2 Cable and interface accessories**

Part	Part number	Type/size
USB cables	C6518A	USB 2.0 printer cable (2-meter [6.5-foot] standard)
	C6520A	USB 2.0 printer cable (3-meter [9.8-foot] standard)
Fax cord	8121-0811	Two-wire phone cord adapter

**Table 8-3 User-replaceable parts**

Part	Part number	Type/size
Pickup roller assembly	5851-2559	Replace when the product ADF is picking up multiple sheets or no sheets. Trying different paper did not resolve the problem.
Automatic document feeder (ADF)	CC431-60131	Replace when the ADF is damaged or not working correctly.

# Whole unit replacement

If a lower-level replacement part is not available, use the tables in this section to find the engine replacement part number for a specific product bundle and localized configuration.

**Table 8-4 Whole unit replacement, product bundle CC430A (base models)**

Country/region	Replacement part number
Brazil	CC430-69001
Mexico	CC430-69002
Taiwan	CC430-69003
Singapore, Malaysia, Brunei, Vietnam, Australia, New Zealand	CC430-69004
Argentina, Chile, Peru	CC430-69005
Germany, France, Netherlands, Italy, Spain, Great Britain, Switzerland, Belgium, Portugal, South Africa, Middle East	CC430-69006
Norway, Sweden, Finland, Denmark	CC430-69007
Czech Republic, Slovakia, Poland, Hungary, Russia, Turkey, Croatia, Romania, Slovenia, Greece, Israel	CC430-69008
Korea, China, Thailand, Hong Kong SAR	CC430-69009

**Table 8-5 Whole unit replacement, product bundle CC431 (fax/memory-card models)**

Country/region	Replacement part number
Brazil	CC431-69001
Taiwan, Canada, United States, Mexico	CC431-69002
Argentina, Chile, Peru	CC431-69003
Singapore, Malaysia	CC431-69004
All other unlisted 220V Asian-Pacific countries/regions	CC431-69005
All European Union countries/regions	CC431-69006

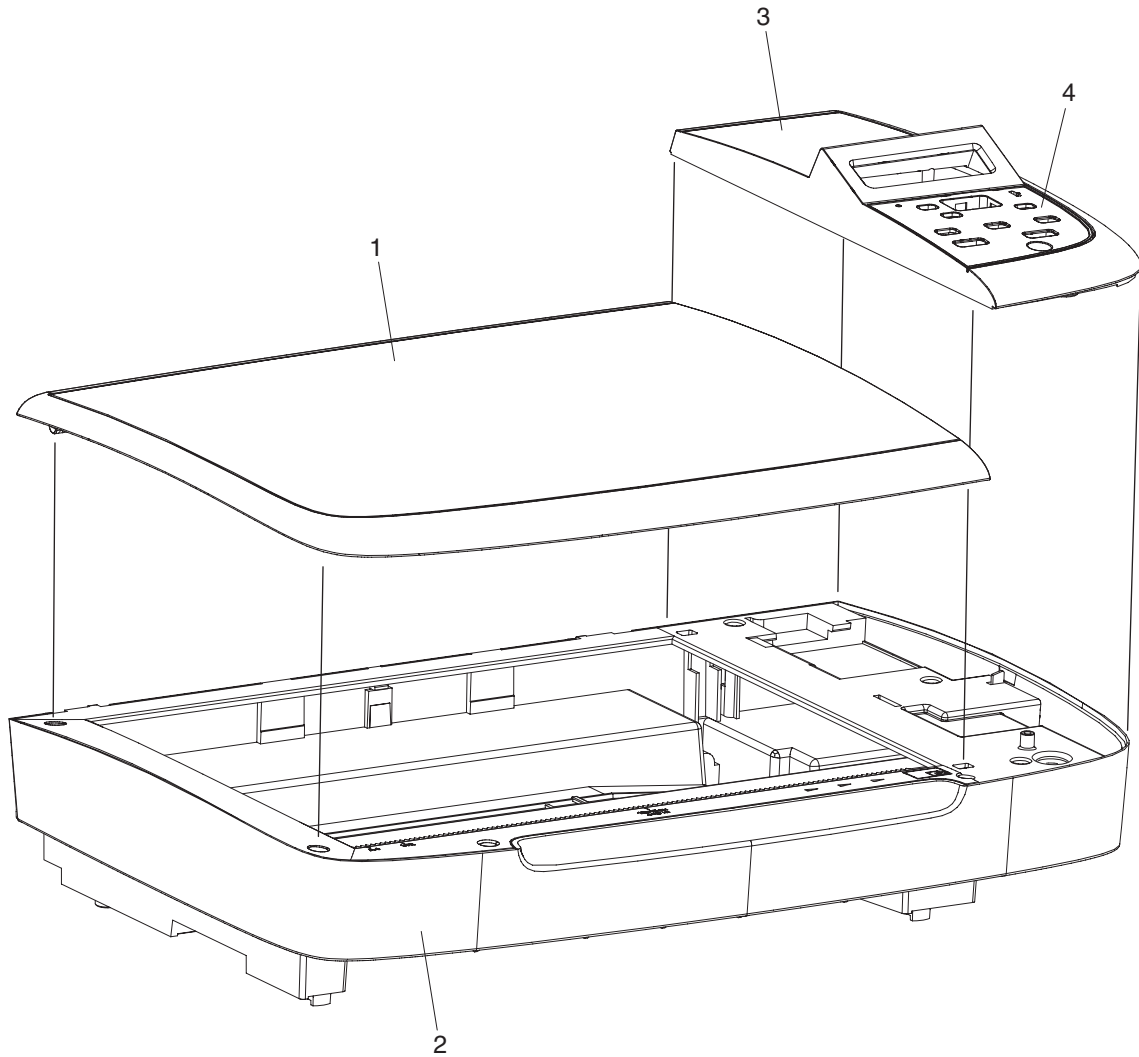
## How to use the parts lists and diagrams

The figures in this chapter show the major subassemblies in the product and their component parts. A parts list table follows each exploded view assembly diagram. Each table lists the item number, the associated part number, and the description of each part. If a part is not listed in the table, then it is not a field replacement unit (FRU).

- 
- △ **CAUTION:** Be sure to order the correct part. When looking for part numbers for electrical components, pay careful attention to the voltage that is listed in the description column. Doing so will ensure that the part number selected is for the correct all-in-one model.
- 📄 **NOTE:** In this manual, the abbreviation “PCA” stands for “printed circuit-board assembly.” Components described as a PCA might consist of a single circuit board or a circuit board plus other parts, such as cables and sensors.
-

# Scanner assembly

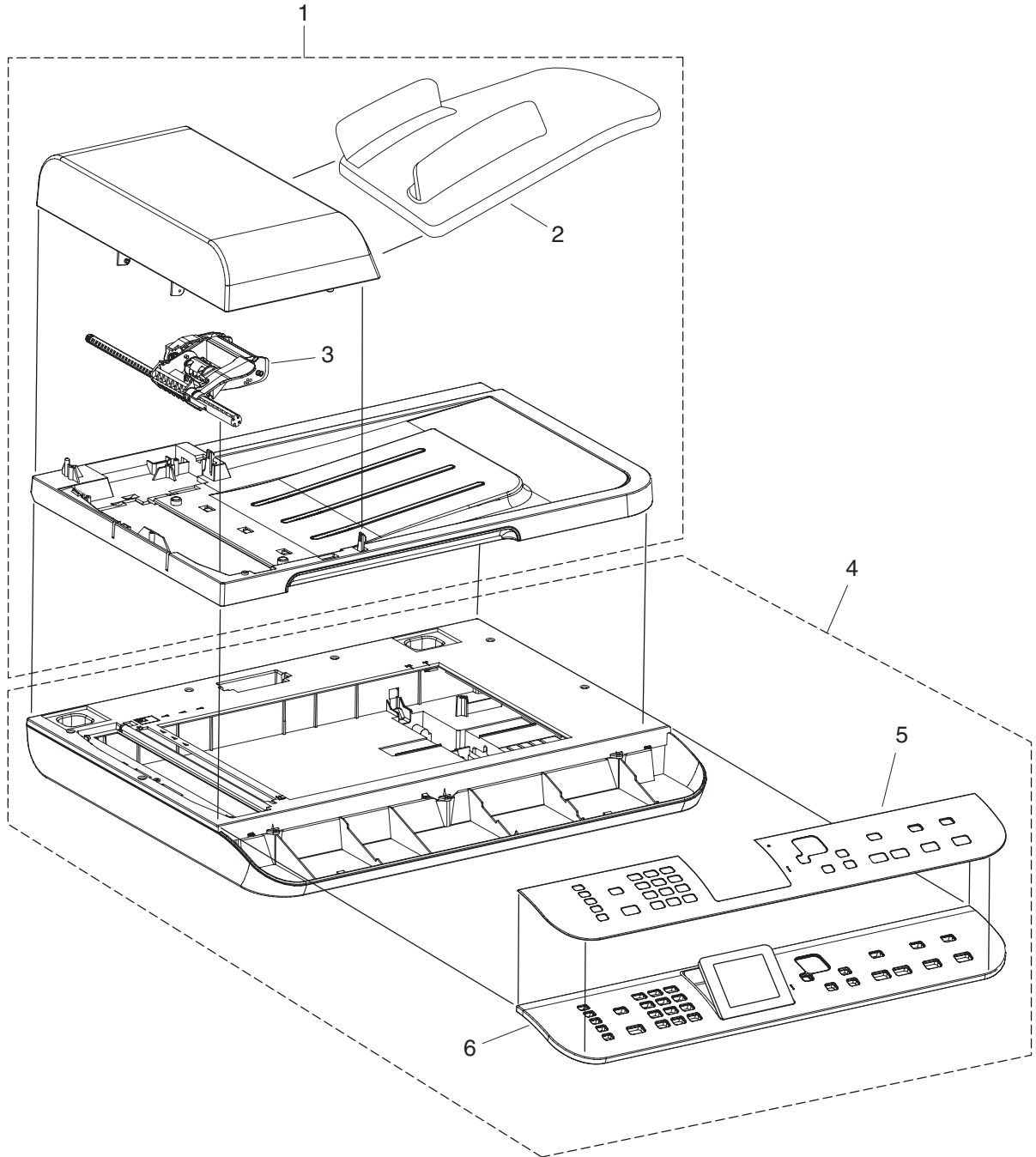
Figure 8-1 Scanner assembly (base models)



**Table 8-6 Scanner assembly (base models)**

Ref	Description	Part number	Qty
1	Scanner lid	CC430-60109	1
2	Scanner base	CC430-60110	1
3	Control-panel assembly (Western)	CC430-60101	1
3	Control-panel assembly (Asian)	CC430-60102	1
4	Control-panel overlay, English	CC430-00002	1
4	Control-panel overlay, Spanish	CC430-00003	1
4	Control-panel overlay, Portuguese	CC430-00004	1
4	Control-panel overlay, German	CC430-00005	1
4	Control-panel overlay, French	CC430-00006	1
4	Control-panel overlay, Dutch	CC430-00007	1
4	Control-panel overlay, Italian	CC430-00008	1
4	Control-panel overlay, Swedish	CC430-00009	1
4	Control-panel overlay, Norwegian	CC430-00010	1
4	Control-panel overlay, Finnish	CC430-00011	1
4	Control-panel overlay, Danish	CC430-00012	1
4	Control-panel overlay, Russian	CC430-00013	1
4	Control-panel overlay, Czech	CC430-00014	1
4	Control-panel overlay, Hungarian	CC430-00015	1
4	Control-panel overlay, Polish	CC430-00016	1
4	Control-panel overlay, Slovak	CC430-00017	1
4	Control-panel overlay, Turkish	CC430-00018	1
4	Control-panel overlay, Greek	CC430-00019	1
4	Control-panel overlay, Hebrew	CC430-00020	1
4	Control-panel overlay, Arabic	CC430-00021	1
4	Control-panel overlay, Chinese, traditional	CC430-00022	1
4	Control-panel overlay, Korean	CC430-00023	1
4	Control-panel overlay, Chinese, simplified	CC430-00024	1
4	Control-panel overlay, Thai	CC430-00025	1
4	Control-panel overlay, Vietnamese	CC430-00026	1

**Figure 8-2** Scanner assembly (fax/memory-card models)



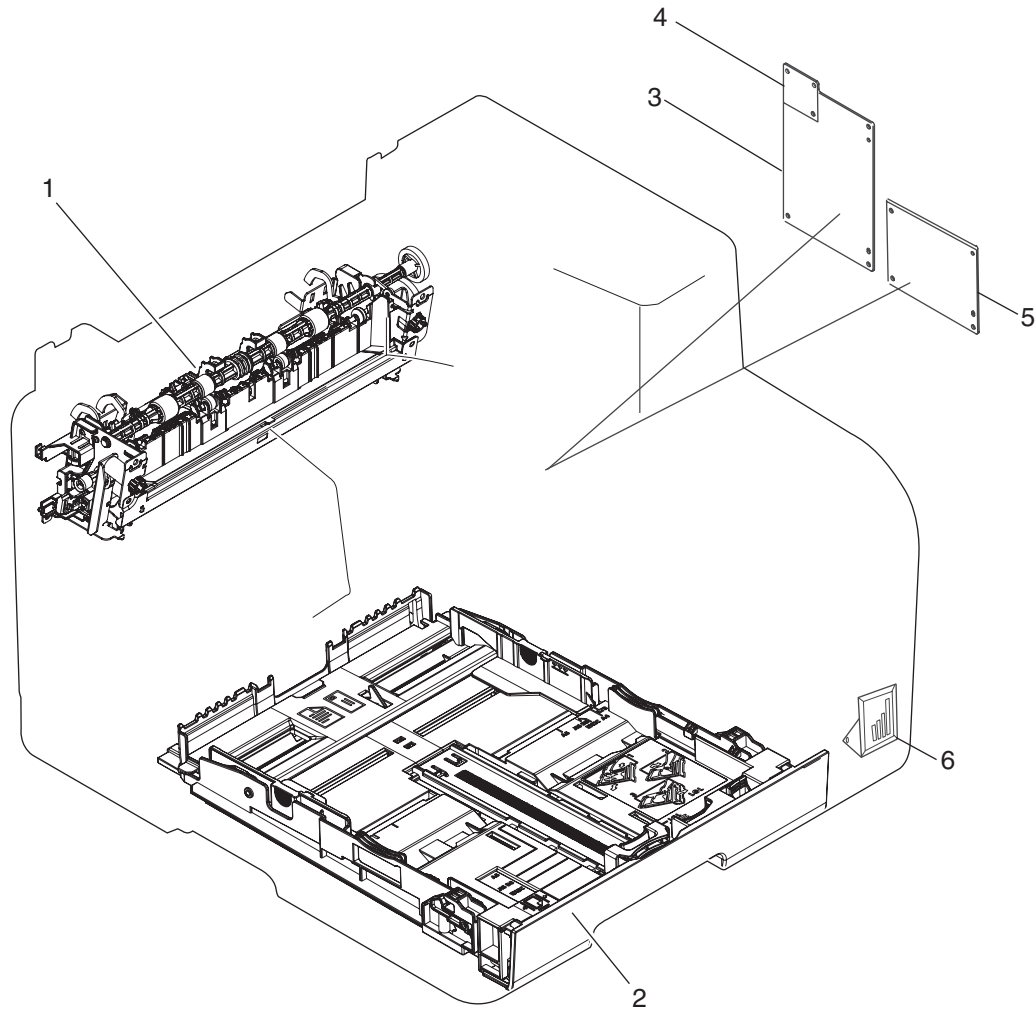


**Table 8-7 Scanner assembly (fax/memory-card models)**

Ref	Description	Part number	Qty
1	Automatic document feeder (ADF) assembly	CC431-60131	1
2	ADF input tray	CC431-60119	1
3	ADF pickup roller assembly	5851-2559	1
4	Scanner assembly	CC431-60113	1
5	Control-panel bezel, English	CC431-00002	1
5	Control-panel bezel, Spanish	CC431-00003	1
5	Control-panel bezel, Portuguese	CC431-00004	1
5	Control-panel bezel, German	CC431-00005	1
5	Control-panel bezel, French	CC431-00006	1
5	Control-panel bezel, Dutch	CC431-00007	1
5	Control-panel bezel, Italian	CC431-00008	1
5	Control-panel bezel, Swedish	CC431-00009	1
5	Control-panel bezel, Norwegian	CC431-00010	1
5	Control-panel bezel, Finnish	CC431-00011	1
5	Control-panel bezel, Danish	CC431-00012	1
5	Control-panel bezel, Russian	CC431-00013	1
5	Control-panel bezel, Czech	CC431-00014	1
5	Control-panel bezel, Hungarian	CC431-00015	1
5	Control-panel bezel, Polish	CC431-00016	1
5	Control-panel bezel, Slovak	CC431-00017	1
5	Control-panel bezel, Turkish	CC431-00018	1
5	Control-panel bezel, Greek	CC431-00019	1
5	Control-panel bezel, Hebrew	CC431-0020	1
5	Control-panel bezel, Arabic	CC431-00021	1
5	Control-panel bezel, Chinese, traditional	CC431-00022	1
5	Control-panel bezel, Korean	CC431-00023	1
5	Control-panel bezel, Chinese, simplified	CC431-00024	1
5	Control-panel bezel, Thai	CC431-00025	1
5	Control-panel bezel, Vietnamese	CC431-00026	1
6	Control-panel assembly	CC431-60101	1

# Product base assembly locations

Figure 8-3 Assembly locations

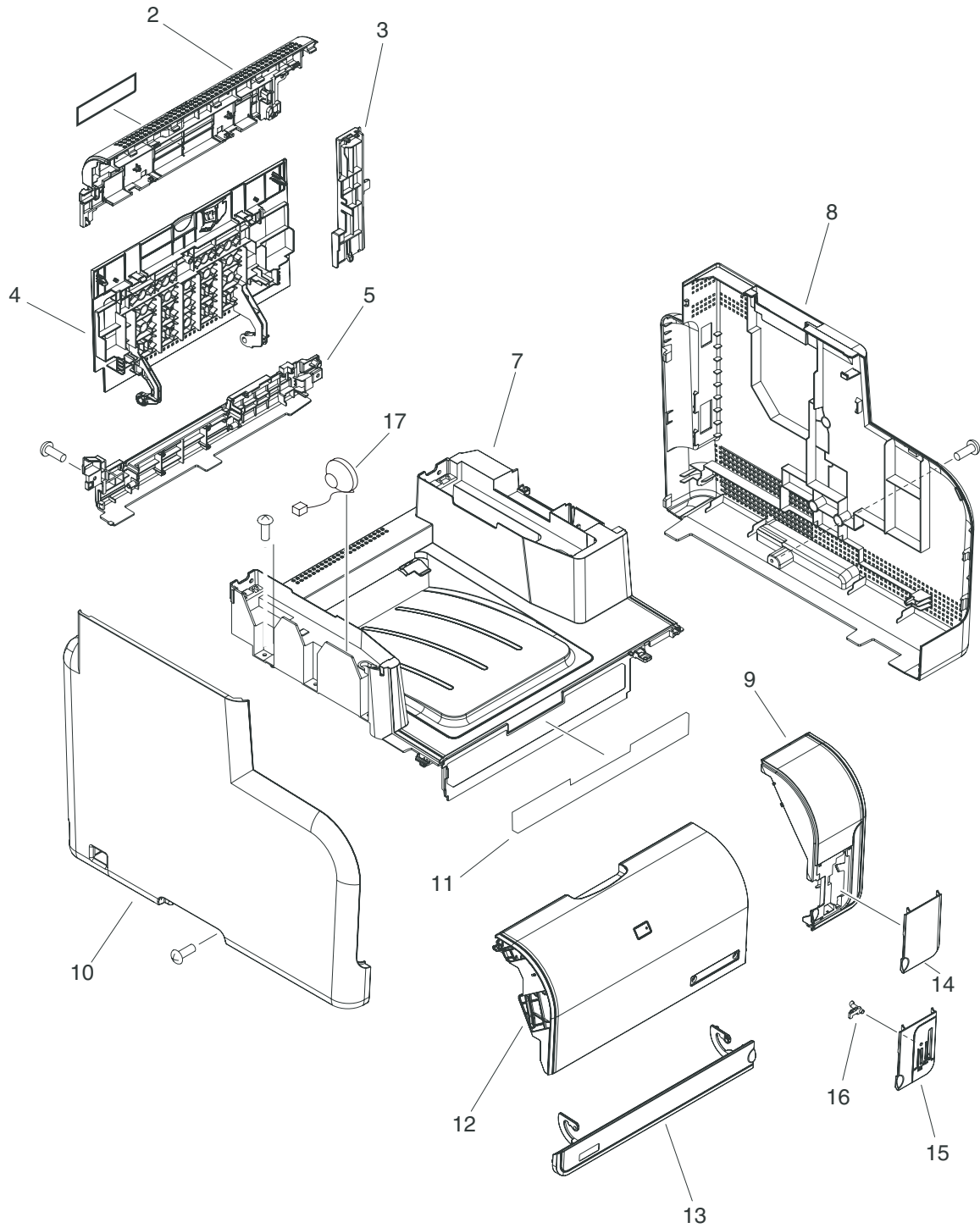


**Table 8-8 Assembly locations**

Ref	Description	Part number	Qty
1	Fuser assembly (110-127 V)	RM1-4430-000CN	1
1	Fuser assembly (120-240 V)	RM1-4431-000CN	1
2	Paper input cassette	RM1-4922-000CN	1
3	Formatter, fax/memory-card models	CC398-60001	1
4	DAA (fax card), Americas/Asia (fax/memory-card models only)	CC367-60001	1
4	DAA (fax card), Europe (fax/memory-card models only)	CC514-60002	1
5	Formatter, base models	CC397-60001	1
6	Memory-card assembly (fax/memory-card models only)	CC401-60001	1
	Bandana [not shown (Asia only)]	CC371-60001	1
	Formatter bracket, fax/memory-card models (not shown)	CC431-00002	1
	Formatter grounding plate, fax/memory-card models (not shown)	CC431-00006	1
	Formatter bracket, base models (not shown)	CC430-00027	1
	DAA flat flexible cable (not shown)	5851-3054	1
	Memory card cable guide	CC431-40047	1

# Covers

Figure 8-4 External panels and covers

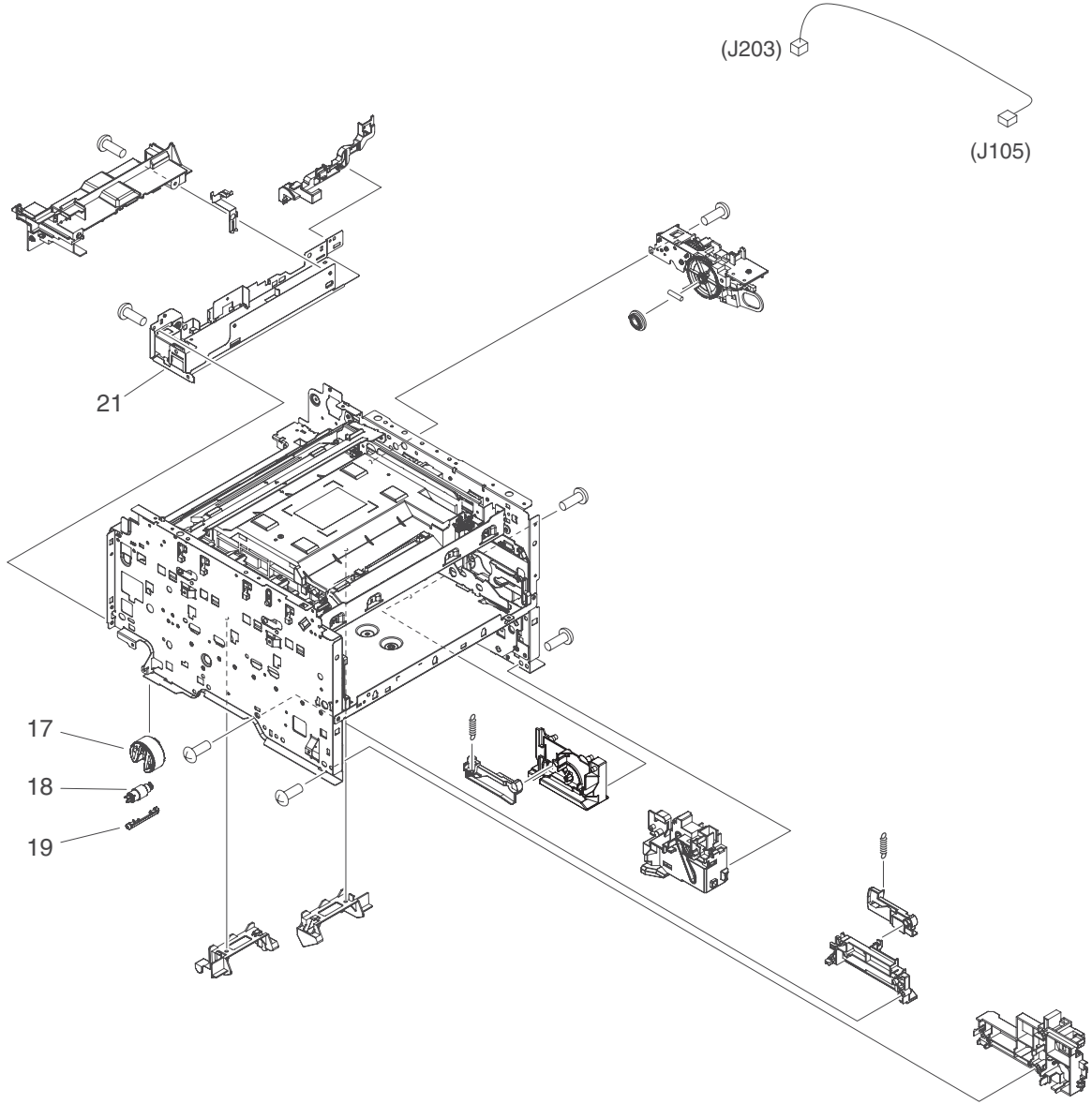


**Table 8-9 External panels and covers**

Ref	Description	Part number	Qty
2	Rear upper cover	RC2-3942-000CN	1
3	Rear center cover	RC2-3959-000CN	1
4	Rear door	RC2-3956-000CN	1
5	Rear lower cover	RC2-3958-000CN	1
7	Upper cover assembly	RM1-4921-000CN	1
8	Right cover	RC2-3943-000CN	1
9	Front right cover	RC2-3945-000CN	1
10	Left cover	RC2-3944-000CN	1
12	Front door	RC2-3955-000CN	1
13	Front lower cover	RL1-1832-000CN	1
14	Blanking cover	RC2-3957-000CN	1
15	Card cover	RC2-3951-000CN	1
	Memory card bezel (not shown)	CC431-40057	1
16	Light guide	RC2-3098-000CN	1
17	Speaker	Q3948-60113	1

# Internal assemblies

Figure 8-5 Internal components (1 of 4)



**Table 8-10 Internal components (1 of 4)**

<b>Ref</b>	<b>Description</b>	<b>Part number</b>	<b>Qty</b>
17	Pickup roller assembly	RM1-4426-000CN	1
18	Separation roller assembly	RM1-4425-000CN	1
19	Holder cover	RC2-2014-000CN	1
21	Fusing power supply assembly (110-127V)	RM1-4776-000CN	1
21	Fusing power supply assembly (220-240V)	RM1-4777-000CN	1

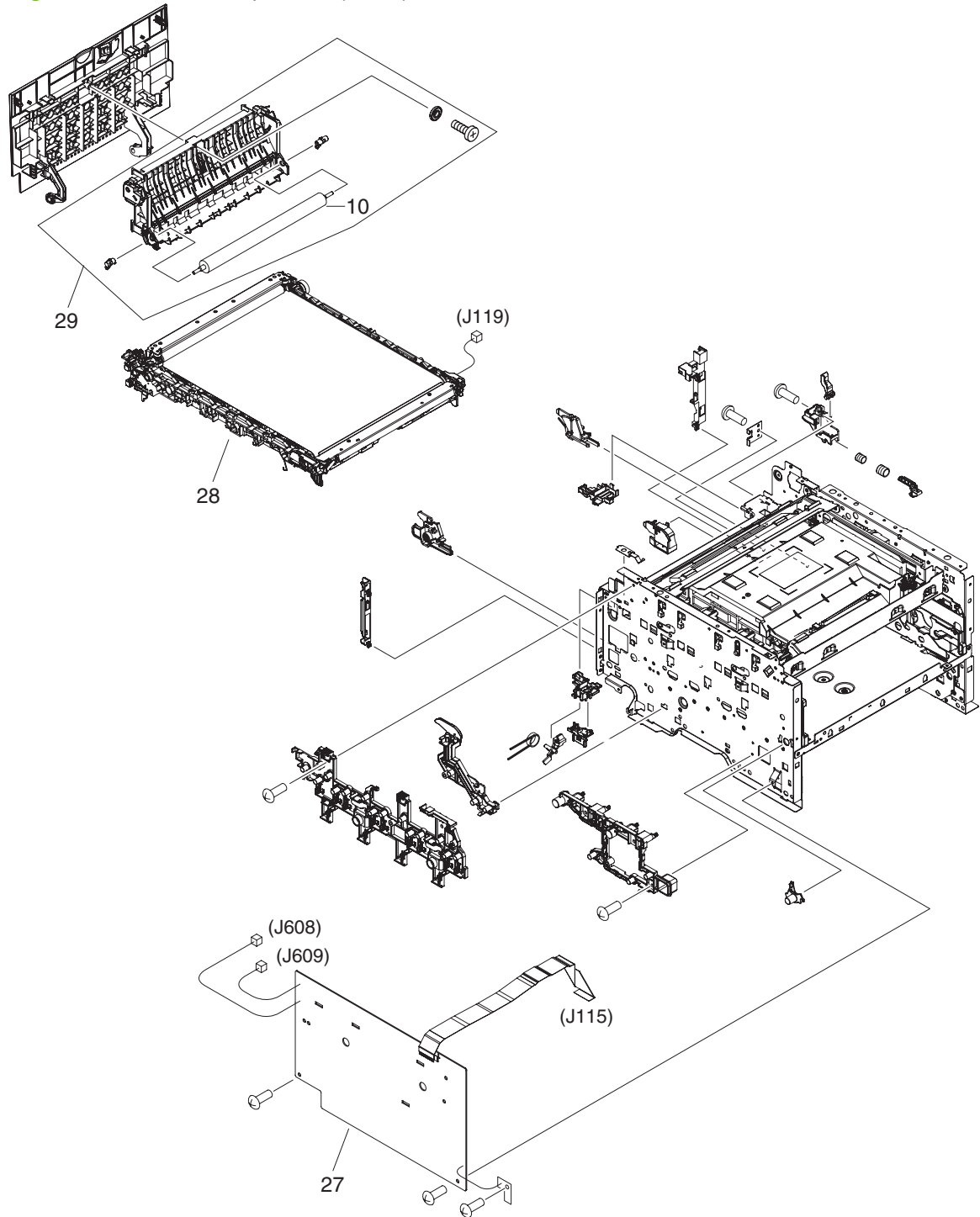




**Table 8-11 Internal components (2 of 4)**

<b>Ref</b>	<b>Description</b>	<b>Part number</b>	<b>Qty</b>
8	Screw, RS, M3x8	XA9-1449-000CN	4
9	Screw, M3x8	XA9-1671-000CN	29
11	Low-voltage power supply assembly (110-127V)	RM1-5315-000CN	1
11	Low-voltage power supply assembly (220-240V)	RM1-5316-000CN	1
12	DC controller PCA assembly	RM1-5313-000CN	1
13	Flat cable	RK2-1955-000CN	1

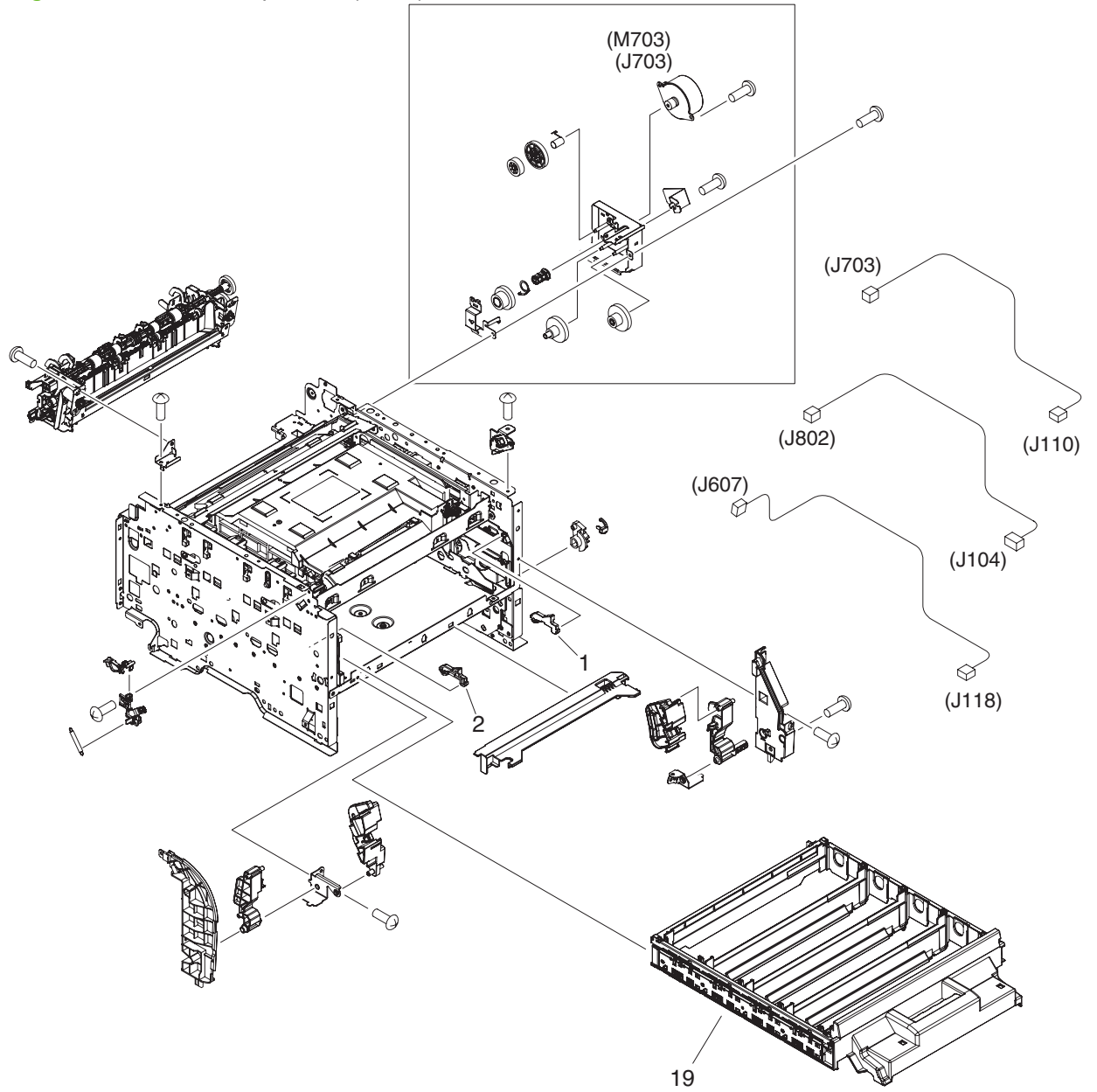
Figure 8-7 Internal components (3 of 4)



**Table 8-12 Internal components (3 of 4)**

<b>Ref</b>	<b>Description</b>	<b>Part number</b>	<b>Qty</b>
10	Second transfer roller assembly	RM1-4445-000CN	1
27	High-voltage power supply PCA assembly	RM1-4689-000CN	1
28	Intermediate transfer belt assembly	RM1-4436-000CN	1
29	Transfer/paper guide assembly	CC430-67902	1

Figure 8-8 Internal components (4 of 4)



**Table 8-13 Internal components (4 of 4)**

<b>Ref</b>	<b>Description</b>	<b>Part number</b>	<b>Qty</b>
1	Cartridge tray clamp, right	RC2-3109-000CN	1
2	Cartridge tray clamp, left	RC2-3108-000CN	1
19	Cartridge tray assembly	RM1-4428-000CN	1