

7 Parts and diagrams

- [Ordering parts and supplies](#)
- [External panels and covers](#)
- [Internal components](#)
- [Paper-pickup drive assembly](#)
- [Duplexing-feed drive assembly \(duplex models\)](#)
- [Duplexing reverse-drive assembly \(duplex models\)](#)
- [Developing separation-drive assembly](#)
- [Fuser drive assembly](#)
- [Cassette \(tray 2\)](#)
- [Paper-pickup assembly \(HP CLJ 3600/3800\)](#)
- [Paper-pickup assembly \(HP CLJ 3000\)](#)
- [Electronic transfer belt \(simplex models\)](#)
- [Electronic transfer belt \(duplex models\)](#)
- [Multipurpose tray assembly \(tray 1\)](#)
- [Duplex-paper feed assembly \(duplex models\)](#)
- [Fuser](#)
- [PCAs](#)
- [500-sheet feeder cassette \(tray 3\)](#)
- [500-sheet feeder paper-pickup assembly](#)
- [500-sheet feeder PCA](#)
- [Alphabetical parts list](#)
- [Numerical parts list](#)

Ordering parts and supplies

This section describes Web resources for ordering parts and for technical support and resources for ordering related documentation and software.

Parts

Order replacement parts from the following Web sites:

- www.hp.com/ssg/parts/direct_order.html
- HP Parts Store: www.hp.com/buy/parts
- Partsurfer: www.partsurfer.hp.com
- HP Parts Portal: www.hp.com/go/HPparts

How to use the parts lists and diagrams

The figures in this chapter show the major subassemblies in the printer and their component parts. A parts list table follows each exploded-view assembly diagram. Each table lists the item number, the associated part number, and the description of each part. If a part is not listed in the table, then it is not a field replacement unit (FRU).

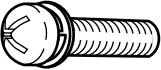
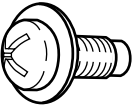
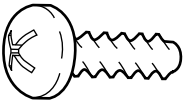


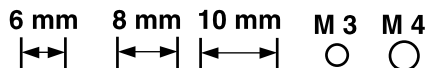
CAUTION Be sure to order the correct part. When looking for part numbers for electrical components, pay careful attention to the voltage that is listed in the description column to ensure that the part number selected is for the correct printer model.



NOTE In this manual, the abbreviation “PCA” stands for “printed circuit board assembly.” components described as a PCA might consist of a single circuit board or a circuit board plus other parts, such as cables and sensors.

Types of screws

Illustration	Description	Size	Part Number	Use
	Screw w/washer	M3X8	XA9-1420-000CN	Used to secure metal components to metal components (for example, a ground wire to the frame)
	Screw, RS	M3X6 M3X10	XA9-1499-000CN	Used to secure metal to metal
	Screw, tapping, truss head	M4X10	XB4-7401-000CN	Used to secure anything to plastic



Related documentation and software

Table 7-1 Technical support Web sites

HP Customer Care Online	www.hp.com/go/support
Software drivers, support documentation, and answers to frequently asked questions	
HP Technical Training (North America)	www.hp.com/go/resellertraining
Classes and schedules	

Accessories and supplies

Table 7-2 Accessories and supplies

Item	Part number	Service/exchange number	Description
Memory (DIMMs)	Q7721A	Q7721-67951	Synchronous 128 MB DDR SDRAM DIMM
(HP Color LaserJet 3000/3800 Series only)	Q7722A	Q7722-67951	Synchronous 256 MB DDR SDRAM DIMM
	Q7723A	Q7723-67951	Synchronous 512 MB DDR SDRAM DIMM
	Q5985A	Q5985-67901	Optional accessory
Internal (EIO) connectivity for the HP Color LaserJet 3000 and 3800 Series printers	J6073A		HP EIO high-performance hard disk
	J7934A		HP Jetdirect 620n print server (10/100-TX Ethernet)
	J7960A		HP Jetdirect 625n print server (10/100/1000T Ethernet)
	J7961A		HP Jetdirect 635n IPv6/IPsec/Gigabit print server
	J7972G		HP 1284 parallel card
	J6035D/G		HP Jetdirect 175x print server (fast Ethernet, value feature set, 10/100-TX, USB 1.1)
	J7942A		HP Jetdirect en3700 print server (fast Ethernet, 10/100-TX, USB 2.0)
	J7951A		HP Jetdirect ew2400 wired/wireless print server (fast Ethernet, value feature set, USB 2.0)
Printer supplies for the HP Color LaserJet 3000 Series printer	Q7560A	Q7560-67901	Black print cartridge
	Q7561A	Q7561-67901	Cyan print cartridge
	Q7562A	Q7562-67901	Yellow print cartridge
	Q7563A	Q7563-67901	Magenta print cartridge

Table 7-2 Accessories and supplies (continued)

Item	Part number	Service/exchange number	Description
Printer supplies for the HP Color LaserJet 3600 Series printer	Q6470A	Q6470-67901	Black print cartridge
	Q6471A	Q6471-67901	Cyan print cartridge
	Q6472A	Q6472-67901	Yellow print cartridge
	Q6473A	Q6473-67901	Magenta print cartridge
Printer supplies for the HP Color LaserJet 3800 Series printer	Q6470A	Q6470-67901	Black print cartridge
	Q7581A	Q7581-67901	Cyan print cartridge
	Q7582A	Q7582-67901	Yellow print cartridge
	Q7583A	Q7583-67901	Magenta print cartridge
Cable	C6518A		USB 2.0 printer cable (2-meter [6.5-foot] standard)
Media	C2934A		50 sheets
			HP Color LaserJet Transparencies (letter)
	C2936A		50 sheets
			HP Color LaserJet Transparencies (A4)
	Q2419A		50 sheets
			HP LaserJet High Gloss paper (letter)
	C4179A		200 sheets
			HP LaserJet High Gloss paper (letter)
	C4179B		200 sheets
			HP LaserJet High Gloss paper (A4)
	Q1298A		HP LaserJet Tough paper (letter)
	Q1298B		HP LaserJet Tough paper (A4)
	HPU1132		HP Premium Choice LaserJet paper (letter)
CHP410		HP Premium Choice LaserJet paper (A4)	
HPJ1124		HP LaserJet paper (letter)	
CHP310		HP LaserJet paper (A4)	
Reference, service, and training materials	5851-1468		<i>HP LaserJet Printer Family Print Media Specification Guide</i>
	5021-0337		<i>PCL/PLJ Technical Reference Package</i>

Table 7-2 Accessories and supplies (continued)

Item	Part number	Service/exchange number	Description
			For downloadable versions, go to www.hp.com/support/clj3000 , www.hp.com/support/clj3600 , or www.hp.com/support/clj3800 . When connected, select Manuals .
Service and training CD		Q5982-14006	CD based service and training information
Assembly, service, and training CD		Q5982-60113	CD based service and training information (English)
Service manual (this manual)		Q5982-90946	Printed copy of this manual
Control-panel overlays		Q7533-60112	German, French, Italian
(HP Color LaserJet 3000 Series only)		Q7533-60113	Spanish, Dutch, Portuguese, Catalan
		Q7533-60114	Finnish, Norwegian, Swedish, Slovak
		Q7533-60115	Czech, Hungarian, Polish
Control-panel overlays		Q5982-60107	French, Spanish, Portuguese
(HP Color LaserJet 3600/3800 Series only)		Q5982-60108	German, French, Italian
		Q5982-60109	Spanish, Dutch, Portuguese, Catalan
		Q5982-60110	Finnish, Norwegian, Swedish, Slovak
		Q5982-60111	Czech, Hungarian, Polish
Formatter	Q5982-67907		base and N models (new)
HP Color LaserJet 3000 Series		Q5982-69001	base and N models (exchange)
	Q5982-67908		DN and DTN models (new)
		Q5982-69002	DN and DTN models (exchange)
Formatter	Q5982-67907		base and N models (new)
HP Color LaserJet 3800 Series		Q5982-69001	base and N models (exchange)
	Q5982-67908		DN and DTN models (new)
		Q5982-69002	DN and DTN models (exchange)
I controller (formatter)	Q5987-67901		I controller
HP Color LaserJet 3600 Series only			
Power cord	8120-5301		Power cord, OPT-903 3-COND 1.9-M-LG ROHS (110v)

Table 7-2 Accessories and supplies (continued)

Item	Part number	Service/exchange number	Description
------	-------------	-------------------------	-------------

External panels and covers

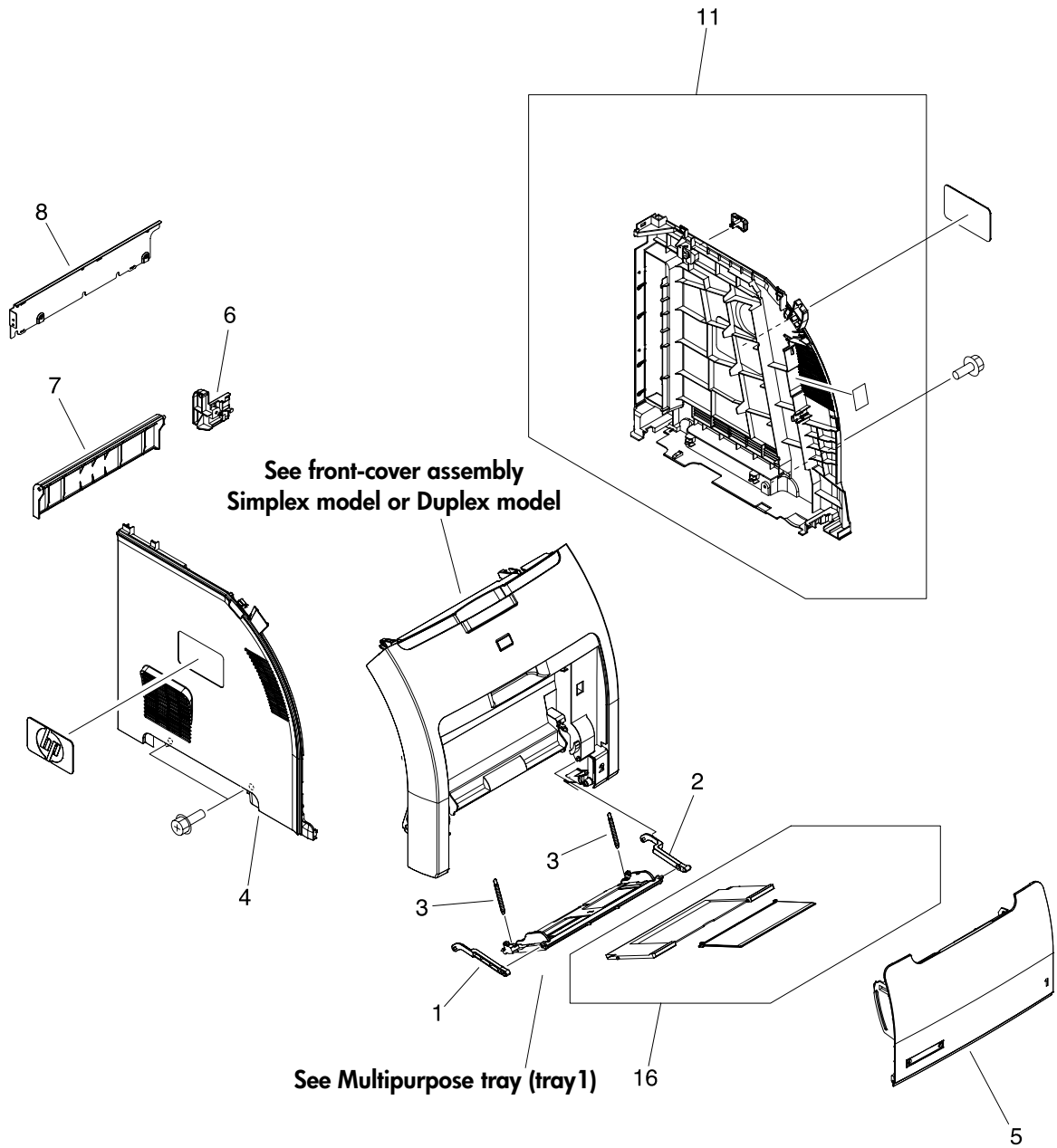


Figure 7-1 External panels and covers (1 of 2)

Table 7-3 External panels and covers (1 of 2)

Ref	Description	Part number	Qty
1	Link, multipurpose tray (tray 1) hinge left	RC1-6381-000CN	1
2	Link, multipurpose tray (tray 1) hinge right	RC1-6382-000CN	1
3	Spring, tension	RC1-6383-000CN	2
4	Cover, left	RC1-6687-000CN	1
5	Cover, multipurpose tray (tray 1)	RC1-6690-000CN	1
6	Cover, cassette rear right (hinge)	RC1-6691-000CN	1
7	Cover, cassette rear left	RC1-6792-000CN	1
8	Cover, rear lower	RC1-7550-000CN	1
11	Cover, right	RM1-2669-000CN	1
16	Multipurpose tray (tray 1) extension tray assembly	RM1-2710-000CN	1

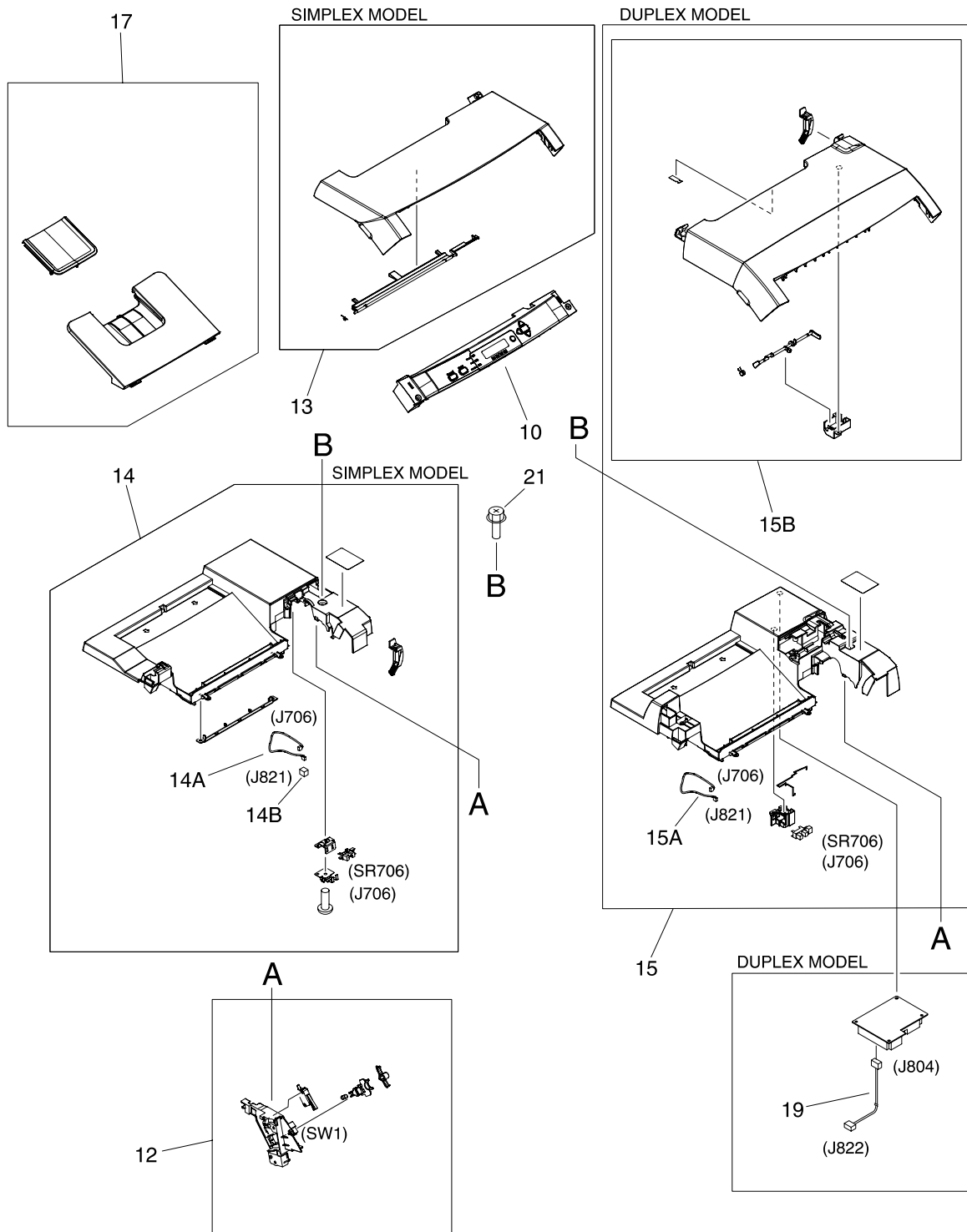


Figure 7-2 External panels and covers (2 of 2)

Table 7-4 External panels, and covers (2 of 2)

Ref	Description	Part number	Qty
12	Interlock-switch assembly	RM1-2670-000CN	1
13	Upper cover assembly (fuser door) (simplex models)	RM1-2671-000CN	1
14	Top-cover assembly (simplex models)	RM1-2672-000CN	1
14A	Cable, paper-full (simplex models)	RM1-2630-000CN	1
14B	Connector, snap-tight (simplex models)	VS1-7207-003CN	1
15	Top-cover assembly (duplex models)	RM1-2713-000CN	1
15A	Cable, paper-full (duplex models)	RM1-2620-000CN	1
15B	Upper cover assembly (fuser door) (duplex models)	RM1-2714-000CN	1
17	Face-down tray assembly (HP CLJ 3000)	RM1-2777-000CN	1
17	Face-down tray assembly (HP CLJ 3600/3800)	RM1-2750-000CN	1
19	Cable, duplexing (duplex models)	RM1-2617-000CN	1

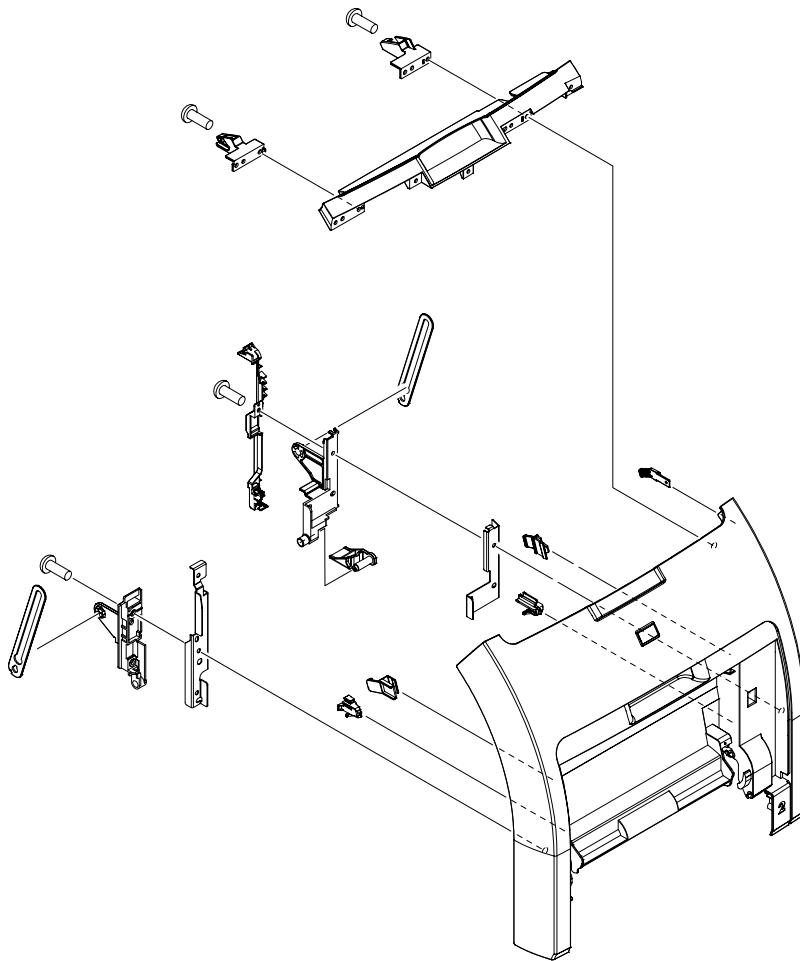


Figure 7-3 Front-cover assembly (simplex model)

Table 7-5 Front-cover assembly (simplex model)

Ref	Description	Part number	Qty
All	Front-cover assembly (simplex models)	RM1-2673-000CN	1

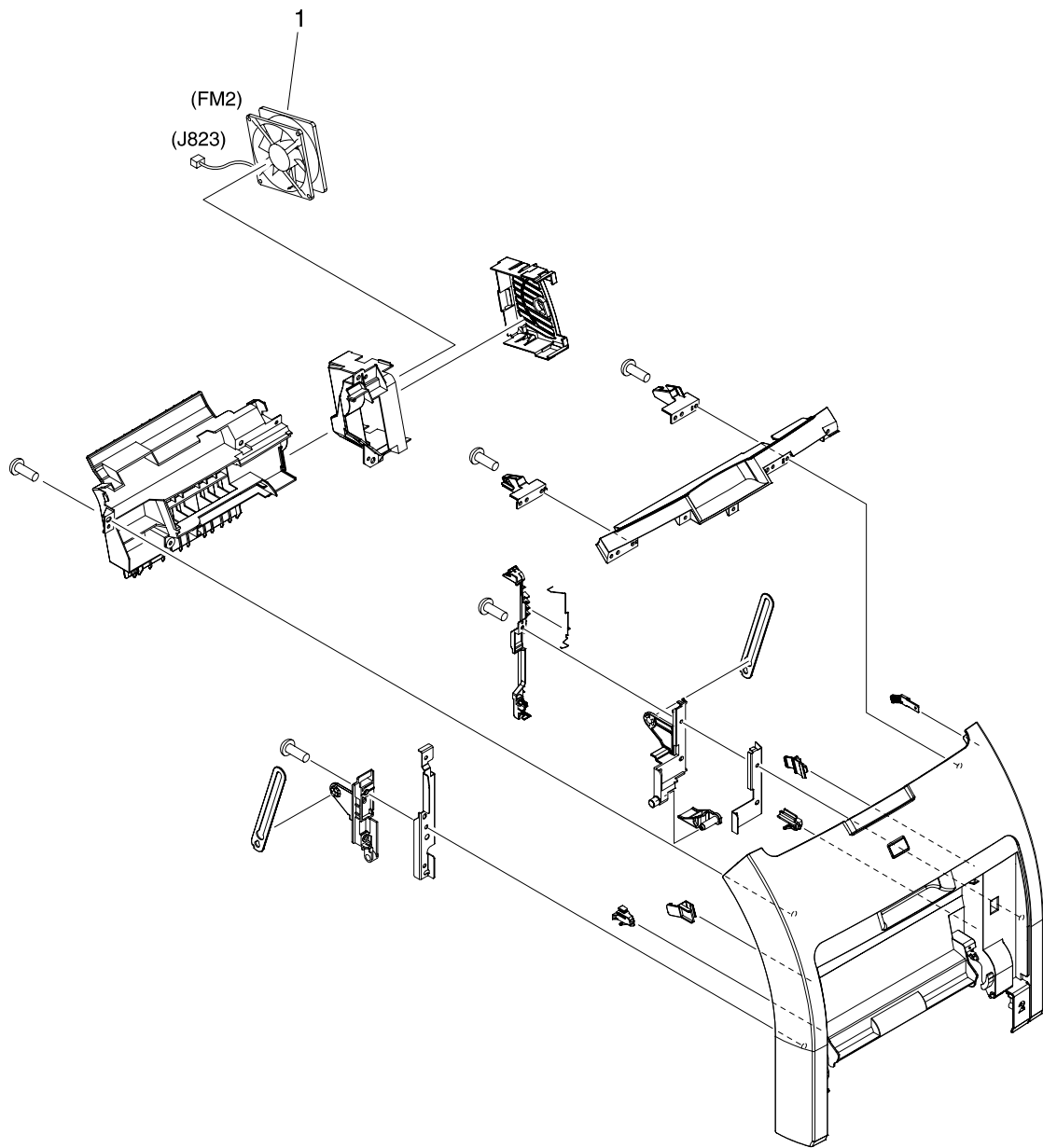


Figure 7-4 Front-cover assembly (duplex model)

Table 7-6 Front-cover assembly (duplex model)

Ref	Description	Part number	Qty
All	Front-cover assembly (duplex models)	RM1-2715-000CN	1
1	Fan (duplex models)	RK2-0954-000CN	1

Internal components

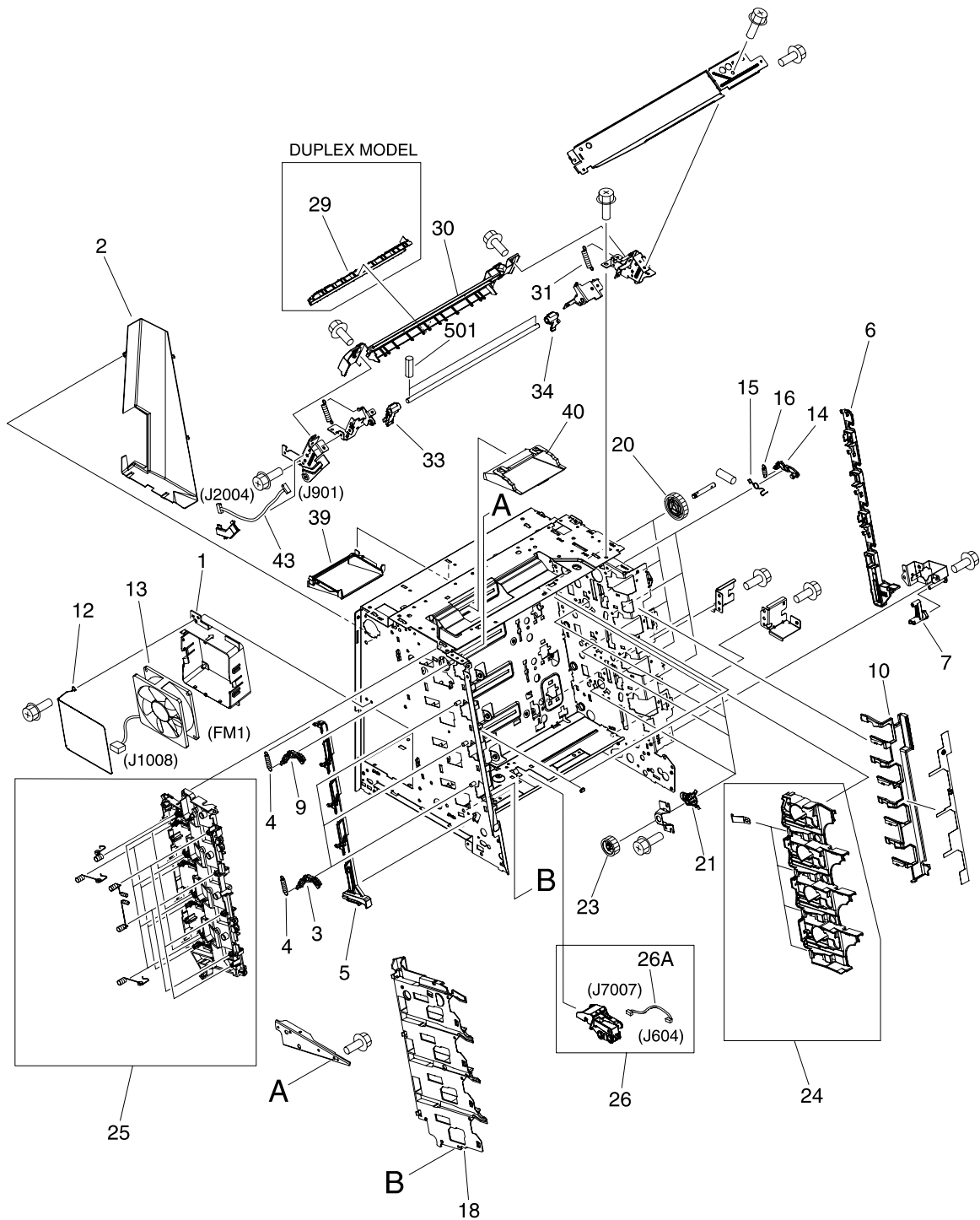


Figure 7-5 Internal components (1 of 5)

Table 7-7 Internal components (1 of 5)

Ref	Description	Part number	Qty
1	Holder, fan	RC1-6631-000CN	1
2	Duct, fan	RC1-6632-000CN	1
3	Lever lock, left	RC1-6633-000CN	3
4	Spring, tension	RC1-6636-000CN	4
5	Lever, lock slide, left	RC1-6636-000CN	1
6	Lever, lock slide, right	RC1-6643-000CN	1
7	Cam, slide, right	RC1-6645-000CN	1
9	Lever, lock, left upper	RC1-7618-000CN	1
10	Cover, slide plate, right	RC1-6824-000CN	1
12	Spring, grounding	RC1-7583-000CN	1
13	Fan	RK2-0954-000CN	1
14	Lever, lock, right	RC1-6640-000CN	4
15	Spring, grounding	RC1-6641-000CN	4
16	Spring, tension	RC1-6677-000CN	4
18	Guide, cartridge, left	RC1-6629-000CN	1
20	Gear, 58T	RC1-6571-000CN	4
21	Bushing	RC1-6573-000CN	4
23	Gear, 29T	RC1-6575-000CN	4
24	Cartridge, guide, right assembly	RM1-2771-000CN	1
25	Contact-holder assembly	RM1-2683-000CN	1
26	Media-sensor cassette assembly (HP CLJ 3600/3800)	RM1-2684-000CN	1
26A	Cable, media sensor cassette assembly (HP CLJ 3600/3800)	RM1-2589-000CN	1
29	Guide, duplexing external (duplex models)	RC1-6744-000CN	1
30	Cover, guide crossmember	RC1-6795-000CN	1
31	Spring, tension	RC1-7552-000CN	2
33	Latch, left	RC1-7554-000CN	1
34	Latch, right	RC1-7555-000CN	1
39	Duct, 2	RC1-7547-000CN	1
40	Duct, 3	RC1-7548-000CN	1
43	Cable, panel	RM1-2596-000CN	1

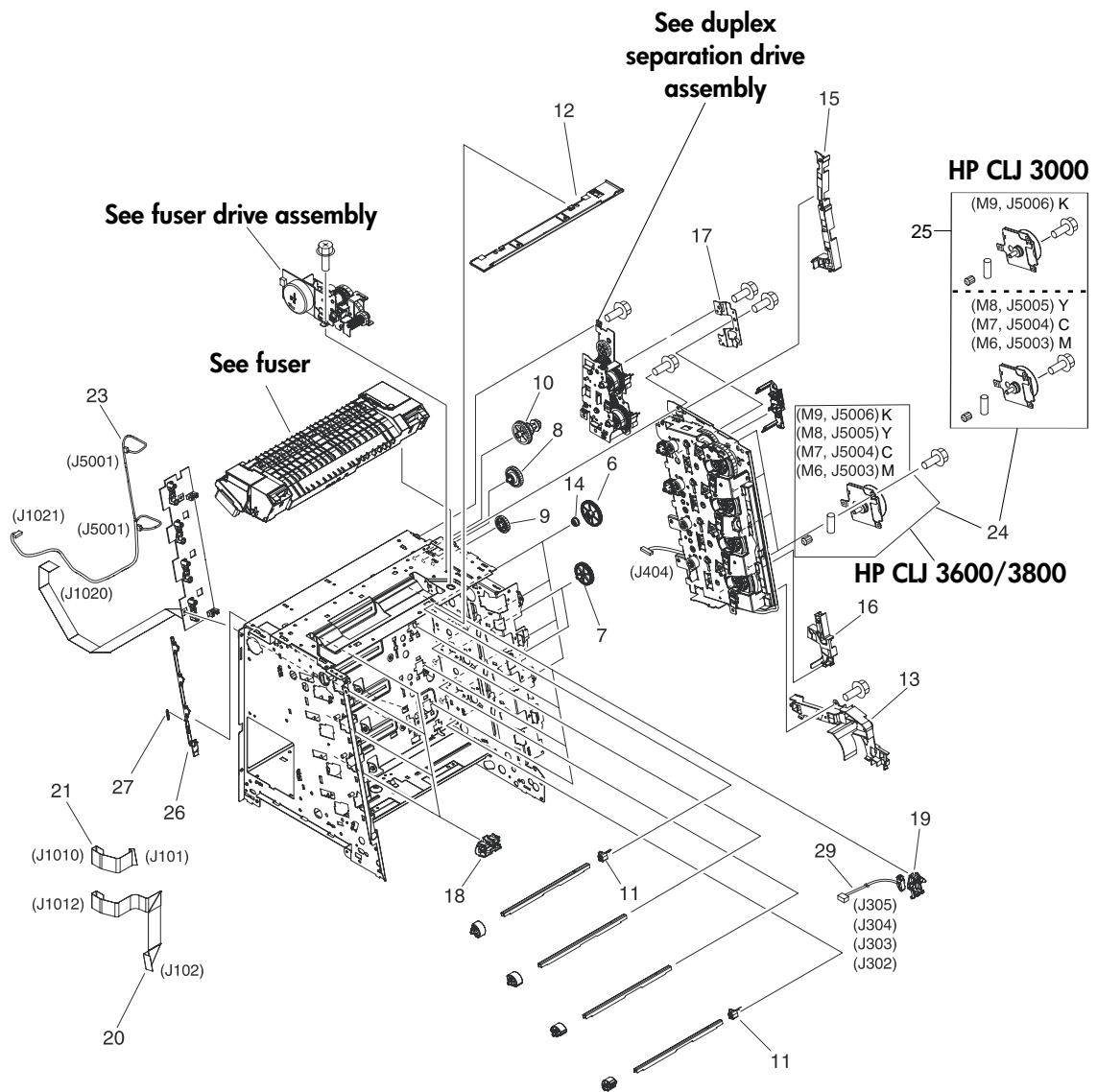


Figure 7-6 Internal components (2 of 5)

Table 7-8 Internal components (2 of 5)

Ref	Description	Part number	Qty
6	Cam, gear. 48T	RC1-6584-000CN	4
7	Gear, 41T	RC1-6589-000CN	2
8	Gear, 19T/30T	RC1-6593-000CN	1
9	Gear, 31T	RC1-6594-000CN	1
10	Gear, 17T/41T	RC1-6596-000CN	1
11	Flag, developing estrangement (developing separation)	RC1-6605-000CN	2
12	Cover, crossmember, upper	RC1-6668-000CN	1
13	Guide, cable, right 1	RC1-6682-000CN	1
14	Bushing	RC1-6823-000CN	4
15	Guide, cable, right 3	RC1-7544-000CN	1
16	Guide, cable, right 4	RC1-7545-000CN	1
17	Crossmember, drive side plate	RC1-7576-000CN	1
18	Cover, shutter, left	RC1-6651-000CN	4
19	Holder, toner cartridge	RC1-6771-000CN	4
20	Cable, scanner flat (long (HP CLJ 3000))	RK2-0971-000CN	1
20	Cable, scanner flat (long (HP CLJ 3600/3800))	RK2-0966-000CN	1
21	Cable, scanner flat short	RK2-0967-000CN	1
23	Cable, scanner	RM1-2594-000CN	1
24	Drive-motor assembly, print-cartridge (HP CLJ 3600/3800: K, Y, C, M cartridges; HP CLJ 3000: Y, C, M cartridges only)	RM1-2689-000CN	1
25	Drive-motor assembly, print-cartridge (HP CLJ 3000: K cartridge only)	RM1-2773-000CN	1
26	Lever, sensing	RC1-7597-000CN	1
27	Spring, tension	RC1-7598-000CN	1
29	Cable, memory tag	RM1-2627-000CN	1
30	Drive-motor assembly, black print-cartridge (HP CLJ 3000 only; K motor)	RM1-2773-000CN	1

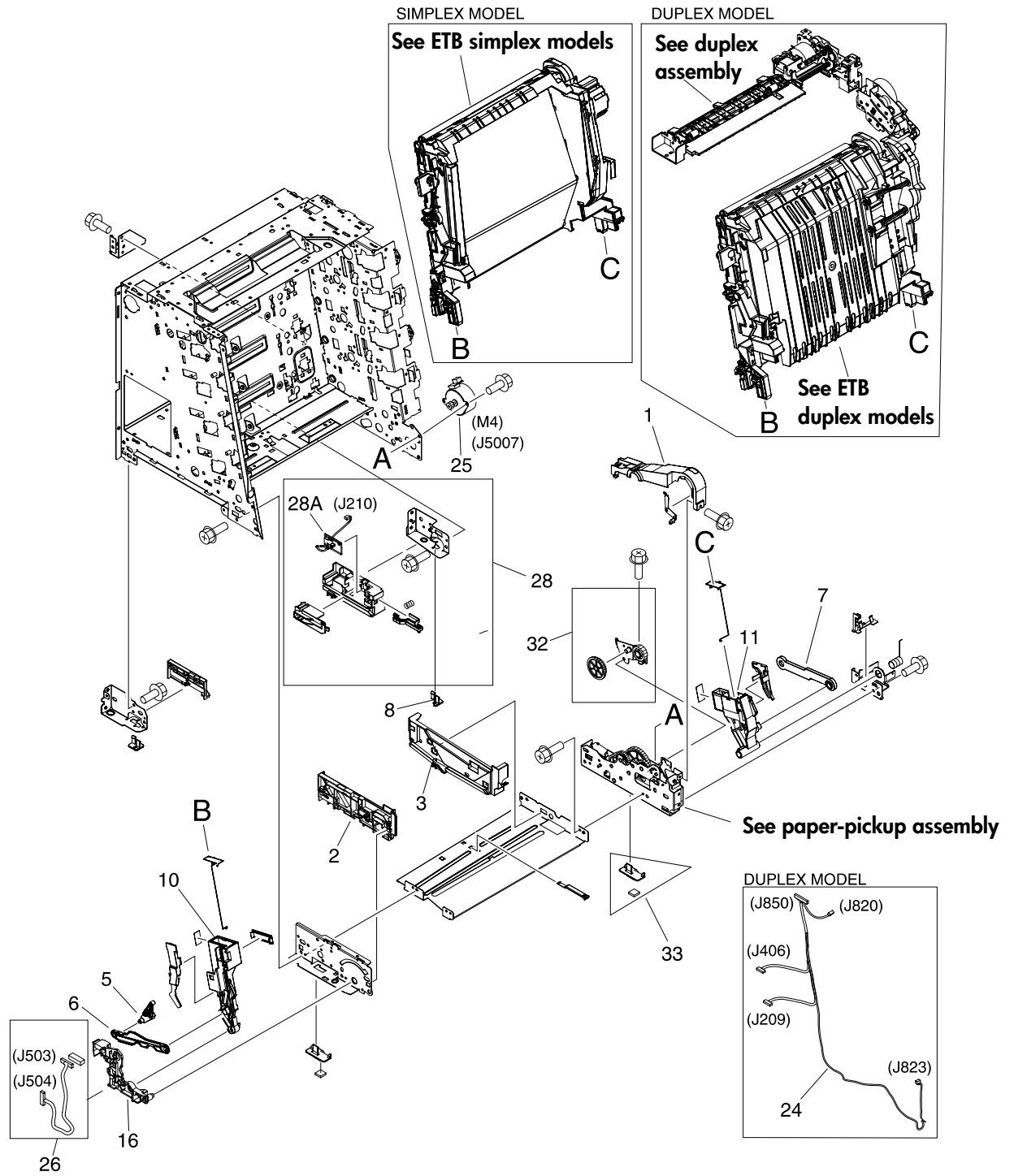


Figure 7-7 Internal components (3 of 5)

Table 7-9 Internal components (3 of 5)

Ref	Description	Part number	Qty
1	Cover, gear	RC1-6405-000CN	1
2	Guide, cassette front, left	RC1-6499-000CN	1
3	Guide, cassette front, right	RC1-6502-000CN	1
5	Cam, slide, left	RC1-6638-000CN	1
6	Rod, link, left	RC1-6639-000CN	1
7	Rod, link, right	RC1-6646-000CN	1
8	Foot, rear	RC1-6650-000CN	2
10	Holder, ETB, left	RC1-6673-000CN	1
11	Holder, ETB, right	RC1-6674-000CN	1
16	Mount, hinge, left	RC1-6684-000CN	1
24	Cable, duplex docking	RM1-2609-000CN	1
25	Motor, AC 24V, 9W	RK2-0939-000CN	1
26	Cable, sensor	RM1-2603-000CN	1
28	Right-rear base assembly	RM1-2678-000CN	1
28A	Cassette sensor PCA	RM1-2576-000CN	1
32	Plate, gear 3	RL1-1069-000CN	1
33	Foot, rubber assembly, front	RL1-1067-000CN	2

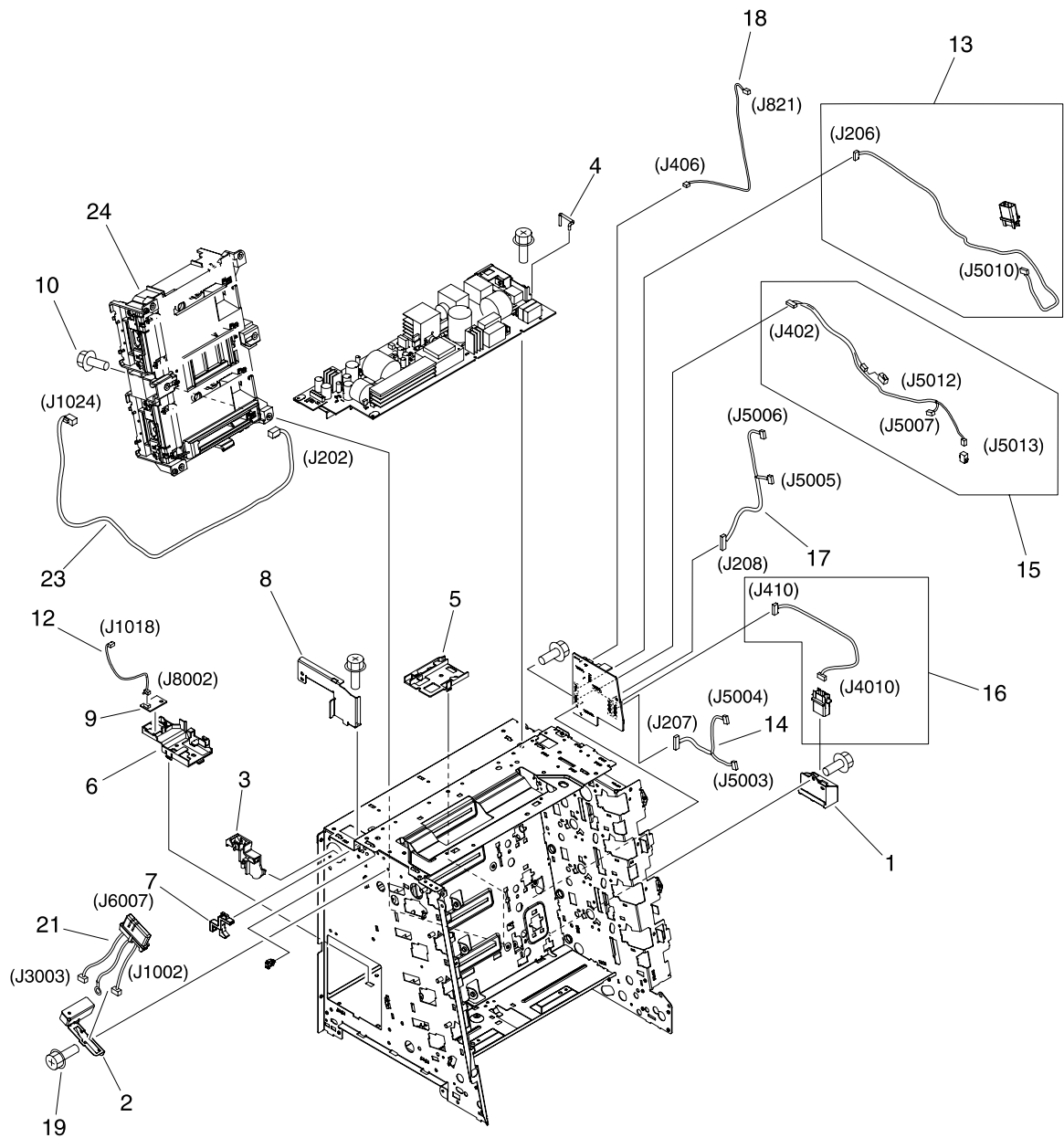


Figure 7-8 Internal components (4 of 5)

Table 7-10 Internal components (4 of 5)

Ref	Description	Part number	Qty
1	Holder, drawer connector	RC1-6652-000CN	1
2	Holder, drawer	RC1-6653-000CN	1
3	Guide, cable, left	RC1-6681-000CN	1
4	Arm, switch-link	RC1-6700-000CN	1
5	Guide, flexible flat cable 1	RC1-6772-000CN	1
6	Guide, flexible flat cable 2	RC1-6773-000CN	1
7	Guard, cable	RC1-6825-000CN	1
8	Bracket, left, rear	RC1-7551-000CN	1
9	Sensor, temperature	WP2-5214-000CN	1
12	Cable, environment sensor	RM1-2595-000CN	1
13	Cable, ETB	RM1-2608-000CN	1
14	Cable, drum motor	RM1-2610-000Cn	1
15	Cable, solenoid	RM1-2611-000CN	1
16	Cable, cassette	RM1-2613-000CN	1
17	Cable, drum motor (HP CLJ 3000)	RM1-2629-000CN	1
17	Cable, drum motor (HP CLJ 3600/3800)	RM1-2614-000CN	1
18	Cable, paper-full	RM1-2628-000CN	1
21	Fuser cable assembly	RM1-2597-000CN	1
23	Cable, drive power	RM1-2605-000CN	1
24	Scanner assembly (HP CLJ 3000)	RM1-2952-000CN	1
24	Scanner assembly (HP CLJ 3600/3800)	RM1-2640-000CN	1

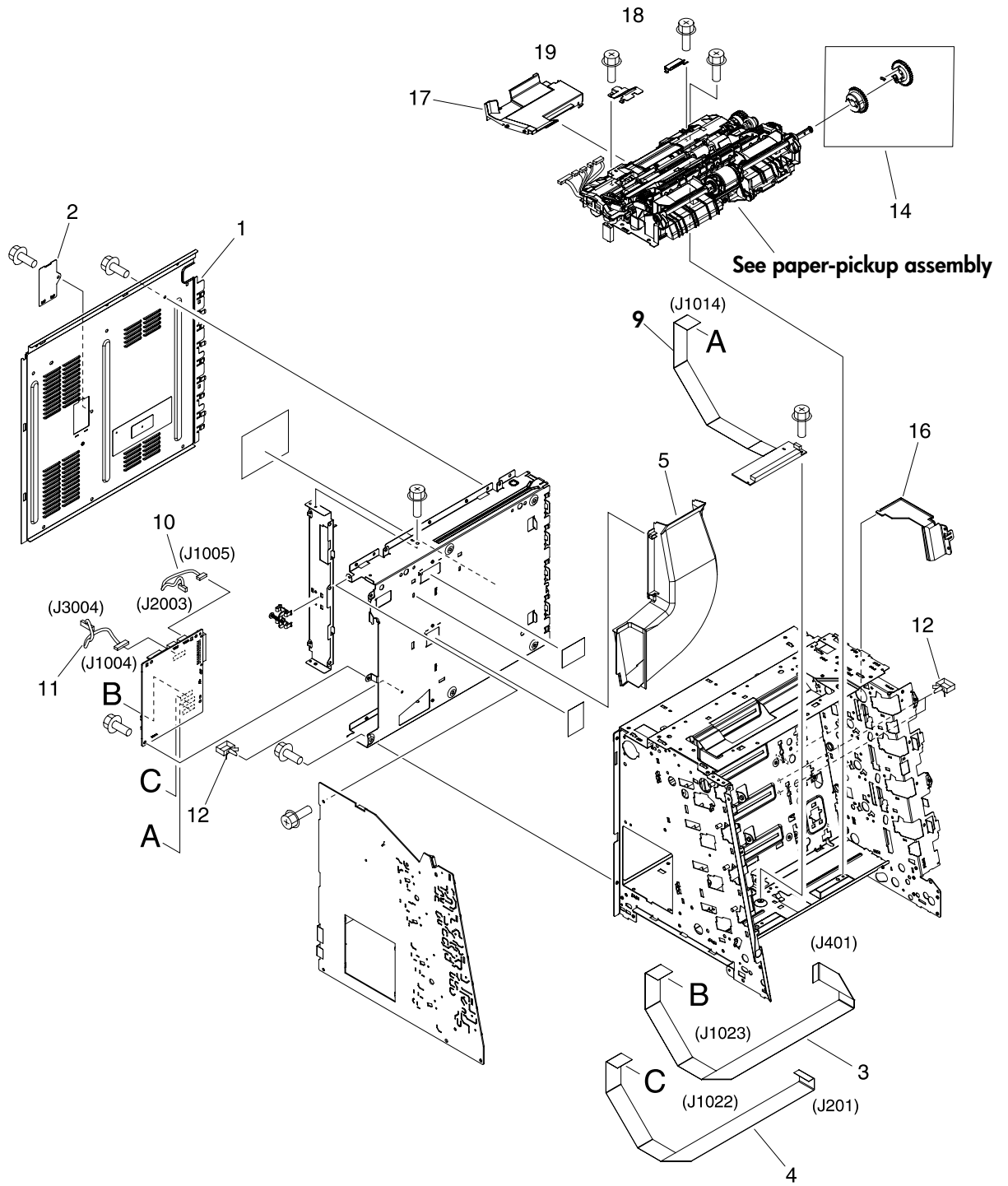


Figure 7-9 Internal components (5 of 5)

Table 7-11 Internal components (5 of 5)

Ref	Description	Part number	Qty
1	Cover, rear	RC1-6627-000CN	1
2	Cover	RC1-7577-000CN	1
3	Cable, drive flat 1	RK2-0969-000CN	1
4	Cable, drive flat 2	RK2-0970-000CN	1
5	Duct 1	RC1-7546-000CN	1
9	Relay, PCA	RM1-2582-000CN	1
10	Cable, panel connecting	RM1-2587-000CN	1
11	Cable, power control	RM1-2592-000CN	1
12	Cable, clamp	WT2-5944-000CN	2
14	Multipurpose tray paper-pickup gear assembly	RM1-2704-000CN	1
16	Shield, PCA	RC1-7599-000CN	1
17	Cover, connector	RC1-6607-000CN	1
18	Cover, paper sensor	RC1-6611-000CN	1
19	Cover, registration sensor	RC1-6612-000CN	1

Paper-pickup drive assembly

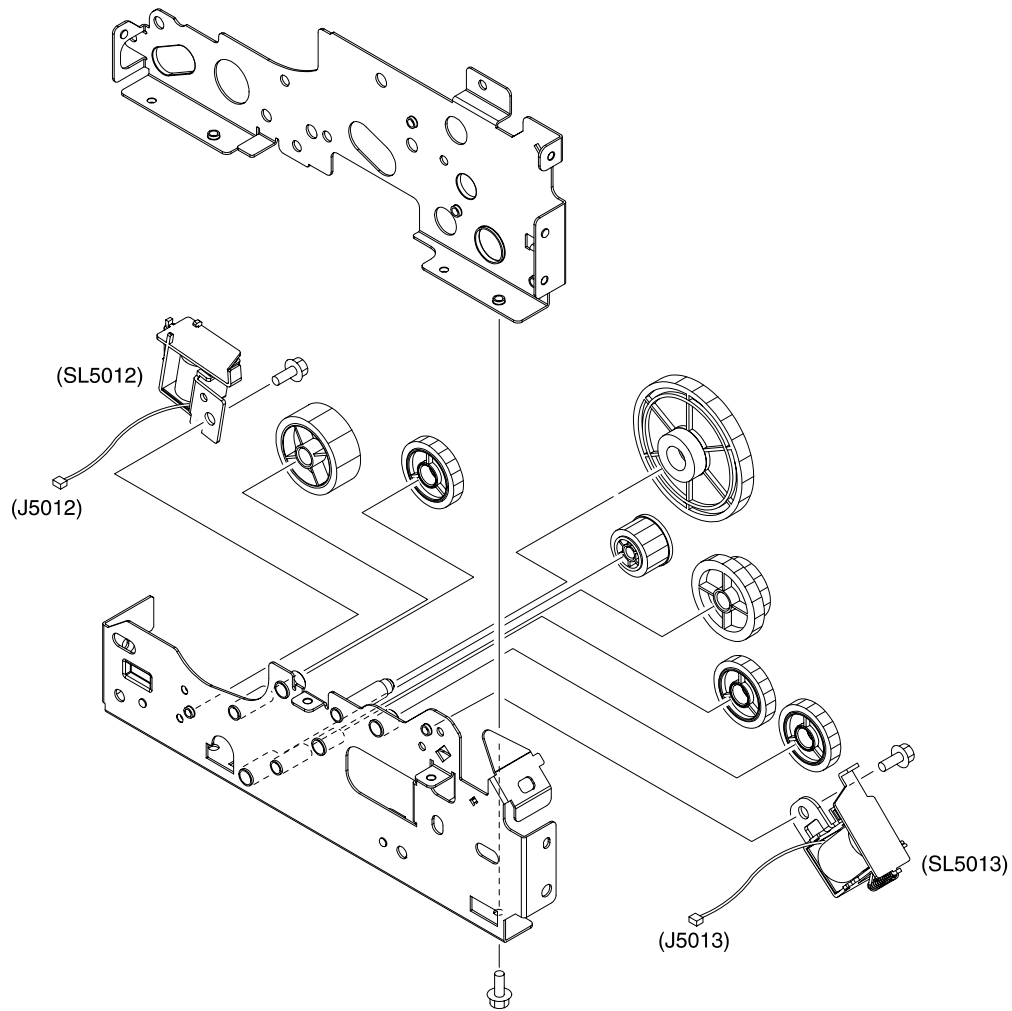


Figure 7-10 Paper-pickup drive assembly

Table 7-12 Paper-pickup drive assembly

Ref	Description	Part number	Qty
All	Paper-pickup drive assembly	RM1-2679-000CN	1

Duplexing-feed drive assembly (duplex models)

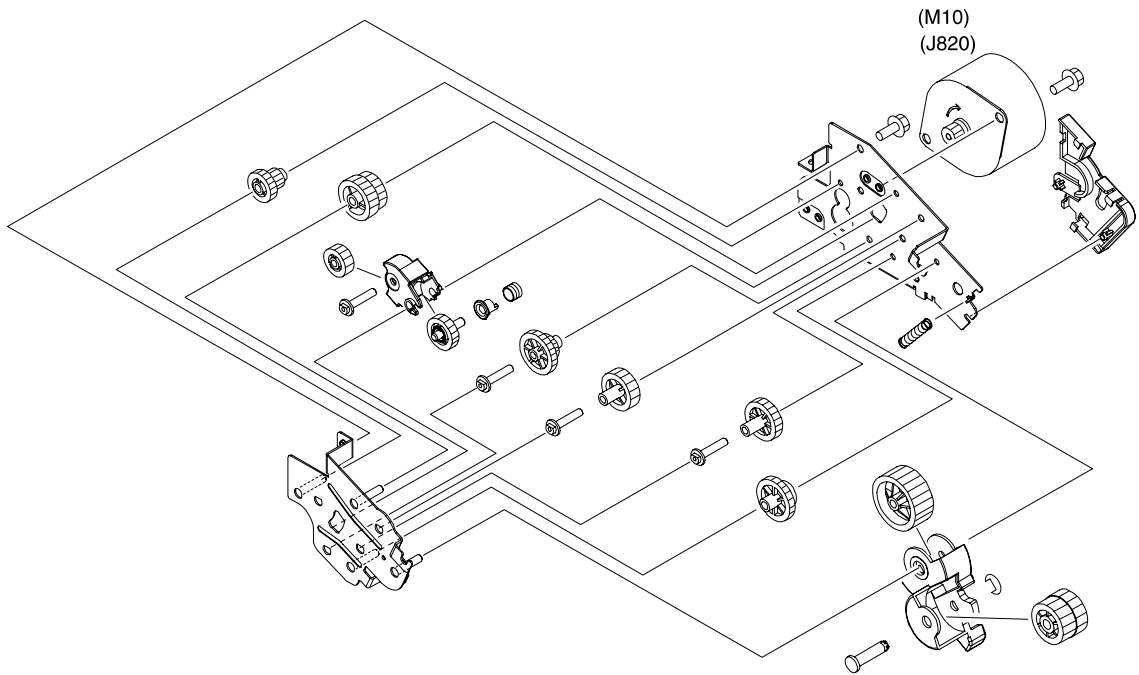


Figure 7-11 Duplexing-feed drive assembly (duplex models)

Table 7-13 Duplexing-feed drive assembly (duplex models)

Ref	Description	Part number	Qty
All	Duplexing-feed drive assembly (duplex models)	RM1-2720-000CN	1

Duplexing reverse-drive assembly (duplex models)

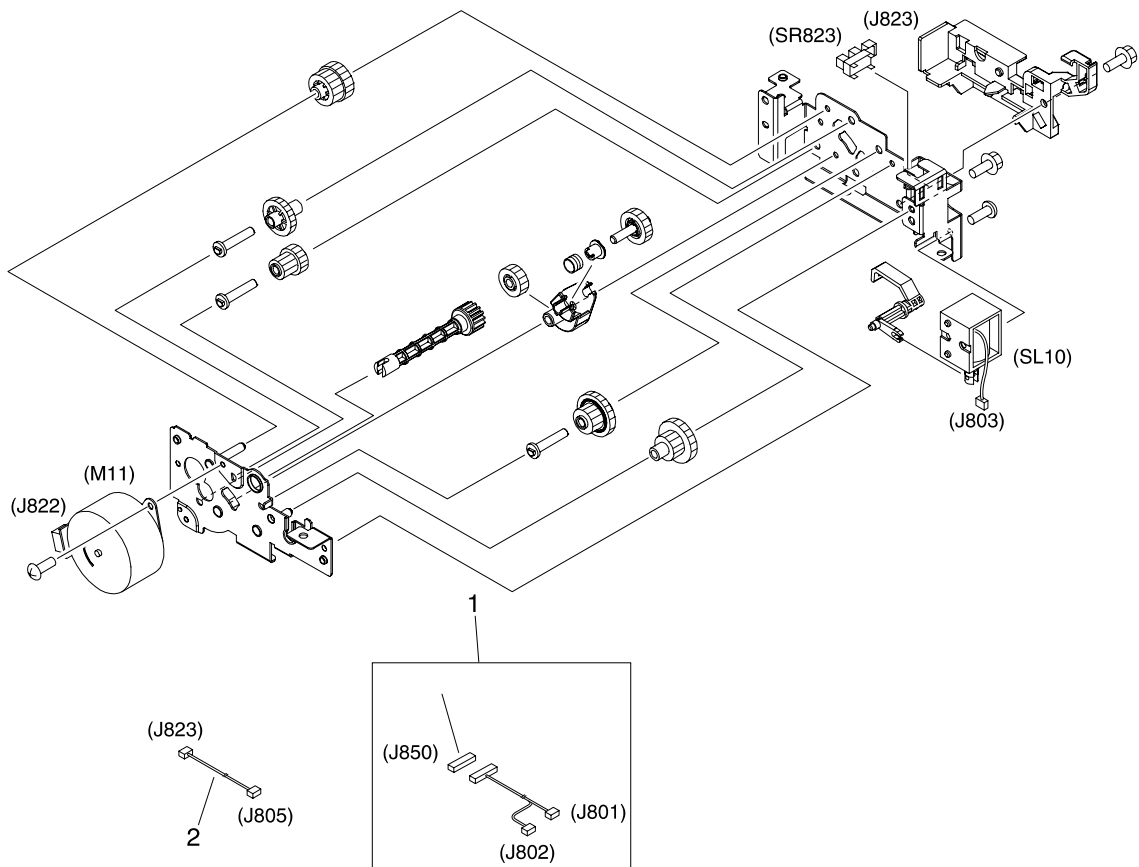


Figure 7-12 Duplexing reverse-drive assembly (duplex models)

Table 7-14 Duplexing reverse-drive assembly (duplex models)

Ref	Description	Part number	Qty
All	Duplexing reverse-drive assembly (duplex models)	RM1-2721-000CN	1
1	Cable, duplexing (duplex models)	RM1-2616-000CN	1
2	Cable, duplexing sensor (duplex models)	RM1-2618-000CN	1

Developing separation-drive assembly

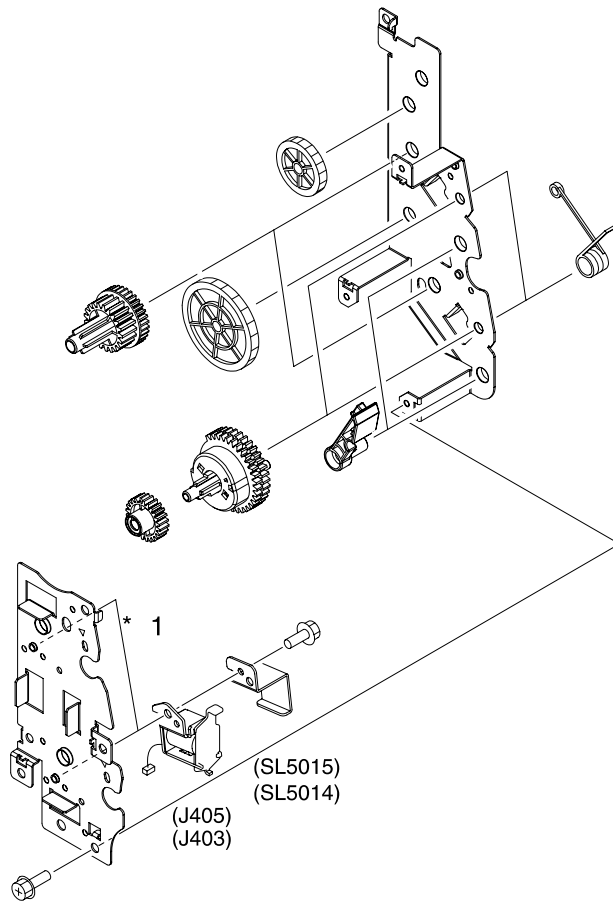


Figure 7-13 Developing separation-drive assembly

Table 7-15 Developing separation-drive assembly

Ref	Description	Part number	Qty
All	Developing separation (estrangement) drive assembly	RM1-2687-000CN	1

Fuser drive assembly

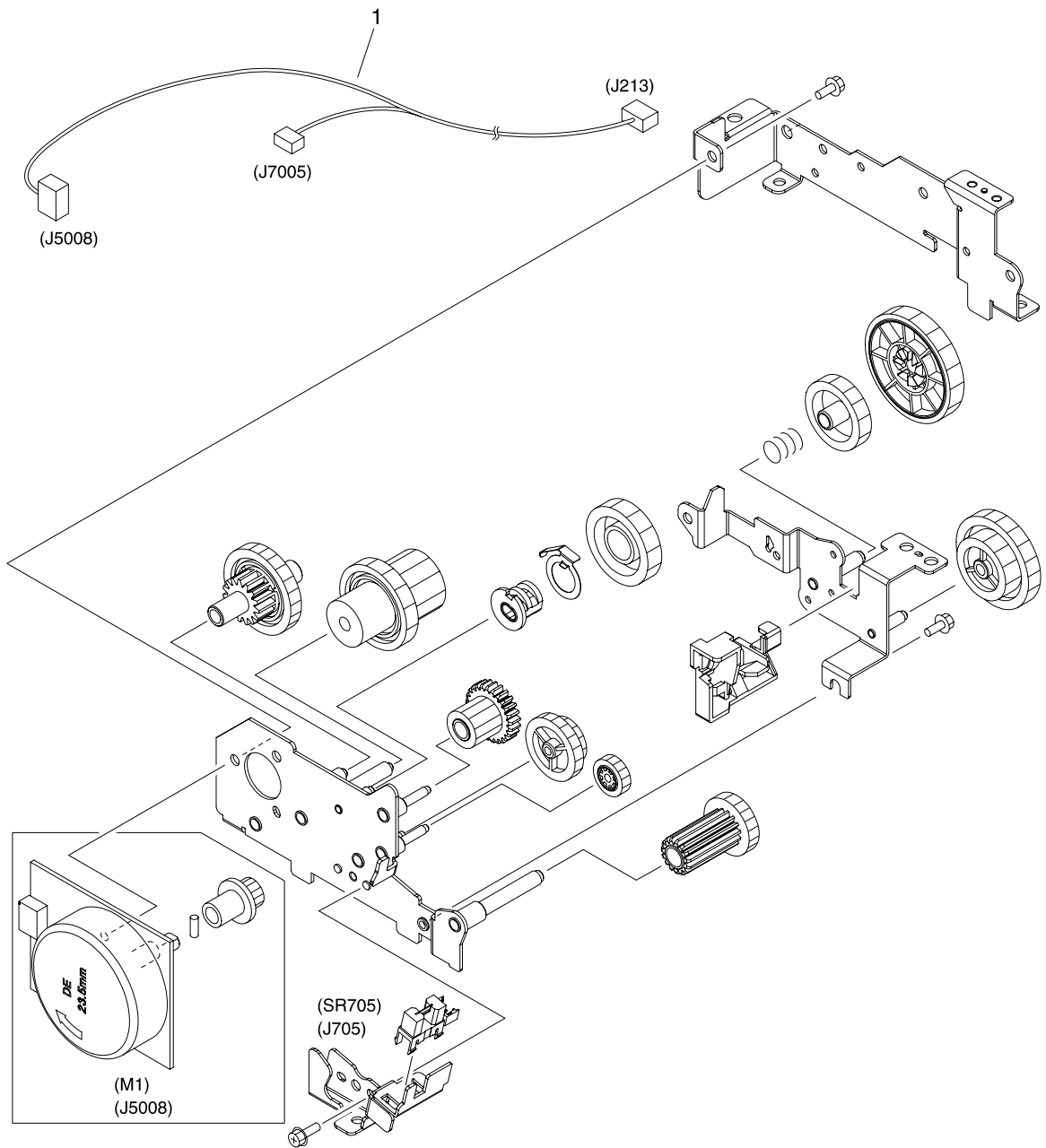


Figure 7-14 Fuser drive assembly

Table 7-16 Fuser drive assembly

Ref	Description	Part number	Qty
All	Fuser drive assembly	RM1-2668-000CN	1
1	Cable, fuser drive	RM1-2619-000CN	1

Cassette (tray 2)

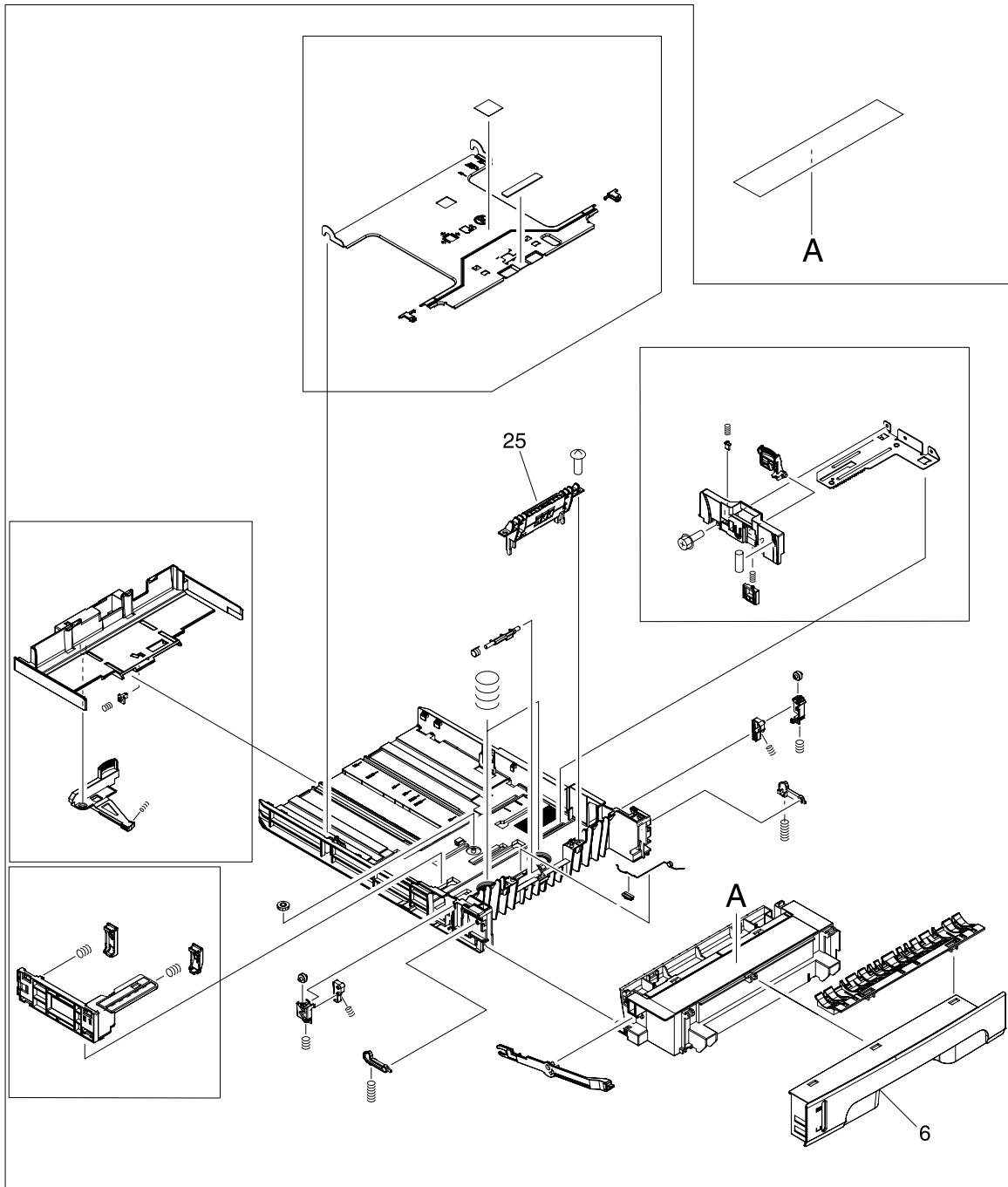


Figure 7-15 Cassette (tray 2)

Table 7-17 Cassette (tray 2)

Ref	Description	Part number	Qty
All	Cassette, 250-sheet	RM1-2705-000CN	1
6	Cover, cassette, front	RC1-6491-000CN	1
25	Separation-pad assembly	RM1-2709-000CN	1

Paper-pickup assembly (HP CLJ 3600/3800)

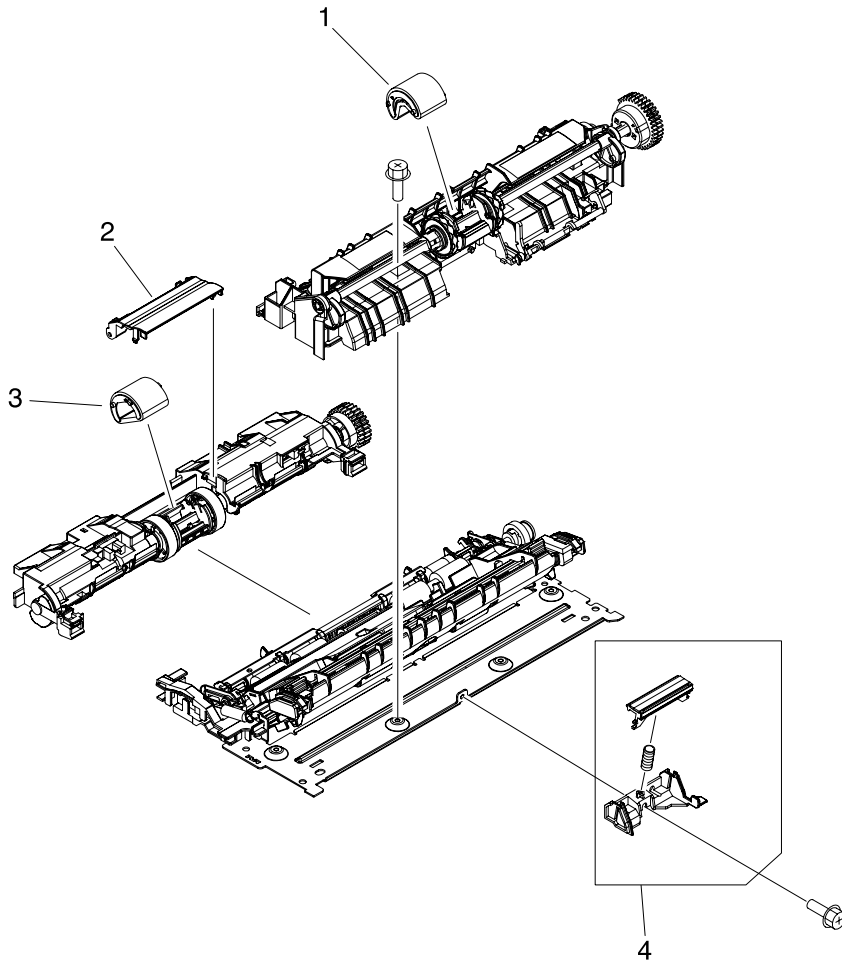


Figure 7-16 Paper-pickup assembly (HP CLJ 3600/3800)

Table 7-18 Paper-pickup assembly (HP CLJ 3600/3800)

Ref	Description	Part number	Qty
All	Paper-pickup assembly (HP CLJ 3600/3800)	RM1-2755-000CN	1
1	Multipurpose tray roller (HP CLJ 3600/3800)	RM1-2741-000CN	1
2	Cover, cassette roller assembly (HP CLJ 3600/3800)	RM1-6609-000CN	1
3	Cassette	RM1-2702-000CN	1
4	Multipurpose tray separation-pad assembly (HP CLJ 3600/3800)	RM1-2699-000CN	1

Paper-pickup assembly (HP CLJ 3000)

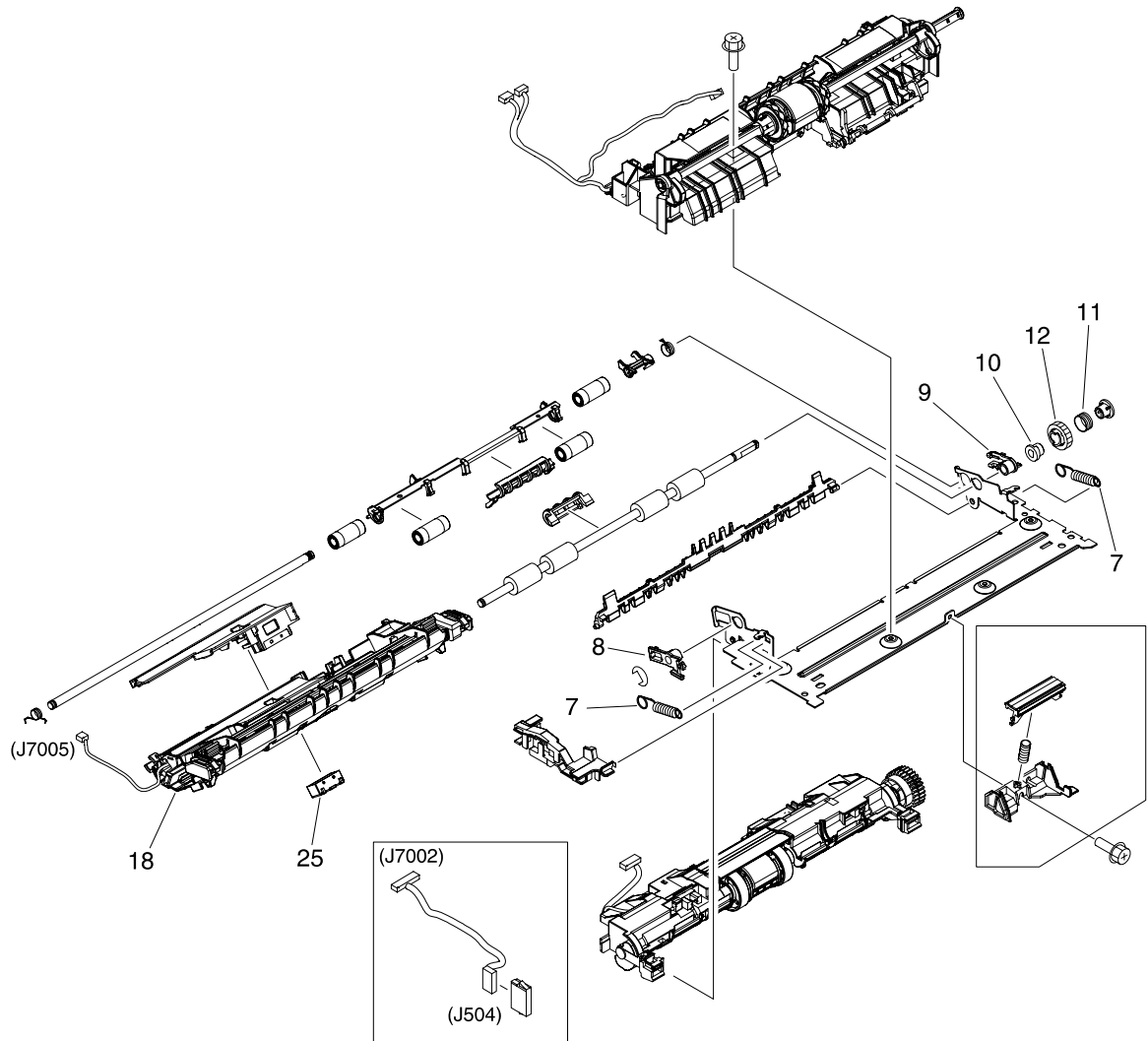


Figure 7-17 Paper-pickup assembly (HP CLJ 3000)

Table 7-19 Paper-pickup assembly (HP CLJ 3000)

Ref	Description	Part number	Qty
All	Paper-pickup assembly (HP CLJ 3000)	RM1-2774-000CN	1
7	Spring, tension (HP CLJ 3000)	RC1-6516-000CN	2
8	Bushing (HP CLJ 3000)	RC1-6517-000CN	1
9	Bushing (HP CLJ 3000)	RC1-6518-000CN	1
10	Clutch, mechanical (HP CLJ 3000)	RM1-2699-000CN	1
11	Spring, compression (HP CLJ 3000)	RC1-6520-000CN	1
12	Gear, 18T (HP CLJ 3000)	RC1-6521-000CN	1
18	Preregistration-guide assembly (HP CLJ 3000)	RM1-2775-000CN	1
25	Block, Multipurpose path (HP CLJ 3000)	RC1-7959-000CN	

Electronic transfer belt (simplex models)

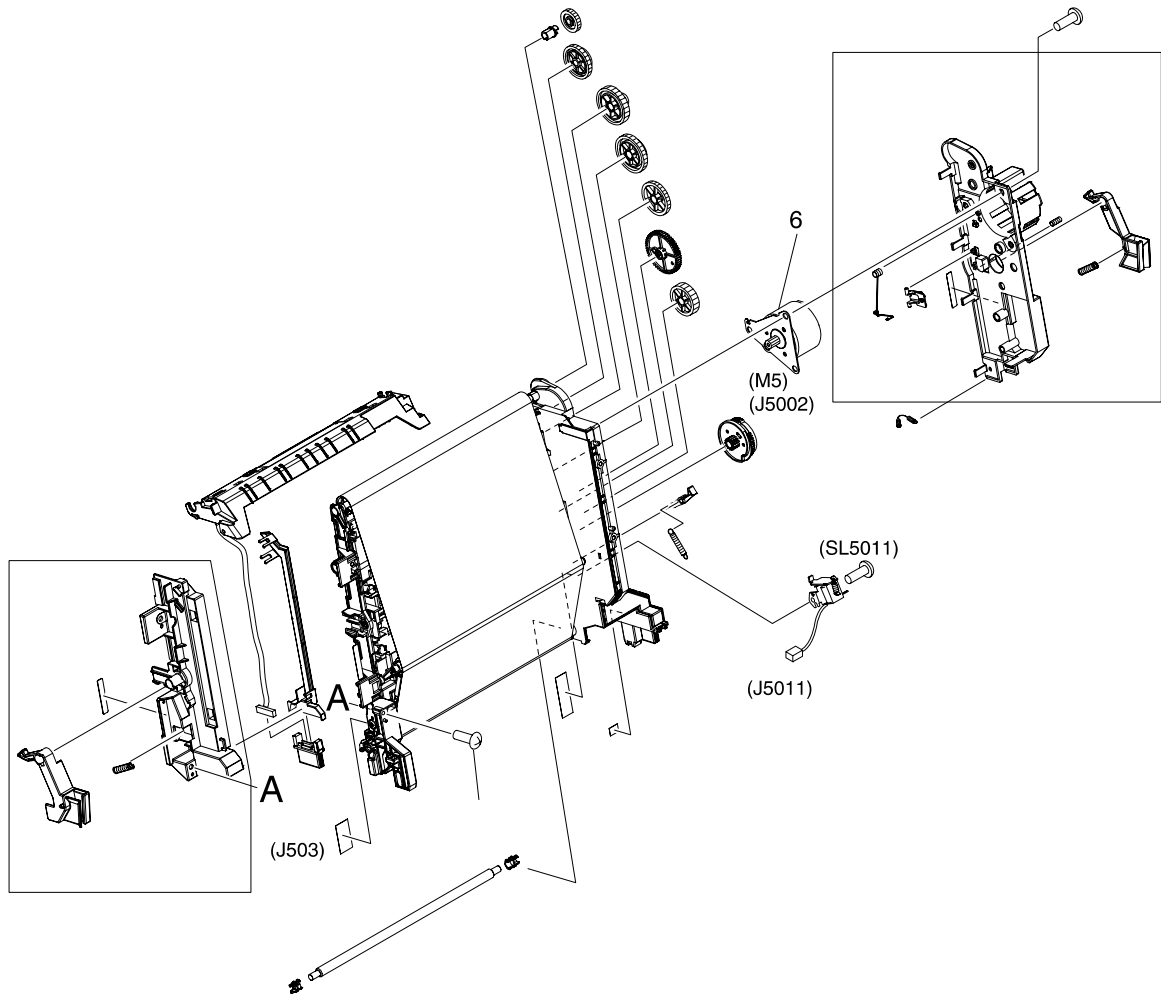


Figure 7-18 Electronic transfer belt (simplex models)

Table 7-20 Electronic transfer belt (simplex models)

Ref	Description	Part number	Qty
All	Electronic transfer belt (simplex models)	RM1-2690-000CN	1
6	Motor, DC (ETB) (simplex models)	RK2-0937-000CN	1

Electronic transfer belt (duplex models)

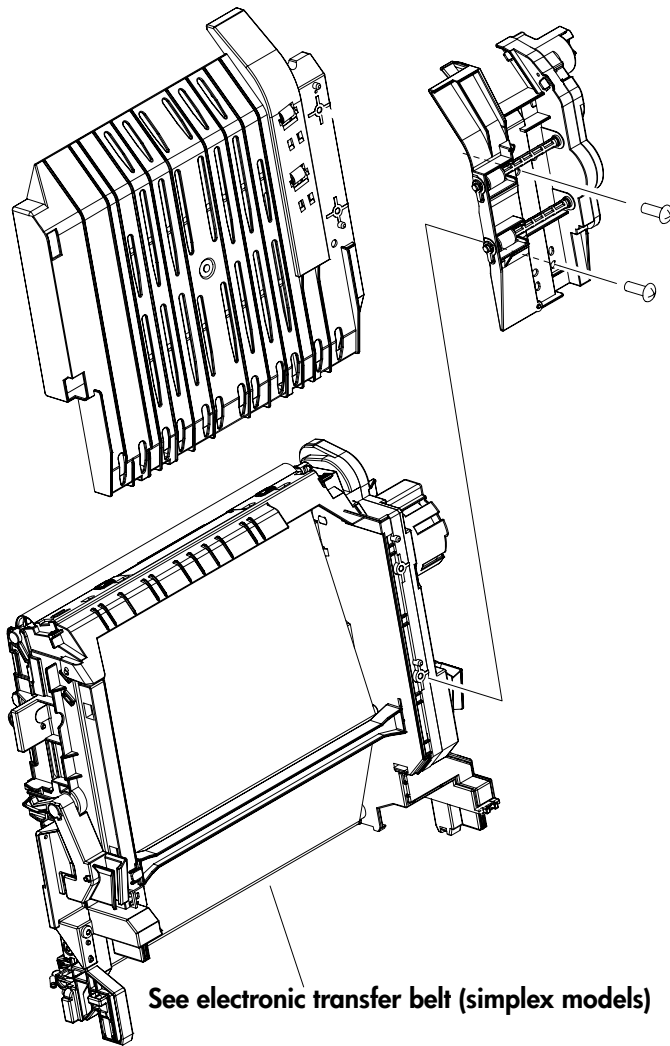


Figure 7-19 Electronic transfer belt (duplex models)

Table 7-21 Electronic transfer belt (duplex models)

Ref	Description	Part number	Qty
All	Electronic transfer belt (duplex models)	RM1-2711-000CN	1

Multipurpose tray assembly (tray 1)

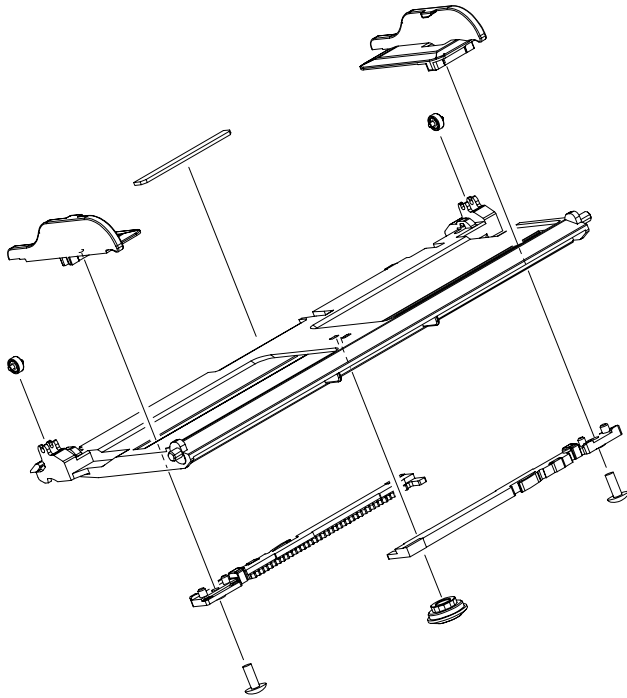


Figure 7-20 Multipurpose tray assembly (tray 1)

Table 7-22 Multipurpose tray assembly (tray 1)

Ref	Description	Part number	Qty
All	Multipurpose tray assembly (tray 1)	RM1-2711-000CN	1

Duplex-paper feed assembly (duplex models)

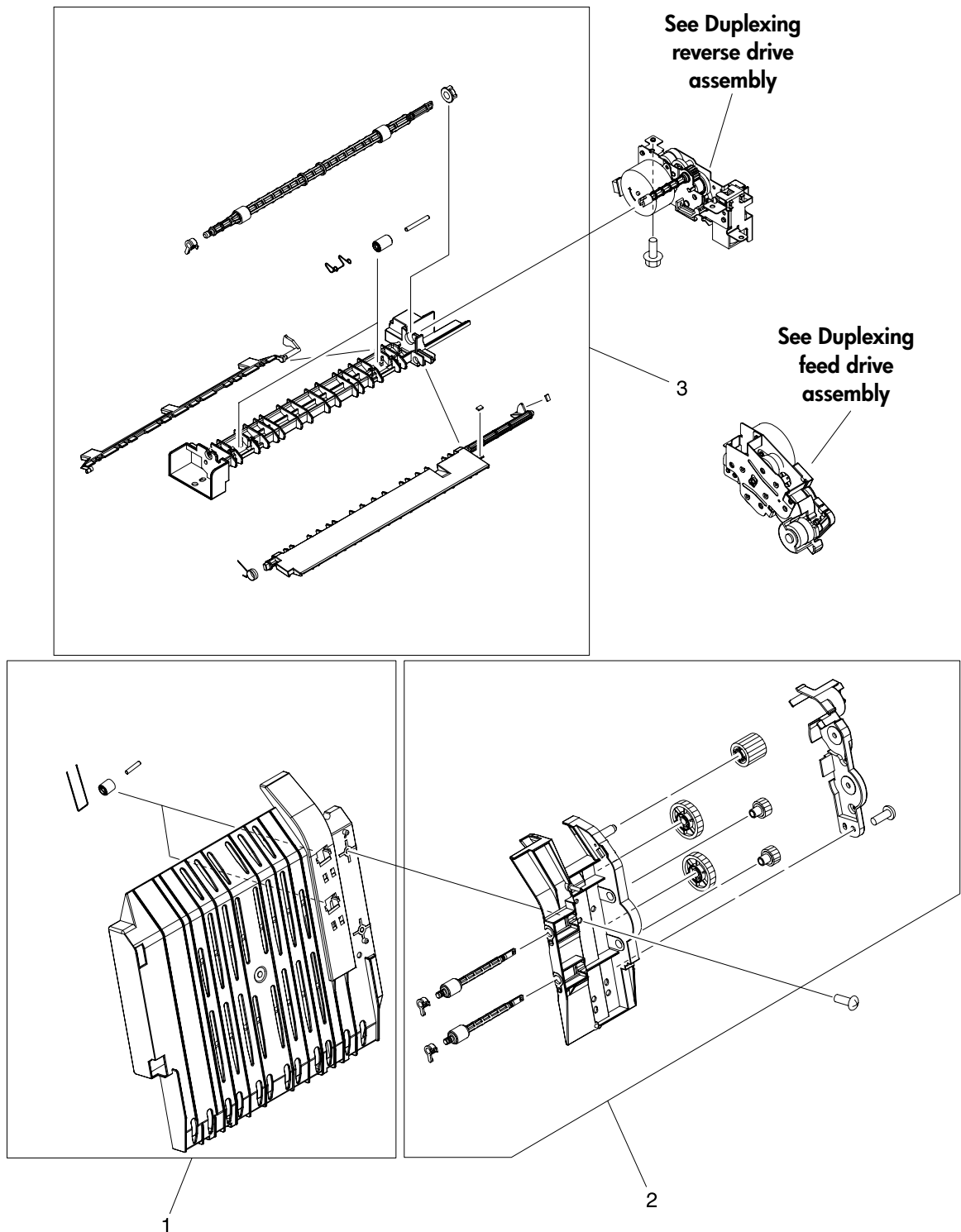


Figure 7-21 Duplex-paper feed assembly (duplex models)

Table 7-23 Duplex-paper feed assembly (duplex models)

Ref	Description	Part number	Qty
1	Duplex-paper feed assembly (duplex models)	RM1-2718-000CN	1
2	Position-guide assembly (duplex models)	RM1-2719-000CN	1
3	Lower guide assembly (duplex models)	RM1-2722-000CN	1

Fuser

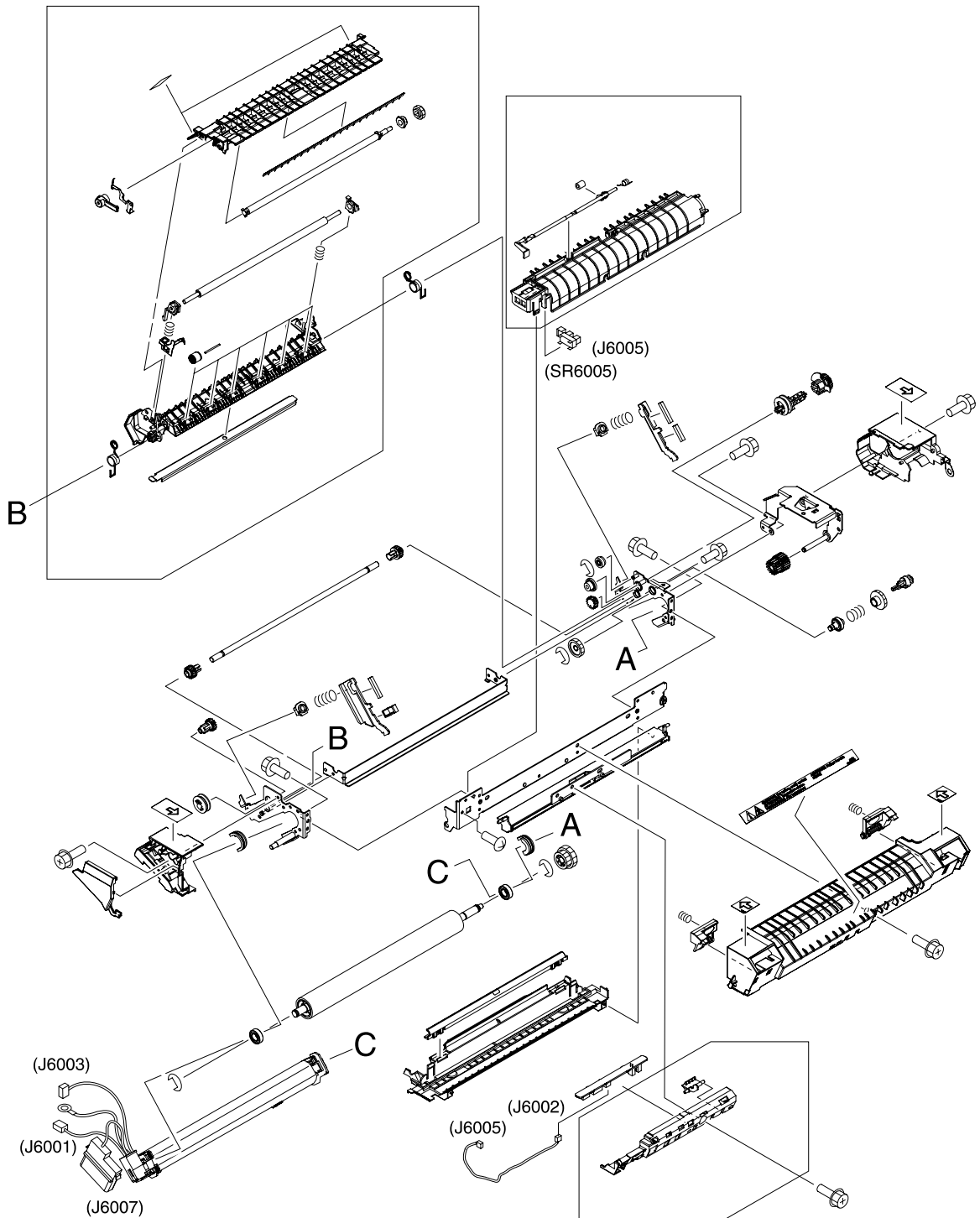


Figure 7-22 Fuser

Table 7-24 Fuser

Ref	Description	Part number	Qty
All	Fuser assembly 110V-127V	RM1-2665-000CN	1
All	Fuser assembly 220V-240V	RM1-2743-000CN	1

PCAs

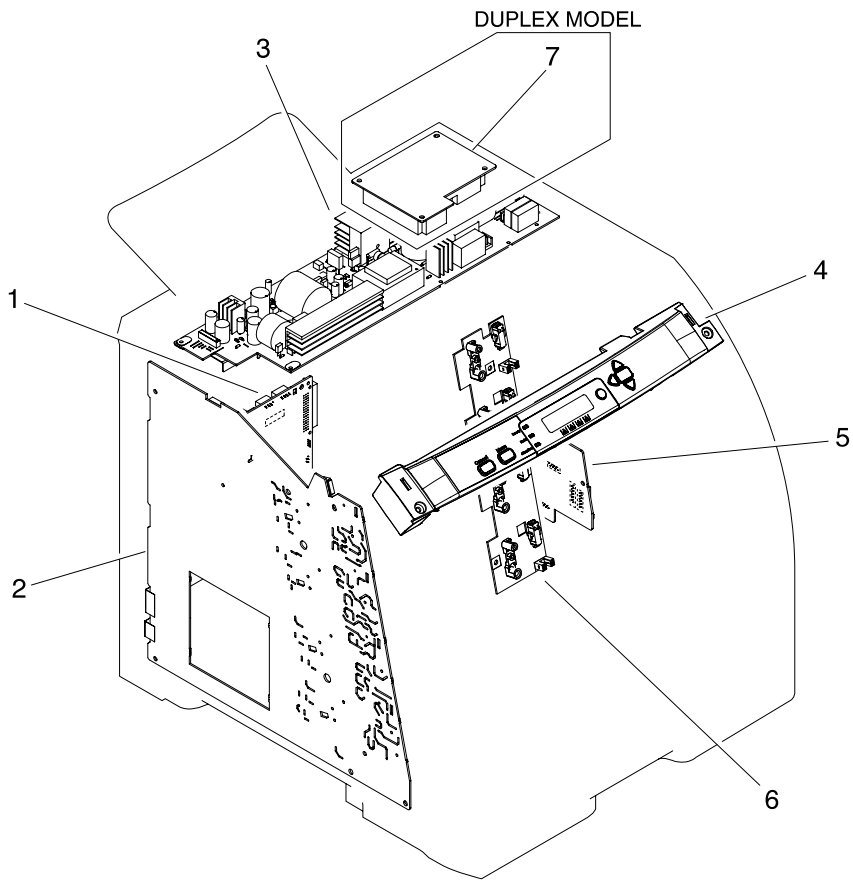


Figure 7-23 PCAs

Table 7-25 PCAs

Ref	Description	Part number	Qty
1	DC controller PCA assembly (HP CLJ 3000)	RM1-2600-000CN	1
1	DC controller PCA assembly (HP CLJ 3600/3800)	RM1-2580-000CN	1
2	High-voltage PCA assembly	RM1-2578-000CN	1
3	Low-voltage power PCA assembly (110V-127V)	RK2-0956-000CN	1
3	Low-voltage power PCA assembly (220V-240V)	RK2-0957-000CN	1
4	Control panel-assembly (HP CLJ 3000)	RK2-0996-000CN	1
4	Control-panel assembly (HP CLJ 3600/3800)	RK2-0989-000CN	1
5	Driver PCA	RM1-2581-000CN	1
6	Cartridge-sensor PCA	RM1-2585-000CN	1
7	Duplexing PCA assembly (duplex models)	RM1-2584-000CN	1
	Formatter, new, HP Color LaserJet 3000 and 3000n Series only (128 MB)	Q5982-67907	1
	Formatter, exchange, HP Color LaserJet 3000 and 3000n Series only (128 MB)	Q5982-69001	1
	Formatter, new, HP Color LaserJet 3000dn and 3000dtn Series only (256 MB)	Q5982-67908	1
	Formatter, exchange, HP Color LaserJet 3000dn and 3000dtn Series only (256 MB)	Q5982-69002	1
	Formatter, new, HP Color LaserJet 3800 and 3800n Series only (128 MB)	Q5982-67907	1
	Formatter, exchange, HP Color LaserJet 3800 and 3800n Series only (128 MB)	Q5982-69001	1
	Formatter, new, HP Color LaserJet 3800dn and 3800dtn Series only (256 MB)	Q5982-67908	1
	Formatter, exchange, HP Color LaserJet 3800dn and 3800dtn Series only (256 MB)	Q5982-69002	1
	I controller (formatter), HP Color LaserJet 3600 Series only	Q5987-67901	1
	Firmware, Compact Flash, HP Color LaserJet 3000 Series only	Q7725-67903	1
	Firmware, Compact Flash, HP Color LaserJet 3600/3800 Series only	Q7725-67902	1
	DIMM, 64 MB DDR SDRAM, HP Color LaserJet 3600 Series only	Q7800-67951	1



NOTE This illustration does not show the relay PCA. See callout 9 in [Figure 7-9 Internal components \(5 of 5\) on page 274](#).

500-sheet feeder cassette (tray 3)

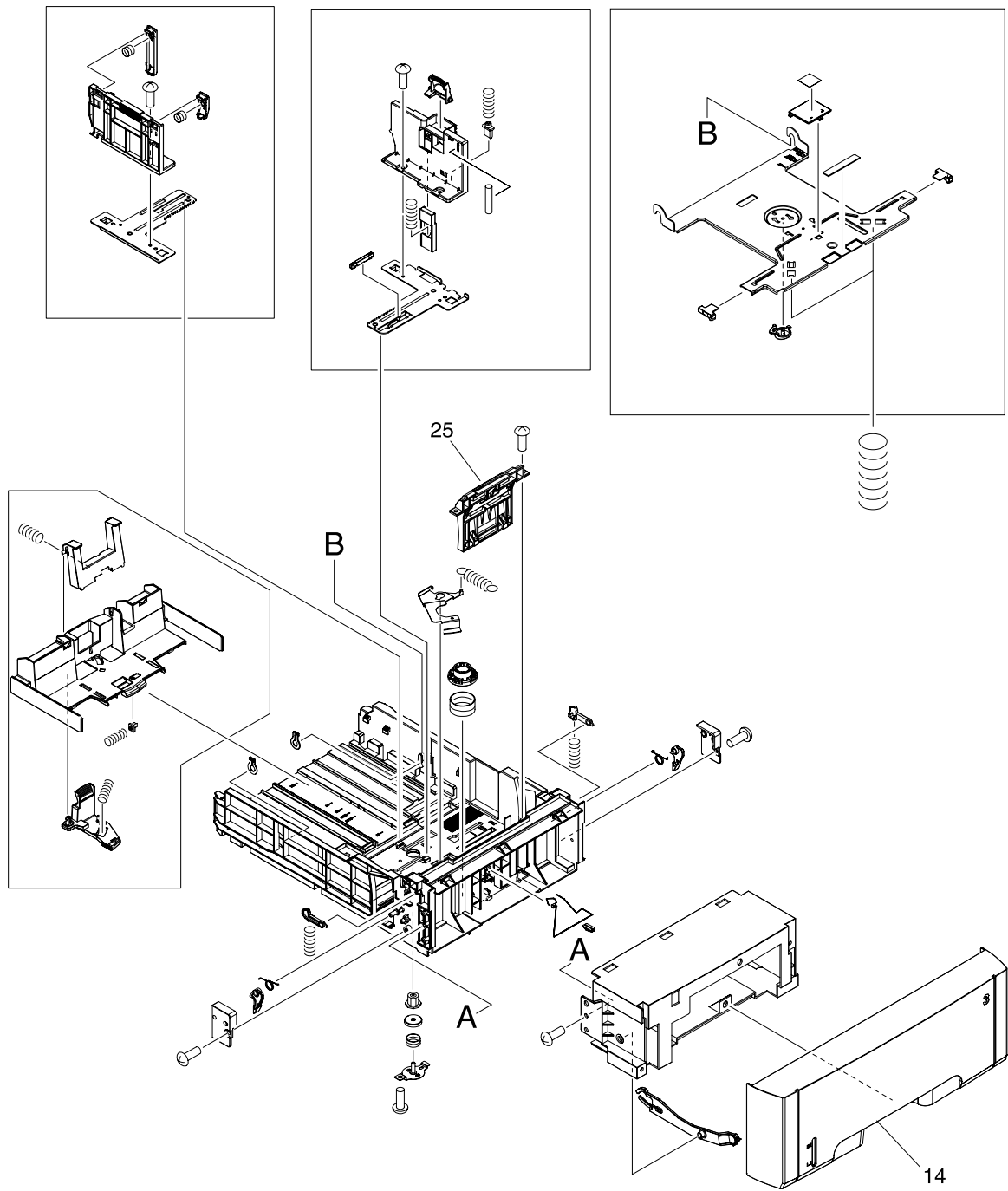


Figure 7-24 500-sheet feeder cassette (tray 3)

Table 7-26 500-sheet feeder cassette (tray 3)

Ref	Description	Part number	Qty
	500-sheet feeder and cassette	Q5985-67901	1
All	500-sheet cassette (only), tray 3	RM1-2732-000CN	1
14	Cover, 500-sheet cassette	RC1-6945-000CN	1
25	Separation-pad-holder assembly (500-sheet feeder)	RM1-2735-000CN	

500-sheet feeder paper-pickup assembly

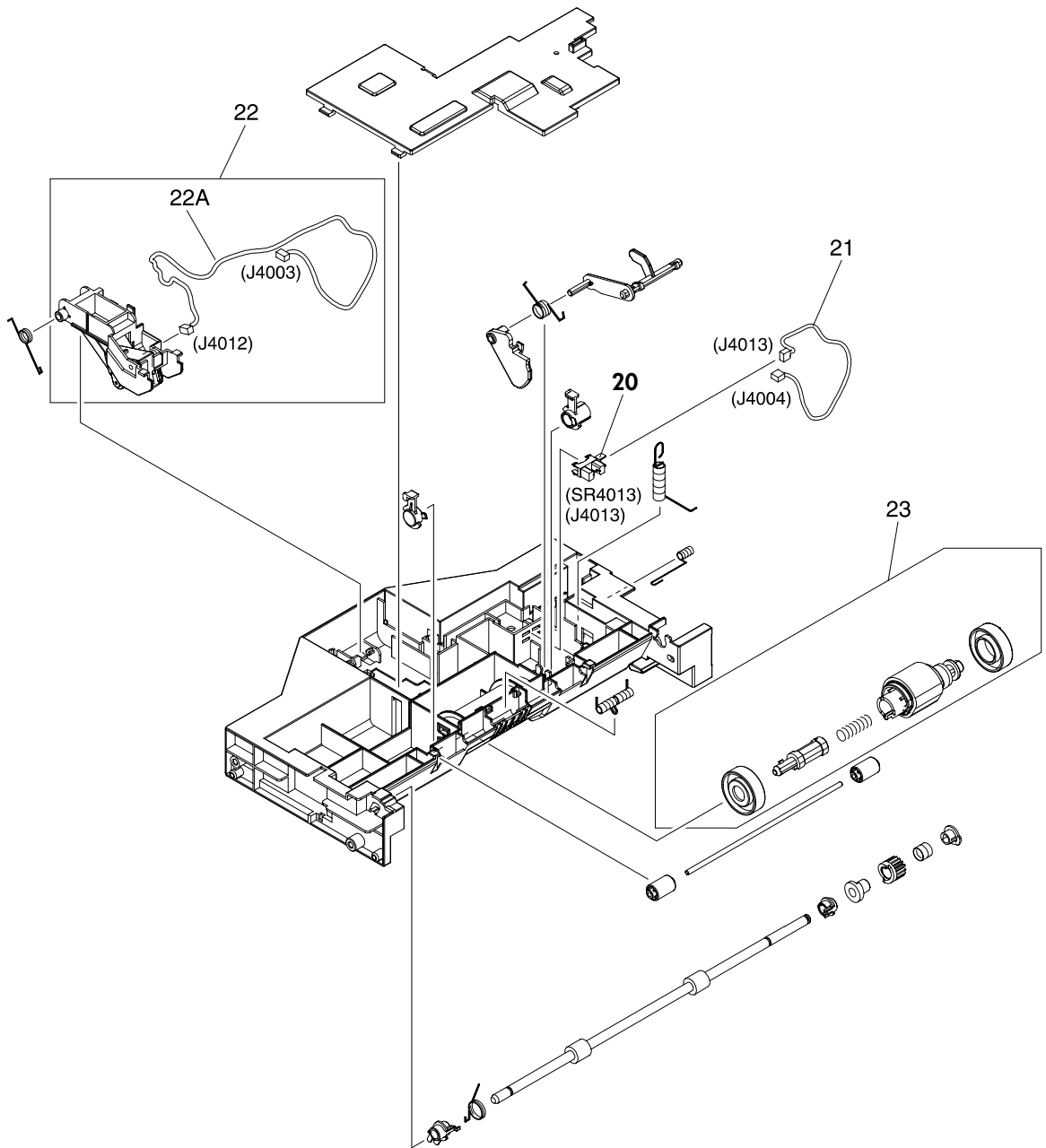


Figure 7-25 500-sheet feeder paper-pickup assembly

Table 7-27 500-sheet feeder paper-pickup assembly

Ref	Description	Part number	Qty
All	500-sheet feeder paper-pickup assembly	RM1-2725-000CN	1
20	Photointerruptor	WG8-5696-000CN	1
21	Cable, option sensor	RM1-2625-000CN	1
22	Sensor, media assembly	RM1-2757-000CN	1
22A	Cable, option media sensor (500-sheet feeder)	RM1-2624-000CN	1
23	Paper-pickup-roller assembly (500-sheet feeder)	RM1-2727-000CN	1

500-sheet feeder PCA

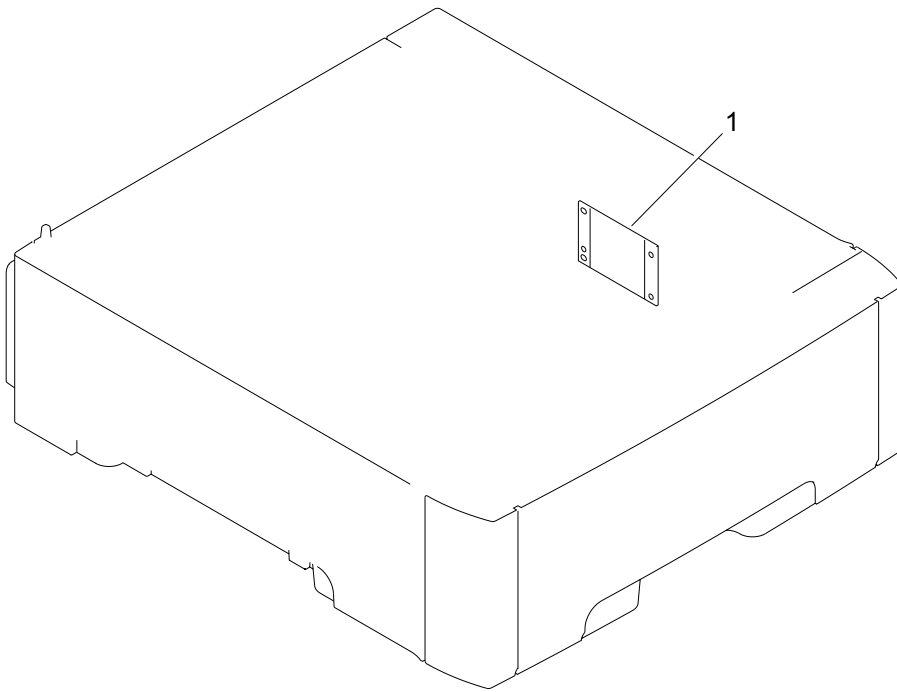


Figure 7-26 500-sheet feeder PCA

Table 7-28 500-sheet feeder PCA

Ref	Description	Part number	Qty
1	PCA assembly (500-sheet feeder)	RM1-2583-000CN	1