
8 Parts and diagrams

- [Order parts, accessories, and supplies](#)
- [Part numbers](#)
- [Screws](#)
- [How to use the parts lists and diagrams](#)
- [External covers, panels, and doors](#)
- [Right door assembly](#)
- [Internal components](#)
- [Assessories](#)
- [Alphabetical parts list](#)
- [Numerical parts list](#)

Order parts, accessories, and supplies

You can obtain the following items directly from HP:

- **Replacement parts:** To order replacement parts in the U.S., go to www.hp.com/go/hpparts/. Outside the United States, order parts by contacting your local authorized HP service center.
- **Supplies and accessories:** To order supplies in the U.S., go to www.hp.com/go/ljsupplies. To order supplies worldwide, go to www.hp.com/ghp/buyonline.html. To order accessories, go to www.hp.com/support/cljcp3525.

Part numbers

The following list of accessories was current at the time of printing. Ordering information and availability of the accessories might change during the life of the product.

Accessories

Product name	Product number	Part number
1x500 optional paper feeder	CE222A	CC468-67905
High performance EIO hard disk	J7989G	
High performance secure EIO hard disk	J8019A	
HP Postcard media insert tray	CC497A	CC497-67902

Print cartridges and toner collection unit

Product name	Product number	Part number
HP Color LaserJet standard black print cartridge	CE250A	CE250-67901
HP Color LaserJet high capacity black print cartridge	CE250X	CE250-67902
HP Color LaserJet cyan print cartridge	CE251A	CE251-67901
HP Color LaserJet yellow print cartridge	CE253A	CE252-67901
HP Color LaserJet magenta print cartridge	CE2512A	CE253-67901
HP Color LaserJet toner collection unit	CE254A	

¹ For more information, go to www.hp.com/go/learnaboutsupplies

Memory

Product name	Product number	Part number
200-pin DDR2 SODIMM x64 memory modules 128MB	CC409A	CC409-67951
200-pin DDR2 SODIMM x64 memory modules 256MB	CC410A	CC410-67951
200-pin DDR2 SODIMM x64 memory modules 512MB	CC411A	CC411-67951
200-pin DDR2 SODIMM x64 memory modules 1 GB	CC412A	CC412-67951


Cables and interfaces

Product name	Product number	Part number
HP Jetdirect 635n IPv6/Ipsec print server (EIO)	J7961G	
USB cable 2 meter standard	C6518A	

Customer self repair (CSR) parts

Product name	Product number	Part number
1x500 paper feeder right door kit		CC468-67906
Duplex reverse guide kit		CC468-67913
Formatter assembly kit		CC460-69001
Front door kit		CC468-67920
Fuser (fixing) cleaning kit (8.5x11)		CC468-67919
Fuser (fixing) 110V service kit		CC519-67901
Fuser (fixing) 220V service kit		CC519-67902
HP postcard media insert replacement		CC497-67902
ITB kit		CC468-67907
Pick/feed and separation roller kit (Tray 2/3)		CC468-67911
Secondary transfer assembly kit (simplex)		CC468-67916
Secondary transfer assembly kit (duplex)		CC468-67915
Secondary transfer (T2) roller kit		CC468-67914
1x500 Paper feeder replacement kit		CC468-67905
128MB DDR2 Memory DIMM replacement kit		CC409-67951
256MB DDR2 Memory DIMM replacement kit		CC410-67951
512MB DDR2 Memory DIMM replacement kit		CC411-67951
11 GB DDR2 Memory DIMM replacement kit		CC412-67951
Toner collection unit replacement kit		CC468-67910
1x500 Paper feeder cassette tray (tray 3)		RM1-6198-000CN
250 cassette tray (tray 2)		RM1-4962-000CN
Control panel overlay ID		CC468-40034
Control panel overlay ZHCN		CC468-40035

Product name	Product number	Part number
Control panel overlay ZHTW		CC468-40036
Control panel overlay JA		CC468-40038
Control panel overlay KO		CC468-40039
Control panel overlay TH		CC468-40040
Control panel overlay HR		CC468-40011
Control panel overlay CS		CC468-40012
Control panel overlay EL		CC468-40013
Control panel overlay HU		CC468-40014
Control panel overlay PL		CC468-40015
Control panel overlay RO		CC468-40016
Control panel overlay RU		CC468-40017
Control panel overlay SK		CC468-40018
Control panel overlay SL		CC468-40019
Control panel overlay TR		CC468-40020
Control panel overlay PT		CC468-40021
Control panel overlay ES		CC468-40022
Control panel overlay CA		CC468-40023
Control panel overlay DA		CC468-40024
Control panel overlay NL		CC468-40025
Control panel overlay FI		CC468-40026
Control panel overlay FR		CC468-40027
Control panel overlay DE		CC468-40028
Control panel overlay IT		CC468-40029
Control panel overlay NO		CC468-40030
Control panel overlay SV		CC468-40031

 **NOTE:** The terms fusing and fixing are synonymous.

Maintenance kits

Product name	Product number	Part number
110V fuser (fixing) preventative maintenance kit (PM)	CE484A	
220V fuser (fixing) preventative maintenance kit (PM)	CE506A	

Screws



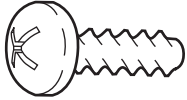

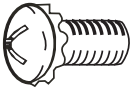
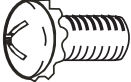
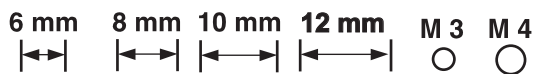
 **NOTE:** The screw illustrations in the following table are for reference only. Screws might vary in size and appearance from those shown in this table.

Table 8-1 Common fasteners

Example	Description	Size	Part Number
	Screw, with washer	M3X8	XA9-1420-000CN
	Screw, tapping, truss head	M4X10	XB4-7401-005CN
	Screw, tap	M3X6	XA9-1503-000CN
	Screw, D	M3X8	XA9-1671-000CN
	Screw, tooth washer	M4X6	XB2-7400-606CN



How to use the parts lists and diagrams

The figures in this chapter show the major subassemblies in the product and their component parts. A parts list table follows each exploded view assembly diagram. Each table lists the item number, the associated part number, and the description of each part. If a part is not listed in the table, then it is not a field replacement unit (FRU).

-
- △ **CAUTION:** Be sure to order the correct part. When looking for part numbers for electrical components, pay careful attention to the voltage that is listed in the description column. Doing so will ensure that the part number selected is for the correct all-in-one model.
- 📄 **NOTE:** In this manual, the abbreviation “PCA” stands for “printed circuit-board assembly.” Components described as a PCA might consist of a single circuit board or a circuit board plus other parts, such as cables and sensors.
-

External covers, panels, and doors

Figure 8-1 External covers, panels, and doors

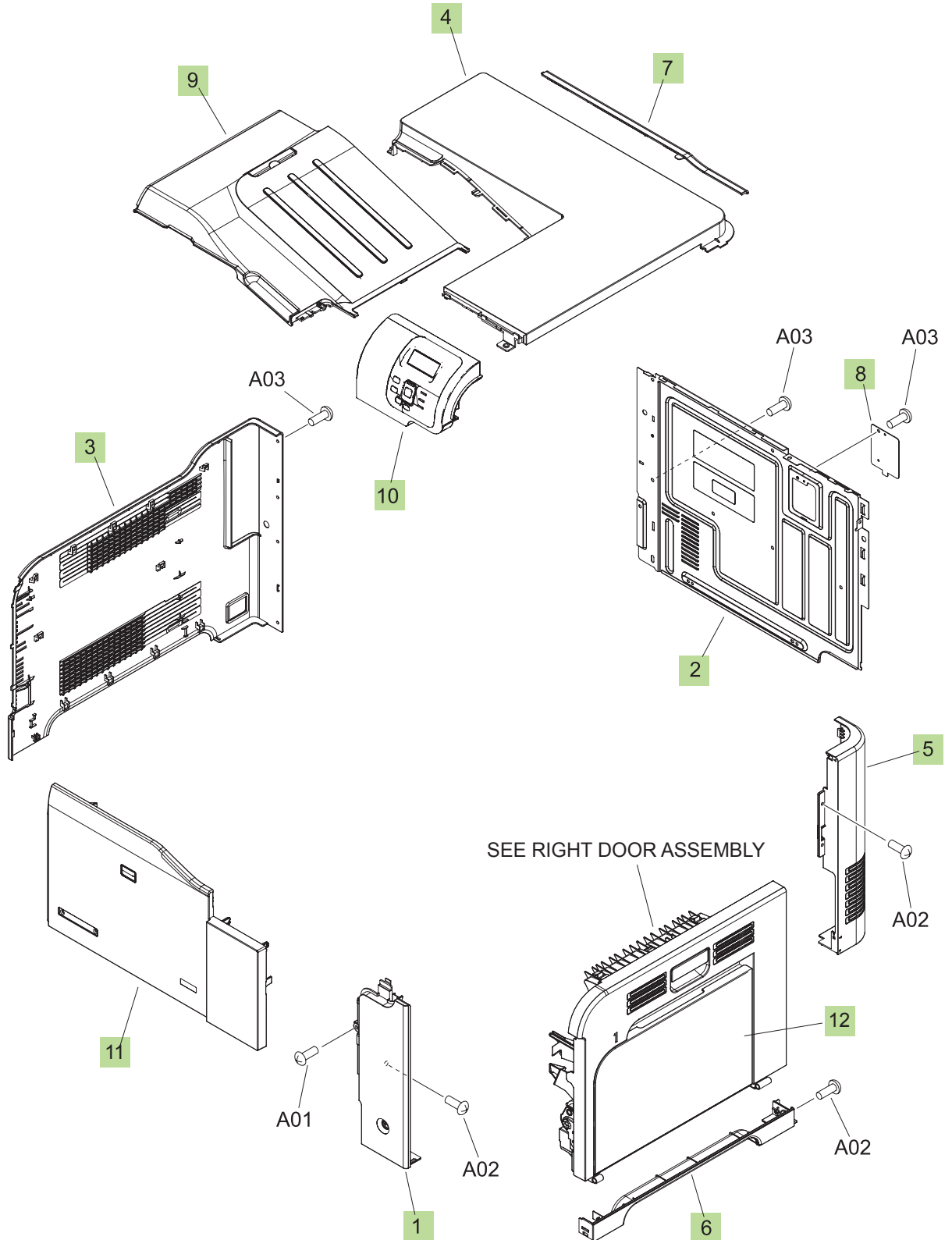


Table 8-2 External covers, panels, and doors;

Ref	Description	Part number	Qty
1	Cover, right front	RC2-5056-000CN	1
2	Cover, rear	RC2-5048-000CN	1
3	Cover, left	RC2-5052-000CN	1
4	Cover, upper	RC2-5054-000CN	1
5	Cover, rear right	RC2-5057-000CN	1
6	Cover, right lower	RC2-5059-000CN	1
8	Plate, blanking	RC2-5938-000CN	1
9	Tray, paper delivery	RL1-1941-000CN	1
10	Control panel assembly	RM1-5743-000CN	1
11	Front door assembly	RM1-4986-000CN	1
11	Front door kit	CC468-67920	1
12	Right door assembly (duplex)	RM1-4957-000CN	1
12	Right door assembly (simplex)	RM1-5005-000CN	1

Right door assembly

Figure 8-2 Right door assembly

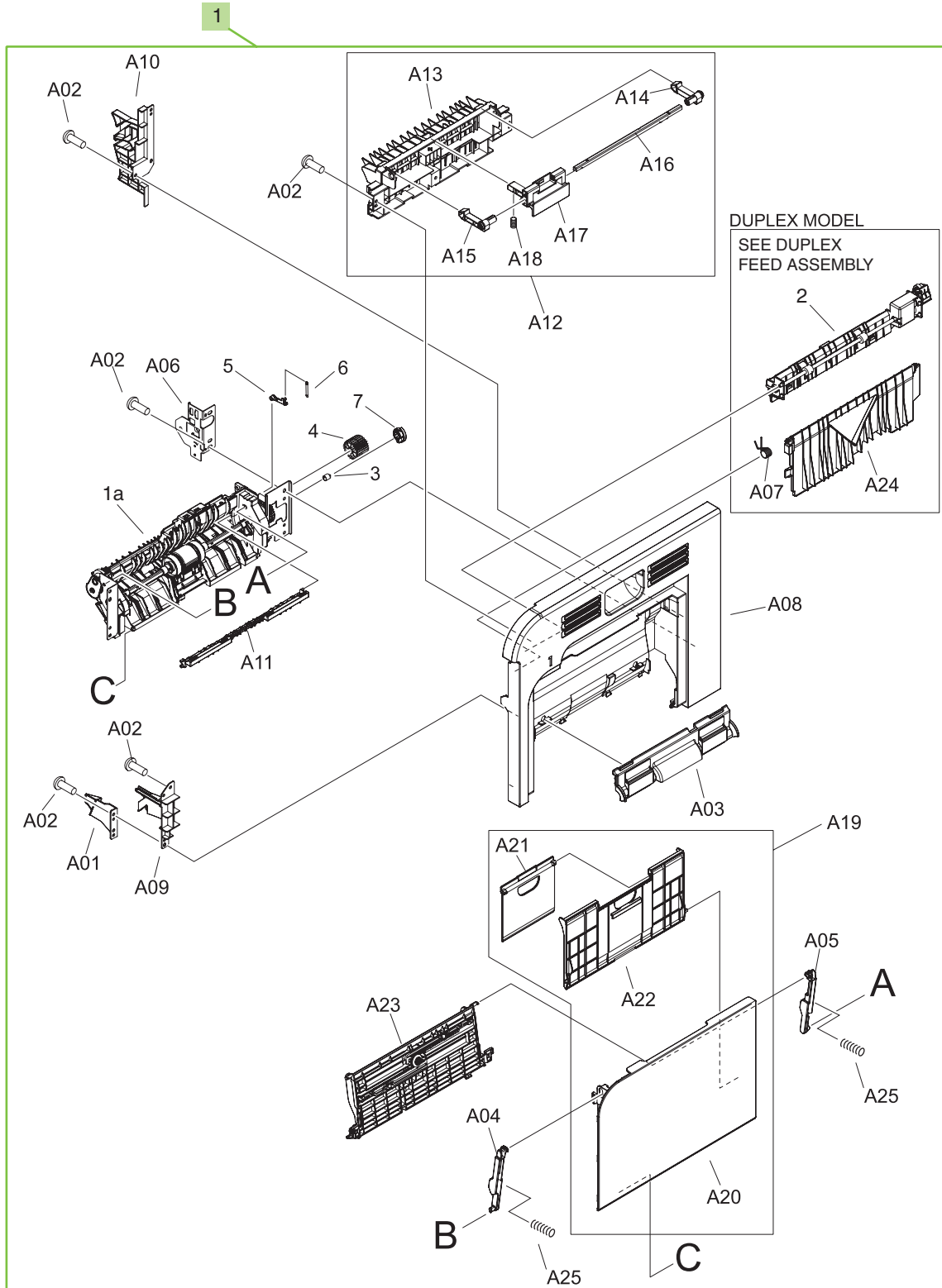


Table 8-3 Right door assembly

Ref	Description	Part number	Qty
1	Right door assembly (duplex)	RM1-4957-000CN	1
1	Right door assembly (simplex)	RM1-5005-000CN	1

Internal components

Internal components (1 of 5)

Figure 8-3 Internal components 1 of 5

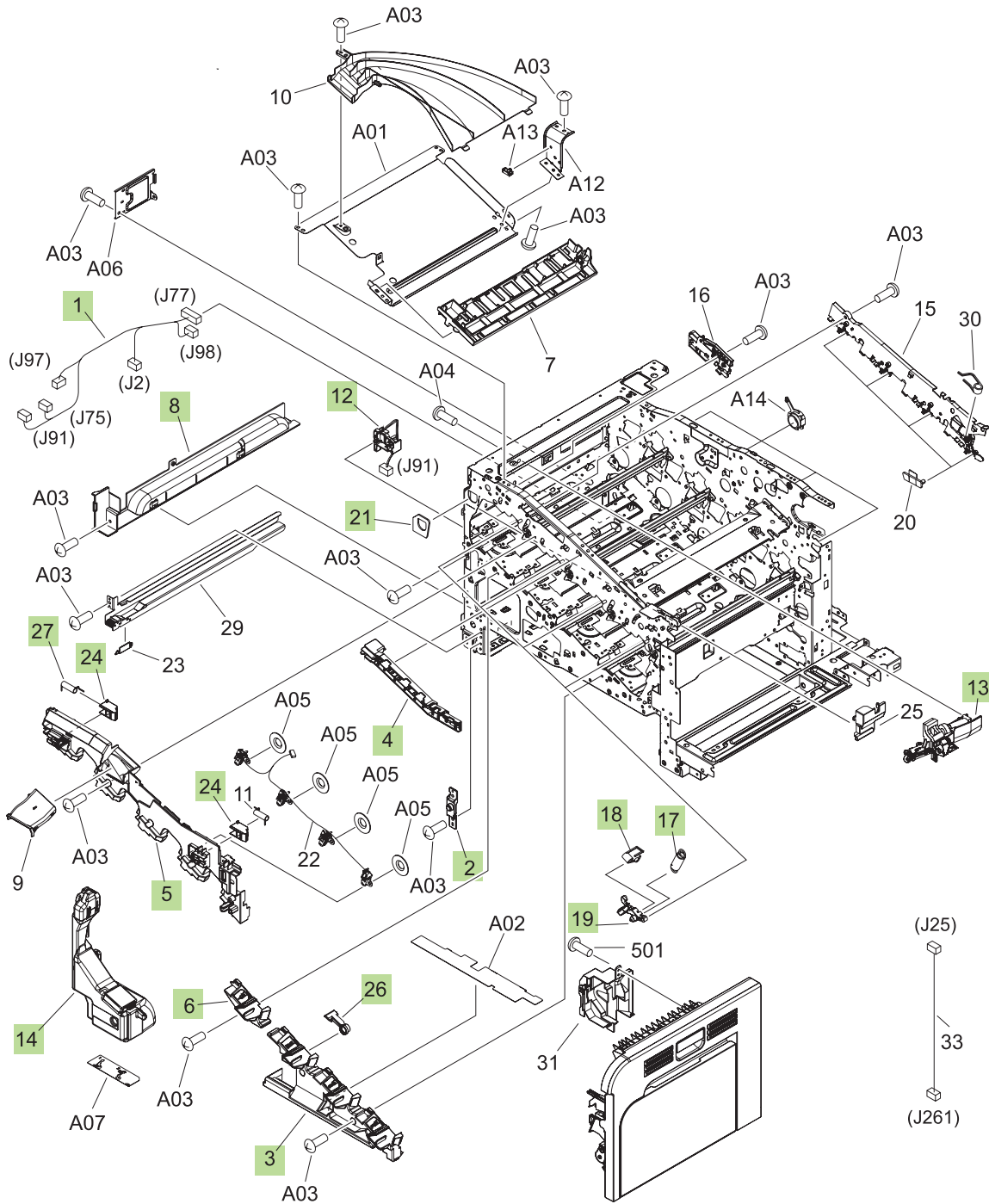


Table 8-4 Internal components (1 of 5)

Ref	Description	Part number	Qty
1	Lifter cable assembly	RM1-5742-000CN	1
3	Cover, front inner lower	RL1-1914-000CN	1
5	Cover, front inner upper	RC2-5006-000CN	1
6	Cover, front inner lower	RL1-1915-000CN	1
8	Cover, left lower	RC2-5069-000CN	1
12	Waste toner detect assembly	RM1-5696-000CN	1
13	Waste toner duct assembly	RM1-4977-000CN	1
14	Toner collection unit kit	CC468-67910	1
17	Spring, tension	RU6-2236-000CN	4
18	Spring, ground	RU6-2237-000CN	4
19	Lever, cartridge pressure front	RC2-3983-000CN	4
21	Seal, waste toner box	RC2-4780-000CN	1
24	Lock, door	RC2-5937-000CN	1
26	Lever, box presence detect	RC2-5951-000CN	1
27	Spring, compression	RU6-2568-000CN	1

Internal components (2 of 5)

Figure 8-4 Internal components 2 of 5

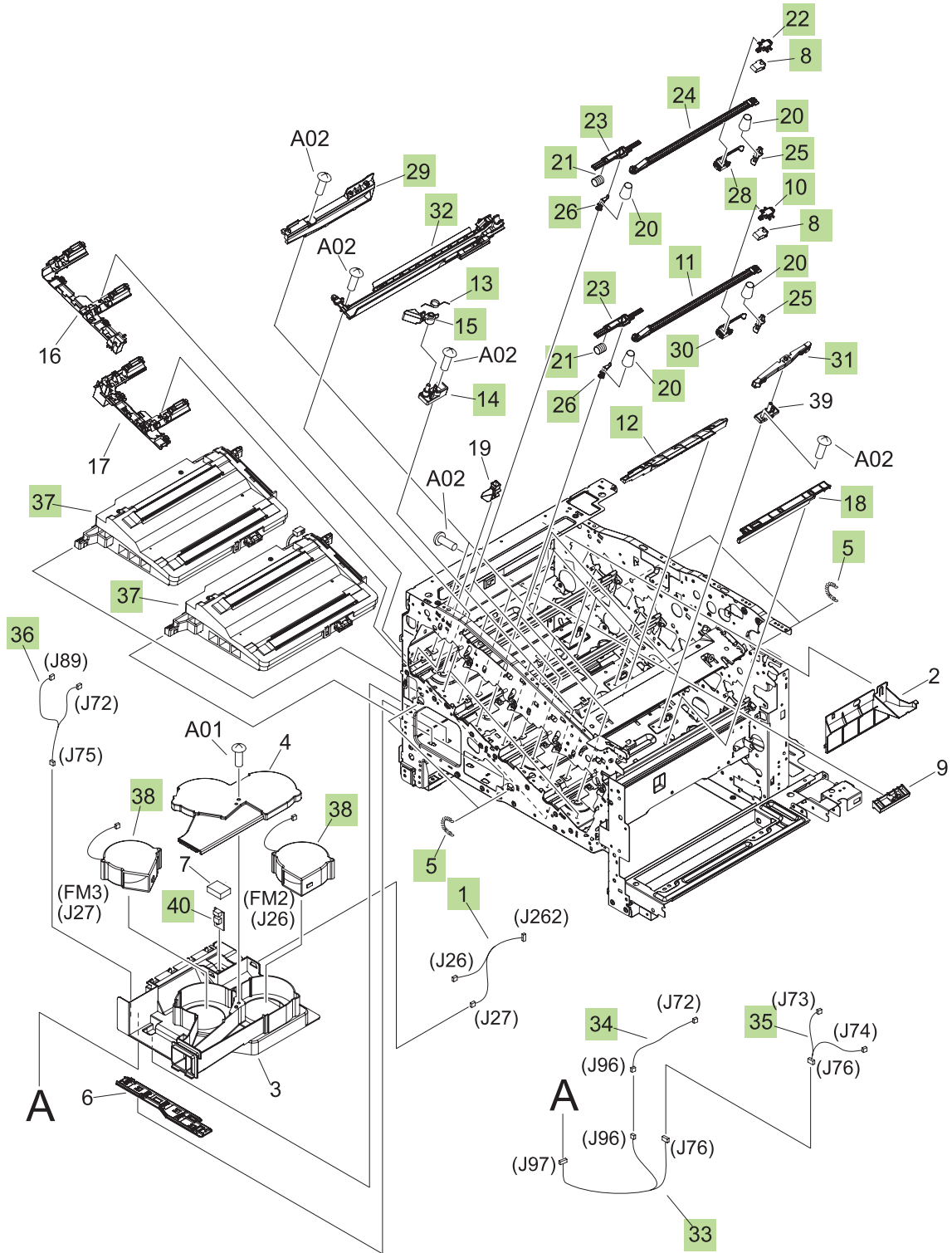


Table 8-5 Internal components (2 of 5)

Ref	Description	Part number	Qty
1	Fan cable assembly	RM1-5746-000CN	1
5	Spring, tension	RU6-2436-000CN	4
8	Spring, leaf	RC2-5970-000CN	4
10	Tab	RC2-5909-000CN	2
11	Shutter	RC2-5910-000CN	2
12	Cover	RC2-5912-000CN	3
13	Spring, torsion	RC2-5958-000CN	3
14	Holder, cartridge lock lever	RC2-5955-000CN	3
15	Lever, cartridge lock	RC2-5954-000CN	3
18	Cover	RC2-5962-000CN	1
20	Spring, compression	RU6-2318-000CN	8
21	Spring, compression	RU6-2316-000CN	4
22	Tab	RC2-4428-000CN	2
23	Lever, shutter	RC2-4415-000CN	4
24	Shutter	RC2-4413-000CN	2
25	Shutter rear arm	RC2-4407-000CN	4
26	Shutter front arm	RC2-4406-000CN	4
28	Base	RL1-2144-000CN	2
29	Toner sensor holder assembly	RM1-5700-000CN	4
30	Base	RL1-1923-000CN	2
31	Base assembly	RM1-4979-000CN	4
32	Lower cartridge guide assembly	RM1-4984-000CN	4
33	Connecting cable assembly	RM1-5749-000CN	1
34	Sensor cable assembly	RM1-5740-000CN	1
35	Sensor cable assembly	RM1-5741-000CN	1
36	Motor/sensor cable assembly	RM1-5752-000CN	1
37	Scanner assembly kit (one scanner only)	CC468-67917	1
38	Fan	RK2-2418-000CN	2
40	Sensor unit, Tmp/Hum sensor	RK2-2229-000CN	1

Internal components (3 of 5)

Figure 8-5 Internal components 3 of 5

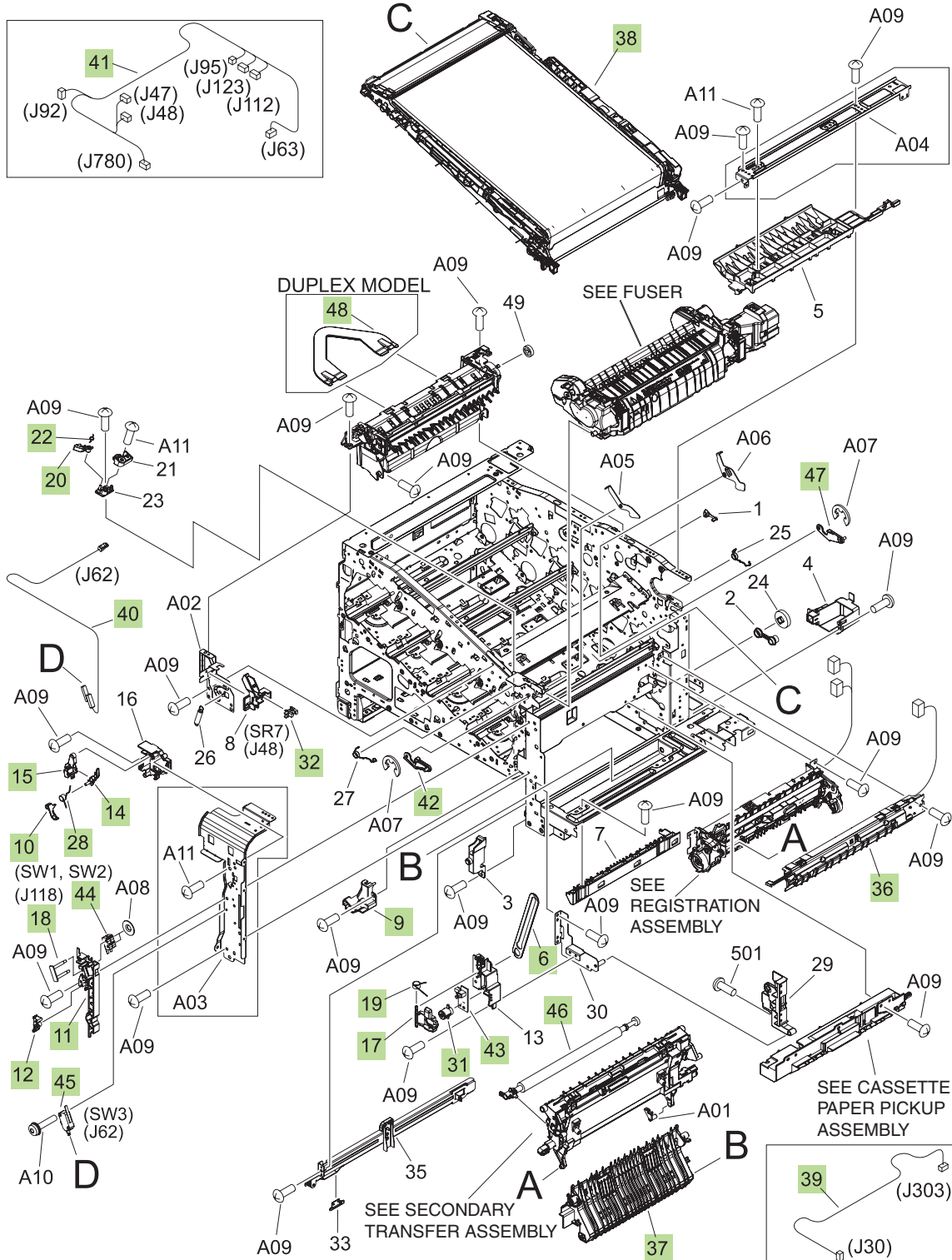


Table 8-6 Internal components (3 of 5)

Ref	Description	Part number	Qty
6	Link, door stopper right	RC2-4916-000CN	1
9	Cover, right lower inner	RC2-5019-000CN	1
10	Interlock link	RC2-5120-000CN	1
11	Interlock switch mount	RC2-5123-000CN	1
12	Interlock link switch arm	RC2-5121-000CN	1
14	Interlock link	RC2-5119-000CN	1
15	Interlock link	RC2-5118-000CN	1
17	Switch lever	RC2-5124-000CN	1
18	Shaft	RC2-5913-000CN	1
19	Spring, torsion	RC2-5934-000CN	1
20	Cartridge lock lever	RC2-5954-000CN	1
22	Spring, torsion	RC2-5958-000CN	1
28	Interlock link	RC2-5122-000CN	1
31	Power supply button	RL1-1947-000CN	1
32	Photo interrupter, TLP1243	WG8-5696-000CN	1
36	Density detect sensor assembly	RM1-4953-000CN	1
37	Lower pick up guide assembly	RM1-4980-000CN	1
38	ITB kit	CC468-67907	1
39	Control panel cable assembly	RM1-5743-000CN	1
40	Switch cable assembly	RM1-5718-000CN	1
41	Front cable assembly	RM1-5723-000CN	1
42	Front lock arm assembly	RM1-5532-000CN	1
43	Power supply switch assembly	RM1-5697-000CN	1
44	Door switch assembly	RM1-5732-000CN	1
45	Switch	WC4-5171-000CN	1
46	Secondary transfer (T2) roller kit	CC468-67914	1
47	Rear lock arm assembly	RM1-5533-000CN	1
48	Duplex reverse guide kit	CC468-67913	1

Table 8-7 Internal components (4 of 5)

Ref	Description	Part number	Qty
1	Fusing (fixing) connecting cable assembly	RM1-5714-000CN	1
2	Door stopper right link	RC2-4916-000CN	1
6	Fan	RK2-2416-000CN	1
11	Switch arm	RC2-5943-000CN	1
16	Scanner flat cable	RK2-2506-000CN	1
17	Rear cable assembly	RM1-5721-000CN	1
18	Switch connecting cable assembly	RM1-5719-000CN	1
19	Scanner flat cable	RK2-2508-000CN	1
24	Right door rear hinge	RC2-4895-000CN	1
25	MP sensor cable assembly (simplex)	RM1-5750-000CN	1
27	MP sensor cable assembly (duplex)	RM1-5737-000CN	1

Internal components (5 of 5)

Figure 8-7 Internal components 5 of 5

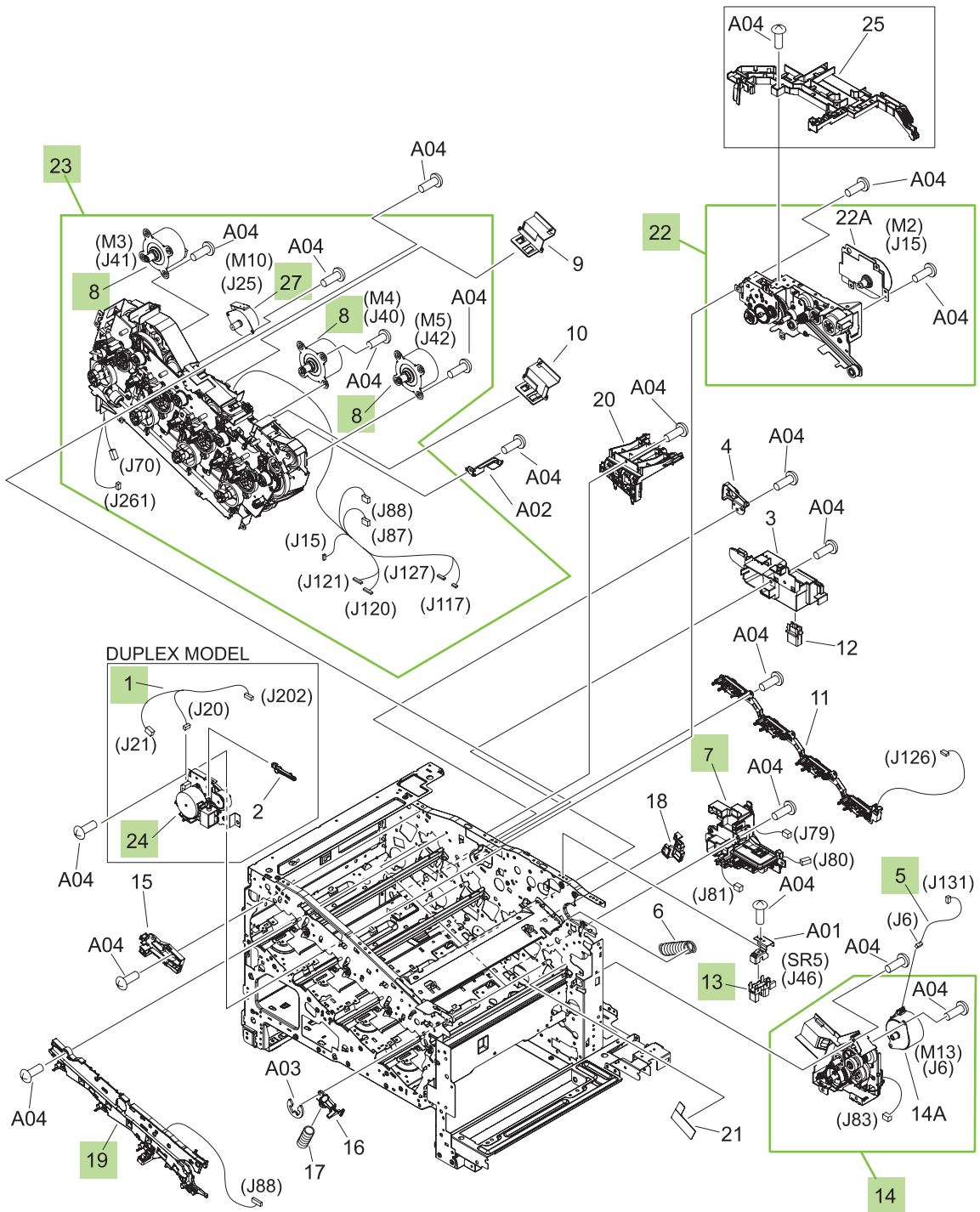


Table 8-8 Internal components (5 of 5)

Ref	Description	Part number	Qty
1	Duplexing unit cable assembly	RM1-5730-000CN	1
5	Pick up motor cable assembly	RM1-5731-000CN	1
7	Lifter drive assembly	RM1-4976-000CN	1
8	Drum motor assembly	RM1-4988-000CN	3
13	Photo interrupter, TLP1243	WG8-5696-000CN	1
14	Cassette paper pick up drive assembly with motor	RM1-4975-000CN	1
19	Rear Pre-exposure PCA assembly	RM1-5705-000CN	1
22	Fusing (fixing) drive assembly with motor (duplex)	RM1-4974-000CN	1
22	Fusing (fixing) drive assembly with motor (simplex)	RM1-5001-000CN	1
23	Main drive assembly kit	CC468-67918	1
24	Duplexing drive assembly	RM1-4973-000CN	1
27	Stepping motor, DC (developing disengagement)	RK2-2415-000CN	1

Cassette

Figure 8-8 Cassette

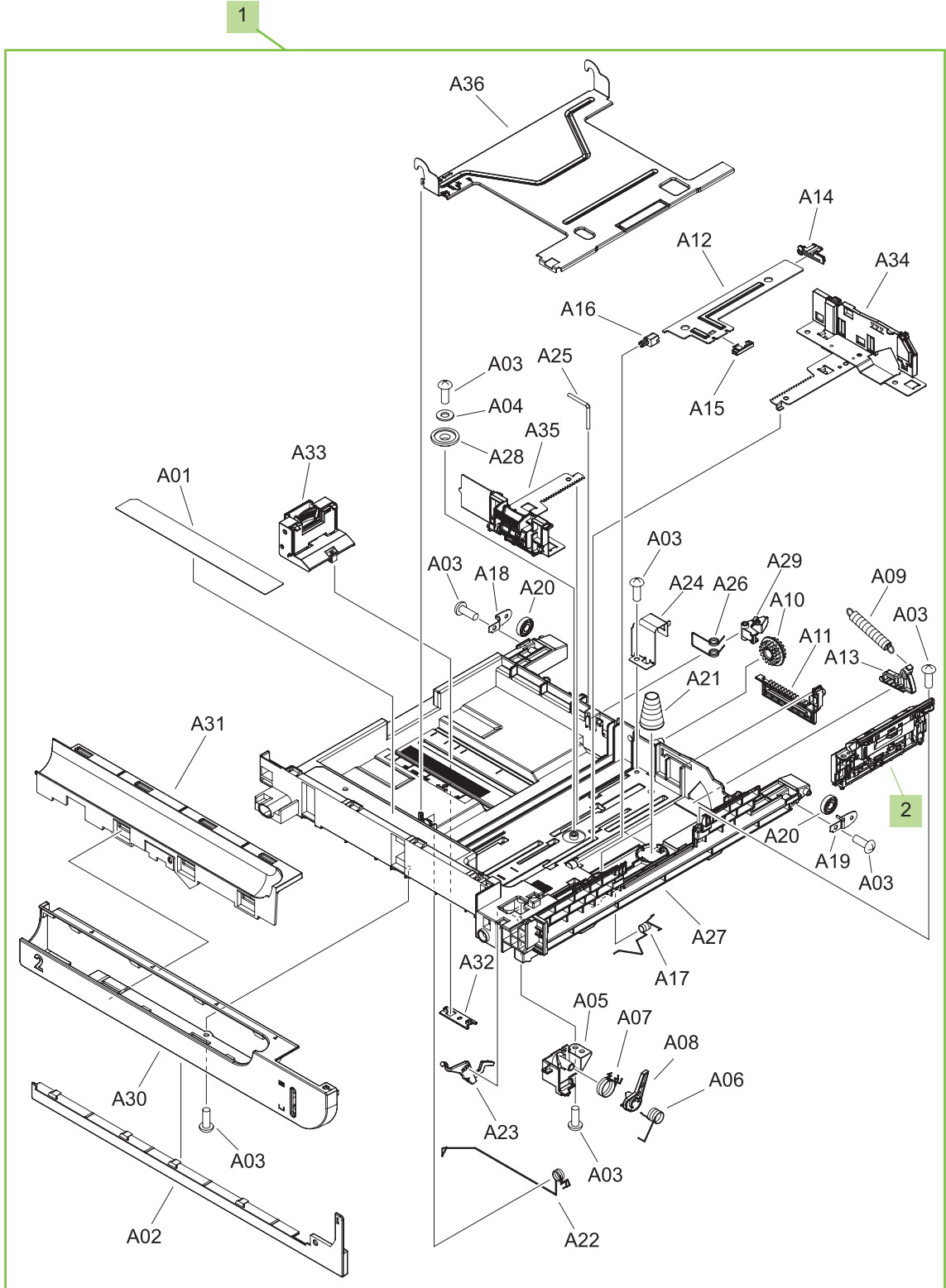


Table 8-9 Cassette

Ref	Description	Part number	Qty
1	250 sheet cassette	RM1-4962-000CN	1
2	Separation roller assembly (250 tray)	CC468-67911	1

Cassette paper pickup assembly

Figure 8-9 Cassette paper pickup assembly

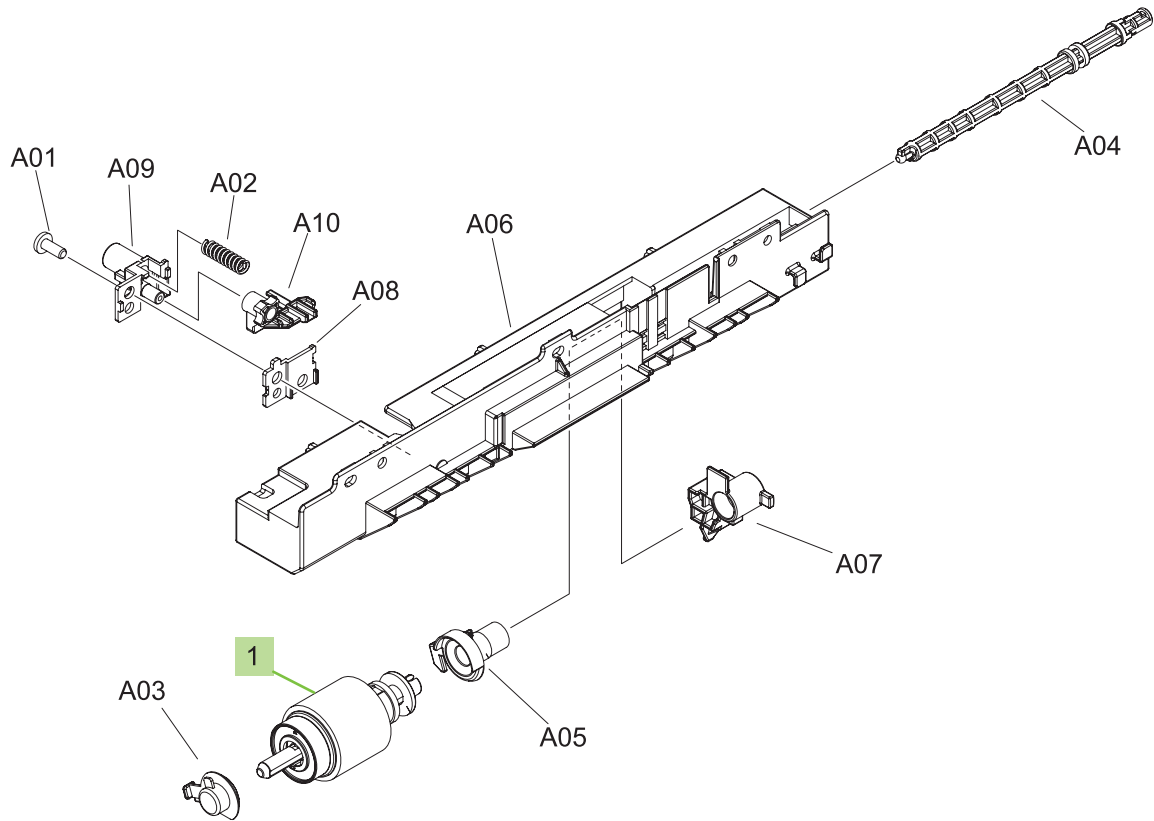


Table 8-10 Cassette paper pickup assembly

Ref	Description	Part number	Qty
1	Pickup roller (250 cassette)	CC468-67911	1

MP paper pickup assembly

Figure 8-10 MP paper pickup assembly

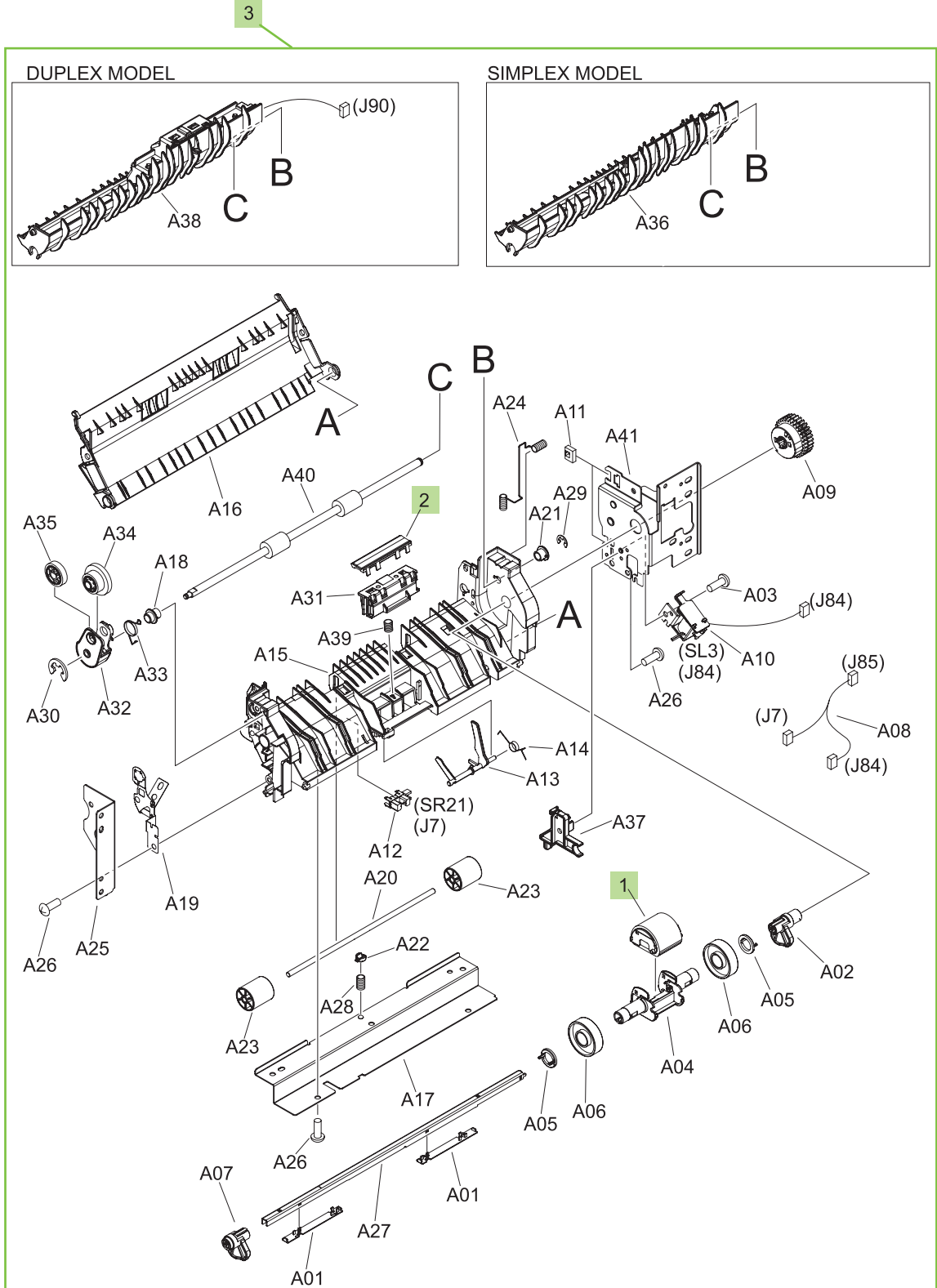


Table 8-11 MP paper pickup assembly

Ref	Description	Part number	Qty
1	Pickup roller (MP)	CC468-67911	1

Registration assembly

Figure 8-11 Registration assembly

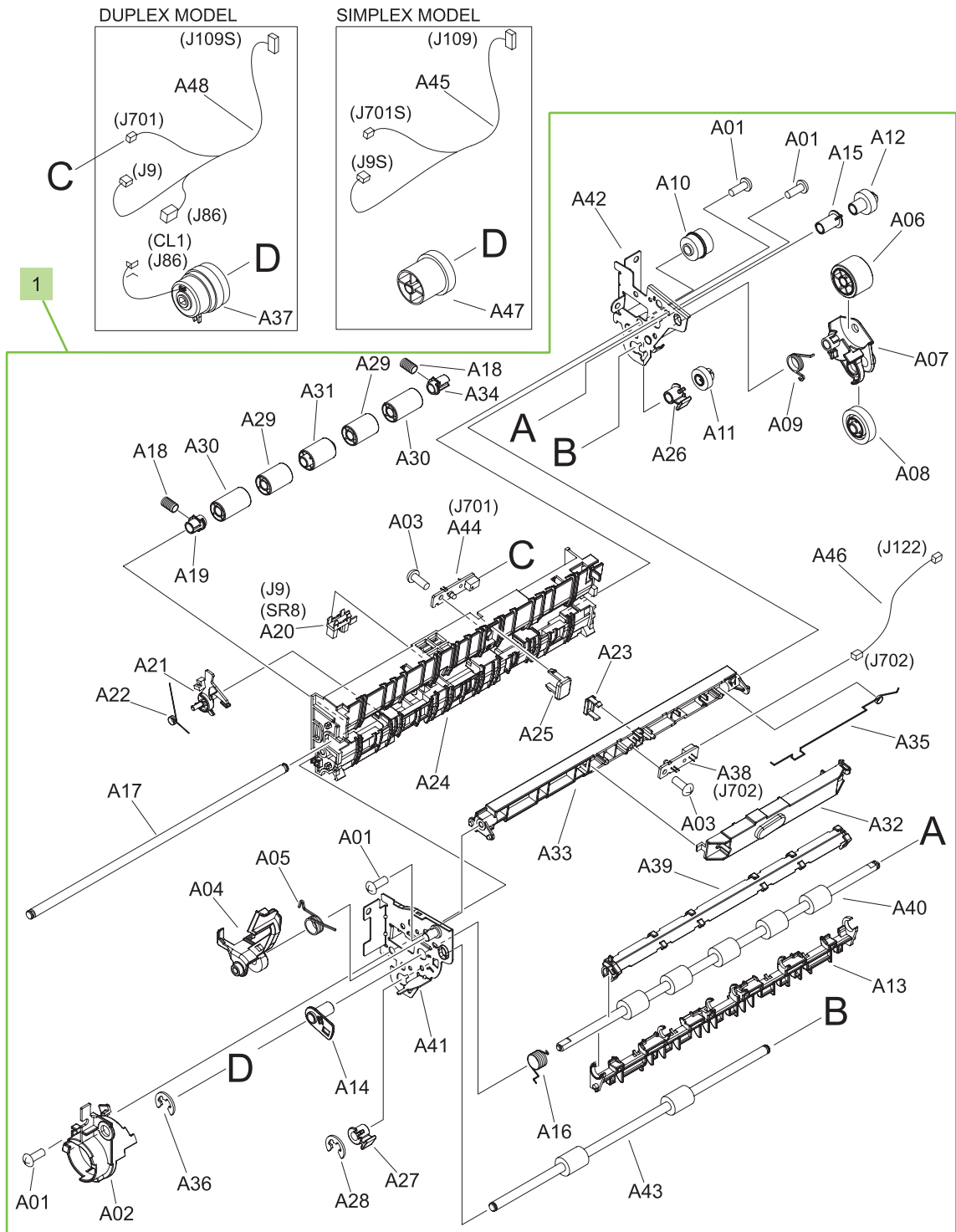


Table 8-12 Registration assembly

Ref	Description	Part number	Qty
1	Registration assembly (simplex)	RM1-5009-000CN	1
1	Registration assembly (duplex)	RM1-4969-000CN	1

Secondary transfer assembly

Figure 8-12 Secondary transfer assembly

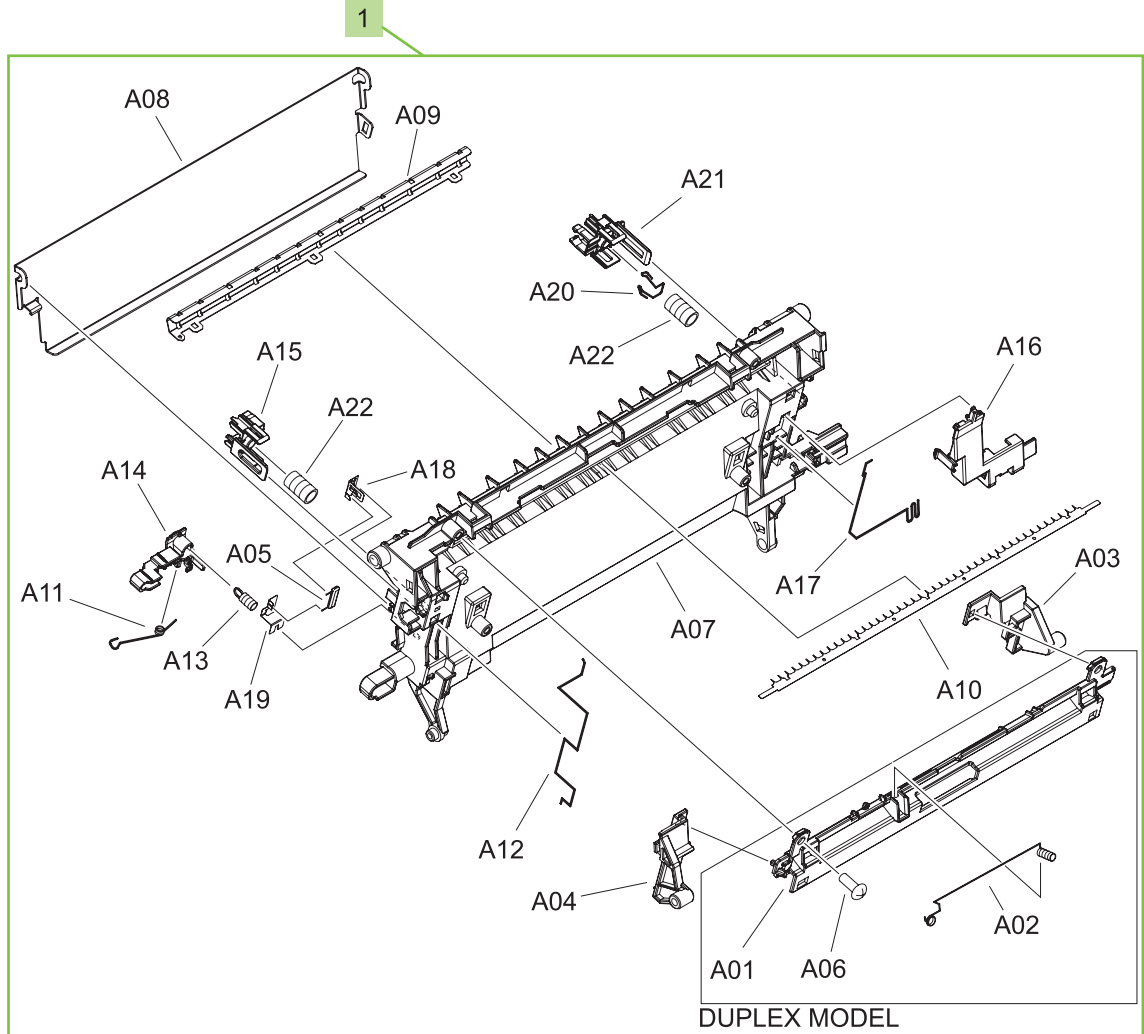


Table 8-13 Secondary Transfer assembly

Ref	Description	Part number	Qty
1	Secondary transfer assembly (simplex) kit	CC468-67916	1
1	Secondary transfer assembly (duplex) kit	CC468-67915	1

Delivery assembly

Figure 8-13 Delivery assembly

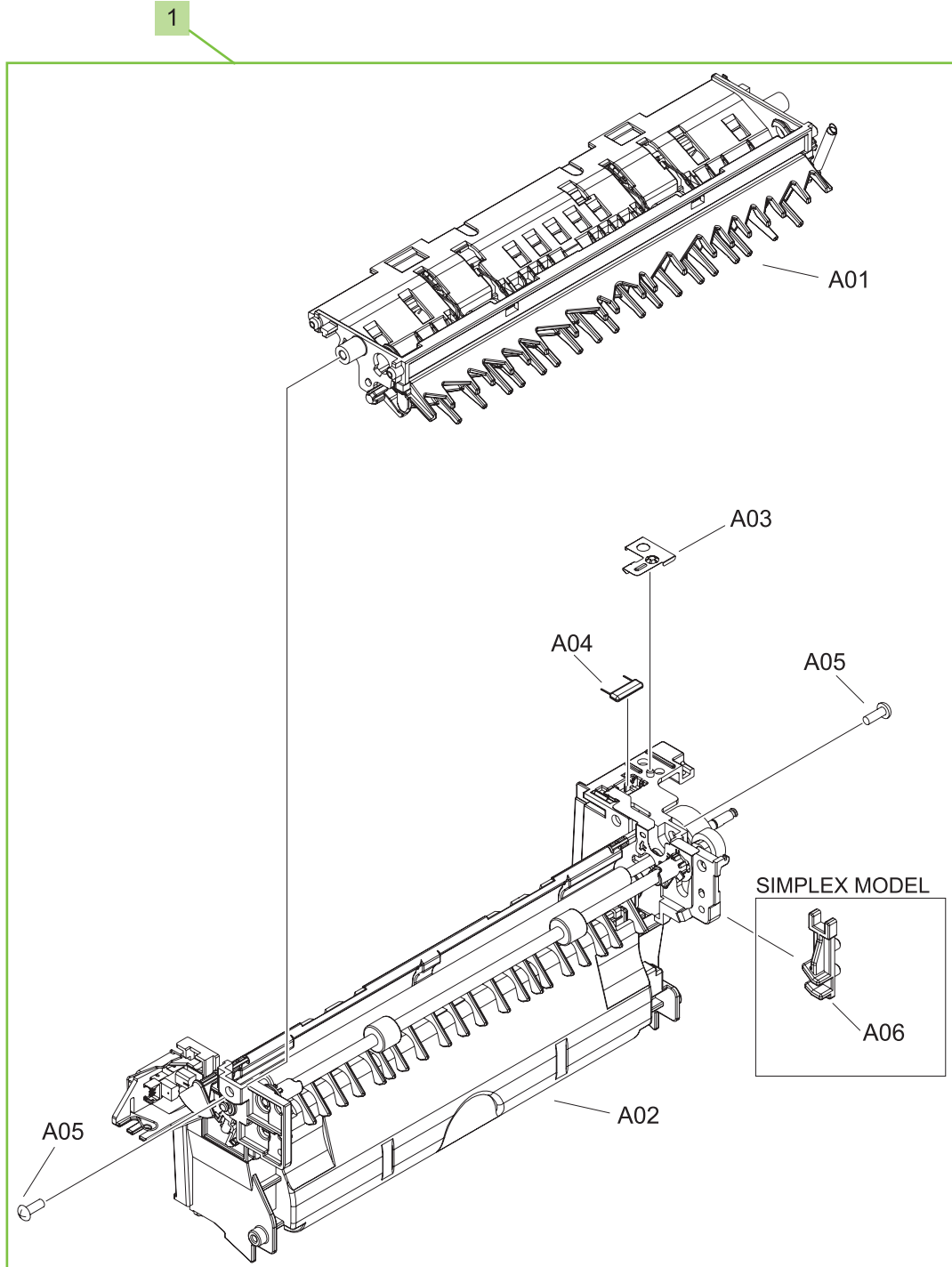


Table 8-14 Delivery assembly

Ref	Description	Part number	Qty
1	Paper delivery assembly (simplex)	RM1-5003-000CN	1
1	Paper delivery assembly (duplex)	RM1-4970-000CN	1

Fusing (fixing) assembly

Figure 8-14 Fusing (fixing) assembly (1 of 2)

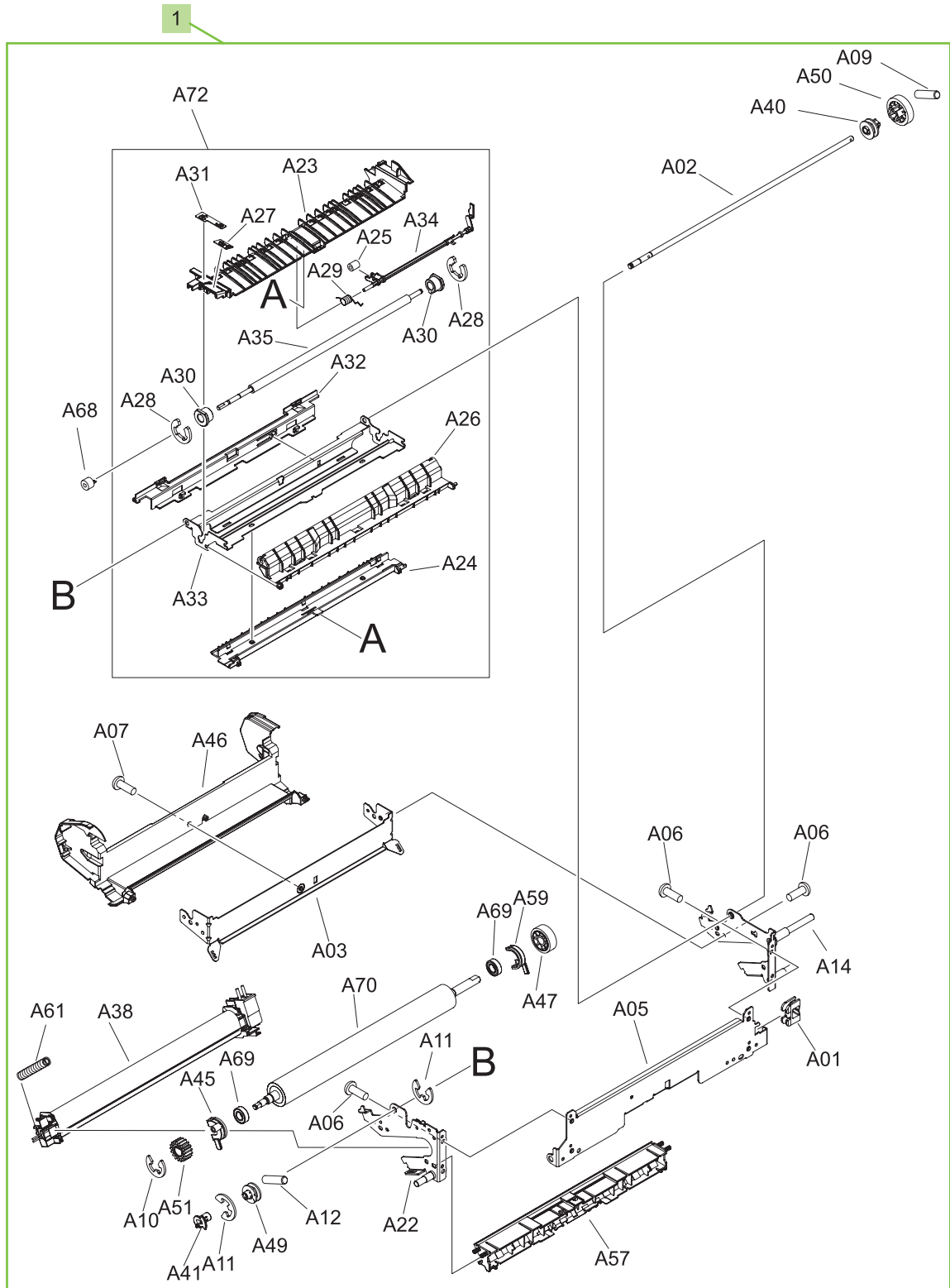


Figure 8-15 Fusing (fixing) assembly (2 of 2)

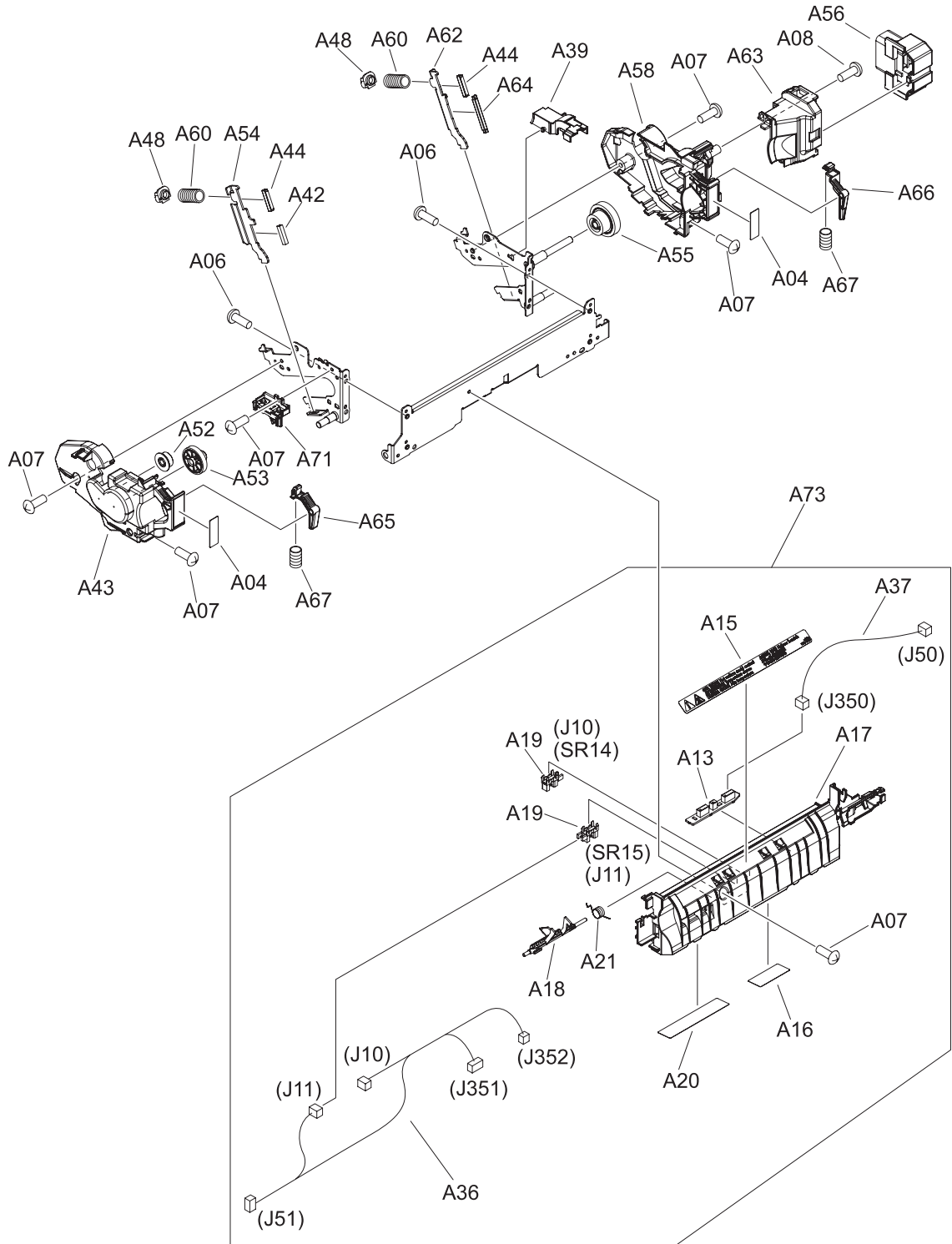


Table 8-15 Fusing assembly

Ref	Description	Part number	Qty
1	Fuser (fixing) 110 V assembly kit	CC519-67901	1
1	Fuser (fixing) 220 V assembly kit	CC519-67902	1

PCAs

Figure 8-16 PCAs

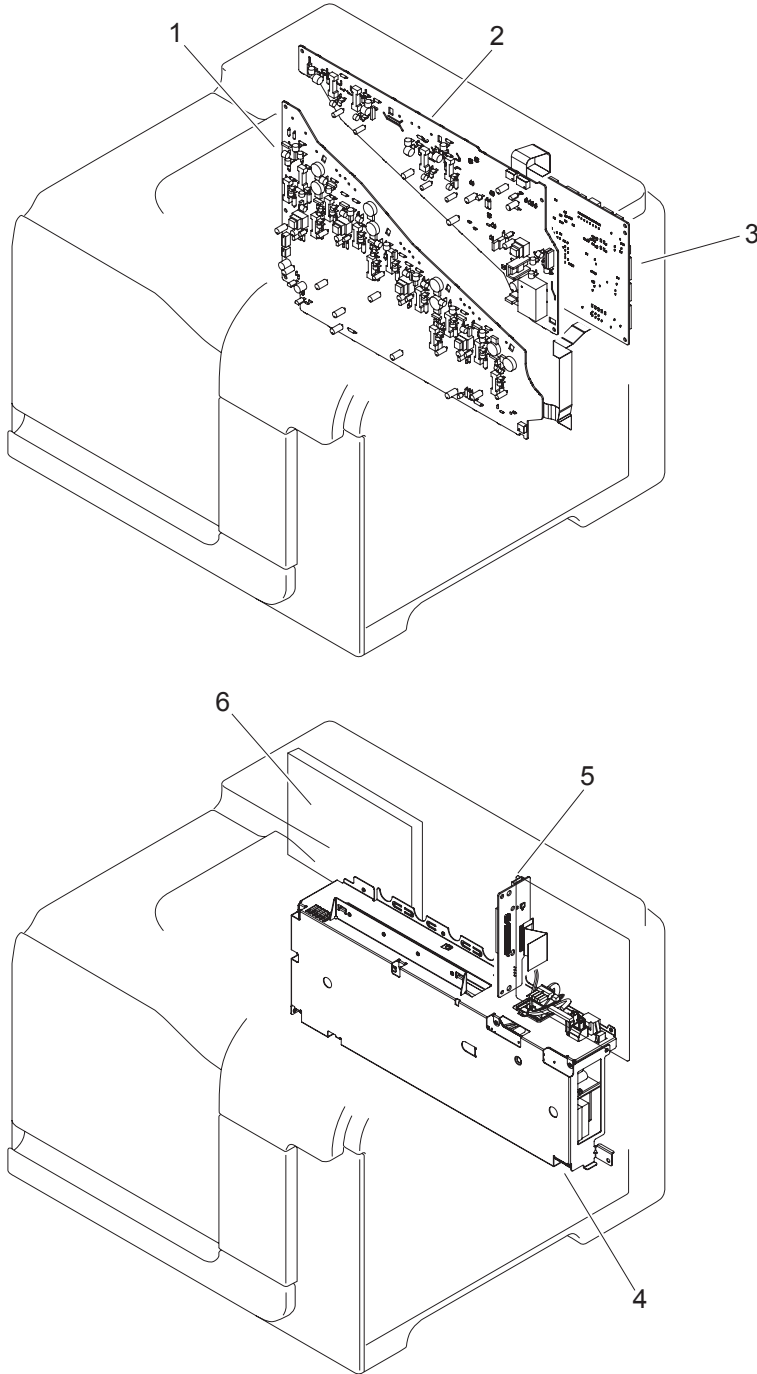


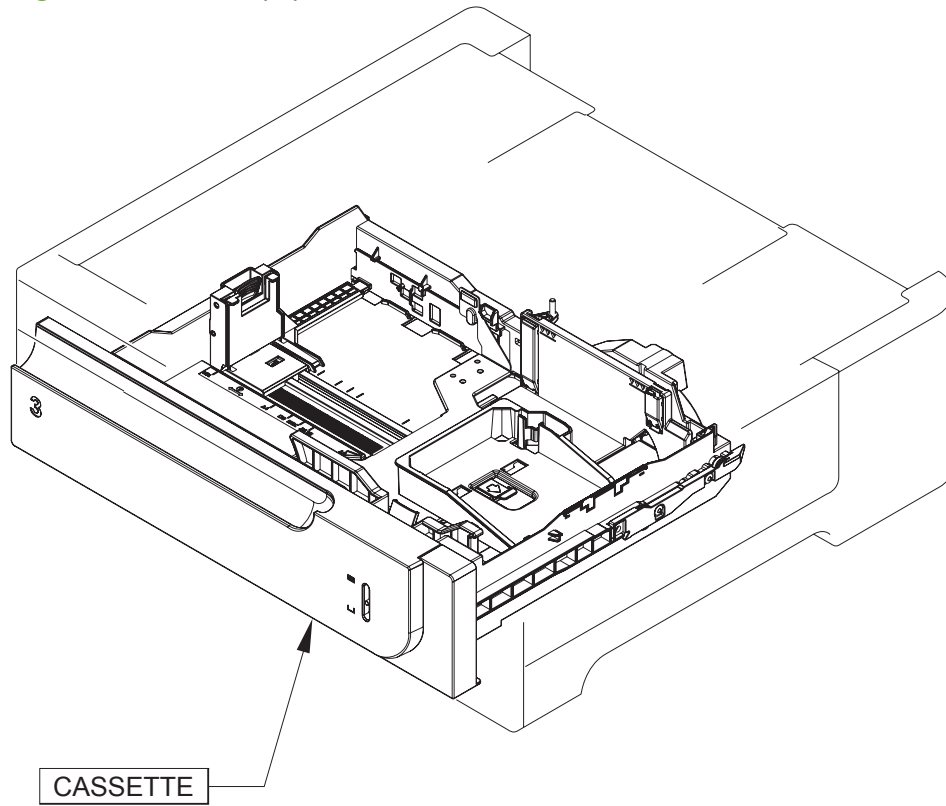
Table 8-16 PCAs

Ref	Description	Part number	Qty
1	Lower HVPS-D PCA assembly	RM1-5680-000CN	1
2	Upper HVPS-T PCA assembly	RM1-5681-000CN	1
3	DC controller PCA assembly	RM1-5678-000CN	1
4	LVPS 110V	RM1-5685-000CN	1
4	LVPS 220V	RM1-5686-000CN	1
5	Inner connecting PCA assembly	RM1-5695-000CN	1
6	Formatter assembly	CE859-69001	1

Assesories

1 x 500 paper feeder

Figure 8-17 1 x 500 paper feeder



1 x 500 paper feeder

Figure 8-18 1 x 500 paper feeder

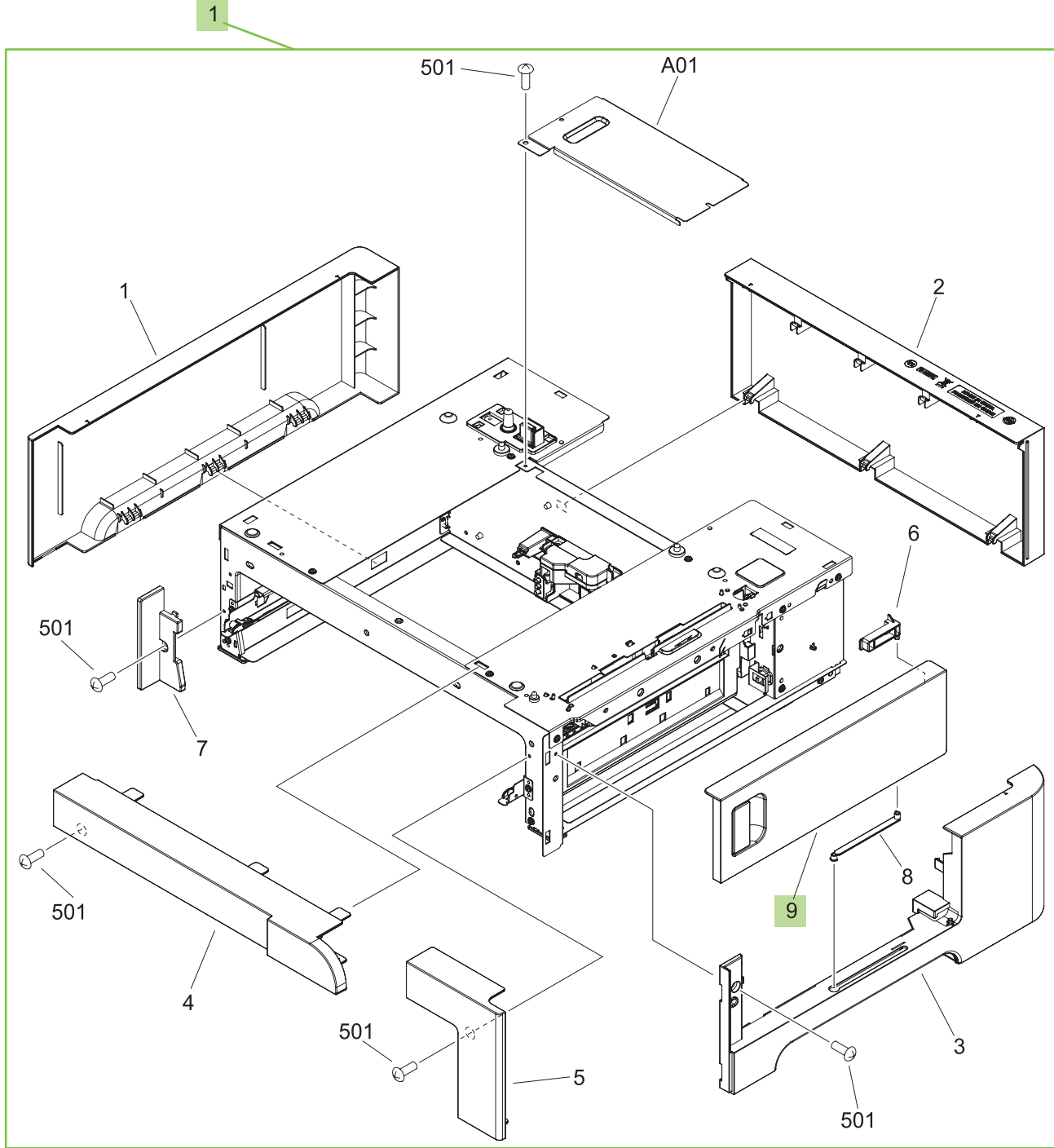


Table 8-17 1 x 500 paper feeder

Ref	Description	Part number	Qty
1	1 x 500 sheet feeder replacement kit	CC468-67905	1
9	1 x 500 sheet feeder right door kit	CC468-67906	1

Paper feeder main body

Figure 8-19 Paper feeder main body

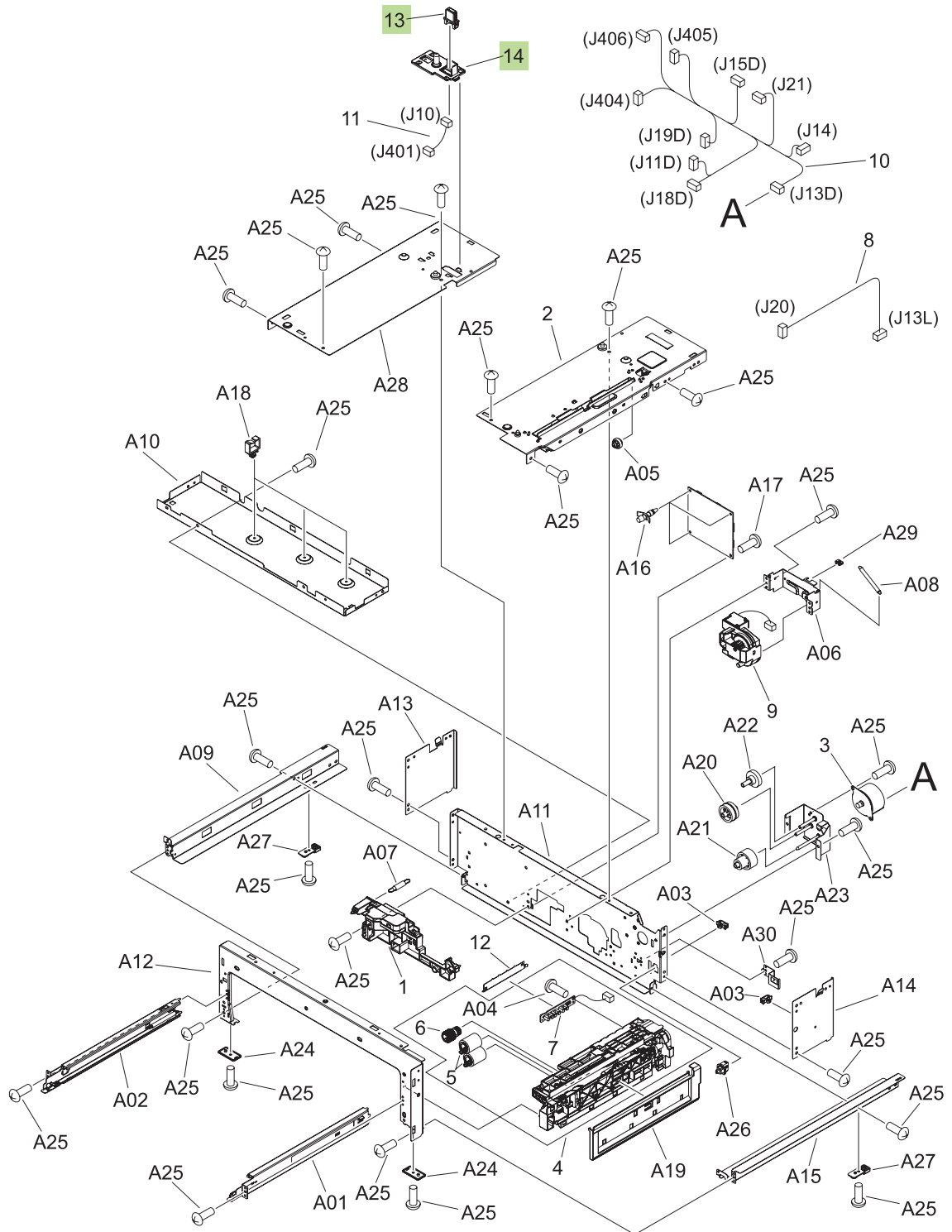


Table 8-18 Paper feeder main body

Ref	Description	Part number	Qty
5	Roller assembly paper feeder (500 SF)	CC468-67911	1
6	Roller, paper pick up (500 SF)	CC468-67911	1
13	Drawer connector	VSI-7257-007-CN	1
14	Drawer connector holder	RC2-5416-000CN	1

Cassette

Figure 8-20 Cassette

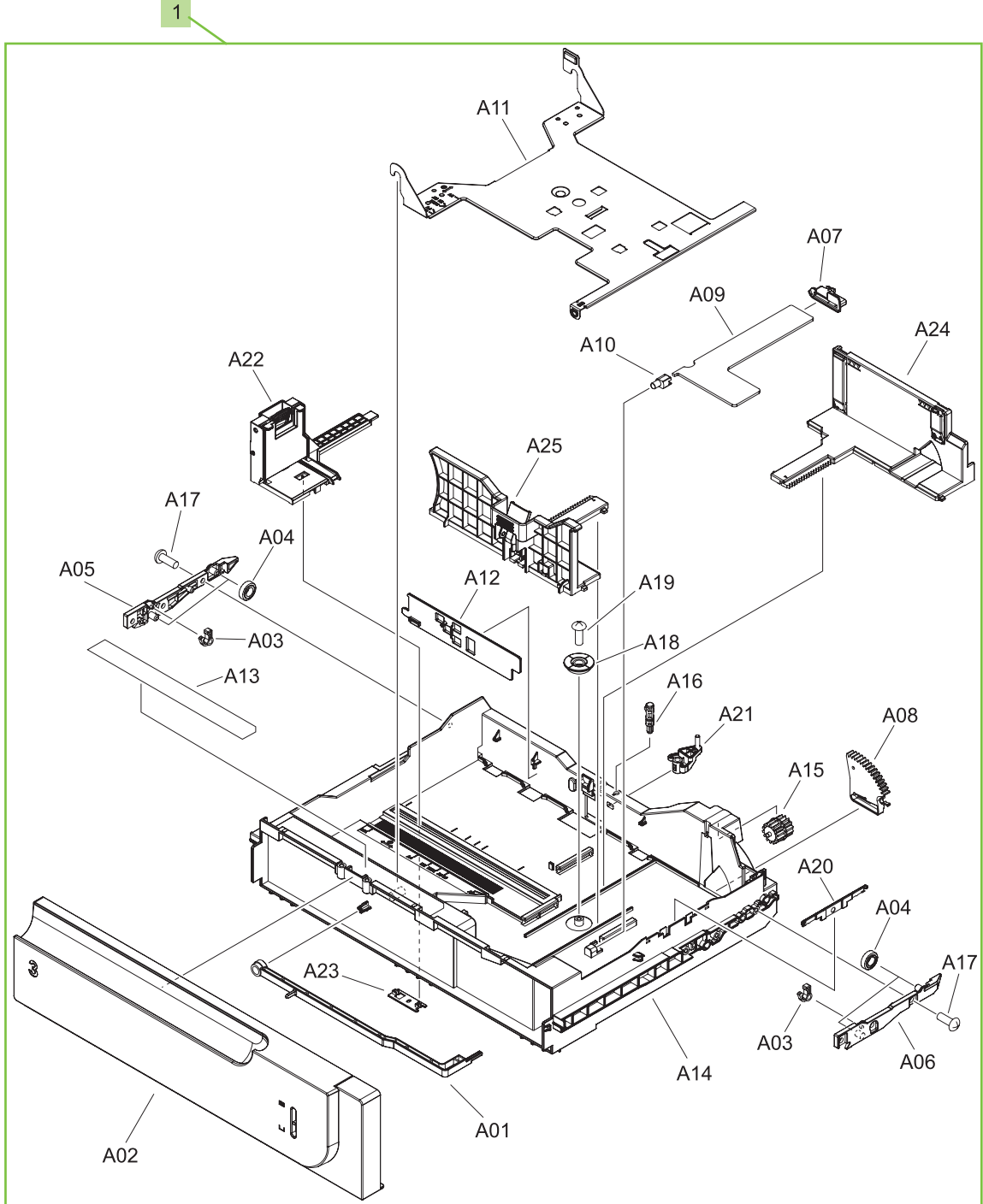


Table 8-19 Cassette

Ref	Description	Part number	Qty
1	500 sf cassette	RM1-6198-000CN	1