
8 Parts and diagrams

 **NOTE:** In this chapter, part numbers are only listed for available replaceable parts.

- [Order parts, accessories, and supplies](#)
- [Part numbers](#)
- [Screws](#)
- [How to use the parts lists and diagrams](#)
- [External components](#)
- [Internal components](#)
- [Major assemblies](#)
- [Optional 250-sheet paper cassette](#)
- [Alphabetical parts list](#)
- [Numerical parts list](#)

Order parts, accessories, and supplies

Order directly from HP


You can obtain the following items directly from HP:

- **Replacement parts:** To order replacement parts in the U.S., go to www.hp.com/go/hpparts. Outside the United States, order parts by contacting your local authorized HP service center.
- **Supplies and accessories:** To order supplies in the U.S., go to www.hp.com/go/ljsupplies. To order supplies worldwide, go to www.hp.com/ghp/buyonline.html. To order accessories, go to www.hp.com/support/ljcp2020series.

Part numbers

Supplies

Product name	Part number	Service part number
Black print cartridge	CC530A	CC530-67901
HP ColorSphere toner		
Cyan print cartridge	CC531A	CC531-67901
HP ColorSphere toner		
Yellow print cartridge	CC532A	CC532-67901
HP ColorSphere toner		
Magenta print cartridge	CC533A	CC533-67901
HP ColorSphere toner		

 **NOTE:** For information about the yield for the cartridges, see www.hp.com/go/pageyield. Actual yield depends on specific use.

Memory

Product name	Description	Part number
Memory upgrades (DIMMs)	64 MB	C1887A
	128 MB	C9121A

Cable and interface accessories

Product name	Description	Part number
USB cable	2-meter standard USB-compatible device connector	Q6264A
	3-meter standard USB-compatible device connector	C6520A


Paper-handling accessories

Product name	Description	Part number
Tray 2	250-sheet input tray	RM1-4860-000CN
Tray 3	250-sheet input tray for standard sizes.	RM1-4901-000CN

User-replaceable parts

Product name	Description	Part number
Legal media cover kit	Optional cover (used when the tray is loaded with Legal-size media) (North America only)	CC434-67903

Whole unit replacement

 **NOTE:** To replace the HP Color LaserJet CP2025 base model, order the HP Color LaserJet CP2025n model.

- CB494-69001
 - HP Color LaserJet CP2025n; 110 V
- CB494-69002
 - HP Color LaserJet CP2025n; 220 V
- CB495-69001
 - HP Color LaserJet CP2025dn; 110 V
- CB495-69002
 - HP Color LaserJet CP2025dn; 220 V

Screws



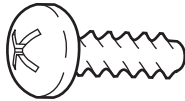

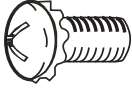

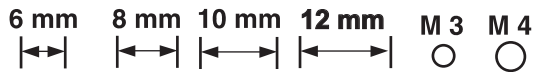
 **NOTE:** The screw illustrations in the following table are for reference only. Screws might vary in size and appearance from those shown in this table.

Table 8-1 Common fasteners

Example	Description	Size	Part Number
	Screw, with washer	M3X8	XA9-1420-000CN
		M4X6	XB2-7400-605CN
		M4X12	XA9-1422-000CN
	Screw, tapping, truss head	M4X10	XB4-7401-005CN
		M4X15	XB4-7401-609CN
	Screw, TP	M3X4	XB6-7300-405CN
		M3X6	XB6-7300-605CN
	Screw, D	M3X6	XA9-1670-000CN
		M3X8	XA9-1671-000CN
	Screw, machine	M3X4	XB6-7300-409CN
	Screw, machine, flat head	M3X4	XA9-0679-000CN
	Screw, machine, flanged pan head	M3X6	XB6-7300-805CN



How to use the parts lists and diagrams

The figures in this chapter show the major subassemblies in the product and their component parts. A parts list table follows each exploded view-assembly diagram. Each table lists the item number, the part number, and a description of each part. If a part is not listed in the table, it is not a field-replacement unit (FRU).

△ **CAUTION:** Be sure to order the correct part. When looking for part numbers for electrical components, pay careful attention to the voltage listed in the description column. Doing so ensures that the part number selected is correct for the product.

📄 **NOTE:** In this manual, the abbreviation “PCA” stands for “printed circuit board assembly.” Components described as a PCA might consist of a single circuit board or a circuit board plus other parts, such as cables and sensors.

External covers and doors

All covers, panels, and doors are listed in [Covers, panels, and doors on page 234](#), with the following exceptions.

- For simplex products, the rear cover and the rear door are listed in [Figure 8-7 Internal components, simplex products \(6 of 7\) on page 246](#).
- For duplex products, the upper-rear cover, lower-rear cover, and the rear door are listed in [Figure 8-8 Internal components, duplex products \(7 of 7\) on page 248](#).

External components

Covers, panels, and doors

Figure 8-1 Covers, panels, and doors

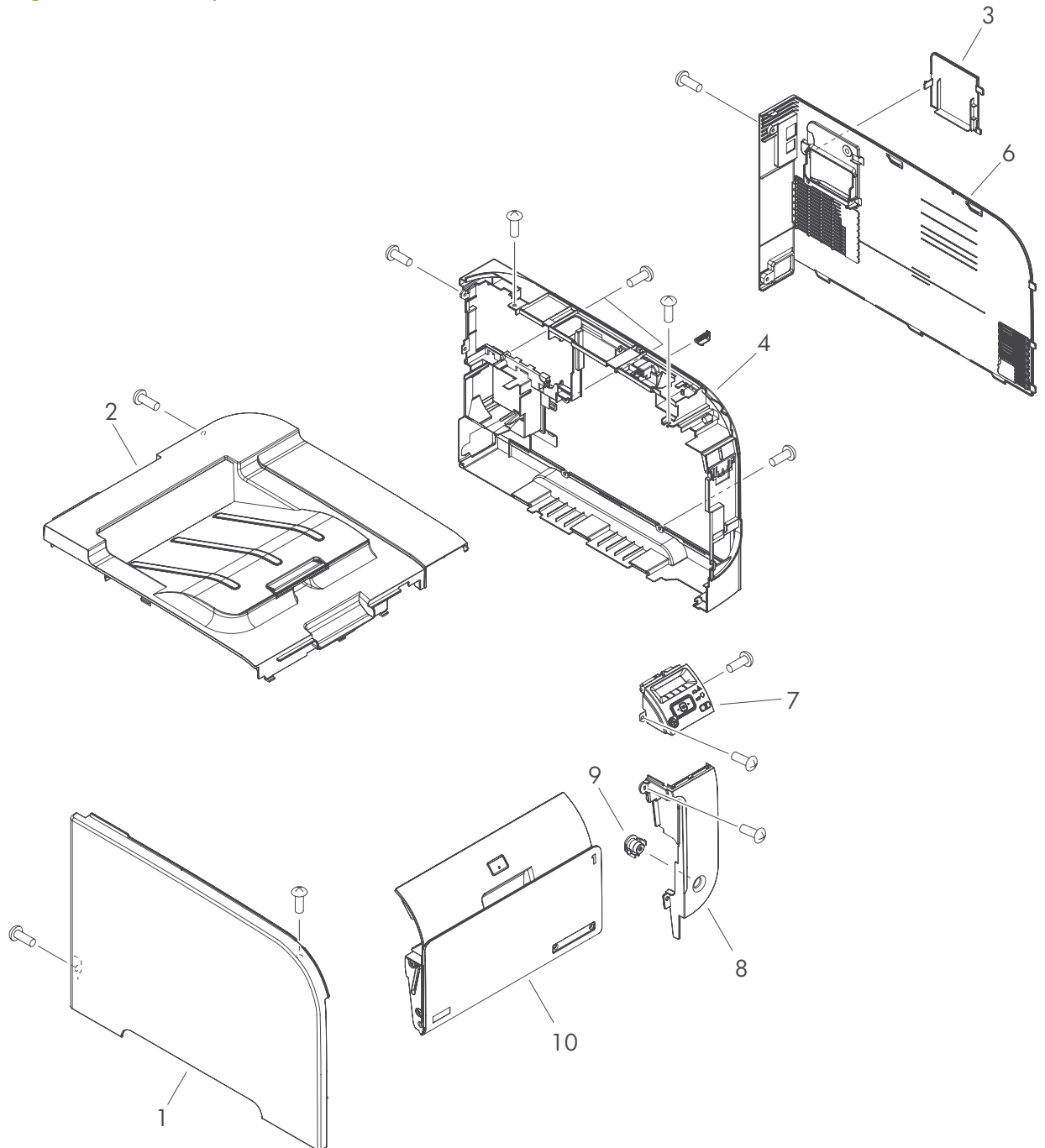


Table 8-2 Covers, panels, and doors

Ref	Description	Part number	Qty
1	Cover, left	RC2-3606-000CN	1
2	Cover, upper assembly	RM1-4831-000CN	1
3	Cover, DIMM	RC2-3614-000CN	1
4	Panel, right	RC2-3610-000CN	1
6	Cover, right	RC2-3618-000CN	1
7	Control-panel assembly	RM1-4832-000CN	1
8	Cover, right-front	RC2-3611-000CN	1
9	Button, power	RC2-3612-000CN	1
10	Door, front assembly	RM1-4848-000CN	1

Internal components

Internal components (1 of 7)

Figure 8-2 Internal components (1 of 7)

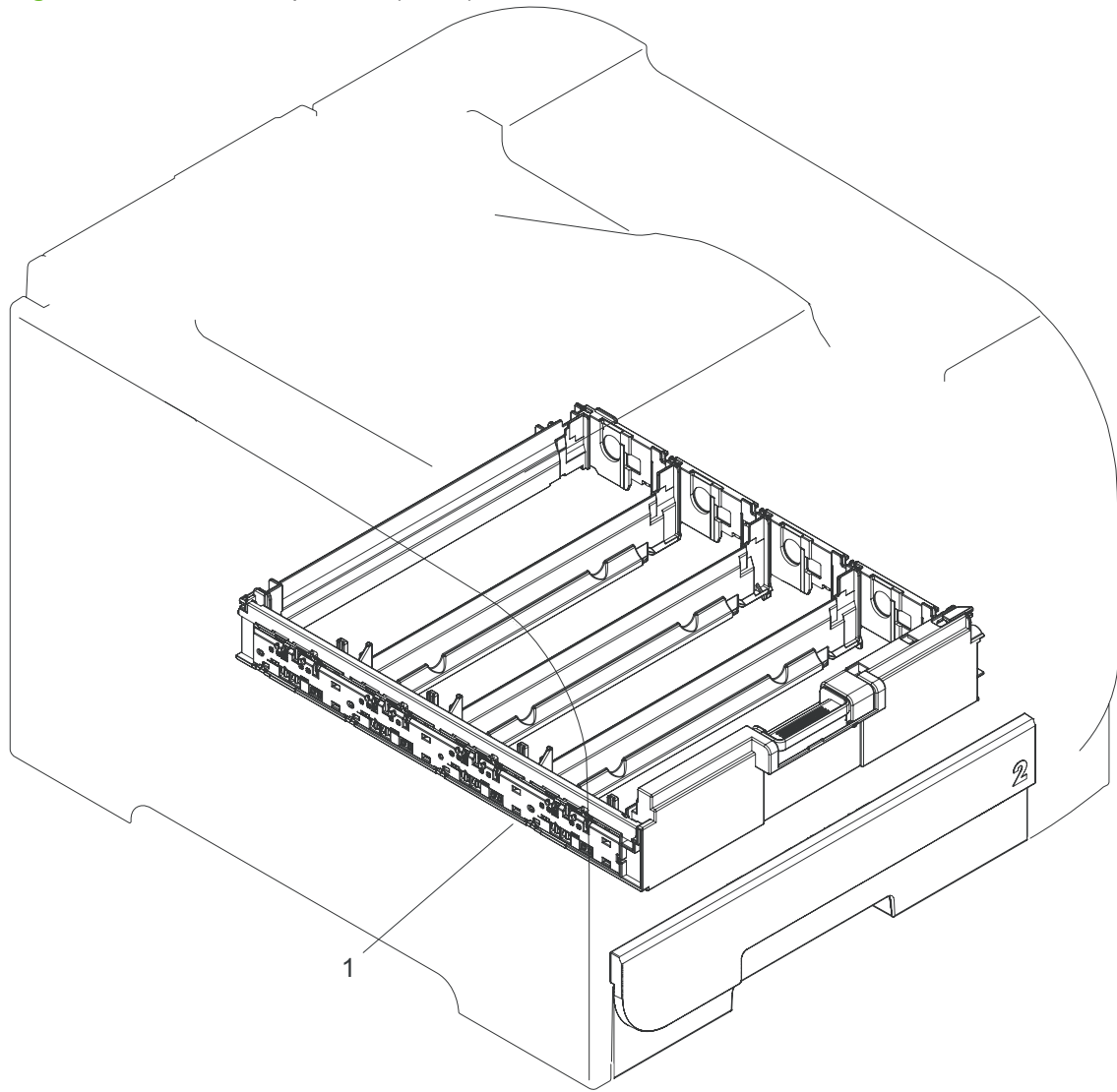


Table 8-3 Internal components (1 of 7)

Ref	Description	Part number	Qty
1	Cartridge-tray assembly	RM1-4836-000CN	1

Internal components (2 of 7)

Figure 8-3 Internal components (2 of 7)

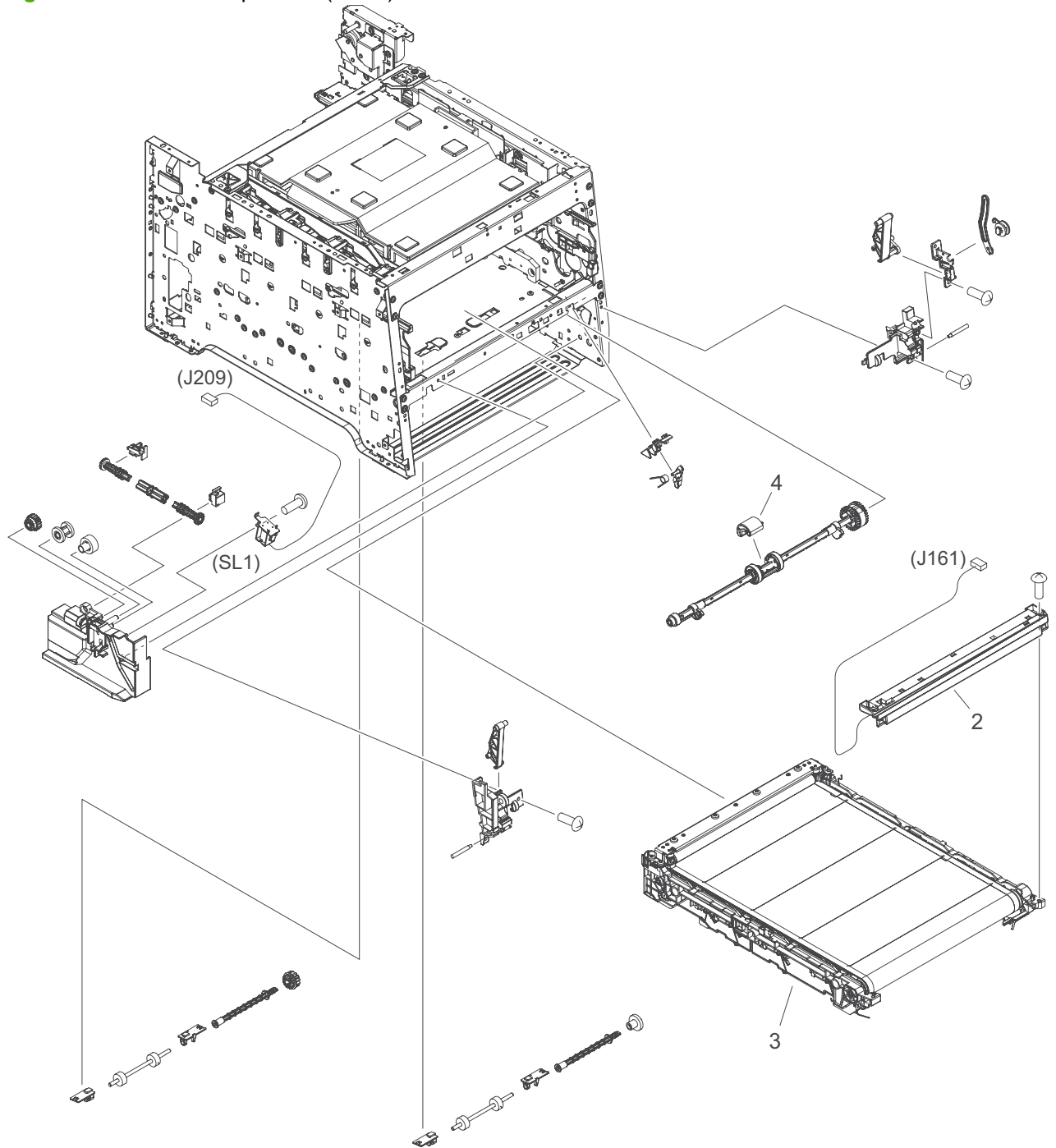


Table 8-4 Internal components (2 of 7)

Ref	Description	Part number	Qty
2	Color misregistration sensor assembly	RM1-4850-000CN	1
3	Intermediate transfer belt (ITB)	RM1-4852-000CN	1
4	Roller, paper-pickup (Tray 1)	RL1-1802-000CN	1

Internal components (3 of 7)

Figure 8-4 Internal components (3 of 7)

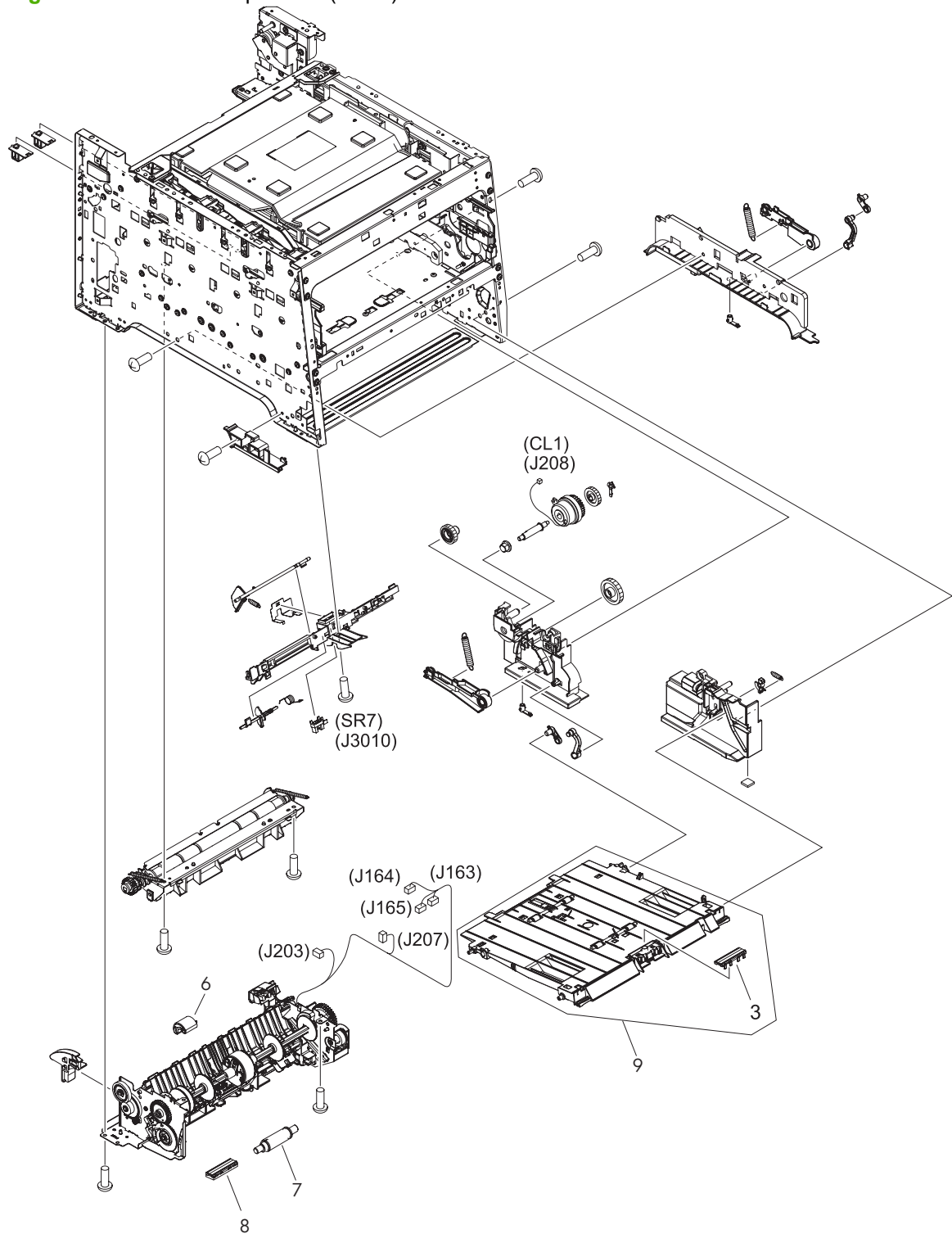


Table 8-5 Internal components (3 of 7)

Ref	Description	Part number	Qty
3	Pad, separation (Tray 1)	RL1-1785-000CN	1
6	Pickup roller assembly	RM1-4426-000CN	1
7	Separation roller assembly	RM1-4840-000CN	1
8	Cover, holder	RC2-2014-000CN	1
9	MP paper pickup assembly (Tray 1)	RM1-4839-000CN	1

Internal components (4 of 7)

Figure 8-5 Internal components (4 of 7)

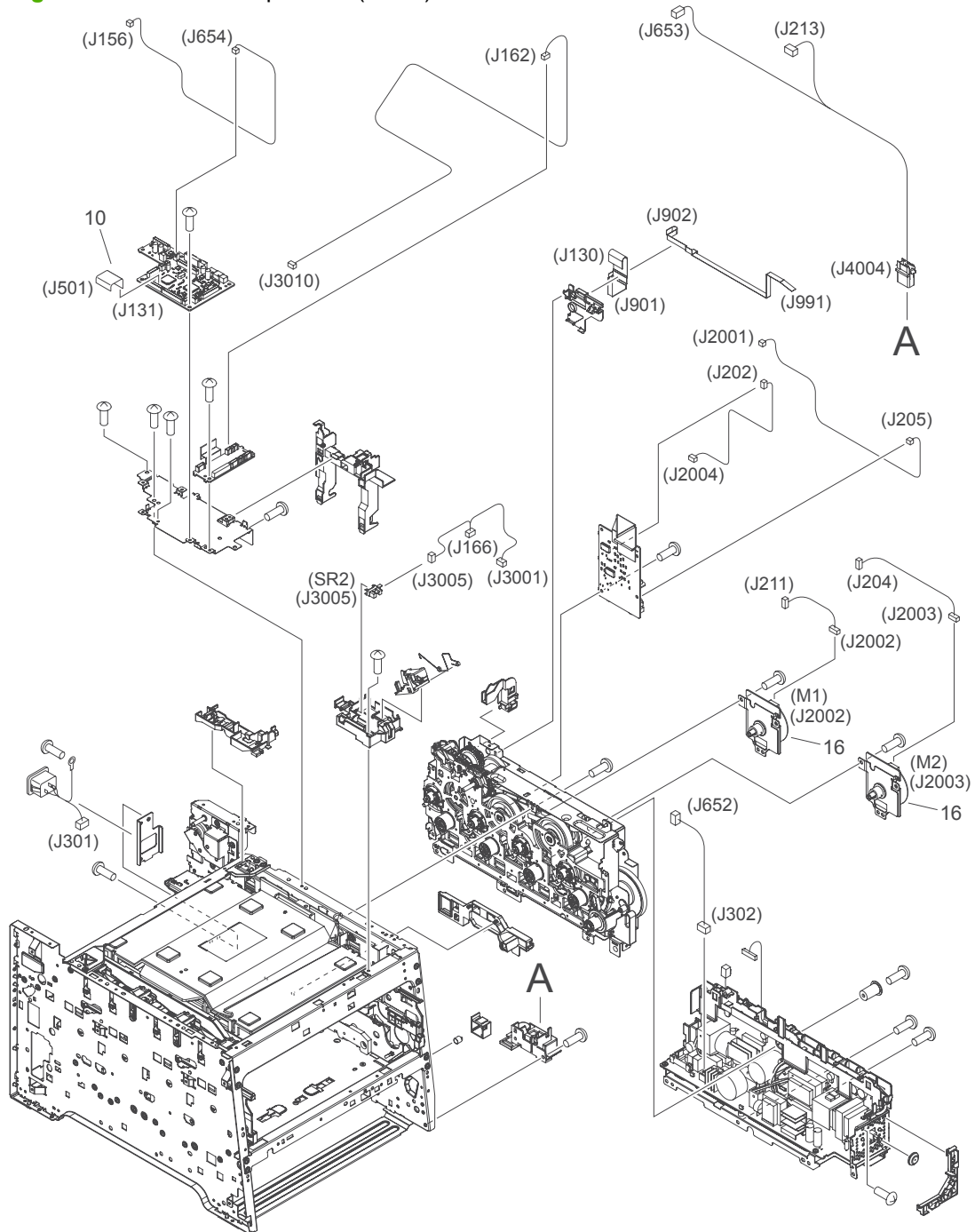


Table 8-6 Internal components (4 of 7)

Ref	Description	Part number	Qty
10	Cable, flat	RK2-2302-000CN	1
16	Motor, DC	RL1-1800-000CN	2

Internal components (5 of 7)

Figure 8-6 Internal components (5 of 7)

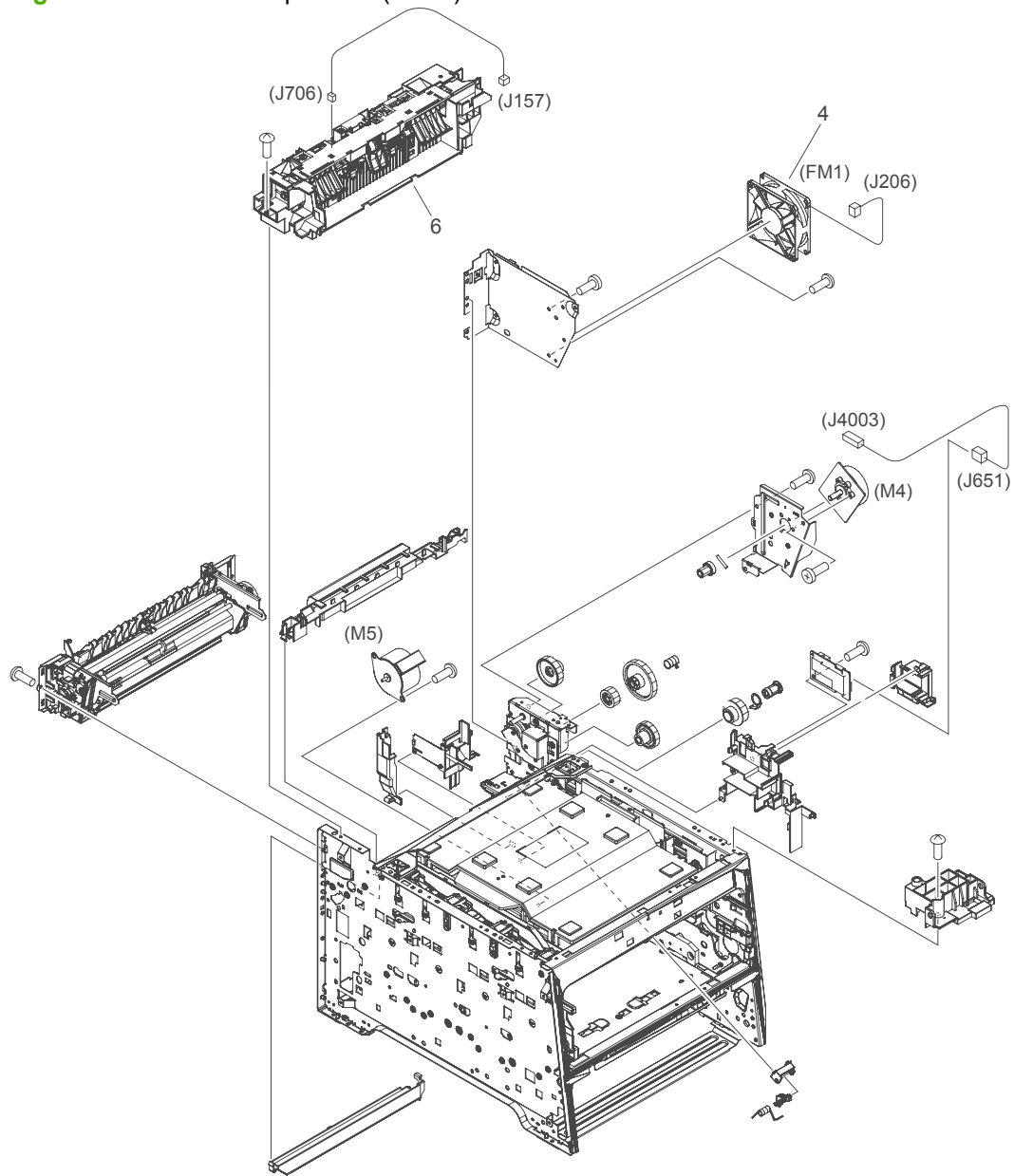
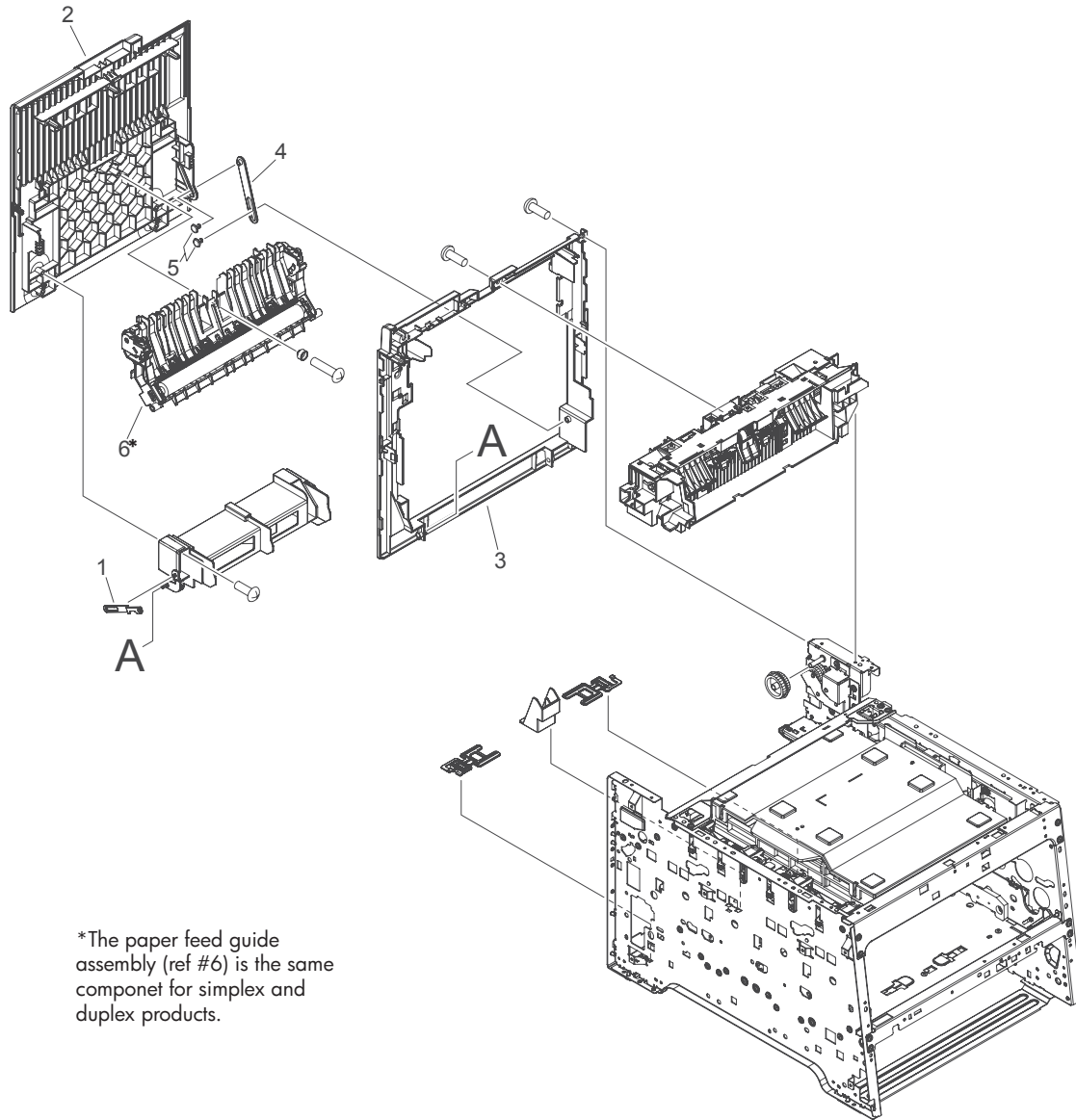


Table 8-7 Internal components (5 of 7)

Ref	Description	Part number	Qty
4	Fan	RK2-2276-000CN	1
6	Paper-delivery assembly	RM1-4873-000CN	1

Internal components, simplex products (6 of 7)

Figure 8-7 Internal components, simplex products (6 of 7)



*The paper feed guide assembly (ref #6) is the same component for simplex and duplex products.

Table 8-8 Internal components, simplex products (6 of 7)

Ref	Description	Part number	Qty
1	Link, guide ¹	Not orderable	1
2	Door, rear	RC2-3604-000CN	1
3	Cover, rear	RC2-3605-000CN	1
4	Stopper, door rear	RC2-3598-000CN	1
5	Cap, link	RC2-3599-000CN	2
6	Paper-feed guide assembly (simplex and duplex products) ²	RM1-4838-000CN	1

¹ Depending on which end of the link-guide attachment point has failed, replace either the rear door, or the entire product (the interior paper guide is not replaceable).

² The paper-feed guide includes the transfer roller.

Internal components, duplex products (7 of 7)

Figure 8-8 Internal components, duplex products (7 of 7)

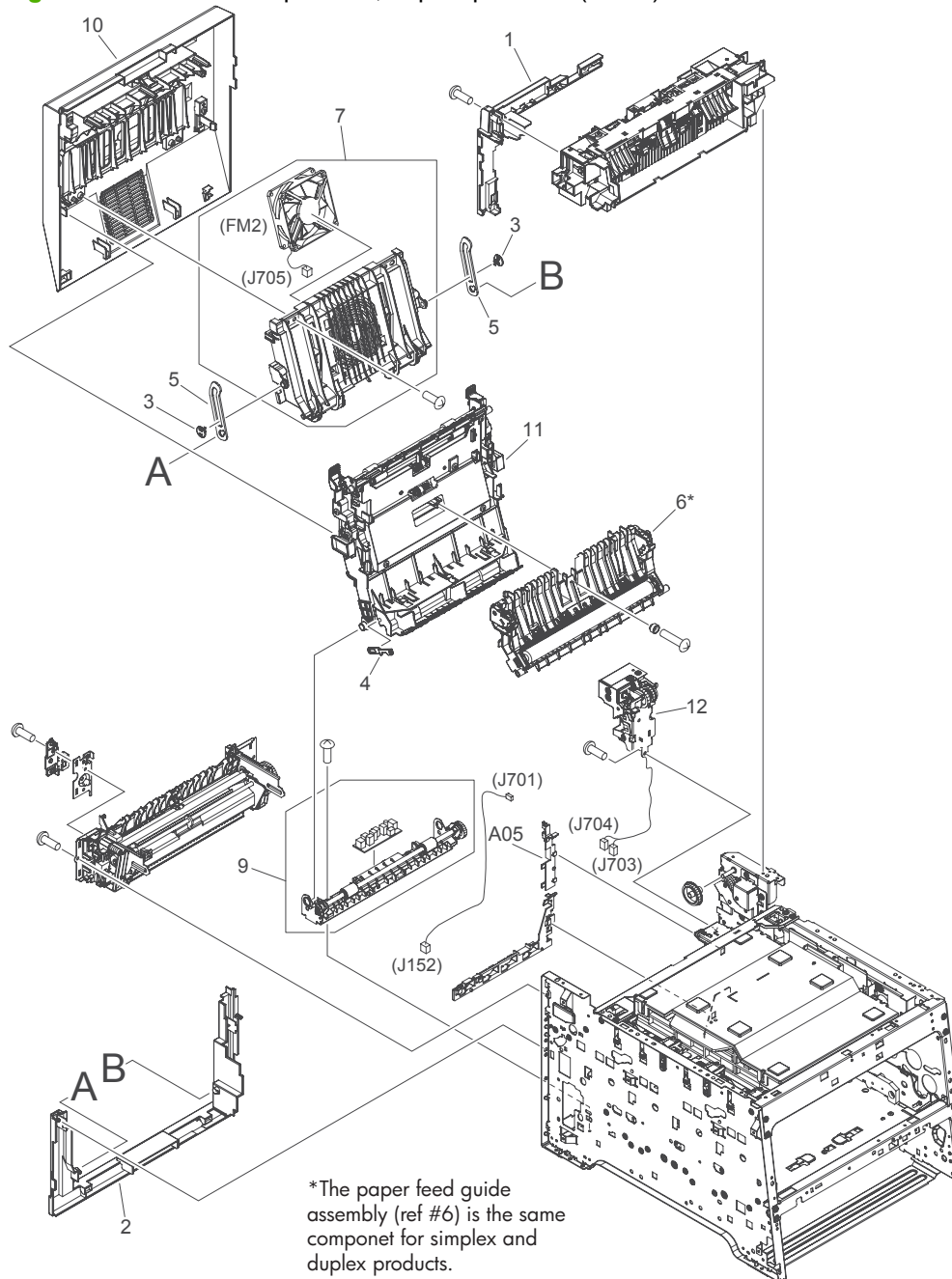


Table 8-9 Internal components, duplex products (7 of 7)

Ref	Description	Part number	Qty
1	Cover, upper-rear	RC2-3791-000CN	1
2	Cover, lower-rear	RC2-3748-000CN	1
3	Cap, link	RC2-3774-000CN	2
4	Link, guide ¹	Not orderable	1
5	Link, door	RC2-3750-000CN	2
6	Paper-feed guide assembly (simplex and duplex products) ²	RM1-4838-000CN	1
7	Rib assembly, rear-door	RM1-4876-000CN	1
9	Paper-pickup guide assembly	RM1-4877-000CN	1
10	Door, rear assembly	RM1-4878-000CN	1
11	Duplexing-feed guide assembly	RM1-4879-000CN	1
12	Reverse-drive assembly	RM1-4880-000CN	1

¹ Depending on which end of the link-guide attachment point has failed, replace either the duplexing-feed guide assembly, or the entire product (the interior paper guide is not replaceable).

² The paper-feed guide includes the transfer roller.

Major assemblies

Cassette (Tray 2)

Figure 8-9 Cassette (Tray 2)

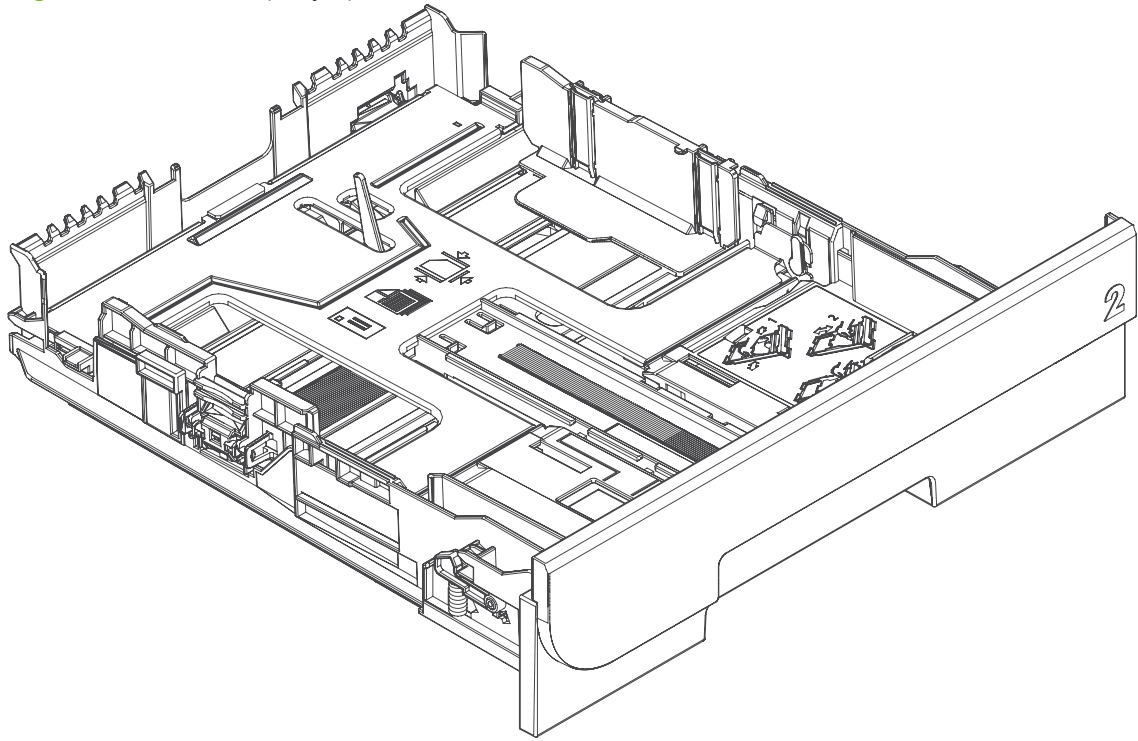


Table 8-10 Cassette (Tray 2)

Ref	Description	Part number	Qty
All	Cassette (Tray 2)	RM1-4860-000CN	1

Fuser assembly

Figure 8-10 Fuser assembly

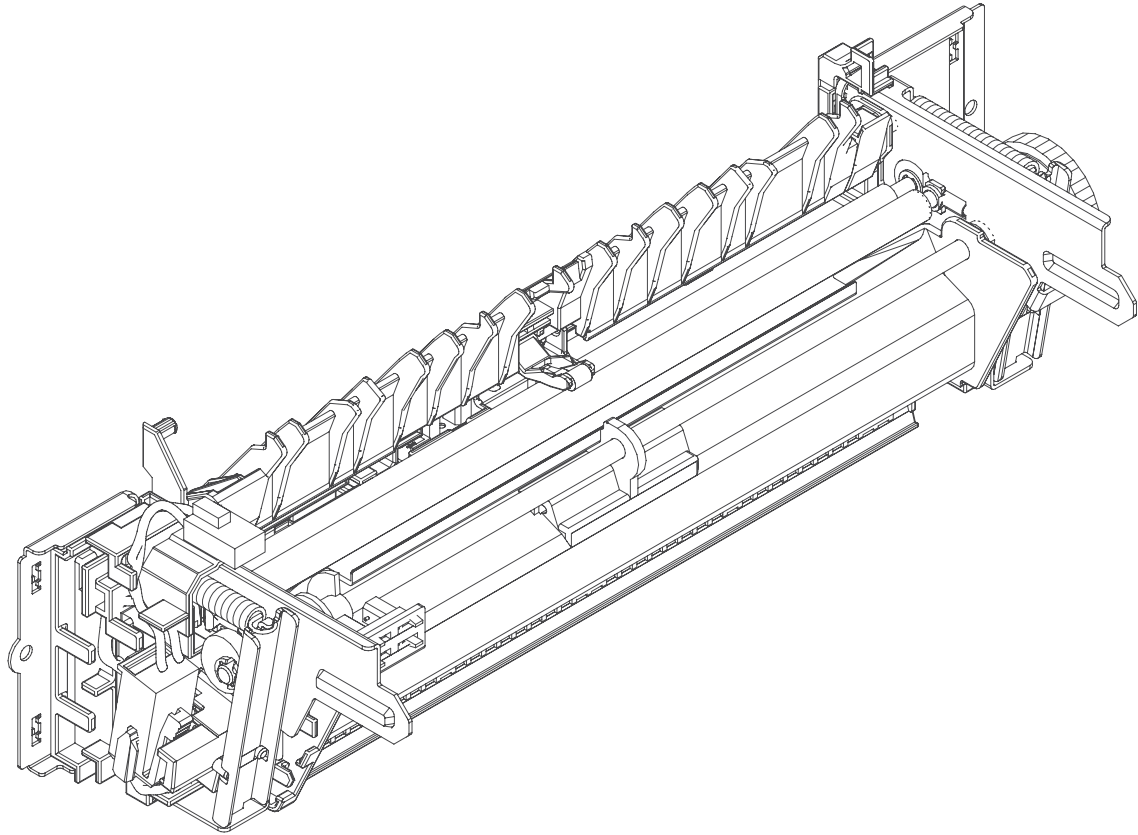


Table 8-11 Fuser assembly

Ref	Description	Part number	Qty
All	Fuser assembly (110V to 127V)	RM1-6740-000CN	1
All	Fuser assembly (220V to 240V)	RM1-6741-000CN	1

PCAs

Figure 8-11 PCAs

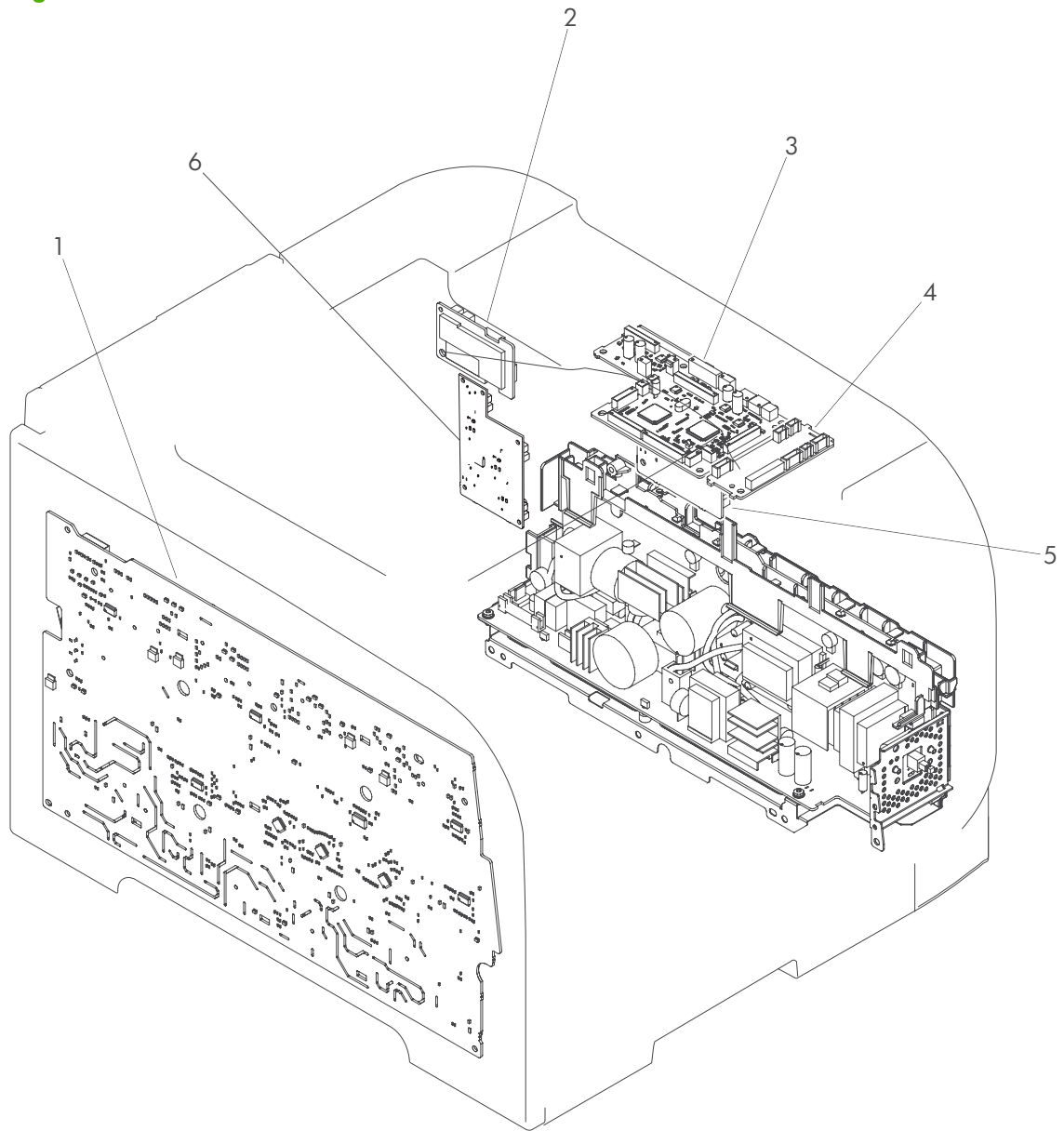


Table 8-12 PCAs

Ref	Description	Part number	Qty
1	Power supply high-voltage, assembly	RM1-5294-000CN	1
2	Power supply sub PCA, assembly	RM1-5303-000CN	1
3	DC controller PCA	RM1-5431-000CN	1
4	Relay PCA	RM1-5293-000CN	1
5	Driver PCA	RM1-5288-000CN	1
6	Formatter PCA, HP Color LaserJet CP 2025	CB492-60002	1

Optional 250-sheet paper cassette

Figure 8-12 Optional 250-sheet paper cassette

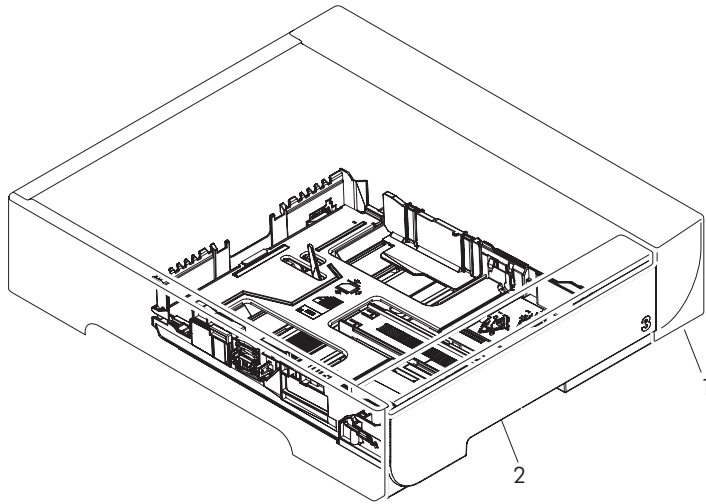


Table 8-13 250-sheet paper cassette

Ref	Description	Part number	Qty
1	Optional 250-sheet paper feeder (includes cassette)	CB500-67902	1
2	Optional 250-sheet paper cassette	RM1-4901-000CN	1