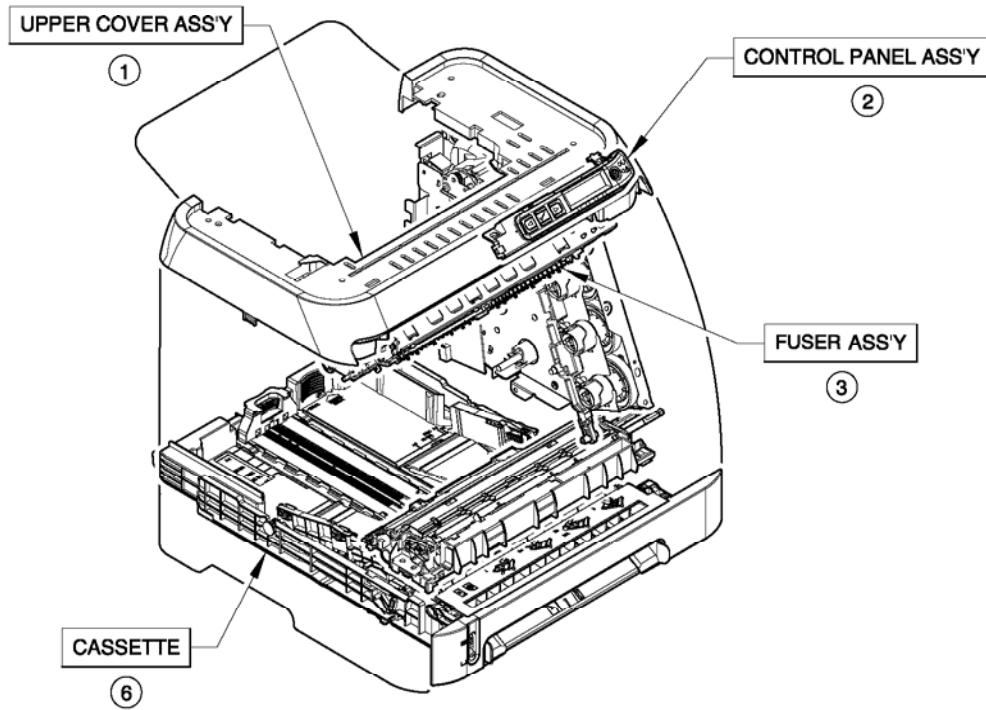


## Assembly locations

### ASSEMBLY LOCATION DIAGRAM - Simplex Model

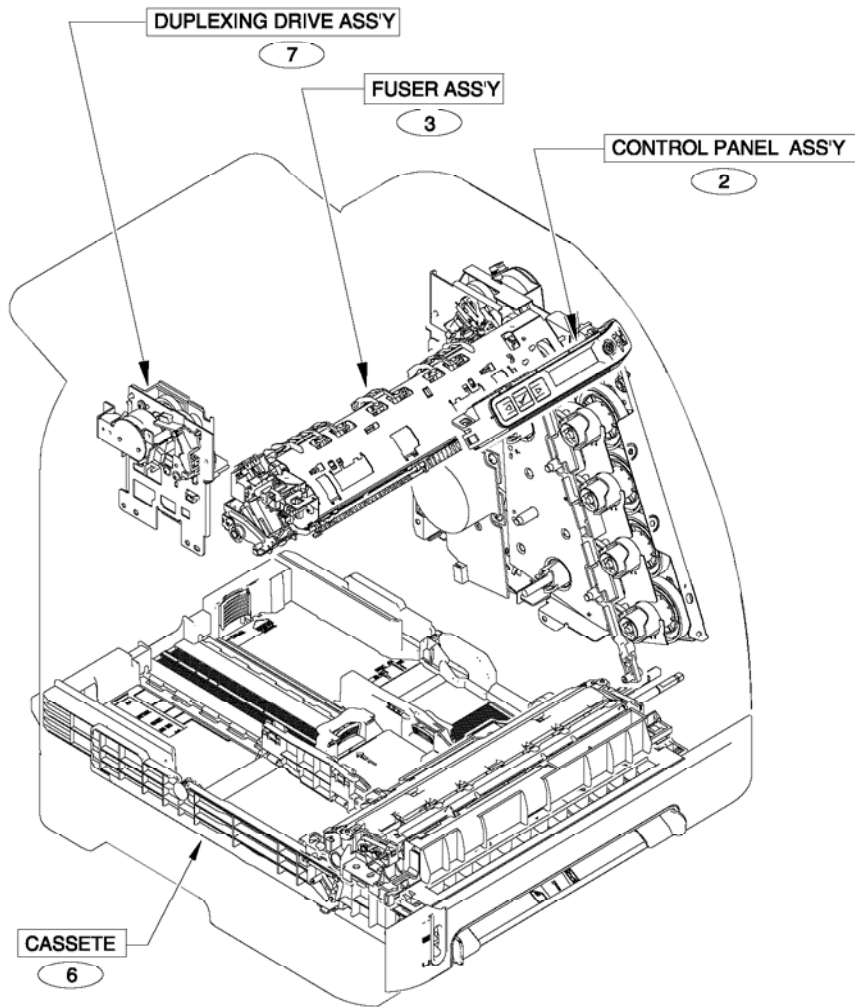


**Figure 7-1** Assembly location diagram - simplex model

**Table 7-4** Assembly locations - simplex model

Ref	Description	Part number	Qty
1	UPPER COVER ASSEMBLY	RM1-1862-000CN (simplex)	
2	CONTROL PANEL ASSEMBLY	RM1-1861-000CN	
3	FUSER ASSEMBLY	RM1-1828-000CN (110v) or RM1-1829-000CN (220v)	
6	CASSETTE	RM1-1916-050CN	

## ASSEMBLY LOCATION DIAGRAM - DUPLEX MODELS



UPPER COVER ASS'Y - See figure 7-5

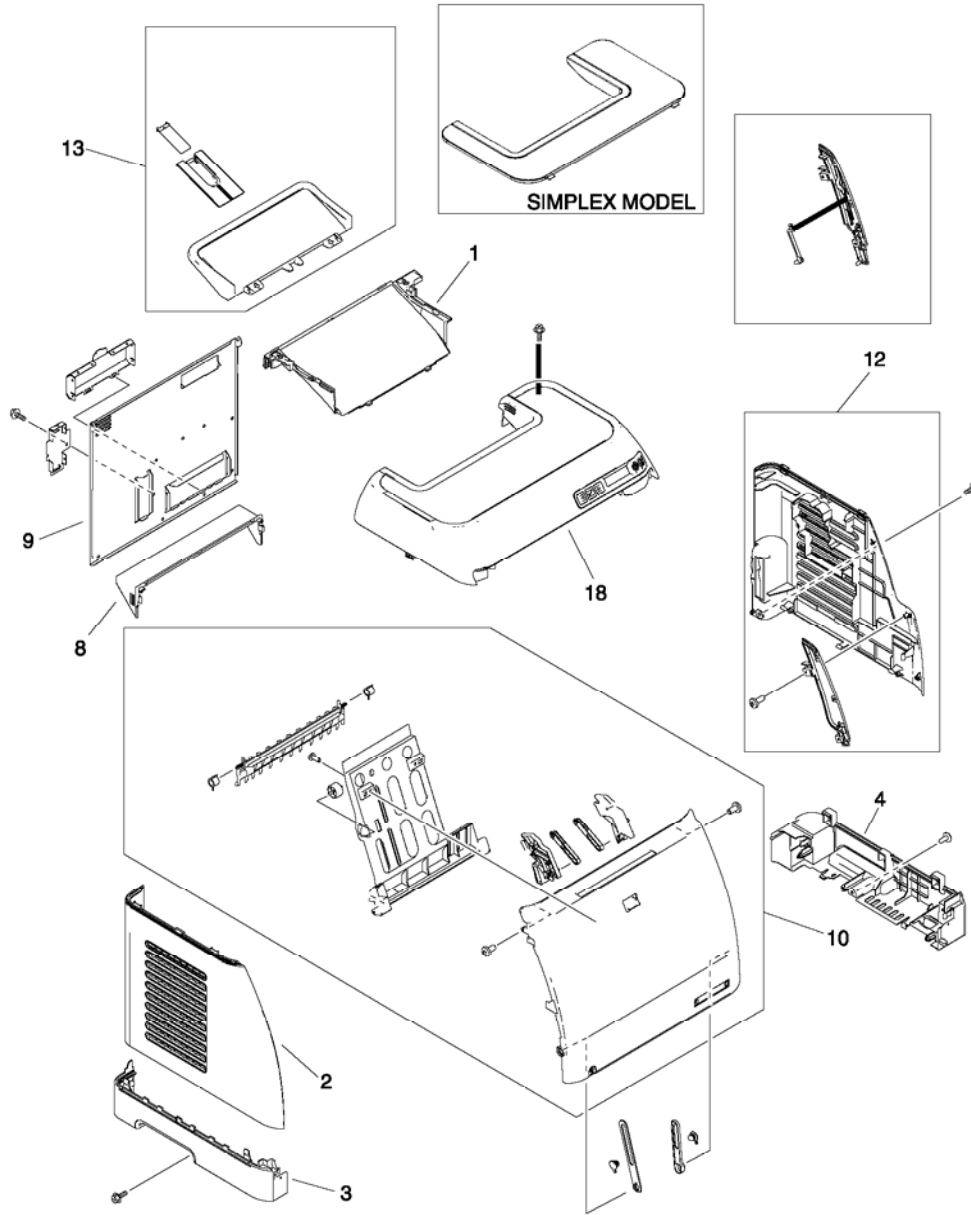
MEMORY CARD READER ASS'Y - See figure 7-14

**Figure 7-2** Assembly location diagram - duplex models

**Table 7-5** Assembly locations - duplex models

Ref	Description	Part number	Qty
	UPPER COVER ASSEMBLY	RM1-1855-000CN (duplex)	
	MEMORY-CARD READER ASSEMBLY	Q7821-67901 (DTN model only)	
2	CONTROL PANEL ASSEMBLY	RM1-1861-000CN	
3	FUSER ASSEMBLY	RM1-1824-000CN (110v) or RM1-1825-000CN (220v)	
6	CASSETTE	RM1-1916-050CN	
7	DUPLEXING DRIVE ASSEMBLY	RM1-1832-000CN (duplex)	

# EXTERNAL PANELS AND COVERS



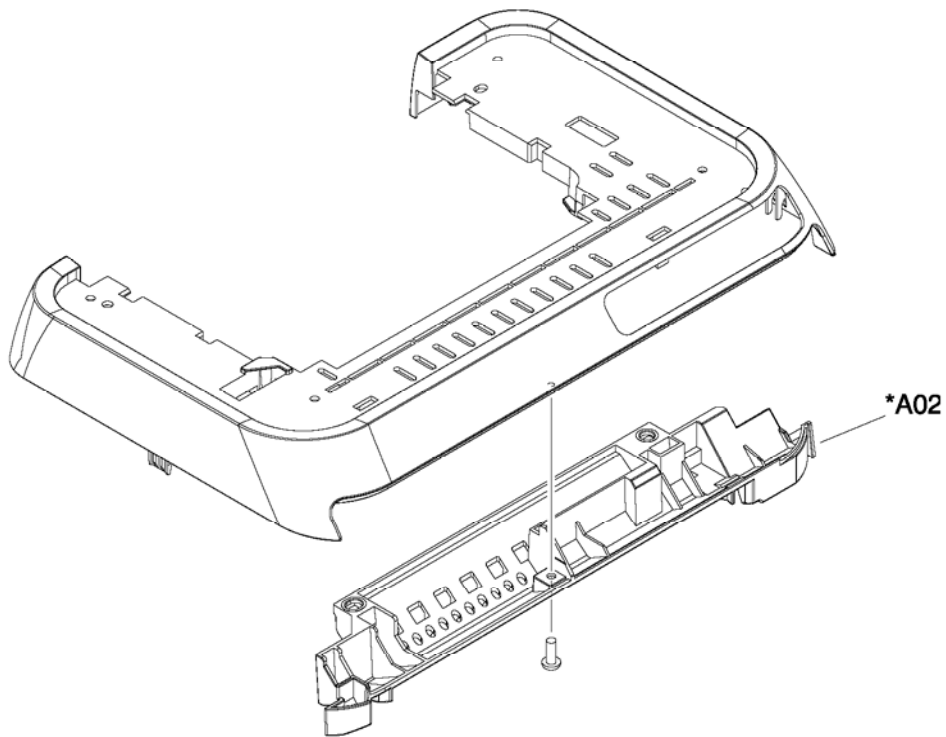
**Figure 7-3** External panels and covers

**Table 7-6** External panels and covers

Ref	Description	Part number	Qty
1	COVER, FACE-DOWN	RC1-5173-000CN	1
2	COVER, LEFT	RC1-5183-000CN	1
3	COVER, CASSETTE, LEFT	RC1-5184-000CN	1
4	COVER, CASSETTE, RIGHT	RC1-5188-030CN	1
8	COVER, CASSETTE DUST	RC1-5200-000CN	1
9	PLATE, REAR	RC1-5227-020CN	1
10	FRONT DOOR ASSEMBLY	RM1-1856-000CN (simplex)	1
10	FRONT DOOR ASSEMBLY	RM1-1857-000CN (duplex)	1
12	RIGHT COVER ASSEMBLY	RM1-1860-000CN	1
13	PAPER DELIVERY TRAY ASSEMBLY	RM1-1859-020CN	1
18	UPPER COVER ASSEMBLY	RM1-1855-000CN (duplex)	1

## Covers

### UPPER COVER ASS'Y



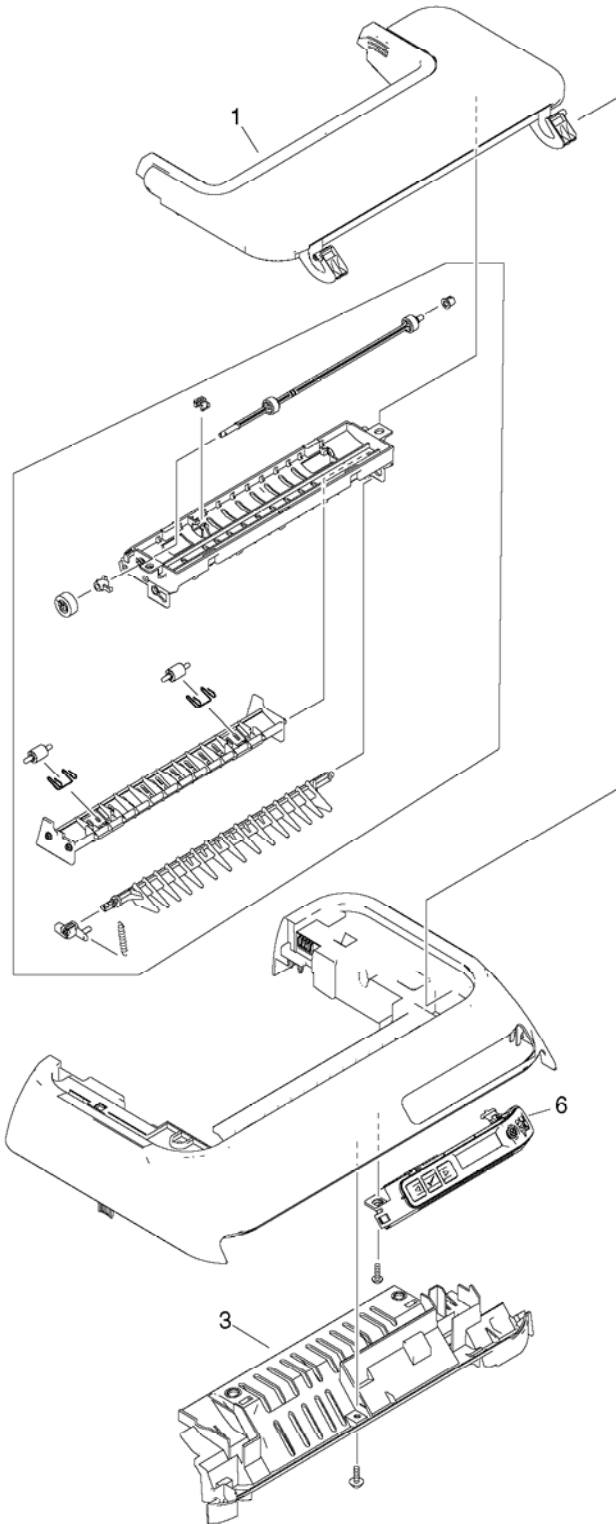
**Figure 7-4** Upper cover assembly - simplex model

**Table 7-7** Upper assembly cover - simplex model

Ref	Description	Part number	Qty
	UPPER COVER ASSEMBLY	RM1-1862-000CN (simplex)	
A02	COVER, INSIDE, UPPER	RC1-5178-040CN	1



# UPPER COVER ASS'Y



**Figure 7-5** Upper cover assembly - duplex models

**Table 7-8** Upper assembly cover - duplex models

Ref	Description	Part number	Qty
	UPPER COVER ASSEMBLY	RM1-1855-000CN (duplex)	
1	COVER, UPPER FACE	RC1-5175-000CN	1
3	COVER, INSIDE, UPPER	RC1-5179-000CN	1
6	CONTROL PANEL ASSEMBLY	RM1-1861-000CN	1

# Internal assemblies

## INTERNAL COMPONENTS 1

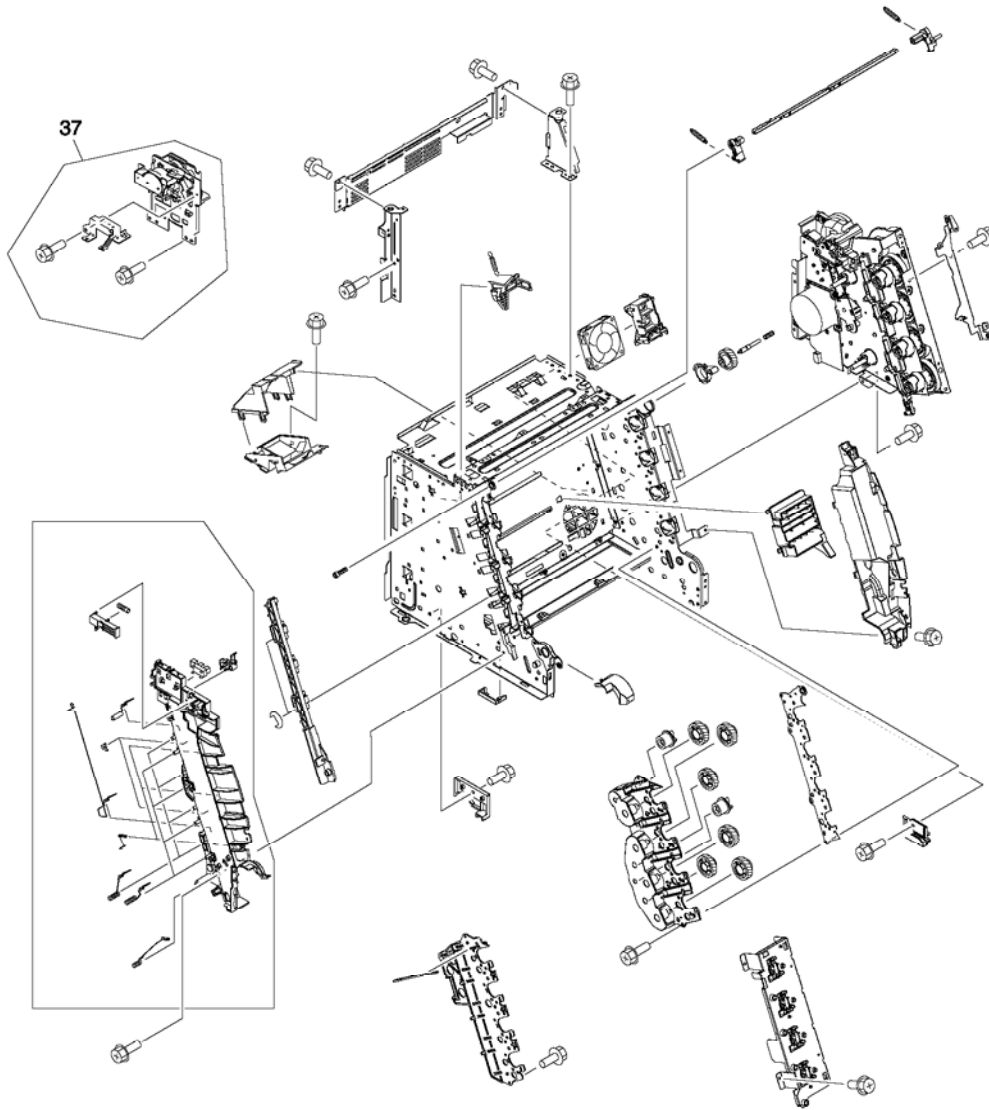
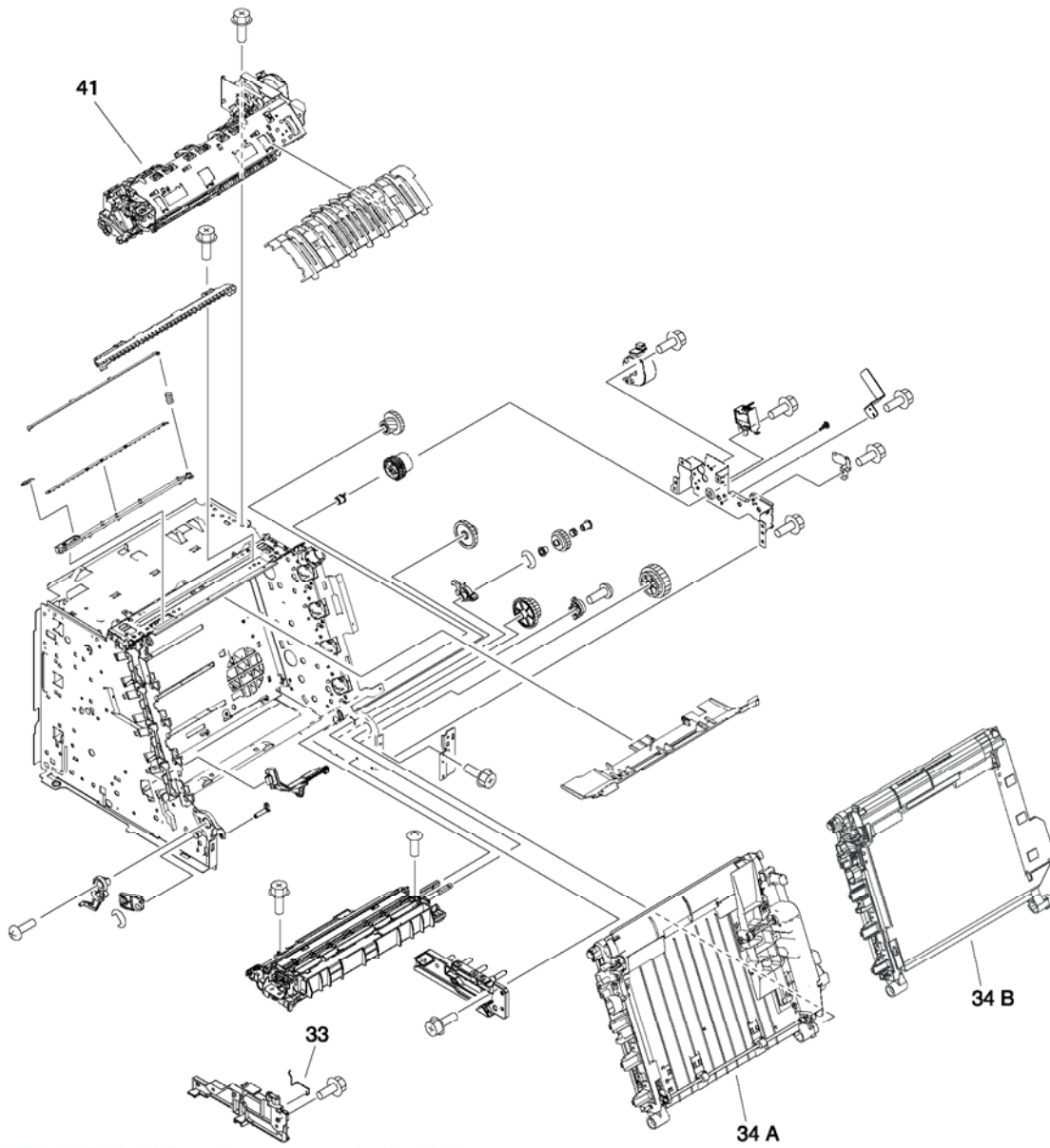


Figure 7-6 Internal components (1 of 3)

**Table 7-9** Internal components (1 of 3)

<b>Ref</b>	<b>Description</b>	<b>Part number</b>	<b>Qty</b>
37	DUPLEXING DRIVE ASSEMBLY	RM1-1832-000CN	1

## INTERNAL COMPONENTS 2

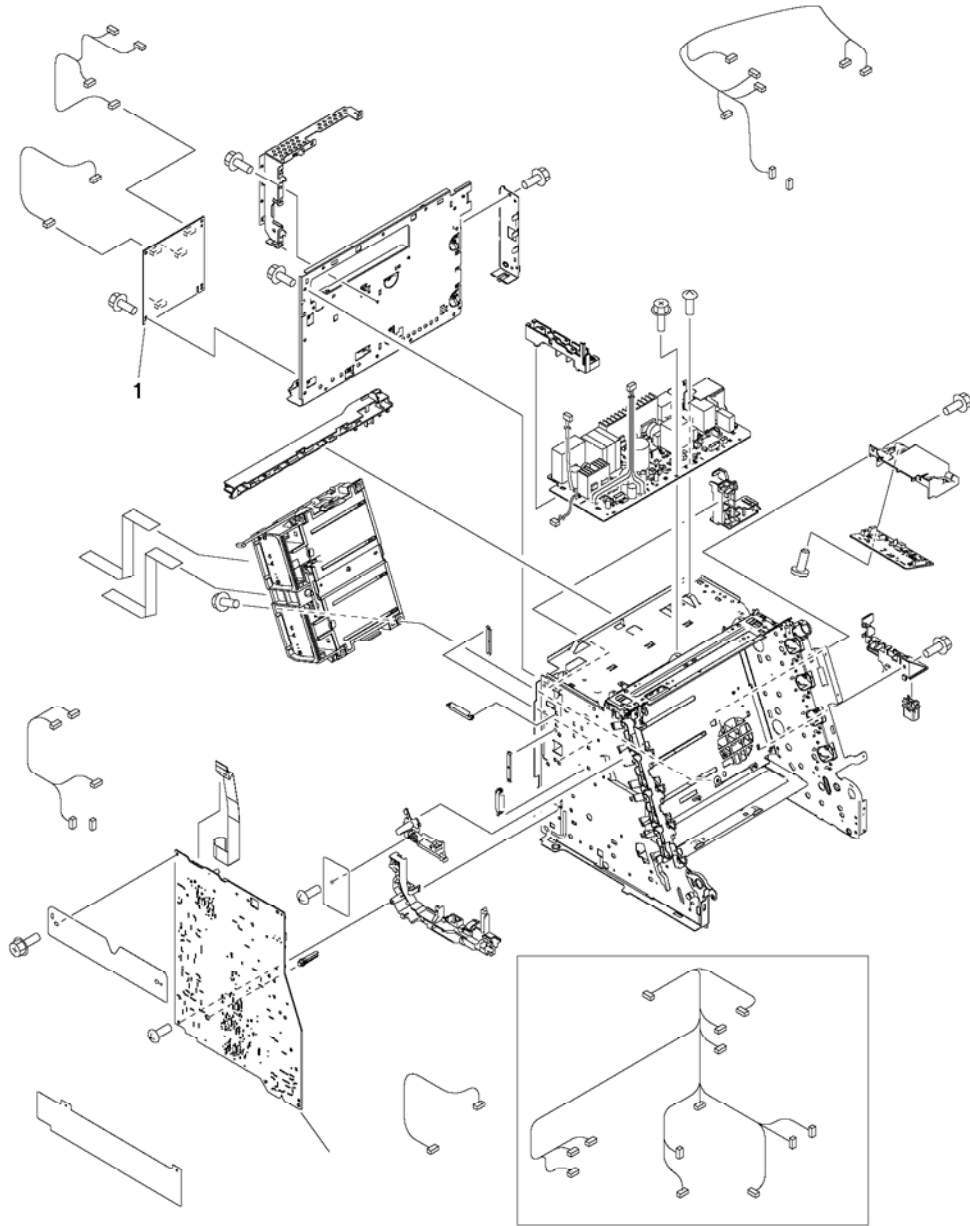


**Figure 7-7** Internal components (2 of 3)

**Table 7-10** Internal components (2 of 3)

Ref	Description	Part number	Qty
33	SPRING, GROUNDING	RC1-5147-000CN	1
34A	ELECT.TRANSPORT BELT (ETB) ASSEMBLY	RM1-1892-000CN (duplex)	1
34B	ELECT.TRANSPORT BELT (ETB) ASSEMBLY	RM1-1891-000CN (simplex)	1
41	FUSER ASSEMBLY	RM1-1828-000CN (110v simplex)	1
41	FUSER ASSEMBLY	RM1-1829-000CN (220v simplex)	1
41	FUSER ASSEMBLY	RM1-1824-000CN (110v duplex)	1
41	FUSER ASSEMBLY	RM1-1825-000CN (220v duplex)	1

## INTERNAL COMPONENTS 3



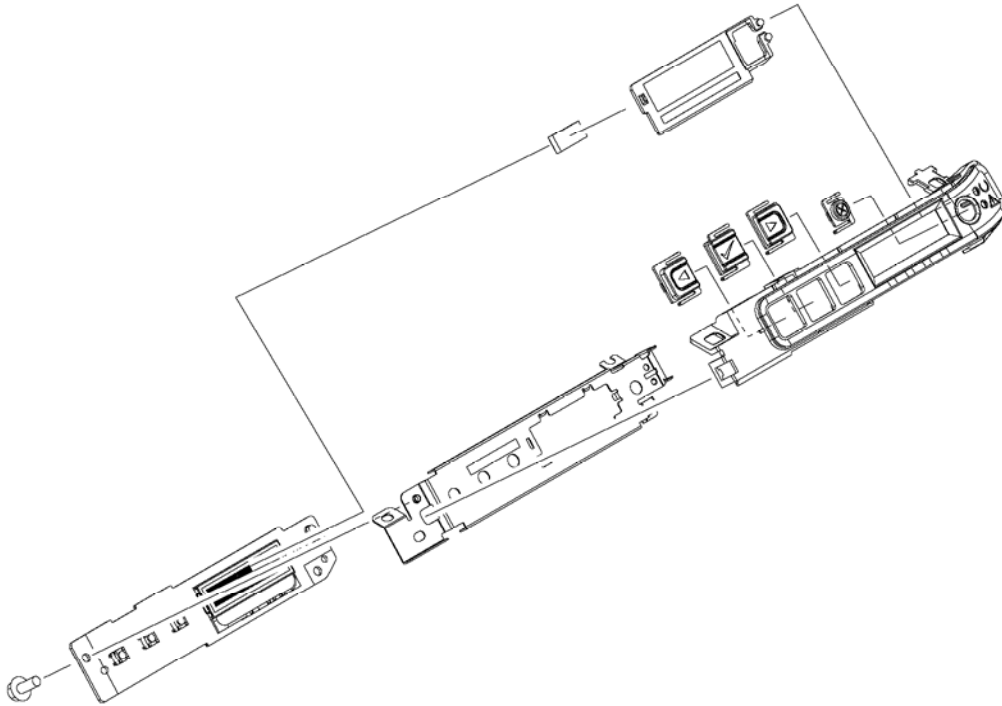
**Figure 7-8** Internal components (3 of 3)

**Table 7-11** Internal components (3 of 3)

Ref	Description	Part number	Qty
1	DC CONTROLLER PCA ASSEMBLY	RM1-3423-000CN	1



# CONTROL PANEL ASS'Y

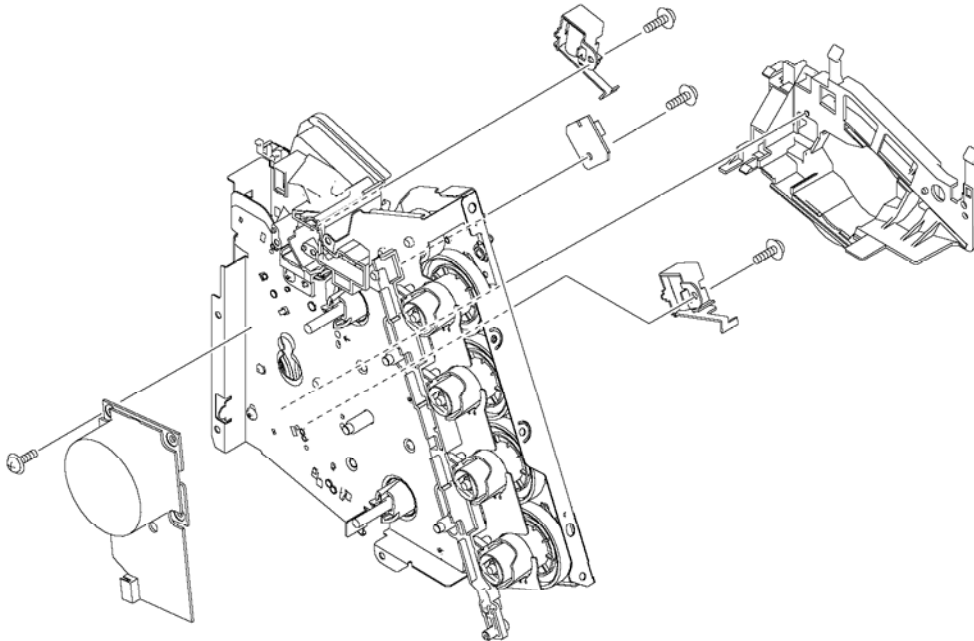


**Figure 7-9** Control panel assembly

**Table 7-12** Control panel assembly

Ref	Description	Part number	Qty
	CONTROL PANEL ASSEMBLY	RM1-1861-000CN	1

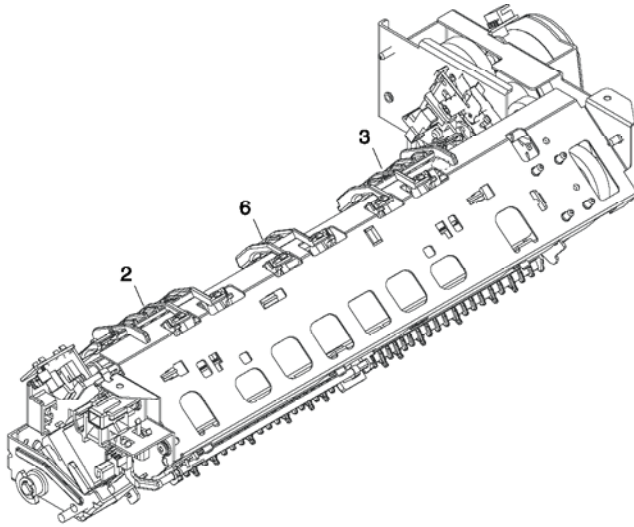
## MAIN DRIVE ASS'Y



**Figure 7-10** Main drive assembly

No parts in this assembly set up for service. Replace the entire printer.

## FUSER ASS'Y (SIMPLEX)

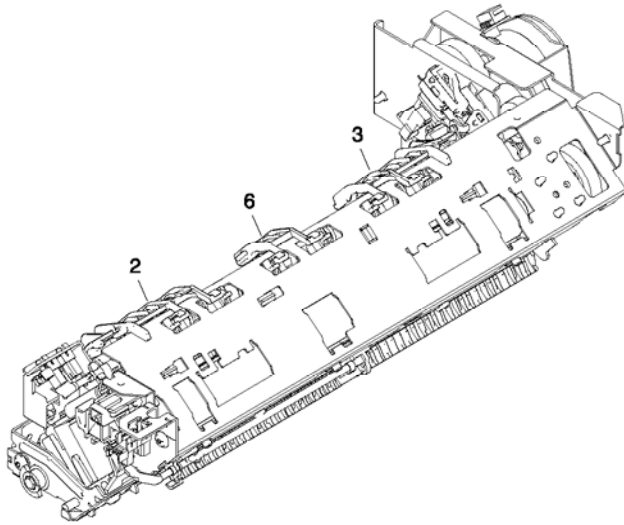


**Figure 7-11** Fuser assembly (simplex)

**Table 7-13** Fuser assembly (simplex)

Ref	Description	Part number	Qty
	FUSER ASSEMBLY	RM1-1828-000CN (110v simplex)	1
	FUSER ASSEMBLY	RM1-1829-000CN (220v simplex)	1
2	ARM, PAPER RETAINER, LEFT	RC2-0253-000CN	1
3	ARM, PAPER RETAINER, RIGHT	RC2-0254-000CN	1
6	RETAINER, PAPER	RC2-0269-000CN	1

## FUSER ASS'Y (DUPLEX)

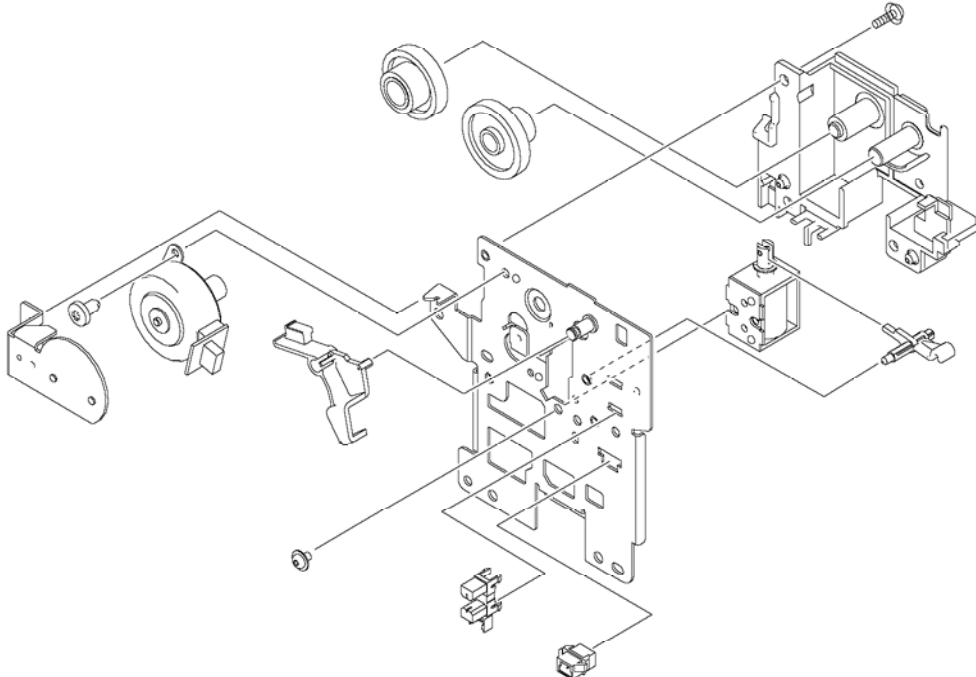


**Figure 7-12** Fuser assembly (duplex)

**Table 7-14** Fuser assembly (duplex)

Ref	Description	Part number	Qty
	FUSER ASSEMBLY	RM1-1824-000CN (110v duplex)	
	FUSER ASSEMBLY	RM1-1825-000CN (220v duplex)	
2	ARM, PAPER RETAINER, LEFT	RC2-0215-000CN	1
3	ARM, PAPER RETAINER, RIGHT	RC2-0216-000CN	1
6	RETAINER, PAPER	RC2-0269-000CN	1

# DUPLEXING DRIVE ASS'Y



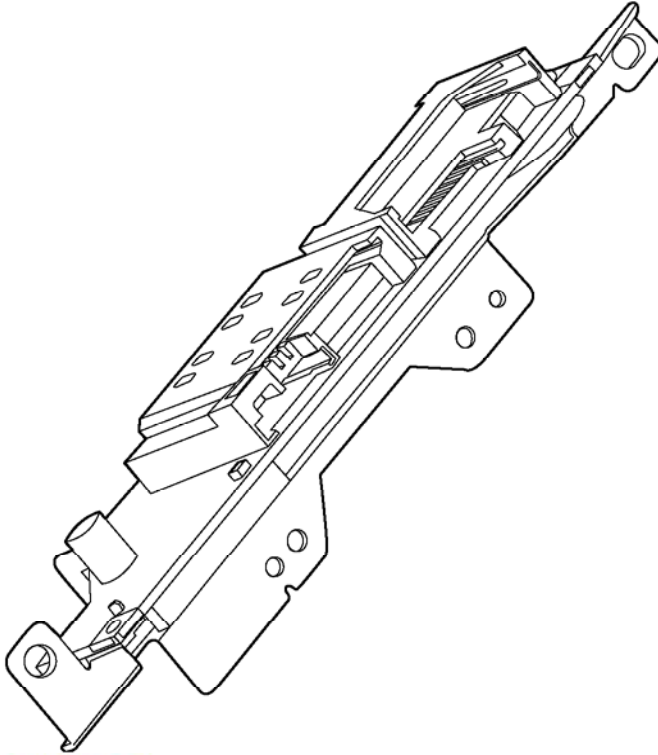
**Figure 7-13** Duplexing drive assembly

**Table 7-15** Duplexing drive assembly

Ref	Description	Part number	Qty
	DUPLEXING DRIVE ASSEMBLY	RM1-1832-000CN	1



## MEMORY-CARD READER ASS'Y

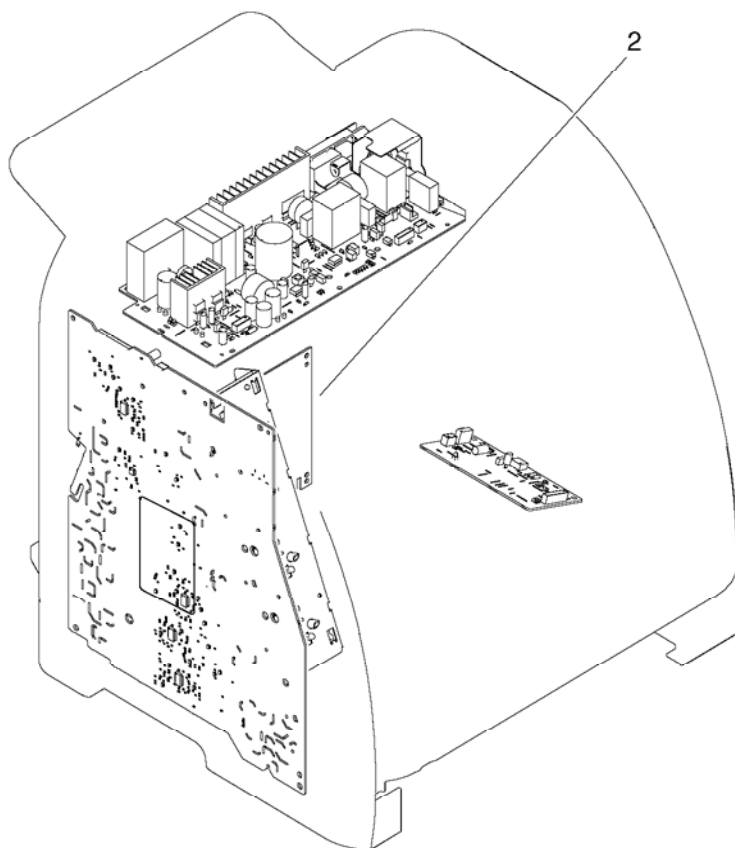


**Figure 7-14** Memory-card reader assembly

**Table 7-16** Memory-card reader assembly

Ref	Description	Part number	Qty
	MEMORY-CARD READER ASSEMBLY	Q7821-67901 (DTN model only)	

# PCB ASS'Y LOCATION DIAGRAM



**Figure 7-15** PCA assembly location

**Table 7-17** PCA assembly location

Ref	Description	Part number	Qty
2	DC CONTROLLER PCA ASSEMBLY	RM1-3423-000CN	1

# Input devices

## CASSETTE

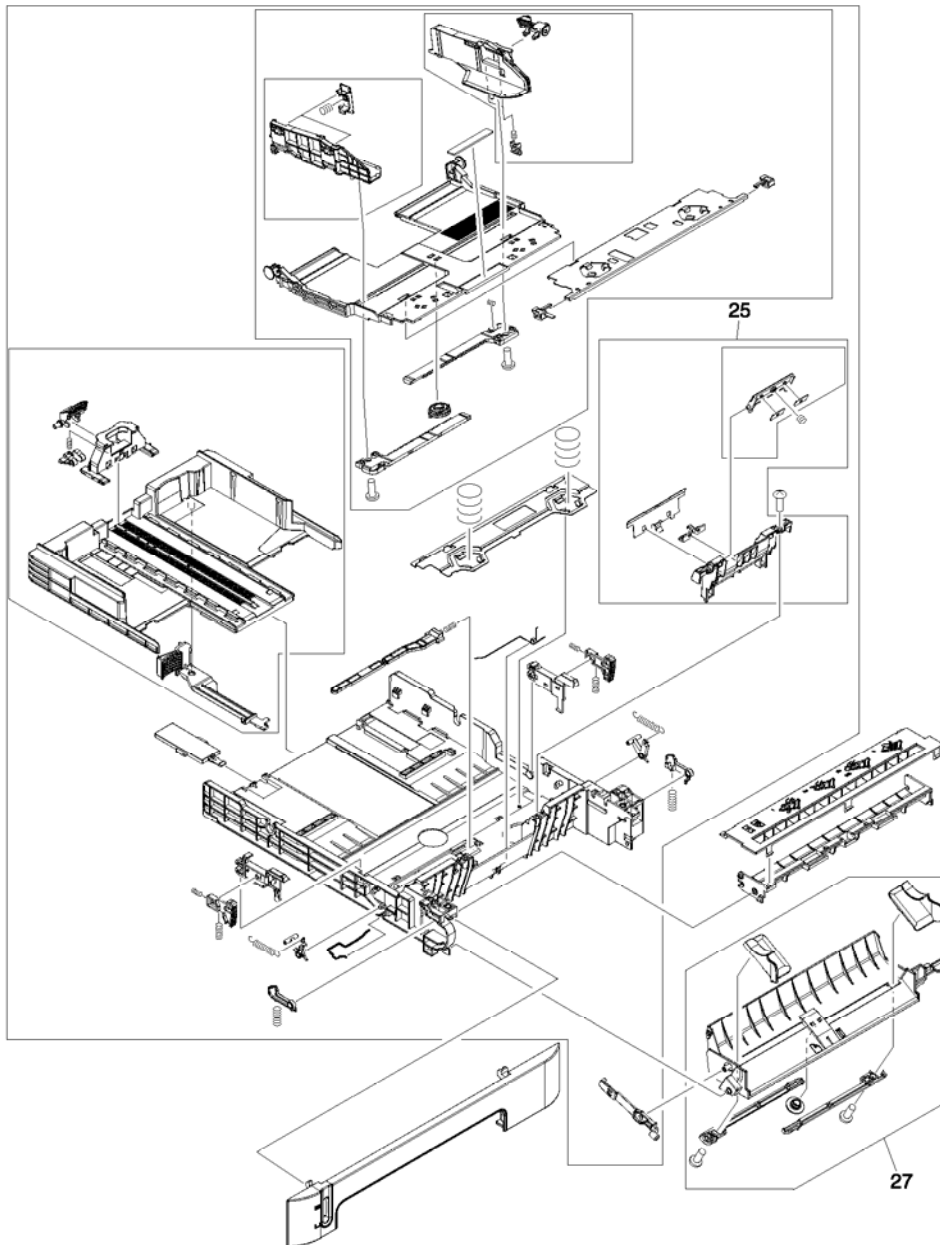
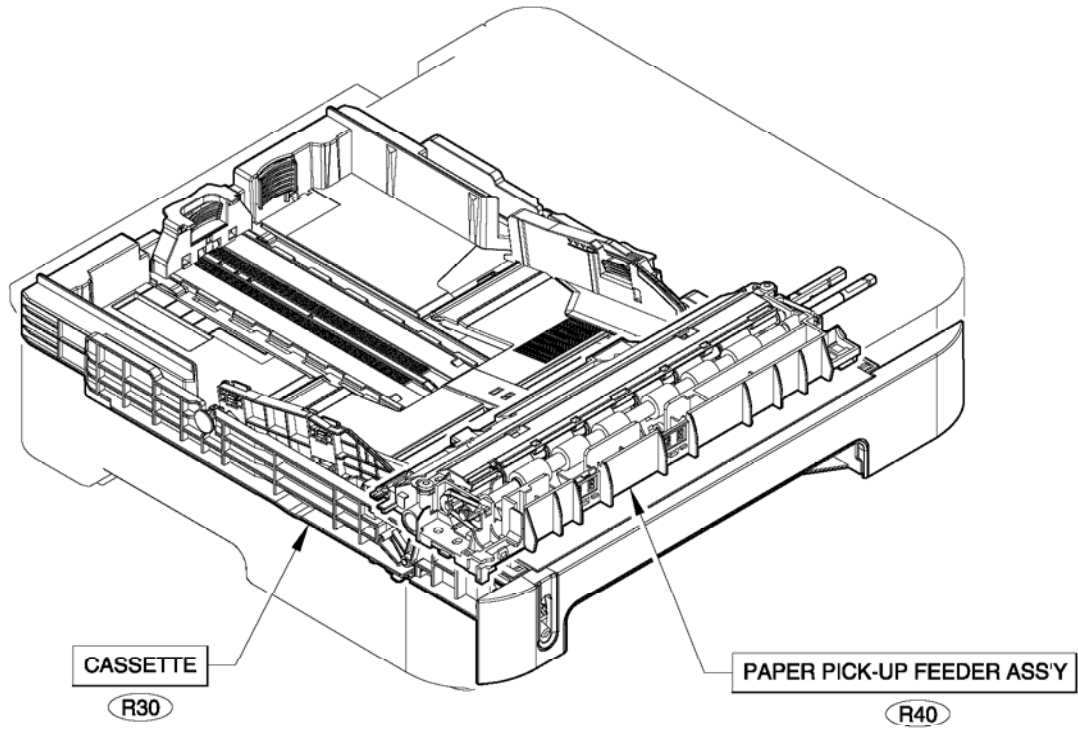


Figure 7-16 Tray 2 input tray (cassette)

**Table 7-18** Tray 2 input tray (cassette)

Ref	Description	Part number	Qty
	CASSETTE	RM1-1916-050CN	1
25	SEPARATION ASSEMBLY	RM1-1922-000CN	1
27	FEED ASSEMBLY	RM1-1923-000CN	1

# ASSEMBLY LOCATION DIAGRAM



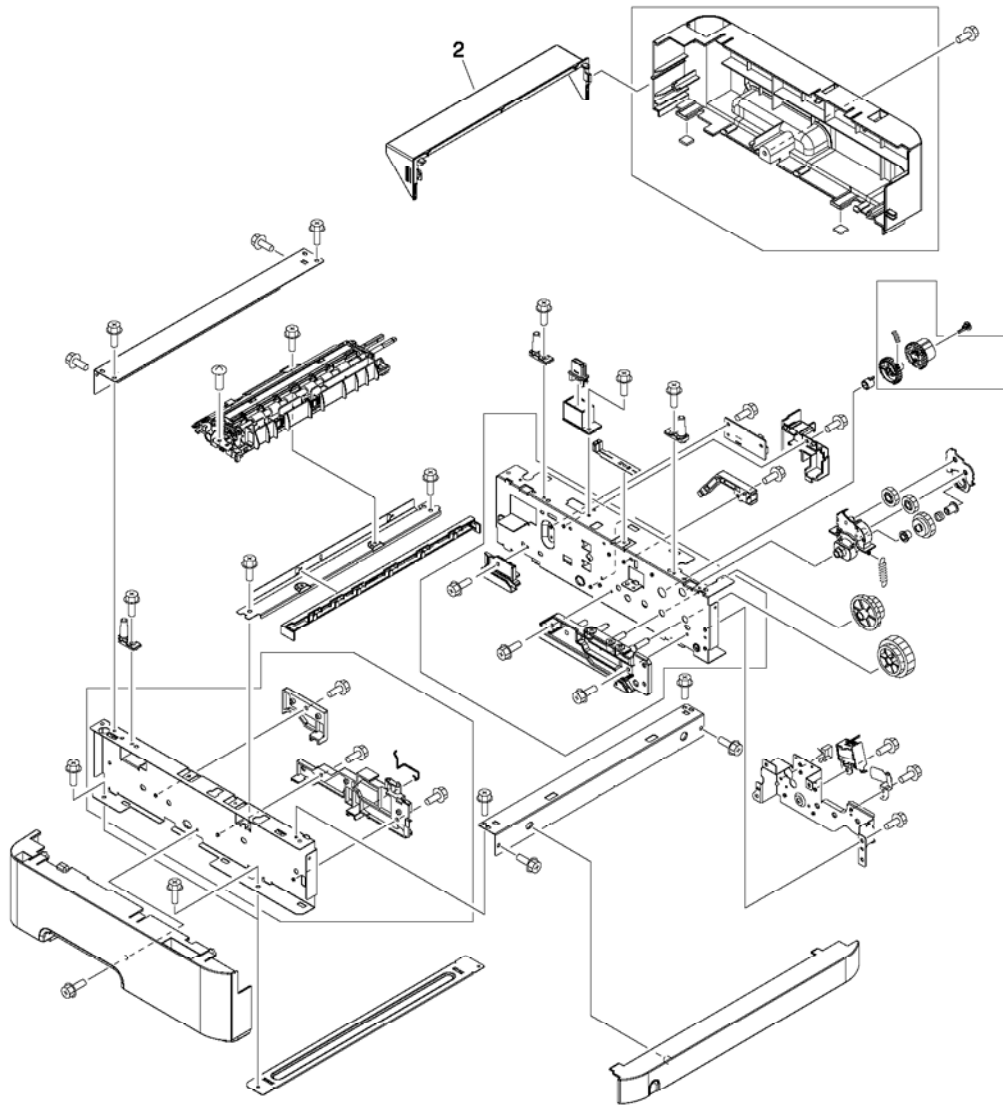
**Figure 7-17** 250-sheet input tray (cassette)

**Table 7-19** 250-sheet input tray (cassette)

Ref	Description	Part number	Qty
R30	CASSETTE	RM1-1945-000CN	RF
R40	PAPER PICKUP ROLLER	RC1-5440-000CN	RF



# INTERNAL COMPONENTS

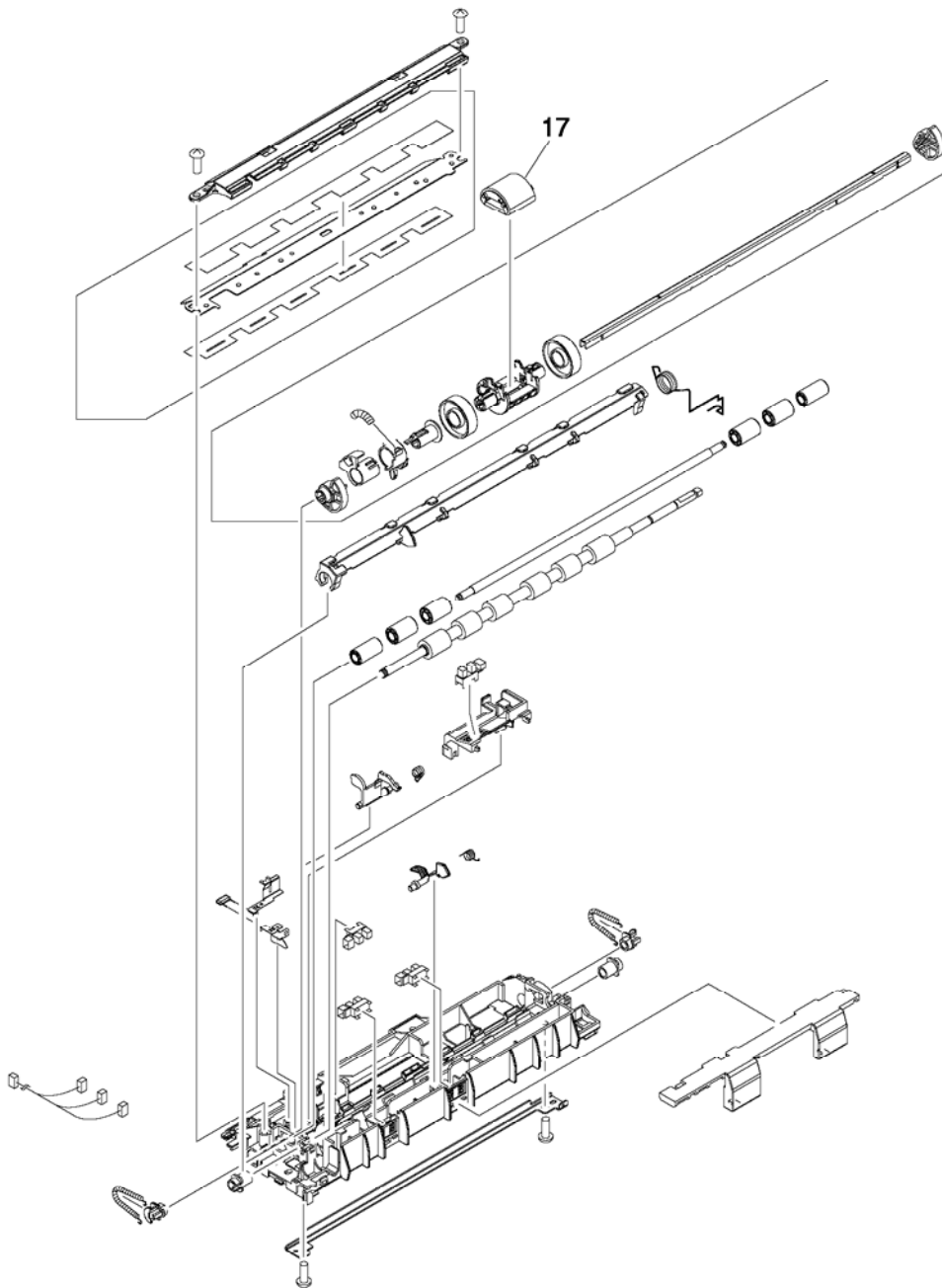


**Figure 7-18** 250-sheet input tray internal components

**Table 7-20** 250-sheet input tray internal components

Ref	Description	Part number	Qty
2	COVER, CASSETTE DUST	RC1-5200-000CN	1

# PAPER PICK-UP FEEDER ASS'Y

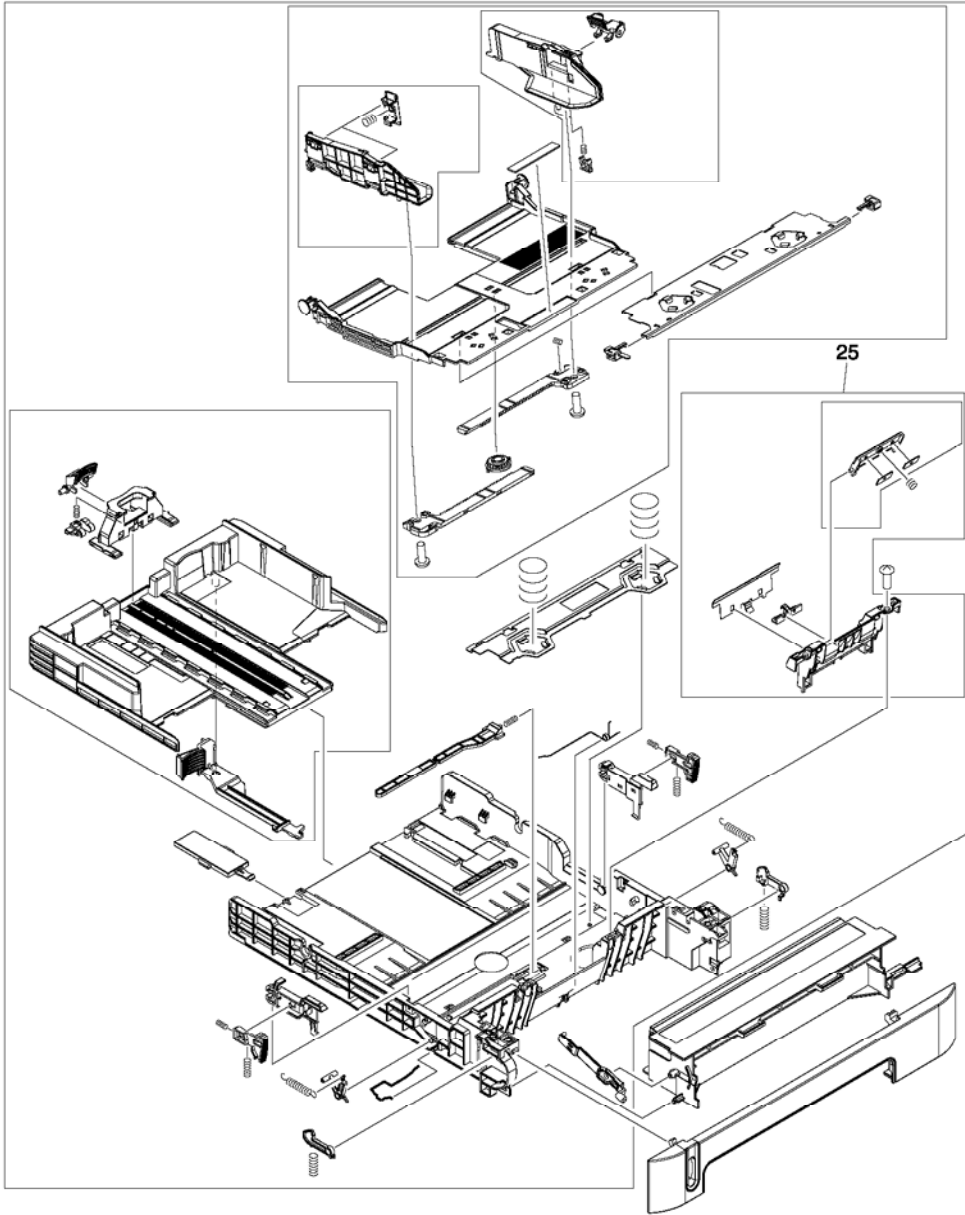


**Figure 7-19** Paper pick-up feeder assembly (Tray 2)

**Table 7-21** Paper pick-up feeder assembly for Tray 2

Ref	Description	Part number	Qty
17	ROLLER, PAPER PICKUP	RC1-5440-000CN	1

# CASSETTE

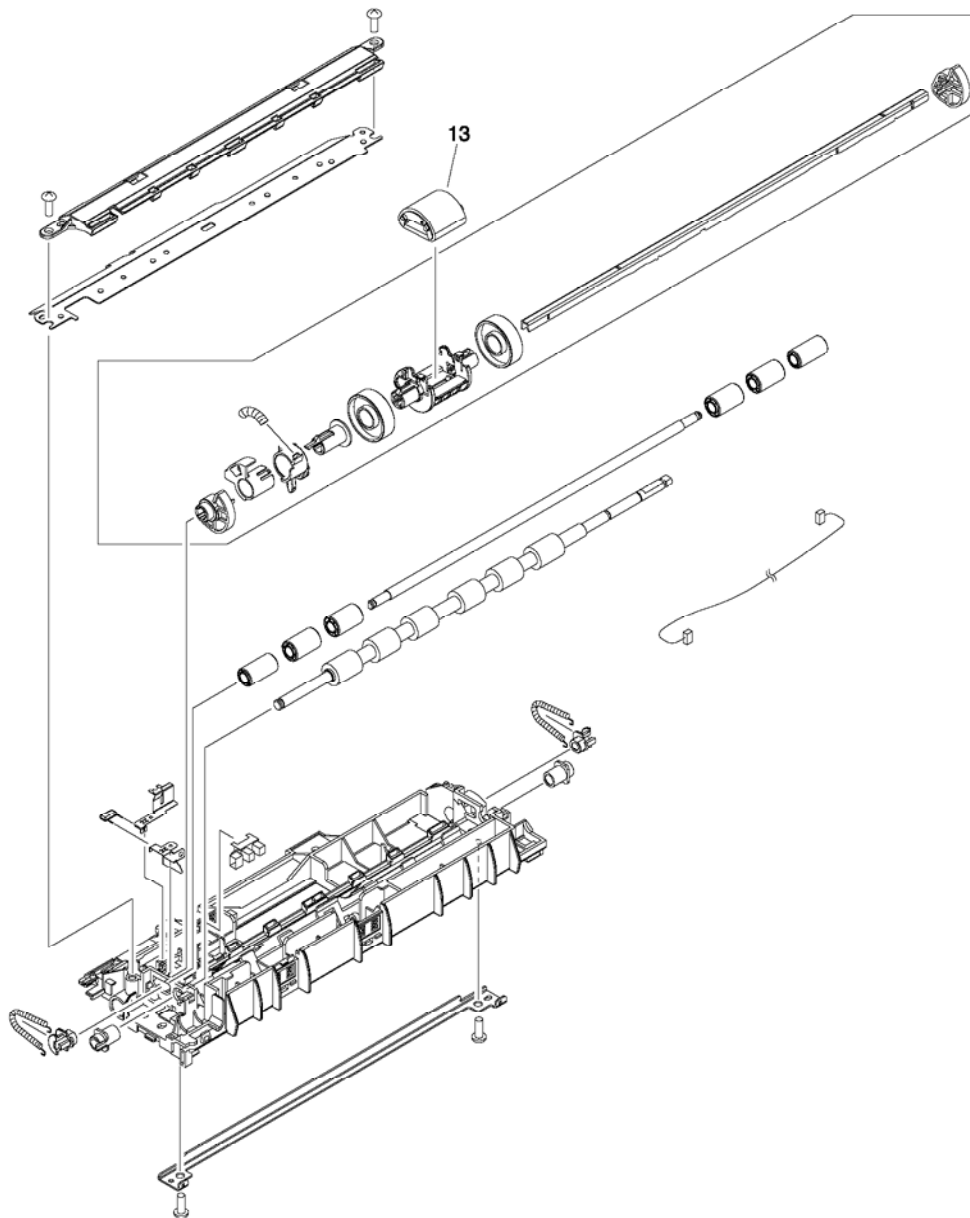


**Figure 7-20** Tray 3 input tray (cassette)

**Table 7-22** Tray 3 input tray (cassette)

Ref	Description	Part number	Qty
	CASSETTE	RM1-1945-000CN	1
	PAPER PICKUP ROLLER	RC1-5440-000CN	
25	SEPARATION ASSEMBLY	RM1-1922-000CN	1

## PAPER PICK-UP FEEDER ASS'Y (Tray 3)

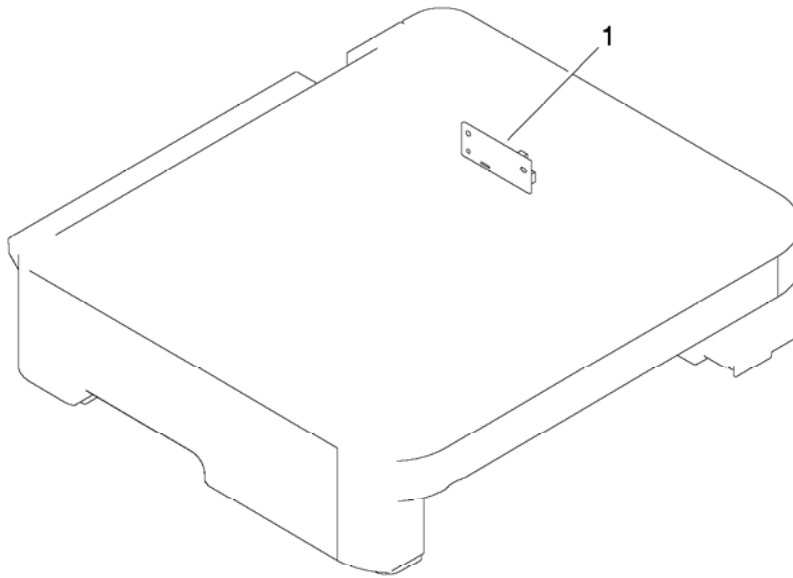


**Figure 7-21** Paper pickup feeder assembly (Tray 3)

**Table 7-23** Paper pickup feeder assembly (Tray 3)

Ref	Description	Part number	Qty
13	ROLLER, PAPER PICKUP	RC1-5440-000CN	1

## PCB ASS'Y LOCATION DIAGRAM (Tray 3)



**Figure 7-22** PCA assembly location in optional Tray 3