

PARTS CATALOG

**imageCLASS M F 3222/
3240/3241 LaserBase
M F 3 2 2 0 / 3 2 2 8 / 3 2 4 0
LASERSHOT MF3220**

Canon

Apr 26 2006

PREFACE

This Parts Catalog contains listings of parts used

Diagrams are provided with the listings to aid the service technician in identifying clearly, the item to be ordered.

Whenever ordering parts, consult this Parts Catalog for all of the information pertaining to each item. Be sure to include, in the Parts Request, the full item description, the item part number, and the quantity.

COPYRIGHT (C) 1999 CANON INC.

Use of this manual should be strictly supervised to avoid disclosure of confidential information.

Contents

NUMERICAL INDEX

imageCLASS M F 3222/3240/3241 LaserBase MF3220/3228/3240 LASERSHOT MF3220	1-1
--	-----

imageCLASS M F 3222/3240/3241 LaserBase MF3220/3228/3240 LASERSHOT MF3220

A	ASSEMBLY LOCATION DIAGRAM	2-1
001	ACCESSORIES	2-2
100	EXTERNAL COVERS, PANELS, ETC	2-3
101	INTERNAL COMPONENT	2-5
102	INTERNAL COMPONENTS 2	2-7
103	INTERNAL COMPONENTS 3	2-9
104	INTERNAL COMPONENTS 4	2-11
105	INTERNAL COMPONENTS 5	2-13
110	POWER SUPPLY ASS'Y	2-15
210	READER UNIT	2-17
300	CASSETTE	2-20
950	BOARD ASS'Y	2-22

NUMERICAL INDEX

imageCLASS M F 3222/3240/3241 LaserBase MF3220/3228/3240 LASERSH

PARTS NUMBER	FIGURE & KEY NO.	PARTS NUMBER	FIGURE & KEY NO.	PARTS NUMBER	FIGURE & KEY NO.
FC5-4775-000	102 - 1	FH2-7157-000	101 - 4	FM2-7892-000	950 - 1
FC5-4778-000	102 - 8	FH2-7192-000	950 - 4	FM2-7921-000	210 -
FC5-4799-000	103 - 2	FH5-1130-000	104 - 5	FM2-7922-000	210 -
FC5-4800-000	103 - 1	FH6-5132-000	104 - 1	FM2-7923-000	210 -
FC5-4805-000	103 - 6	FK2-2076-000	950 - 5	FM2-7924-000	210 -
FC5-4807-000	103 - 7	FK2-2863-000	110 - 1	FM2-7925-000	210 -
FC5-4808-000	101 - 1	FK2-2864-000	110 - 1	FM2-8082-000	210 - 1
FC5-4814-020	101 - 2	FK2-2865-000	950 - 3	FM2-8083-000	210 - 1
FC5-4827-000	105 - 1	FK2-2866-000	210 - 14	FM2-8084-000	210 - 1
FC5-4828-000	105 - 2	FK2-2869-000	210 - 6	FM2-8085-000	210 - 2
FC5-4829-000	105 - 3	FK2-2870-000	210 - 9	FM2-8086-000	210 - 1
FC5-4830-000	105 - 4	FK2-2961-000	950 - 1	FM2-8087-000	210 - 1
FC5-4832-000	105 - 6	FK2-2962-000	950 - 1	FM2-8088-000	210 - 1
FC5-4833-000	102 - 3	FK2-2963-000	950 - 6	FM2-8089-000	210 - 1
FC5-4834-000	105 - 7	FK2-2964-000	950 - 6	FM2-8090-000	210 - 1
FC5-4850-000	102 - 10	FK2-2965-000	001 - 1	FM2-8091-000	210 - 1
FC5-4860-000	105 - 17	FK2-2966-000	001 - 1	FM2-8092-000	210 - 1
FC5-4861-000	105 - 8	FK2-2967-000	001 - 1	FM2-9337-000	210 - 1
FC5-4862-000	105 - 9	FK2-2968-000	001 - 1	FM2-9338-000	210 -
FC5-4871-000	105 - 5	FK2-2969-000	001 - 1	FM2-9339-000	210 -
FC5-4874-000	104 - 17	FK2-2970-000	001 - 1	FM2-9340-000	210 -
FC5-4878-000	104 - 16	FK2-3184-000	950 - 6	FM2-9341-000	210 -
FC5-4882-000	104 - 18	FK2-3566-000	950 - 1	FM2-9342-000	210 -
FC5-4901-000	104 - 20	FL2-1042-000	103 - 4	FM2-9343-000	210 -
FC5-4908-040	300 - 9	FL2-1043-000	102 - 5	FM2-9344-000	210 - 2
FC5-4911-020	300 - 5	FL2-1044-000	105 - 13	FM2-9346-000	100 - 6
FC5-4913-020	300 - 6	FL2-1046-000	103 - 5	FM2-9348-000	210 -
FC5-4921-000	103 - 9	FL2-1047-000	300 - 3	FM2-9349-000	210 - 1
FC5-4928-030	300 - 7	FL2-1050-000	102 - 6	FM2-9350-000	210 - 2
FC6-2607-000	210 - 3	FL2-2886-000	100 - 1	FM3-0168-000	950 - 1
FC6-2608-000	210 - 4	FL2-4998-000	210 - 5	FM5-5273-000	110 - 4
FC6-2610-000	100 - 8	FL2-5237-000	210 - 5	FM5-5292-000	110 - 4
FC6-2615-000	100 - 5	FM2-1058-000	103 - 11	FM5-5294-000	110 - 4
FC6-2616-020	300 - 2	FM2-1069-000	104 - 2	FM5-5295-000	110 - 4
FC6-2638-000	100 - 2	FM2-1098-020	105 - 11	FM5-5296-000	110 - 4
FC6-2645-000	300 - 8	FM2-1099-000	105 - 11	FM5-5303-000	110 - 2
FC6-2656-000	001 - 3	FM2-1850-000	105 - 11	FM5-5304-000	103 - 3
FC6-2656-000	001 - 3	FM2-1853-000	102 - 2	FM5-5305-000	105 - 10
FC6-2656-000	001 - 3	FM2-2881-040	100 - 4	FU5-0698-000	105 - 16
FC7-1941-000	210 - 8	FM2-2883-050	300 - 1	FU5-0699-000	102 - 9
FC7-1942-000	210 - 13	FM2-2888-000	300 - 7	FU5-0700-000	104 - 6
FC7-1948-000	210 - 16	FM2-6948-000	100 - 6	FU5-0701-000	104 - 7
FC7-1951-000	210 - 17	FM2-6949-000	100 - 6	FU5-0702-000	104 - 8
FC7-1958-000	210 - 10	FM2-7798-000	101 - 3	FU5-0703-000	104 - 9
FC7-1959-000	210 - 10	FM2-7799-000	101 - 3	FU5-0704-000	104 - 10
FC7-1960-000	210 - 18	FM2-7800-000	101 - 3	FU5-0705-000	104 - 13
FC7-1962-000	100 - 3	FM2-7801-000	101 - 3	FU5-0707-000	104 - 3
FC7-1965-000	210 - 16	FM2-7802-000	110 - 5	FU5-0709-000	104 - 4
FC7-1966-000	100 - 14	FM2-7803-000	950 - 2	FU5-0710-000	104 - 14
FC7-2489-000	100 - 3	FM2-7804-000	100 - 12	FU5-0713-000	105 - 15
FC7-4791-000	210 - 16	FM2-7805-000	110 - 6	FU5-0714-000	104 - 11
FG3-3836-000	110 - 4	FM2-7891-000	950 - 1	FU5-0716-000	103 - 8

NUMERICAL INDEX

imageCLASS M F 3222/3240/3241 LaserBase MF3220/3228/3240 LASERSH

PARTS NUMBER	FIGURE & KEY NO.	PARTS NUMBER	FIGURE & KEY NO.	PARTS NUMBER	FIGURE & KEY NO.
FU5-2414-000	101 - 6	XB4-7400-807	101 - 501		
FU5-2425-000	105 - 14	XB4-7400-807	102 - 501		
FU5-2429-000	104 - 15	XB4-7400-807	103 - 501		
FU5-2431-000	104 - 19	XB4-7400-807	104 - 501		
FU5-2434-000	300 - 4	XB4-7400-807	105 - 501		
FU5-2435-020	103 -				
FU5-3515-000	210 - 19				
FU6-2796-000	210 - 20				
FU6-2797-000	210 - 15				
FU7-0446-000	210 - 11				
FU7-0447-000	210 - 12				
HC1-1589-000	100 - 13				
HC1-1624-000	100 - 10				
HC1-1947-000	100 - 11				
HC1-2008-000	300 - 8				
HH2-2824-000	950 - 7				
HK1-0544-000	950 - 9				
HK1-0547-000	950 - 8				
HK1-0550-000	950 - 10				
HK1-0559-000	950 - 11				
HM1-0654-000	103 - 11				
HM1-0655-030	103 - 10				
NPN	001 -				
NPN	100 -				
NPN	101 -				
NPN	102 -				
NPN	103 -				
NPN	104 -				
NPN	105 -				
NPN	110 -				
NPN	300 -				
NPN	950 -				
WE8-6218-000	210 - 7				
WG8-5624-000	100 - 9				
WT2-0204-000	101 - 7				
WT2-5865-000	950 - 12				
XA9-0476-000	210 - 21				
XA9-1386-000	100 - 7				
XA9-1386-000	101 - 5				
XA9-1386-000	102 - 4				
XA9-1386-000	104 - 12				
XA9-1386-000	105 - 18				
XA9-1386-000	110 - 3				
XA9-1502-000	102 - 7				
XA9-1502-000	105 - 12				
XB1-2300-407	210 - 502				
XB1-2300-407	950 - 501				
XB2-7300-607	103 - 502				
XB2-7300-607	104 - 502				
XB4-7300-807	210 - 501				
XB4-7300-807	300 - 501				
XB4-7400-807	100 - 501				

imageCLASS

M F 3222/3240/3241

LaserBase

MF3220/3228/3240

LASERSHOT MF3220

MF3220

Satera MF3220	F18-9411-000	JBA	100V
LASER SHOT MF3220	F18-9441-000	ABA	230V ASIA
LASER SHOT MF3220	F18-9460-000	CBA	230V CN
LASER SHOT MF3220	F18-9470-000	KBA	230V KR
LaserBase MF3220	F18-9491-000	BBA	230V EUR
LaserBase MF3220	F18-9491-000	EBA	230V EUR
LaserBase MF3220	F18-9493-000	NBA	230V EUR

MF3222

imageCLASS MF3222	F18-9442-000	PBA	230V ASIA
imageCLASS MF3222	F18-9461-000	TBA	230V CN

MF3240

imageCLASS MF3240	F18-9431-000	LBA	120V LTN
imageCLASS MF3240	F18-9431-000	UBA	120V US
imageCLASS MF3240	F18-9431-000	YBA	120V CA

imageCLASS MF3240	F18-9445-000	RBA	230V AU
LaserBase MF3240	F18-9492-000	VBA	230V EUR
MF3241			
imageCLASS MF3241	F18-9432-000	ZBA	120V US
MF3420			
LaserBase MF3420	F18-9492-000	WBA	230V EUR

Contents

A	ASSEMBLY LOCATION DIAGRAM	2-1
001	ACCESSORIES	2-2
100	EXTERNAL COVERS, PANELS, ETC	2-3
101	INTERNAL COMPONENT	2-5
102	INTERNAL COMPONENTS 2	2-7
103	INTERNAL COMPONENTS 3	2-9
104	INTERNAL COMPONENTS 4	2-11
105	INTERNAL COMPONENTS 5	2-13
110	POWER SUPPLY ASS'Y	2-15
210	READER UNIT	2-17
300	CASSETTE	2-20
950	BOARD ASS'Y	2-22

FIGURE A ASSEMBLY LOCATION DIAGRAM

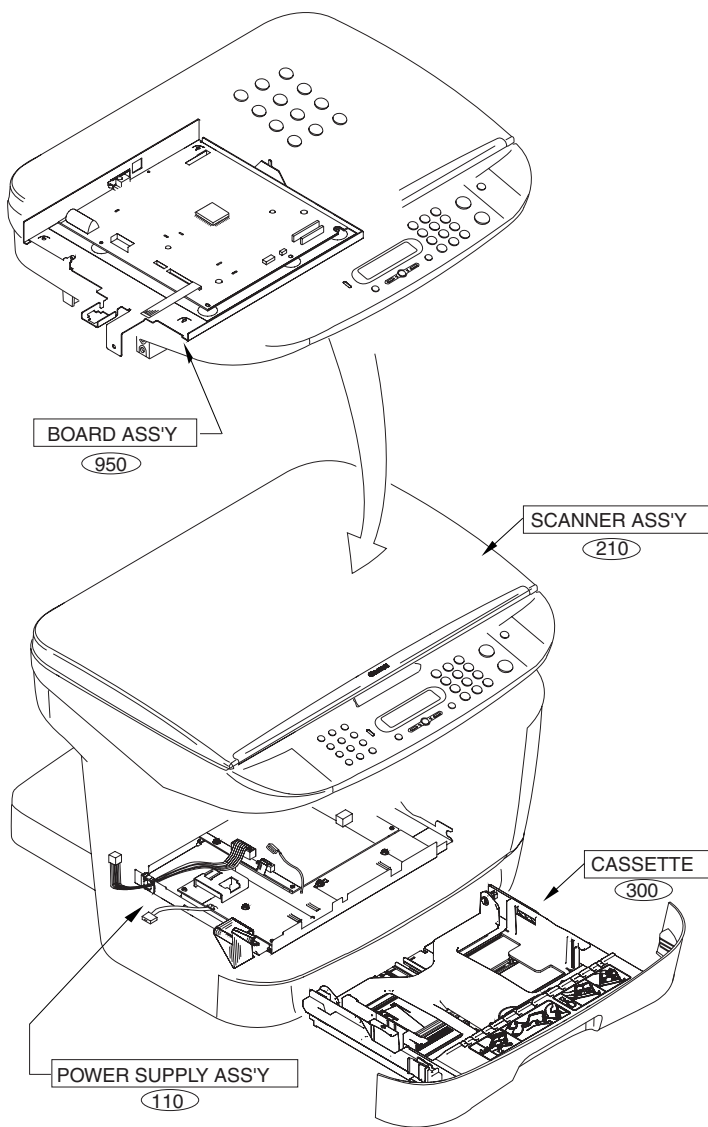


FIGURE 001 ACCESSORIES

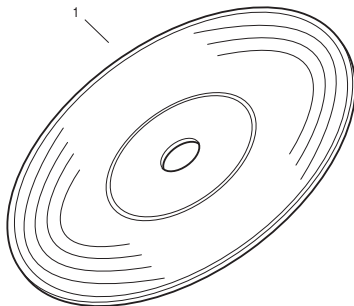


FIGURE & KEY NO.	PARTS NUMBER	RANK	Q'TY	DESCRIPTION	SERIAL NUMBER/REMARKS	SVC
Fig.001	NPN		RF	ACCESSORIES		
1	FK2-2965-000		1	CD-ROM, USER SOFTWARE	UBA,YBA,LBA,ZBA	
1	FK2-2966-000		1	CD-ROM, USER SOFTWARE	JBA	
1	FK2-2967-000		1	CD-ROM, USER SOFTWARE	BBA,EBA,VBA,WBA,NBA	
1	FK2-2968-000		1	CD-ROM, USER SOFTWARE	RBA	
1	FK2-2969-000		1	CD-ROM, USER SOFTWARE	ABA,CBA,KBA	
1	FK2-2970-000		1	CD-ROM, USER SOFTWARE	PBA,TBA	
3	FC6-2656-000		1	SHEET, NAME	PBA,TBA	
3	FC6-2656-000		1	SHEET, NAME	PBA,TBA	
3	FC6-2656-000		1	SHEET, NAME	PBA,TBA	

FIGURE 100 EXTERNAL COVERS, PANELS, ETC

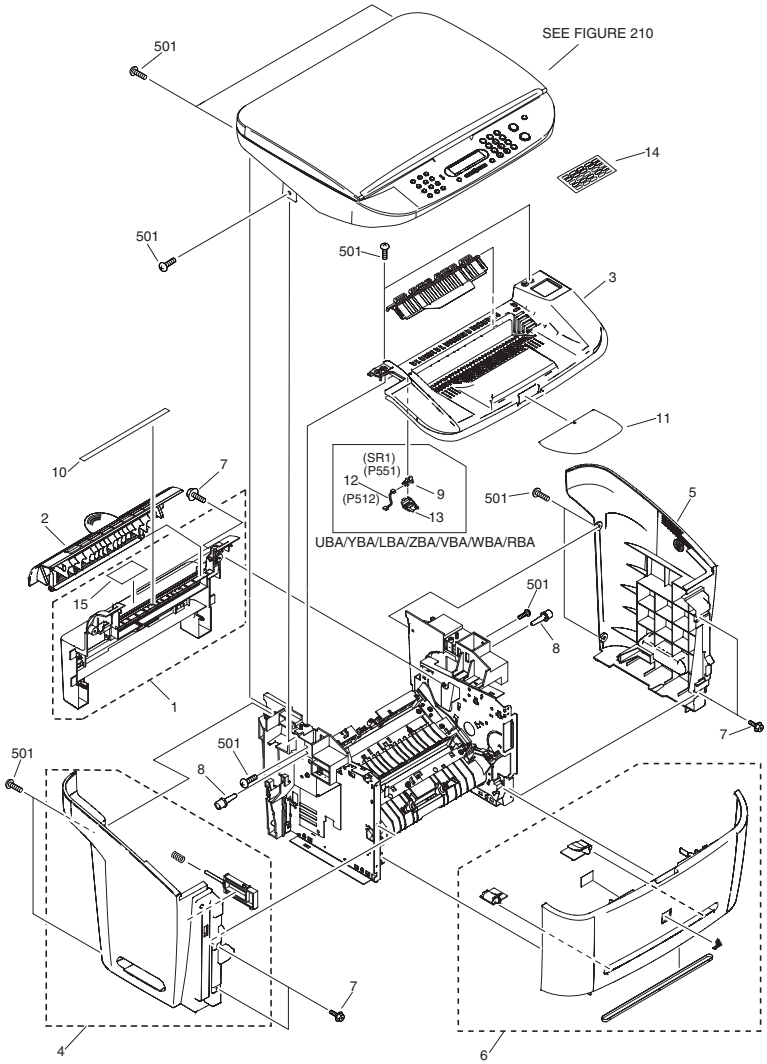


FIGURE & KEY NO.	PARTS NUMBER	RANK	Q'TY	DESCRIPTION	SERIAL NUMBER/REMARKS	SVC
Fig.100	NPN		RF	EXTERNAL COVERS, PANELS, ETC		
1	FL2-2886-000		1	REAR COVER ASSY	ABA,CBA,KBA,PBA,TBA, YBA,RBA,ZBA	
2	FC6-2638-000		1	COVER, FACE-UP		
3	FC7-1962-000		1	COVER TOP	EXCEPT NBA	
3	FC7-2489-000		1	COVER TOP	NBA	
4	FM2-2881-040		1	LEFT COVER UNIT		
5	FC6-2615-000		1	COVER, RIGHT		
6	FM2-6949-000		1	FRONT COVER UNIT	EXCEPT JBA,NBA	
6	FM2-6948-000		1	FRONT COVER UNIT	JBA	
6	FM2-9346-000		7	FRONT COVER UNIT	NBA	
7	XA9-1386-000		2	SCREW,RS,M3X8		
8	FC6-2610-000		1	PIVOT		
9	WG8-5624-000		1	IC, PHOTO INTERRUPTER	UBA,YBA,LBA,ZBA,VBA, WBA,RBA	
10	HC1-1624-000		1	LABEL,HIGH TEMP,CAUTION		
11	HC1-1947-000		1	TRAY, AUXILIARY		
12	FM2-7804-000		1	CABLE, PAPER FULL SENSOR	UBA,YBA,LBA,ZBA,VBA, WBA,RBA	
13	HC1-1589-000		1	HOLDER,OF-SENSOR	UBA,YBA,LBA,ZBA,VBA, WBA,RBA	
14	FC7-1966-000		AR	LABEL, DESTINATION	UBA,YBA,LBA,ZBA,VBA, WBA,RBA	
501	XB4-7400-807		AR	SCREW,TAPPING,TRUSS HEAD,M4X8		

FIGURE 101 INTERNAL COMPONENT

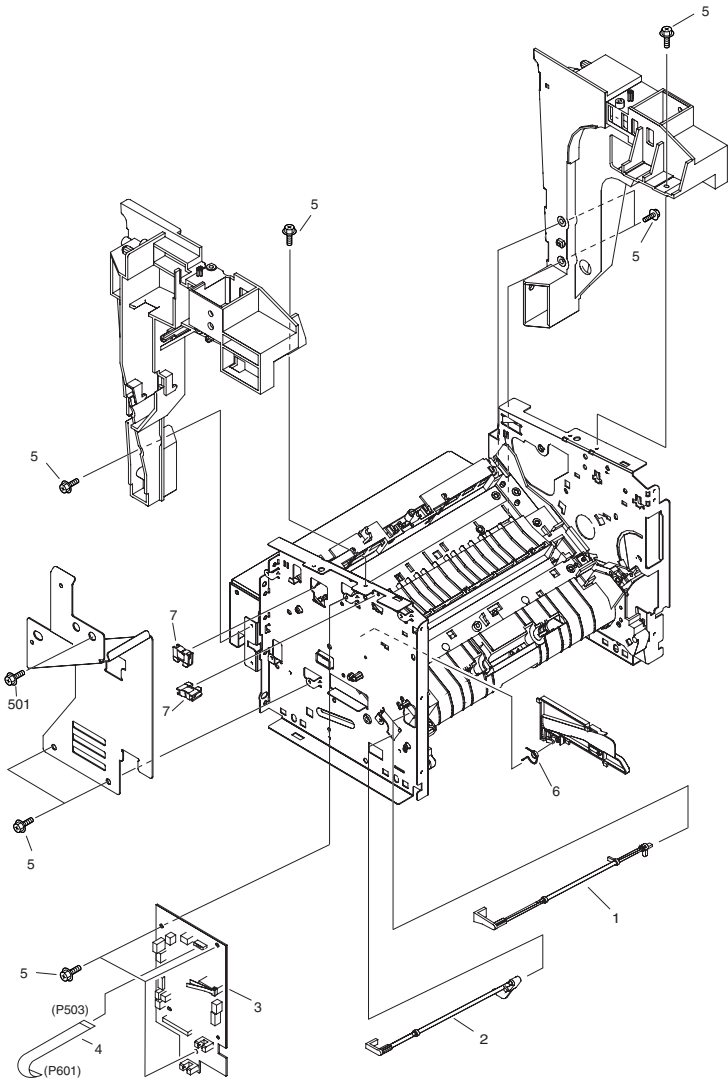


FIGURE & KEY NO.	PARTS NUMBER	RANK	Q'TY	DESCRIPTION	SERIAL NUMBER/REMARKS	SVC
Fig.101	NPN		RF	INTERNAL COMPONENT		
1	FC5-4808-000		1	FLAG, MANUAL FEED SENSOR		
2	FC5-4814-020		1	FLAG, CASSETTE SENSOR		
3	FM2-7799-000		1	ECNT BOARD ASS'Y	UBA,YBA,LBA,ZBA	
3	FM2-7798-000		1	ECNT BOARD ASS'Y	JBA	
3	FM2-7800-000		1	ECNT BOARD ASS'Y	BBA,EBA,ABA,PBA,CBA, TBA,KBA,NBA	
3	FM2-7801-000		1	ECNT BOARD ASS'Y	VBA,WBA,RBA	
4	FH2-7157-000		1	CABLE, FLAT		
5	XA9-1386-000		AR	SCREW,RS,M3X8		
6	FU5-2414-000		1	SPRING, TORSION		
7	WT2-0204-000		1	CLIP, CABLE		
501	XB4-7400-807		AR	SCREW,TAPPING,TRUSS HEAD,M4X8		

FIGURE 102
INTERNAL COMPONENTS 2

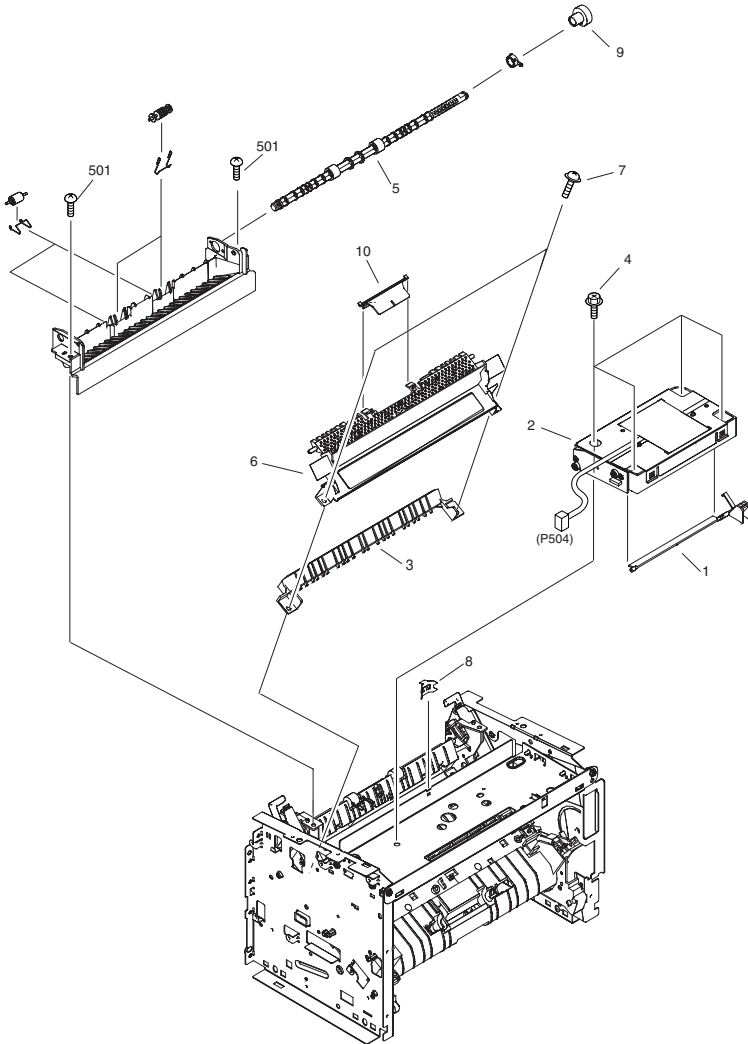


FIGURE & KEY NO.	PARTS NUMBER	R A N K	Q'TY	DESCRIPTION	SERIAL NUMBER/ REMARKS	S V C
Fig.102	NPN		RF	INTERNAL COMPONENTS 2		
1	FC5-4775-000		1	ARM, LASER SHUTTER		
2	FM2-1853-000		1	LASER, SCANNER UNIT		
3	FC5-4833-000		1	GUIDE, FIXING ENTRANCE		
4	XA9-1386-000		4	SCREW,RS,M3X8		
5	FL2-1043-000		1	ROLLER, FACE-DOWN DELIVERY		
6	FL2-1050-000		1	COVER, FIXING		
7	XA9-1502-000		2	SCREW, WWASHER, M4		
8	FC5-4778-000		1	PLATE, GROUNDING		
9	FU5-0699-000		1	GEAR, 19T		
10	FC5-4850-000		1	FLAG, ROLL PREVENTION		
501	XB4-7400-807		AR	SCREW,TAPPING,TRUSS HEAD,M4X8		

FIGURE 103 INTERNAL COMPONENTS 3

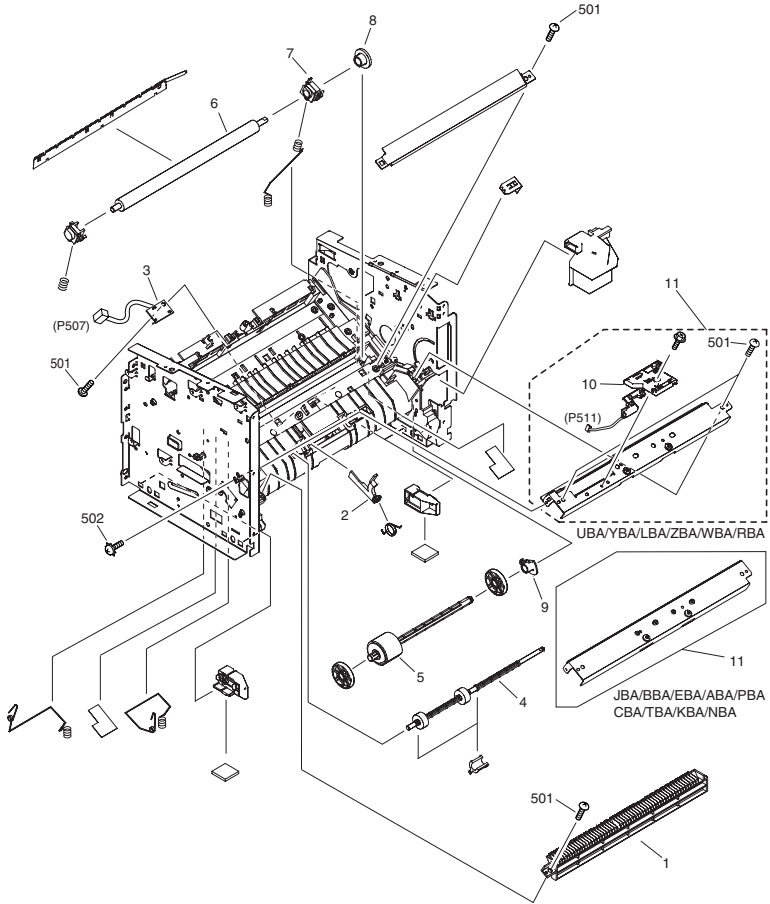


FIGURE & KEY NO.	PARTS NUMBER	RANK	Q'TY	DESCRIPTION	SERIAL NUMBER/REMARKS	SVC
Fig.103	NPN		RF	INTERNAL COMPONENTS 3		
1	FC5-4800-000		1	GUIDE,U-TURN		
2	FC5-4799-000		1	FLAG, REGIST. SENSOR		
3	FM5-5304-000		1	TOP SENSOR PCB UNIT		
4	FL2-1042-000		1	ROLLER, FEEDER		
5	FL2-1046-000		1	ROLLER, CASSETTE PICK-UP		
6	FC5-4805-000		1	ROLLER, TRANSFER		
7	FC5-4807-000		1	BUSHING, TRANSFER ROLLER, R		
8	FU5-0716-000		1	GEAR, 17T		
9	FC5-4921-000		1	BUSHING	UBA,YBA,LBA,ZBA,VBA, WBA,RBA	
10	HM1-0655-030		1	TONER SENSOR UNIT	JBA,BBA,EBA,ABA,PBA,P BA,CBA,TBA,KBA,NBA	
11	FM2-1058-000		1	FEEDER COLLAR HOLDER UNIT	UBA,YBA,LBA,ZBA,VBA, WBA,RBA	
11	HM1-0654-000		1	FEEDER COLLAR HOLDER UNIT		
501	XB4-7400-807		AR	SCREW,TAPPING,TRUSS HEAD,M4X8		
502	XB2-7300-607		AR	SCREW, M3X6		
	FU5-2435-020		1	SPRING, COMPRESSION		

FIGURE 104 INTERNAL COMPONENTS 4

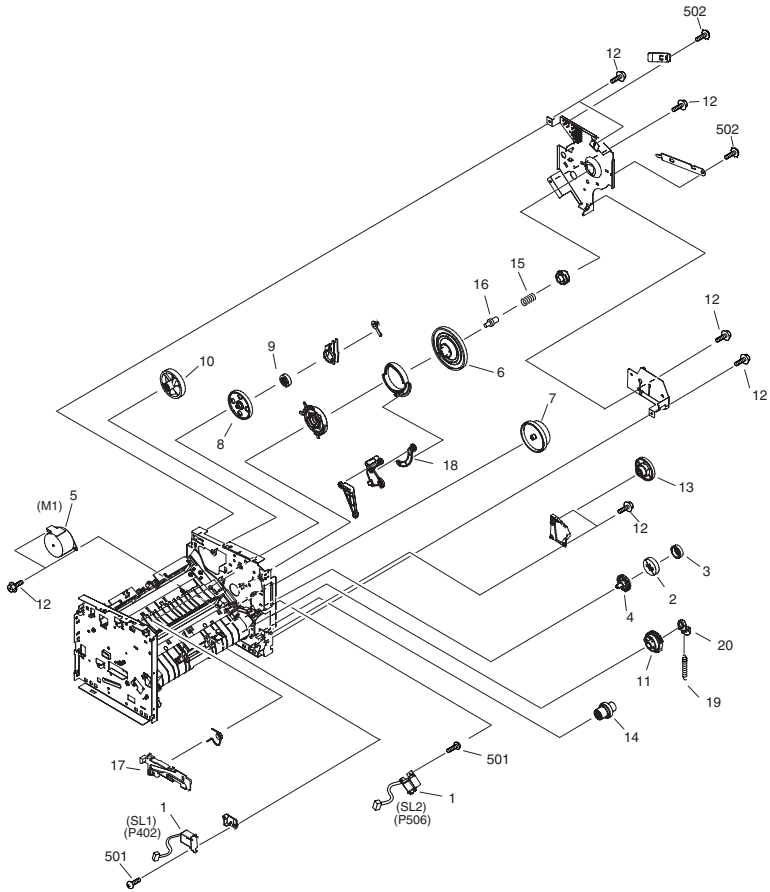


FIGURE & KEY NO.	PARTS NUMBER	R A N K	Q'TY	DESCRIPTION	SERIAL NUMBER/ REMARKS	S V C
Fig.104	NPN		RF	INTERNAL COMPONENTS 4		
1	FH6-5132-000		2	SOLENOID, PICK-UP		
2	FM2-1069-000		1	GEAR UNIT		
3	FU5-0707-000		1	GEAR, 51T		
4	FU5-0709-000		1	GEAR, 17T		
5	FH5-1130-000		1	MOTOR, STEPPING		
6	FU5-0700-000		1	GEAR, 163T		
7	FU5-0701-000		1	GEAR, 91T/115T		
8	FU5-0702-000		1	GEAR, 18T/107T		
9	FU5-0703-000		1	GEAR, 17T		
10	FU5-0704-000		1	GEAR, 55T		
11	FU5-0714-000		1	GEAR, 25T		
12	XA9-1386-000		9	SCREW, RS, M3X8		
13	FU5-0705-000		1	GEAR, 22T/86T		
14	FU5-0710-000		1	GEAR, 19T/35T		
15	FU5-2429-000		1	SPRING, DRUM CONTACT PIN		
16	FC5-4878-000		1	PIN, DRUM CONTACT		
17	FC5-4874-000		1	GUIDE, CARTRIDGE		
18	FC5-4882-000		1	ARM, LINK		
19	FU5-2431-000		1	SPRING, PICK-UP		
20	FC5-4901-000		1	COLLAR, CST SPRING		
501	XB4-7400-807		2	SCREW, TAPPING, TRUSS HEAD, M4X8		
502	XB2-7300-607		2	SCREW, M3X6		

FIGURE 105 INTERNAL COMPONENTS 5

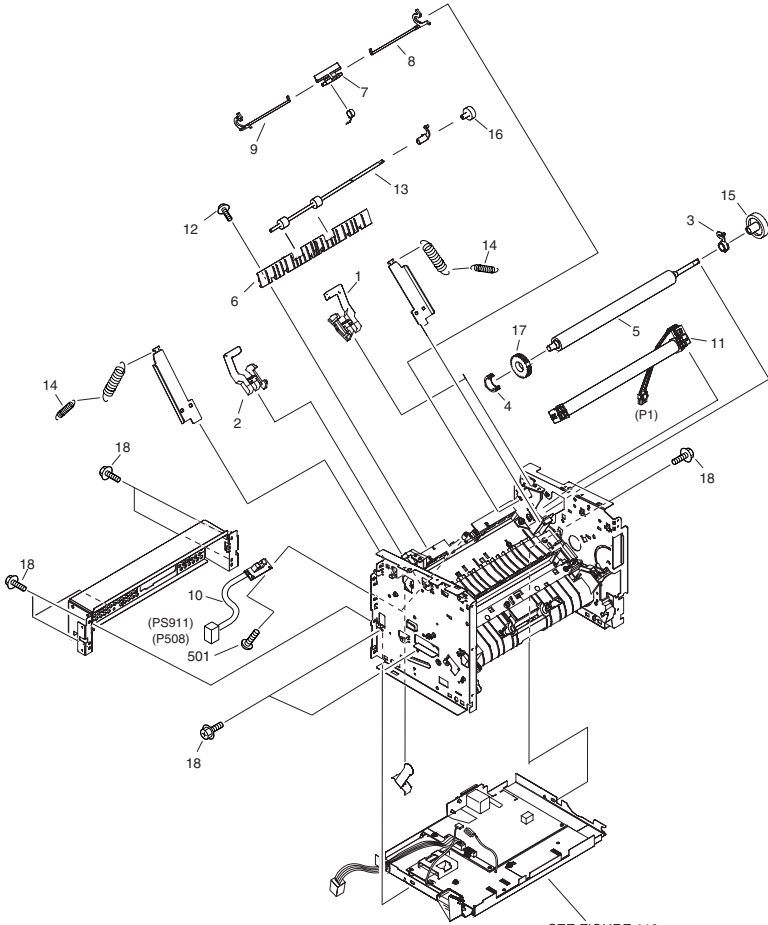


FIGURE & KEY NO.	PARTS NUMBER	R A N K	Q'TY	DESCRIPTION	SERIAL NUMBER/ REMARKS	S V C
Fig.105	NPN		1	INTERNAL COMPONENTS 5		
1	FC5-4827-000		1	LEVER, PRESSURE RELEASE, RIGHT		
2	FC5-4828-000		1	LEVER, PRESSURE RELEASE, LEFT		
3	FC5-4829-000		1	BUSHING, PRESSURE ROLLER, R		
4	FC5-4830-000		1	BUSHING, ROLLER PRESSURE, LEFT		
5	FC5-4871-000		1	ROLLER, PRESSURE		
6	FC5-4832-000		1	GUIDE, DELIVERY		
7	FC5-4834-000		1	FLAG, DELIVERY, SENSOR		
8	FC5-4861-000		1	LEVER, PRESS RELEASE SENS, R		
9	FC5-4862-000		1	LEVER, PRESS RELEASE SENS, LEFT		
10	FM5-5305-000		1	DELIVERY SENSOR PCB UNIT	UBA,YBA,LBA,ZBA	
11	FM2-1098-020		1	FILM UNIT	JBA	
11	FM2-1850-000		1	FILM UNIT	BBA,EBA,VBA,WBA,RBA, ABA,PBA,CBA,TBA,KBA, NBA	
11	FM2-1099-000		1	FILM UNIT		
12	XA9-1502-000		1	SCREW, W/WASHER, M4		
13	FL2-1044-000		1	ROLLER, FACE-UP		
14	FU5-2425-000		2	SPRING, PRESSURE GROUNDING		
15	FU5-0713-000		1	GEAR, 29T		
16	FU5-0698-000		1	GEAR, ROLL, FACE-UP		
17	FC5-4860-000		1	RUBBER, RING, CONDUCTIVE		
18	XA9-1386-000		8	SCREW,RS,M3X8		
501	XB4-7400-807		1	SCREW,TAPPING,TRUSS HEAD,M4X8		

FIGURE 110 POWER SUPPLY ASS'Y

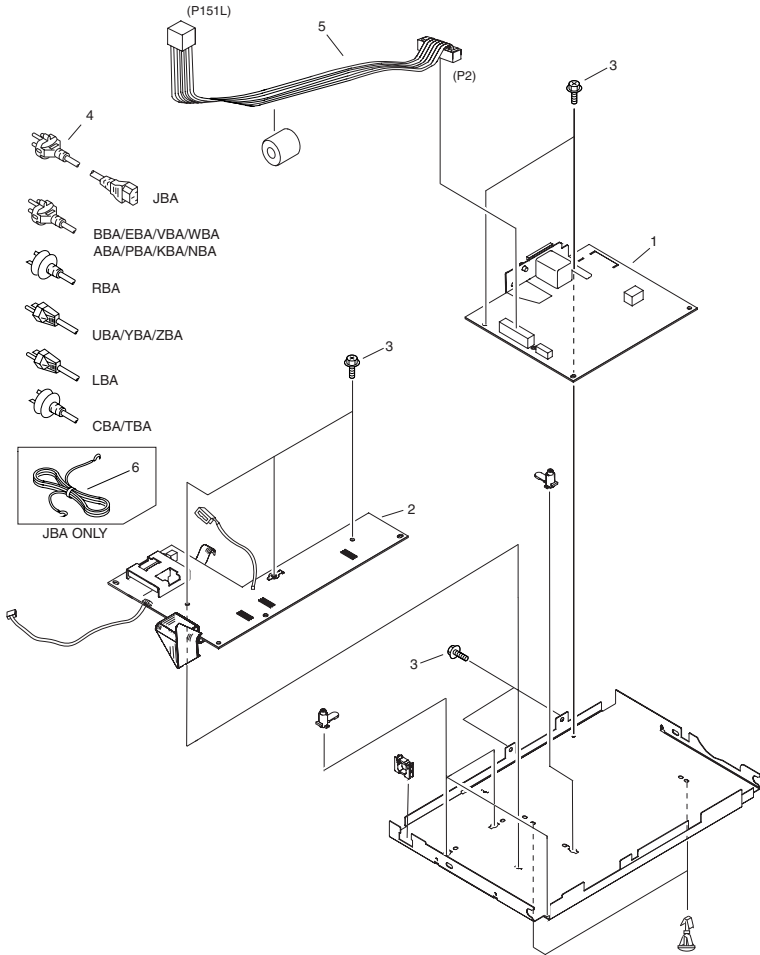
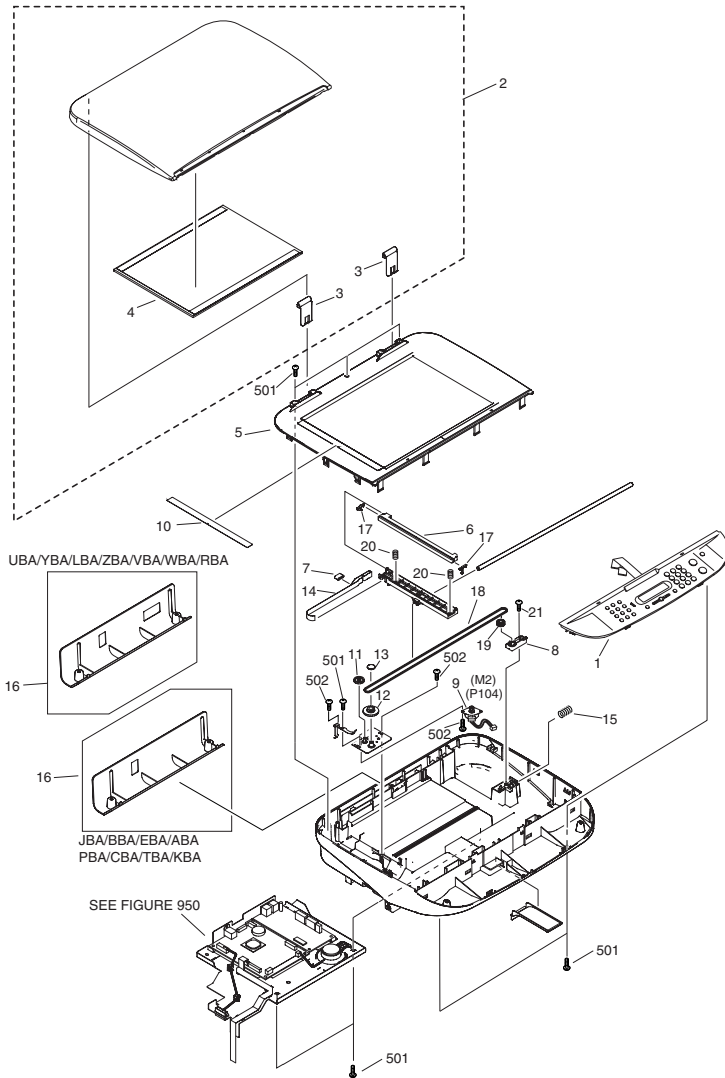


FIGURE & KEY NO.	PARTS NUMBER	R A N K	Q'TY	DESCRIPTION	SERIAL NUMBER/REMARKS	S V C
Fig.110	NPN		RF	POWER SUPPLY ASS'Y		
1	FK2-2863-000		1	POWER SUPPLY UNIT	UBA,YBA,LBA,ZBA,,JBA	
1	FK2-2864-000		1	POWER SUPPLY UNIT	BBA,EBA,VBA,WBA,RBA,ABA,PBA,CBA,TBA,KBA,NBA	
2	FM5-5303-000		1	HIGH-VOLTAGE PCB UNIT		
3	XA9-1386-000		7	SCREW,RS,M3X8		
4	FG3-3836-000		1	CORD,POWER	JBA	
4	FM5-5294-000		1	CORD, POWER	CBA,TBA	
4	FM5-5292-000		1	CORD, POWER	BBA,EBA,VBA,WBA,ABA,PBA,KBA,NBA	
4	FM5-5295-000		1	CORD, POWER	LBA	
4	FM5-5296-000		1	CORD, POWER	RBA	
4	FM5-5273-000		1	CORD, POWER	UBA,YBA,ZBA	
5	FM2-7802-000		1	HARNESS, SCNT-POWER		
6	FM2-7805-000		1	CORD, GROUNDING	JBA ONLY	

FIGURE 210 READER UNIT



NOTE : This assembly does not include the parts shown with key No. 1,2.

FIGURE & KEY NO.	PARTS NUMBER	R A N K	Q'TY	DESCRIPTION	SERIAL NUMBER/ REMARKS	S V C
Fig.210	FM2-7921-000		1	READER UNIT	UBA,YBA,LBA	
Fig.210	FM2-9338-000		1	READER UNIT	ZBA	
Fig.210	FM2-7925-000		1	READER UNIT	JBA	
Fig.210	FM2-7924-000		1	READER UNIT	BBA,EBA	
Fig.210	FM2-7922-000		1	READER UNIT	VBA,WBA	
Fig.210	FM2-7923-000		1	READER UNIT	RBA	
Fig.210	FM2-9339-000		1	READER UNIT	ABA	
Fig.210	FM2-9340-000		1	READER UNIT	PBA	
Fig.210	FM2-9341-000		1	READER UNIT	CBA	
Fig.210	FM2-9342-000		1	READER UNIT	TBA	
Fig.210	FM2-9343-000		1	READER UNIT	KBA	
Fig.210	FM2-9348-000		1	READER UNIT	NBA	
1	FM2-8086-000		1	OPERATION PANEL UNIT	UBA,YBA,LBA SEE NOTE	
1	FM2-8087-000		1	OPERATION PANEL UNIT	ZBA SEE NOTE	
1	FM2-8084-000		1	OPERATION PANEL UNIT	JBA SEE NOTE	
1	FM2-8083-000		1	OPERATION PANEL UNIT	BBA,EBA SEE NOTE	
1	FM2-8082-000		1	OPERATION PANEL UNIT	VBA,WBA SEE NOTE	
1	FM2-8088-000		1	OPERATION PANEL UNIT	RBA SEE NOTE	
1	FM2-8091-000		1	OPERATION PANEL UNIT	ABA SEE NOTE	
1	FM2-8092-000		1	OPERATION PANEL UNIT	PBA SEE NOTE	
1	FM2-8089-000		1	OPERATION PANEL UNIT	CBA SEE NOTE	
1	FM2-8090-000		1	OPERATION PANEL UNIT	TBA SEE NOTE	
1	FM2-9337-000		1	OPERATION PANEL UNIT	KBA SEE NOTE	
1	FM2-9349-000		1	OPERATION PANEL UNIT	NBA SEE NOTE	
2	FM2-8085-000		1	DOCUMENT COVER ASS'Y	UBA,YBA,LBA,ZBA,JBA,B BA,EBA,VBA,WBA,RBA,P BA,TBA SEE NOTE	
2	FM2-9344-000		1	DOCUMENT COVER ASS'Y	ABA,CBA,KBA SEE NOTE	
2	FM2-9350-000		1	DOCUMENT COVER ASS'Y	NBA SEE NOTE	
3	FC6-2607-000		2	HINGE		
4	FC6-2608-000		1	SHEET, DOCUMENT PRESSUR		
5	FL2-4998-000		1	TOP COVER ASS'Y	EXCEPT NBA	
5	FL2-5237-000		1	TOP COVER ASS'Y	NBA	

FIGURE & KEY NO.	PARTS NUMBER	R A N K	Q'TY	DESCRIPTION	SERIAL NUMBER/ REMARKS	S V C
6	FK2-2869-000		1	CONTACT IMAGE SENSOR		
7	WE8-6218-000		1	CORE, FERRITE		
8	FC7-1941-000		1	HOLDER, PULLEY		
9	FK2-2870-000		1	MOTOR,STEPPING		
10	FC7-1958-000		1	PLATE, INDEX	EXCEPT JBA	
10	FC7-1959-000		1	PLATE, INDEX	JBA	
11	FU7-0446-000		1	GEAR,18T/45T		
12	FU7-0447-000		1	GEAR,20T/68T		
13	FC7-1942-000		1	STOPPER, BELT		
14	FK2-2866-000		1	CABLE, FLAT		
15	FU6-2797-000		1	SPRING, COMPRESSION		
16	FC7-1948-000		1	COVER, CONNECTOR	UBA,YBA,LBA,ZBA,VBA, WBA,RBA	
16	FC7-1965-000		1	COVER, CONNECTOR	JBA,BBA,EBA,ABA,PBA, CBA,TBA,KBA	
16	FC7-4791-000		1	COVER, CONNECTOR	NBA	
17	FC7-1951-000		2	SPACER, CIS		
18	FC7-1960-000		1	BELT, TIMING		
19	FU5-3515-000		1	PULLEY, IDLER		
20	FU6-2796-000		2	SPRING, COMPRESSION		
21	XA9-0476-000		1	SCREW, TP M3X8		
501	XB4-7300-807		11	SCREW, TAP TIGHT, BINDING HEAD		
502	XB1-2300-407		2	SCREW, BH3X4 (S)		

FIGURE 300 CASSETTE

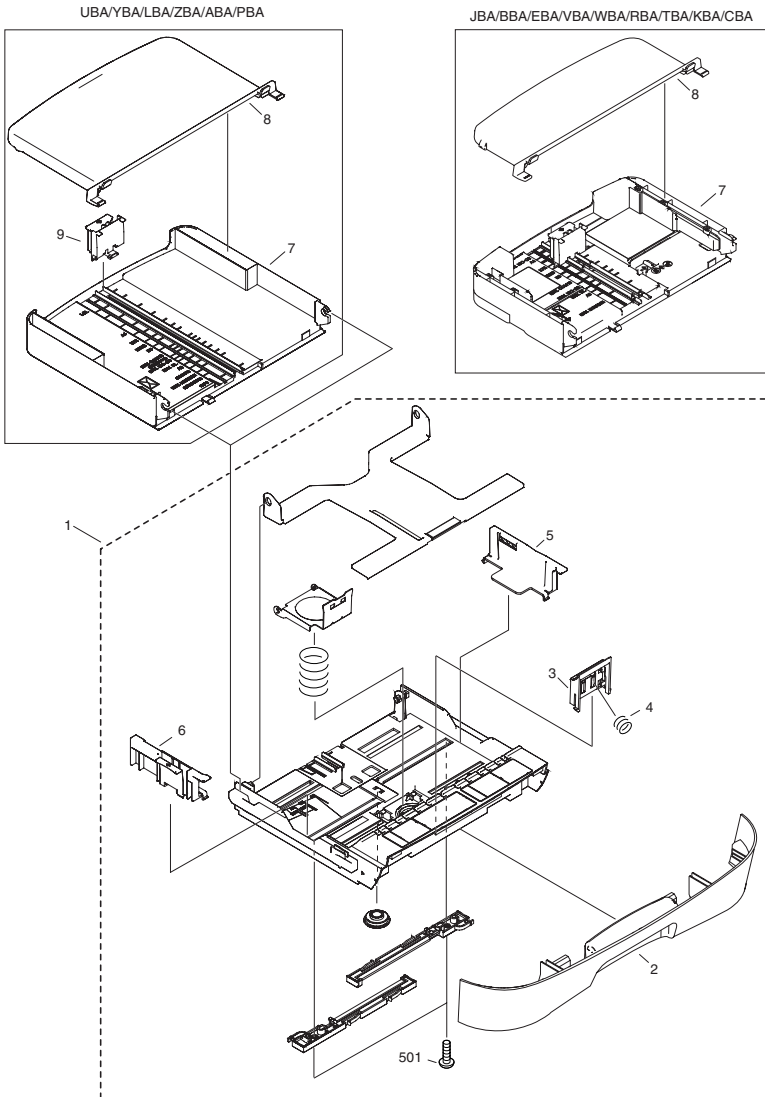


FIGURE & KEY NO.	PARTS NUMBER	RANK	Q'TY	DESCRIPTION	SERIAL NUMBER/REMARKS	SVC
Fig.300	NPN		RF	CASSETTE		

FIGURE & KEY NO.	PARTS NUMBER	R A N K	Q'TY	DESCRIPTION	SERIAL NUMBER/ REMARKS	S V C
1	FM2-2883-050		1	CASSETTE UNIT		
2	FC6-2616-020		1	COVER, CASSETTE FRONT		
3	FL2-1047-000		1	PAD, SEPARATION		
4	FU5-2434-000		1	SPRING, PAD		
5	FC5-4911-020		1	PLATE, SIDE LIMIT, RIGHT		
6	FC5-4913-020		1	PLATE, SIDE LIMIT, LEFT		
7	FM2-2888-000		1	CASSETTE EXTENSION UNIT	UBA,YBA,LBA,ZBA,ABA, PBA	
7	FC5-4928-030		1	TRAY, CASSETTE EXTENSION	JBA,BBA,EBA,VBA,WBA, RBA,TBA,KBA,CBA,NBA	
8	HC1-2008-000		1	COVER, CASSETTE UPPER	JBA,BBA,EBA,VBA,WBA, RBA,CBA,TBA,KBA,NBA	
8	FC6-2645-000		1	COVER, CASSETTE UPPER	UBA,YBA,LBA,ZBA,ABA, PBA	
9	FC5-4908-040		1	PLATE,BACK END LIMIT	UBA,YBA,LBA,ZBA,ABA, PBA	
501	XB4-7300-807		2	SCREW, TAP TIGHT, BINDING HEAD		

FIGURE 950 BOARD ASS'Y

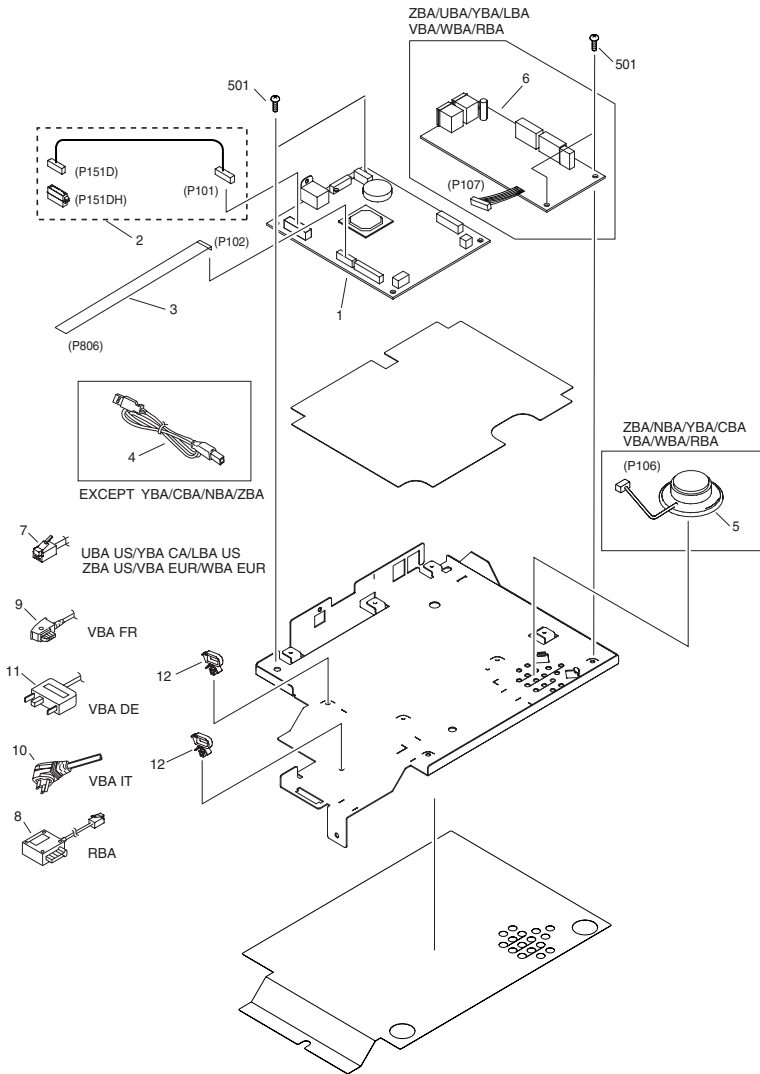


FIGURE & KEY NO.	PARTS NUMBER	R A N K	Q'TY	DESCRIPTION	SERIAL NUMBER/ REMARKS	S V C
Fig.950	NPN		RF	BOARD ASS'Y		
1	FM2-7892-000		1	SCNT BOARD ASS'Y	UBA,YBA,LBA	
1	FK2-2962-000		1	SCNT BOARD ASS'Y	JBA	
1	FK2-2961-000		1	SCNT BOARD ASS'Y	BBA,EBA,ABA,CBA,KBA, NBA	
1	FM2-7891-000		1	SCNT BOARD ASS'Y	VBA,WBA,RBA	
1	FM3-0168-000		1	SCNT BOARD ASS'Y	ZBA	
1	FK2-3566-000		1	SCNT BOARD ASS'Y	PBA,TBA	
2	FM2-7803-000		1	HARNESS, SCNT-POWER RELAY		
3	FK2-2865-000		1	CABLE, FLAT		
4	FH2-7192-000		1	CABLE,USB	EXCEPT YBA,LBA,UBA,ZBA	
5	FK2-2076-000		1	SPEAKER	VBA,WBA,RBA,ZBA,UBA, YBA,LBA	
6	FK2-2963-000		1	NCU PCB ASSEMBLY	ZBA,UBA,YBA,LBA	
6	FK2-2964-000		1	NCU PCB ASSEMBLY	VBA,WBA	
6	FK2-3184-000		1	NCU PCB ASSEMBLY	RBA	
7	HH2-2824-000		1	MODULAR CORD	UBA US,YBA CA,LBA US,ZBA US,VBA EUR,WBA EUR	
8	HK1-0547-000		1	MODULAR CORD	VBA FR	
9	HK1-0544-000		1	MODULAR CORD	VBA DE	
10	HK1-0550-000		1	CORD, MODULAR	VBA IT	
11	HK1-0559-000		1	MODULAR CORD	RBA	
12	WT2-5865-000		2	CLIP CLAMP, WIRE		
501	XB1-2300-407		7	SCREW, BH3X6(S)		

Prepared by
OIP HFE Promotion Center
CANON INC.

Canon